

# R152SV

**Spare parts**

**Ersatzteile**

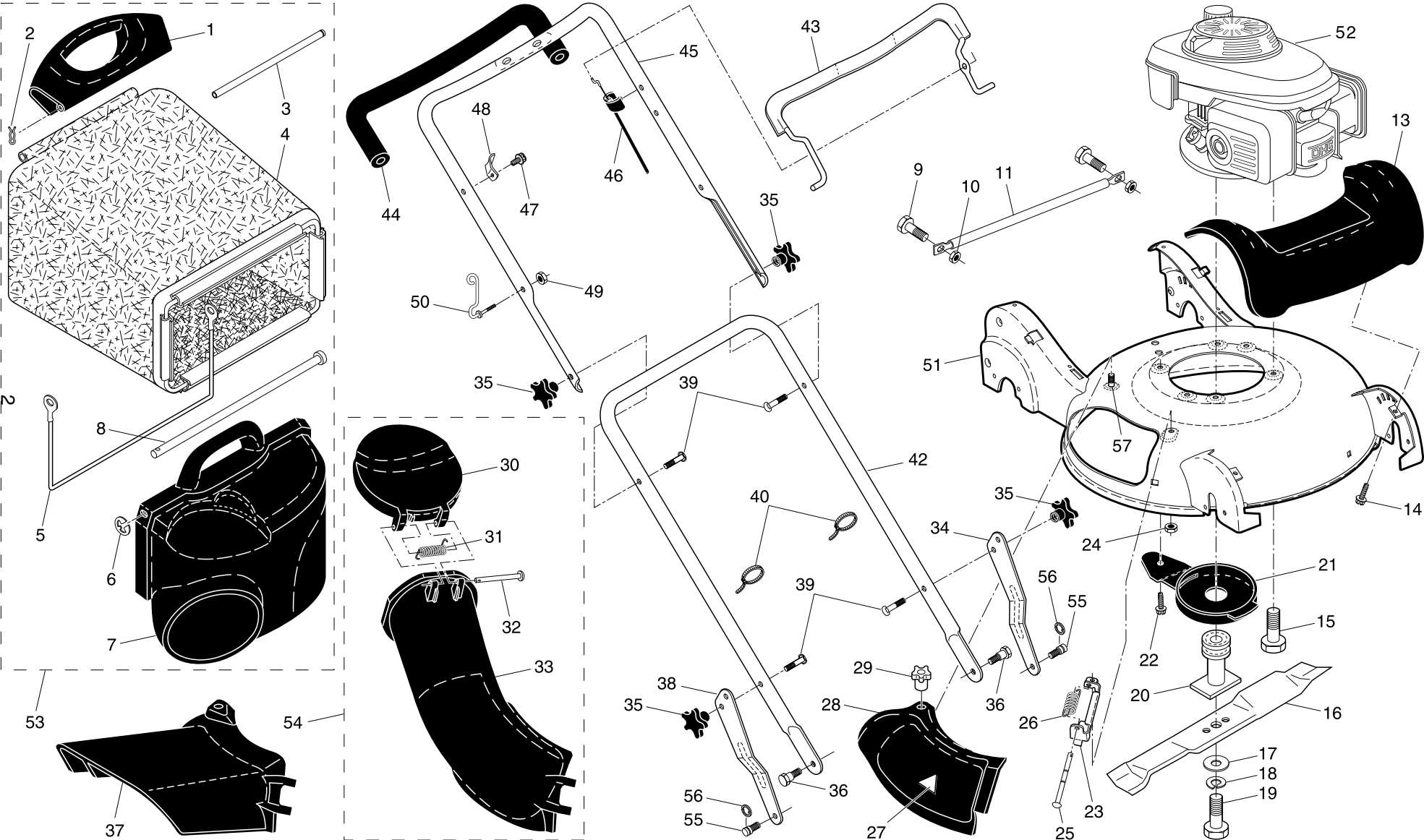
**Pièces détachées**

**Reserve onderdelen**

**Repuestos**

**Reservdelar**

**ROTARY LAWN MOWER - - CUSTOMER MODEL NUMBER R152SV (95417021702) PRODUCT NO. 954 17 02-17**

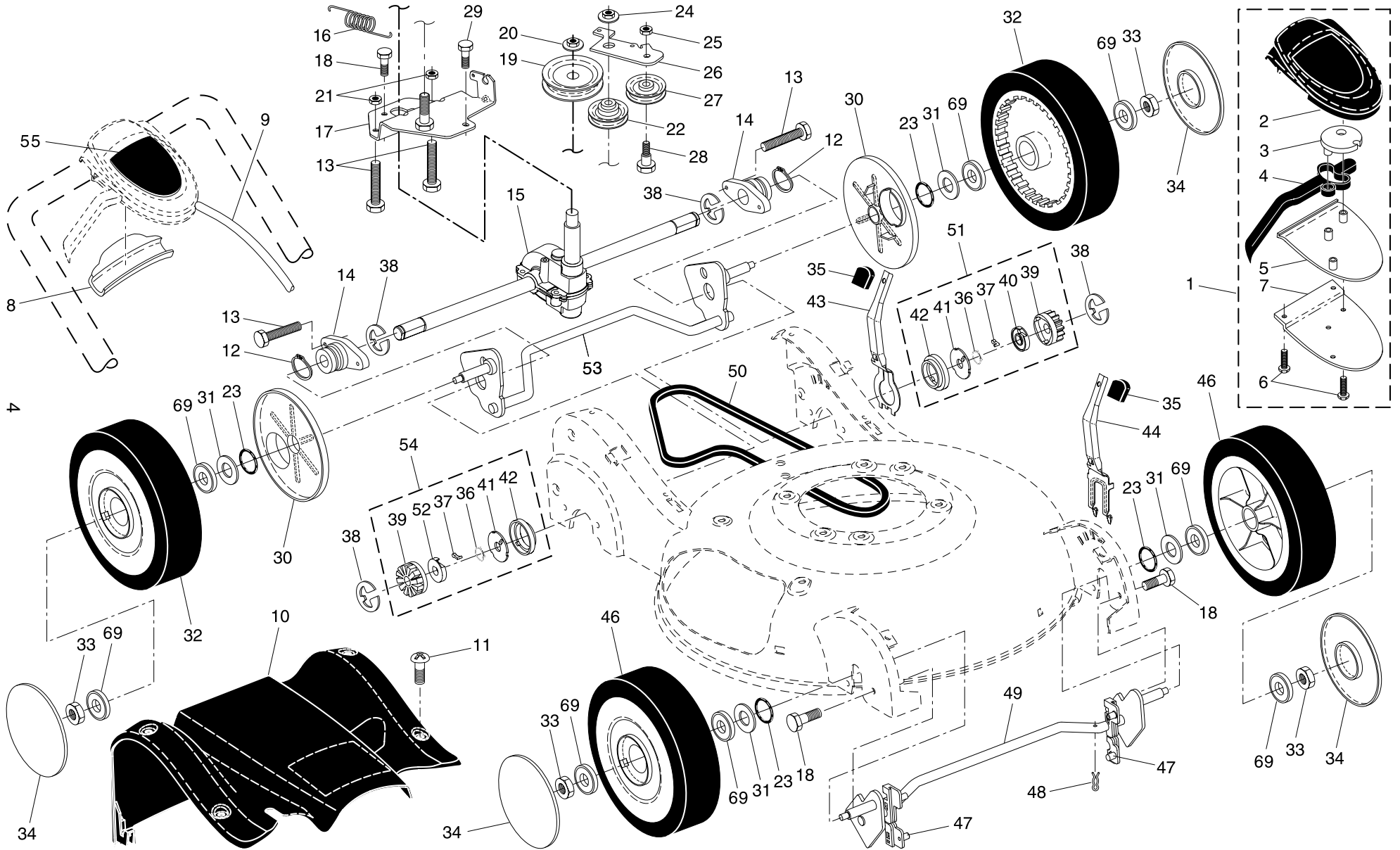


# ROTARY LAWN MOWER - - CUSTOMER MODEL NUMBER **R152SV** (95417021702) PRODUCT NO. 954 17 02-17

KEY NO.	PART NO.	DESCRIPTION	KEY NO.	PART NO.	DESCRIPTION
1	532 19 05-82	Handle, Grassbag, Rear	31	532 18 34-78	Spring, Door, Discharge Chute
2	532 06 53-22	Hairpin Cotter	32	532 18 34-45	Rod, Door, Discharge Chute
3	532 18 34-83	Rod, Rear Handle, Grassbag	33	532 19 05-78	Discharge Chute, Plastic
4	532 19 40-86	Grassbag	34	532 19 06-19	Adjustment Bracket, Lower Handle, LH
5	532 18 85-06	Frame, Grassbag	35	532 18 55-88	Knob, Star
6	812 00 00-14	E-Ring	36	532 18 34-65	Bolt, Shoulder
7	532 19 05-81	Door, Grassbag	37	532 18 59-96	Deflector, Discharge
8	532 18 34-79	Rod, Pivot	38	532 19 06-21	Adjustment Bracket, Lower Handle, RH
9	872 14 04-05	Bolt	39	532 19 15-74	Bolt, Handle
10	873 80 04-00	Nut, Hex, Nylock 1/4-20	40	532 06 64-26	Wire Tie
11	532 19 06-92	Tube, Rear Skirt	42	532 18 70-96	Handle Assembly, Lower
13	532 19 05-19	Cover, Front	43	532 18 62-98	Bail, Control
14	532 18 45-72	Screw, Hex Washer Head	44	532 18 27-48	Grip, Foam
15	532 15 04-06	Bolt, Engine Mounting	45	532 18 62-96	Handle Assembly, Upper (Includes Foam Grip)
16	532 16 58-33	Blade, 21"	46	532 16 43-22	Cable, Engine Zone Control
17	532 85 10-74	Washer, Hardened	47	532 75 06-34	Screw
18	532 85 02-63	Washer, Lock	48	532 12 52-03	Bracket, Upstop
19	532 19 17-60	Bolt, Hex Head, Grade 8 3/8-24	49	532 13 20-04	Nut, Hex
20	532 18 67-66	Adapter, Blade	50	532 18 85-01	Rope Guide
21	532 19 05-16	Debris Shield	51	532 19 06-10	Kit, Housing
22	817 60 04-06	Screw, Hex Head, Serrated	52	- - -	Engine, Honda, Model Number GCV160 (Order parts from Engine Manufacturer)
23	532 18 36-09	Mounting Bracket, Mulcher Door	53	532 19 40-87	Grassbag Assembly, Complete
24	532 75 11-52	Nut, Hex	54	532 18 90-14	Discharge Chute Assembly, Complete
25	532 18 34-45	Rod, Hinge	55	532 18 86-28	Stud, Shoulder, T45
26	532 18 34-46	Spring, Mulcher Door	56	812 00 00-58	E-Ring, T45
27	532 18 21-66	Decal, Danger	57	<b>532 18 86-34</b>	Stud, Threaded
28	532 19 05-15	Mulcher Door	--	532 19 59-87	Opeator's Manual, European
29	532 18 34-47	Knob	--	532 19 59-88	Opeator's Manual, Scandinavian
30	532 19 05-80	Door, Discharge Chute			

**NOTE:** All component dimensions given in U.S. inches. 1 inch = 25.4 mm. **IMPORTANT:** Use only Original Equipment Manufacturer (O.E.M.) replacement parts. Failure to do so could be hazardous, damage your lawn mower and void your warranty.

# ROTARY LAWN MOWER - - CUSTOMER MODEL NUMBER **R152SV** (95417021702) PRODUCT NO. 954 17 02-17



# ROTARY LAWN MOWER - - CUSTOMER MODEL NUMBER **R152SV** (95417021702) PRODUCT NO. 954 17 02-17

**Correction:**

**Key No.**

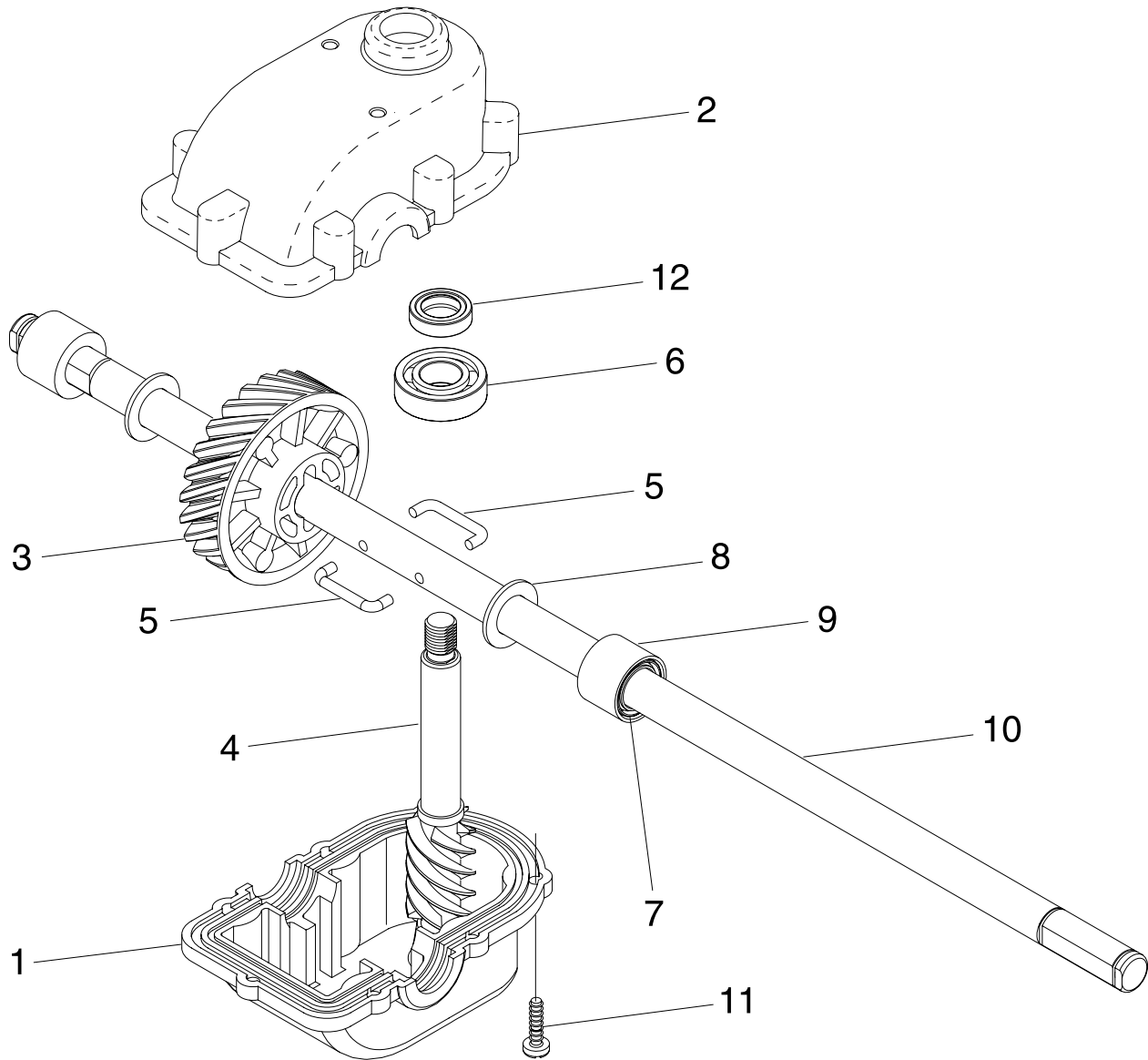
- 1 **532 19 70-12** Drive Control Assembly (Includes Cable)
- 2 **532 19 57-61** Cover, Drive Control, Top
- 5 **532 19 57-62** Cover, Drive Control, Bottom
- 9 **532 19 70-11** Cable, Drive Control

KEY NO.	PART NO.	DESCRIPTION	KEY NO.	PART NO.	DESCRIPTION
1	<b>532 19 67-54</b>	Drive Control Assembly (Includes Cable)	29	817 06 04-10	Screw 1/4-20 x 1/16
2	<b>532 18 82-79</b>	Cover, Drive Control, Top	30	532 18 34-57	Cover, Dust, Wheel
3	532 18 73-53	Pulley, Drive Control	31	532 08 83-48	Washer, Flat 3/8
4	532 19 02-83	Lever, Drive Control (blue)	32	532 19 26-19	Wheel Assembly, Rear 9 x 2-1/4
5	<b>532 18 82-78</b>	Cover, Drive Control, Bottom	33	532 08 39-23	Nut, Hex
6	532 18 16-98	Screw, Torx Head #8-5/8	34	532 18 36-95	Hubcap
7	532 18 70-97	Bracket, Mounting, Drive Control	35	532 18 59-94	Knob
8	532 18 62-97	Cap, Drive Control, Bottom	36	532 18 82-91	Spring, Torsion
9	<b>532 18 82-80</b>	Cable, Drive Control	37	532 17 50-98	Pawl
10	532 19 05-65	Cover Assembly, Drive	38	812 00 00-58	E-Ring
11	532 18 45-71	Screw	39	532 17 51-03	Gear
12	812 00 00-12	Ring, Retaining	40	532 17 51-05	Retainer, Drive, LH
13	532 18 34-50	Screw	41	532 17 51-04	Disc, Drive
14	532 18 71-20	Bearing / Axle Support	42	532 18 41-72	Seal, Friction
15	532 18 82-94	Gear Case Assembly (See Breakdown)	43	532 19 05-20	Lever, Selector, Wheel Height, Rear
16	<b>532 19 41-24</b>	Spring, Return	44	532 19 05-18	Lever, Selector, Wheel Height, Front
17	532 19 61-91	Bracket, Gear Case / Drive Pulley	45	532 16 34-09	Screw
18	532 16 34-09	Screw	46	532 19 22-30	Wheel Assembly, Front 9 x 2-1/4
19	532 18 94-08	Pulley, Drive	47	532 18 34-38	Bushing, Front Axle
20	532 13 20-10	Nut, Hex, Flangelock	48	532 16 96-75	Retainer, Hairpin Cotter
21	532 13 20-04	Nut, Hex	49	<b>532 19 64-69</b>	Torque Shaft Assembly, Front
22	<b>532 19 37-91</b>	Pulley Assembly, V-Groove	50	532 18 36-88	Belt, Drive
23	532 18 81-52	O-Ring	51	532 18 83-31	Pinion Assembly, LH
24	873 35 05-00	Nut, Hex, Flangelock	52	532 17 51-02	Retainer, Drive, RH
25	873 93 05-00	Nut, Hex, Lock	53	532 19 59-95	Rear Axle Assembly
26	<b>532 19 65-42</b>	Idler Arm	54	532 18 83-30	Pinion Assembly, RH
27	532 16 60-43	Pulley	55	532 18 93-78	Decal, Drive Control
28	532 16 08-29	Bolt, Hex Head, Shoulder	69	532 75 10-68	Bearing, Ball (Wheel)

5

**NOTE:** All component dimensions given in U.S. inches. 1 inch = 25.4 mm. **IMPORTANT:** Use only Original Equipment Manufacturer (O.E.M.) replacement parts. Failure to do so could be hazardous, damage your lawn mower and void your warranty.

**ROTARY LAWN MOWER - - CUSTOMER MODEL NUMBER R152SV  
(95417021702) PRODUCT NO. 954 17 02-17  
GEARCASE ASSEMBLY - PART NUMBER 532 18 82-94**



KEY NO.	PART NO.	DESCRIPTION
1	532 18 75-30	Case, Lower
2	532 19 12-45	Case, Upper
3	532 18 75-32	Gear, 24 Teeth
4	532 19 12-46	Shaft, Worm
5	532 18 35-05	Wireform
6	532 18 35-06	Bearing, Ball
7	532 18 35-08	Seal, Output Shaft
8	532 18 35-09	Washer
9	532 18 35-11	Bushing
10	532 19 12-47	Shaft, Output
11	532 18 35-13	Screw
12	532 18 35-14	Seal, Worm Shaft
--	532 75 03-69	Grease, Texaco Starplex Premium 1 (Do not substitute) (1.4 ounce capacity)

**NOTE:** All component dimensions given in U.S. inches. 1 inch = 25.4 mm.  
**IMPORTANT:** Use only Original Equipment Manufacturer (O.E.M.) replacement parts.  
Failure to do so could be hazardous, damage your lawn mower and void your warranty.