

# R53SVW

**Spare parts**

**Ersatzteile**

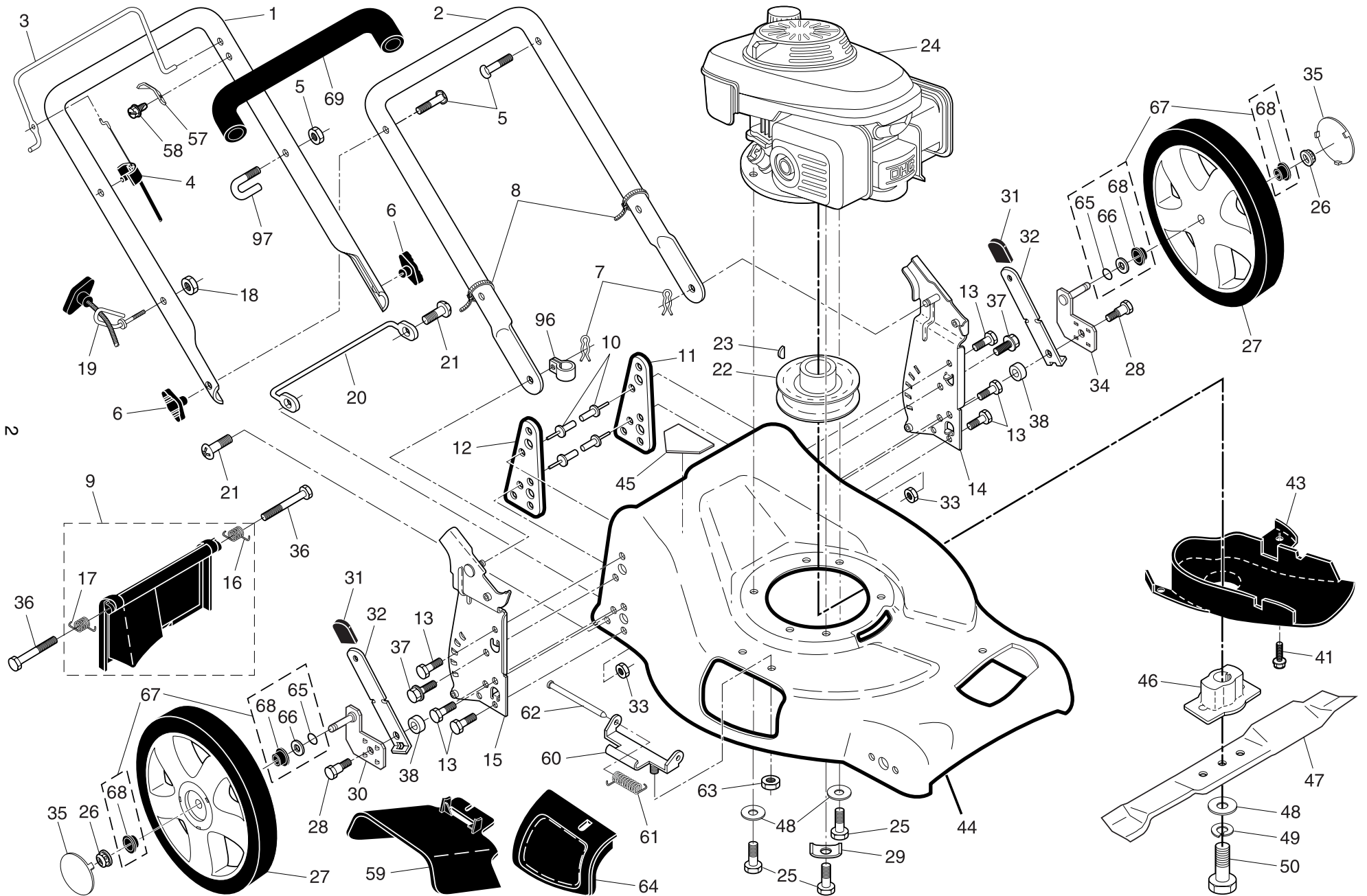
**Pièces détachées**

**Reserve onderdelen**

**Repuestos**

**Reservdelar**

# ROTARY LAWN MOWER - - CUSTOMER MODEL NUMBER R53SVW (95417024301) PRODUCT NO. 954 17 02-43

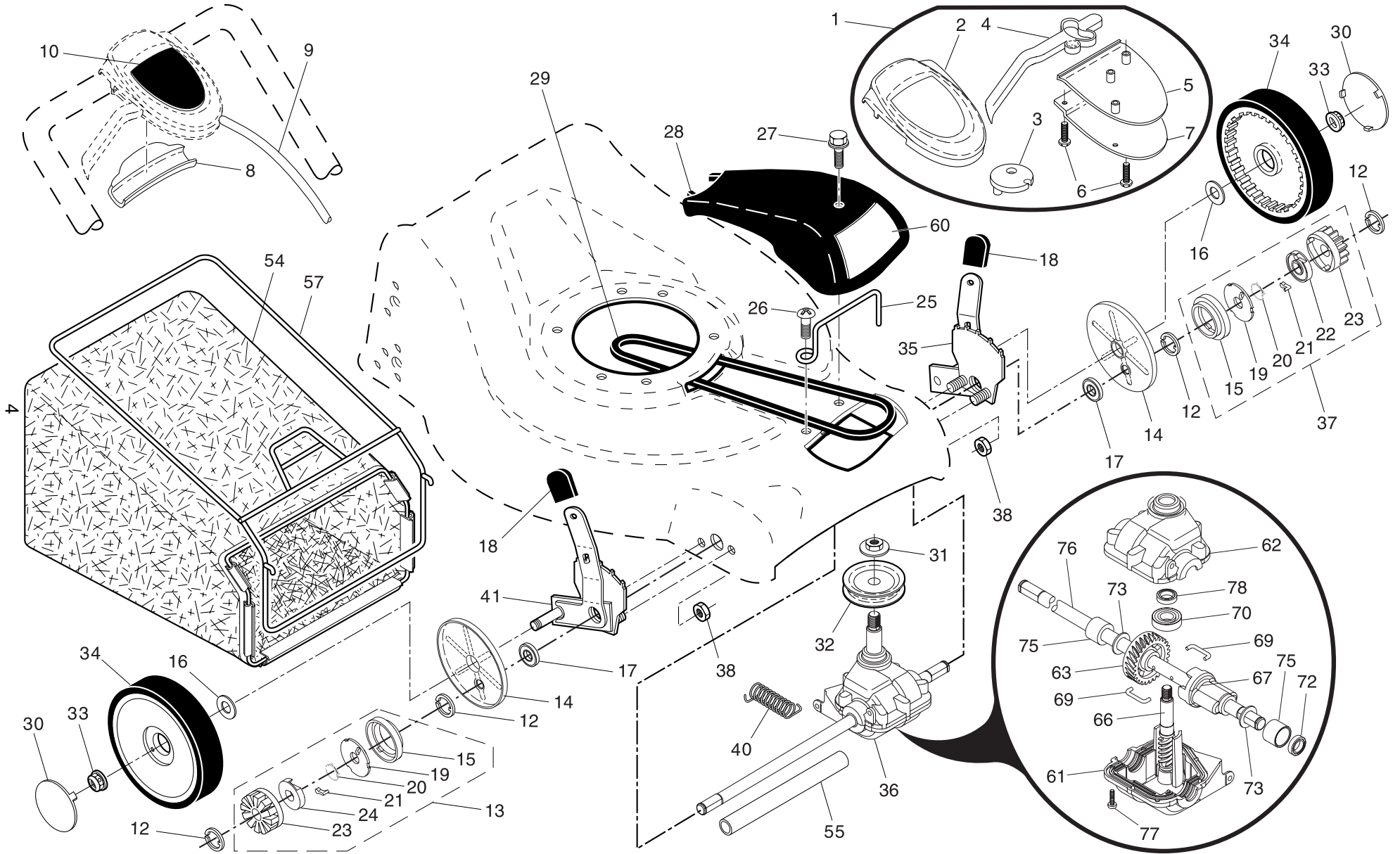


# ROTARY LAWN MOWER - - CUSTOMER MODEL NUMBER R53SVW (95417024301) PRODUCT NO. 954 17 02-43

KEY NO.	PART NO.	DESCRIPTION	KEY NO.	PART NO.	DESCRIPTION
1	532 19 58-70	Upper Handle (Includes Foam Grip)	33	873 80 05-00	Nut, Hex 5/16-18
2	532 15 36-05	Lower Handle	34	532 18 25-42	Axle Arm Assembly, LH
3	532 19 06-20	Control Bar	35	532 19 18-53	Hubcap
4	532 18 35-67	Engine Zone Control Cable	36	532 18 41-93	Bolt
5	532 19 15-74	Handle Bolt	37	532 15 00-78	Thread Cutting Screw w/Sems 5/16-18 x 3/4
6	532 19 18-56	Handle Knob	38	819 11 22-06	Washer
7	532 05 17-93	Hairpin Cotter	41	532 19 23-25	Screw
8	532 06 64-26	Wire Tie	43	532 18 70-38	Debris Shield
9	532 18 04-79	Kit, Rear Door (Includes Key #16 and 17)	44	532 19 55-45	Kit, Lawn Mower Housing (Includes Key Numbers 10, 11, 12 and 45)
10	532 12 84-15	Pop Rivet	45	532 18 21-66	Danger Decal
11	532 18 25-38	Support Bracket, LH	46	532 18 45-90	Blade Adapter
12	532 18 25-39	Support Bracket, RH	47	532 16 58-33	Blade, 21"
13	817 06 04-10	Screw 1/4-20 x 5/8	48	532 85 10-74	Hardened Washer
14	532 19 60-36	Handle Bracket Assembly, LH	49	532 85 02-63	Helical Washer 3/8-24 x 1-3/8 Grade 8
15	532 19 60-37	Handle Bracket Assembly, RH	50	532 85 10-84	Hex Head Machine Screw 3/8-24 x 1-3/8 Grade 8
16	532 18 00-71	Spring, LH	57	532 12 51-62	Upstop Bracket
17	532 18 00-72	Spring, RH	58	532 75 06-34	Screw
18	532 13 20-04	Keps Locknut 1/4-20	59	532 18 55-82	Discharge Deflector
19	532 17 95-85	Rope Guide	60	532 17 57-35	Hinge Bracket
20	532 17 92-05	Foot Guard, C.E.	61	532 17 52-85	Spring
21	532 05 45-83	Screw, Tapping 1/4-20 x 1/2	62	532 17 56-50	Hinge Rod
22	532 18 50-05	Engine Pulley	63	873 80 04-00	Nut, Hex
23	532 18 77-23	Key, Hi-Pro	64	532 18 55-76	Mulcher Door
24	- - -	Engine, Honda, Model Number GCV160 (order parts from engine manufacturer)	65	532 18 81-52	O-Ring
25	532 15 04-06	Hex Head Thread Rolling Screw 3/8-16 x 1-1/8	66	532 08 83-48	Washer, Flat 1/2
26	532 08 39-23	Hex Flange Nut	67	532 19 34-98	Kit, Bushing
27	532 18 55-72	Wheel & Tire Assembly, Rear, 14"	68	532 19 36-96	Bushing, Nylon, Black
28	532 16 08-28	Shoulder Bolt 5/16-18 x .33	69	532 18 27-48	Grip, Foam
29	532 12 50-78	Washer, Engine, Zinc-Plated	96	532 19 27-70	Clip, Cable
30	532 18 25-41	Axle Arm Assembly, RH	97	532 18 20-03	Clip, Wireform
31	532 19 19-38	Selector Knob	--	532 19 55-41	Operator's Manual, European
32	532 18 25-37	Selector Spring	--	532 19 55-42	Operator's Manual, Scandinavian

**NOTE:** All component dimensions given in U.S. inches. 1 inch = 25.4 mm. **IMPORTANT:** Use only Original Equipment Manufacturer (O.E.M.) replacement parts. Failure to do so could be hazardous, damage your lawn mower and void your warranty.

**ROTARY LAWN MOWER - - CUSTOMER MODEL NUMBER R53SVW (95417024301) PRODUCT NO. 954 17 02-43**



# ROTARY LAWN MOWER - - CUSTOMER MODEL NUMBER R53SVW (95417024301) PRODUCT NO. 954 17 02-43

KEY NO.	PART NO.	DESCRIPTION	KEY NO.	PART NO.	DESCRIPTION
1	532 19 67-56	Drive Control Assembly (Includes Cable)	32	532 18 94-06	Drive Pulley
2	532 19 57-61	Cover, Drive Control, Upper	33	532 18 39-23	Locknut
3	532 18 73-53	Pulley	34	532 18 07-56	Wheel & Tire Assembly
4	532 19 00-37	Lever, Drive Control	35	532 18 09-15	Kit, Wheel Adjuster, LH (Includes Knob and Bearing)
5	532 19 57-62	Cover, Drive Control, Lower	36	532 18 72-12	Gearcase Assembly, Complete
6	532 18 16-98	Screw	37	532 18 83-31	Pinion Assembly, LH
7	532 18 70-97	Bracket, Drive	38	873 80 04-00	Locknut 1/4-20
8	532 18 49-87	Cap, Drive	40	532 18 22-26	Spring
9	532 19 61-80	Cable Assembly, Drive	41	532 18 09-14	Kit, Wheel Adjuster, RH (Includes Knob and Bearing)
10	532 18 93-78	Decal, Drive	54	532 19 50-50	Grassbag Assembly
12	812 00 00-58	E-Ring	55	532 17 57-39	Driveshaft Cover
13	532 18 83-30	Pinion Assembly, RH	57	532 18 88-15	Frame, Grassbag
14	532 18 94-03	Dust Cover	60	532 19 35-57	Decal, Drive Cover
15	532 18 41-72	Seal, Friction	61	532 18 75-25 *	Case, Lower
16	532 06 77-25	Washer 1/2 x 1-1/2 x .134	62	532 18 75-26 *	Case, Upper
17	532 16 99-11	Bearing, Wheel Adjuster	63	532 18 34-99	Gear, 27 Teeth
18	532 70 10-37	Selector Knob	66	532 18 75-27	Shaft, Input
19	532 17 51-04	Disk, Drive	67	532 18 75-28	Spacer
20	532 18 82-91	Spring, Torsion	69	532 18 35-05	Wire, Formed
21	532 17 50-98	Pawl	70	532 18 35-06	Bearing, Ball
22	532 17 51-05	Retainer, Drive, LH	72	532 18 35-08	Seal, Output Shaft
23	532 17 51-03	Gear, Pinion	73	532 18 35-09	Washer
24	532 17 51-02	Retainer, Drive, RH	75	532 18 35-11	Bushing
25	532 18 81-02	Belt Keeper	76	532 18 75-29	Shaft, Output
26	532 17 37-15	Screw	77	532 18 35-13	Screw
27	532 17 52-62	Pan Head Tapping Screw #10-24 x 2-3/4	78	532 18 35-14	Seal, Input Shaft
28	532 18 55-79	Drive Cover			
29	532 16 97-78	V-Belt			
30	532 18 06-26	Hubcap			
31	532 13 20-10	Hex Flange Nut			

\* Use Dow Corning #709 to reseal Gear Case Halves.

**NOTE:** All component dimensions given in U.S. inches. 1 inch = 25.4 mm. **IMPORTANT:** Use only Original Equipment Manufacturer (O.E.M.) replacement parts. Failure to do so could be hazardous, damage your lawn mower and void your warranty.