

580HD 56EL

Spare parts

Ersatzteile

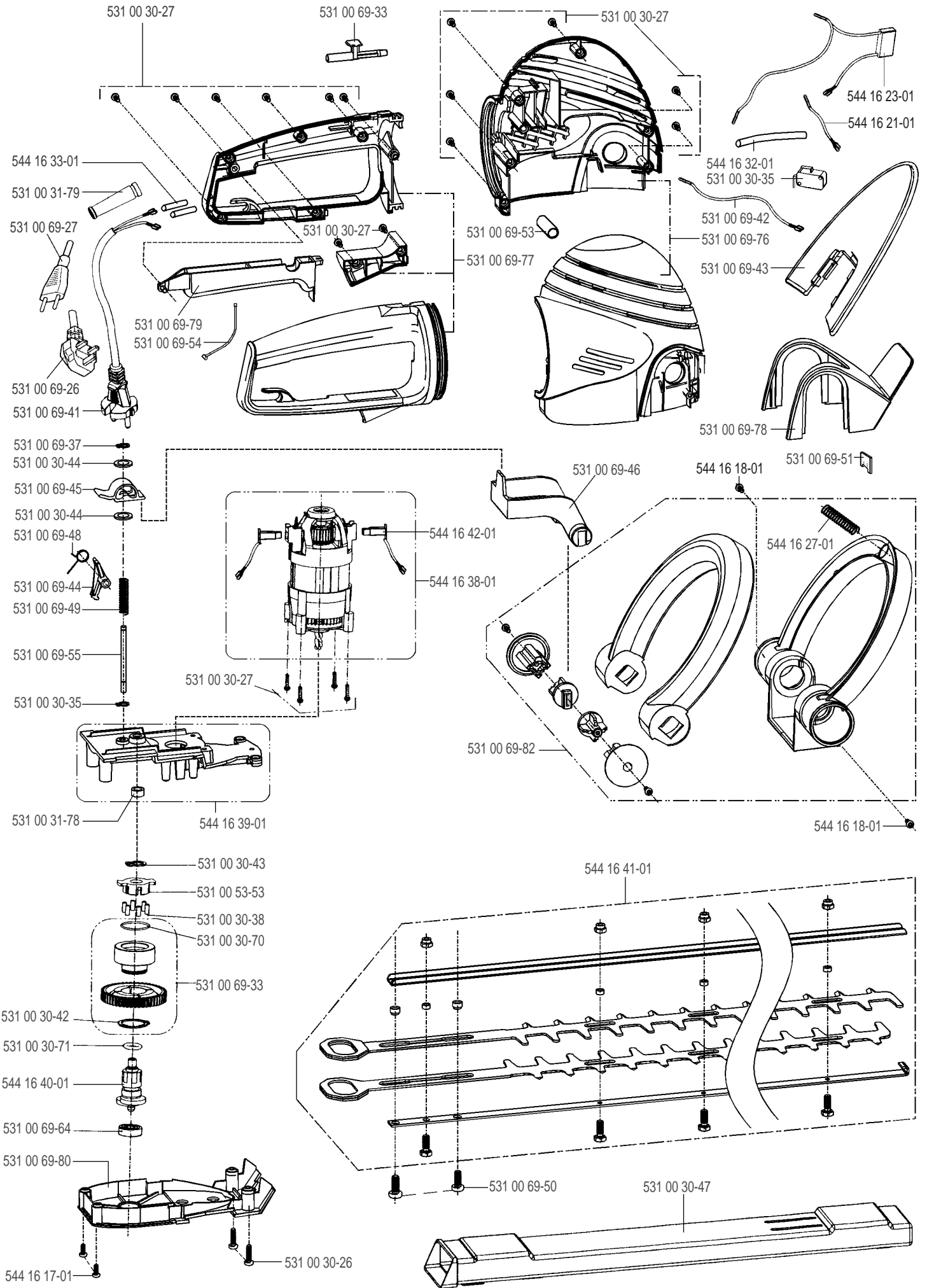
Pièces détachées

Reserve onderdelen

Repuestos

Reservdelar

580HD 56EL - Husqvarna 2005



580HD 56EL - Husqvarna 2005

HVA part no.	Description
544 16 17-01	Screw 4 x 16 TX20
531 00 31-79	Grommet HS
531 00 30-47	Blade cover 550MM (Scabbard)
531 00 30-26	Screw 4,0x20 TX20
531 00 30-42	Shaft-ring SQ4
531 00 30-70	O-ring 26x1.5mm
531 00 30-71	O-ring 13x3 SQ4
531 00 30-35	Inside-switch cherry S4
544 16 38-01	Engine 362300-81R12
531 00 30-27	Screw 4x16-LK-TX20
531-00 30-39	Thrust-washer 3,2 SQ4
531 00 30-43	Washer DIN 988 SQ4
531 00 30-44	Washer 5.5 x 10 x 1
531 00 69-37	Washer 3,2 DIN6799
531 00 30-38	Pitch-cone 4x10
544 16 18-01	Screw PL 4X16-LK-PH
531 00 69-41	Cable W/Plug H05VV-F 2x1qmmx420mm -EURO-
531 00 69-26	Cable W/Plug SQ4
531 00 69-27	Cable W/Plug SQ4
531 00 69-42	Cord 235 HS-HJ, blue
544 16 21-01	Shorting lead 95 -ECM- grey HS-HJ
544 16 23-01	Capacitor 385 -ECM- HS-HJ
531 00 69-82	Upper-handle Cpl. HS4 black
544 16 39-01	Gear housing with needle case without pin
531 00 69-43	Hand guard HS-HJ
531 00 69-44	Rope rocker HS-HJ
531 00 69-45	Rocker switch HS-HJ
531 00 69-46	Switch element HS-HJ
531 00 69-76	Housing left/right HS-HJ, orange
531 00 69-77	Grip shell + cable cap HS-HJ
531 00 69-78	Hand guard holder HS-HJ, grey
531 00 69-79	Switch panel HS-HJ, grey
531 00 69-80	Ground plate HS-HJ, grey
531 00 69-33	Fixing device HS-HJ, orange
531 00 69-48	Pressure spring SQ4
531 00 69-49	Pressure spring d0,8 x Da7,6 x Lo44 x 18ig
531 00 69-50	Screw M5 x 20 Torx
544 16 27-01	Pressure-spring
531 00 69-51	Felt-seal HS-HJ
531 00 69-53	Supporting Plate HS-HJ
531 00 69-54	Bowden cable for turn-handle
531 00 69-55	Supporting Plate HS-HJ
544 16 40-01	Eccentric HSD 1-stufig
544 16 32-01	Insulator 5x90 HSD/HS-HJ
544 16 33-01	Insulator 4x23 HSD/HS-HJ
544 16 41-01	Cuttingblade HSD STA-22 550
531 00 69-33	Overload device
544 16 42-01	Carbon brush
531 00 31-78	Needle bush HK0808
531 00 69-64	Bearing 607ZZR
531 00 53-53	Clutch-cage HS4. 6
544 17 13-01	Cable holder