

T860 RS

T860 HX

Spare parts

Ersatzteile

Pièces détachées

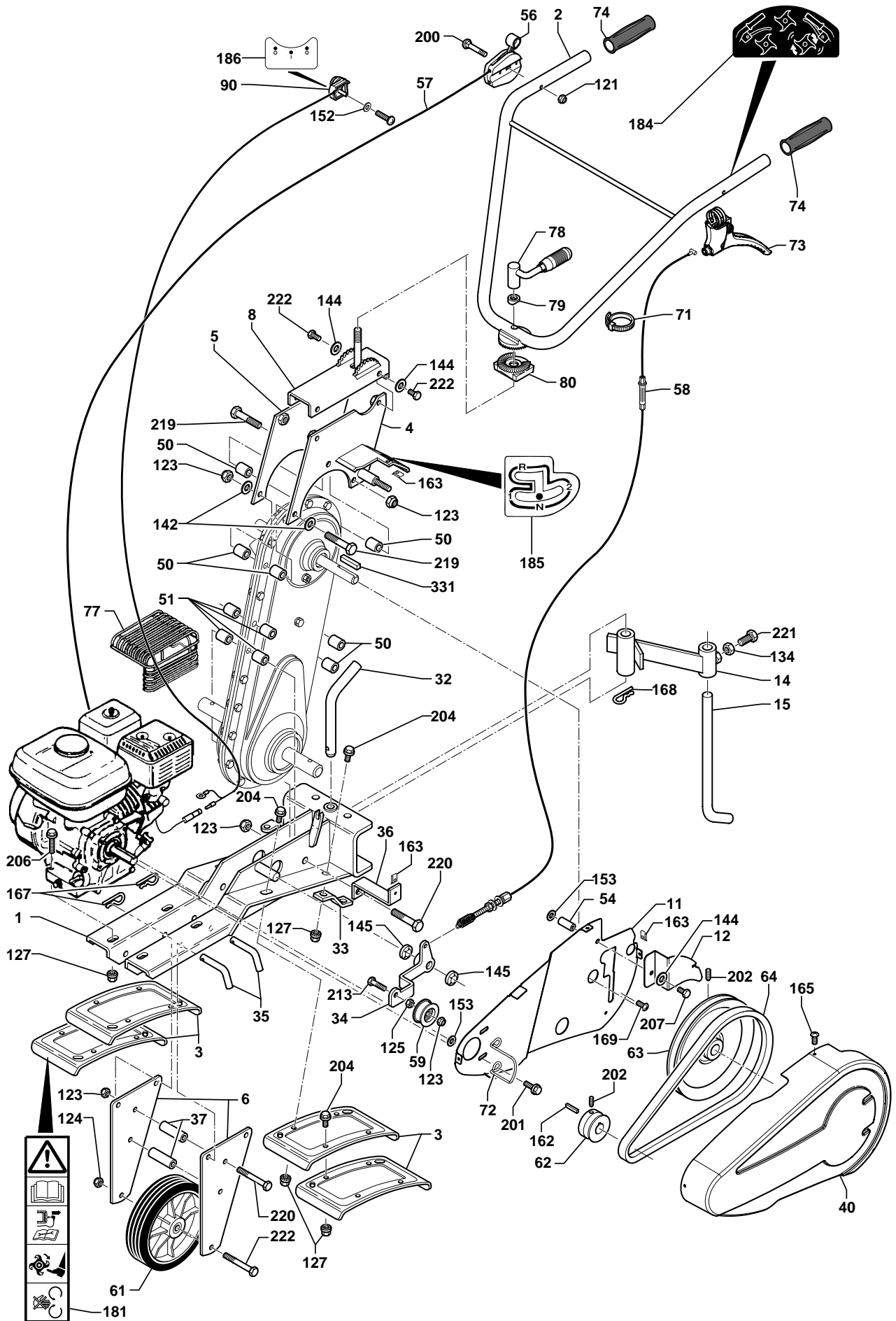
Reserve onderdelen

Repuestos

Reservdelar

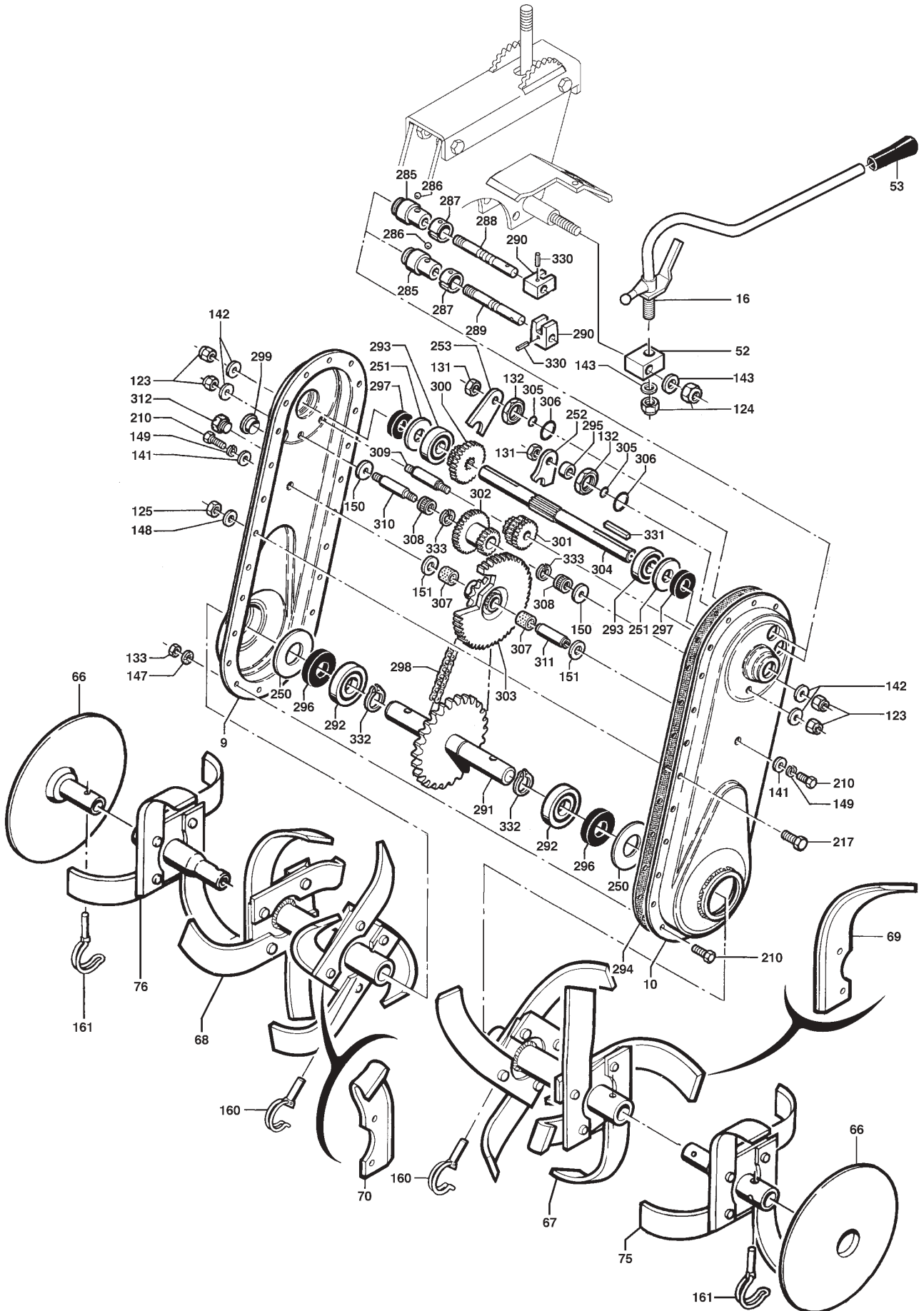
REPAIR PARTS

TILLER - MODEL NO. T 860 RS - T 860 HX, PRODUCT NO. 544 31 42-01



REPAIR PARTS

TILLER - MODEL NO. T 860 RS - T 860 HX, PRODUCT NO. 544 31 42-01



REPAIR PARTS

TILLER - MODEL NO. T 860 RS - T 860 HX, PRODUCT NO. 544 31 42-01

| KEY NO. | PART NO. | DESCRIPTION | DÉSIGNATION | QTY / QTÉ |
|---------|--------------|-----------------------------------|---|-----------|
| 1 | 544 30 73-01 | Châssis (Gris 627) | Chassis (Grey 627) | 1 |
| 2 | 544 30 75-01 | Guidon (Gris 627) | Handlebars (Grey 627) | 1 |
| 3 | 544 30 77-01 | Aile protection (Gris 627) | Protection iron sheet (Grey 627) | 6 |
| 4 | 544 30 78-01 | Potence guidon gauche (Gris 627) | Left handlebar support (Grey 627) | 1 |
| 5 | 544 30 79-01 | Potence guidon droit (Gris 627) | Right handlebar support (Grey 627) | 1 |
| 6 | 544 30 80-01 | Supp. Roue transport (Noir) | Front wheel bracket (Black) | 2 |
| 8 | 544 30 83-01 | Chapeau potence guidon (gris 627) | Hat handlebar support (Grey 627) | 1 |
| 9 | 519 65 32-48 | Joue carter droite (Noir) | Transmission housing, RHS (Black) | 1 |
| 10 | 519 65 32-49 | Joue carter gauche (Noir) | Transmission housing, LHs (Black) | 1 |
| 11 | 544 30 90-01 | Tôle intérieure capot (GX) | Inner stile belt cover (GX) | 1 |
| | 544 30 91-01 | Tôle intérieure capot (GC/BS/EX) | Inner stile belt cover (GC/BS/EX) | 1 |
| 12 | 544 31 16-01 | Tôle passage levier | Inner stile for speed lever | 1 |
| 14 | 544 30 92-01 | Corps de béquille (Noir) | Prop (Black) | 1 |
| 15 | 544 30 93-01 | Tige de béquille (Noir) | Prop pin (Black) | 1 |
| 16 | 544 30 94-01 | Levier de vitesse (Noir) | Lever (Black) | 1 |
| 32 | 544 30 95-01 | Broche de béquille | Pin | 1 |
| 33 | 543 30 96-01 | Chape support aile | Fork joint pin | 2 |
| 34 | 544 30 97-01 | Levier embrayage | Clutch lever | 1 |
| 35 | 544 30 98-01 | Broche de roue de transport | Pin | 2 |
| 36 | 544 30 99-01 | Patte fixa. Tôle int. Capot | Inner housing panel fixing lug | 1 |
| 37 | 544 31 00-01 | Entretoise roue de transport | Spacer | 2 |
| 40 | 544 31 01-01 | Capot courroie GC/EX/BS (Orange) | Belt cover GC/EX/BS (Orange) | 1 |
| | 544 31 17-01 | Capot courroie GX (Orange) | Belt cover GX (Orange) | 1 |
| 50 | 519 65 33-08 | Entretoise lg 23 | Spacer lg23 | 8 |
| | 519 65 33-09 | Entretoise lg 23,7 | Spacer lg 23,7 | 4 |
| 52 | 544 31 02-01 | Support levier vitesse | Lever support | 1 |
| 53 | 544 31 03-01 | Poignée | Handle | 1 |
| 54 | 544 31 04-01 | Entretoise | Spacer | 1 |
| 56 | 544 31 07-01 | Manette gaz (GX160) | Accelerator lever (GX 160) | 1 |
| | 544 31 06-01 | Manette gaz (EX17) | Accelerator lever (EX17) | 1 |
| 57 | 544 31 05-01 | Câble gaz (GX 160-EX17) | Throttle cable (GX160 - EX17) | 1 |
| 58 | 544 31 08-01 | Câble embrayage | Clutch cable | 1 |
| 59 | 519 65 34-57 | Galet d'embrayage | Runner | 1 |
| 61 | 519 65 32-59 | Roue avant | Front wheel | 1 |
| 62 | 519 65 32-90 | Poulie moteur arbre Ø 19,05 | Motor pulley (Shaft Ø 19,05) | 1 |
| 63 | 519 65 32-92 | Poulie transmission | Transmission pulley | 1 |
| 64 | 519 65 32-42 | Courroie | Belt | 1 |
| 66 | 519 65 33-62 | Disque | Disk | 2 |
| 67 | 544 31 09-01 | Etoile départ gauche hélic. | Original left-hand spiral blade assembly | 1 |
| 68 | 544 31 10-01 | Etoile départ droit hélic. | Original right-hand spiral blade assembly | 1 |
| 69 | 531 00 85-47 | Couteau gauche labour hélic. | Left ploughing knives | |
| 70 | 531 00 85-48 | Couteau droit labour hélic. | Right ploughing knives | |
| 71 | 519 65 32-32 | Collier | Collar | 2 |
| 72 | 544 31 12-01 | Guide courroie | Drive belt guide | 1 |
| 73 | 544 31 13-01 | Levier embrayage | Clutch lever | 1 |
| 74 | 544 31 14-01 | Poignée PVC | Grip | 2 |
| 75 | 531 00 85-22 | Etoile addit. Gauche hélic. | Additional left-hand spiral blade assembly | 1 |
| 76 | 531 00 85-23 | Etoile addit. Droite hélic. | Additional right-hand spiral blade assembly | 1 |
| 77 | 531 00 94-18 | Grille echappement (GX160) | Exhaust grill (GX160) | 1 |
| 78 | 544 31 15-01 | Poignée de serrage | Handlebar tightening lever | 1 |
| 79 | 519 65 34-14 | Entretoise | Spacer | 1 |
| 80 | 544 31 18-01 | Pièce intermédiaire | Filler piece | 1 |
| 90 | 531 00 85-58 | Switch arrêt moteur | Switch engine cut-off | 1 |
| 121 | 732 26 16-01 | Ecrou frein M6Z | Blocking nut M6Z | |
| 123 | 519 65 34-58 | Ecrou frein M10Z | Blocking nut M10Z | |
| 124 | 725 25 50-51 | Ecrou frein M12Z | Blocking nut M12Z | |
| 125 | 519 65 34-56 | Ecrou H M10Z | Nut H M10Z | |
| 126 | 519 65 34-32 | Ecrou H M6 Z embase crantée | Nut H M6 Z, notched shoulder | |
| 127 | 519 65 34-30 | Ecrou H M8Z embase crantée | Nut H M8 Z, notched shoulder | |
| 131 | 519 65 31-52 | Ecrou Hm M12x125 Z | Nut Hm M12x125 Z | |
| 132 | 519 65 31-53 | Ecrou Hm M24x150 Z | Nut Hm M24x150 Z | |
| 134 | 519 65 34-52 | Ecrou H M12 Z | Nut H M 12 Z | |
| 141 | 519 65 34-50 | Rondelle 8 Z | Washer 8 Z | |
| 142 | 734 11 72-01 | Rondelle 10 Z | Washer 10 Z | |
| 143 | 519 65 34-53 | Rondelle 12x27x2,5 | Washer 12x27x2,5 Z | |
| 144 | 544 31 49-01 | Rondelle contact 8 | Contact washer 8 | |
| 145 | 735 58 71-00 | Rondelle starlock 16 | Starlock washer 16 | |
| 147 | 519 00 09-95 | Rondelle grower 8 | Elastic washer 8 | |

REPAIR PARTS

TILLER - MODEL NO. T 860 RS - T 860 HX, PRODUCT NO. 544 31 42-01

| KEY NO. | PART NO. | DESCRIPTION | DÉSIGNATION | QTY / QTÉ |
|---------|--------------|--------------------------------------|---|-----------|
| 148 | 519 65 31-60 | Rondelle grower 10 | Elastic washer 10 | |
| 150 | 519 65 31-71 | Rondelle traitée 25x10,7x1,5 | Washer 25x10,7x1,5 | |
| 151 | 519 65 31-72 | Rondelle traitée 25x14,2x1,5 | Washer 25x14,2x1,5 | |
| 152 | 531 00 85-39 | Rondelle 3,2x10x1Z | Washer 3,2x10x1Z | |
| 153 | 519 65 30-97 | Rondelle 9x20x3 | Washer 9x20x3 | |
| 160 | 544 31 19-01 | Goupille clips Ø 10x33 | Clip pin, Ø 10x33 | |
| 161 | 544 31 20-01 | Goupille clips Ø 8x33 | Clip pin, Ø 8x33 | |
| 162 | 519 65 30-21 | Clavette arbre Ø 19,05 | Key (Shaft Ø 19,05) | |
| 163 | 519 65 34-25 | Clips 4,2 ép. 4 | Spire nuts 4,2 | |
| 165 | 519 65 34-26 | Vis tôle 4,2 | Cover bolt 4,2 | |
| 166 | 519 65 32-01 | Clavette arbre trans. 5x5x40 | Key 5x5x40 | |
| 167 | 519 65 12-20 | Goupille Beta Ø 2 | Spring retaining pin Ø 2 | |
| 168 | 519 65 31-66 | Goupille Beta Ø 3 | Spring retaining pin Ø 3 | |
| 181 | 531 00 85-40 | Etiquette "Sécurité" | Safety label | |
| 184 | 519 65 30-85 | Etiquette embrayage | Label: Clutch lever | |
| 186 | 519 65 31-03 | Etiquette arrêt moteur | Label: Engine cut-off | |
| 200 | 544 31 31-01 | Vis TRCC M6x60 Z | Screw TRCC M6x60 Z | |
| 201 | 544 31 32-01 | Vis 5/16 TH24 UNF lg 19 emb. crantée | Screw 5/16 TH24 UNF lg 19, notched shoulder | |
| 202 | 519 65 30-20 | Vis St Hc M8x16 N | Screw St Hc M8x16 N | |
| 203 | 519 65 34-35 | Vis H M6x16 Z embase crantée | Screw H M6x16 Z, notched shoulder | |
| 204 | 531 00 82-02 | Vis H M8x16 Z embase crantée | Screw H M8x16 Z, notched shoulder | |
| 206 | 519 65 34-13 | Vis H M8x40 Z embase crantée | Screw H M8x40 Z, notched shoulder | |
| 207 | 531 00 85-09 | Vis H M8x60 | Screw H M8x60 | |
| 210 | 519 00 03-55 | Vis H M8x16 | Screw H M8x16 | |
| 211 | 544 31 33-01 | Vis H M8x20 | Screw H M8x20 | |
| 213 | 519 65 34-55 | Vis H M10x35 Z | Screw H M10x35 Z | |
| 216 | 519 65 31-31 | Vis H M12x80 Z | Screw H M12x80 Z | |
| 217 | 544 31 35-01 | Vis H M10x16 | Screw H M10x16 | |
| 219 | 544 31 36-01 | Vis H M10x70 Z | Screw H M10x70 Z | |
| 220 | 519 65 30-39 | Vis H M10x80 Z | Screw H M10x80 Z | |
| 221 | 544 31 38-01 | Vis H M12x30 Z | Screw H M12x30 Z | |
| 250 | 519 65 33-88 | Rondelle spéciale | Sealing washer | 2 |
| 251 | 519 65 31-05 | Rondelle d'étanchéité | Sealing washer | 2 |
| 252 | 519 65 31-10 | Fourchette 1-2 | Fork 1-2 | 1 |
| 253 | 519 65 31-09 | Fourchette M. Ar. | Fork reverse | 1 |
| 285 | 519 65 32-76 | Palier fourchette | Fork bearing | 2 |
| 286 | 519 65 31-94 | Bille | Ball-bearing | 2 |
| 287 | 519 65 32-14 | Ressort à lame | Spring | 2 |
| 288 | 519 65 32-81 | Axe de fourchette 1-2 | Fork pin 1-2 | 1 |
| 289 | 519 65 32-82 | Axe de fourchette AR | Fork pin reverse | 1 |
| 290 | 519 65 32-00 | U de fourchette | Fork U | 2 |
| 291 | 519 65 32-50 | Arbre central | Central shaft | 1 |
| 292 | 519 65 31-89 | Roulement | Bearing | 2 |
| 293 | 519 65 31-92 | Roulement | Bearing | 2 |
| 294 | 519 65 31-85 | Joint de carter | Casing seal | 1 |
| 295 | 519 65 31-48 | Entretoise Mar. Arriere | Spacer | 1 |
| 296 | 519 65 31-82 | Bague étanchéité 30x62x7 | Sealing washer 30x62x7 | 2 |
| 297 | 519 65 31-81 | Bague étanchéité 17x40x7 | Sealing washer 17x40x7 | 2 |
| 298 | 519 65 32-38 | Chaîne | Chain | 1 |
| 299 | 519 65 33-91 | Bouchon de remplissage | Plug | 1 |
| 300 | 519 65 33-01 | Pignon 16x30 | Pinion 16x30 | 1 |
| 301 | 519 65 32-99 | Pignon 22x13 | Pinion 22x13 | 1 |
| 302 | 519 65 33-00 | Pignon 33x19 | Pinion 33x19 | 1 |
| 303 | 544 31 39-01 | Pignon 8x77 | Pinion 8x77 | 1 |
| 304 | 544 31 40-01 | Arbre primaire | Primary shaft | 1 |
| 305 | 519 65 31-84 | Joint torique | O-ring | 2 |
| 306 | 519 65 31-83 | Joint torique | O-ring | 2 |
| 307 | 519 65 31-96 | Bague friction | Friction ring | 2 |
| 308 | 519 65 31-95 | Douille aiguille | Double needle | 2 |
| 309 | 519 65 32-84 | Axe 14x47,3x77,3 | Axle 14x47,3x77,3 | 1 |
| 310 | 519 65 32-83 | Axe 14x44,3x77,3 | Axle 14x44,3x77,3 | 1 |
| 311 | 519 65 32-85 | Axe 14x47,3 | Axle 14x47,3 | 1 |
| 312 | 519 65 31-97 | Bouchon de niveau | Plug | 1 |
| 330 | 544 31 41-01 | Goupille 4x30 | Pin 4x30 | |
| 331 | 519 65 32-01 | Clavette 5x5x40 | Key 5x5x40 | |
| 332 | 519 65 31-99 | Circlips ext. 30 | Circlips | |
| 333 | 519 65 31-98 | Circlips inversé 20 | Circlips | |