

38 INCH MOWER MULCH COVER

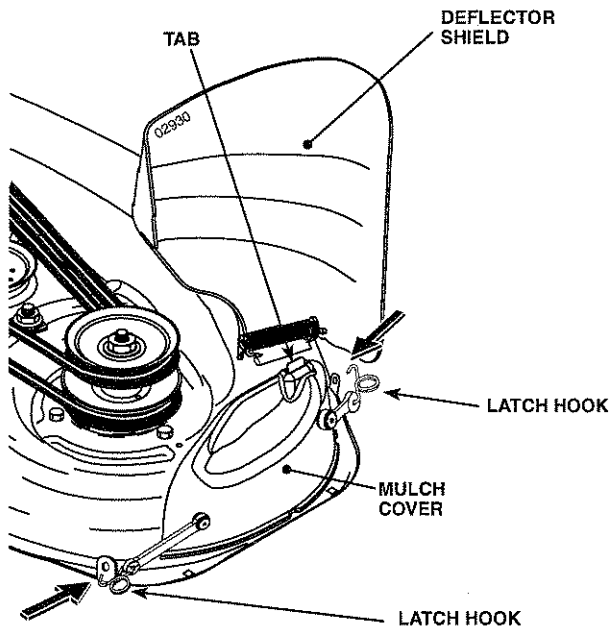
Model No. 96072000200 (MPT38-97)



CAUTION: Do not remove deflector shield from mower. Raise and hold shield when attaching mulch cover and allow it to rest on cover while in operation.

INSTALL MULCH COVER

1. Raise and hold deflector shield in upright position.
2. Place slot in mulch cover over tab on mower and position plate over mower opening as shown.
3. Hook rear latch into hole on back of mower with hook positioned as shown.
4. Hook front latch into hole on front of mower with hook positioned as shown.
5. Check to be sure mower opening is completely covered by the mulch cover.



- For best results, adjust the mower cutting height so that the mower cuts off only the top one-third of the grass blades. For extremely heavy mulching, reduce your width of cut and mow slowly.
- Certain types of grass and grass conditions may require that an area be mulched a second time to completely hide the clippings. When doing a second cut, mow across or perpendicular to the first cut path.
- Change your cutting pattern from week to week. Mow north to south one week then change to east to west the next week. This will help prevent matting and graining of the lawn.

FOR FUTURE REFERENCE AND REPAIR PARTS ORDERING, KEEP THIS INSTRUCTION SHEET WITH YOUR TRACTOR OWNER'S MANUAL.

REPAIR PARTS

MODEL NO. 96072000200 (MPT38-97)

KEY NO.	PART NO.	DESCRIPTION
2	532193215	Mulch Cover Assembly (Includes all items shown)
3	532160793	Latch Hook
4	532125004	Weld Nut
5	819061216	Washer 3/16 x 3/4
6	810071000	Washer, Lock #10
7	871081010	Screw #10 x 5/8

MULCHING MOWING TIPS

IMPORTANT: FOR BEST PERFORMANCE, KEEP MOWER HOUSING FREE OF BUILT-UP GRASS AND TRASH. CLEAN AFTER EACH USE.

- The special mulch blades will recut the grass clippings many times and reduce them in size so that as they fall onto the lawn they will disperse into the grass and not be noticed. Also, the mulched grass will biodegrade quickly to provide nutrients for the lawn. Always mulch with your highest engine (blade) speed as this will provide the best recutting action of the blades.
- Avoid cutting your lawn when it is wet. Wet grass tends to form clumps and interferes with the mulching action. The best time to mow your lawn is the early afternoon. At this time the grass has dried and the newly cut area will not be exposed to the direct sun.

