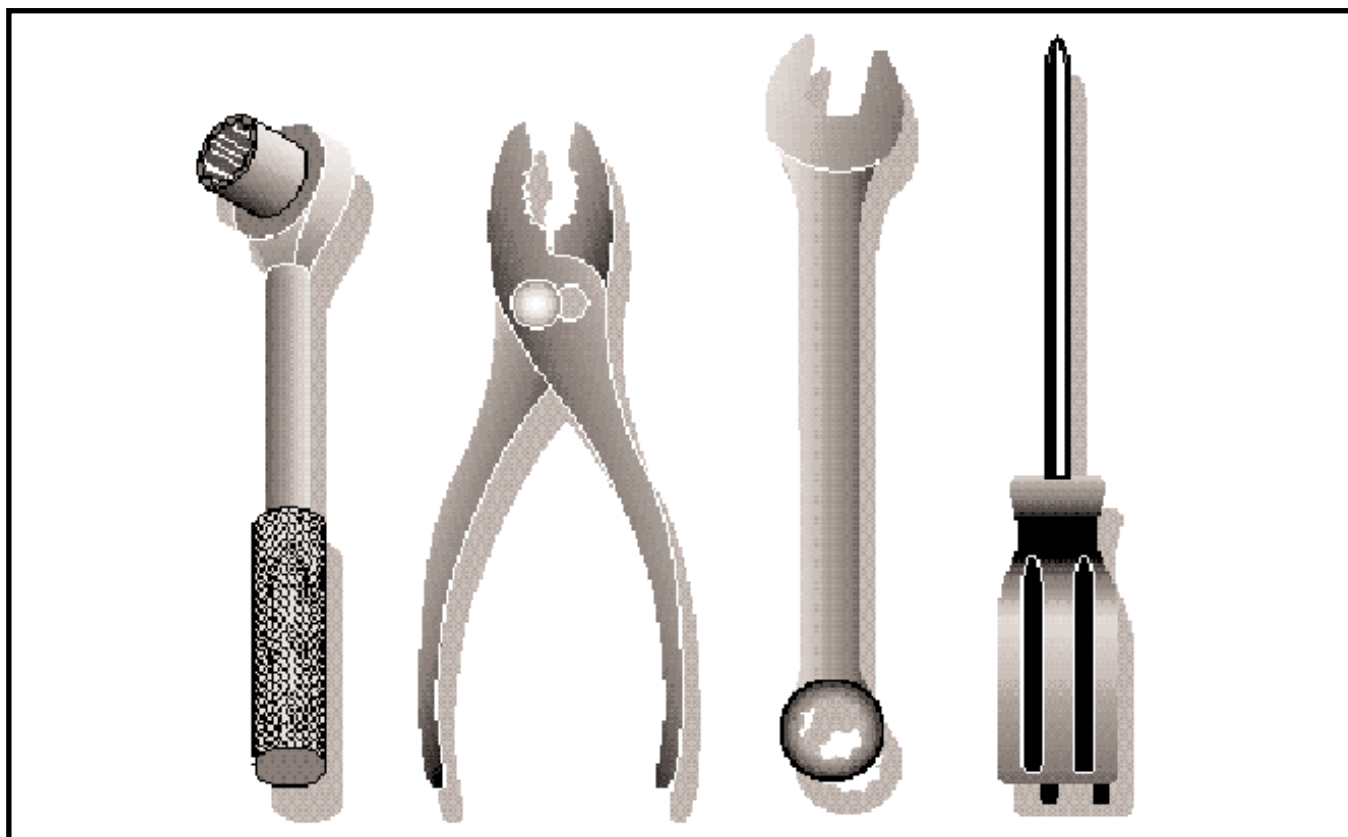


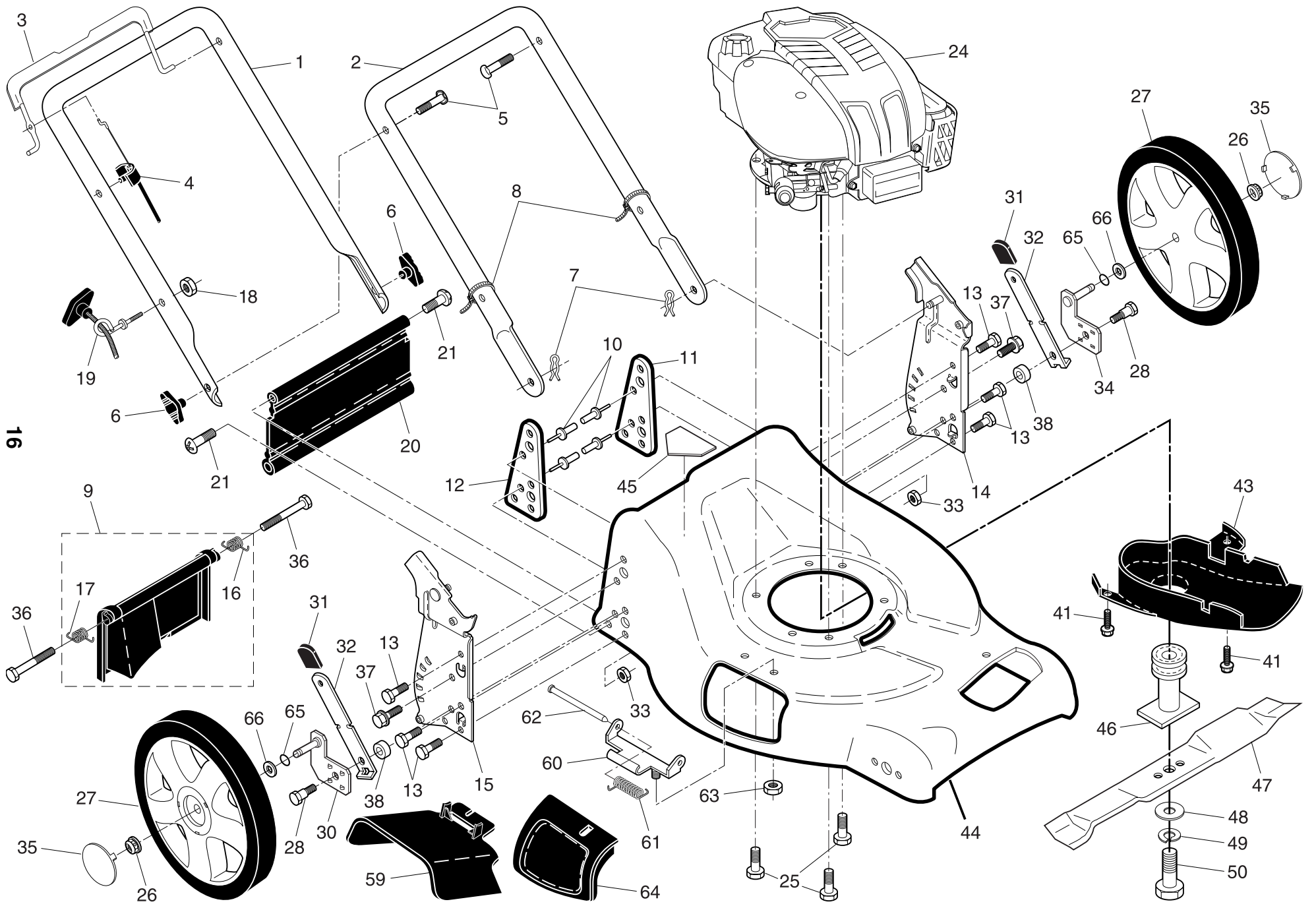
Walk Mower

7021CH1

96143000601



ROTARY LAWN MOWER - - MODEL NUMBER 7021CH1 (9614300601) - PRODUCT NUMBER 961 43 00-06



ROTARY LAWN MOWER - - MODEL NUMBER 7021CH1 (96143000601) - PRODUCT NUMBER 961 43 00-06

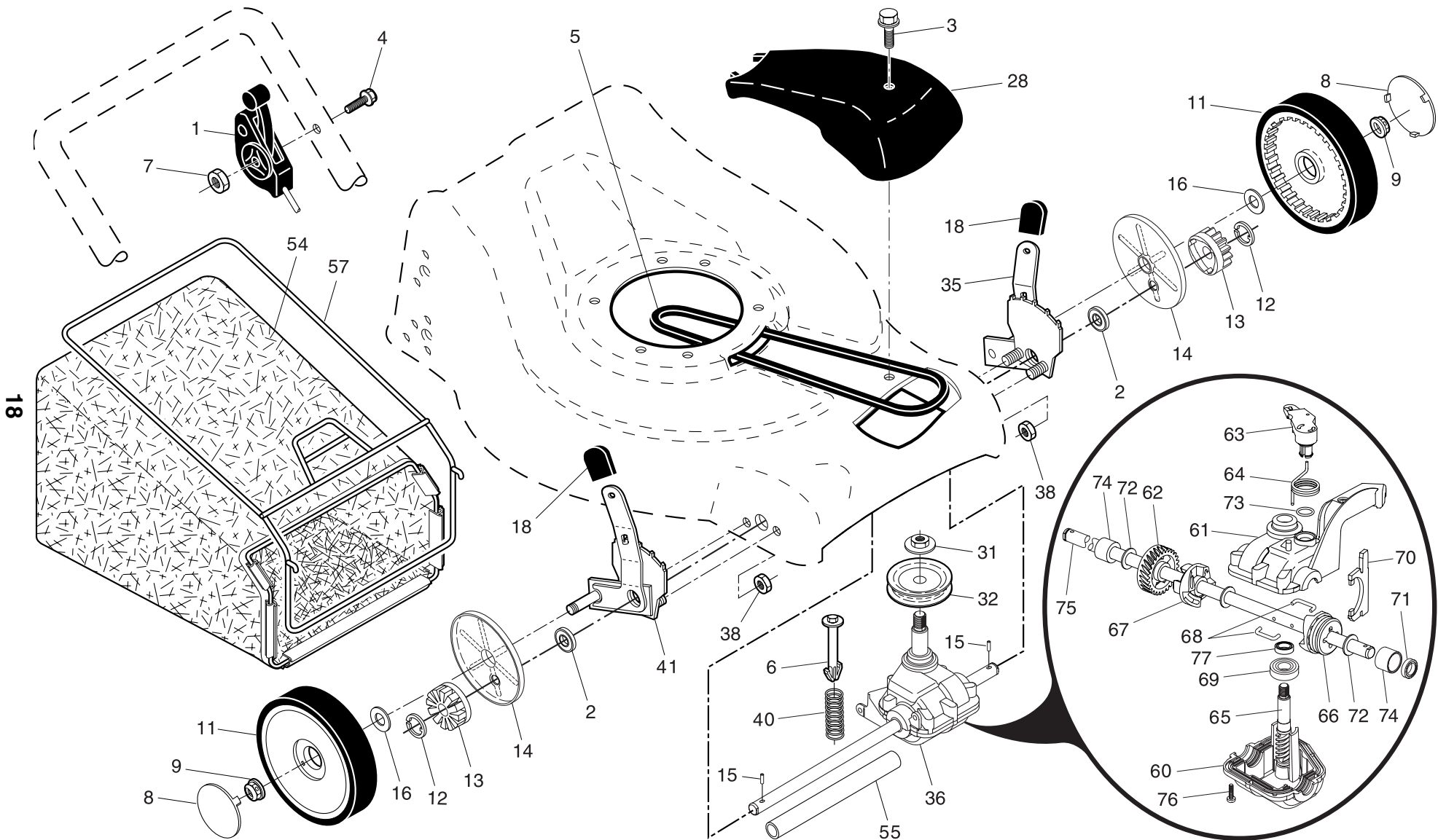
17

KEY NO.	PART NO.	DESCRIPTION	KEY NO.	PART NO.	DESCRIPTION
1	532 19 25-18	Upper Handle	30	532 18 25-41	Axle Arm Assembly, Rear, RH
2	532 15 34-18	Lower Handle	31	532 18 55-75	Selector Knob
3	532 18 55-78	Control Bar	32	532 18 25-37	Selector Spring
4	532 18 27-55	Engine Zone Control Cable	33	873 80 05-00	Locknut
5	532 19 15-74	Handle Bolt	34	532 18 25-42	Axle Arm Assembly, Rear, LH
6	532 19 18-56	Handle Knob	35	532 19 18-53	Hubcap
7	532 05 17-93	Hairpin Cotter	36	532 18 41-93	Bolt
8	532 06 64-26	Wire Tie	37	532 15 00-78	Thread Cutting Screw w/Sems 5/16-18 x 3/4
9	532 18 04-79	Kit, Rear Door (Includes Key #16 and 17)	38	819 11 22-06	Washer
10	532 12 84-15	Pop Rivet	41	532 19 23-25	Screw, Debris Shield
11	532 18 25-38	Support Bracket, LH	43	532 18 87-84	Debris Shield
12	532 18 25-39	Support Bracket, RH	44	532 18 55-83	Kit, Lawn Mower Housing (Includes Key Numbers 10, 11, 12 and 45)
13	817 06 04-10	Screw 1/4-20 x 5/8	45	532 10 73-39	Danger Decal
14	532 18 25-43	Handle Bracket Assembly, LH	46	532 18 91-79	Blade Adapter / Pulley
15	532 18 25-45	Handle Bracket Assembly, RH	47	532 18 90-28	Blade, 21"
16	532 18 00-71	Spring, Rear Door, LH	48	532 85 10-74	Hardened Washer
17	532 18 00-72	Spring, Rear Door, RH	49	532 85 02-63	Helical Washer 3/8
18	532 13 20-04	Nut, Hex	50	532 85 10-84	Hex Head Machine Screw 3/8-24 x 1-3/8 Grade 8
19	532 17 95-85	Rope Guide	59	532 18 55-82	Discharge Deflector
20	532 18 90-05	Rear Skirt	60	532 17 57-35	Hinge Bracket Assembly
21	532 08 86-52	Hinge Screw 1/4-20 x 1-1/4	61	532 17 52-85	Spring
24	- - -	Engine, Briggs & Stratton, Model Number 12H602 (For engine service and replacement parts, call Briggs & Stratton at 1-800-233-3723)	62	532 17 56-50	Rod, Hinge
25	532 15 04-06	Screw, Hex Head, Threaded, Rolled 3/8-16 x 1-1/8	63	873 80 04-00	Locknut, Hex
26	532 08 39-23	Nut, Hex, Flanged	64	532 18 55-76	Mulcher Door
27	532 18 55-72	Wheel Assembly, Rear	65	532 18 81-52	O-Ring
28	532 16 08-28	Shoulder Bolt 5/16-18 x .33	66	532 08 83-48	Washer, Flat 3/8
			--	532 16 23-00	Warning Decal (not shown)
			--	532 19 53-49	Owner's Manual, English/French

NOTE: All component dimensions given in U.S. inches. 1 inch = 25.4 mm

IMPORTANT: Use only Original Equipment Manufacturer (O.E.M.) replacement parts. Failure to do so could be hazardous, damage your lawn mower and void your warranty.

ROTARY LAWN MOWER - - MODEL NUMBER 7021CH1 (96143000601) - PRODUCT NUMBER 961 43 00-06



ROTARY LAWN MOWER - - MODEL NUMBER 7021CH1 (96143000601) - PRODUCT NUMBER 961 43 00-06

19

KEY NO.	PART NO.	DESCRIPTION	KEY NO.	PART NO.	DESCRIPTION
1	532 18 45-88	Drive Control Assembly	41	532 19 51-07	Kit, Wheel Adjuster, RH (Includes Knob and Bearing)
2	532 08 80-58	Bearing, Wheel Adjuster	54	532 19 47-24	Grassbag Assembly
3	532 17 52-62	Pan Head Tapping Screw #10-24 x 2-3/4	55	532 17 57-39	Driveshaft Cover
4	532 15 87-55	Screw	57	532 18 88-15	Frame, Grassbag
5	532 17 54-36	V-Belt	60	532 18 34-97 *	Case, Lower
6	532 15 04-95	Retainer, Spring	61	532 18 34-98 *	Case, Upper
7	532 19 17-30	Nut, Hex, Flanged 1/4-20	62	532 18 34-99	Gear, 27 Teeth
8	532 18 06-26	Hubcap	63	532 18 35-00	Lever, Clutch
9	532 14 52-12	Locknut	64	532 18 35-01	Spring, Return
11	532 18 07-67	Wheel & Tire Assembly	65	532 18 35-02	Shaft, Input
12	812 00 00-58	E-Ring	66	532 18 35-03	Dog, Movable
13	532 75 00-03	Pinion	67	532 18 35-04	Dog, Fixed
14	532 18 94-03	Dust Cover	68	532 18 35-05	Wire, Formed
15	532 19 10-17	Pawl, Drive	69	532 18 35-06	Bearing, Ball
16	532 06 77-25	Washer 1/2	70	532 18 35-07	Fork, Shift
18	532 18 55-74	Selector Knob	71	532 18 35-08	Seal, Output Shaft
28	532 18 55-79	Drive Cover	72	532 18 35-09	Washer
31	532 13 20-10	Hex Flange Nut	73	532 18 35-10	Seal, Case
32	532 18 94-07	Pulley, Drive	74	532 18 35-11	Bushing
35	532 19 51-10	Kit, Wheel Adjuster, LH (Includes Knob and Bearing)	75	532 19 66-13	Shaft, Output
36	532 19 49-35	Gear Case Assembly, Complete	76	532 18 35-13	Screw
38	873 80 04-00	Locknut 1/4-20	77	532 18 35-14	Seal, Input Shaft
40	532 13 70-90	Spring, Tension			

* Use Dow Corning #709 to reseal Gear Case Halves.

NOTE: All component dimensions given in U.S. inches. 1 inch = 25.4 mm

IMPORTANT: Use only Original Equipment Manufacturer (O.E.M.) replacement parts. Failure to do so could be hazardous, damage your lawn mower and void your warranty.