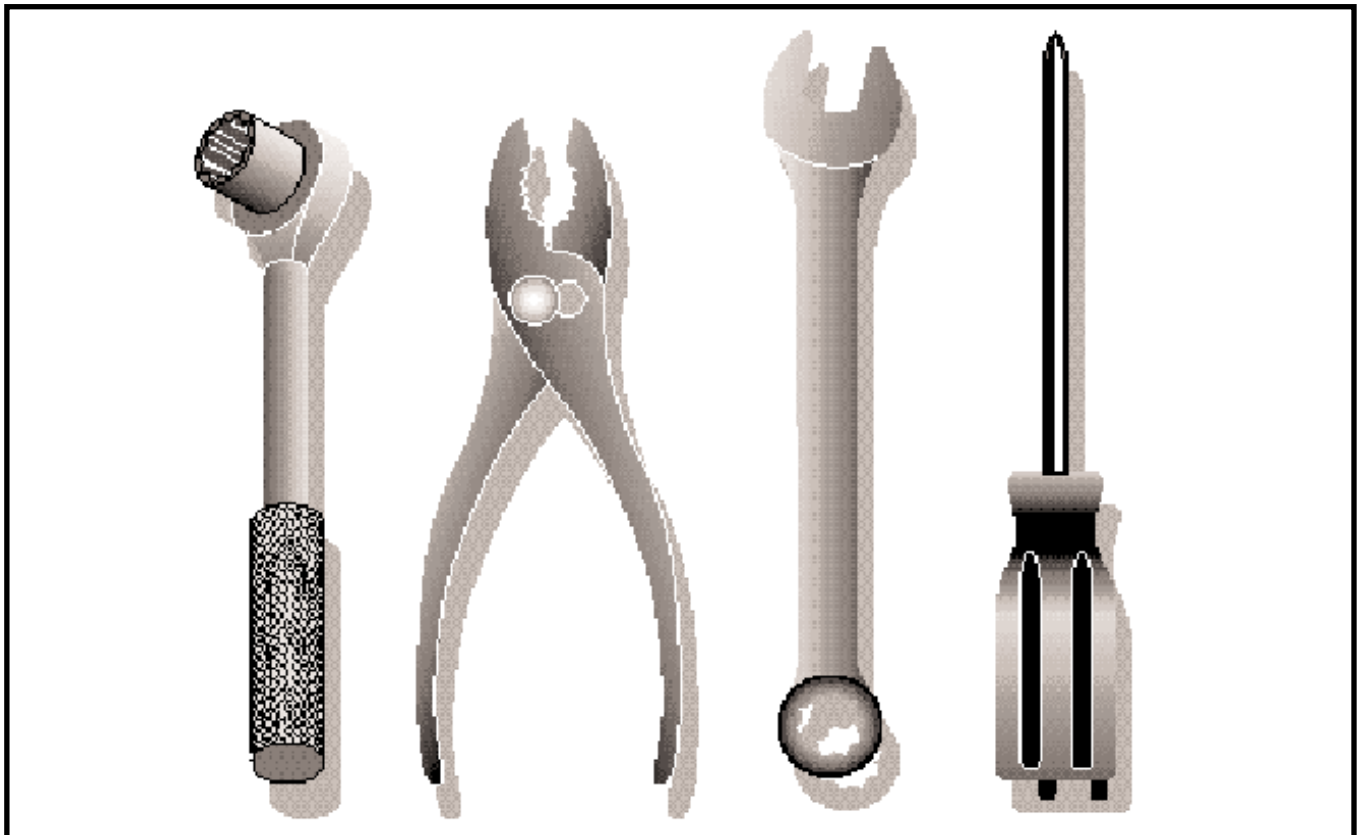


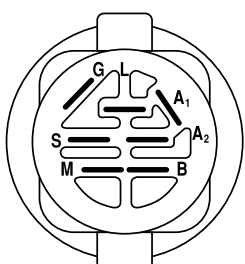
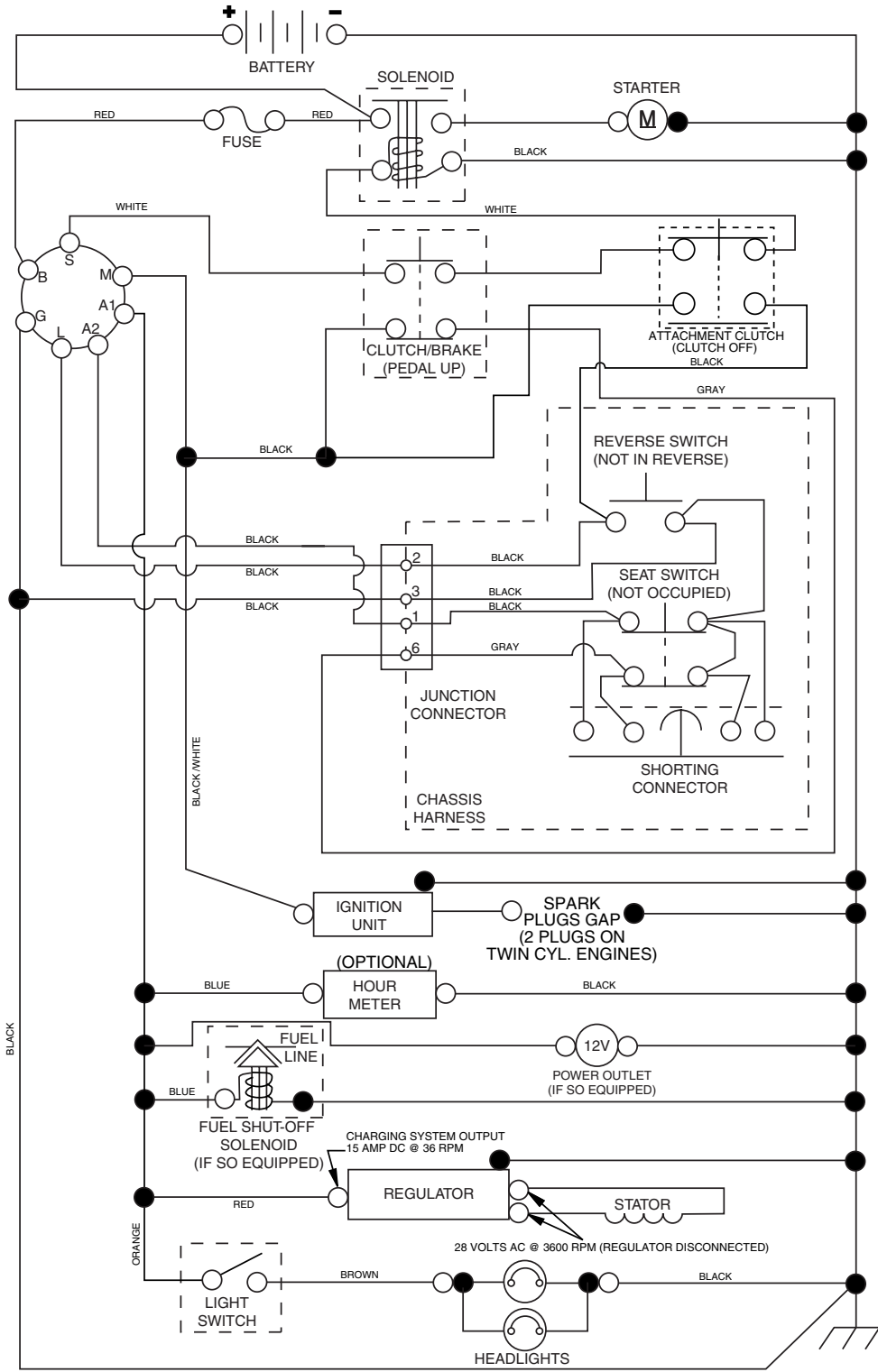
Ride Mower

YT1942T

96043000300



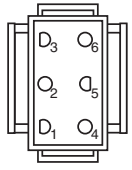
TRACTOR - - MODEL NUMBER YT1942T (96043000300), PRODUCT NO. 960 43 00-03 SCHEMATIC



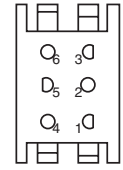
IGNITION SWITCH

POSITION	CIRCUIT	"MAKE"
OFF	M+G+A1	
RUN/OVERRIDE	B+A1	
RUN	B+A1	L+A2
START	B + S + A1	

03101



CHASSIS HARNESS CONNECTOR (MATING SIDE)



DASH HARNESS CONNECTOR (MATING SIDE)

WIRING INSULATED CLIPS
NOTE: IF WIRING INSULATED CLIPS WERE REMOVED FOR SERVICING OF UNIT, THEY SHOULD BE REPLACED TO PROPERLY SECURE YOUR WIRING.

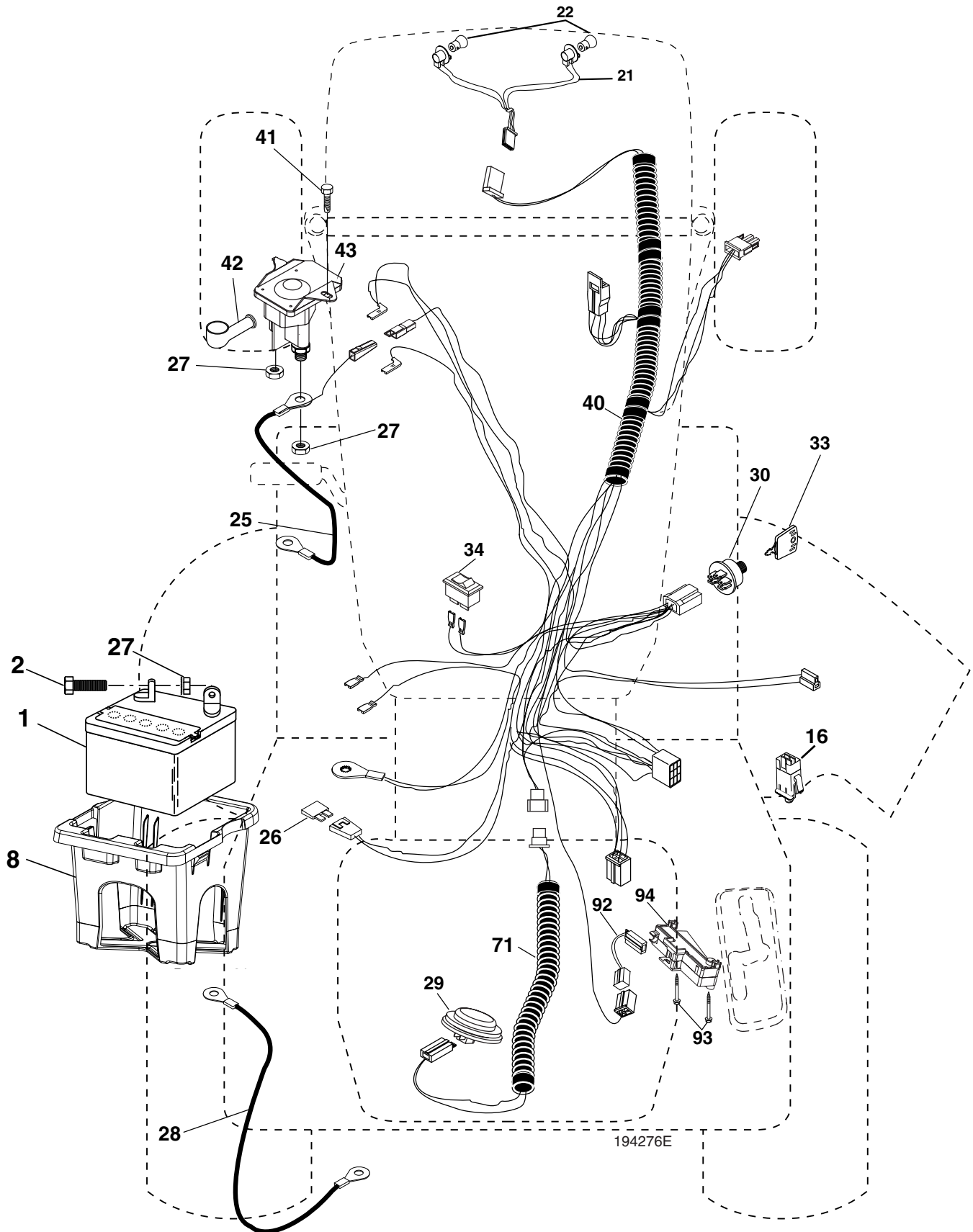


NON-REMOVABLE CONNECTIONS



REMOVABLE CONNECTIONS

**TRACTOR - - MODEL NUMBER YT1942T (96043000300), PRODUCT NO. 960 43 00-03
ELECTRICAL**

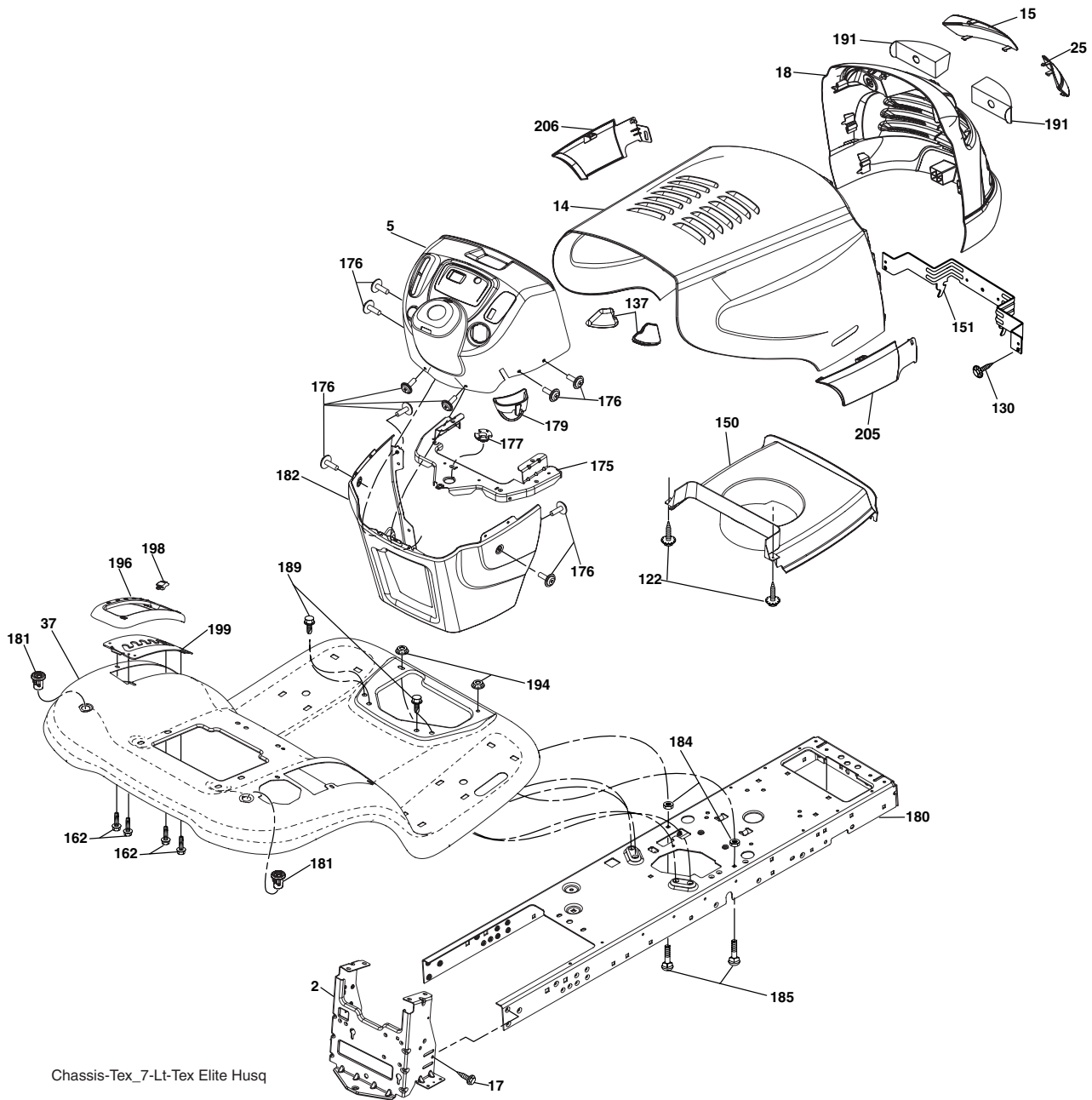


**TRACTOR - - MODEL NUMBER YT1942T (96043000300), PRODUCT NO. 960 43 00-03
ELECTRICAL**

KEY NO.	PART NO.	DESCRIPTION
1	532 14 49-27	Battery
2	874 76 04-12	Bolt Hex Head 1/4-20 x 3/4
8	532 19 32-28	Box Battery
16	532 17 61-38	Switch Interlock Push-In
21	532 18 37-59	Harness Socket Light W/4152J
22	532 00 41-52	Bulb Light
25	532 40 16-62	Cable Starter
26	532 17 51-58	Fuse
27	873 51 04-00	Nut Keps Hex 1/4-20 unc
28	532 19 88-85	Cable, Ground
29	532 40 15-45	Switch, Seat
30	532 19 33-50	Switch, Ign
33	532 14 04-01	Key, Ignition
34	532 11 07-12	Switch Light / Reset
40	532 40 10-98	Harness Ign.
41	817 72 04-08	Screw Thd Cut 1/4-20 x 1/2
42	532 13 15-63	Cover, Terminal
43	532 19 25-07	Solenoid
55	817 49 05-08	Screw Thdrol 5/16-18 x 1/2 TYTT
71	532 40 04-49	Harness Ign. Dash
92	532 19 66-15	Harness Pigtail Reverse Switch
93	532 19 25-40	Screw Plastite 10-14 x 2.0
94	532 19 18-34	Module Reverse ROS

NOTE: All component dimensions given in U.S. inches
1 inch = 25.4 mm

TRACTOR - - MODEL NUMBER YT1942T (96043000300), PRODUCT NO. 960 43 00-03 CHASSIS



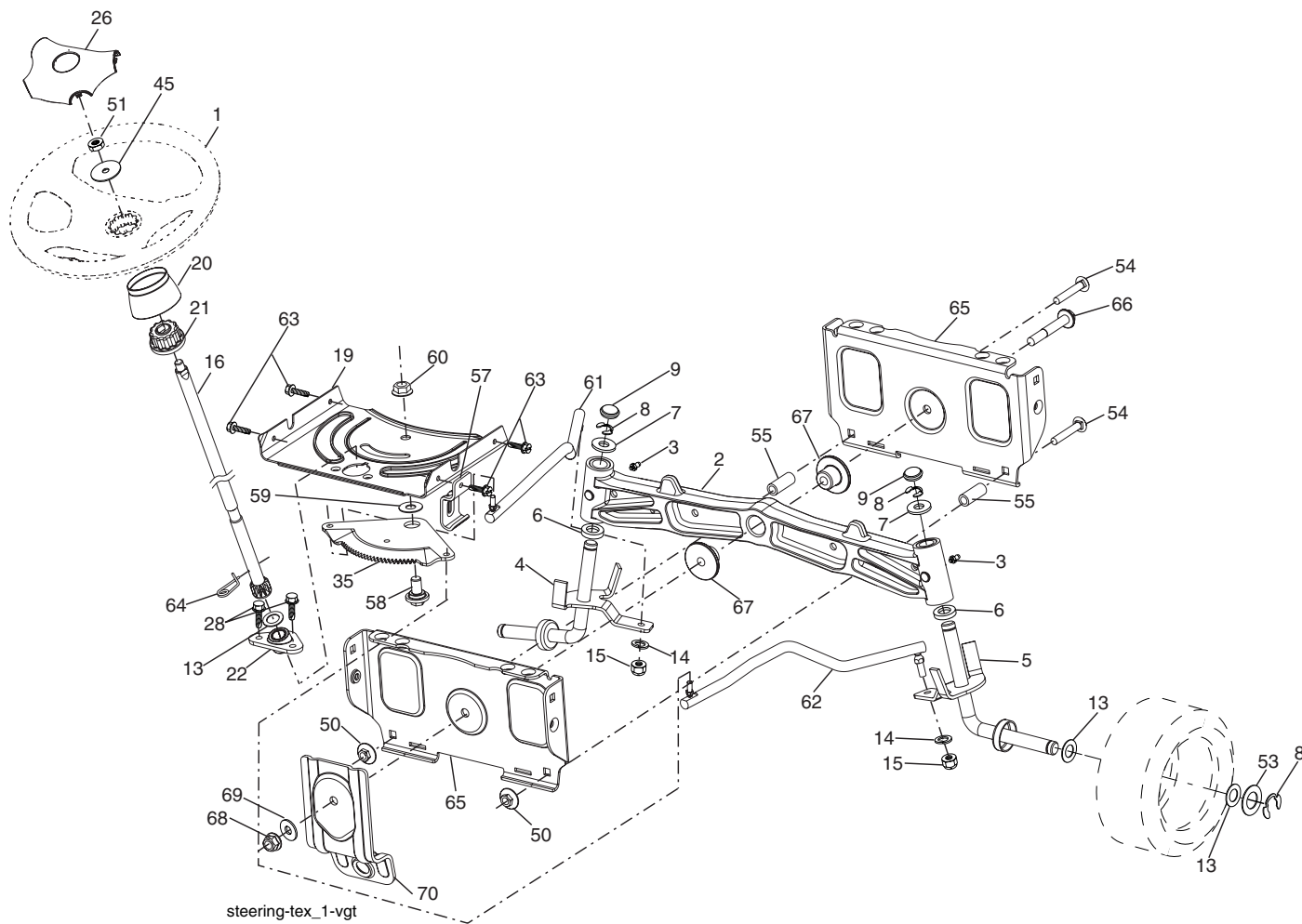
KEY NO.	PART NO.	DESCRIPTION
2	532 19 42-63	Drawbar
5	532 40 29-50	Dash
14	532 18 99-77	Hood
15	532 18 99-82	Lens LH
17	817 06 06-12	Screw 3/8-16 x .75
18	532 18 82-69	Grille/Lens Asm.
25	532 18 99-81	Lens RH
37	532 40 29-53	Fender
122	532 19 25-12	Screw 10-32 x 5/8
130	532 19 16-11	Screw 10 x 3/4 Single Lead-Hex
137	532 18 49-21	Bumper Hood
138	532 40 29-54	Cupholder
150	532 19 85-13	Air Duct
151	532 17 47-14	Bracket Pivot
162	532 14 24-32	Screw
175	532 19 32-43	Crossmember
176	532 19 32-32	Screw 10-24 x 5/8
177	532 19 52-27	Bushing Steering

KEY NO.	PART NO.	DESCRIPTION
179	532 40 07-96	Plug Cruise Control
180	532 19 42-60	Chassis
181	532 40 30-25	Bushing Mtg. Fender Crgo
182	532 19 30-57	Dash Lower
184	532 19 57-80	Spacer Fender
185	872 11 05-10	Bolt Carraige 5/16-18 x 1-1/4 Gr. 5
189	817 00 05-12	Screw 5/16-18 x 3/4
191	532 18 82-67	Insert Lens
194	873 90 05-00	Nut Lock Hex Flange 5/16-18
196	532 40 28-43	Console Asm. Deck Lift
197	532 15 65-24	Rod Pivot Chassis/Hood
198	532 40 29-55	Indicator Deck Lift
199	532 19 63-76	Plate Deck Lift
205	532 18 99-78	Skirt Side RH
206	532 18 99-79	Skirt Side LH

28 NOTE: All component dimensions given in U.S. inches
1 inch = 25.4 mm

TRACTOR - - MODEL NUMBER YT1942T (96043000300), PRODUCT NO. 960 43 00-03

STEERING ASSEMBLY

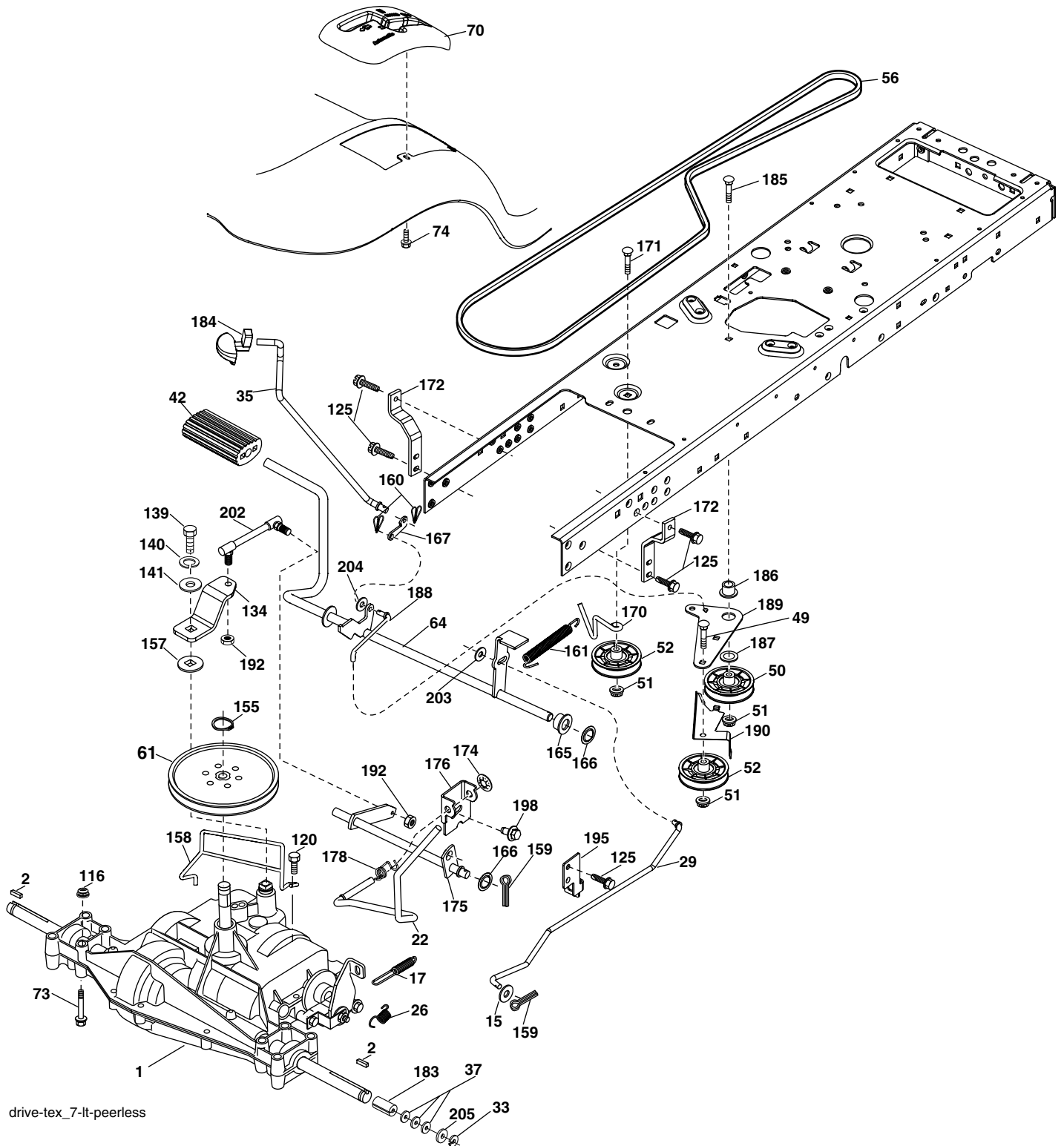


KEY NO.	PART NO.	DESCRIPTION
1	532 19 39-43	Wheel, Steering
2	532 19 59-68	Axle Asm., Front
3	532 18 32-26	Fitting, Grease
4	532 19 47-43	Spindle Asm., LH
5	532 19 47-44	Spindle Asm., RH
6	532 12 49-31	Bearing, Race Thrust Harden
7	532 12 17-48	Washer 25/32 x 1-5/8 x 16 Ga.
8	812 00 00-29	Ring, Klip #T5304-75
9	532 12 12-32	Cap, Spindle
13	532 12 17-49	Washer 25/32 x 1-1/4 x 16 Ga.
14	810 04 06-00	Washer, Lock Hvy Hlcl Spr 3/8
15	873 54 06-00	Nut, Crown Lock 3/8-24 unf
16	532 19 47-46	Shaft Steering
19	532 19 47-29	Plate Steering
20	532 40 29-60	Boot, Steering
21	532 18 67-37	Adapter, Wheel Steering
22	532 19 48-45	Bushing, Strg. Blk
26	532 19 36-52	Insert, Wheel Steering
28	817 00 06-12	Screw 3/8-16 x 3/4
35	532 19 47-32	Gear, Sector Plate
45	819 11 38-12	Washer 11/32 ID x 2-3/8 x 12 Ga.
48	817 06 06-12	Screw 3/8-16 x .75
50	873 90 06-00	Nut Lock 3/8-16 unc

KEY NO.	PART NO.	DESCRIPTION
51	873 94 08-00	Nut Hex Jam Toplock 1/2-20 unf
53	532 18 89-67	Washer Hardened .793 x 1.637 x .060
54	874 76 06-36	Bolt Hex 3/8-16 unc x 2-1/4
55	532 19 76-36	Spacer Brace Axle
57	532 19 72-46	Bracket Upstop
58	532 19 47-47	Bolt Shoulder Sector Pivot CFM
59	532 19 47-48	Washer Thrust Sector Steering
60	873 97 10-00	Nut Flange Lock 5/8-11
61	532 19 47-40	Draglink LH
62	532 19 47-41	Draglink, RH
63	817 00 05-12	Screw 5/16-18 x 3/4
64	532 19 98-49	Retainer Clip Spring Steering
65	532 19 47-34	Brace Axle Front
66	871 02 07-48	Bolt Hex Fghd 7/16-14 x 3 Serr
67	532 19 47-37	Bushing PM Front Axle
68	873 90 07-00	Nut Lock Flange 7/16-14 Gr. 5
69	532 19 91-62	Washer 1.5 x .505 x .118
70	532 19 61-97	Bracket Deck Susp. Front

NOTE: All component dimensions given in U.S. inches
1 inch = 25.4 mm

**TRACTOR - - MODEL NUMBER YT1942T (96043000300), PRODUCT NO. 960 43 00-03
DRIVE**



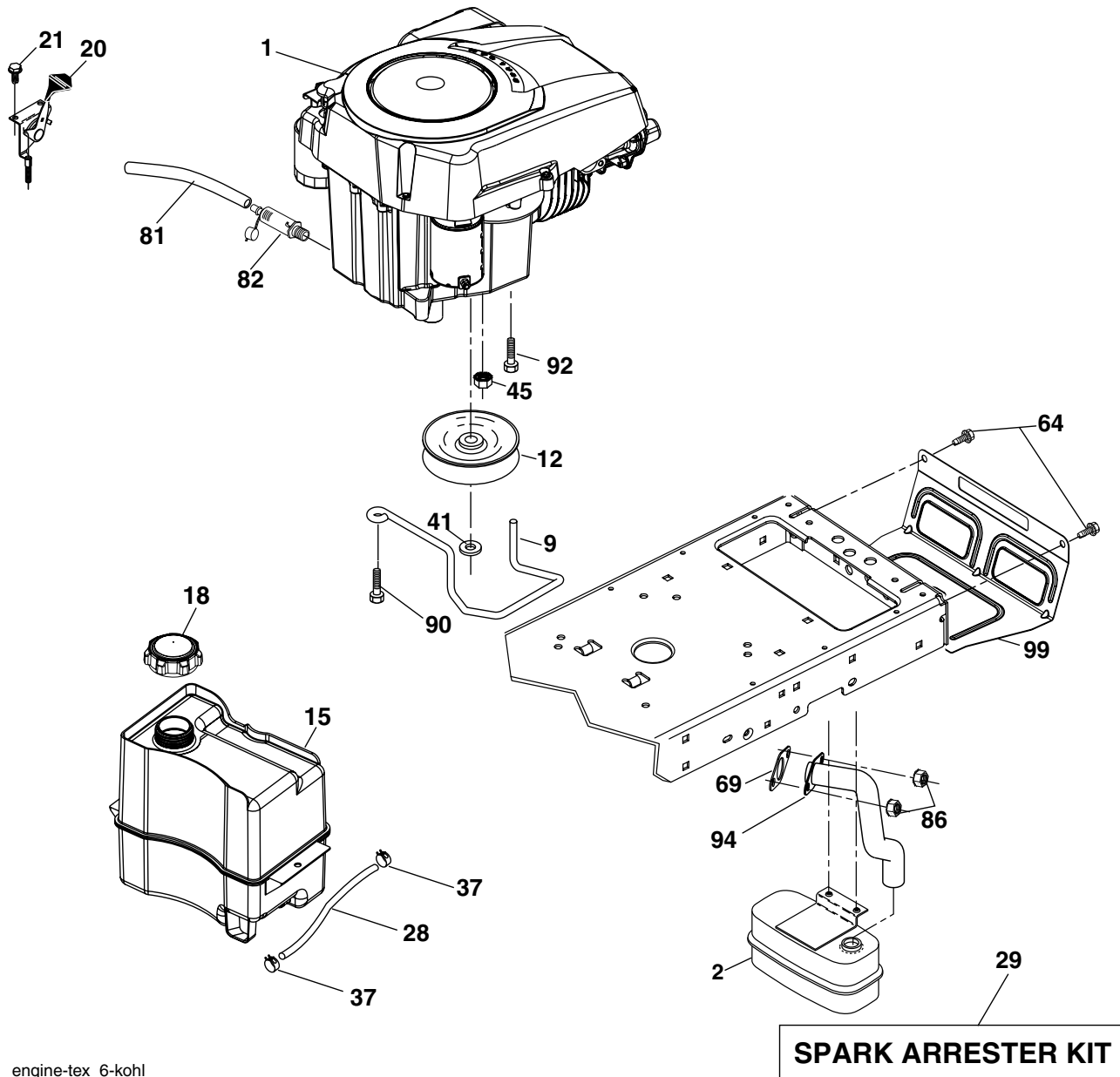
drive-tex_7-lt-peerless

**TRACTOR - - MODEL NUMBER YT1942T (96043000300), PRODUCT NO. 960 43 00-03
DRIVE**

KEY NO.	PART NO.	DESCRIPTION	KEY NO.	PART NO.	DESCRIPTION
1	-----	Transaxle, Peerless 206-565 (Order Parts from Transaxle Manufacturer)	158	532 19 43-52	Belt Keeper
2	532 12 35-83	Key Square	159	876 02 04-12	Pin Cotter 1/8 x 3/4
15	819 13 13-16	Washer 13/32 x 13/16 x 16 Ga.	160	532 16 94-84	Retainer Clip
17	532 19 72-97	Spring, Brake	161	532 19 54-03	Spring, Return, Clutch
22	532 19 76-60	Rod Shift	165	532 19 62-12	Busing Shaft Brake Hand Control
26	532 19 74-55	Spring Brake Return	166	532 19 72-90	Nut Push .625
29	532 19 72-67	Rod, Brake	167	532 19 62-11	Latch Brake Parking
33	812 00 00-01	Ring E	170	532 19 43-22	Keeper Belt Centerspan
35	532 19 77-22	Rod, Brake, Park	171	872 11 06-16	Bolt
37	532 12 17-49	Washer 25/32 x 1-1/4 x 16 Ga.	172	532 19 76-57	Strap Torque LH
42	532 12 48-72	Cover, Foot Pedal	174	532 19 72-89	Nut Push
49	872 11 06-14	Bolt	175	532 19 62-24	Shaft Asm. Shift
50	532 19 43-27	Pulley Idler Flat	176	532 19 62-14	Arm Clevis Rod Shift
51	873 90 06-00	Lock Nut 3/8-16	178	532 19 74-56	Spring Shift
52	532 19 43-26	Idler V-Groove 910" Offset	183	532 13 70-57	Spacer Axle
56	532 19 43-46	V-Belt, Drive	184	532 41 12-89	Parking Brake Handle
61	532 12 36-66	Pulley transaxle	185	872 11 06-20	Bolt
64	53219 62-00	Shaft Asm. Pedal Brake Control	186	532 19 43-21	Spacer Retainer
70	532 40 30-24	Console	187	819 13 32-10	Washer
73	874 49 05-44	Bolt Hex Flghd 5/16-18 x 3.0 Gr. 5	188	532 19 43-23	Link Clutch Ground Drive
74	532 14 24-32	Screw 1/4 x 1/2	189	532 19 43-17	Bellcrank Ground Drive
116	873 90 05-00	Nut Lock Hex Flange 5/16-18	190	532 19 43-18	Keeper Bellcrank Ground Drive
120	817 06 05-12	Screw 5/16-18 x 3/4	192	532 15 03-60	Nut Lock Center 1/4-28 Fnthd
125	817 00 05-12	Screw 5/16-18 x 3/4	195	532 19 73-32	Bracket Brake Rod
134	532 19 76-58	Asm Shift	198	532 19 94-96	Screw 7/16-14 x 7/8
139	874 55 04-12	Bolt 1/4-28 unf Gr. 8 w/Patch	202	532 16 62-31	Link Transaxle
140	810 04 04-00	Washer Lock Hvy Helical 1/4	203	819 11 11-16	Washer 11/32 x 11/16 x 16 Ga.
141	819 09 12-10	Washer 9/32 x 3/4 x 10 Ga.	204	532 19 51-61	Stud Fastener
155	812 00 00-28	Ring Retainer	205	532 12 17-48	Washer 25/32 x 1-5/8 16 Ga.
157	532 10 57-01	Washer Plate Shift			

NOTE: All component dimensions given in U.S. inches
1 inch = 25.4 mm

**TRACTOR - - MODEL NUMBER YT1942T (96043000300), PRODUCT NO. 960 43 00-03
ENGINE**



engine-tex_6-kohl

KEY NO.	PART NO.	DESCRIPTION
1	-----	Engine Kohler Model No. SV590
2	532 18 86-55	Muffler
9	532 19 43-19	Keeper Belt Engine
12	532 19 43-32	Pulley Engine
15	532 19 42-66	Tank Fuel 4.0
18	532 19 77-25	Cap Asm
20	532 40 15-08	Control Throttle
21	532 19 16-11	Screw 10 x 3/4 Single Lead-Hex
28	532 40 11-37	Fuel Line
29	532 13 71-80	Spark Arrester Kit
37	532 12 34-87	Clamp Hose
42	810 04 07-00	Washer Lock 7/16
43	532 17 39-37	Bolt Hex 7/16-20 x 4 Gr. 5
45	873 51 04-00	Nut Keps Hex 1/4-20 unc
64	817 00 06-12	Screw Hexwsh Thdrol 3/8-16 x 3/4
69	-----	Gasket (Order From Eng. Mfr.)

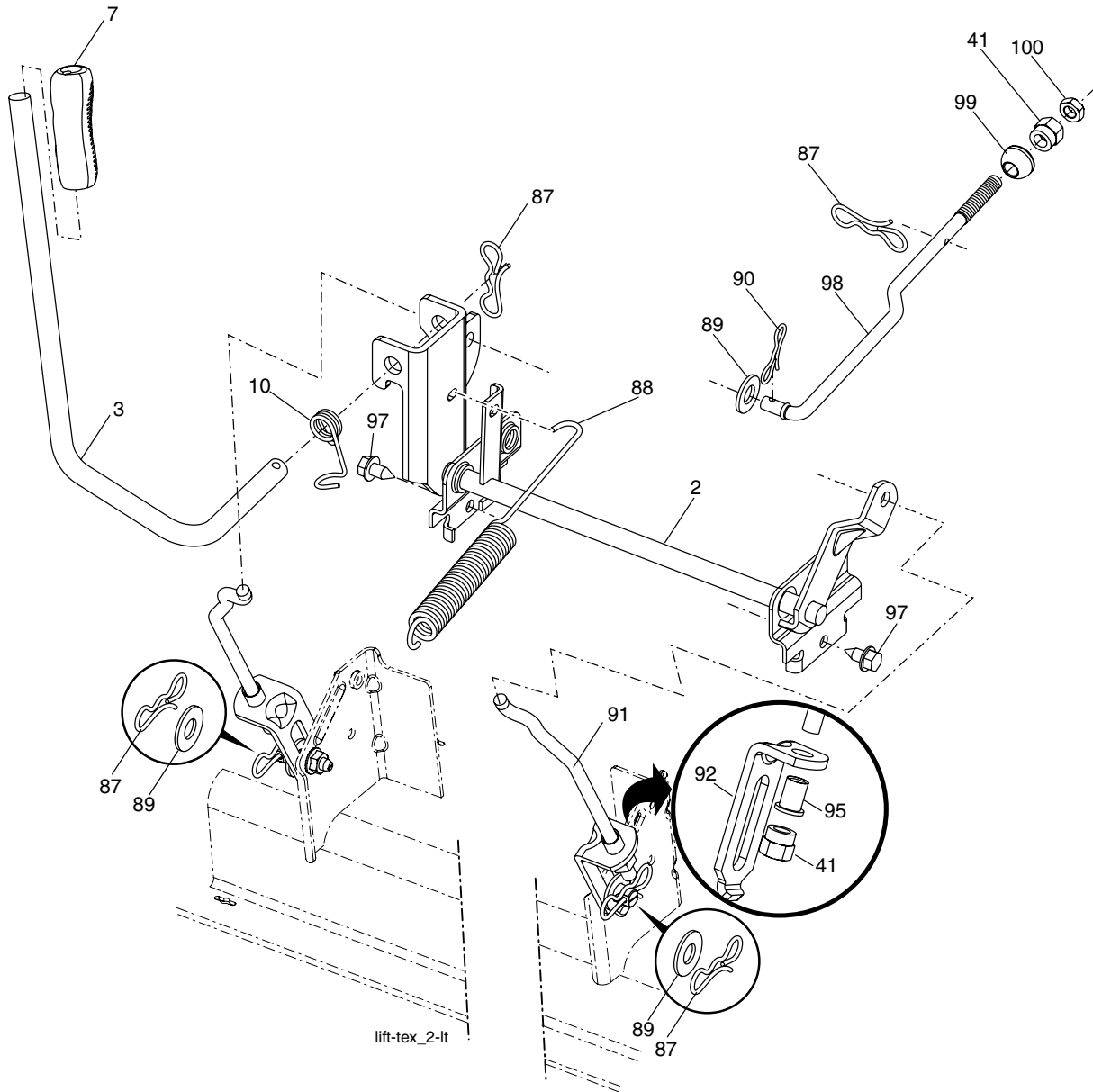
KEY NO.	PART NO.	DESCRIPTION
81	148456	Tube Drain Oil Easy
82	181654	Plug Drain Oil
83	532 17 18-77	Bolt 5/16-18 unc x 3/4 w/Sems
92	817 12 06-16	Screw 3/8-16 x 1
94	532 18 86-54	Tube Exhaust
99	532 19 43-29	Shield Browning/Debris

NOTE: All component dimensions given in U.S. inches
1 inch = 25.4 mm

For engine service and replacement parts, call the toll free number for your engine manufacturer listed below:

Briggs & Stratton	1-800-233-3723
Kohler Co.	1-800-544-2444
Tecumseh Products	1-800-558-5402
Honda Engines	1-800-426-7701
Kawasaki	1-949-460-5688

**TRACTOR - - MODEL NUMBER YT1942T (96043000300), PRODUCT NO. 960 43 00-03
MOWER LIFT**

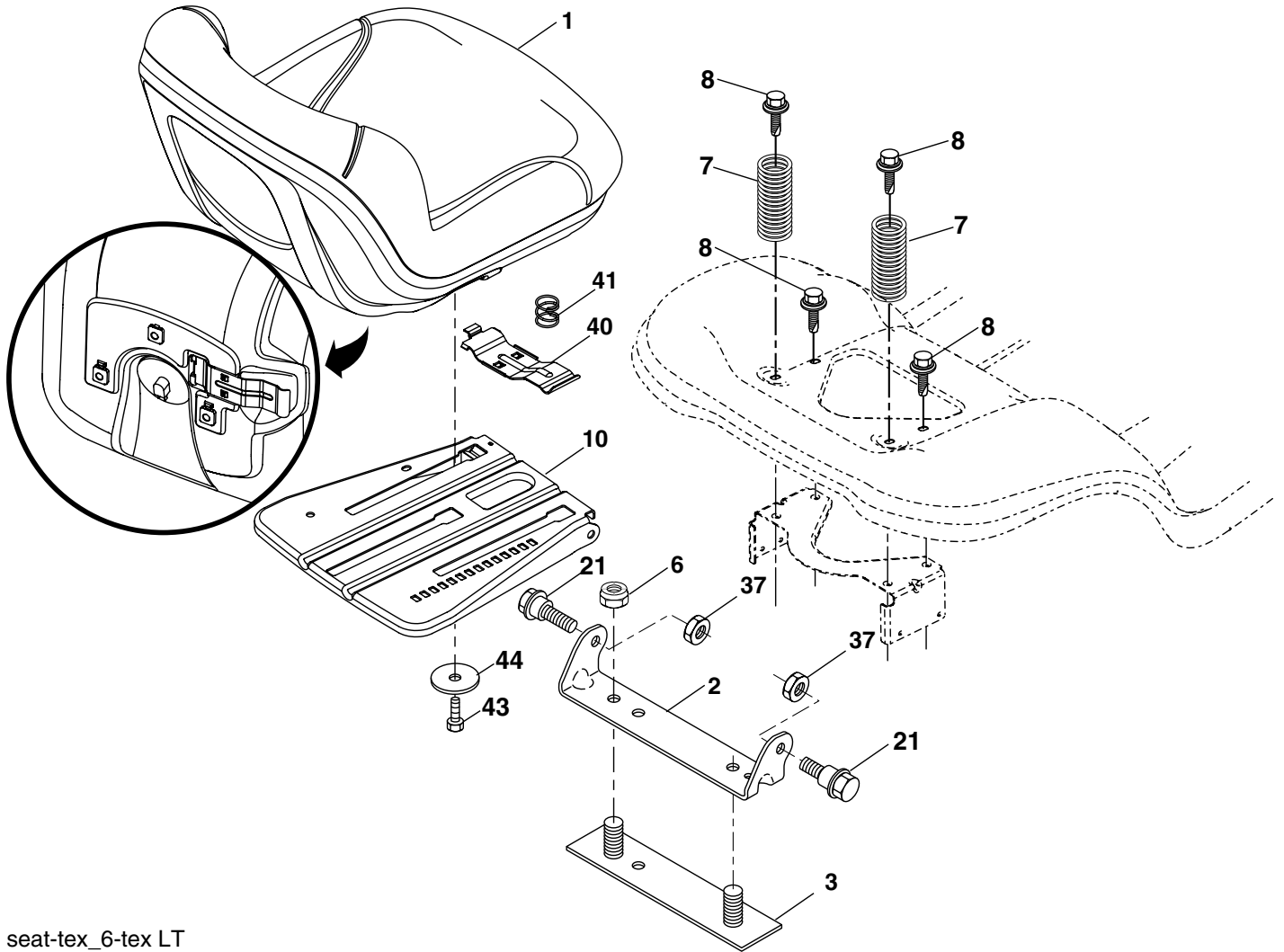


KEY NO.	PART NO.	DESCRIPTION
2	532 19 52-23	Shaft Asm., Lift
3	532 19 52-31	Lever Asm., Lift Rh
7	532 19 64-92	Grip, Lever
10	532 19 63-14	Spring Torsion
41	532 17 59-94	Nut, 7/16-20
87	532 19 42-09	Pin Cotter 7/16 Bow Tie Lock
88	532 19 53-03	Spring Lift Assist
89	819 19 19-12	Washer Clear Zinc
90	532 19 42-08	Pin Cotter 5/16 Bow Tie Lock

KEY NO.	PART NO.	DESCRIPTION
91	532 19 51-79	Link Lift Susp Mower Rear
92	532 19 51-74	Bracket Connect Link Lift
95	532 19 51-71	Bushing Alignment Link Lift
97	817 06 06-12	Screw 3/8-16 x .75 Smgml Tap/R.Z
98	532 19 57-40	Link Lift Susp. Front Mower
99	532 19 52-63	Bushing Spherical Susp Front
100	873 36 07-00	Nut Hex Jam ASF 7/16-20 unf

NOTE: All component dimensions given in U.S. inches
1 inch = 25.4 mm

**TRACTOR - - MODEL NUMBER YT1942T (96043000300), PRODUCT NO. 960 43 00-03
SEAT ASSEMBLY**



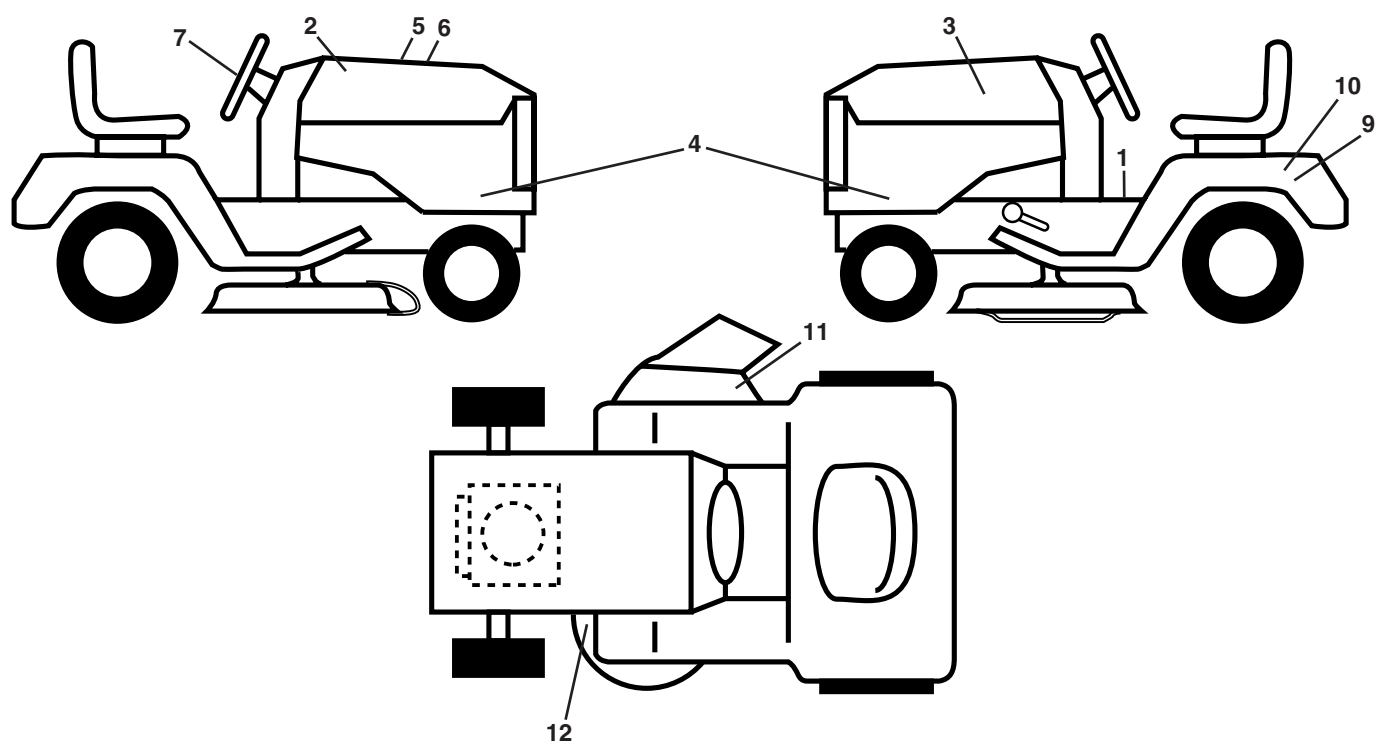
seat-tex_6-tex LT

KEY NO.	PART NO.	DESCRIPTION
1	532 19 75-18	Seat
2	532 18 01-66	Bracket Pivot Fender
3	532 14 06-75	Strap, Asm Fender
5	532 14 50-06	Clip, Push In, Hinged
6	873 80 06-00	Nut, Lock W/Ins. 3/8-16 unc
7	532 12 41-81	Spring, Seat Cprsn
8	532 17 18-77	Bolt 5/16-18 uncx 3/4 w/Sems
10	532 19 69-77	Pan, Seat

KEY NO.	PART NO.	DESCRIPTION
21	532 17 18-52	Bolt, Shoulder 5/16-18
37	873 80 05-00	Nut, Lock 5/16-18 unc
40	532 19 76-61	Handle Slide Seat
41	532 19 82-00	Spring Latch Seat
43	874760612	Bolt Fin Hex 3/8-16 unc x 3/4
44	819133812	Washer 13/32 x 2-3/8 x 12 Ga.

NOTE: All component dimensions given in U.S. inches
1 inch = 25.4 mm

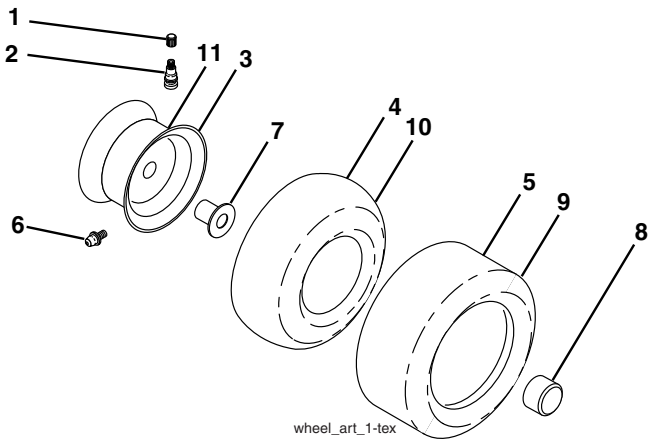
**TRACTOR - - MODEL NUMBER YT1942T (96043000300), PRODUCT NO. 960 43 00-03
DECALS**



KEY NO.	PART NO.	DESCRIPTION
1	532 40 20-15	Decal, Operators
2	532 18 89-18	Decal, Hood RH
3	532 18 89-19	Decal, Hood LH
4	532 40 21-43	Decal, Hood Panel
5	532 18 09-41	Decal, Customer Respons.
6	532 40 18-59	Decal, Replacement
7	532 18 89-25	Decal, Steering Wheel
9	532 14 95-16	Decal, Battery Dnge/Poi

KEY NO.	PART NO.	DESCRIPTION
10	532 13 80-47	Decal, Battery
11	532 17 05-63	Decal, Warning
12	532 16 03-96	Decal, Mower V-Belt Schematic
--	532 40 29-76	Pad, Footrest, LH
--	532 40 29-78	Pad, Footrest, RH
--	532 40 19-72	Manual, Owner's (English)
--	532 40 19-73	Manual, Owner's (French)

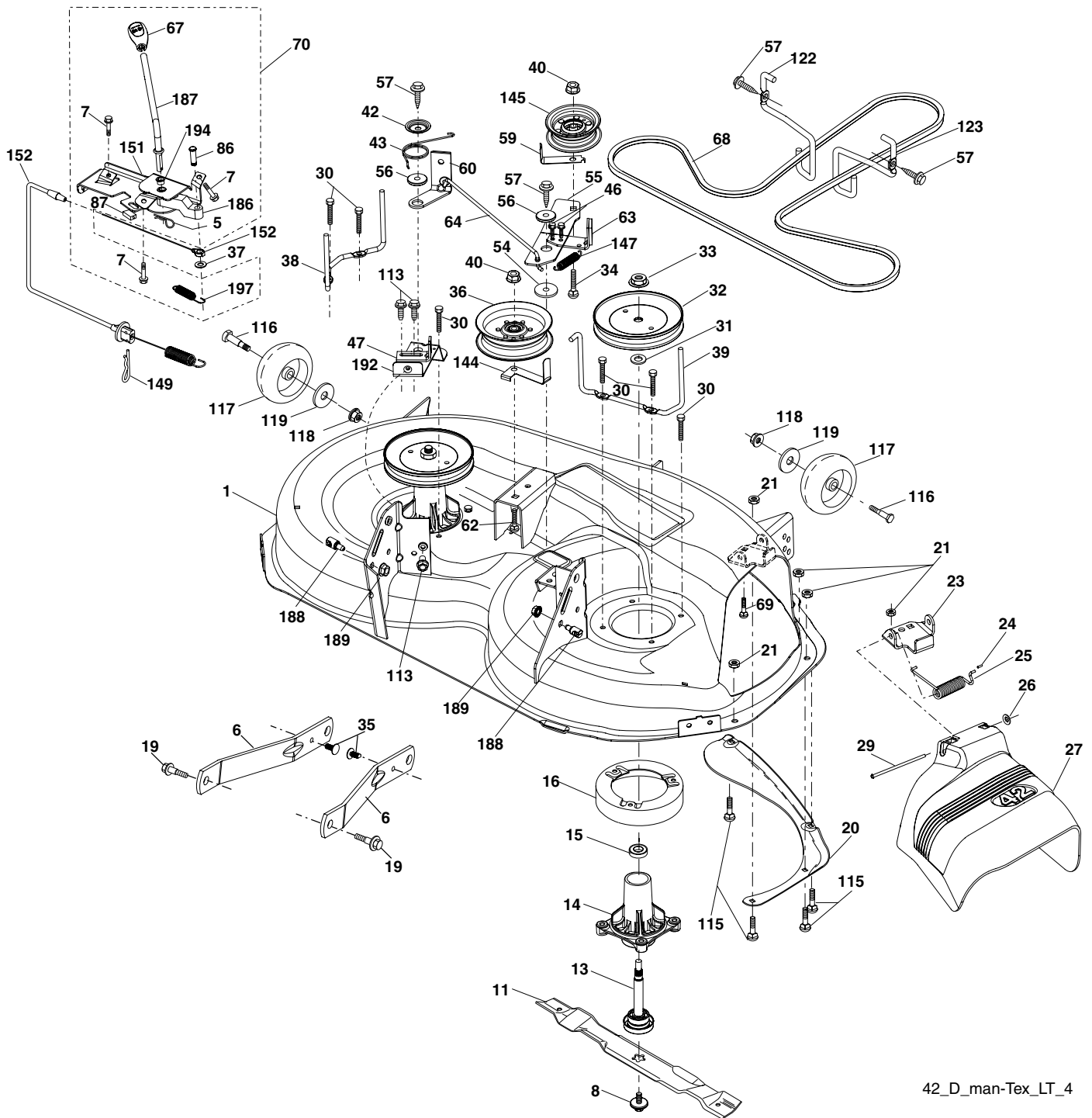
WHEELS AND TIRES



KEY NO.	PART NO.	DESCRIPTION
1	532 05 91-92	Cap Valve Tire
2	532 06 51-39	Stem Valve
3	532138336	Rim Asm 6" Front Service
4	532 05 99-04	Tube Front (Service Item Only)
5	532106222	Tire F T 15 x 6 0 - 6
6	532 12 49-57	Fitting Grease (Front Wheel Only)
7	532 12 49-59	Bearing Flange (Front Wheel nly)
8	532 17 50-39	Cap Axle Blk 1 50 x 1 00
9	532 13 84-68	Tire R T 18 x 9.5-8 Service
10	532 12 49-26	Tube Rear (Service Item Only)
11	532 13 83-37	Rim Asm 8" rear Service
--	532 14 43-34	Sealant, Tire (10 oz. Tube)

NOTE: All component dimensions given in U.S. inches
1 inch = 25.4 mm

**TRACTOR - - MODEL NUMBER YT1942T (96043000300), PRODUCT NO. 960 43 00-03
MOWER DECK**



42_D_man-TeX_LT_4

**TRACTOR - - MODEL NUMBER YT1942T (96043000300), PRODUCT NO. 960 43 00-03
MOWER DECK**

KEY NO.	PART NO.	DESCRIPTION	KEY NO.	PART NO.	DESCRIPTION
1	532 40 29-99	Mower Housing	59	532 17 34-42	Guard, Tuv Idler
5	532 12 46-70	Retainer Spring	60	532 10 94-02	Arm Brake Mower
6	532 19 51-86	Arm Suspension	62	872 11 06-16	Bolt Rd Hd Sq Nk 3/8-16 unc x 2
7	532 19 16-11	Screw 10 x 3/4 Single Lead Hex	63	532 19 94-78	Arm Brake Mower
8	532 19 30-03	Bolt/Washer asm 7/16-20 unf	64	532 19 73-83	Link Brake LH
11	532 13 89-71	Blade, 42" Hi-Lift (For bagging or discharge)	65	532 19 90-92	Spacer Retainer
--	532 13 41-49	Blade, 42" Mulching Std (For mulching mowers only)	67	532 40 30-12	Handle Clutch Cable
--	532 13 97-75	Blade, 42" Mulching Premium (For better wear when mulching)	68	532 19 72-53	V-Belt
13	532 19 28-72	Shaft Assembly, Mandrel	69	872 14 05-05	Bolt
14	532 18 72-81	Housing, Mandrel	70	532 19 97-79	Clutch Asm Manual
15	532 11 04-85	Bearing, Ball, Mandrel	86	532 19 77-98	Pin Attachment Cable
16	532 17 44-93	Stripper, Mower Deck	87	532 19 78-02	Switch Interlock Clutch Cable
19	532 19 65-39	Bolt, Shoulder	88	532 19 32-32	Screw 10-24 x 5/8
20	532 15 97-70	Baffle, Vortex	113	817 00 05-10	Screw 5/16-18
21	873 68 05-00	Nut, Crownlock 5/16-18 unc	115	872 11 05-05	Bolt Carr. 5/16-18 x 5/8
23	532 19 25-57	Bracket, Deflector	116	532 12 48-42	Bolt, Shoulder
24	532 10 53-04	Cap, Sleeve	117	532 18 86-06	Wheel, Gauge
25	532 19 70-26	Spring, Torsion, Deflector	118	873 93 06-00	Nut, Crownlock 3/8-1
26	532 11 04-52	Nut, Push	119	819 12 14-14	Washer 13/32 x 7/8 x 14 Ga.
27	532 40 30-04	Shield, Deflector	122	532 19 72-58	Keeper Belt Engine LH
29	532 13 14-91	Rod, Hinge	123	532 19 72-59	Keeper Belt Engine RH
30	532 17 39-84	Screw Thdrol Rolling Wsh Hd	144	532 19 92-04	Keeper Belt
31	532 18 76-90	Washer, Spacer	145	532 17 79-68	Pulley Idler
32	532 19 59-45	Pulley, Mandrel	147	532 40 19-71	Spring Return
33	532 40 02-34	Nut, Toplock, Flanged	149	532 16 58-98	Retainer Spring
34	872 11 06-12	Bolt Carr Sh. 3/8-16 x 1-1/2 Gr. 5	151	532 19 83-31	Bracket
36	532 19 61-06	Pulley, Idler, Flat	152	532 19 72-57	Manual Clutch Cable
37	819 13 13-16	Washer	186	532 19 77-99	Arm Actuator
38	532 19 91-89	Keeper Belt LH Mandrel	187	532 19 78-00	Lever Control Clutch
39	532 19 91-91	Keeper Belt RH Mandrel	188	532 19 51-61	Stud Fastener
40	873 90 06-00	Nut, Lock Flg. 3/8-16 unc	189	873 90 05-00	Nut Lock Hex Flange
42	532 19 84-10	Spring Torsion Brake	192	532 19 72-60	Bracket Brake Stand LH
43	532 19 72-56	Spring Torsion Retainer	194	532 19 77-97	Bearing Control Lever Clutch
46	532 13 77-29	Screw Thd Roll 1/4-20 x 5/8	197	532 19 78-01	Spring Plunger Actuator
47	532 19 72-50	Bracket Clutch Cable	--	532 19 28-70	Mandrel Assembly (Includes housing, shaft and shaft hardware only-pulley not included)
54	532 17 85-15	Washer, Hardened	--	532 40 20-22	Replacement Mower, Complete
55	532 19 72-49	Arm, Idler			
56	532 19 90-92	Spacer, Retainer			
57	817 00 06-16	Screw 3/8-16 x 1			

NOTE: All component dimensions given in U.S. inches
1 inch = 25.4 mm