

LOYTH20F42T

Repair Parts Manual

HOW TO USE THIS MANUAL

This manual is designed to provide the customer with a means to identify the parts on his/her tractor when ordering repair parts. The illustrations may or may not represent the actual assemblies; therefore, it is not recommended to use this manual as a guide to assemble or disassemble the tractor. Some hardware and parts are drawn larger in order to more readily identify them.

Each tractor has its own model number.

The model number for your tractor can be found on the fender under the seat.

When ordering parts, always give the following information:

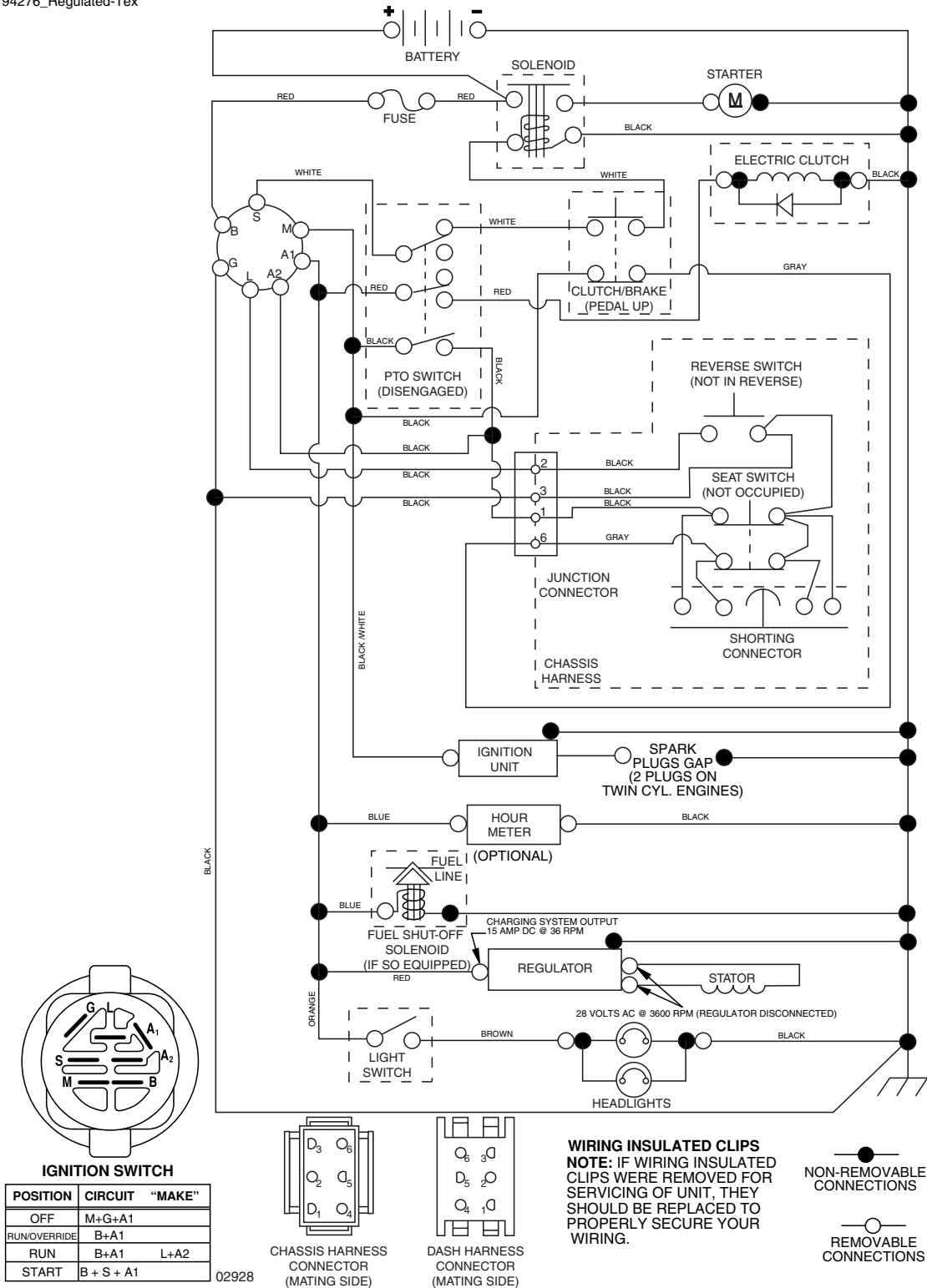
- Product - “Tractor”
- Model Number - “**LOYTH20F42T (96045000200)**”
- Part Number
- Part Description

TABLE OF CONTENTS

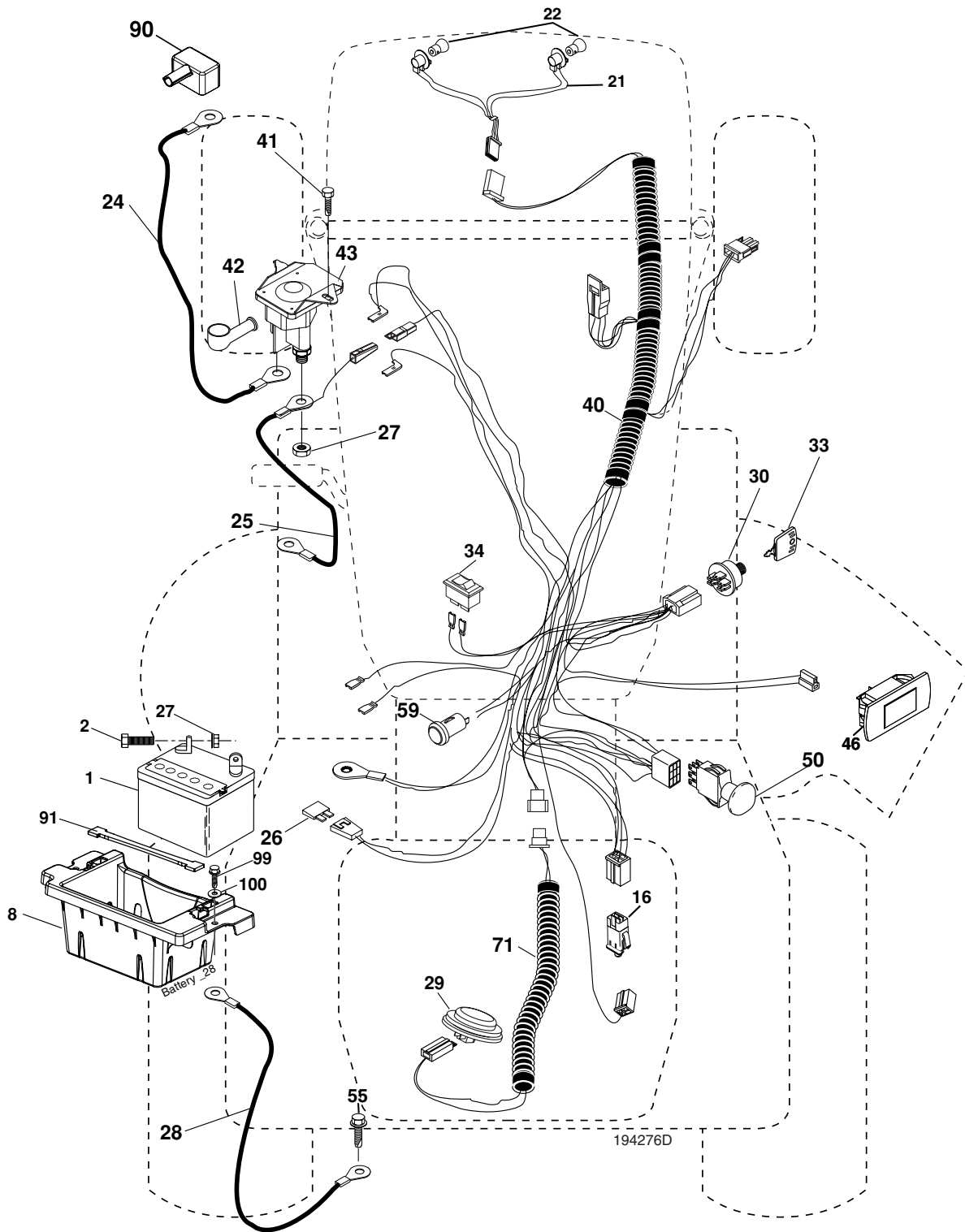
SCHEMATIC.....	3
ELECTRICAL	4-5
CHASSIS.....	6
STEERING	7
DRIVE.....	8-9
ENGINE.....	10
MOWER LIFT	11
SEAT.....	12
DECALS	13
MOWER DECK	14-15
WARRANTY	16

TRACTOR -- MODEL NUMBER LOYTH20F42T (96045000200), PRODUCT NO. 960 45 00-02 SCHEMATIC

02928-194276_Regulated-Tex



TRACTOR -- MODEL NUMBER LOYTH20F42T (96045000200), PRODUCT NO. 960 45 00-02
ELECTRICAL

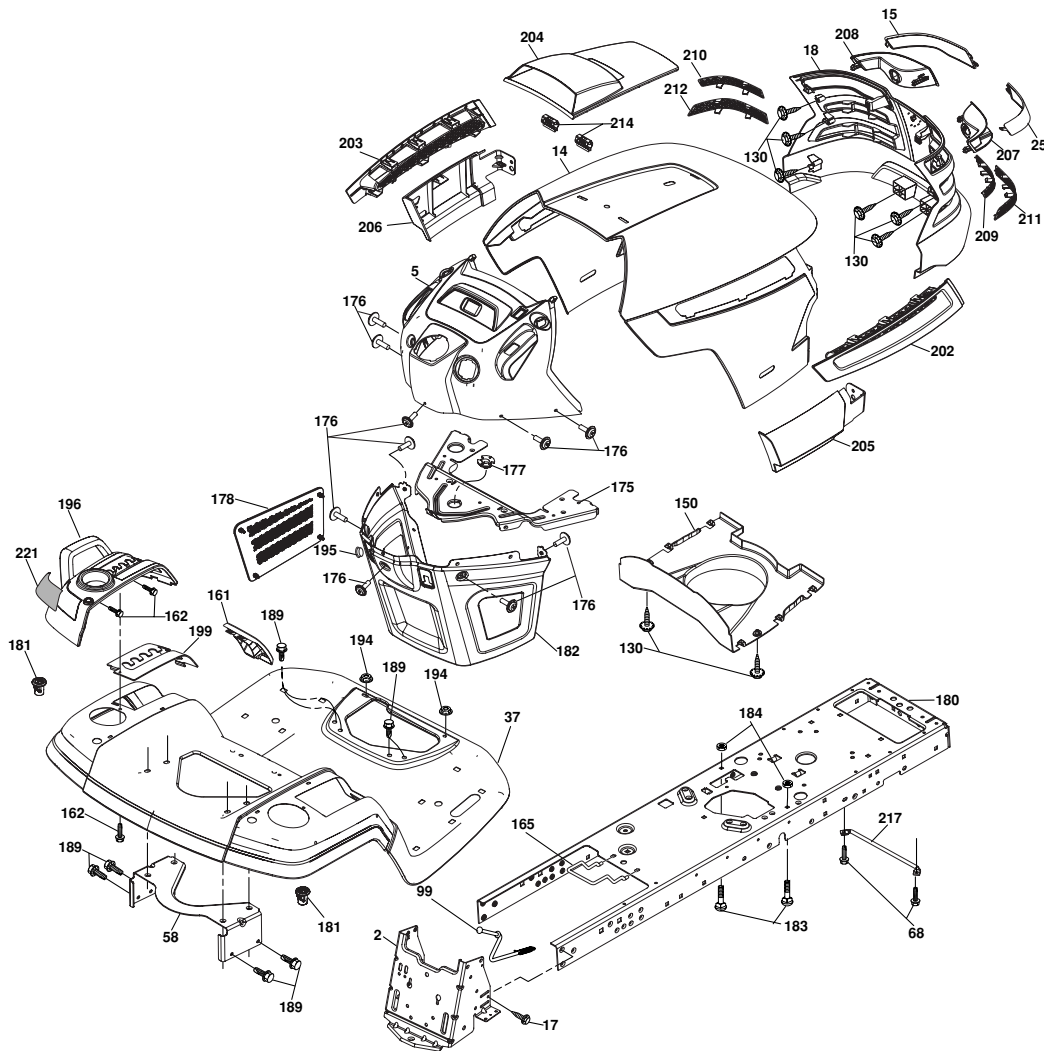


**TRACTOR -- MODEL NUMBER LOYTH20F42T (96045000200), PRODUCT NO. 960 45 00-02
ELECTRICAL**

KEY NO.	PART NO.	DESCRIPTION
1	532 14 49-27	Battery
2	874 76 04-12	Bolt Hex Head 1/4-20 x 3/4
8	532 18 64-91	Box Battery
16	532 17 61-38	Switch Interlock Push-In
21	532 18 37-59	Harness Socket Light W/4152J
22	532 00 41-52	Bulb Light
24	532 40 02-53	Cable Btry
25	532 19 88-93	Cable Starter
26	532 17 51-58	Fuse
27	873 51 04-00	Nut Keps Hex 1/4-20 unc
28	532 14 54-91	Cable, Ground
29	532 40 15-45	Switch, Seat
30	532 19 33-50	Switch, Ign
33	532 14 04-01	Key, Ignition
34	532 11 07-12	Switch Light / Reset
40	532 40 11-04	Harness Ign.
41	817 72 04-08	Screw Thd Cut 1/4-20 x 1/2
42	532 13 15-63	Cover, Terminal
43	532 19 25-07	Solenoid
46	532 19 81-38	Guage Hourmeter
50	532 19 61-12	Switch PTO
55	817 49 05-12	Screw Thdrol 5/16-18 x 3/4 TY23
71	532 19 42-76	Harness Ign. Dash
90	532 18 04-49	Cover Terminal Battery
91	532 19 02-70	Strap Battery Mount Front
99	817 67 04-12	Screw Hex Wsh Thdrol 1/4-20 x 3/4
100	819 09 14-16	Washer 9/32 x 7/8 x 16 Ga.

NOTE: All component dimensions given in U.S. inches
1 inch = 25.4 mm

**TRACTOR -- MODEL NUMBER LOYTH20F42T (96045000200), PRODUCT NO. 960 45 00-02
CHASSIS AND ENCLOSURES**



chassis-tex_9-gt-husq

**KEY PART
NO. NO.**

DESCRIPTION

2	532 40 11-40	Drawbar
5	532 40 32-05	Dash
14	532 40 18-24	Hood
15	532 19 89-07	Lens LH
17	817 06 06-12	Screw 3/8-16 x .75
18	532 40 02-97	Grille/Lens Asm.
25	532 19 89-06	Lens RH
37	532 40 18-25	Fender
58	532 19 43-14	Bracket Support Fender
68	817 49 05-08	Screw Thdrol 5/16-18 x 1/2
99	532 19 82-53	Rod Asm Bypass
130	532 19 16-11	Screw 10 x 3/4 Single Lead-Hex
150	532 19 85-13	Air duct
161	532 40 18-26	Console Fuel Window
162	532 14 24-32	Screw
165	532 19 43-30	Support Tank Rear
175	532 19 63-04	Crossmember
176	532 40 07-76	Screw #10-24 x 5/8 Rnd Qudrx Gim
177	532 19 52-27	Bushing Steering
178	532 19 97-82	Cargo Asm. Net
180	532 19 42-60	Chassis
181	532 40 30-25	Bushing Mtg. Fender Crgo
182	532 19 47-87	Dash Lower

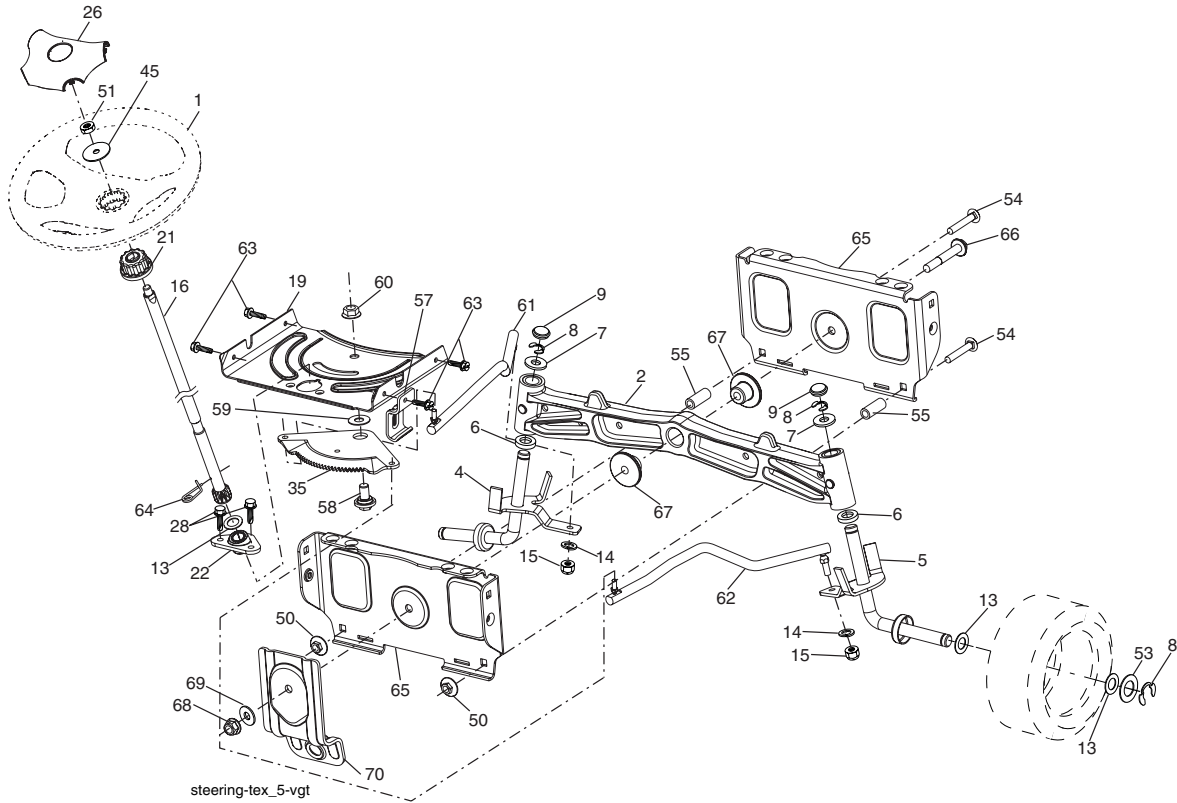
**KEY PART
NO. NO.**

DESCRIPTION

183	874 78 05-20	Bolt fin Hex 5/16-18 unc x 1-1/4
184	532 19 57-80	Spacer Fender
189	817 00 05-12	Screw 5/16-18 x 3/4
194	873 90 05-00	Nut Lock Hex Flange 5/16-18
195	532 19 90-18	Plug 12V Adapter Caplug
196	532 40 02-99	Console Asm. Deck Lift
199	532 19 82-59	Plate Deck Lift
202	532 40 30-48	Vent Side Hood RH
203	532 40 30-76	Vent Side Hood LH
204	532 19 89-04	Vent Top
205	532 40 17-09	Skirt Side RH
206	532 40 17-11	Skirt Side LH
207	532 19 71-98	Bezel RH
208	532 19 71-99	Bezel LH
209	532 19 91-30	Insert Hex Top RH
210	532 19 91-31	Insert Hex Top LH
211	532 19 91-32	Insert Hex Bot. RH
212	532 19 91-33	Insert Hex Bot. LH
214	532 19 91-45	Clip Retainer Tinner
217	532 15 65-24	Rod Pivot Chassis/Hood
221	532 19 89-09	Reflector LH

NOTE: All component dimensions given in U.S. inches 1 inch = 25.4 mm

**TRACTOR -- MODEL NUMBER LOYTH20F42T (96045000200), PRODUCT NO. 960 45 00-02
STEERING ASSEMBLY**



**KEY PART
NO. NO.**

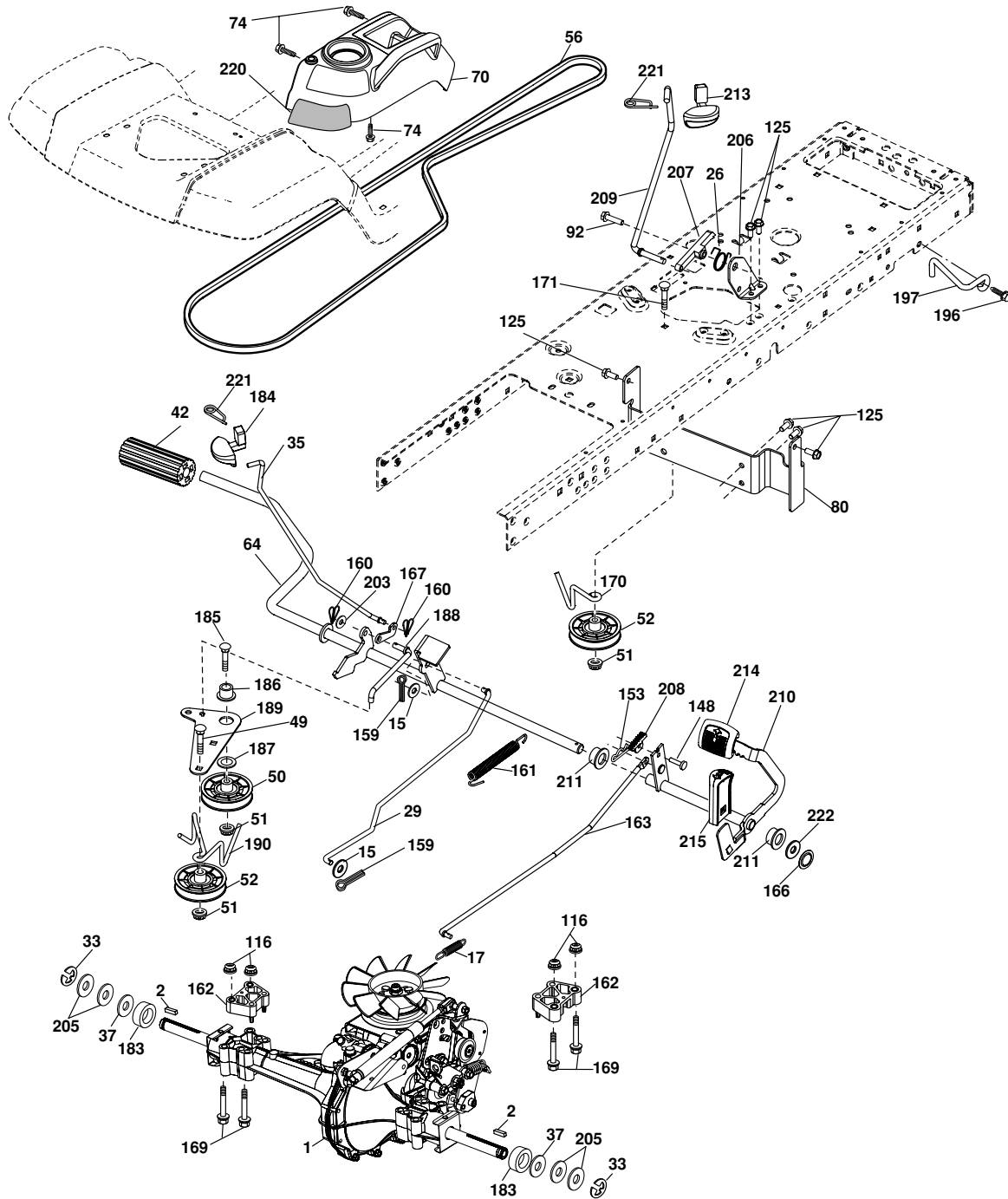
KEY PART NO.	PART NO.	DESCRIPTION
1	532 19 39-43	Wheel, Steering
2	532 19 59-68	Axle Asm., Front
4	532 19 47-43	Spindle Asm., LH
5	532 19 47-44	Spindle Asm., RH
6	532 12 49-31	Bearing, Race Thrust Harden
7	532 12 17-48	Washer 25/32 x 1-5/8 x 16 Ga.
8	812 00 00-29	Ring, Klip #T5304-75
9	532 12 12-32	Cap, Spindle
13	532 12 17-49	Washer 25/32 x 1-1/4 x 16 Ga.
14	810 04 06-00	Washer, Lock Hvy Hlcl Spr 3/8
15	873 54 06-00	Nut, Crown Lock 3/8-24 unf
16	532 19 47-46	Shaft Steering
19	532 19 47-29	Plate Steering
21	532 18 67-37	Adapter, Wheel Steering
22	532 19 48-45	Bushing, Strg. Blk
26	532 19 36-52	Insert, Wheel Steering
28	817 00 06-12	Screw 3/8-16 x 3/4
35	532 19 47-32	Gear, Sector Plate
45	819 18 38-12	Washer 9/16 ID x 2-3/8 OD x 12 Ga.
50	873 90 06-00	Nut Lock 3/8-16 unc
51	873 94 08-00	Nut Hex Jam Toplock 1/2-20 unf

**KEY PART
NO. NO.**

KEY PART NO.	PART NO.	DESCRIPTION
53	532 18 89-67	Washer Hardened .793 x 1.637 x .060
54	874 76 06-36	Bolt Hex 3/8-16 unc x 2-1/4
55	532 19 76-36	Spacer Brace Axle
57	532 19 72-46	Bracket Upstop
58	532 19 47-47	Bolt Shoulder Sector Pivot CFM
59	532 19 47-48	Washer Thrust Sector Steering
60	873 97 10-00	Nut Flange Lock 5/8-11
61	532 19 47-40	Draglink LH
62	532 19 47-41	Draglink, RH
63	817 00 05-12	Screw 5/16-18 x 3/4
64	532 19 98-49	Retainer Clip Spring Steering
65	532 19 47-34	Brace Axle Front
66	871 02 07-48	Bolt Hex Fghd 7/16-14 x 3 Serr
67	532 19 47-37	Bushing PM Front Axle
68	873 90 07-00	Nut Lock Flange 7/16-14 Gr. 5
69	532 19 91-62	Washer 1.5 x .505 x .118
70	532 19 61-97	Bracket Deck Susp. Front

NOTE: All component dimensions given in U.S. inches 1 inch = 25.4 mm

TRACTOR -- MODEL NUMBER LOYTH20F42T (96045000200), PRODUCT NO. 960 45 00-02
GROUND DRIVE



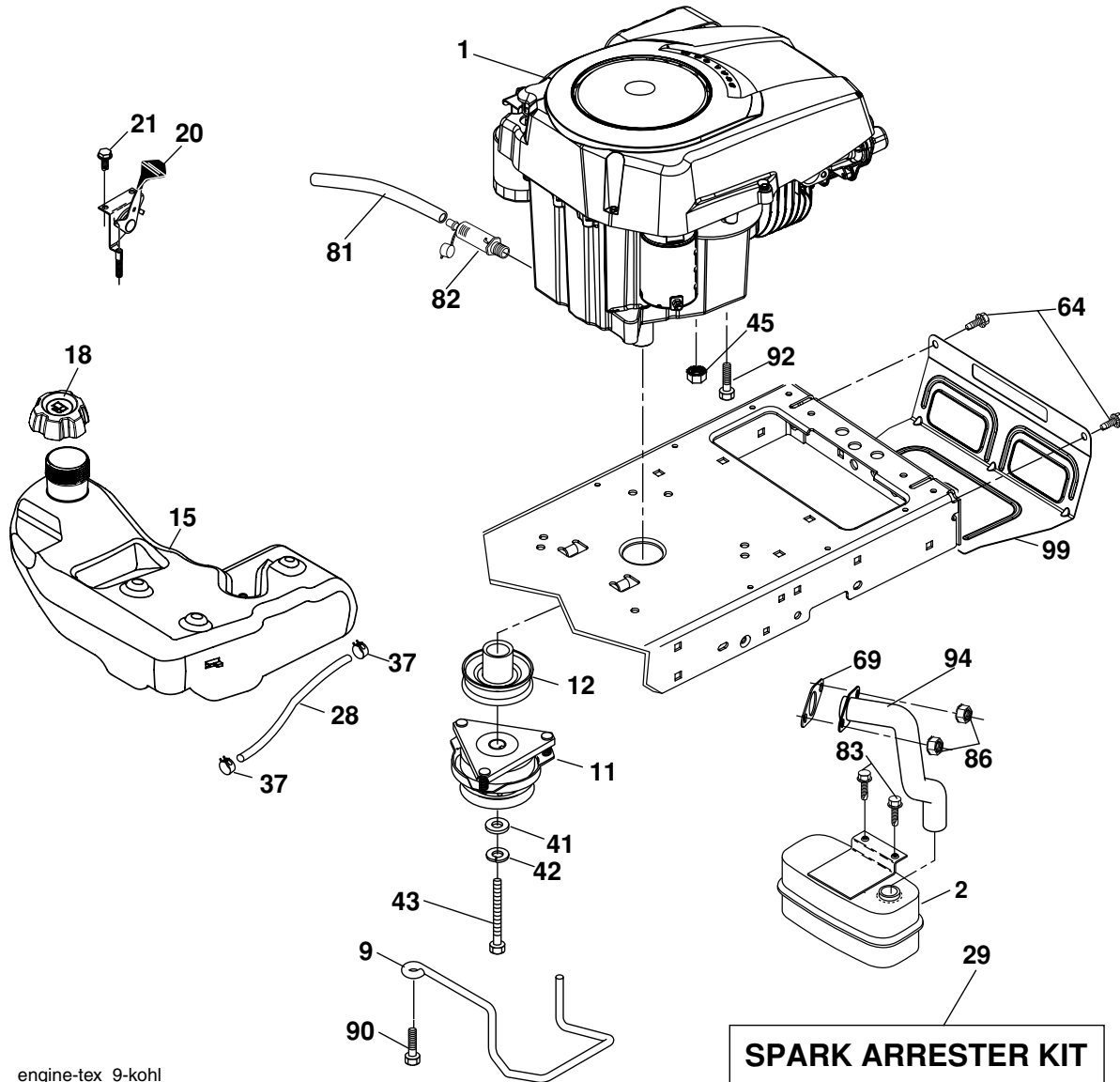
drive-tex_9-husq-hydro

**TRACTOR -- MODEL NUMBER LOYTH20F42T (96045000200), PRODUCT NO. 960 45 00-02
GROUND DRIVE**

KEY NO.	PART NO.	DESCRIPTION	KEY NO.	PART NO.	DESCRIPTION
1	-----	Transaxle, Hydro HG0510 (Order Parts from Transaxle Manufacturer)	166	532 19 72-90	Nut Push .625
2	532 12 35-83	Key	167	532 19 62-11	Latch Brake Parking
15	819 13 13-16	Washer 13/32 x 13/16 x 16 Ga.	169	874 49 05-60	Bolt Hex Flngd 5/16-18 x 3.75
17	532 19 72-96	Spring, Brake	170	532 19 43-22	Keeper Belt Centerspan
26	532 19 96-79	Spring Return Cruise	171	872 11 06-16	Bolt
29	532 19 94-67	Rod, Brake	183	532 13 70-57	Spacer Split
33	812 00 00-01	Ring E	184	532 40 31-18	Handle Parking Brake
35	532 19 95-91	Rod, Brake, Park	185	872 11 06-20	Bolt
37	532 12 17-49	Washer	186	532 19 43-21	Spacer Retainer
42	532 12 35-33	Cover, Foot Pedal	187	819 13 32-10	Washer
49	872 11 06-14	Bolt	188	532 19 43-23	Link Clutch Ground Drive
50	532 19 43-27	Pulley Idler Flat	189	532 19 43-17	Bellcrank Ground Drive
51	873 90 06-00	Lock Nut 3/8-16	190	532 19 43-18	Keeper Bellcrank Ground Drive
52	532 19 43-26	Idler V-Groove 910" Offset	196	817 00 06-16	Screw 3/8-16 x 1
56	532 14 02-18	V-Belt, Drive	197	532 19 58-04	Bracket Clutch Anti-Rotation
64	532 19 78-65	Shaft Asm. Pedal Brake Control	203	819 11 11-16	Washer 11/32 x 11/16 x 16 Ga.
70	532 40 05-30	Console Asm.	205	532 12 17-48	Washer
74	532 14 24-32	Screw Hex Washer Hi-Lo 1/4 x 1/2 unc	206	532 19 78-67	Bracket Mount Latch Cruise
80	532 40 05-07	Bracket Strap Torque	207	532 19 78-68	Latch Control Cruise
92	874 76 05-20	Bolt Fin Hex 5/16-18 unc x 1.25	208	532 19 78-69	Bolt Sector Control Cruise
116	873 90 05-00	Nut Lock Hex Flange 5/16-18	209	532 19 95-92	Rod Control Cruise
125	817 00 05-12	Screw 5/16-18 x 3/4	210	532 19 78-60	Rocker Asm. Pdeal Control
148	817 00 06-12	Screw 3/8-16 x 3/4	211	532 12 01-83	Bearing Nylon
153	532 12 47-88	Retainer Spring	213	532 40 31-19	Knob Control Cruise
159	876 02 04-12	Pin Cotter 1/8 x 3/4	214	532 40 17-22	Pad Pedal Forward
160	532 16 94-84	Retainer Clip	215	532 40 17-23	Pad Pedal Reverse
161	532 19 54-03	Spring, Return, Clutch	220	532 19 89-08	Reflector RH
162	532 19 57-85	Spacer Transaxle	221	532 40 31-87	Retainer Spring Clip Handle
163	532 19 90-00	Rod Pedal Control	222	819 21 20-12	Washer Flat

NOTE: All component dimensions given in U.S.
inches 1 inch = 25.4 mm

**TRACTOR -- MODEL NUMBER LOYTH20F42T (96045000200), PRODUCT NO. 960 45 00-02
ENGINE**



engine-tex_9-kohl

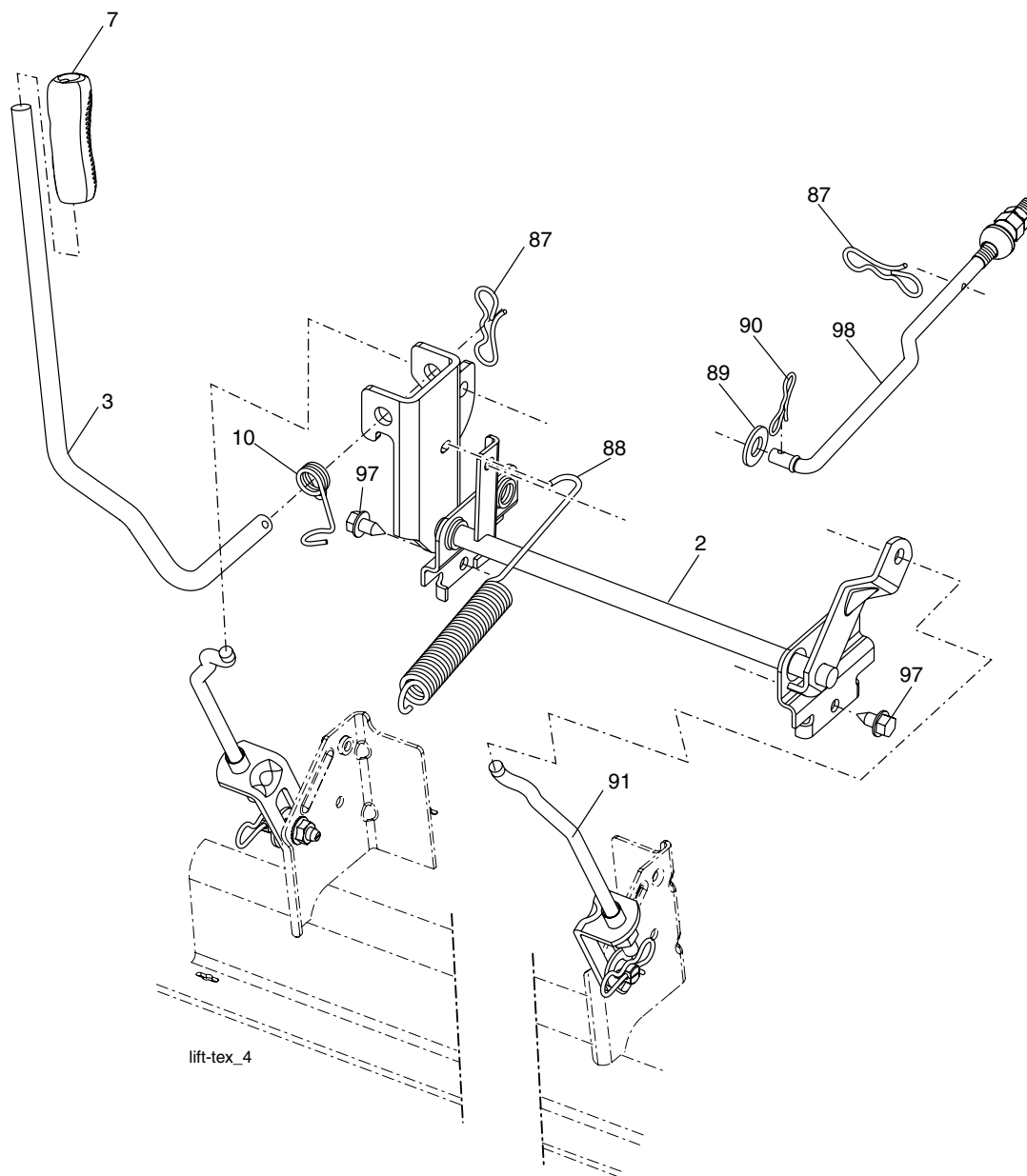
KEY PART NO.	NO.	DESCRIPTION
1	-----	Engine Kohler Model No. SV600
2	532 18 86-55	Muffler
9	532 19 43-19	Keeper Belt Engine
11	532 18 05-05	Clutch Ogura
12	532 19 43-38	Pulley Engine
15	532 19 34-99	Tank Fuel 4.0
18	532 19 42-67	Cap Asm
20	532 40 15-08	Control Throttle
21	817 72 04-08	Screw Thd Cut 1/4-20 x 1/2
28	532 40 11-35	Fuel Line
29	532 13 71-80	Spark Arrester Kit
37	532 12 34-87	Clamp Hose
41	532 12 61-97	Washer 1-1/2 OD x 15/32 ID x .250
42	810 04 07-00	Washer Lock 7/16
43	532 17 39-37	Bolt Hex 7/16-20 x 4 Gr. 5
45	873 51 04-00	Nut Keps Hex 1/4-20 unc
64	817 00 06-12	Screw Hexwsh Thdrol 3/8-16 x 3/4
69	532 18 59-09	Gasket

KEY PART NO.	NO.	DESCRIPTION
81	532 14 84-56	Tube Drain Oil Easy
82	532 18 16-54	Plug Drain Oil
83	532 17 18-77	Bolt 5/16-18 unc x 3/4 w/Sems
86	532 18 43-62	Nut Hex Flange Toplock M8-1.25
90	817 00 06-16	Screw 3/8-16 x 1
92	817 12 06-16	Screw 3/8-16 x 1
94	532 18 86-54	Tube Exhaust
99	532 19 43-29	Shield Browning/Debris

NOTE: All component dimensions given in U.S. inches 1 inch = 25.4 mm
For engine service and replacement parts, call the toll free number for your engine manufacturer listed below:

Briggs & Stratton 1-800-233-3723
Kohler Co. 1-800-544-2444
Tecumseh Products 1-800-558-5402
Honda Engines 1-800-426-7701
Kawasaki 1-949-460-5688

**TRACTOR -- MODEL NUMBER LOYTH20F42T (96045000200), PRODUCT NO. 960 45 00-02
LIFT ASSEMBLY**



**KEY PART
NO. NO.**

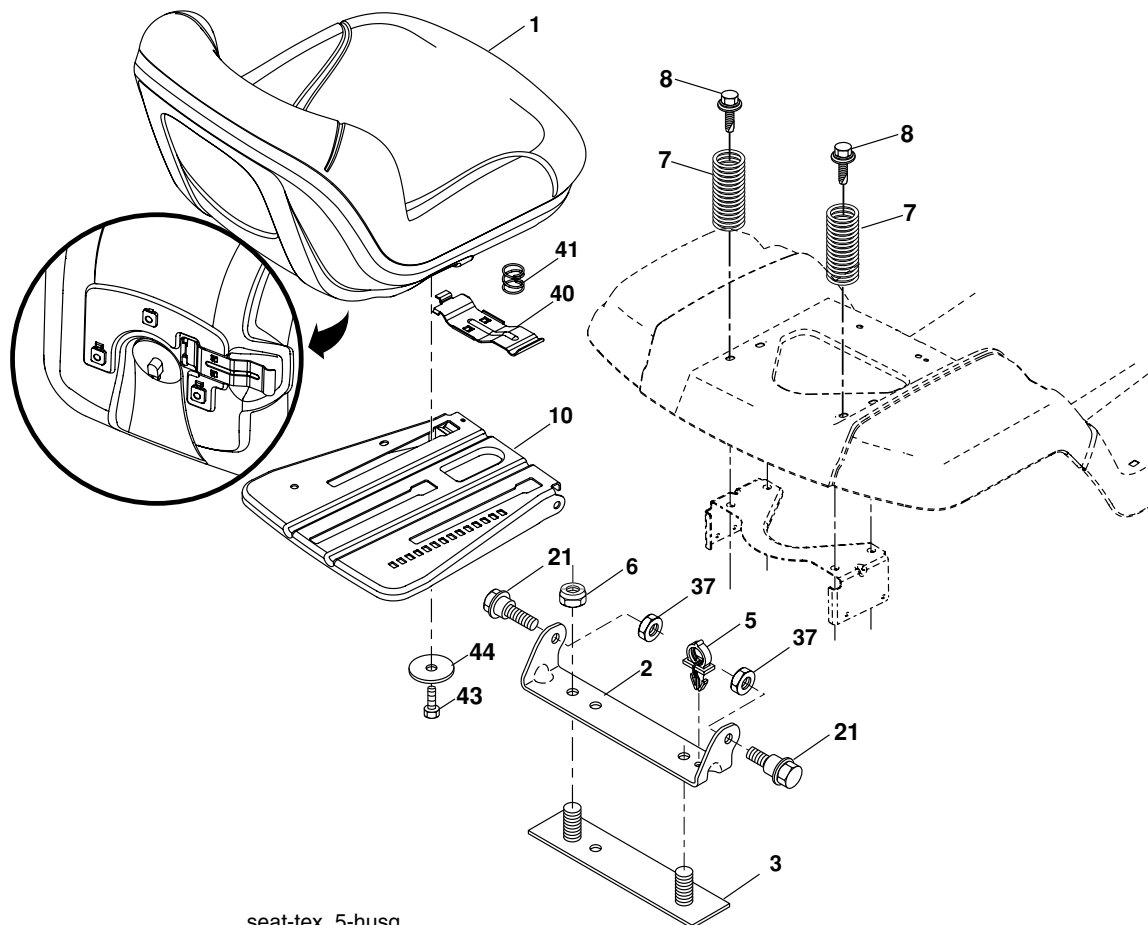
KEY PART NO.	NO.	DESCRIPTION
2	532 19 52-23	Shaft Asm., Lift
3	532 19 52-30	Lever Asm., Lift Rh
7	532 19 64-92	Grip, Lever
10	532 19 63-14	Spring Torsion
87	532 19 42-09	Pin Cotter 7/16 Bow Tie Lock
88	532 19 53-04	Spring Lift Assist
89	532 19 19-12	Washer Clear Zinc
90	532 19 42-08	Pin Cotter 5/16 Bow Tie Lock

**KEY PART
NO. NO.**

KEY PART NO.	NO.	DESCRIPTION
91	532 19 51-81	Link Lift Susp Mower Rear
97	817 06 06-12	Screw 3/8-16 x .75 Smgml Tap/R.Z
98	532 19 52-70	Link Lift Susp. Front Mower

NOTE: All component dimensions given in U.S. inches 1 inch = 25.4 mm

**TRACTOR -- MODEL NUMBER LOYTH20F42T (96045000200), PRODUCT NO. 960 45 00-02
SEAT ASSEMBLY**



seat-tex_5-husq

KEY PART

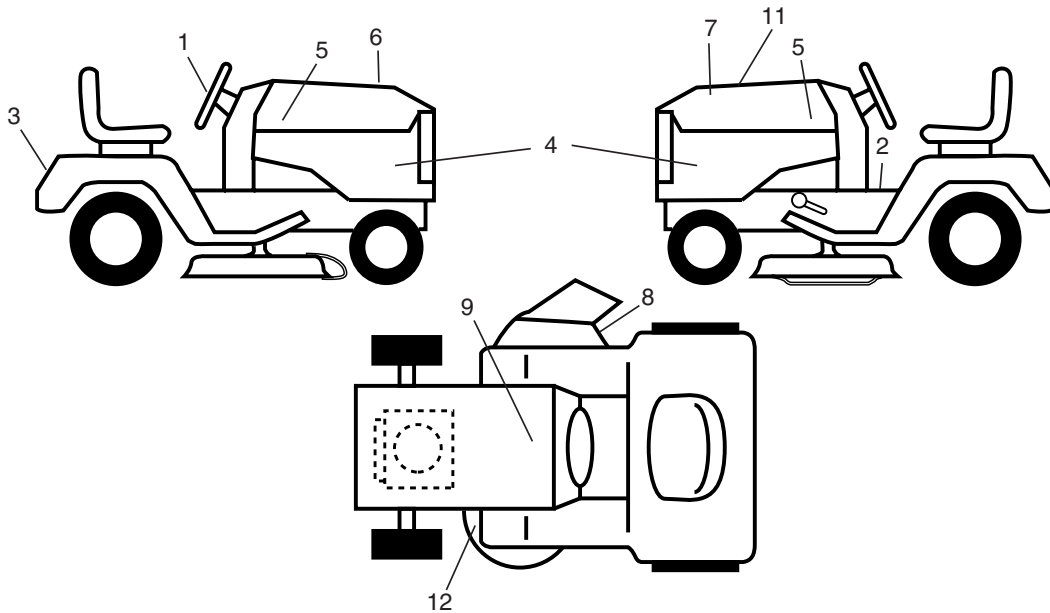
NO.	NO.	DESCRIPTION
1	532 19 75-26	Seat
2	532 18 01-66	Bracket Pivot Fender
3	532 14 06-75	Strap, Asm Fender
5	532 14 50-06	Clip, Push In, Hinged
6	873 80 06-00	Nut, Lock W/Ins. 3/8-16 unc
7	532 12 41-81	Spring, Seat Cprsn
8	532 17 18-77	Bolt 5/16-18 uncx 3/4 w/Sems
10	532 19 69-77	Pan, Seat

KEY PART

NO.	NO.	DESCRIPTION
21	532 17 18-52	Bolt, Shoulder 5/16-18
37	873 80 05-00	Nut, Lock 5/16-18 unc
40	532 19 76-61	Handle Slide Seat
41	532 19 82-00	Spring Latch Seat
43	874760612	Bolt Fin Hex 3/8-16 unc x 3/4
44	819133812	Washer 13/32 x 2-3/8 x 12 Ga.

NOTE: All component dimensions given in U.S. inches
1 inch = 25.4 mm

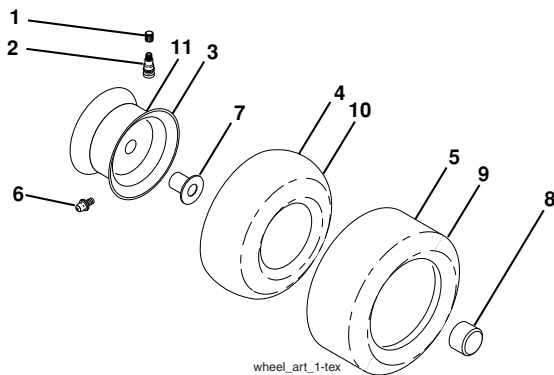
**TRACTOR -- MODEL NUMBER LOYTH20F42T (96045000200), PRODUCT NO. 960 45 00-02
DECALS**



KEY PART NO.	PART NO.	DESCRIPTION
1	532 18 89-25	Decal, Steering
2	532 40 26-51	Decal, Oper/Warn
3	532 19 15-54	Decal, Fender
4	532 40 25-92	Decal, Side Panel
5	532 40 28-32	Decal, Hood Logo
6	532 40 21-28	Decal, Hood Top Insert
7	532 18 09-41	Decal, Hood Cust. Resp.
8	532 17 91-28	Decal, "B"

KEY PART NO.	PART NO.	DESCRIPTION
9	532 14 50-05	Decal, Battery Dnge/Poi
11	532 40 25-23	Decal, RPL Koh 20 HP
12	532 16 03-96	Decal, Mower V-Belt Schematic
--	532 16 69-60	Decal, Bypass
--	532 40 17-71	Pad, Footrest, LH
--	532 40 17-70	Pad, Footrest, RH
--	532 40 18-56	Manual, Operator's
--	532 40 35-94	Manual, Repair Parts

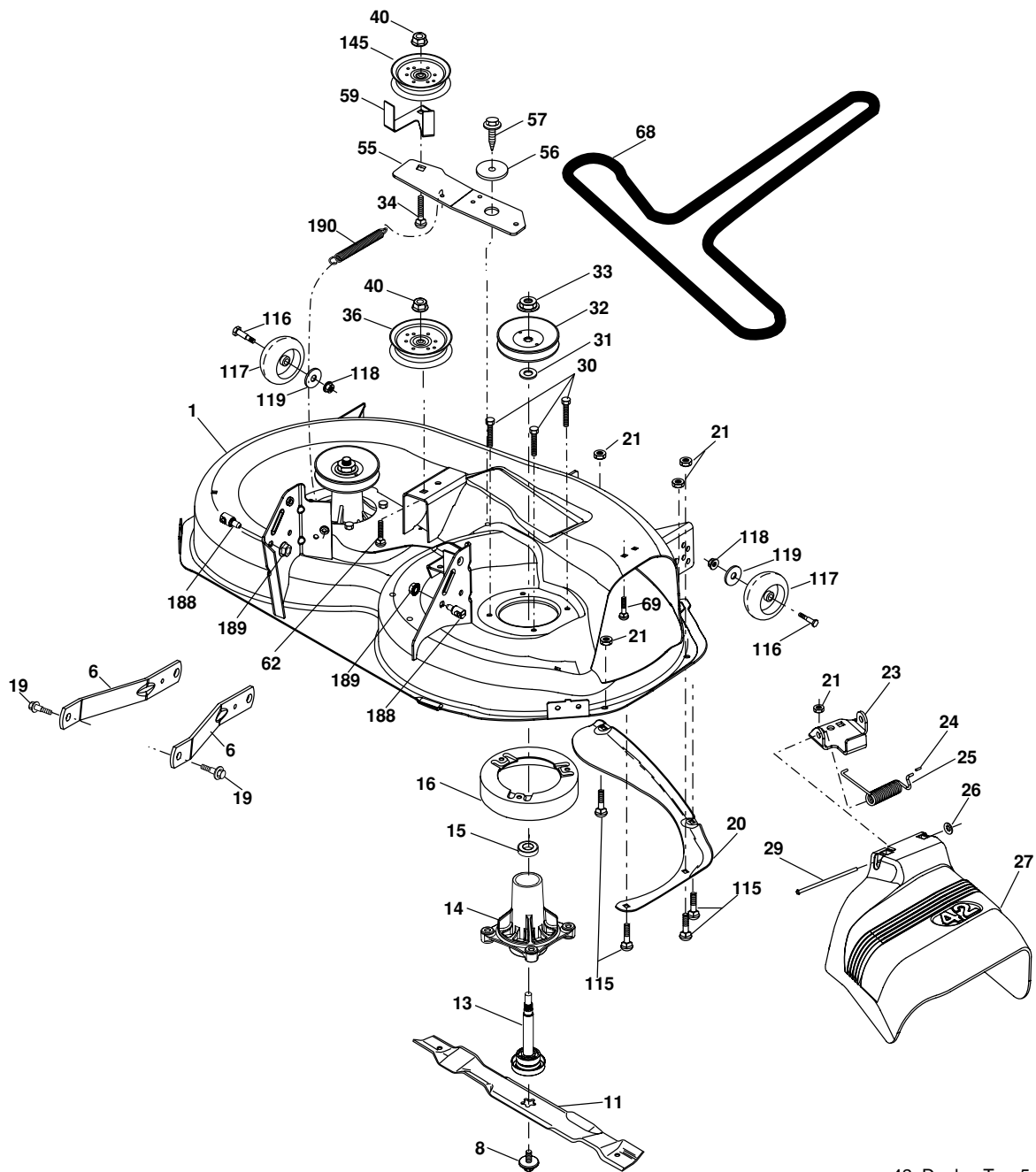
WHEELS & TIRES



KEY PART NO.	PART NO.	DESCRIPTION
1	532 05 91-92	Cap Valve Tire
2	532 06 51-39	Stem Valve
3	532 10 62-22	Rim Asm 6" front Service
4	532 05 99-04	Tube Front (Service Item Only)
5	532 13 83-36	Tire F T 15 x 6 0 - 6 Service
6	532 12 49-57	Fitting Grease (Front Wheel Only)
7	532 12 49-59	Bearing Flange (Front Wheel Only)
8	532 17 50-39	Cap Axle Blk 1 50 x 1 00
9	532 13 84-68	Tire R T 18 x 9.5-8 Service
10	532 12 49-26	Tube Rear (Service Item Only)
11	532 13 83-37	Rim Asm 8" rear Service
--	532 14 43-34	Sealant, Tire (10 oz. Tube)

NOTE: All component dimensions given in U.S. inches 1 inch = 25.4 mm

TRACTOR -- MODEL NUMBER LOYTH20F42T (96045000200), PRODUCT NO. 960 45 00-02
MOWER DECK



42_D_elec-TeX_5

**TRACTOR -- MODEL NUMBER LOYTH20F42T (96045000200), PRODUCT NO. 960 45 00-02
MOWER DECK**

KEY PART			KEY PART		
NO.	NO.	DESCRIPTION	NO.	NO.	DESCRIPTION
1	532 40 29-99	Mower Housing	36	532 19 61-06	Pulley, Idler, Flat
6	532 19 51-86	Arm Suspension	40	873 90 06-00	Nut, Lock Flg. 3/8-16 unc
8	532 19 30-03	Bolt/Washer asm 7/16-20 unf	55	532 19 72-49	Arm, Idler
11	532 13 89-71	Blade, 42" Hi-Lift (For bagging or discharge)	56	532 19 90-92	Spacer, Retainer
--	532 13 41-49	Blade, 42" Mulching Std (For mulching mowers only)	57	817 00 06-16	Screw 3/8-16 x 1
--	532 13 97-75	Blade, 42" Mulching Premium (For better wear when mulching)	59	532 17 34-42	Guard, Tuv Idler
13	532 19 28-72	Shaft Assembly, Mandrel	62	872 11 06-16	Bolt Rd Hd Sq Nk 3/8-16 unc x 2
14	532 18 72-81	Housing, Mandrel	68	532 14 49-59	V-Belt
15	532 11 04-85	Bearing, Ball, Mandrel	69	872 14 05-05	Bolt
16	532 17 44-93	Stripper, Mower Deck	115	872 11 05-05	Bolt Carr. 5/16-18 x 5/8
19	532 19 65-39	Bolt, Shoulder	116	532 18 42-19	Bolt, Shoulder
20	532 15 97-70	Baffle, Vortex	117	532 17 48-73	Wheel, Gauge
21	873 68 05-00	Nut, Crownlock 5/16-18 unc	118	873 93 06-00	Nut, Crownlock 3/8-1
23	532 19 25-57	Bracket, Deflector	119	819 12 14-14	Washer 13/32 x 7/8 x 14 Ga.
24	532 10 53-04	Cap, Sleeve	145	532 17 79-68	Pulley Idler
25	532 19 70-26	Spring, Torsion, Deflector	188	532 19 51-61	Stud Fastener
26	532 11 04-52	Nut, Push	189	873 90 05-00	Nut Lock Hex Flange
27	532 40 30-04	Shield, Deflector	190	532 19 72-51	Spring Mower Drive Electric
29	532 13 14-91	Rod, Hinge	--	532 19 28-70	Mandrel Assembly (Includes housing, shaft and shaft hardware only-pulley not included)
30	532 17 39-84	Screw Thdrol Rolling Wsh Hd	--	532 40 12-24	Replacement Mower, Complete
31	532 18 76-90	Washer, Spacer			
32	532 17 34-36	Pulley, Mandrel			
33	532 40 02-34	Nut, Toplock, Flanged			
34	872 11 06-12	Bolt Carr Sh. 3/8-16 x 1-1/2 Gr. 5			

NOTE: All component dimensions given in U.S. inches 1 inch = 25.4 mm

WARRANTY

SECTION 1: LIMITED WARRANTY

Husqvarna Forest & Garden Company ("Husqvarna") warrants Husqvarna product to the original purchaser to be free from defects in material and workmanship from the date of purchase for the "Warranty Period" of the product as set forth below:

2 YEAR NON-COMMERCIAL WARRANTY: Automatic Mower, Riding lawn mowers, yard and garden tractors, walk behind mowers, tillers, chain saws, trimmers, brushcutters, clearing saws, snow blowers, handheld blowers, backpack blowers, hedge trimmers, electrical products and power-assist collection systems for noncommercial, nonprofessional, noninstitutional or nonincome producing use, except as herein stated.

Emission control system components necessary to comply with CARB-TIER-II and EPA regulations.

Husqvarna Safety Apparel carries a 90-day warranty from the date of the customer's original purchase for defects in material and workmanship. Normal wear, tear or abuse is not covered under warranty. Product must be returned to Charlotte with a warranty claim form. All care and maintenance instructions must be followed as stated by the manufacturer on the care label. The fit of the protective apparel/boot is not covered under warranty.

SECTION 2: HUSQVARNA'S OBLIGATIONS UNDER THE WARRANTY

Husqvarna will repair or replace defective components without charge for parts or labor if a component fails because of a defect in material or workmanship during the warranty period.

SECTION 3: ITEMS NOT COVERED BY THIS WARRANTY

The following items are not covered by this warranty:

- (1) Normal customer maintenance items which become worn through normal regular use, including, but not limited to, belts, blades, blade adapters, bulbs, filters, guide bars, lubricants, rewind springs, saw chain, spark plugs, starter ropes and tines;
- (2) Natural discoloration of material due to ultraviolet light;
- (3) Lawn and garden attachments are covered by a third party which gives a warranty, all claims for warranty should be sent to the manufacturer; and
- (4) Emission Control System components necessary to which are manufactured by third party engine manufacturer.

SECTION 4: EXCEPTIONS AND LIMITATIONS

This warranty shall be inapplicable to defects resulting from the following:

- (1) Accident, abuse, misuse, negligence and neglect, including stale fuel, dirt, abrasives, moisture, rust, corrosion, or any adverse reaction due to incorrect storage or use habits;
- (2) Failure to operate or maintain the unit in accordance with the Owner's/Operator's manual or instruction sheet furnished by Husqvarna;
- (3) Alterations or modifications that change the intended use of the product or affects the product's performance, operation, safety, or durability, or causes the product to fail to comply with any applicable laws; or:
- (4) Additional damage to parts or components due to continued use occurring after any of the above.

REPAIR OR REPLACEMENT AS PROVIDED UNDER THIS WARRANTY IS THE EXCLUSIVE REMEDY OF THE PURCHASER. HUSQVARNA SHALL NOT BE LIABLE FOR ANY INCIDENTAL OR CONSEQUENTIAL DAMAGES FOR BREACH OF ANY EXPRESS OR IMPLIED WARRANTY ON THESE PRODUCTS EXCEPT TO THE EXTENT PROHIBITED BY APPLICABLE LAW. ANY IMPLIED WARRANTY OF MERCHANTABILITY OR FITNESS FOR A PARTICULAR PURPOSE ON THESE PRODUCTS IS LIMITED IN DURATION TO THE WARRANTY PERIOD AS DEFINED IN THE LIMITED WARRANTY STATEMENT. HUSQVARNA RESERVES THE RIGHT TO CHANGE OR IMPROVE THE DESIGN OF THE PRODUCT WITHOUT NOTICE, AND DOES NOT ASSUME OBLIGATION TO UPDATE PREVIOUSLY MANUFACTURED PRODUCTS.

Some states do not allow the exclusion of incidental or consequential damages, or limitations on how long an implied warranty lasts, so the above limitations or exclusions may not apply to you. This warranty gives you specific legal rights, and you may also have other rights which vary from state to state.

SECTION 5: CUSTOMER RESPONSIBILITIES

The product must exhibit reasonable care, maintenance, operation, storage and general upkeep as written in the maintenance section of the Owner's/Operator's manual. Should an operational problem or failure occur, the product should not be used, but delivered as is to an authorized Husqvarna dealer for evaluation. Proof of purchase, as explained in section 6, rests solely with the customer.

SECTION 6: PROCEDURE TO OBTAIN WARRANTY CONSIDERATION

It is the Owner's and Dealer's responsibility to make certain that the Warranty Registration Card is properly filled out and mailed to Husqvarna Forest & Garden Company. This card should be mailed within ten (10) days from the date of purchase in order to confirm the warranty and to facilitate post-sale service.

Proof of purchase must be presented to the authorized Husqvarna dealer in order to obtain warranty service. This proof must include date purchased, model number, serial number, and complete name and address of the selling dealer.

To obtain the benefit of this warranty, the product believed to be defective must be delivered to an authorized Husqvarna dealer in a timely manner, no later than thirty (30) days from date of the operational problem or failure. The product must be delivered at the owner's expense. Pick-up and delivery charges are not covered by this warranty. An authorized Husqvarna dealer can be normally located through the "Yellow Pages" of the local telephone directory or by calling 1-800-HUSKY62 for a dealer in your area.

HUSQVARNA
7349 Statesville Road
Charlotte, NC 28269
531 83 81-23 2002