

## Parts Manual

**Model:**  
**968999239**  
**SG13A / CE**

©2005 Husqvarna.  
All Rights Reserved.  
Printed Beatrice, Nebraska

---

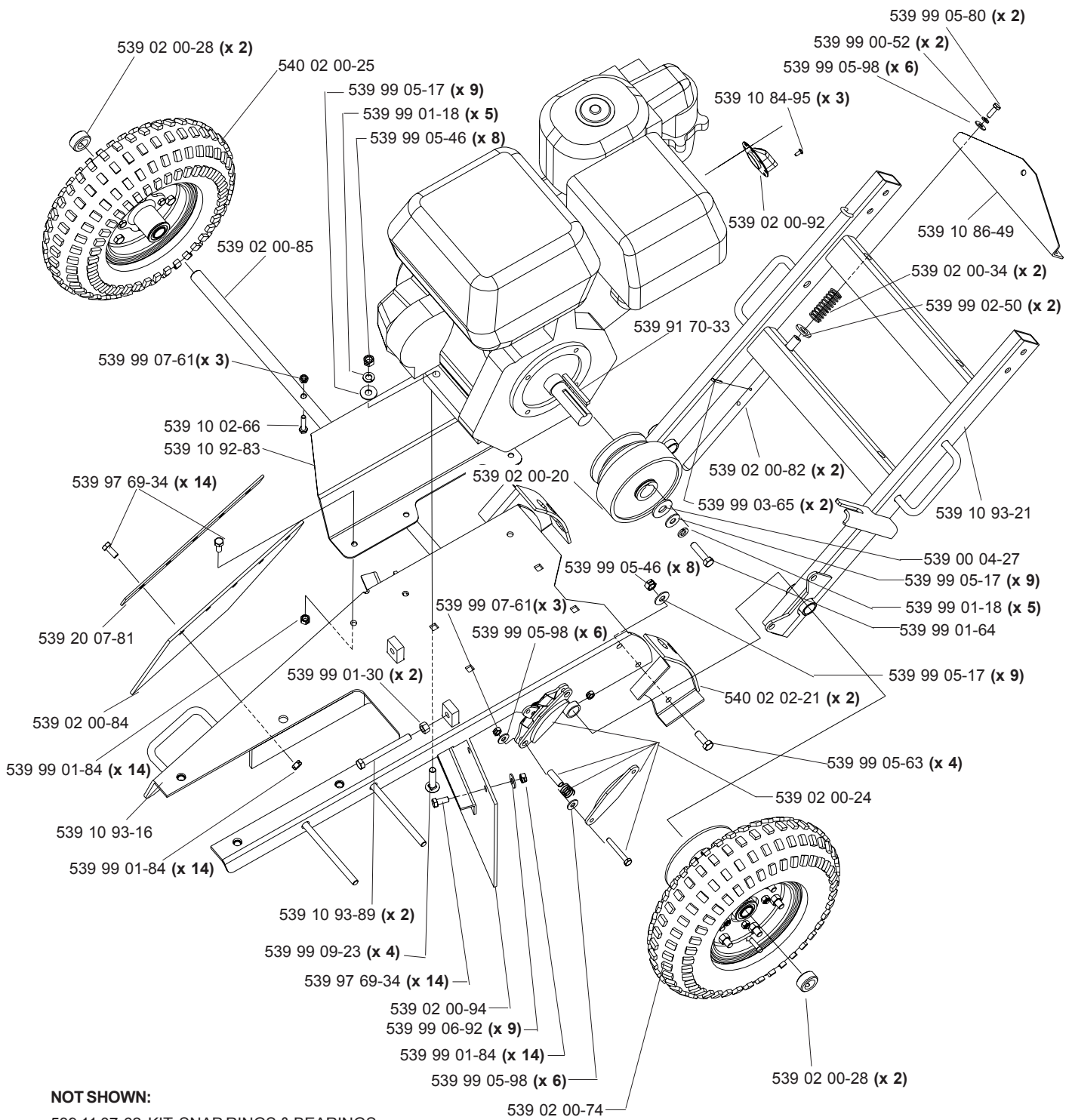
# TABLE OF CONTENTS

---

## Stump Grinder SG13A

Deck Assembly .....	4
Upper Handle Bar .....	5
Belt Cover .....	6
Shroud & Blade Assembly .....	7
Decals .....	8
Wiring Diagram & Wire Harness .....	9
Parts Descriptions .....	10-12

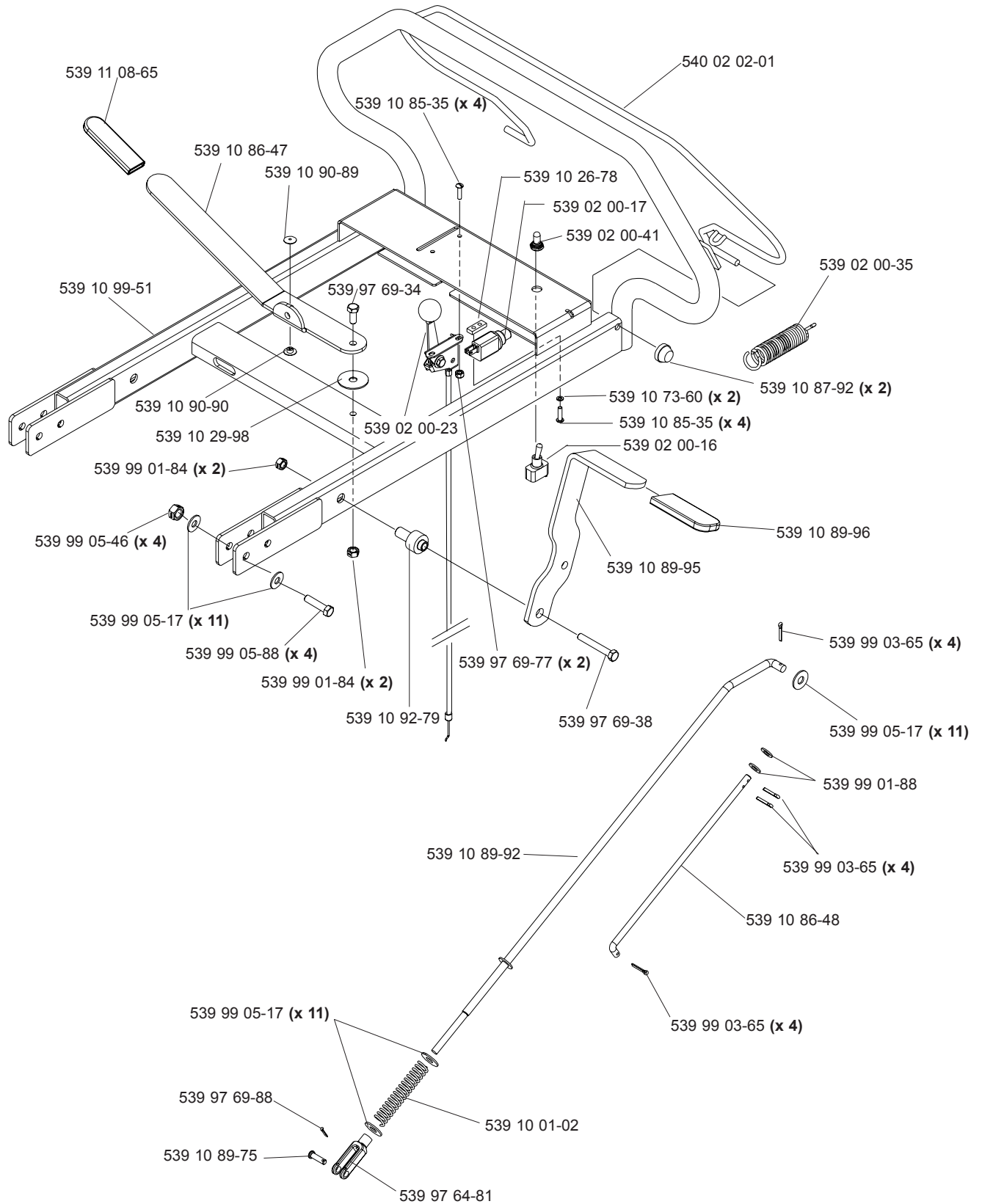
# DECK ASSEMBLY



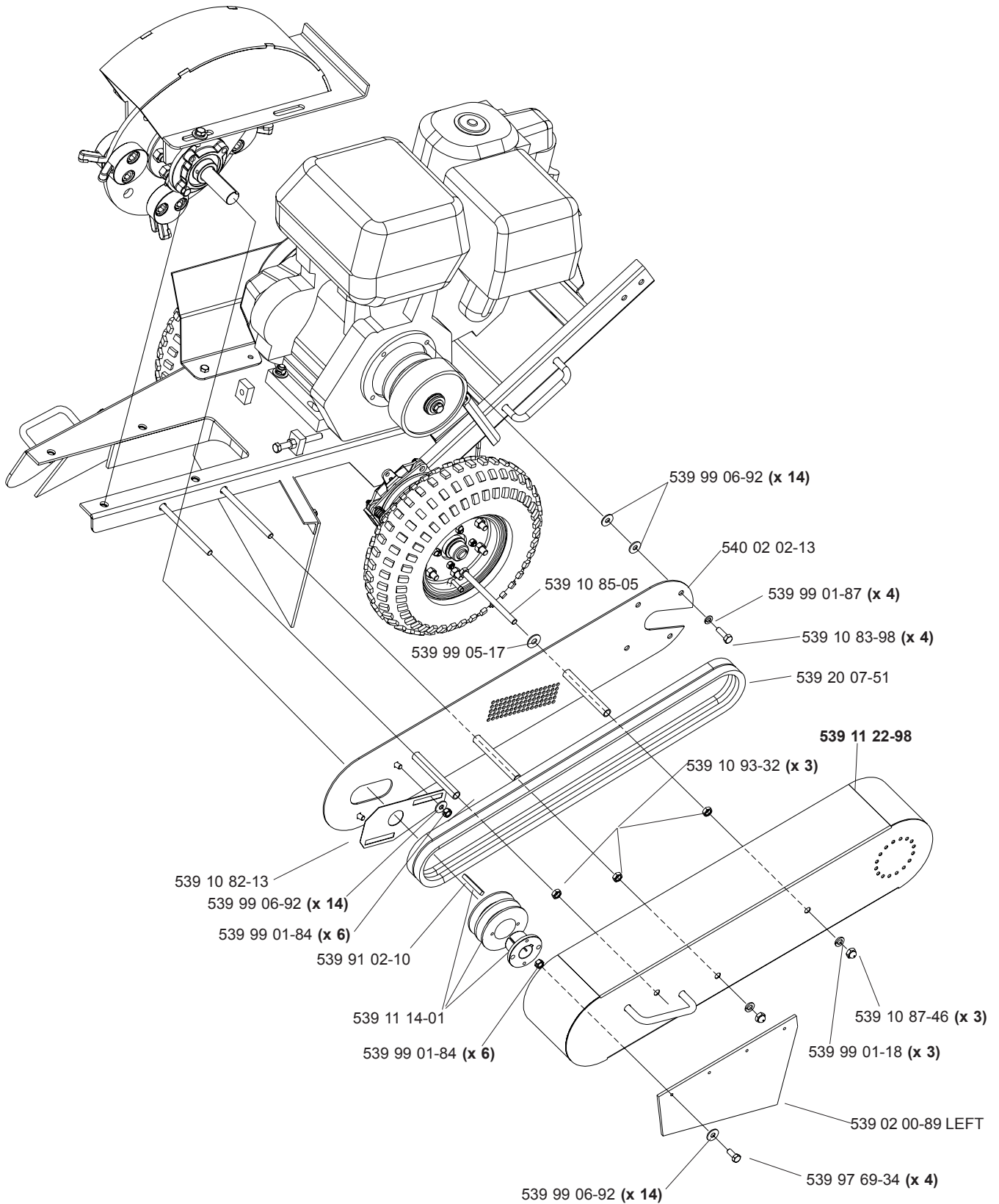
**NOT SHOWN:**

- 539 11 07-62 KIT, SNAP RINGS & BEARINGS
- 539 11 07-63 KIT, CLUTCH SHOES & SPRINGS

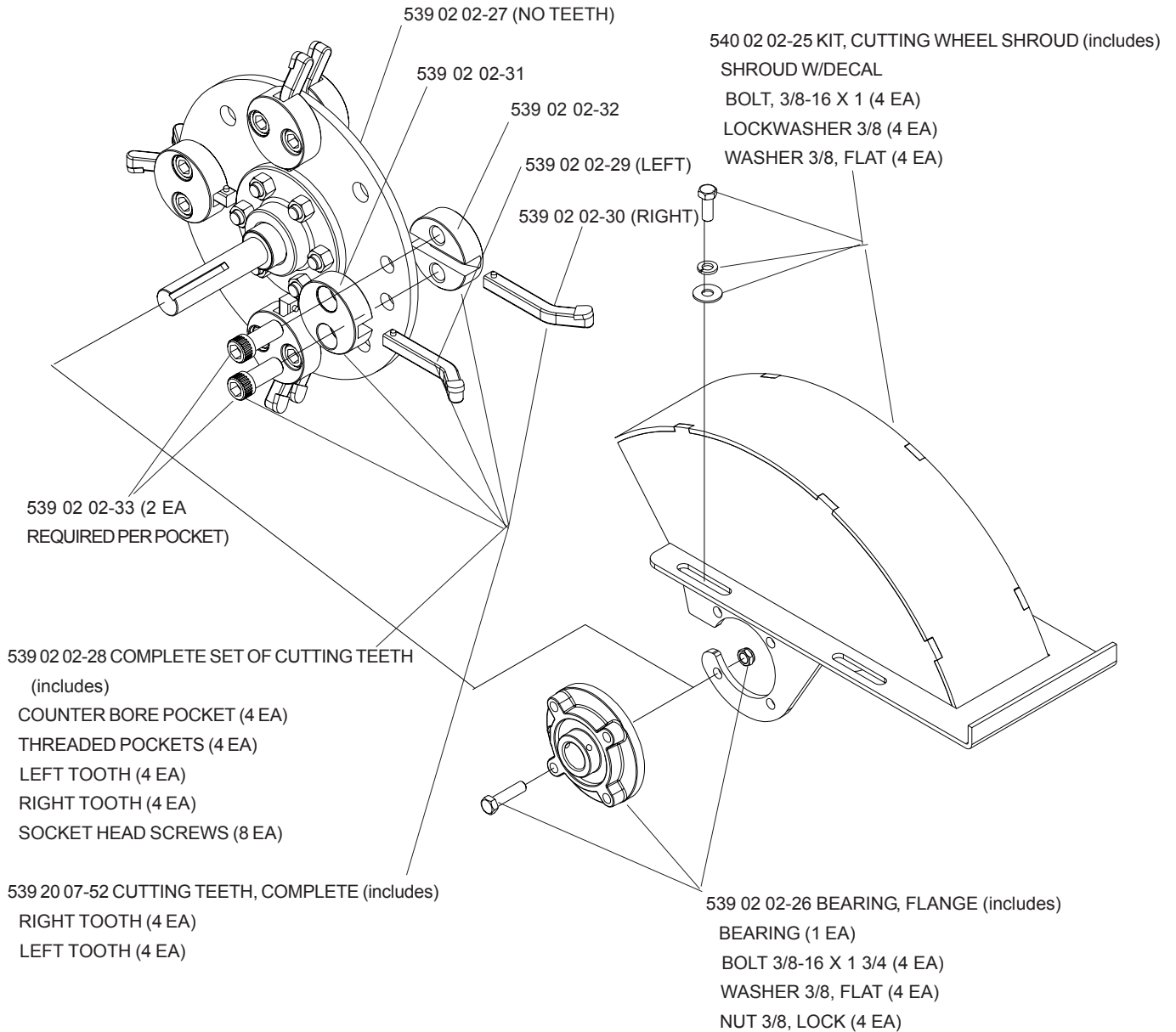
# UPPER HANDLE BAR



# BELT COVER



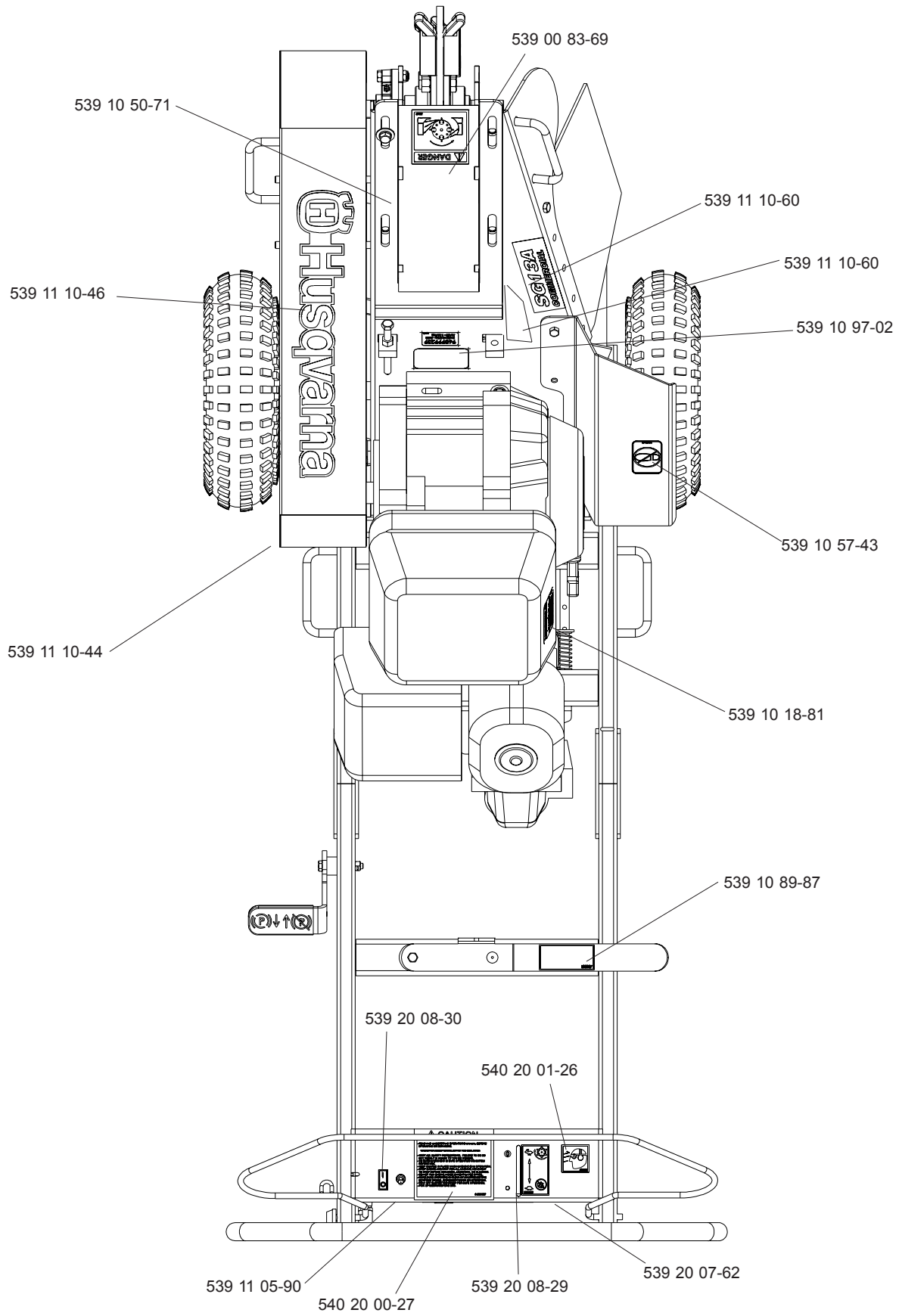
# SHROUD AND BLADE ASSEMBLY



**NOT SHOWN:**

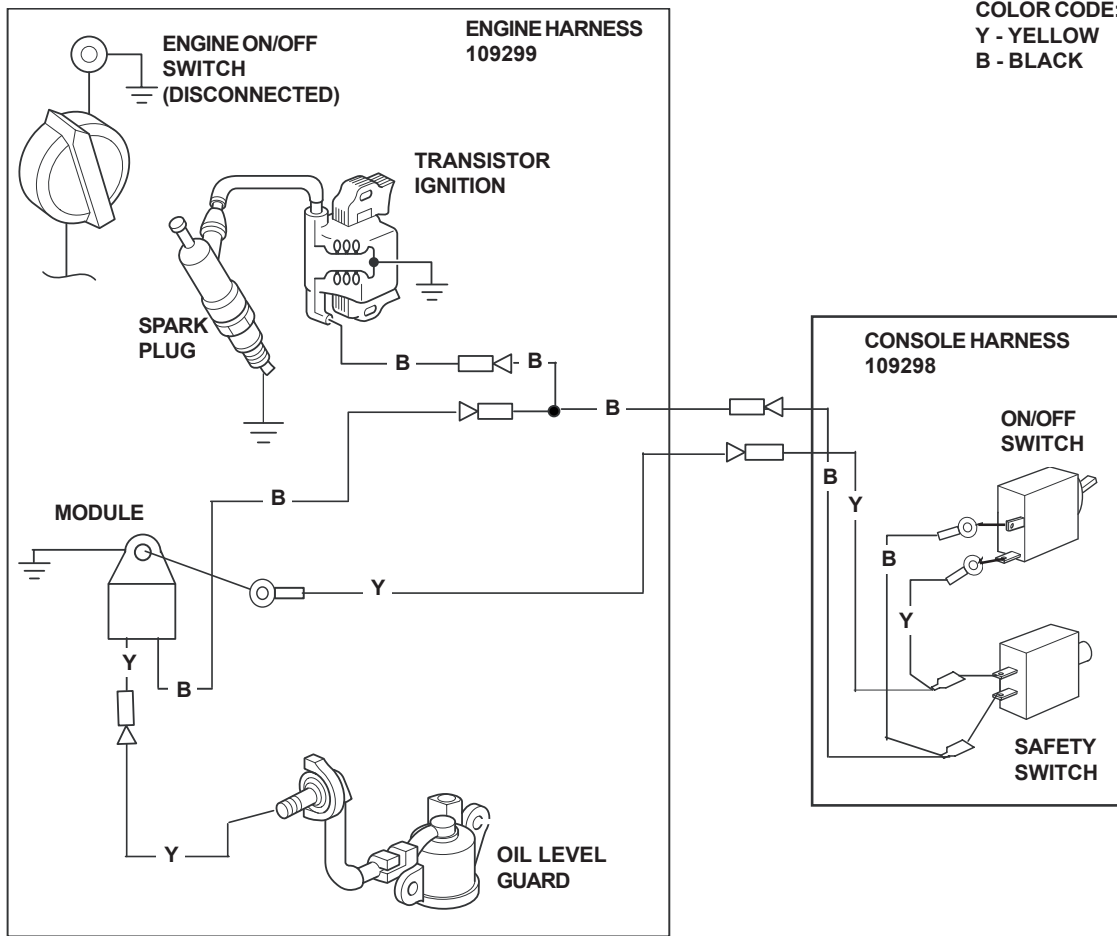
539 11 01-44 ALLEN WRENCH

# DECALS





# WIRING DIAGRAM



---

## PARTS DESCRIPTION

---

539 00 04-27	WASHER 1/2, FLAT
539 00 83-69	DECAL, DANGER FOOT
539 02 00-16	SWITCH, TOGGLE
539 02 00-17	SWITCH, NC PLUNGER TYPE
539 02 00-20	CLUTCH, CENTRIFUGAL, 2-GROOVE
539 02 00-23	THROTTLE CONTROL W/KNOB
539 02 00-24	BRAKE, CALIPER
539 02 00-28	SET COLLAR, 3/4" BORE
539 02 00-34	SPRING, COMPRESSION
539 02 00-35	SPRING
539 02 00-41	BOOT, TOGGLE SWITCH
539 02 00-74	WHEEL W/DISC, 12" SNOW HOG
539 02 00-82	PIN, HANDLE ADJUSTMENT
539 02 00-84	DEFLECTOR, SIDE, NEOPRENE
539 02 00-85	AXLE
539 02 00-89	DEFLECTOR, NEOPRENE, LEFT SIDE
539 02 00-92	DEFLECTOR, EXHAUST
539 02 00-94	DEFLECTOR, NEOPRENE, REAR
539 02 02-26	BEARING, FLANGE (includes) BEARING (1 EA) BOLT 3/8-16 X 1 3/4 (4 EA) NUT 3/8, LOCK (4 EA)
539 02 02-27	CUTTING WHEEL ASSEMBLY (NO TEETH)
539 02 02-28	COMPLET SET OF CUTTING TEETH (includes) COUNTER BORE POCKET (4 EA) THREADED POCKETS (4 EA) LEFT TOOTH (4 EA) RIGHT TOOTH (4 EA) SOCKET HEAD SCREWS (8 EA)
539 02 02-29	LEFT TOOTH
539 02 02-30	RIGHT TOOTH
539 02 02-31	COUNTER BORE POCKET
539 02 02-32	THREADED POCKET
539 02 02-33	SOCKET HEAD SCREW (2 EA) TWO SCREWS ARE REQUIRED PER POCKET
539 10 01-02	SPRING, COMPRESSION
539 10 02-66	HCS 1/4-20 X 1 1/4, GR5
539 10 18-81	DECAL, PROP 65
539 10 26-78	PLATE, TAPPED
539 10 29-98	WASHER, FRICTION
539 10 50-71	DECAL, NASCAR
539 10 57-43	DECAL, NO STEP
539 10 73-60	LOCKWASHER 5/16
539 10 82-13	PLATE, COVER
539 10 83-98	HCS 5/16-24 X 1, GR5
539 10 84-95	SCREW #8-32 X 3/8, SELF TAP, PHIL
539 10 85-05	HCS 3/8-16 X 5 1/2, GR5
539 10 85-35	SCREW #10-24 X 3/4, SLTD RD
539 10 86-47	HANDLE, POSITION ADJ.
539 10 86-48	ROD, POSITION ADJUSTMENT
539 10 86-49	BRACKET, HANDLE POSTIONING
539 10 87-46	NUT 3/8-16, ACORN
539 10 87-92	NUT 5/16, PUSH CAP
539 10 89-75	PIN, CLEVIS 1/4 X 7/8

---

## PARTS DESCRIPTION

---

539 10 89-87	DECAL, HANDLE ADJUSTMENT
539 10 89-92	ROD, PARK BRAKE
539 10 89-95	HANDLE, WHEEL BRAKE
539 10 89-96	GRIP, PARK BRAKE
539 10 90-89	RIVET, SNAP-MALE HALF
539 10 90-90	RIVET, SNAP-FEMALE HALF
539 10 92-79	BUSHING
539 10 92-83	FENDER
539 10 93-16	DECK
539 10 93-21	HANDLE, LOWER
539 10 93-32	NUT 3/8-16, JAM
539 10 93-89	HCS 3/8-16 X 3 1/2, GR5
539 10 97-02	DECAL, CE968999239
539 10 99-51	HANDLE W/DECAL, UPPER
539 11 01-44	ALLEN WRENCH, 1/2" X 8"
539 11 05-90	DECAL, OPN STUMP GRINDER
539 11 07-62	KIT, SNAP RINGS & BEARINGS
539 11 07-63	KIT, CLUTCH SHOES & SPRINGS
539 11 08-65	GRIP, BLACK VINYL
539 11 10-44	DECAL, CROWN
539 11 10-46	DECAL, LOGO HUSQVARNA
539 11 10-60	DECAL, SG13A STUMP GRINDER
539 11 14-01	PULLEY, TAPERLOCK, 2V
<b>539 11 22-98</b>	<b>COVER, BELT GUARD</b>
539 20 07-51	V-BELT, "B" SECT. SET OF 2
539 20 07-52	CUTTING TEETH, COMPLETE (includes) RIGHT TOOTH (4 EA) LEFT TOOTH (4 EA)
539 20 07-62	DECAL, 107DBA SOUND POWER
539 20 07-81	STRAP, DEFLECTOR
539 20 08-29	DECAL, THROTTLE
539 20 08-30	DECAL, ON/OFF
539 91 02-10	KEY 1/4 SQ X 2
539 91 70-33	KEY, 1/4 SQ X 2 1/2"
539 97 64-81	YOKE, 3/8F
539 97 69-34	HCS 5/16-18 X 3/4, GR5
539 97 69-38	HCS 5/16-18 X 2 1/4, GR5
539 97 69-77	NUT #10-24, NYLOC
539 97 69-88	PIN, HAIR, 5/64 X 1 7/16
539 99 00-52	LOCKWASHER, 1/4
539 99 01-18	LOCK WASHER, 3/8
539 99 01-30	NUT 3/8-16
539 99 01-64	HCS 3/8-24 X 1 1/2, GR5
539 99 01-84	NUT 5/16-18, CENTER LOCK
539 99 01-87	LOCKWASHER 3/8
539 99 01-88	WASHER 5/16, SAE FLAT
539 99 02-50	WASHER 1/2, SAE FLAT
539 99 03-65	COTTER PIN
539 99 03-65	COTTER PIN
539 99 05-17	WASHER, 3/8, FLAT
539 99 05-46	NUT 3/8-16, CENTER LOCK
539 99 05-63	HCS 3/8-16 X 1, GR5

---

## PARTS DESCRIPTION

---

539 99 05-80	HCS 1/4-20 X 3/4, GR5
539 99 05-88	HCS 3/8-16 X 2, GR5
539 99 05-98	WASHER, 1/4, FLAT
539 99 06-92	WASHER 5/16, FLAT
539 99 07-61	NUT 1/4-20, CENTER LOCK
539 99 09-23	RHSNB 3/8-16 X 1 3/4, GR5
540 02 00-25	WHEEL, 12" SNOW HOG
540 02 02-01	BAIL KIT (INCLUDES 539 10 87-92 & 539 02 00-35
540 02 02-13	BELT GUARD BACK
540 02 02-21	BRACKET, KIT (INCLUDES ONE BRACKET & HARDWARE)
540 02 02-25	KIT, CUTTING WHEEL SHROUD (includes) SHROUD W/DECAL BOLT, 3/8-16 X 1 (4 EA) LOCKWASHER 3/8 (4 EA) WASHER 3/8, FLAT (4 EA)
540 20 00-27	DECAL, CAUTION LIST
540 20 01-26	DECAL, EAR AND EYE WARNING



 **Husqvarna**