

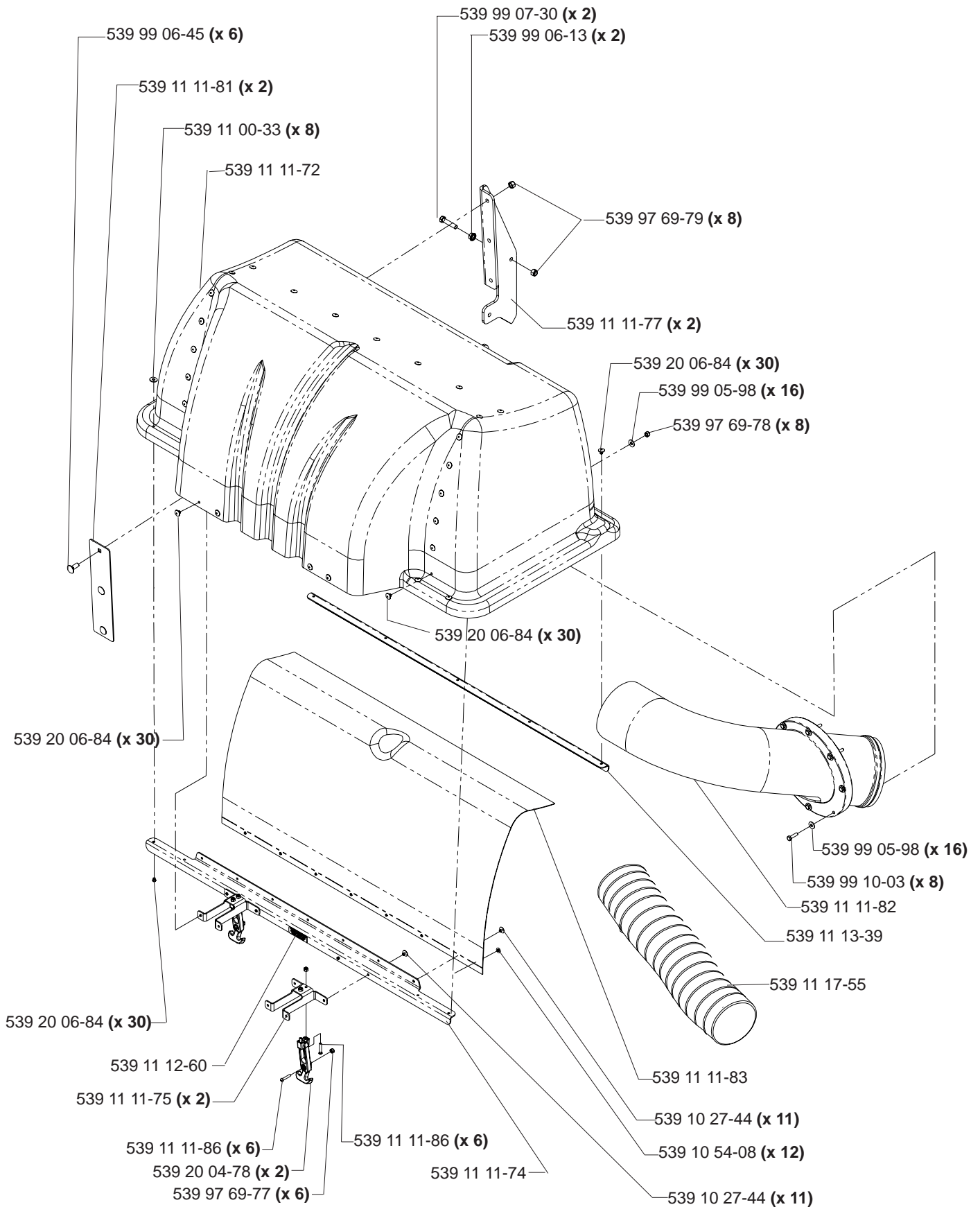
Collection System

Models: 111750 / HCS1372

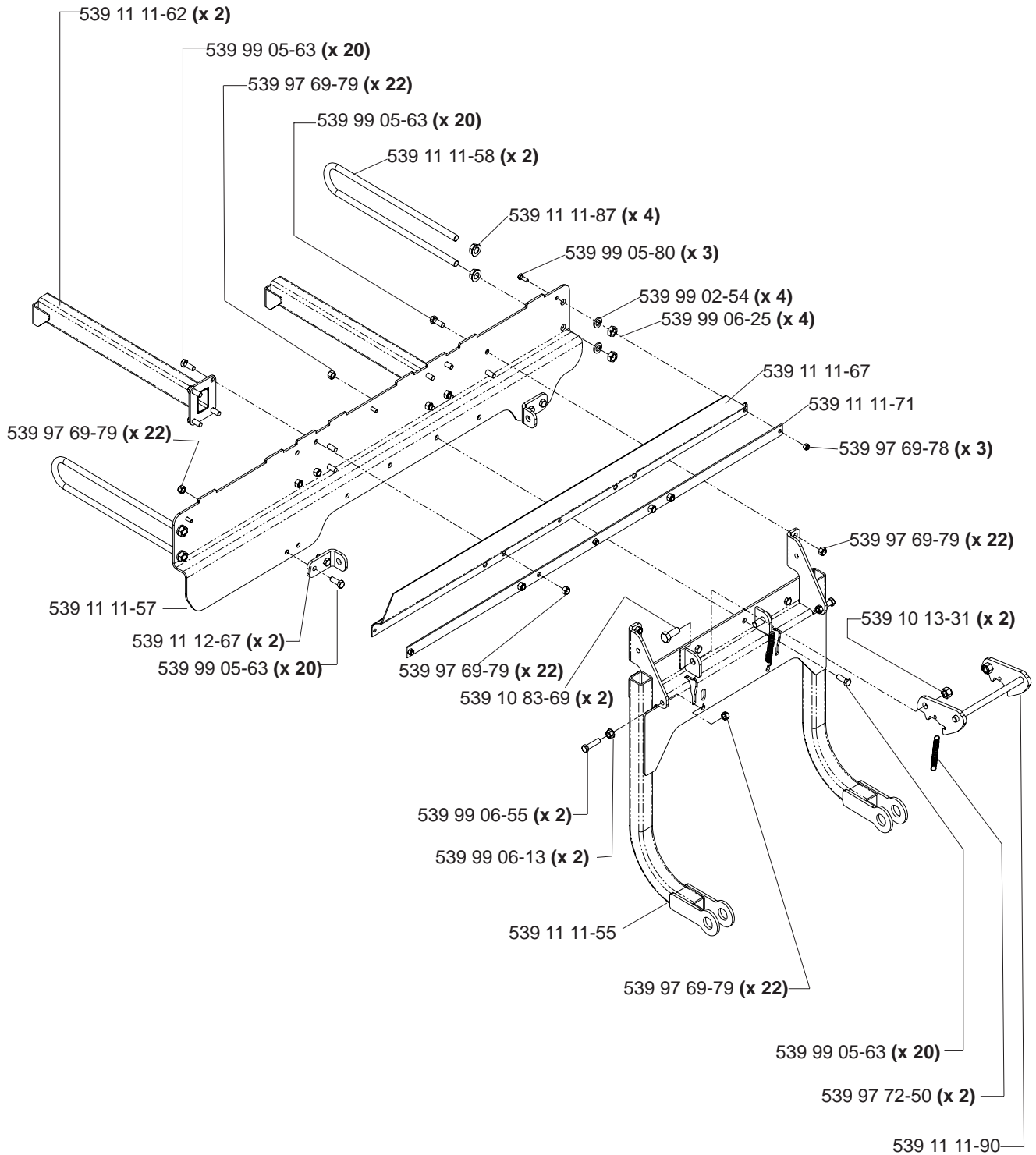
Parts Manual

(03/31/05)

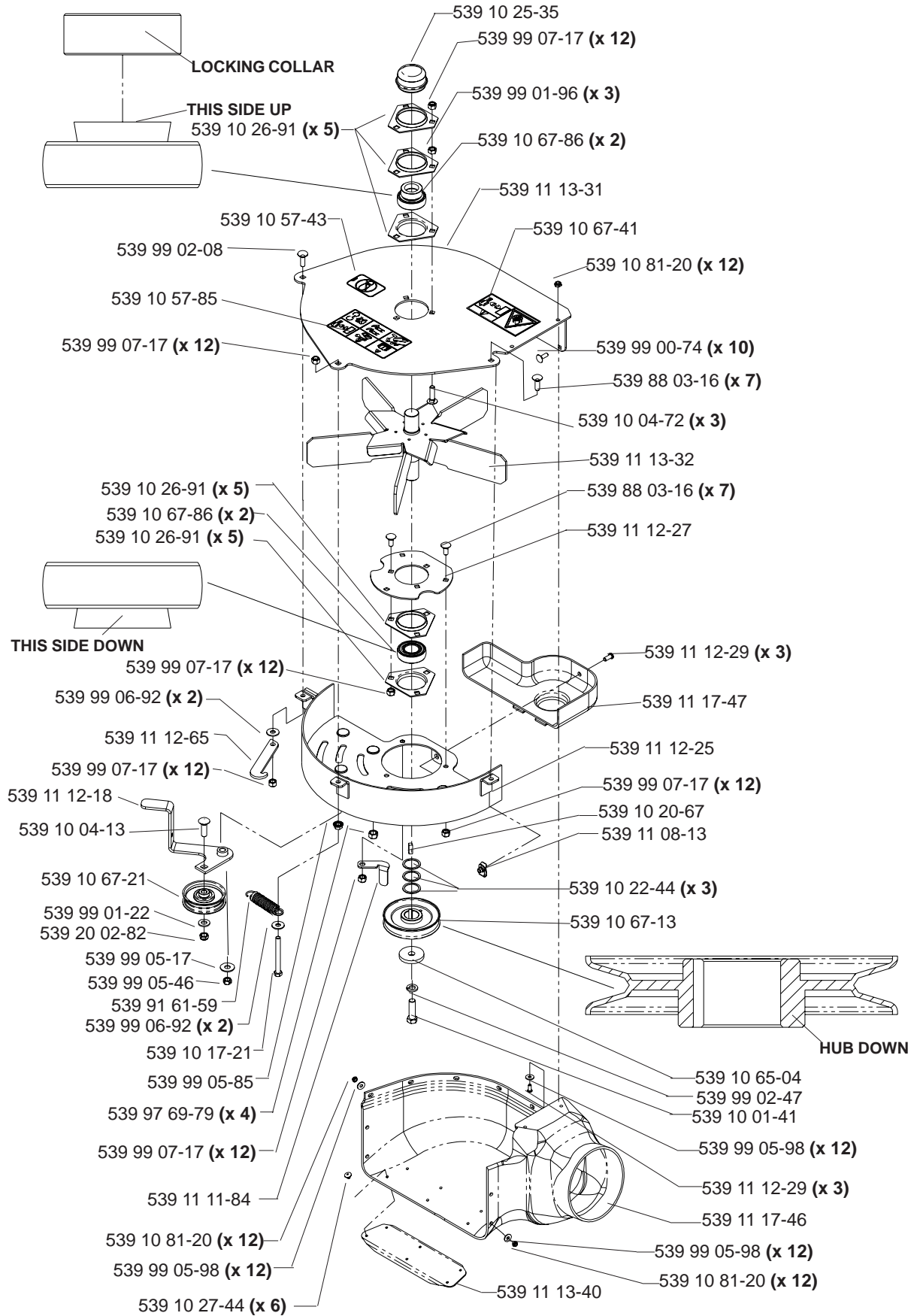
HOOD ASSEMBLY



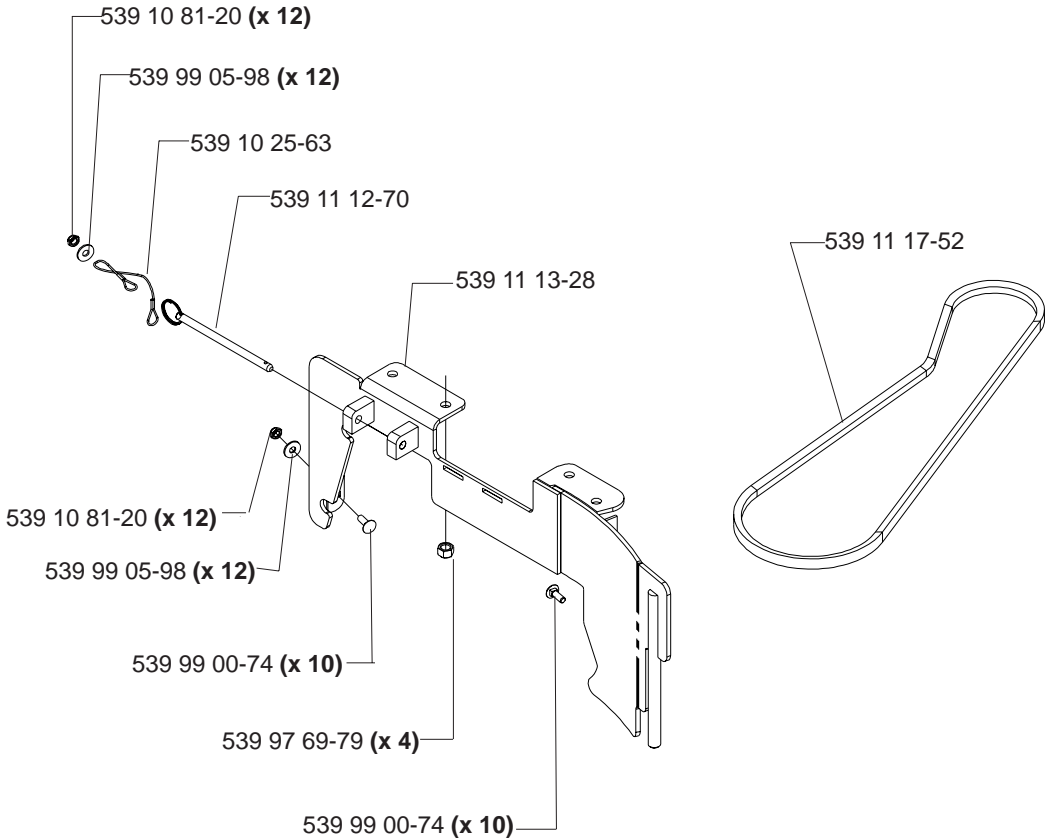
HITCH ASSEMBLY



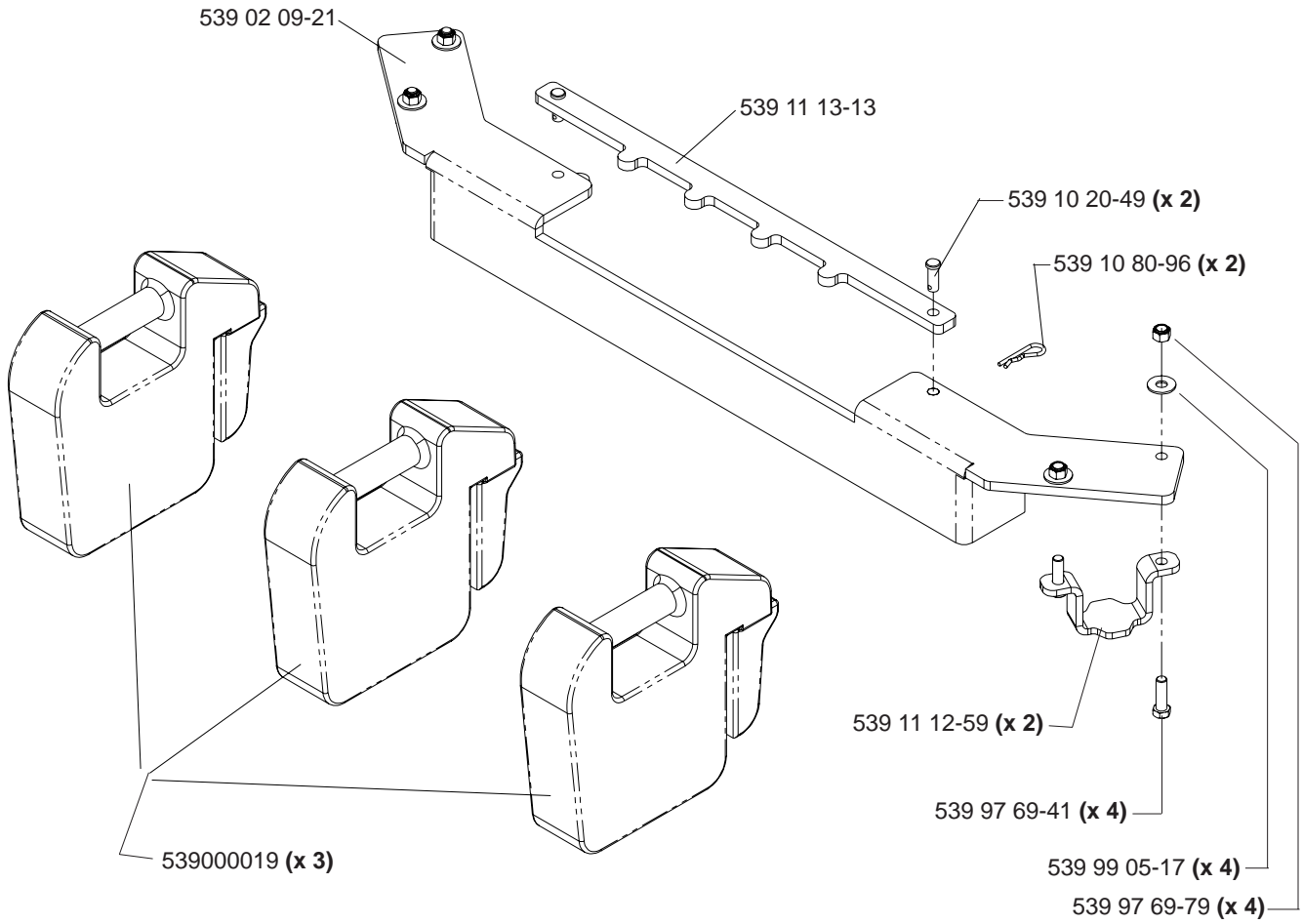
BLOWER ASSEMBLY



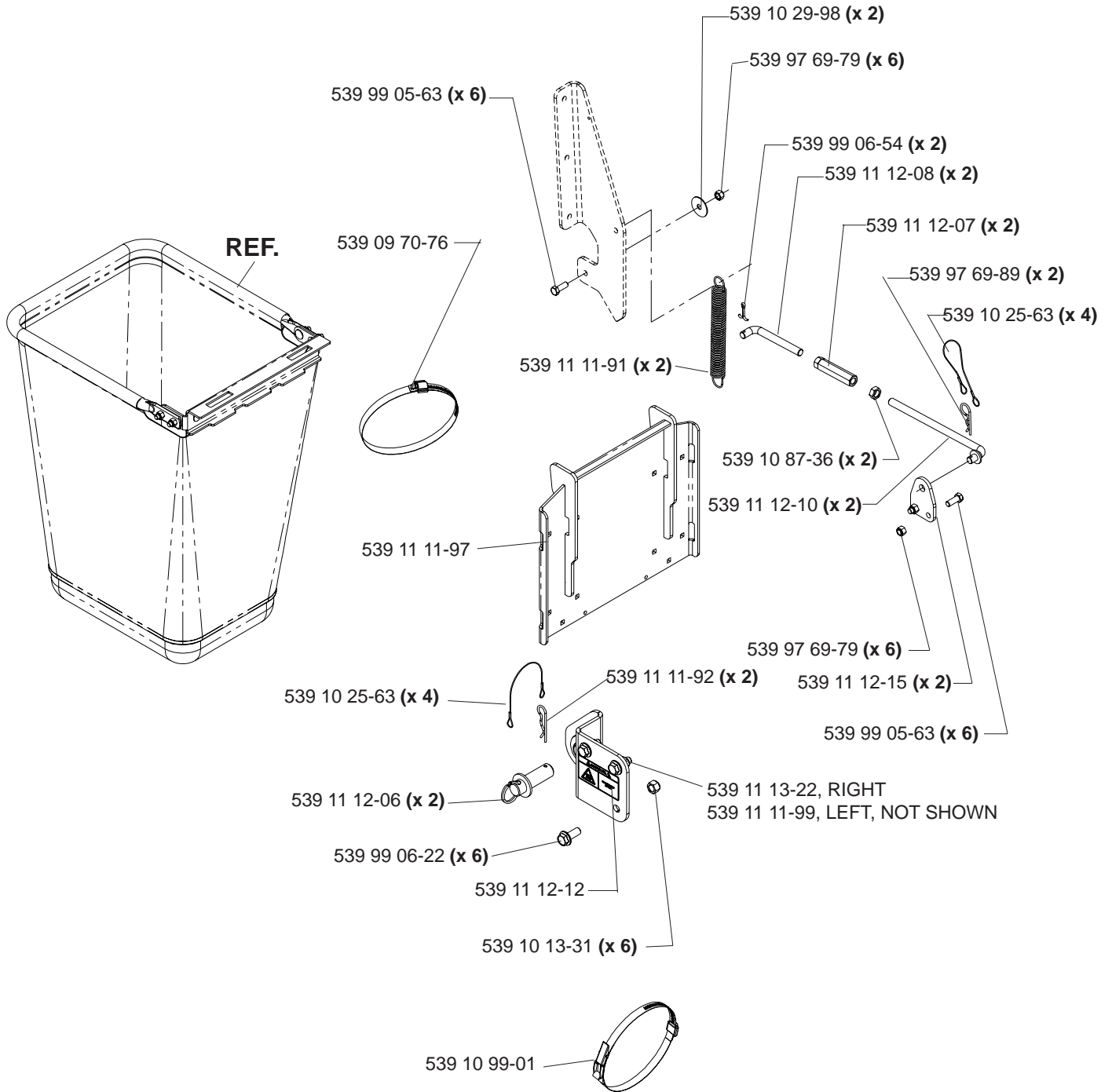
BLOWER ASSEMBLY



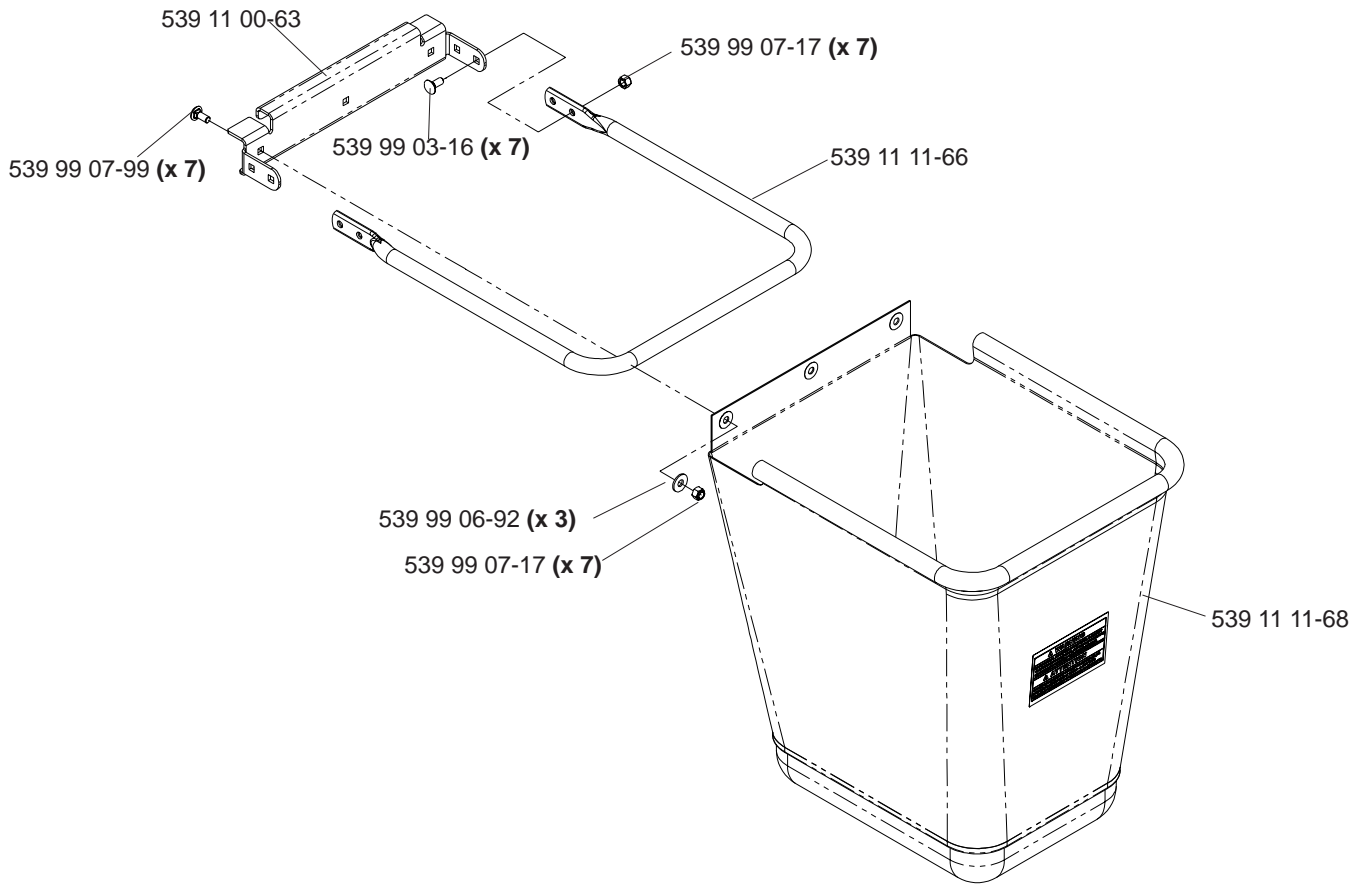
WEIGHT KIT



MOUNTING KIT

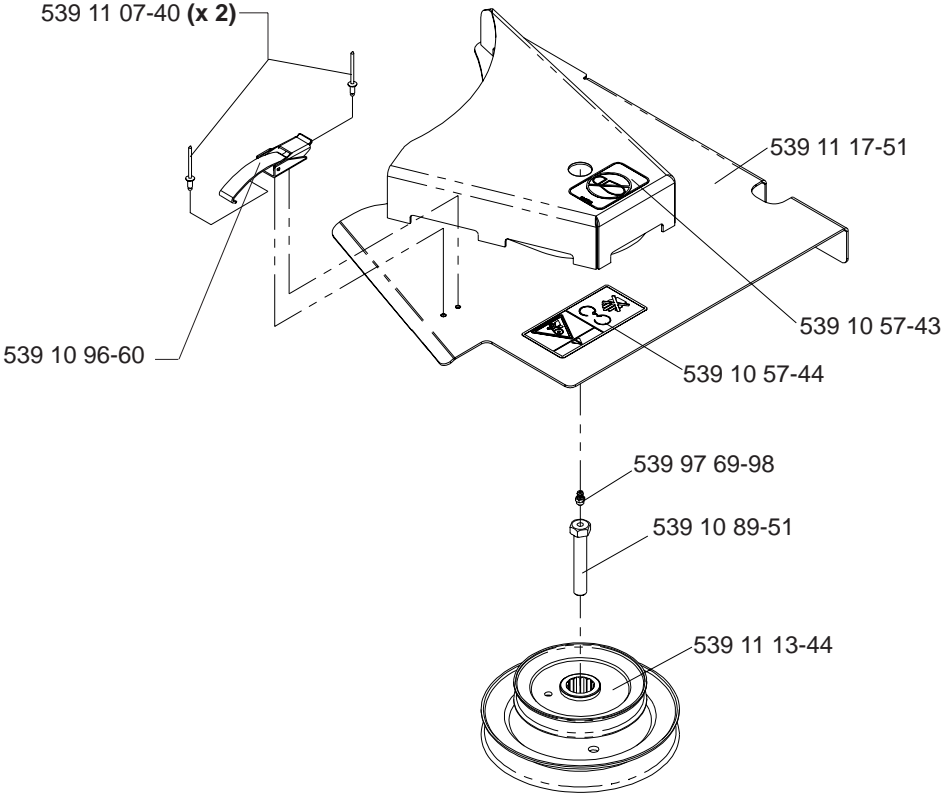


BAG ASSEMBLY



DRIVE KIT ASSEMBLY

(539) 111749 - 72 INCH DECK



PARTS DESCRIPTION

PART NUMBER	DESCRIPTION
539 02 09-21	WEIGHT BAR, FRONT
539 09 70-76	HOSE CLAMP 6"-& 7"
539 10 01-41	HCS, 7/16-20 X 1 1/2, GR5
539 10 04-13	RHSNB, 3/8-16 X 1 1/4, GR5
539 10 04-72	RHSNB, 5/16C X 1 1/4
539 10 13-31	NUT, 1/2C, NYLOC
539 10 13-31	NUT, 1/2C, NYLOC
539 10 17-21	HCS, 5/16-18 X 2 3/4, GR5
539 10 20-49	CLEVIS PIN
539 10 20-67	KEY, 1/4" SQ. X 3/4"
539 10 22-44	BUSHING, MACHINE, 18 GA
539 10 25-35	GREASE CAP
539 10 25-63	LANYARD
539 10 25-63	LANYARD
539 10 26-91	FLANGETTE
539 10 27-44	RIVET, 3/16 X 1/4
539 10 29-98	FRICITION WASHER
539 10 54-08	WASHER, #10
539 10 57-43	DECAL, NO STEP
539 10 57-44	DECAL, DANGER BELT DRIVES
539 10 57-85	DECAL, WARNING
539 10 65-04	WASHER, HEAVY
539 10 67-13	SHEAVE, 4"
539 10 67-21	IDLER
539 10 67-41	DECAL, SERVERING
539 10 67-86	BEARING
539 10 80-96	SPRING RETAINER
539 10 81-20	NUT, 1/4C, THIN NYLOC
539 10 83-69	HCS, 1/2-13 X 1 1/4
539 10 87-36	NUT, 1/2-20, HEX JAM
539 10 89-51	HCS, 7/16-20 X 2 1/2, GR5, SPEC.
539 10 96-60	DRAW LATCH
539 10 99-01	OVER CENTER BAND
539 11 00-33	WASHER, #10
539 11 00-63	HANGER, BAG
539 11 07-40	RIVET, BLIND, DOME STYLE, 5/32 DIA.
539 11 08-13	RETAINER, 1/4C, "U" TYPE
539 11 11-55	HITCH
539 11 11-57	MOUNT Z BRACE
539 11 11-58	SUPPORT, OUTER
539 11 11-62	SUPPORT ARM
539 11 11-67	SEAL, RUBBER
539 11 11-71	SEAL STRAP
539 11 11-72	HOOD
539 11 11-74	HOOD SUPPORT
539 11 11-75	SUPPORT, DRAW LATCH
539 11 11-77	HOOD HINGE
539 11 11-81	MOUNT PLATE
539 11 11-82	INLET TUBE
539 11 11-83	MESH, POLY DIAMOND
539 11 11-84	BELT GUIDE
539 11 11-86	SCREW, #10-24 X 1 1/8, MACH.

PARTS DESCRIPTION

PART NUMBER	DESCRIPTION
539 11 11-87	NUT, 1/2-13, WHIZLOCK
539 11 11-90	LATCH
539 11 11-91	SPRING
539 11 11-92	HAIRPIN
539 11 11-97	REAR GUARD
539 11 11-99	HITCH BRACKET, LEFT (NOT SHOWN)
539 11 12-06	HITCH PIN
539 11 12-07	TURNBUCKLE, 1/2"
539 11 12-08	SUPPORT LINKAGE, LH
539 11 12-10	SUPPORT LINKAGE
539 11 12-12	DECAL, HOT SURFACE
539 11 12-15	SUPPORT BRACKET
539 11 12-18	IDLER ARM
539 11 12-25	FLOOR WELDMENT
539 11 12-27	BEARING PLATE
539 11 12-29	SCREW, 1/4-20 X 5/8, BTN, SKT HD
539 11 12-59	WEIGHT KEEPER
539 11 12-60	DECAL, VENTILATION
539 11 12-65	KEEPER, IDLER
539 11 12-67	BRACKET, SUPPORT
539 11 12-70	PIN
539 11 13-13	HOLD DOWN, WEIGHT BAR
539 11 13-22	HITCH BRACKET, RIGHT, W/DECAL
539 11 13-28	BLOWER DECK PLATE
539 11 13-31	FAN COVER
539 11 13-32	FAN WELDMENT
539 11 13-39	HOOD SUPPORT, REAR
539 11 13-40	BLOWER SUPPORT
539 11 13-44	PULLEY, STACKED DOUBLE
539 11 17-46	BLOWER HOUSING
539 11 17-47	PULLEY SHIELD
539 11 17-51	BELT SHIELD W/DECALS & LATCH
539 11 17-52	BELT
539 11 17-55	HOSE
539 20 02-82	NUT, 3/8-16, JAM NYLOC
539 20 04-78	DRAW LATCH, FLEXIBLE T-HANDLE
539 20 06-84	RIVET, 1/4 STAVEX
539 88 03-16	RHSNB, 5/16 X 3/4
539 91 61-59	SPRING
539 97 69-41	HCS, 3/8-16 X 1 1/4, GR5
539 97 69-77	NUT, #10-24, NYLOC
539 97 69-78	NUT, 1/4C, NYLOC
539 97 69-79	NUT, 3/8C, NYLOC
539 97 69-89	HAIRPIN #4
539 97 69-98	ZERK
539 97 72-50	SPRING
539 99 00-74	RHSNB, 1/4-20 X 3/4, GR2
539 99 01-22	WASHER, 3/8, SAE
539 99 01-96	NUT, 5/16C
539 99 02-08	RHSNB, 5/16-18 X 1, GR5

PARTS DESCRIPTION

PART NUMBER	DESCRIPTION
539 99 02-47	LOCKWASHER, 7/16
539 99 02-54	WASHER, 1/2
539 99 03-16	RHSNB 5/16-18 X 5/8, GR5
539 99 05-17	WASHER, 3/8
539 99 05-46	NUT, 3/8, CENTERLOCK
539 99 05-63	HCS, 3/8-16 x 1, GR5
539 99 05-80	HCS, 1/4-20 X 3/4
539 99 05-85	NUT, 5/16C
539 99 05-98	WASHER, 1/4
539 99 06-13	NUT, 3/8C
539 99 06-22	HFS, 1/2-13 X 1 1/2
539 99 06-25	NUT, 1/2, JAM
539 99 06-45	RHSNB, 3/8-16 X 1
539 99 06-54	COTTER PIN, 5/32 X 1 1/4
539 99 06-55	HCS, 3/8-16 X 1 1/2
539 99 06-92	WASHER, 5/16
539 99 07-17	NUT, 5/16C, NYLOC
539 99 07-30	HCS, 3/8-16 X 1 3/4
539 99 10-03	HCS, 1/4-20 X 1 3/4
ER92531	CAST COUNTERWEIGHT