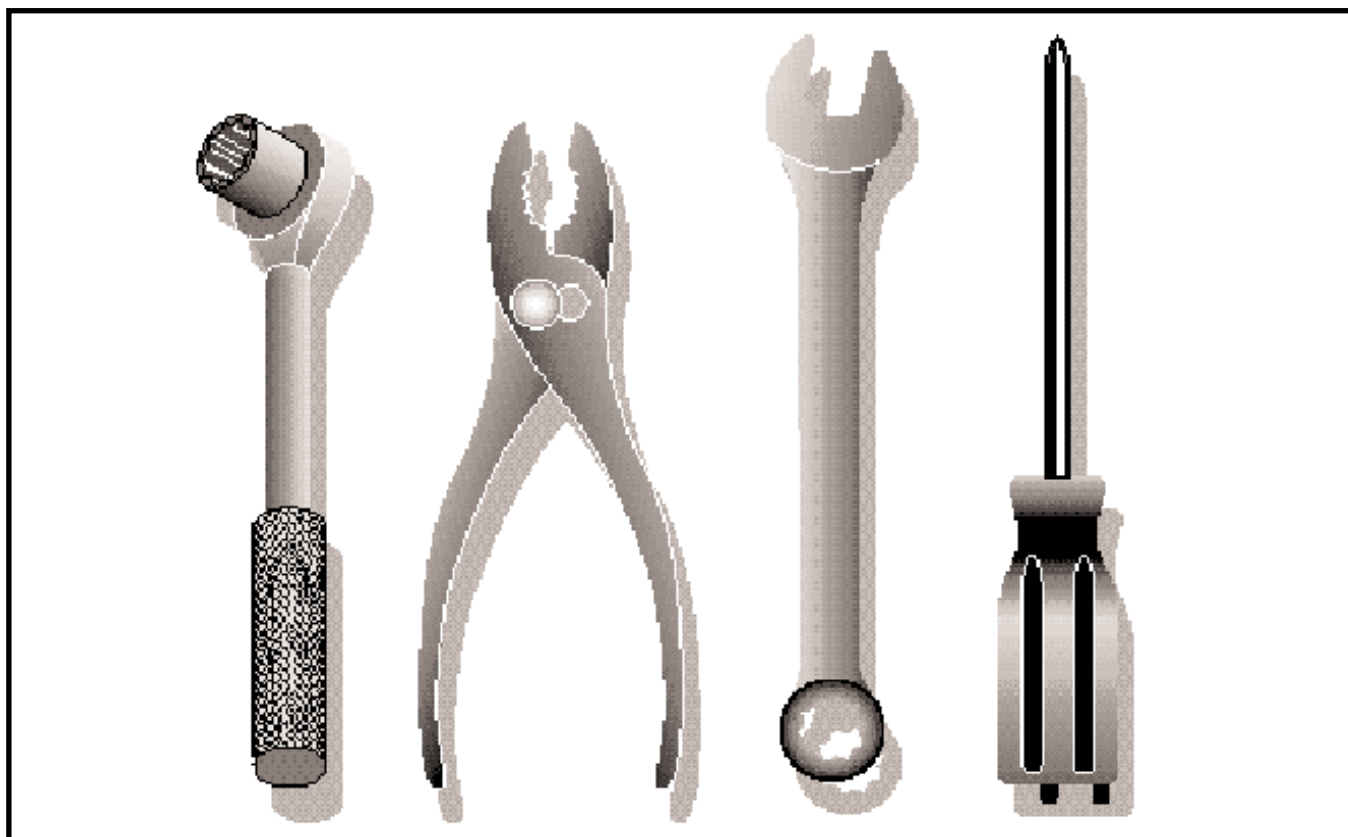


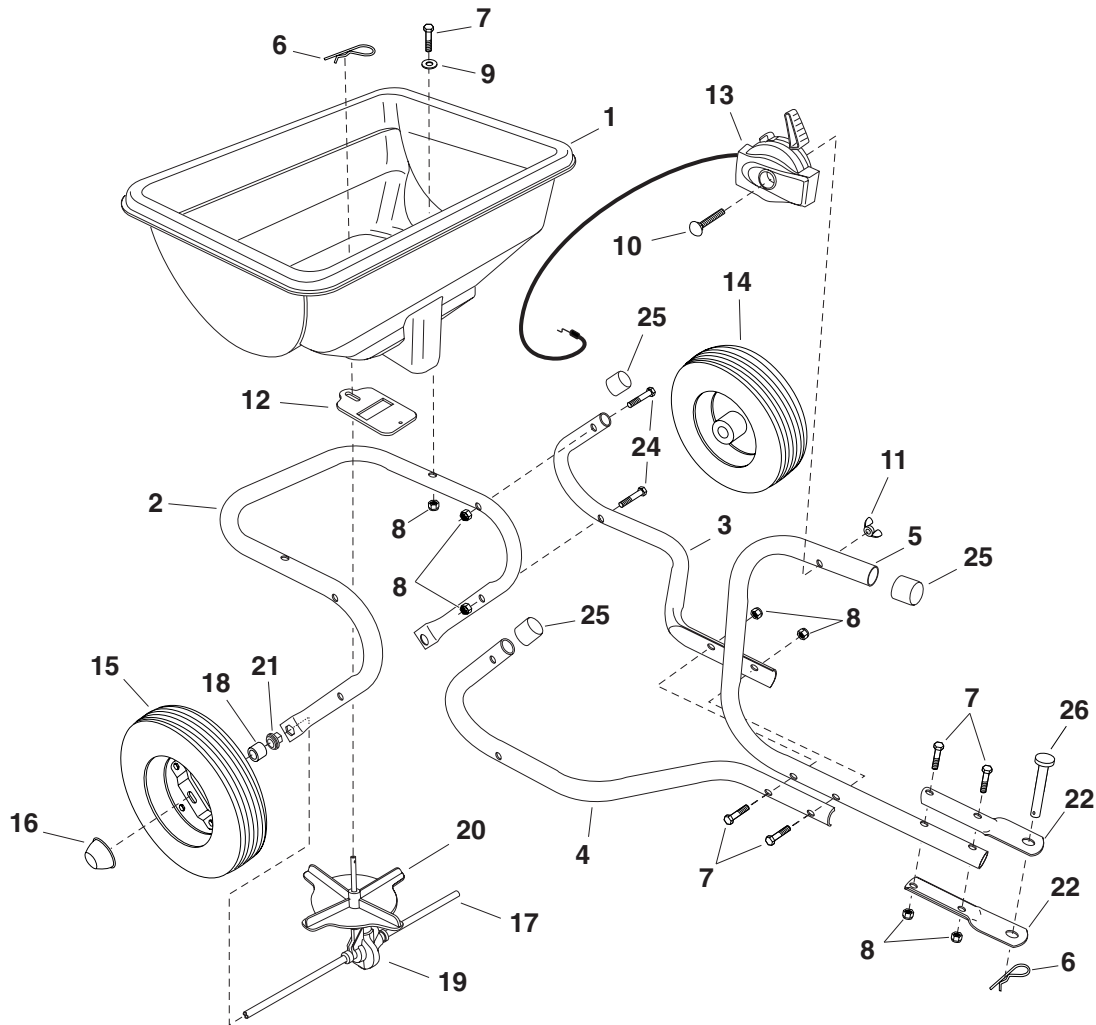
Broadcast Spreader

BS85

(45-03151)



REPAIR PARTS FOR MODEL 45-03151



REF. NO.	PART NO.	QTY.	DESCRIPTION	REF. NO.	PART NO.	QTY.	DESCRIPTION
1	47994BLK	1	Hopper	15	48865	1	Drive Wheel
2	49085	1	Frame Tube	16	44663	2	Hub Cap (Push Nut)
3	49087	1	Hitch Tube (LH)	17	49082	1	Axle
4	49088	1	Hitch Tube (RH)	18	47851	2	Spacer
5	49091	1	Hitch Control Tube	19	49084	1	Gearbox
6	43343	2	Hair Cotter Pin	20	47124	1	Impeller
7	1509-69	6	Hex Bolt, 1/4-20 x 1-3/4	21	47963	2	Hex Flange Bearing
8	47189	10	Nylock Nut, 1/4-20	22	24446	2	Hitch Bracket
9	43088	2	Washer, 1/4 Std	23	47623	1	Hitch Pin
10	47316	1	Carriage Bolt 1/4-20 x 2-1/4	24	45164	4	Hex Bolt, 1/4-20 x 2-1/4
11	47141	1	Nylon Wing Nut 1/4-20	25	44481	3	Vinyl Cap
12	47983	1	Flow Slide		49086	1	Owners Manual
13	47999	1	Control Cable				
14	46503	1	Wheel				

SpeedPart *the fastest way to purchase parts* www.speedepart.com



Please do not return this product to the Store

For Missing Parts Or Questions on How to Assemble:

1. Call Agri-Fab at 1-800-448-9282 Option # 1
Monday through Friday, 7 am to 5 pm CST
2. Fax Agri-Fab at 217-728-2032 or email info@agri-fab.com

Missing part shipments are normally shipped from the Agri-Fab factory within 24 hours zip code 61951. 1 to 5 days delivery for UPS.

For Replacement and/or Repair Parts:

1. Call Agri-Fab at 1-800-448-9282 Option # 1
Monday through Friday, 7 am to 5 pm CST
2. Visit Agri-Fab's website at <http://www.agri-fab.com> and view illustrated parts breakdowns and parts listing and purchase parts via our <http://www.speedepart.com> site online.