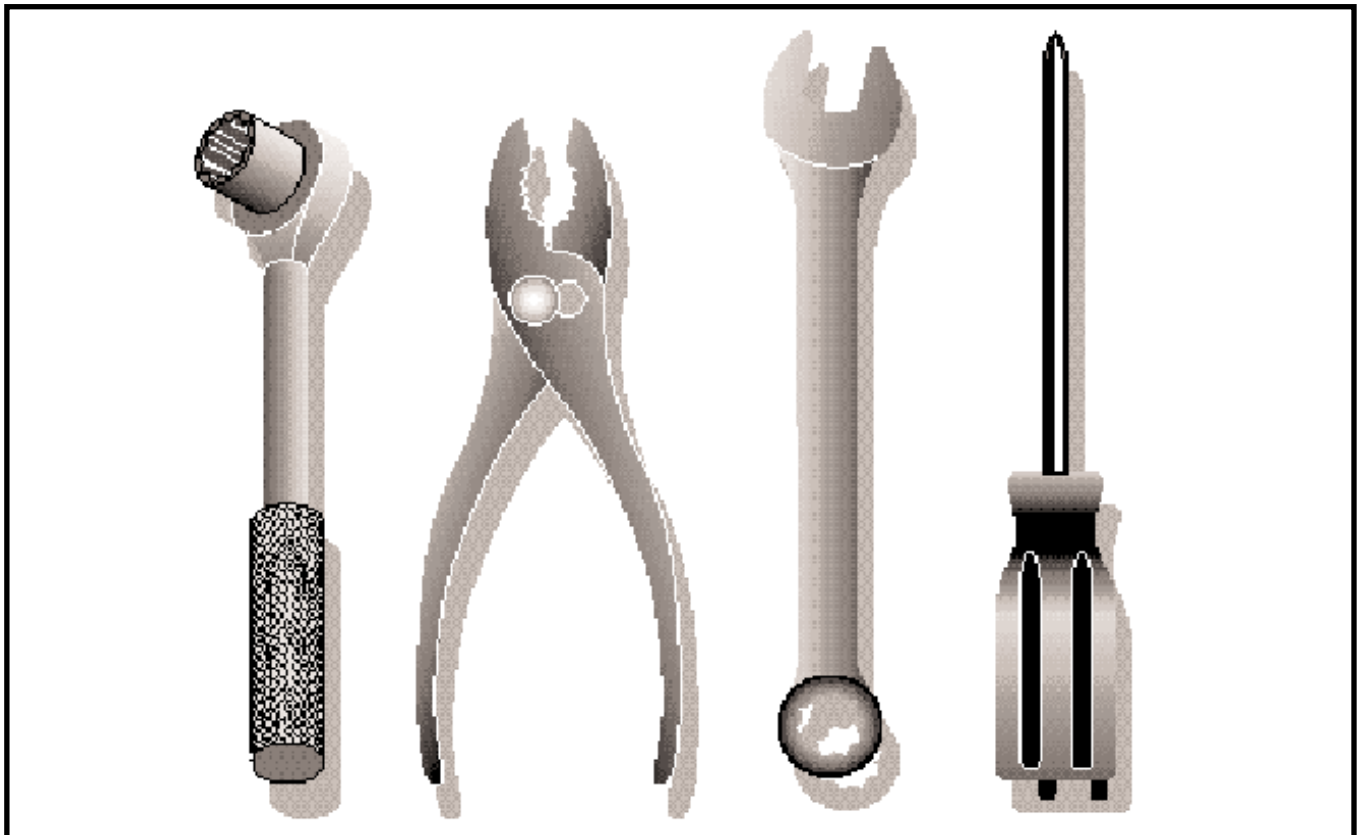


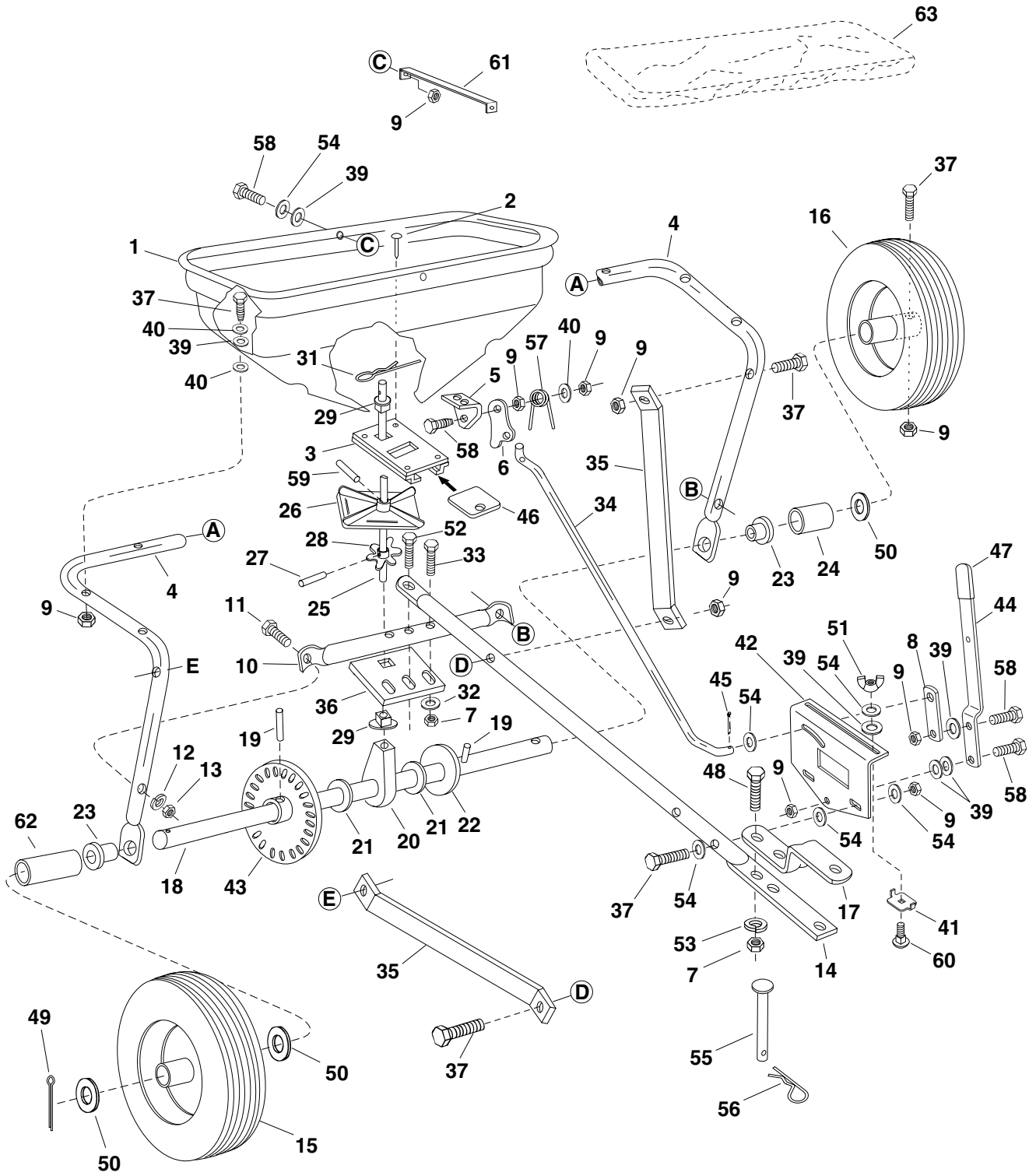
## Broadcast Spreader

# BS175

(45-01873)



# REPAIR PARTS FOR BROADCAST SPREADER MODEL 45-01873



## REPAIR PARTS FOR BROADCAST SPREADER MODEL 45-01873

REF. NO.	PART NO.	QTY.	DESCRIPTION	REF. NO.	PART NO.	QTY.	DESCRIPTION
1	44480	1	Hopper	32	43070	5	Washer, Flat 3/8" *
2	43882	4	Rivet, Stainless	33	41576	2	Bolt, Hex 3/8-16 x 1-3/4" Lg. *
3	62482	1	Ass'y, Guide Closure	34	44469	1	Rod, Flow Control
4	44462	1	Tube, Frame	35	23525	2	Brace, Hitch
5	23753	1	Slide Gate Angle Bracket	36	23762	1	Shaft Support Plate
6	23758	1	Slide Gate Bracket	37	1509-069	12	Bolt, Hex 1/4-20 x 1-3/4"
7	43082	5	Nut, Hex Lock 3/8-16 Thd.*	39	1543-069	12	Washer, Nylon
8	24857	1	Flow Control Link	40	43088	13	Washer, Flat 1/4" Std.
9	43013	18	Nut, Hex Lock 1/4-20 Thd.*	41	24858	1	Stop, Adjustable
10	43808	1	Tube, Crossover	42	24855	1	Bracket, Flow Control Mount
11	43084	2	Bolt, Hex 5/16-18 x 1-3/4" Lg.	43	62474	1	Gear Assembly
12	43086	2	Lock Washer, 5/16"	44	24859	1	Flow Control Arm
13	43064	2	Nut, Hex Lock, 5/16-18 Thd.*	45	44101	1	Cotter Pin 3/32" x 3/4" Lg. *
14	44487	1	Tube, Hitch	46	23533	1	Plate, Closure
15	43008	1	Wheel, Idler	47	43848	1	Grip, Flow Control Arm
16	44459	1	Wheel, Drive	48	43087	2	Bolt, Hex 3/8-16 x 1-1/4" Lg. *
17	23687	1	Bracket, Hitch	49	43093	1	Pin, Cotter 1/8" x 1-1/2"
18	25017	1	Shaft, Axle	50	43009	4	Washer, Flat 1-5/8" O.D.
19	43851	2	Pin, Spring 3/16" Dia. x 1-1/4" Lg.	51	47141	1	Wing Nut, Nylon
20	43871	1	Bushing, Axle Shaft	52	43054	1	Bolt, Hex 3/8-16 x 2" Lg. *
21	1540-032	5	Washer, Flat .78 I.D.	53	43003	2	Lock Washer, 3/8" *
22	1540-162	1	Washer, Flat 1/2"	54	R19111116	10	Washer, 5/16 SAE
23	47615	2	Bearing, Flange	55	47623	1	Hitch Pin
24	48665	1	Spacer Tube (Short)	56	43343	1	Hair Cotter Pin, 1/8"
25	25305	1	Shaft, Sprocket	57	44566	1	Spring, Torsion
26	04367	1	Spreader Plate	58	43012	5	Bolt, Hex 1/4-20 x 3/4" Lg. *
27	43850	1	Pin, Spring 1/8" Dia. x 5/8".	59	46055	1	Pin, Spring 1/8" Dia. x 1" Lg.
28	44468	1	Sprocket, 6 Tooth	60	44950	1	Bolt, Carriage 1/4-20 x 3/4"
29	44285	2	Bushing, Delrin	61	23697	1	Strap, Hopper
31	48934	1	Hairpin, Agitator	62	44474	1	Spacer Tube (Long)
				63	43962	1	Vinyl Cover (Optional)
					48666	1	Owner's Manual



**Please do not return this product to the Store**

**For Missing Parts Or Questions on How to Assemble:**

1. Call Agri-Fab at 1-800-448-9282 Option # 1  
Monday through Friday, 7 am to 5 pm CST
2. Fax Agri-Fab at 217-728-2032 or email [info@agri-fab.com](mailto:info@agri-fab.com)

*Missing part shipments are normally shipped from the Agri-Fab factory within 24 hours zip code 61951. 1 to 5 days delivery for UPS.*

**For Replacement and/or Repair Parts:**

1. Call Agri-Fab at 1-800-448-9282 Option # 1  
Monday through Friday, 7 am to 5 pm CST
2. Visit Agri-Fab's website at <http://www.agri-fab.com> and view illustrated parts breakdowns and parts listing and purchase parts via our <http://www.speedepart.com> site online.