

# DIESEL ENGINE – CLOSED BREATHER

---

8

*D*



# KUBOTA D722 DIESEL ENGINE MOUNTING

ITEM	PART NO.	DESCRIPTION	QTY
		1 2 3 4	
1	603 00 01-57	Screw, M6-1.00 X 25mm Hex Cap .....	3
2	603 00 05-13	Stud, M8-1.25 X 50 mm Two-Ended .....	1
3	603 00 05-14	Stud, M8-1.25 X 60mm Two-Ended .....	1
4	603 00 12-98	Nut,m8,all Metal Lock .....	7
5	603 00 09-07	Spacer, Engine, Diesel .....	1
6	603 00 09-08	Isolator Ring and Bushing .....	4
7	603 00 09-09	Washer, Snubbing, Ring N Bush .....	4
8	603 00 09-37	Bracket, FNR Trans Cable .....	1
9	603 00 09-66	P-Clamp, Insulated .312 In .....	1
10	603 00 09-84	Plate, Engine Mounting, Weld, Left-Hand .....	1
11	603 00 09-85	Plate, Engine Mounting, Weld, Right-Hand .....	1
12	603 00 11-11	Hose, Vent, Transmission .....	1
13	603 00 11-13	Cover, CVT Inner, Diesel .....	1
14	603 00 11-28	Shaft, CVT Adapter .....	1
15	603 00 11-65	Bolt, M10 X 1.5 X 20 Loctite .....	4
16	603 00 11-66	Bolt, M8 X 1.25 X 25 Loctite .....	7
17	603 00 11-69	Bolt, M10 X 1.5 X 100 Loctite .....	1
18	603 00 11-86	Bracket, Transmission Mounting .....	2
19	603 00 11-91	Bolt, M10 X 1.25 X 25 Loctite .....	8
20	603 00 13-08	Lock Nut, Flg M8 X 1.25 Nylon .....	1
21	603 00 13-16	Bolt, M8 X 1.25 X 40 with Loctite .....	3
22	603 00 13-17	Nut Flg, M6 X 1.0 Nylon .....	3
23	603 00 15-86	Nut Flg M10 X 1.5 Nylon .....	1
24	603 00 28-85	Engine, Kubota, D722, with Closed Breather, 60a .....	1
25	603 00 04-37	Washer, M12 Hard .....	4
26	N/A	Locknut, M12x1.75 Nylon Insert .....	4
27	603 00 04-40	Bolt, M12 X 1.75 X 90 .....	4
28	603 00 04-49	Bolt, M8 X 1.25 X 80 .....	1
29	603 00 04-50	Washer, M8 Hard .....	10
30	603 00 04-51	Washer, M10 Hard .....	12

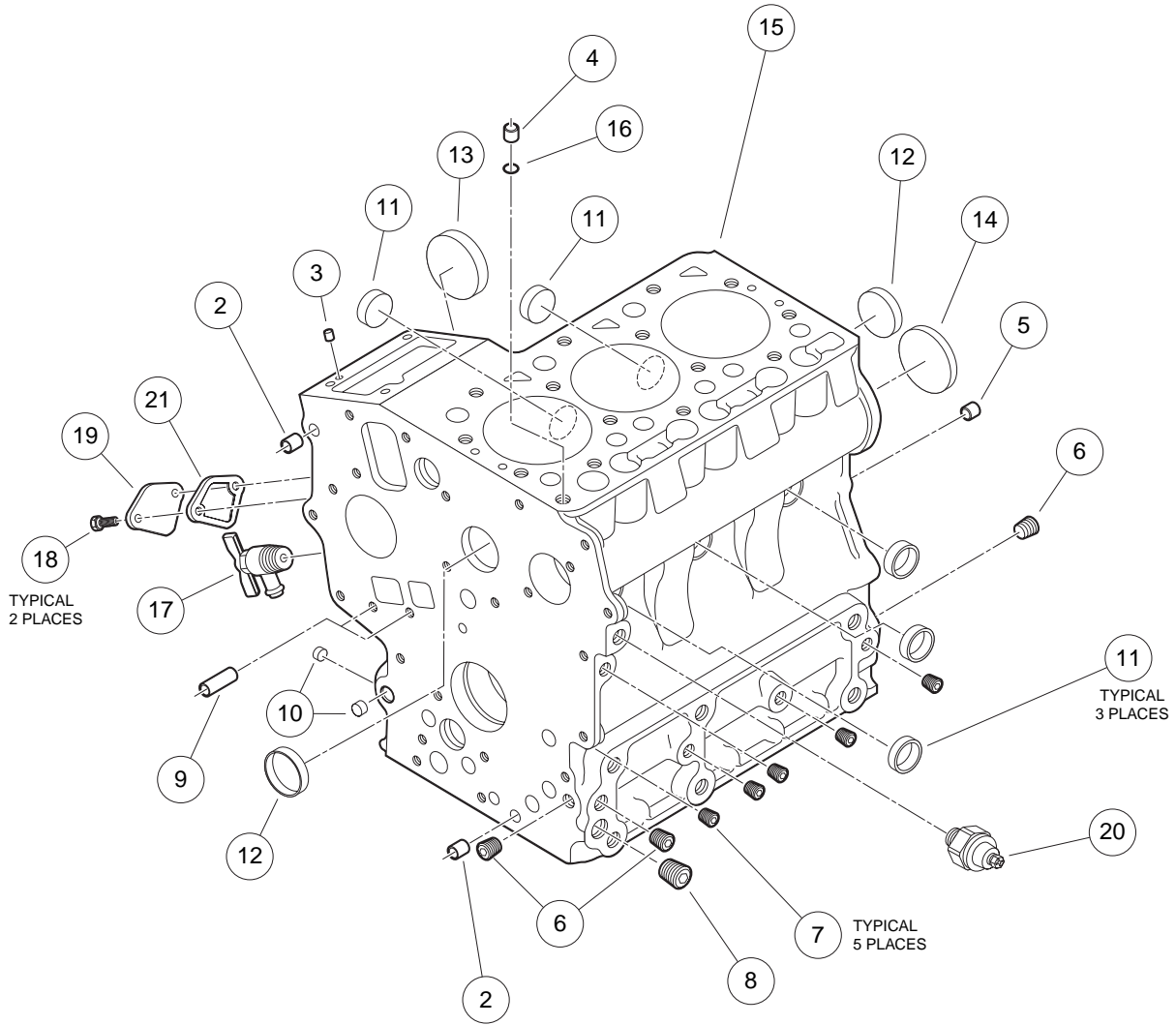
**8**

**D**

8

# DIESEL ENGINE

D



FRONT  
OF VEHICLE

2 THROUGH 15

1

000039-001

# CRANKCASE

**8**

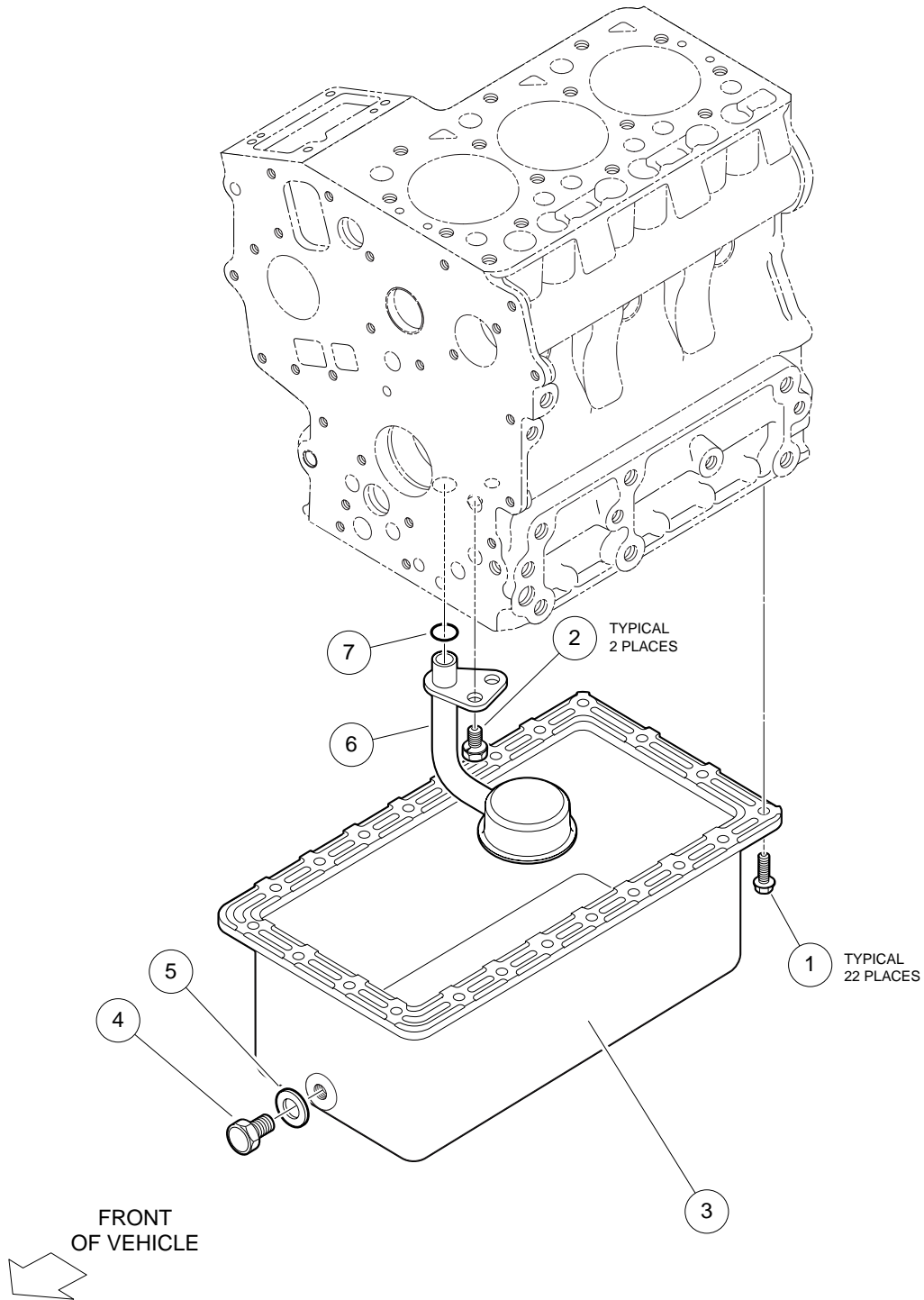
**D**

ITEM	PART NO.	DESCRIPTION	QTY
		<b>1 2 3 4</b>	
1	603 00 11-99	Engine Block (includes items 2 through 15) .....	1
2	603 00 12-00	Pin, Pipe, Dia 8 X 14 .....	2
3	603 00 12-01	Pin, Straight, Dia 5 X 10 .....	2
4	603 00 12-03	Pin, Pipe, Dia 7 X 14 .....	1
5	603 00 12-04	Pin, Straight, Dia 8 X 16 .....	2
6	603 00 12-05	Plug, 1/8" .....	3
7	603 00 12-06	Plug, 3/32" .....	5
8	603 00 12-07	Plug, 1/4" .....	1
9	603 00 12-09	Pin, Pipe, Dia 8 X 11 .....	2
10	603 00 17-00	Cap, Sealing, Small .....	3
11	603 00 17-01	Cap, Sealing, Med .....	5
12	603 00 17-02	Cap, Sealing, Large .....	2
13	603 00 17-03	Cover, Fuel Camshaft .....	1
14	603 00 17-04	Plug, Expansion .....	1
15	N/A	Block, Engine .....	1
16	603 00 12-02	O Ring, 8 X 7 .....	1
17	603 00 12-10	Cock, Drain .....	1
18	603 00 13-43	Bolt, M6 X 1 X 20 .....	2
19	603 00 16-61	Plate, Engine Block .....	1
20	603 00 17-46	Switch, Oil Pressure .....	1
21	603 00 17-62	Gasket, Fuel Pump, D722 .....	1

8

# DIESEL ENGINE

D



000040-001

# OIL PAN

ITEM	PART NO.	DESCRIPTION	QTY
		<b>1 2 3 4</b>	
1	603 00 12-36	Bolt, M6 X 1 X 14 .....	22
2	603 00 12-51	Bolt, M8 X 1.25 X 15 .....	1
3	603 00 12-52	Oil Pan .....	1
4	603 00 12-53	Plug, Drain, M12 X 14 .....	1
5	603 00 12-54	Gasket, 20 X 13 .....	1
6	603 00 12-55	Filter, Oil, Pick Up .....	1
7	603 00 14-59	O Ring, 20 X 17 .....	1

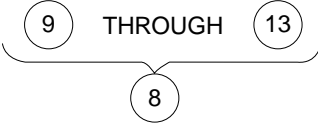
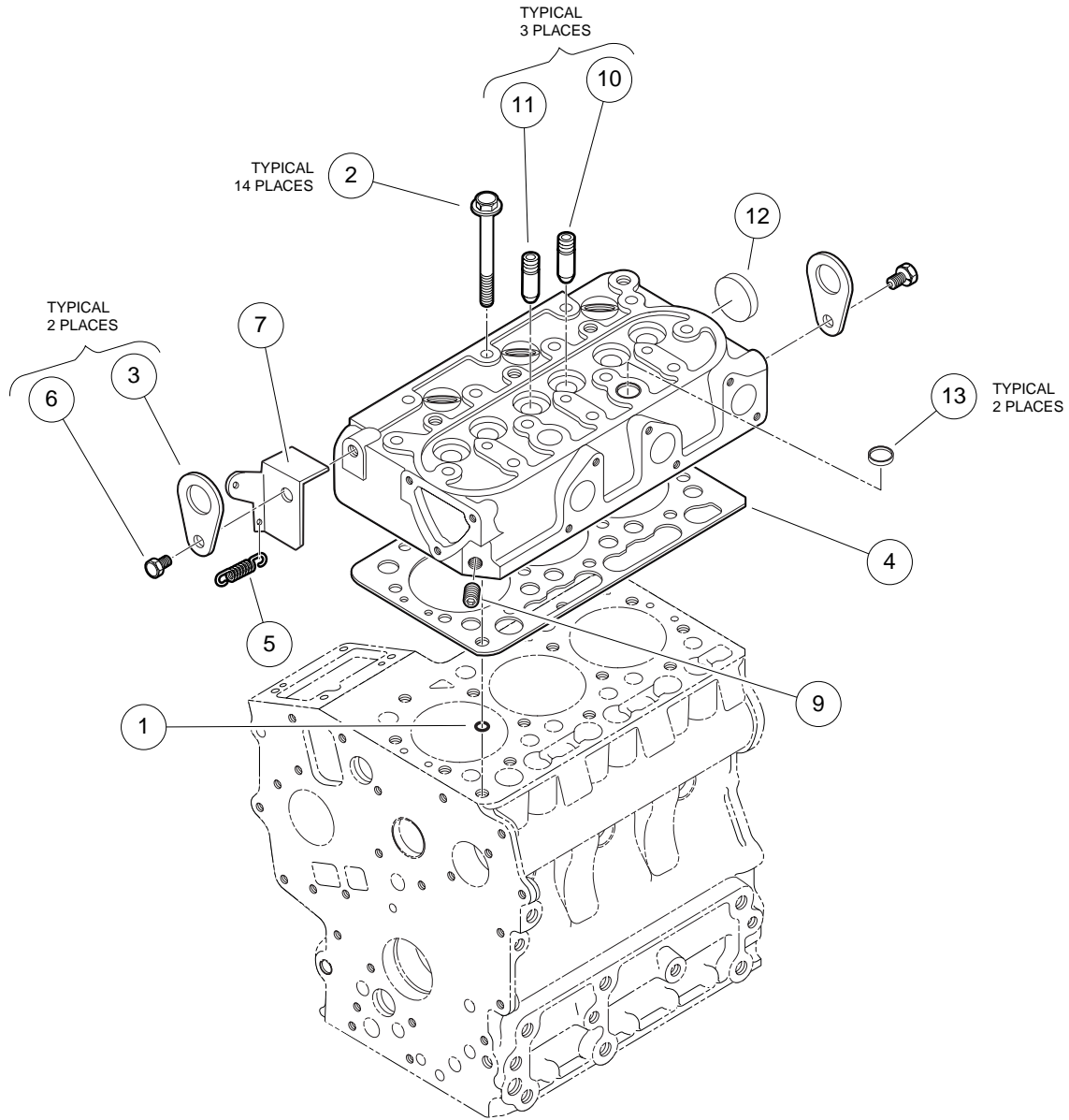
**8**

**D**

8

# DIESEL ENGINE

D



FRONT  
OF VEHICLE

000041-002



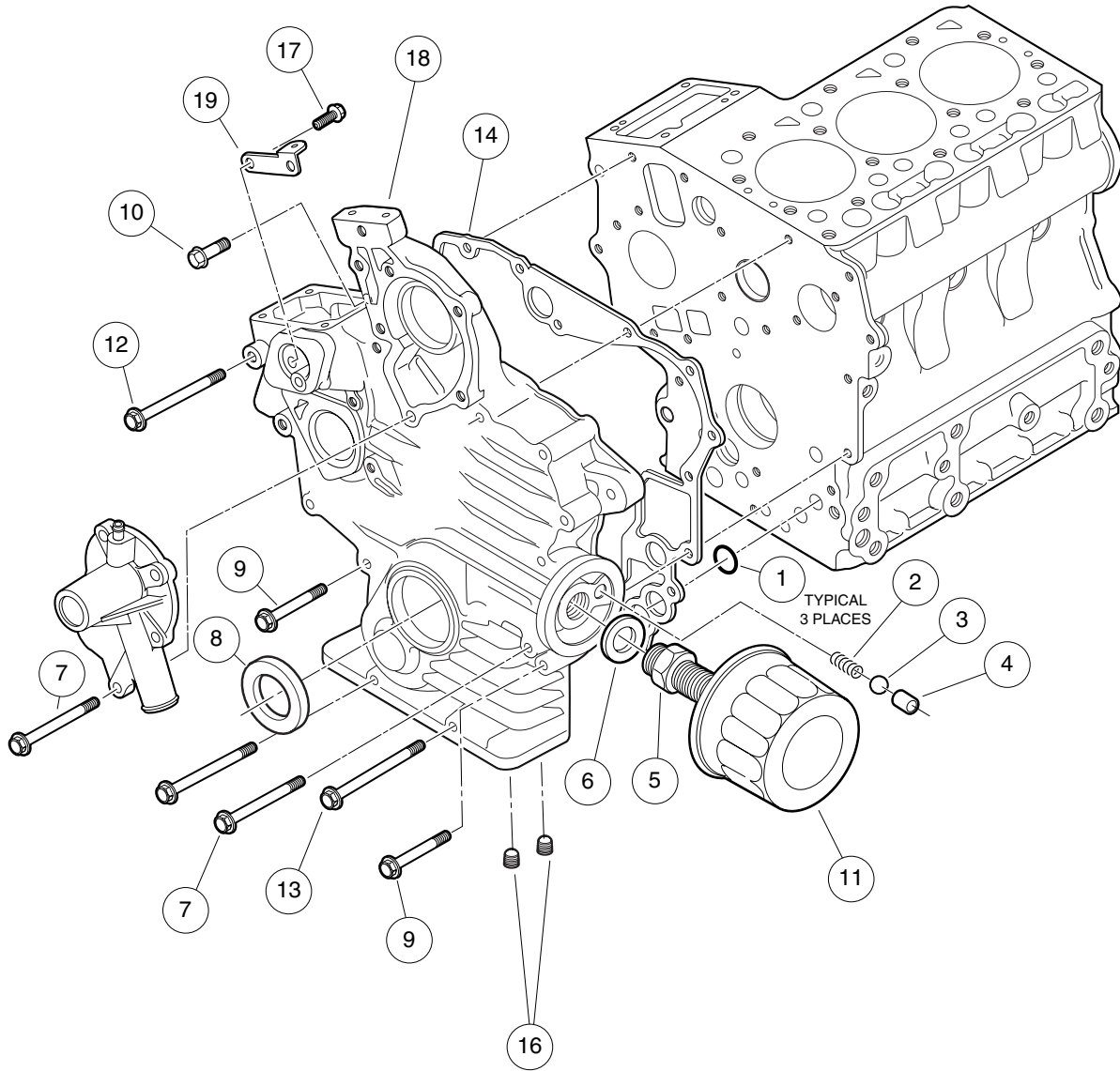
# CYLINDER HEAD

ITEM	PART NO.	DESCRIPTION	QTY
		<b>1 2 3 4</b>	
1	603 00 12-02	O Ring, 8 X 7 .....	1
2	603 00 14-44	Bolt, Cylinder Head .....	14
3	603 00 14-54	Hook, Engine .....	2
4	603 00 14-55	Gasket, Cylinder Head .....	1
5	603 00 16-62	Spring, Start .....	1
6	603 00 17-05	Bolt, Engine Hook .....	2
7	603 00 17-09	Stay, Cylinder Head .....	1
8	603 00 17-06	Head, Cylinder, Complete (includes items 9 through 13) .....	1
9	603 00 12-06	Plug, 3/32" .....	1
10	603 00 14-50	Guide, Exhaust Valve .....	3
11	603 00 14-51	Guide, Inlet Valve .....	3
12	603 00 17-07	Cap, Sealing, Head .....	1
13	603 00 17-08	Cap, Sealing, Head, Top .....	2

**8**

**D**

# DIESEL ENGINE



FRONT  
OF VEHICLE  
↙

000042-002

# GEAR CASE

ITEM	PART NO.	DESCRIPTION	QTY
		1 2 3 4	
1	603 00 12-12	O Ring, 18 X 13 .....	3
2	603 00 12-13	Spring, Valve .....	1
3	603 00 12-14	Ball, Valve .....	1
4	603 00 12-15	Seat, Valve .....	1
5	603 00 12-16	Joint, Pipe .....	1
6	603 00 12-17	Washer, Plain, Special .....	1
7	603 00 12-18	Bolt, M6 X 1 X 60 .....	2
8	603 00 12-19	Seal, Oil .....	1
9	603 00 12-20	Bolt, D722, Front Case .....	9
10	603 00 14-56	Bolt, D722 Intake Manfld Lower .....	1
11	603 00 00-41	Filter, Engine Oil, D722 .....	1
12	603 00 17-12	Bolt, Gearcase, Top .....	2
13	603 00 17-13	Bolt, Gearcase, Lower .....	1
14	603 00 17-31	Gasket, Gearcase, D722 .....	1
15	603 00 17-11	Case, Gear (includes items 16 through 19) .....	1
16	603 00 12-07	Plug, 1/4" .....	2
17	603 00 18-11	Screw, Breather .....	2
18	N/A	Case, Gear .....	1
19	603 00 18-10	Stay, Spring .....	1

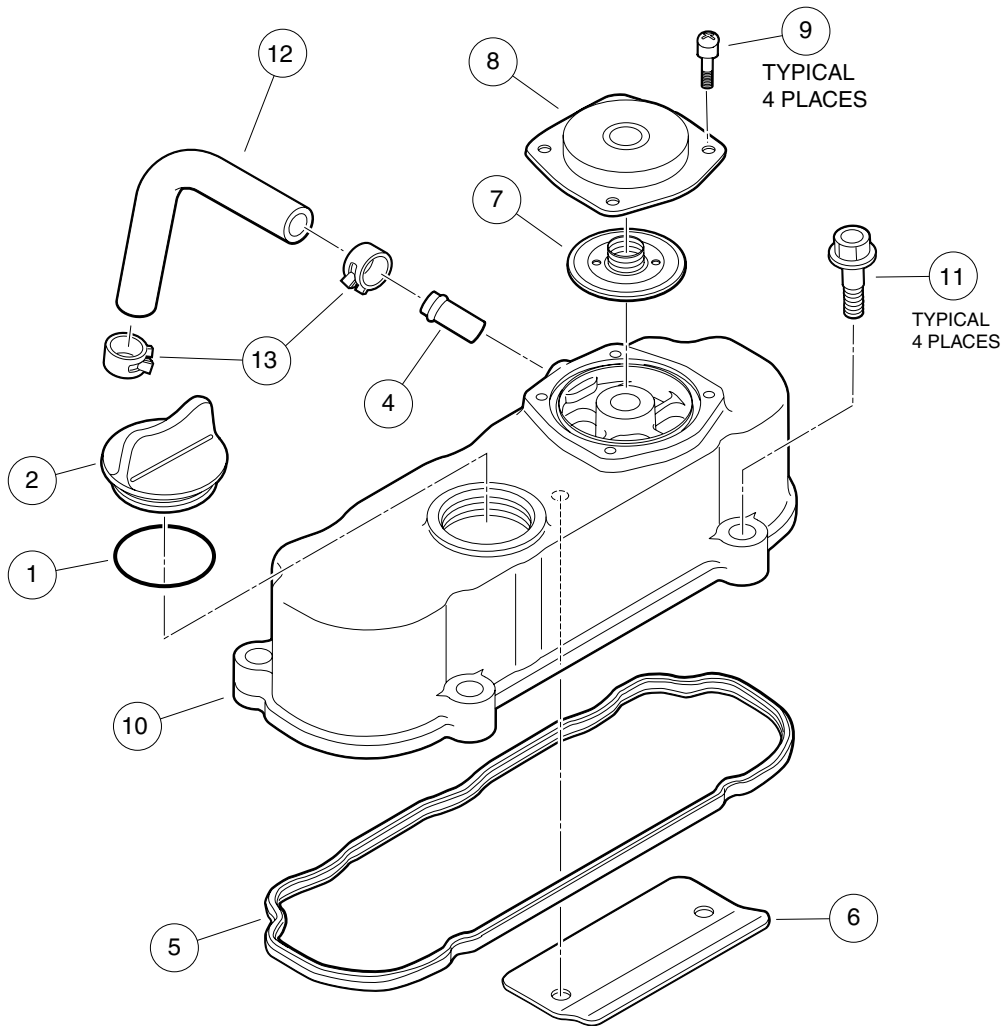
8

D

8

# DIESEL ENGINE

D



000181-001

# HEAD COVER

ITEM	PART NO.	DESCRIPTION	QTY
		<b>1 2 3 4</b>	
1	603 00 14-06	O Ring, 30 X 36 .....	1
2	603 00 14-07	Plug, Oil Filler .....	1
3	603 00 18-13	Assembly, Cylinder Head Cover (includes items 4 through 10) .....	1
4	603 00 18-28	Pipe, Water Return, D722 .....	1
5	603 00 18-23	Gasket, Cylinder Head Cover .....	1
6	603 00 18-24	Shield, Breather .....	1
7	603 00 18-25	Valve, Breather .....	1
8	603 00 18-26	Cover, Breather .....	1
9	603 00 18-27	Screw, Breather .....	4
10	N/A	Cover, Cylinder Head .....	1
11	603 00 18-29	Bolt, Cylinder Head Cover .....	4
12	603 00 18-30	Tube, Breather .....	1
13	603 00 18-31	Clamp, Breather Tube .....	2

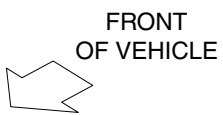
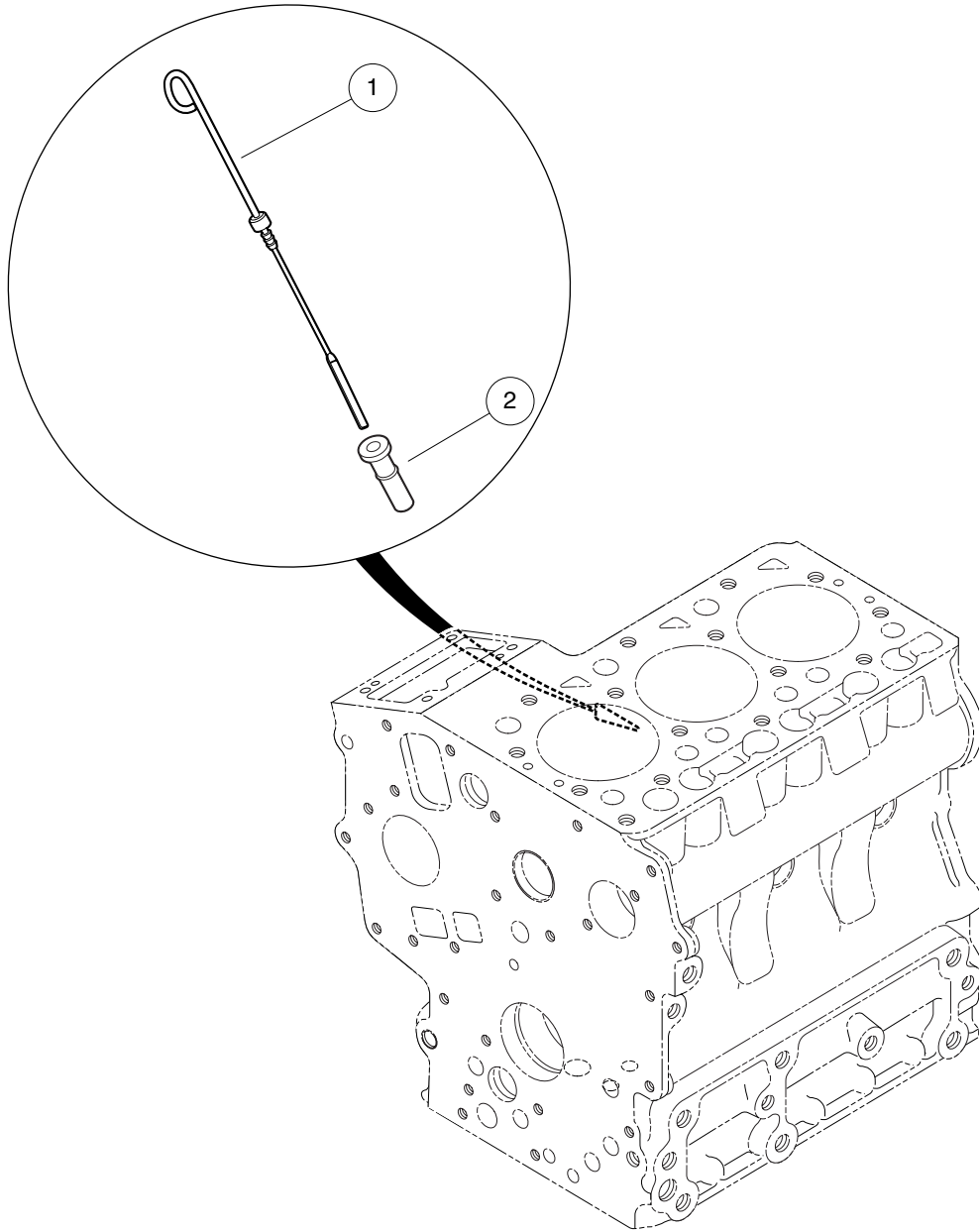
**8**

**D**

8

# DIESEL ENGINE

D



000044-002

# DIPSTICK AND GUIDE

ITEM	PART NO.	DESCRIPTION	QTY
		1 2 3 4	
1	603 00 12-50	Gauge, Oil .....	1
2	603 00 17-15	Guide, Oil Gauge .....	1

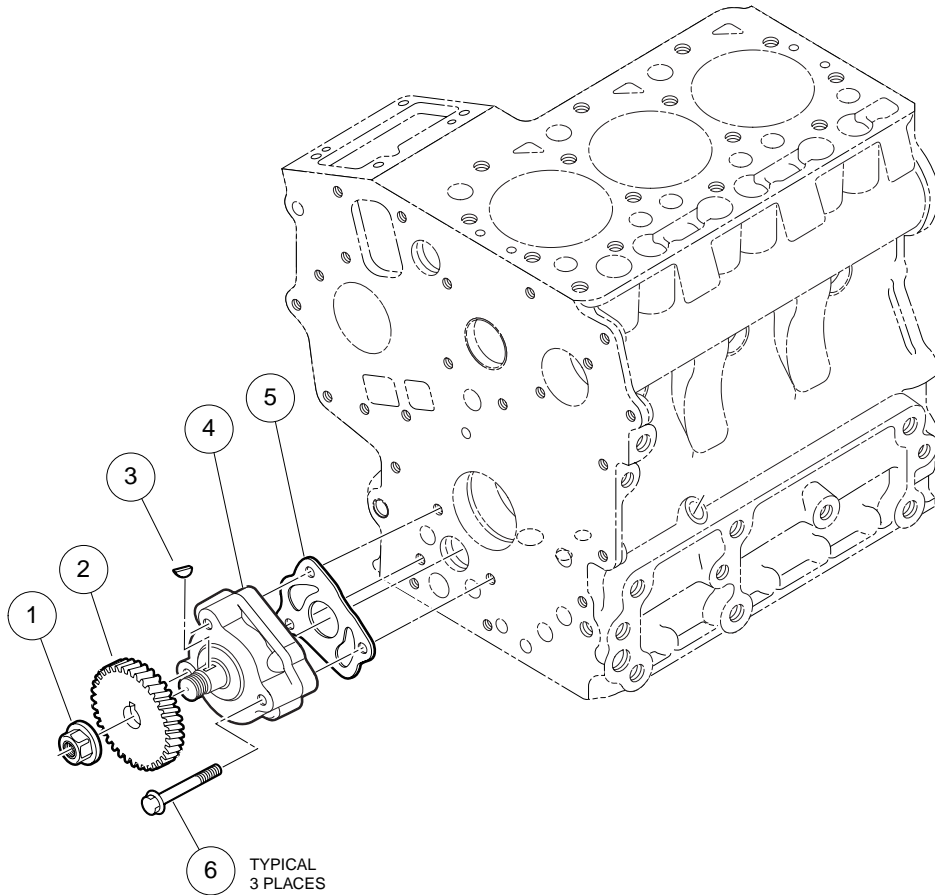
**8**

**D**

8

# DIESEL ENGINE

D



000045-001



# OIL PUMP

ITEM	PART NO.	DESCRIPTION	QTY
		<b>1 2 3 4</b>	
1	603 00 12-45	Nut, Flange, D722 Oil Pump .....	1
2	603 00 12-46	Gear, Oil Pump Drive .....	1
3	603 00 12-47	Key, Feather, 8x4 .....	1
4	603 00 12-48	Assy, Pump, Oil .....	1
5	603 00 12-49	Gasket, Oil Pump .....	1
6	603 00 17-17	Bolt, Oil Pump .....	3

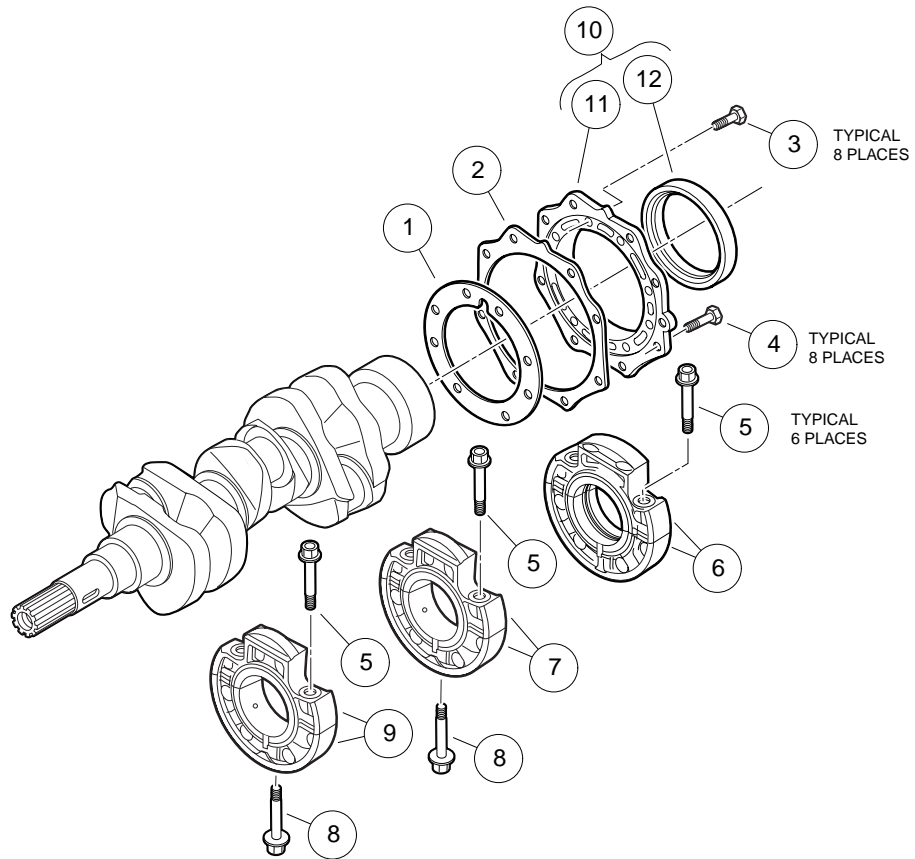
**8**

**D**

8

# DIESEL ENGINE

D



FRONT  
OF VEHICLE  
↙

000046-001

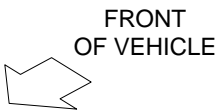
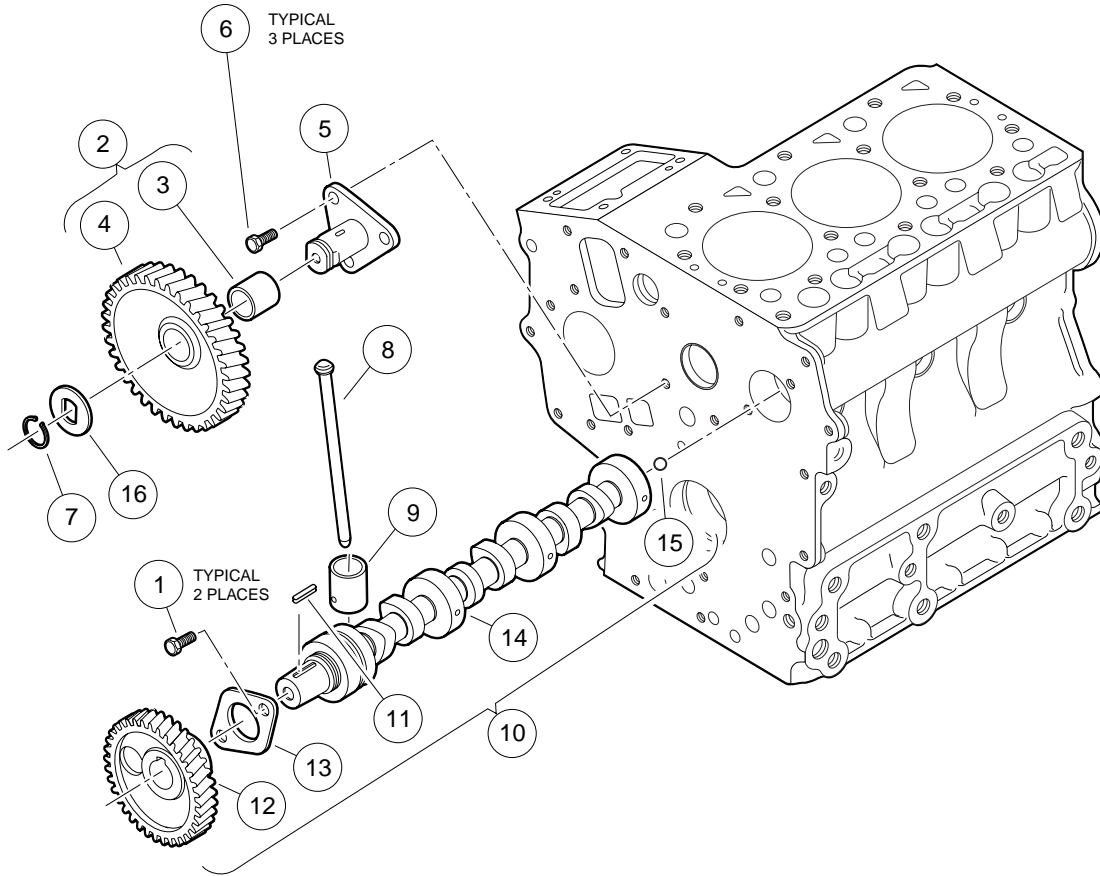
# MAIN BEARING CASE

ITEM	PART NO.	DESCRIPTION	QTY
		1 2 3 4	
1	603 00 12-62	Gasket, Bearing Case .....	1
2	603 00 12-63	Gasket, Cover .....	1
3	603 00 12-66	Bolt, M6 X 1 X 20 .....	8
4	603 00 12-67	Bolt, M6 X 1 X 22 .....	8
5	603 00 12-74	Bolt, Bearing Case, Top .....	6
6	603 00 12-78	Assy Case, Main Brg, First .....	1
7	603 00 12-79	Assy Case, Main Brg, Sec .....	1
8	603 00 12-80	Bolt, Bearing Case, Bottom .....	2
9	603 00 12-81	Assy Case, Main Brg, Third .....	1
10	603 00 17-18	Assy, Cover, Bearing Case (includes items 11 and 12) .....	1
11	603 00 12-64	Cover, Bearing Case .....	1
12	603 00 12-65	Seal, Oil .....	1

**8**

**D**

DIESEL ENGINE



000047-002

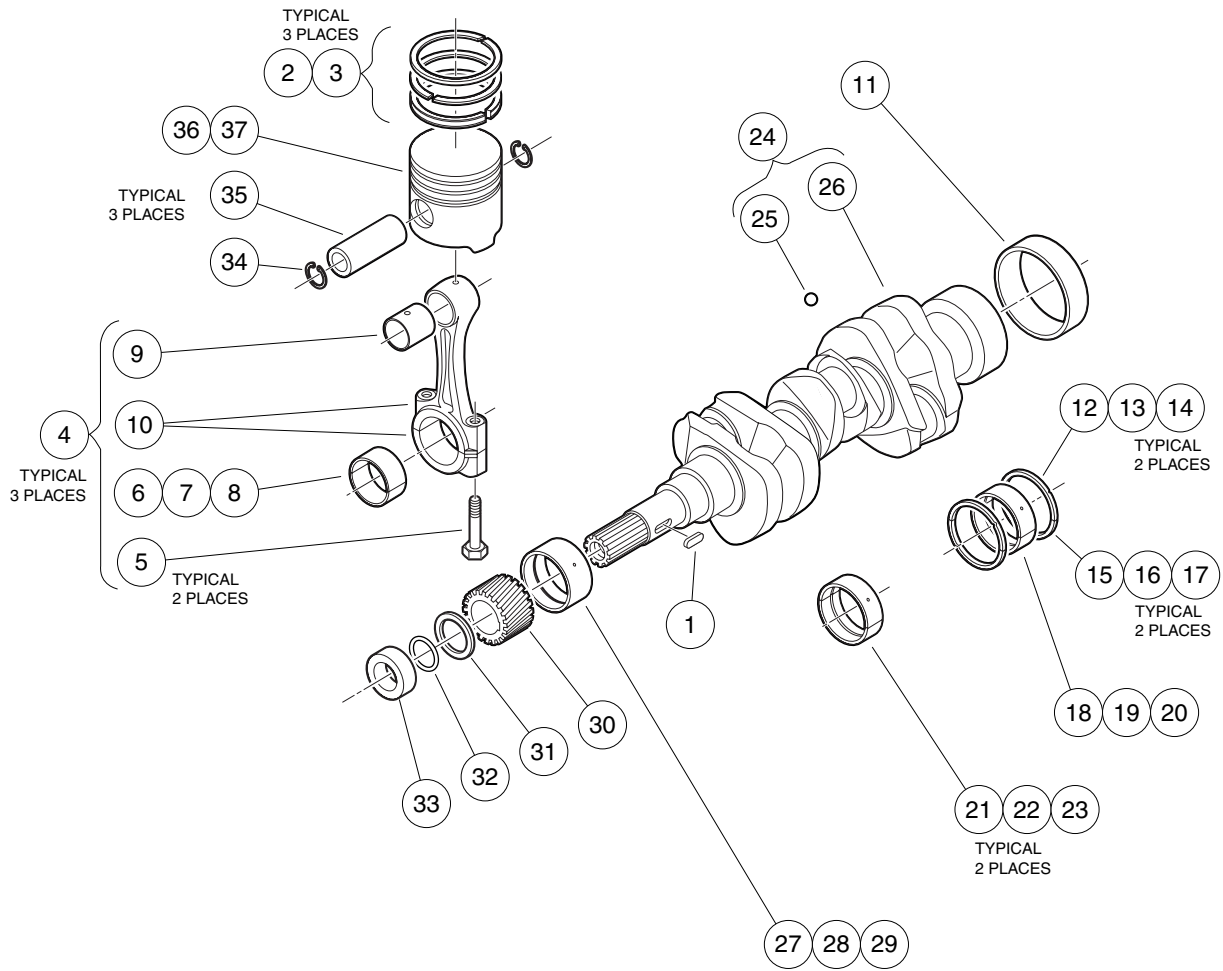
# CAMSHAFT AND IDLE GEAR

ITEM	PART NO.	DESCRIPTION	QTY
		1 2 3 4	
1	603 00 12-28	Bolt, D722, Cam End .....	2
2	603 00 12-34	Gear, Idle (includes items 3 and 4) .....	1
3	N/A	Bushing, D722 Idle Gear .....	1
4	N/A	Gear, Idle .....	1
5	603 00 12-35	Shaft, Idle Gear .....	1
6	603 00 12-36	Bolt, M6 X 1 X 14 .....	3
7	603 00 12-37	Ring, Snap .....	1
8	603 00 12-38	Push Rod .....	6
9	603 00 12-39	Tappet .....	6
10	603 00 12-42	Assy Camshaft, Long (includes items 11 through 15) .....	1
11	603 00 12-40	Key, Feather, Long Camshaft .....	1
12	603 00 12-43	Gear, Cam .....	1
13	603 00 12-44	Stopper, Camshaft .....	1
14	N/A	Camshaft .....	1
15	603 00 18-14	Ball, Check .....	1
16	603 00 14-57	Collar, Idle Gear .....	1

**8**

**D**

# DIESEL ENGINE



000048-002

# PISTON AND CRANKSHAFT

ITEM	PART NO.	DESCRIPTION	QTY
		1 2 3 4	
1	603 00 12-30	Key, Feather, Short Camshaft .....	1
2	603 00 12-56	Assy Piston Ring, D722 Std .....	3
3	603 00 12-57	Assy Piston Ring, D722 +.025 .....	3
4	603 00 12-58	Assy, Connecting Rod (includes items 5 through 10) .....	3
5	603 00 12-59	Bolt, Connecting Rod .....	6
6	603 00 13-36	Metal, Crank, Rod, D722, Std .....	3
7	603 00 13-37	Metal, Crank, Rod, D722, .020 .....	3
8	603 00 13-38	Metal, Crank, Rod, D722, .040 .....	3
9	603 00 17-58	Bushing, Piston Pin, D722 .....	3
10	N/A	Rod, Connecting .....	1
11	603 00 12-61	Sleeve, Crankshaft .....	1
12	603 00 12-68	Metal,crank, O Side, Std .....	2
13	603 00 12-69	Metal,crank, O Side, +.020 .....	2
14	603 00 12-70	Metal,crank, O Side, +.040 .....	2
15	603 00 12-71	Metal,crank, I Side, Std .....	2
16	603 00 12-72	Metal,crank, I Side, +.020 .....	2
17	603 00 12-73	Metal,crank, I Side, +.040 .....	2
18	603 00 12-75	Metal, Crank, Main, Rear Std .....	1
19	603 00 12-76	Metal, Crank, Main, Rear -.020 .....	1
20	603 00 12-77	Metal, Crank, Main, Rear -.040 .....	1
21	603 00 12-82	Metal, Crank, Main, Mid Std .....	4
22	603 00 12-83	Metal, Crank, Main, Mid +.020 .....	2
23	603 00 12-84	Metal, Crank, Main, Mid +.040 .....	2
24	603 00 12-85	Crankshaft (includes items 25 and 26) .....	1
25	603 00 12-60	Ball, Crankshaft .....	3
26	N/A	Crankshaft .....	1
27	603 00 13-28	Metal, Crank, D722, Frnt, Std .....	1
28	603 00 13-29	Metal, Crank, 722, Frnt, -.020 .....	1
29	603 00 13-30	Metal, Crank, 722, Frnt, -.040 .....	1
30	603 00 13-31	Gear, Crank .....	1
31	603 00 13-32	Slinger, Oil .....	1
32	603 00 13-33	O Ring, 23 X 26 .....	1
33	603 00 13-34	Collar, Crankshaft .....	1
34	603 00 13-39	Circlip, Piston Pin .....	6
35	603 00 13-40	Pin, Piston .....	3
36	603 00 17-19	Piston, D722, Std .....	3
37	603 00 17-20	Piston, D722, +0.25 .....	3

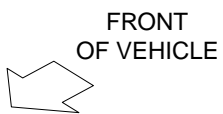
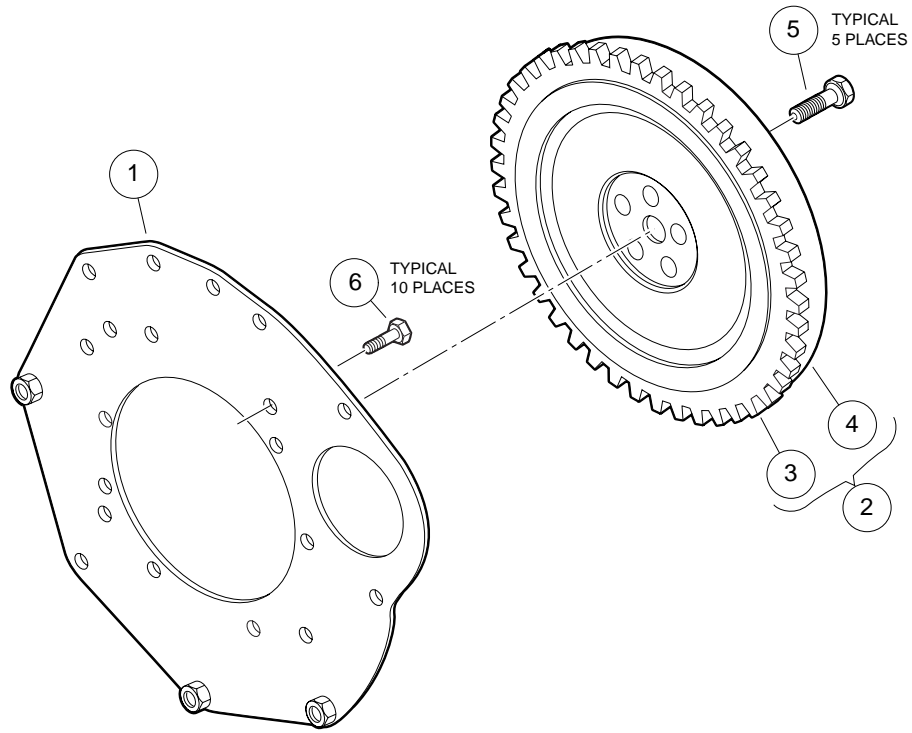
8

D

8

# DIESEL ENGINE

D



000049-001



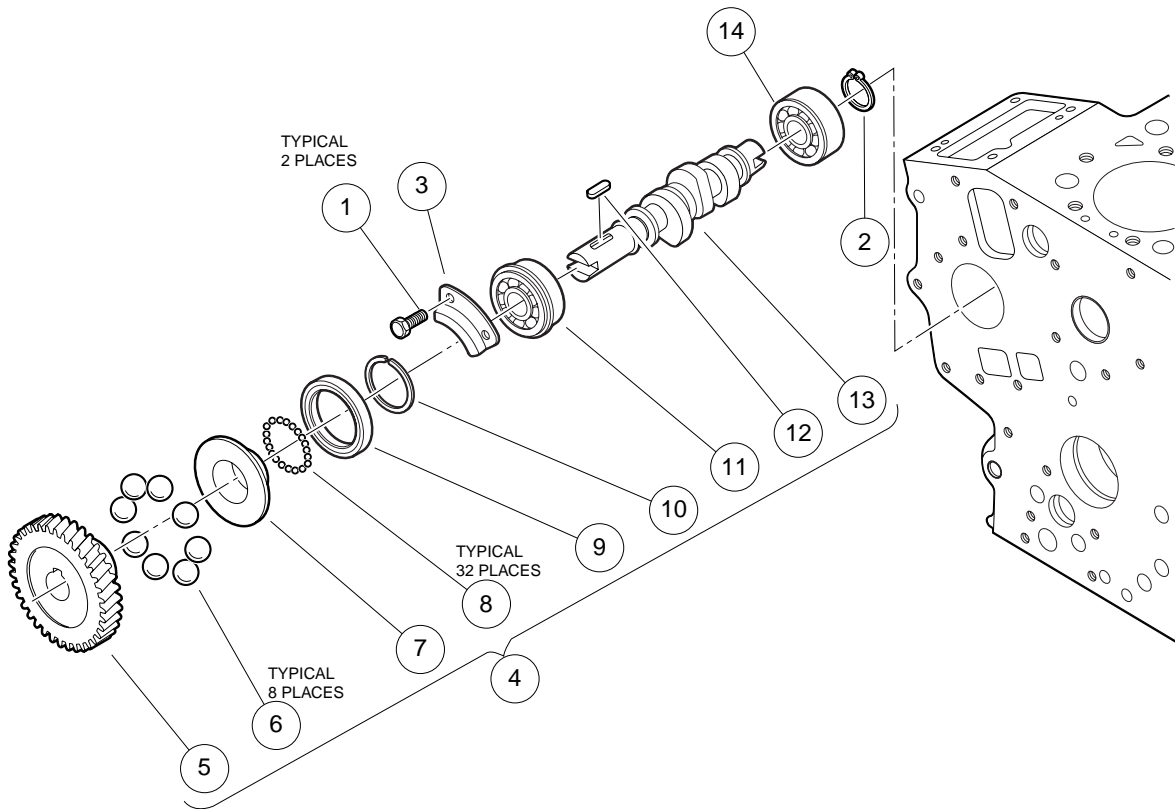
# FLYWHEEL

ITEM	PART NO.	DESCRIPTION	QTY
		<b>1 2 3 4</b>	
1	603 00 14-27	Plate, Rear End .....	1
2	603 00 14-29	Flywheel (includes items 3 and 4) .....	1
3	603 00 14-30	Gear, Ring, D722 .....	1
4	N/A	Flywheel .....	1
5	603 00 14-31	Bolt, Flange Head, M10 X 1.5 X 25 .....	5
6	603 00 17-22	Bolt, End Plate .....	10

**8**

**D**

# DIESEL ENGINE



FRONT  
OF VEHICLE

000050-001

# SHAFT

**8**

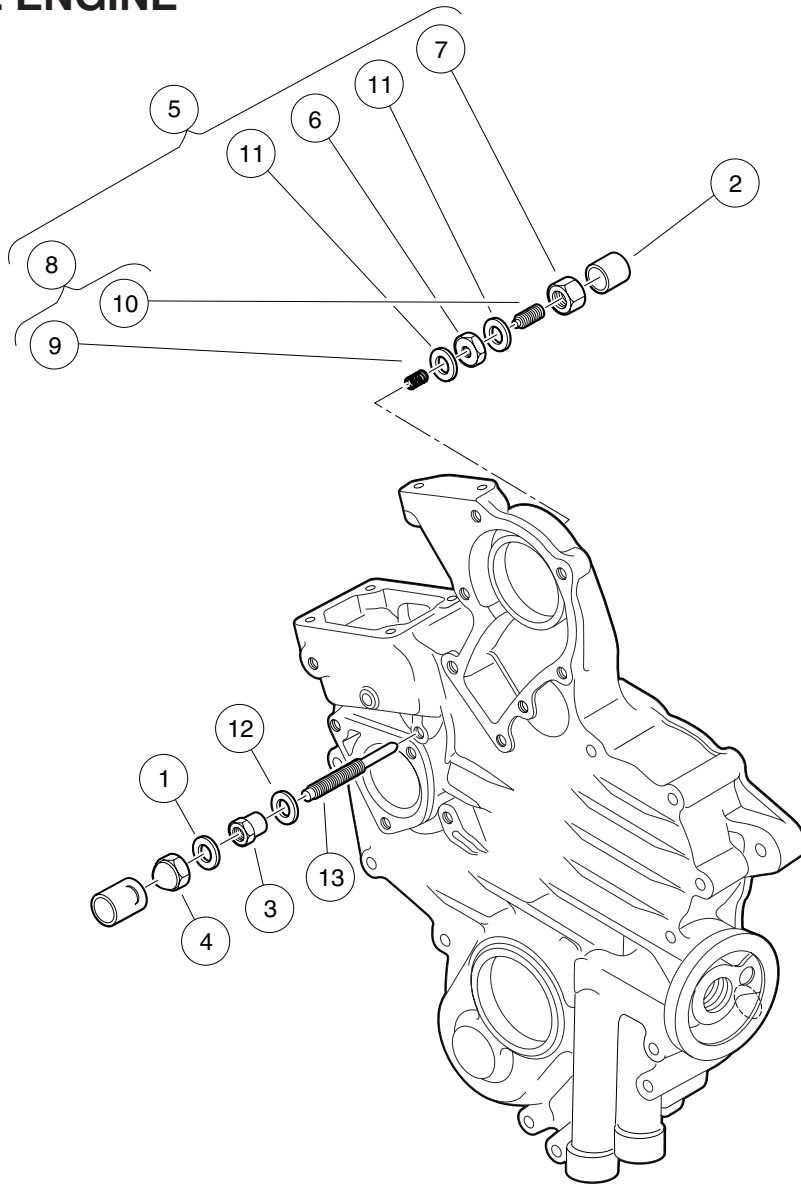
ITEM	PART NO.	DESCRIPTION	QTY
		<b>1 2 3 4</b>	
1	603 00 12-28	Bolt, D722, Cam End .....	2
2	603 00 12-32	Circlip, External .....	1
3	603 00 12-33	Stopper, Fuel, C/shaft .....	1
4	603 00 17-23	Assy, Fuel Camshaft (includes items 5 through 13) .....	1
5	603 00 12-22	Gear, Injection Pump .....	1
6	603 00 12-23	Ball, Injection Pump .....	8
7	603 00 12-24	Sleeve, Governor .....	1
8	603 00 12-25	Ball, Governor .....	32
9	603 00 12-26	Case, Governor Ball .....	1
10	603 00 12-27	Circlip .....	1
11	603 00 12-29	Bearing, Ball .....	1
12	603 00 12-30	Key, Feather, Short Camshaft .....	1
13	603 00 12-31	Camshaft, Fuel, Short .....	1
14	603 00 17-24	Bearing, Ball .....	1

**D**

**8**

# DIESEL ENGINE

**D**



FRONT  
OF VEHICLE  
↙

000051-002

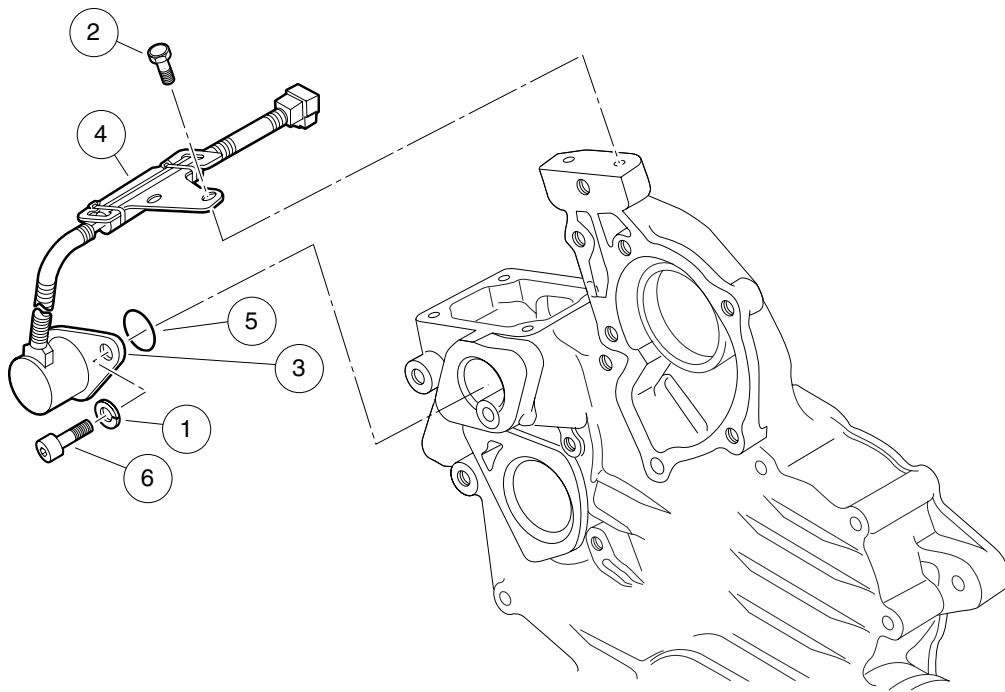
# IDLE APPARATUS

ITEM	PART NO.	DESCRIPTION	QTY
		1 2 3 4	
1	603 00 13-69	Gasket, 6 X 10 .....	1
2	603 00 13-71	Cap, Bolt Assy .....	1
3	603 00 13-81	Nut, Lock, Special .....	1
4	603 00 13-82	Nut, Special .....	1
5	603 00 17-25	Assy, Idle Apparatus (includes items 6 through 11) .....	1
6	603 00 13-70	Nut, M8, D722 Idle App, Specl .....	1
7	603 00 13-72	Nut, M8, D722 Idle App .....	1
8	603 00 17-26	Assy, Bolt, Adjusting (includes items 9 and 10) .....	1
9	N/A	Spring, Idle Apparatus .....	1
10	N/A	Stud, Idle Adjustment .....	1
11	603 00 28-00	Gasket, Idle Apparatus, Rear .....	2
12	603 00 17-28	Gasket, Idle Apparatus, Front .....	1
13	603 00 28-01	Bolt, Idle Adjusting .....	1

**8**

**D**

## DIESEL ENGINE



000182-001

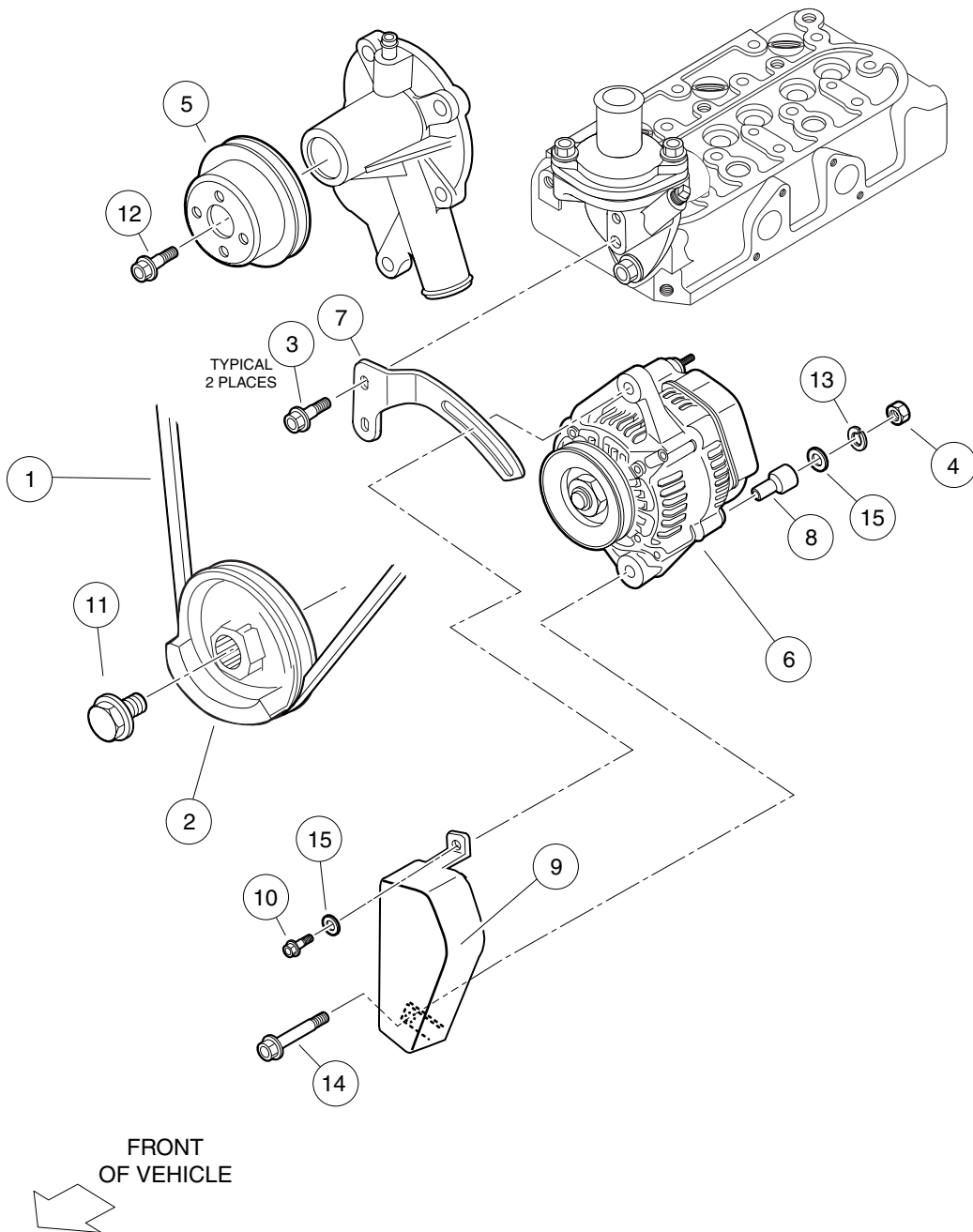
# STOP SOLENOID

ITEM	PART NO.	DESCRIPTION	QTY
		<b>1 2 3 4</b>	
1	603 00 18-18	Washer, Spring, M6, D722 .....	2
2	603 00 17-30	Bolt, Solenoid, Stop, D722 .....	2
3	603 00 17-29	Solenoid, Stop .....	1
4	603 00 18-15	Stay, Stop Solenoid .....	1
5	603 00 18-16	O-Ring, Stop Solenoid .....	1
6	603 00 18-17	Bolt, Stop Solenoid .....	2

**8**

**D**

## DIESEL ENGINE



000057-002



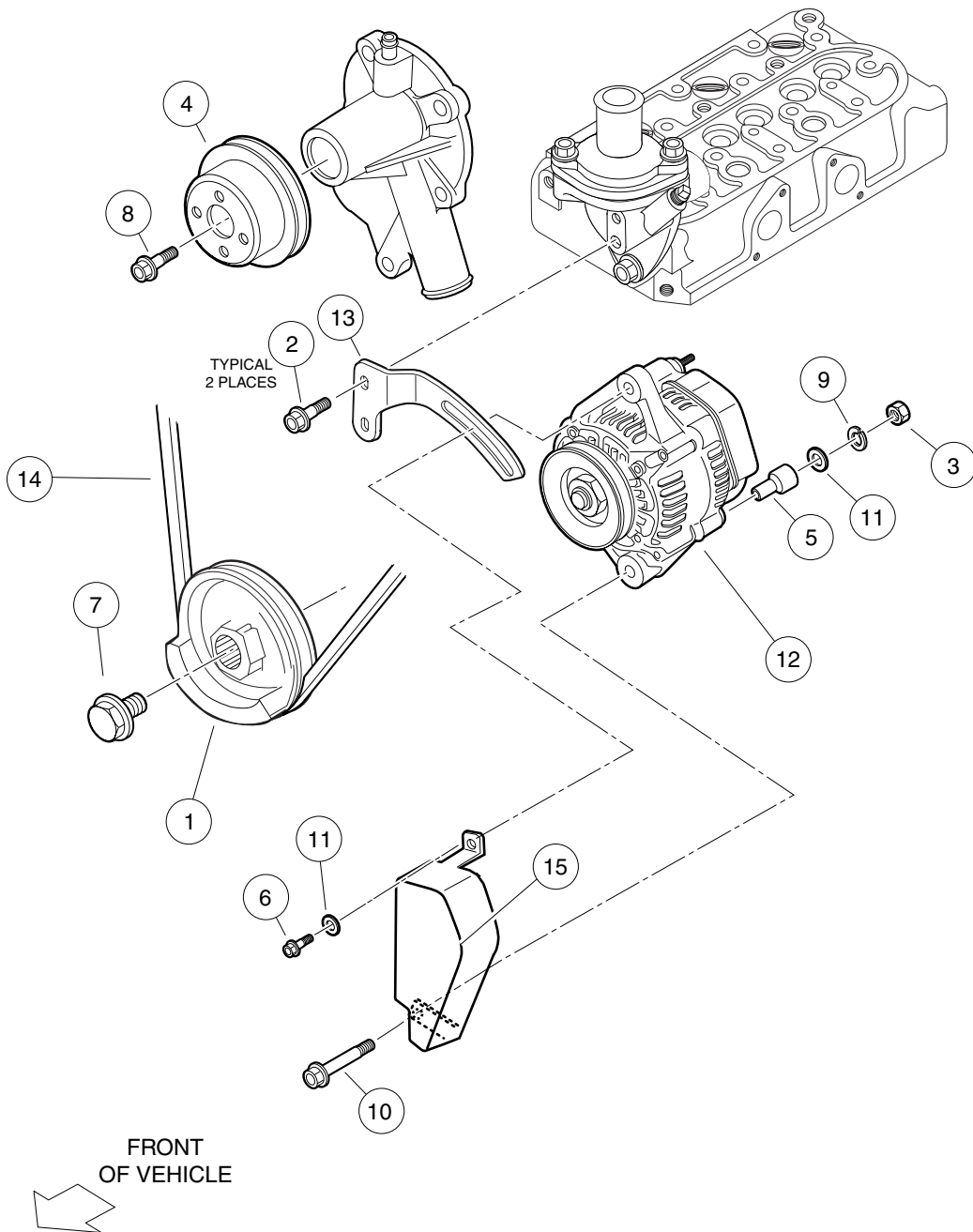
# 40-AMP ALTERNATOR

ITEM	PART NO.	DESCRIPTION	QTY
		1 2 3 4	
1	603 00 12-08	V-Belt .....	1
2	603 00 13-35	Pulley, Fan Drive .....	1
3	603 00 13-43	Bolt, M6 X 1 X 20 .....	2
4	603 00 18-20	Nut, M8, Plate .....	1
5	603 00 16-63	Pulley, Water Pump .....	1
6	603 00 17-38	Alternator, 40-Amp .....	1
7	603 00 17-39	Stay, Alternator Assy, D722 .....	1
8	603 00 17-40	Collar, Alternator Assy, D722 .....	1
9	603 00 17-41	Cover, Alternator Assy, D722 .....	1
10	603 00 17-42	Bolt, Alt, D722, Adjuster .....	1
11	603 00 17-44	Bolt, Alt, D722, Drive Pulley .....	1
12	603 00 17-51	Bolt, D722, Drive Pulley .....	4
13	603 00 18-19	Washer, Spring, D722, Starter .....	1
14	603 00 17-43	Bolt, Alternator, Lower .....	1
15	603 00 18-21	Washer, Alternator, Upper .....	2

**8**

**D**

## DIESEL ENGINE



000057-003

# 60-AMP ALTERNATOR

ITEM	PART NO.	DESCRIPTION	QTY
		1 2 3 4	
1	603 00 13-35	Pulley, Fan Drive .....	1
2	603 00 13-43	Bolt, M6 X 1 X 20 .....	2
3	603 00 18-20	Nut, M8, Plate .....	1
4	603 00 16-63	Pulley, Water Pump .....	1
5	603 00 17-40	Collar, Alternator Assy, D722 .....	1
6	603 00 17-42	Bolt, Alt, D722, Adjuster .....	1
7	603 00 17-44	Bolt, Alt, D722, Drive Pulley .....	1
8	603 00 17-51	Bolt, D722, Drive Pulley .....	4
9	603 00 18-19	Washer, Spring, D722, Starter .....	1
10	603 00 17-43	Bolt, Alternator, Lower .....	1
11	603 00 18-21	Washer, Alternator, Upper .....	2
12	603 00 44-77	Alternator, 60 Amp .....	1
13	603 00 44-78	Brkt, Alt, D722, 60 Amp .....	1
14	603 00 44-79	Belt, Acc Drive, D722, 60 Amp .....	1
15	603 00 44-80	Guard, Acc Belt .....	1

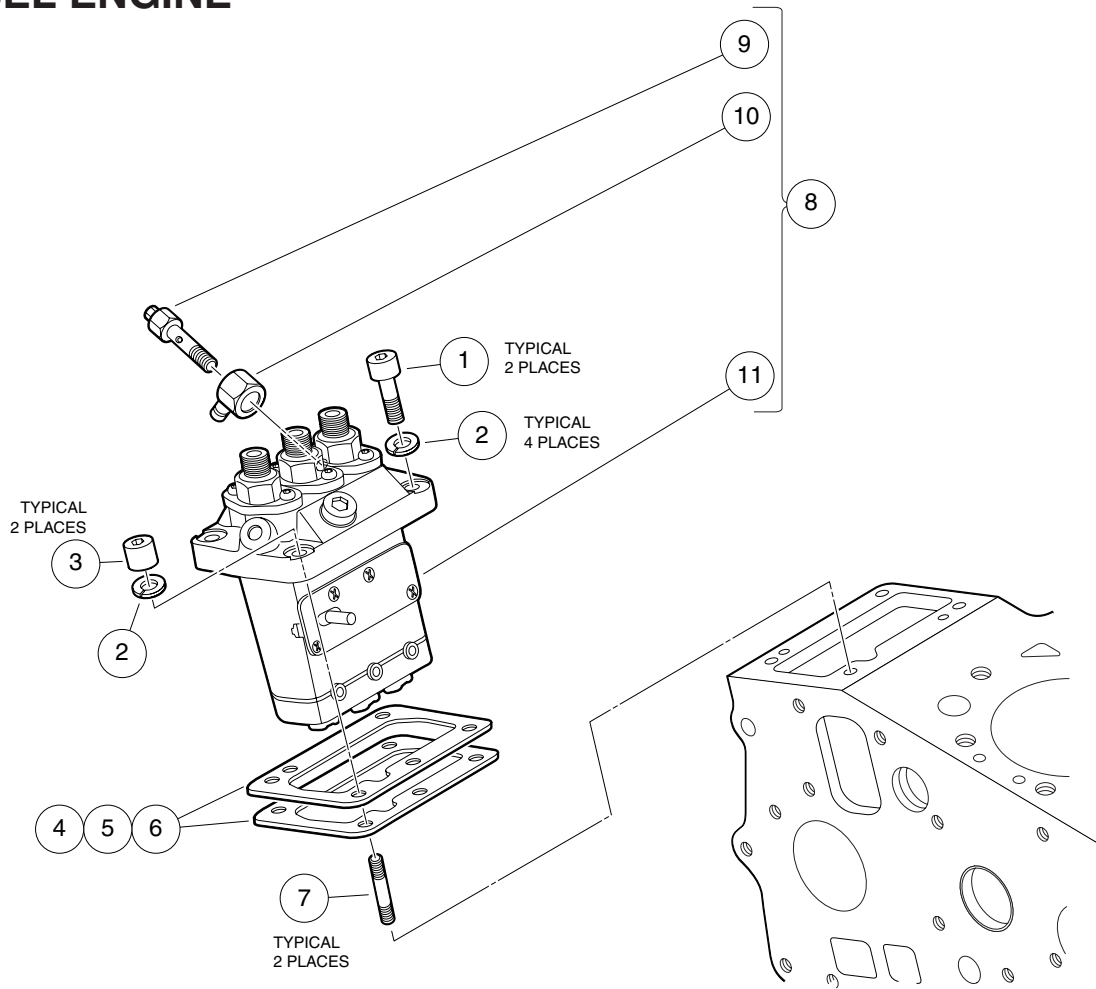
**8**

**D**

8

# DIESEL ENGINE

D



FRONT  
OF VEHICLE

000053-002

# INJECTION PUMP

ITEM	PART NO.	DESCRIPTION	QTY
		1 2 3 4	
1	603 00 13-85	Bolt, Hex-Head, M5 X 0.75 X .....	2
2	603 00 18-18	Washer, Spring, M6, D722 .....	4
3	603 00 13-87	Nut, Special .....	2
4	603 00 13-88	Shim, Injection Pump, 0.20 mm .....	A/R
5	603 00 13-89	Shim, Injection Pump, 0.25 mm .....	A/R
6	603 00 13-90	Shim, Injection Pump, 0.30 mm .....	A/R
7	603 00 13-91	Stud, M5 X 25 .....	2
8	603 00 13-83	Assembly, Fuel Injection Pump (includes items 9 through 11) .....	1
9	N/A	Screw, Hollow, D722, Inj Pump .....	1
10	603 00 13-84	Joint, Eye .....	1
11	N/A	Pump, Injection .....	1

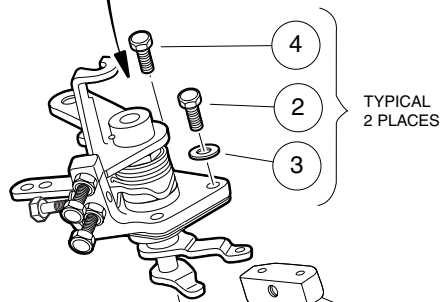
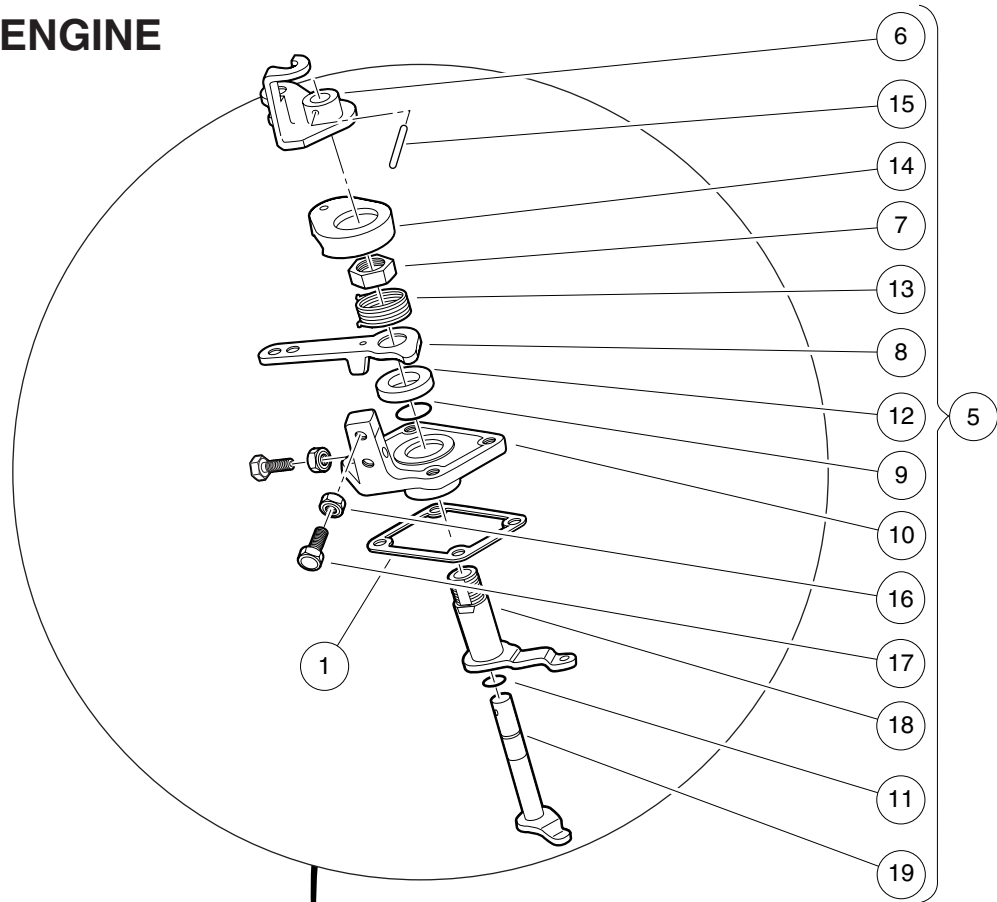
**8**

**D**

8

# DIESEL ENGINE

D



FRONT  
OF VEHICLE

000054-002

# SPEED CONTROL PLATE

ITEM	PART NO.	DESCRIPTION	QTY
		1 2 3 4	
1	603 00 13-63	Gasket, Control Plate .....	1
2	603 00 13-68	Bolt, M6 X 1 X 30 .....	2
3	603 00 13-69	Gasket, 6 X 10 .....	2
4	603 00 14-56	Bolt, D722 Intake Manfld Lower .....	2
5	603 00 16-64	Assembly, Speed Plate (includes items 6 through 19) .....	1
6	603 00 13-55	Lever, Engine Stop .....	1
7	603 00 13-56	Nut, Speed Control .....	1
8	603 00 13-57	Lever, Speed Control .....	1
9	603 00 13-58	O Ring, 19 X 16 .....	1
10	603 00 13-59	Plate, Speed Control .....	1
11	603 00 13-62	O Ring, 9 X 7 .....	1
12	603 00 13-64	Collar, Lever .....	1
13	603 00 13-65	Spring, Return .....	1
14	603 00 17-32	Cap, Speed Cntrl Plate Rtrn .....	1
15	603 00 17-33	Pin, Spring, Speed Plate .....	1
16	N/A	Nut, Speed Control .....	2
17	N/A	Bolt, Speed Control .....	2
18	603 00 13-60	Lever, Governor .....	1
19	603 00 13-61	Shaft, Governor Lever .....	1

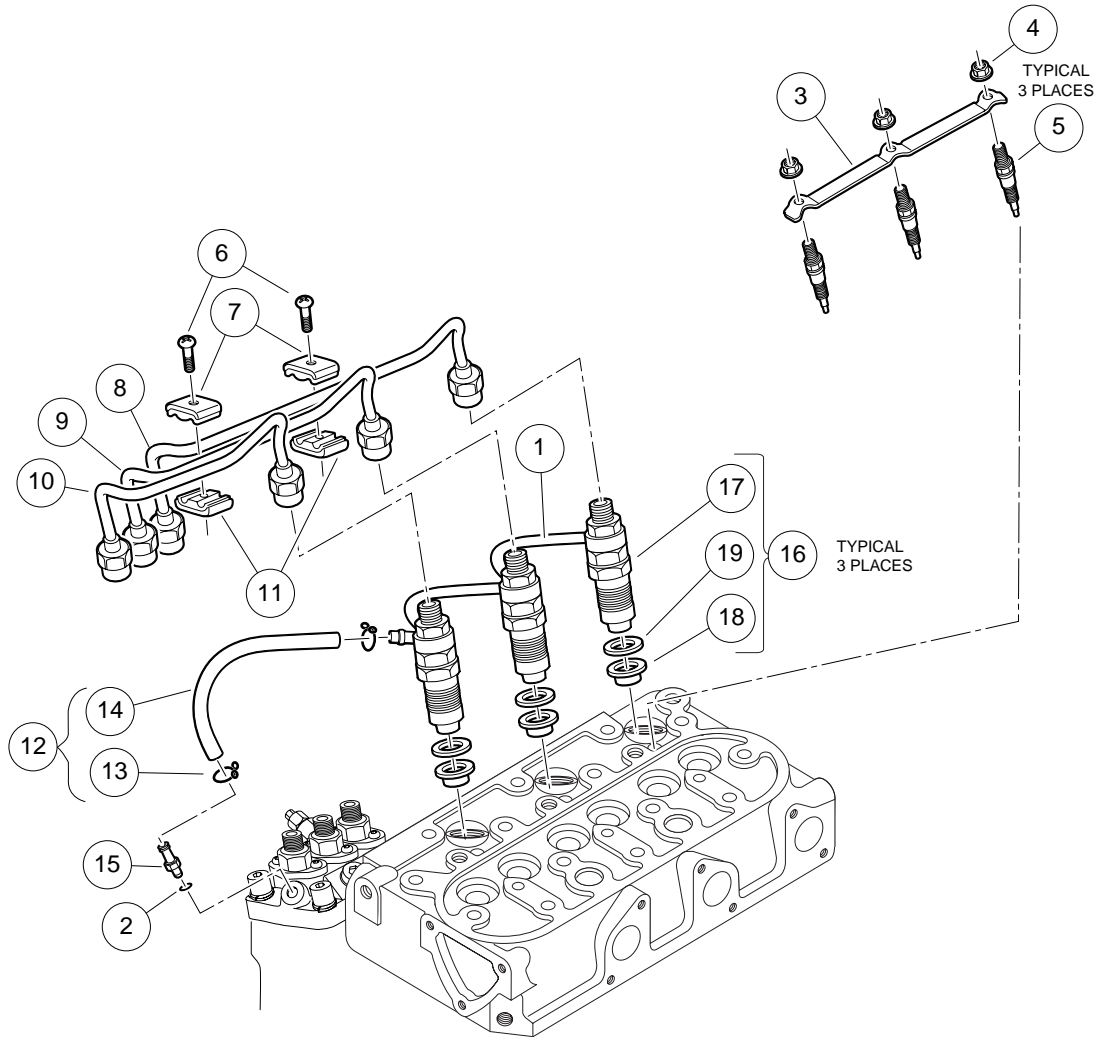
**8**

**D**

8

# DIESEL ENGINE

D



FRONT  
OF VEHICLE

000055-001



# NOZZLE HOLDERS AND GLOW PLUGS

ITEM	PART NO.	DESCRIPTION	QTY
		1 2 3 4	
1	603 00 12-41	Assy Pipe, D722 Fuel Over Flow .....	1
2	603 00 13-69	Gasket, 6 X 10 .....	1
3	603 00 13-93	Cord, Glow Plug .....	1
4	603 00 13-94	Nut, Flange,m4 .....	3
5	603 00 13-95	Glow Plug .....	3
6	603 00 13-97	Screw, Washer .....	2
7	603 00 13-98	Clamp, Pipe, Top .....	2
8	603 00 13-99	Pipe, Injection, Left .....	1
9	603 00 14-00	Pipe, Injection, Right .....	1
10	603 00 14-01	Pipe, Injection, Middle .....	1
11	603 00 14-02	Clamp, Pipe, Bottom .....	2
12	603 00 14-03	Assy Pipe, Over Flow (includes items 13 and 14) .....	1
13	603 00 17-34	Clip, Pipe, Return .....	2
14	N/A	Hose, Overflow .....	1
15	603 00 14-05	Screw, Air Bleeder .....	1
16	603 00 17-35	Kit, Holder, Nozzle (includes items 17 through 19) .....	3
17	603 00 13-92	Assembly, Nozzle Holder .....	3
18	603 00 13-96	Seal, Heat .....	3
19	603 00 14-04	Gasket, Nozzle .....	3

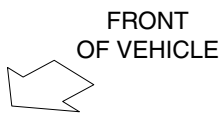
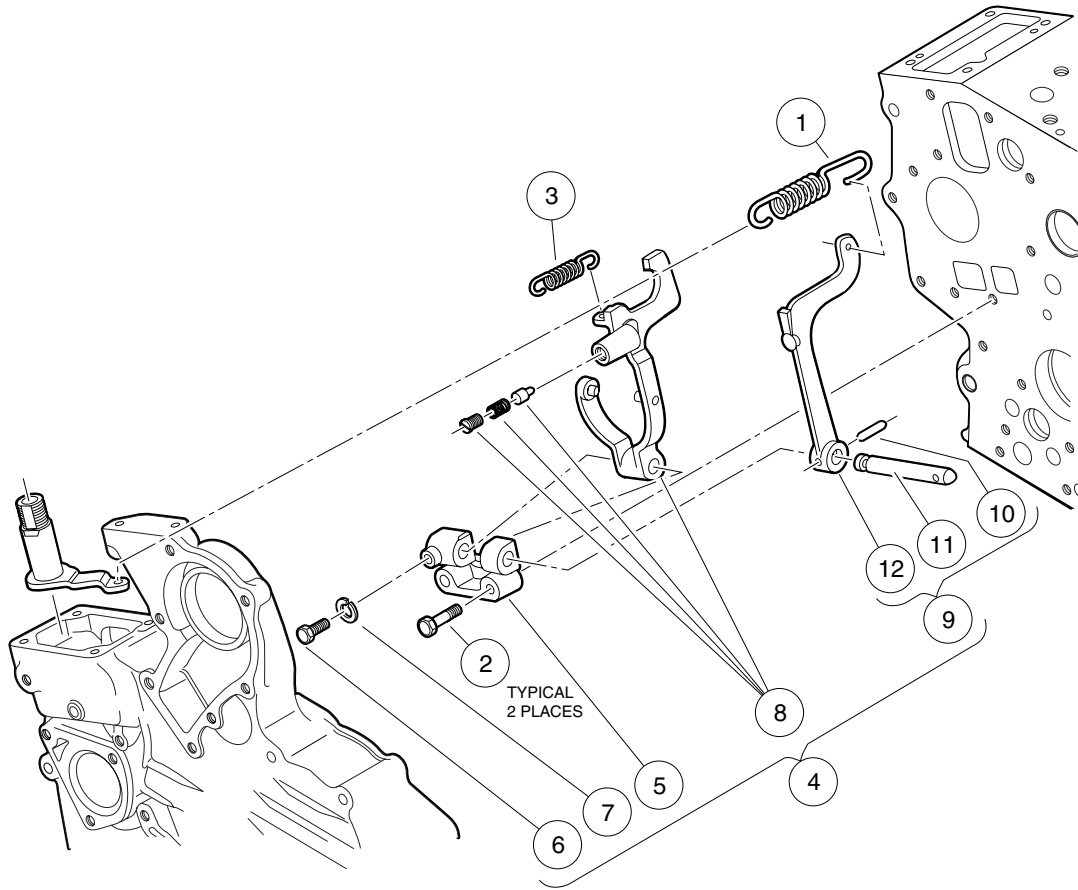
8

D

8

# DIESEL ENGINE

D



000056-002

# GOVERNOR COMPONENTS

ITEM	PART NO.	DESCRIPTION	QTY
		1 2 3 4	
1	603 00 13-67	Spring, Governor .....	1
2	603 00 13-76	Bolt, M5 X 0.75 X 25 .....	2
3	603 00 13-66	Spring, Start .....	1
4	603 00 17-36	Assembly, Governor Fork (includes items 5 through 9) .....	1
5	603 00 13-75	Holder, Fork Lever .....	1
6	603 00 13-77	Bolt, M5 X 0.75 X 11 .....	1
7	603 00 13-78	Washer, Spring, M5 .....	1
8	N/A	Lever, Fork, Middle, D722 CB .....	1
9	N/A	Assembly, Governor Fork Level, Lower, D722 CB (includes items 10 through 12) .....	1
10	603 00 13-54	Pin, Spring .....	1
11	603 00 13-79	Shaft, Fork Lever .....	1
12	N/A	Lever, Fork, End, D722 CB .....	1

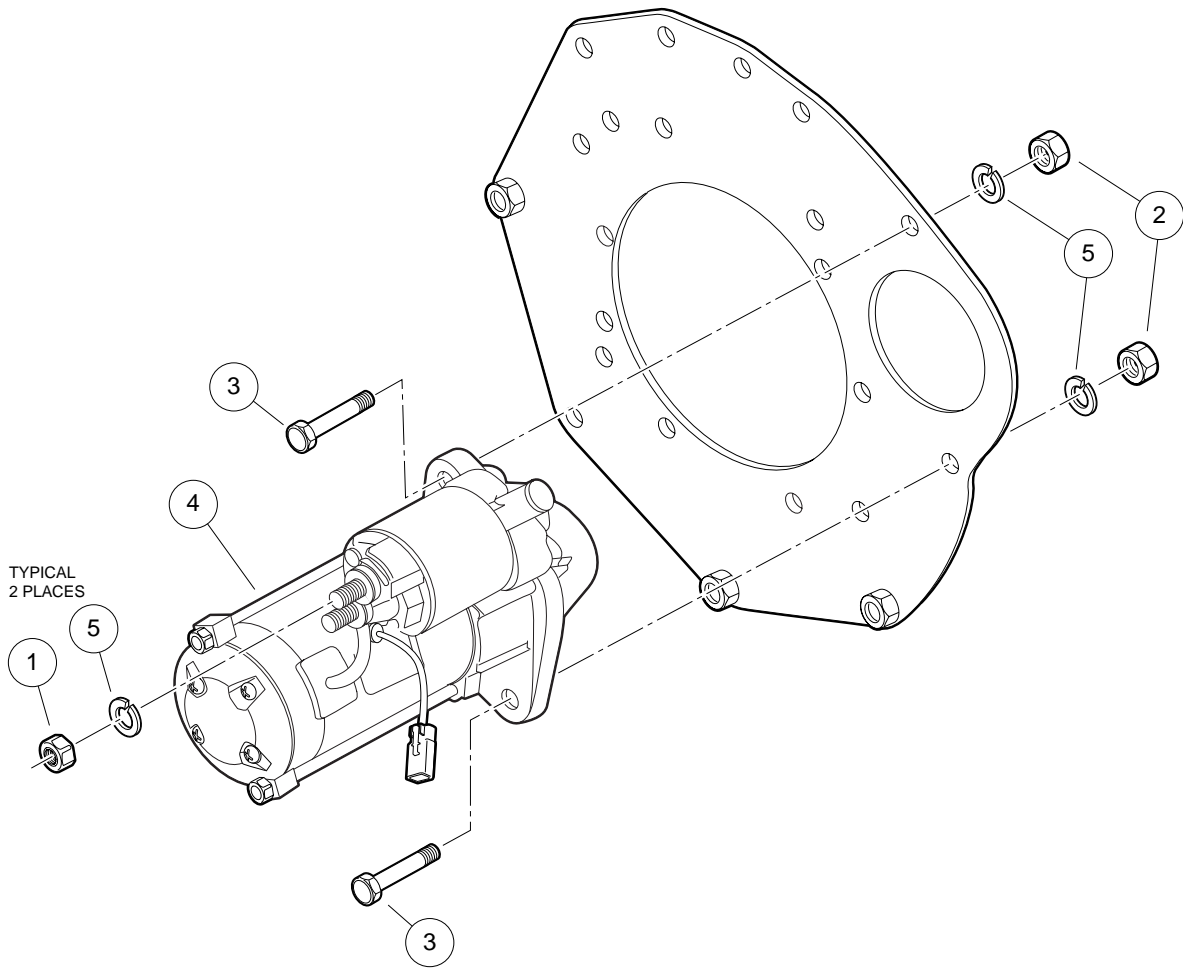
**8**

**D**

8

# DIESEL ENGINE

D



FRONT  
OF VEHICLE  
↙

000058-001

# STARTER

ITEM	PART NO.	DESCRIPTION	QTY
		<b>1 2 3 4</b>	
1	603 00 14-17	Nut, D722, Starter .....	2
2	603 00 18-20	Nut, M8, Plate .....	2
3	603 00 14-32	Bolt, M8 X 1.25 X 28 .....	2
4	603 00 14-33	Motor, Starter .....	1
5	603 00 18-19	Washer, Spring, D722, Starter .....	4

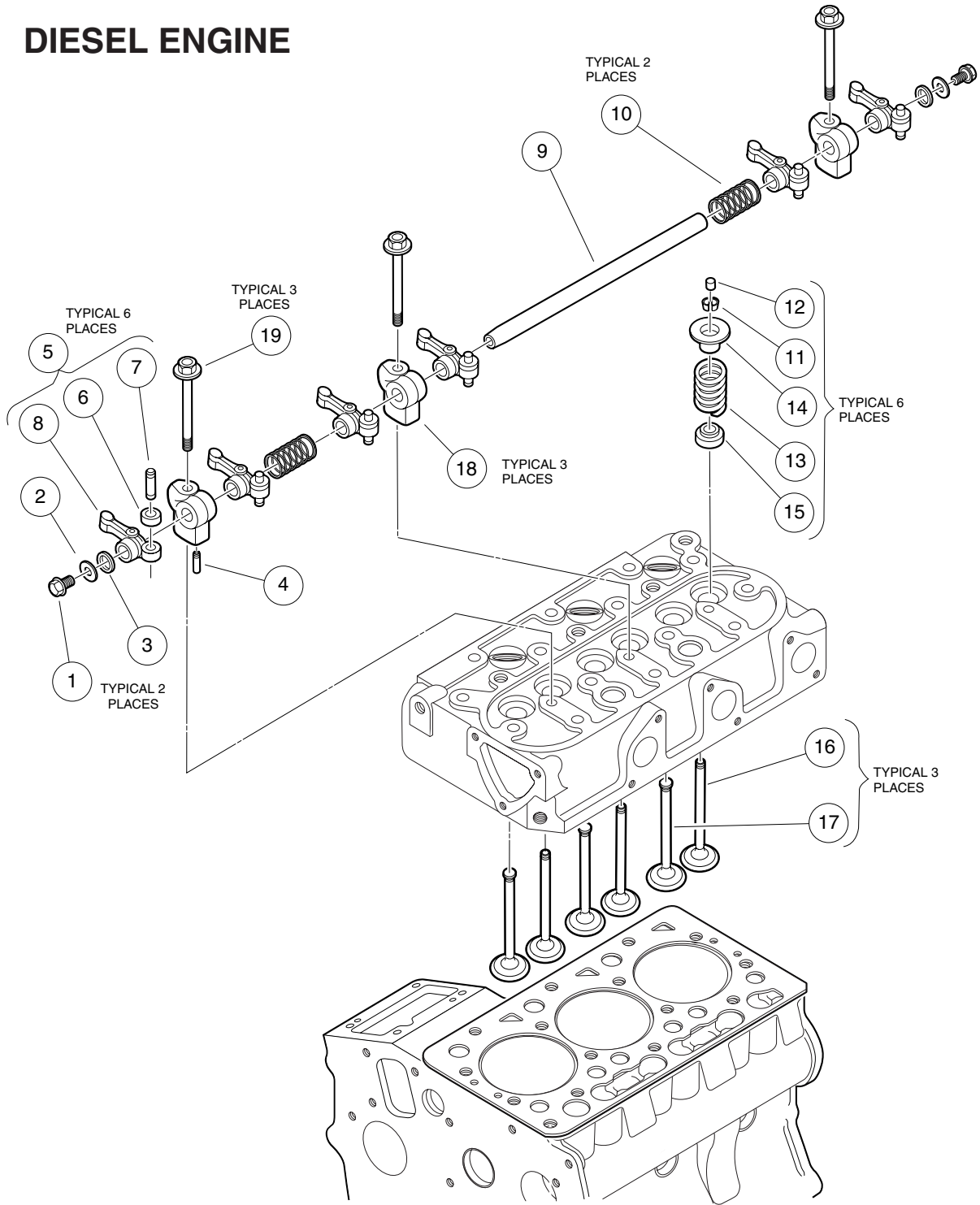
**8**

**D**

8

# DIESEL ENGINE

D



FRONT  
OF VEHICLE

000062-002

# VALVES AND ROCKER ARMS

ITEM	PART NO.	DESCRIPTION	QTY
		1 2 3 4	
1	603 00 14-22	Bolt, M6 X 1 X 8 .....	2
2	603 00 14-34	Washer, D722, Plain, Rocker .....	2
3	603 00 14-36	Washer, Rocker Arm .....	2
4	603 00 14-38	Pin, Spring, D722, Rocker .....	1
5	603 00 14-40	Assy Rocker Arm (includes items 6 through 8) .....	6
6	603 00 14-35	Nut, M6 .....	6
7	603 00 14-37	Screw-Adjusting .....	6
8	N/A	Arm, Rocker .....	1
9	603 00 14-42	Shaft, Rocker Arm .....	1
10	603 00 14-43	Spring, Rocker Arm .....	2
11	603 00 14-45	Collet, Valve Spring, Set .....	6
12	603 00 14-46	Cap, Valve, D722 .....	6
13	603 00 14-47	Spring, Valve .....	6
14	603 00 14-48	Retainer, Spring .....	6
15	603 00 14-49	Seal, Valve Stem .....	6
16	603 00 14-52	Valve, Exhaust .....	3
17	603 00 14-53	Valve, Inlet .....	3
18	603 00 14-41	Bracket, Rocker Arm, D722 Closed-Breather .....	3
19	603 00 14-39	Bolt, Rocker Arm .....	3

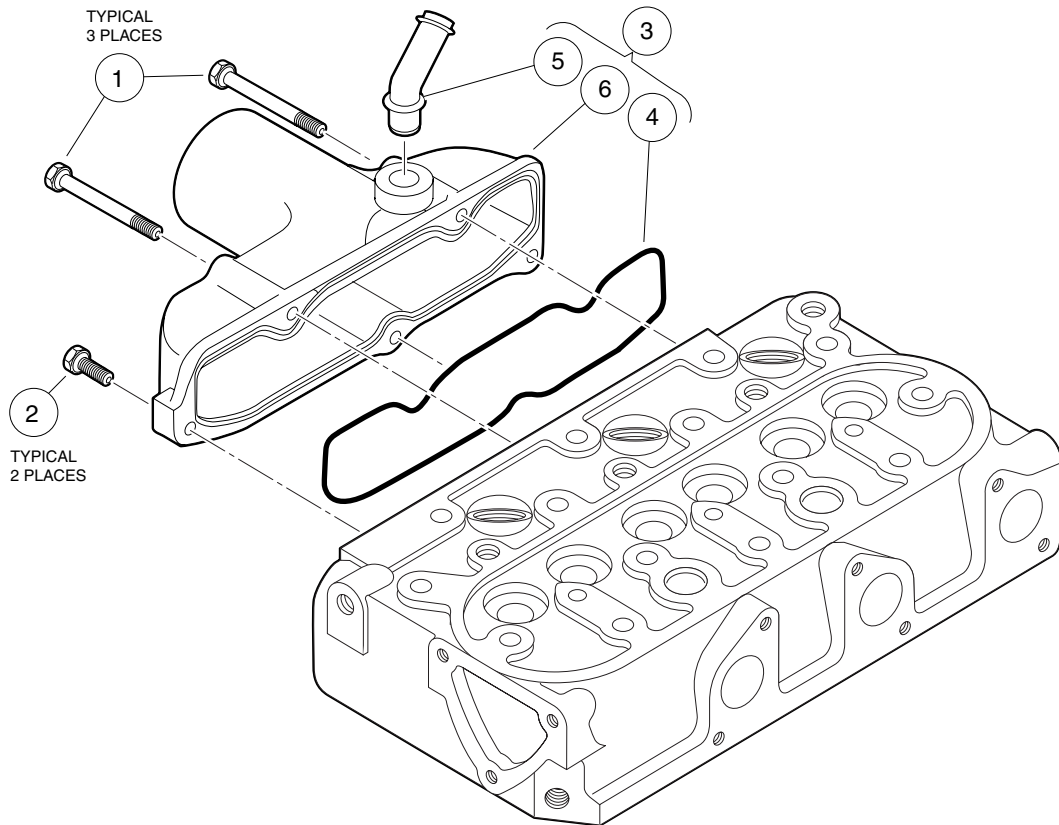
8

D

8

# DIESEL ENGINE

D



000063-002



# DIESEL INLET MANIFOLD

ITEM	PART NO.	DESCRIPTION	QTY
		1 2 3 4	
1	603 00 14-20	Bolt, M6 X 1 X 45 .....	3
2	603 00 14-56	Bolt, D722 Intake Manfld Lower .....	2
3	603 00 14-18	Assembly, Intake Manifold (includes items 4 through 6) .....	1
4	603 00 14-19	Gasket, Intake Manifold .....	1
5	603 00 18-22	Pipe, Breather .....	1
6	N/A	Manifold, Intake .....	1

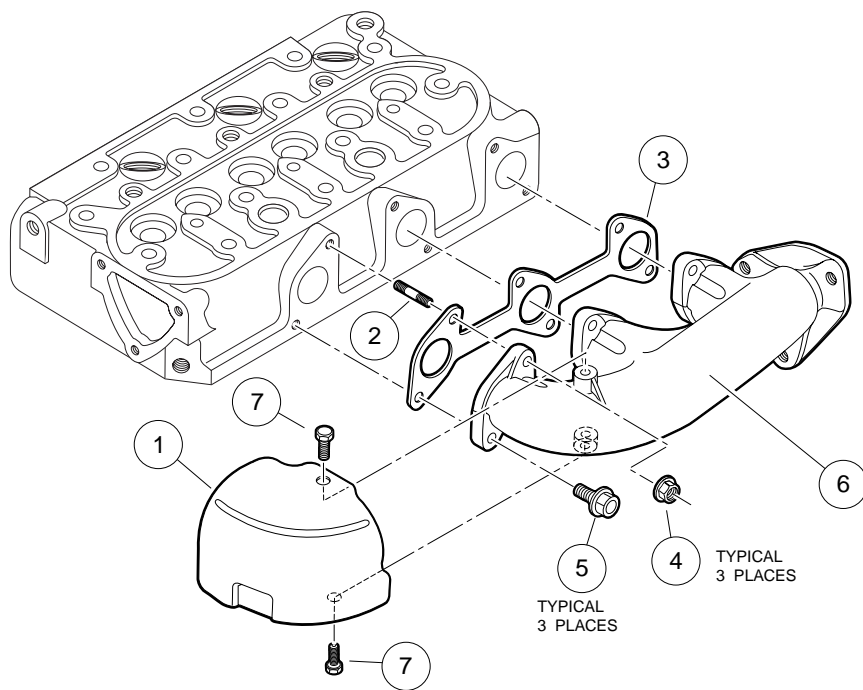
**8**

**D**

8

# DIESEL ENGINE

D



FRONT  
OF VEHICLE  
↙

000064-001

# EXHAUST MANIFOLD

ITEM	PART NO.	DESCRIPTION	QTY
		1 2 3 4	
1	603 00 14-21	Cover, Heat Proof .....	1
2	603 00 14-23	Stud, M6 X 26 .....	3
3	603 00 14-24	Gasket, Ex-manifold .....	1
4	603 00 14-25	Nut, Flange, M6, Ubs .....	3
5	603 00 14-26	Bolt, Flange Head, M6 X 1 X 16 .....	3
6	603 00 17-52	Manifold, Exhaust, D722 .....	1
7	603 00 17-53	Bolt, D722, Exhst Manfld Cover .....	2

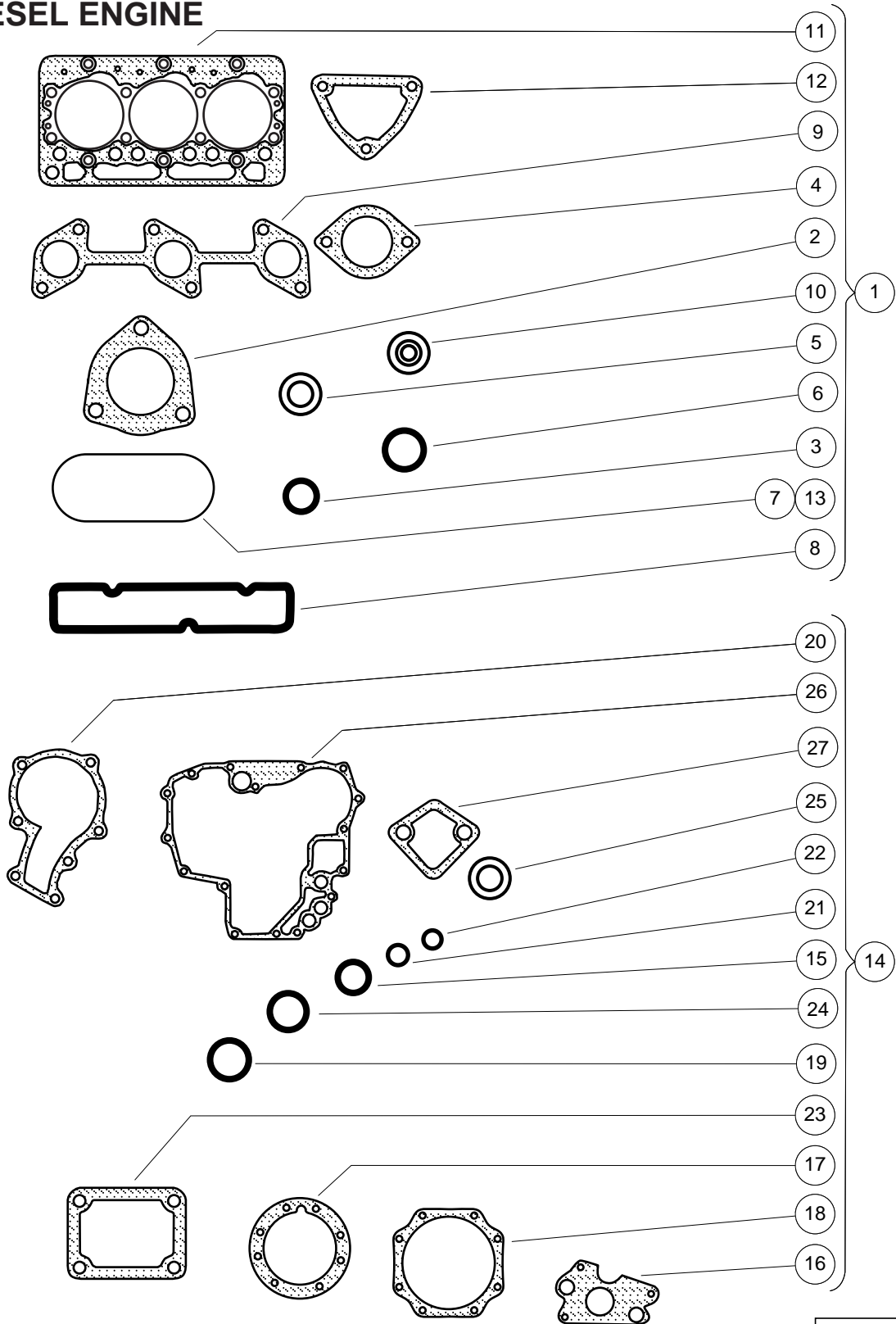
**8**

**D**

8

# DIESEL ENGINE

D



000065-001

# GASKET KITS

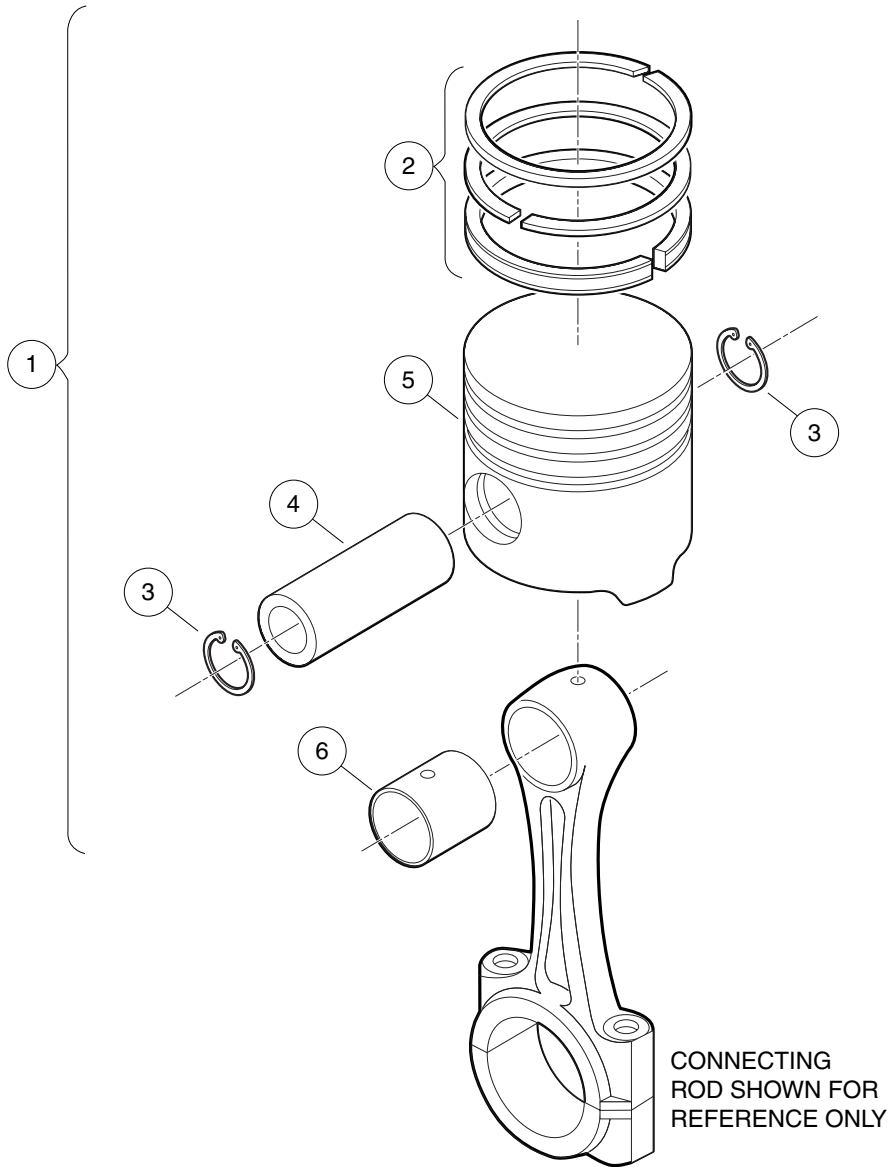
ITEM	PART NO.	DESCRIPTION	QTY
		1 2 3 4	
1	603 00 17-55	Kit, Gasket Upper, D722 (includes items 2 through 13) .....	1
2	603 00 09-96	Gasket, Exhaust Diesel .....	1
3	603 00 12-02	O Ring, 8 X 7 .....	1
4	603 00 13-53	Gasket, Thermostat .....	1
5	603 00 13-69	Gasket, 6 X 10 .....	3
6	603 00 14-06	O Ring, 30 X 36 .....	1
7	603 00 14-10	Gasket, Head Cover .....	1
8	603 00 14-19	Gasket, Intake Manifold .....	1
9	603 00 14-24	Gasket, Ex-manifold .....	1
10	603 00 14-49	Seal, Valve Stem .....	6
11	603 00 14-55	Gasket, Cylinder Head .....	1
12	603 00 14-60	Gasket, Water Flange .....	1
13	603 00 18-23	Gasket, Cylinder Head Cover .....	1
14	603 00 17-56	Kit, Gasket Lower, D722 (includes items 15 through 27) .....	1
15	603 00 12-12	O Ring, 18 X 13 .....	3
16	603 00 12-49	Gasket, Oil Pump .....	1
17	603 00 12-62	Gasket, Bearing Case .....	1
18	603 00 12-63	Gasket, Cover .....	1
19	603 00 13-33	O Ring, 23 X 26 .....	1
20	603 00 13-49	Gasket, Water Pump, D722 .....	1
21	603 00 13-58	O Ring, 19 X 16 .....	1
22	603 00 13-62	O Ring, 9 X 7 .....	1
23	603 00 13-63	Gasket, Control Plate .....	1
24	603 00 14-59	O Ring, 20 X 17 .....	1
25	603 00 28-00	Gasket, Idle Apparatus, Rear .....	2
26	603 00 17-31	Gasket, Gearcase, D722 .....	1
27	603 00 17-62	Gasket, Fuel Pump, D722 .....	1

**8**

**D**

## DIESEL ENGINE

D



000066-001

# PISTON KIT

ITEM	PART NO.	DESCRIPTION	QTY
		<b>1 2 3 4</b>	
1	603 00 17-57	Kit, Piston Rebuild, D722 (includes items 2 through 6) .....	1
2	603 00 12-56	Assy Piston Ring, D722 Std .....	1
3	603 00 13-39	Circlip, Piston Pin .....	2
4	603 00 13-40	Pin, Piston .....	1
5	603 00 17-19	Piston, D722, Std .....	1
6	603 00 17-58	Bushing, Piston Pin, D722 .....	1

**8**

**D**

8

*D*



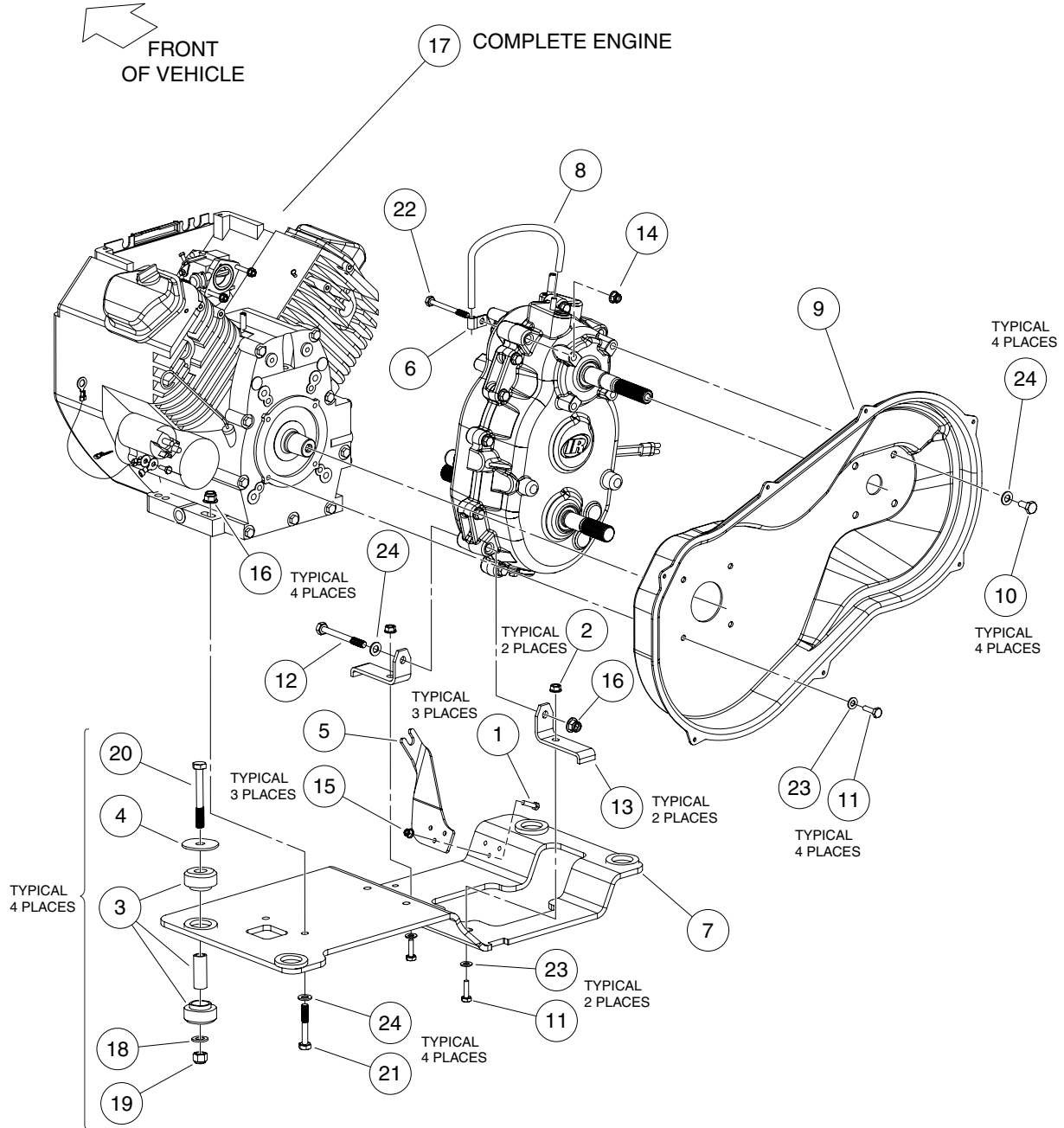
# HONDA GX620 GASOLINE ENGINE

---

9

G

# GASOLINE ENGINE



000025-003

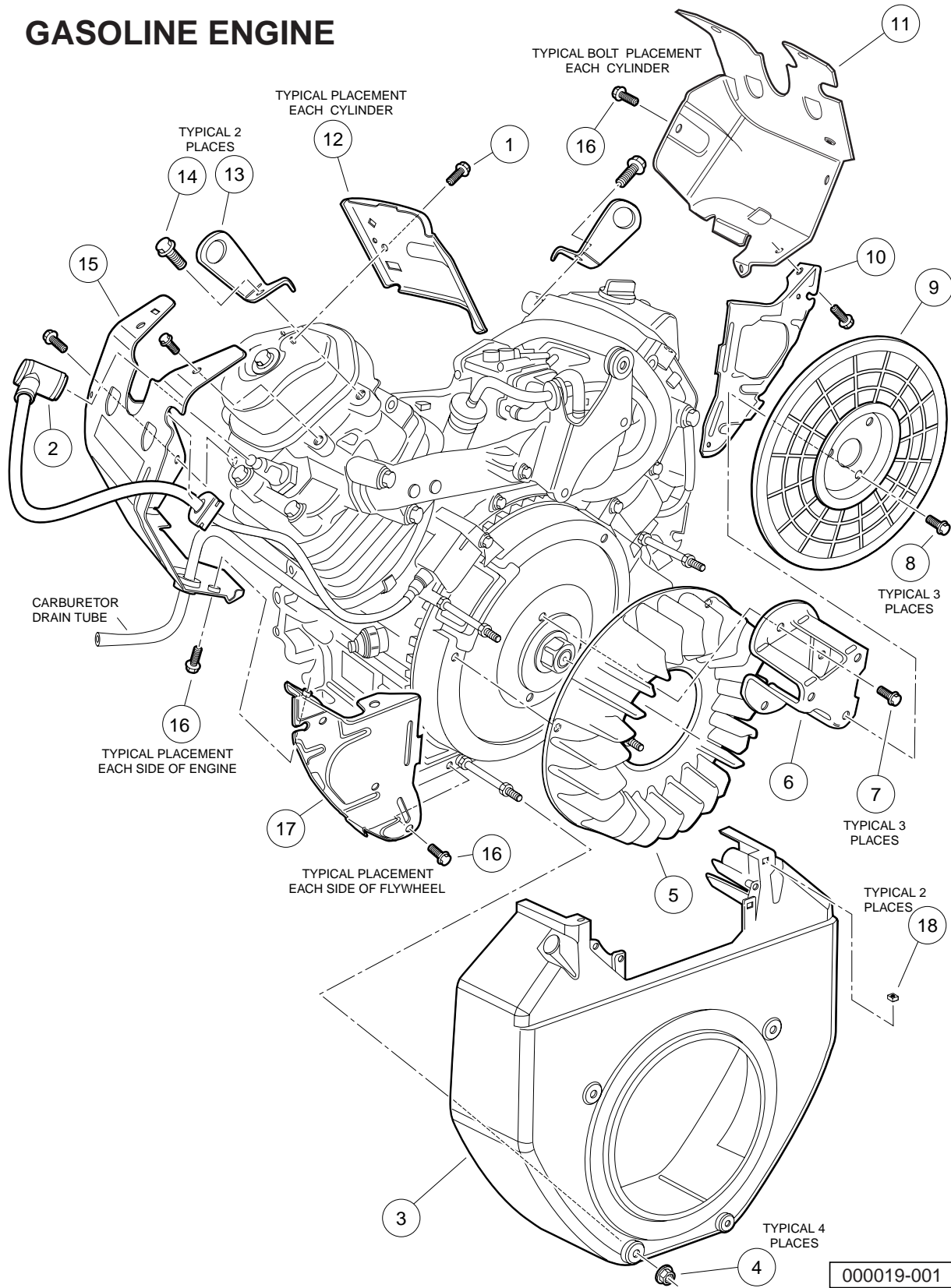
# HONDA GX620 GASOLINE ENGINE MOUNTING

ITEM	PART NO.	DESCRIPTION	QTY
		1 2 3 4	
1	603 00 01-57	Screw, M6-1.00 X 25mm Hex Cap .....	3
2	603 00 12-98	Nut,m8,all Metal Lock .....	2
3	603 00 09-08	Isolator Ring and Bushing .....	4
4	603 00 09-09	Washer, Snubbing, Ring N Bush .....	4
5	603 00 09-37	Bracket, FNR Trans Cable .....	1
6	603 00 09-66	P-Clamp, Insulated .312 In .....	1
7	603 00 09-86	Plate, Eng Mtg, Weld, Honda .....	1
8	603 00 11-11	Hose, Vent, Transmission .....	1
9	603 00 11-14	Cover, CVT Inner, Honda .....	1
10	603 00 11-65	Bolt, M10 X 1.5 X 20 Loctite .....	4
11	603 00 11-66	Bolt, M8 X 1.25 X 25 Loctite .....	6
12	603 00 11-69	Bolt, M10 X 1.5 X 100 Loctite .....	1
13	603 00 11-86	Bracket, Transmission Mounting .....	2
14	603 00 13-08	Lock Nut, Flg M8 X 1.25 Nylon .....	1
15	603 00 13-17	Nut Flg, M6 X 1.0 Nylon .....	3
16	603 00 15-86	Nut Flg M10 X 1.5 Nylon .....	5
17	531 30 82-56	Engine, Honda, No Acr .....	1
18	603 00 04-37	Washer, M12 Hard .....	4
19	N/A	Locknut, M12x1.75 Nylon Insert .....	4
20	603 00 04-40	Bolt, M12 X 1.75 X 90 .....	4
21	603 00 04-41	Bolt, M10 X 1.5 X 60 .....	4
22	603 00 04-49	Bolt, M8 X 1.25 X 80 .....	1
23	603 00 04-50	Washer, M8 Hard .....	6
24	603 00 04-51	Washer, M10 Hard .....	9

9

G

# GASOLINE ENGINE



000019-001

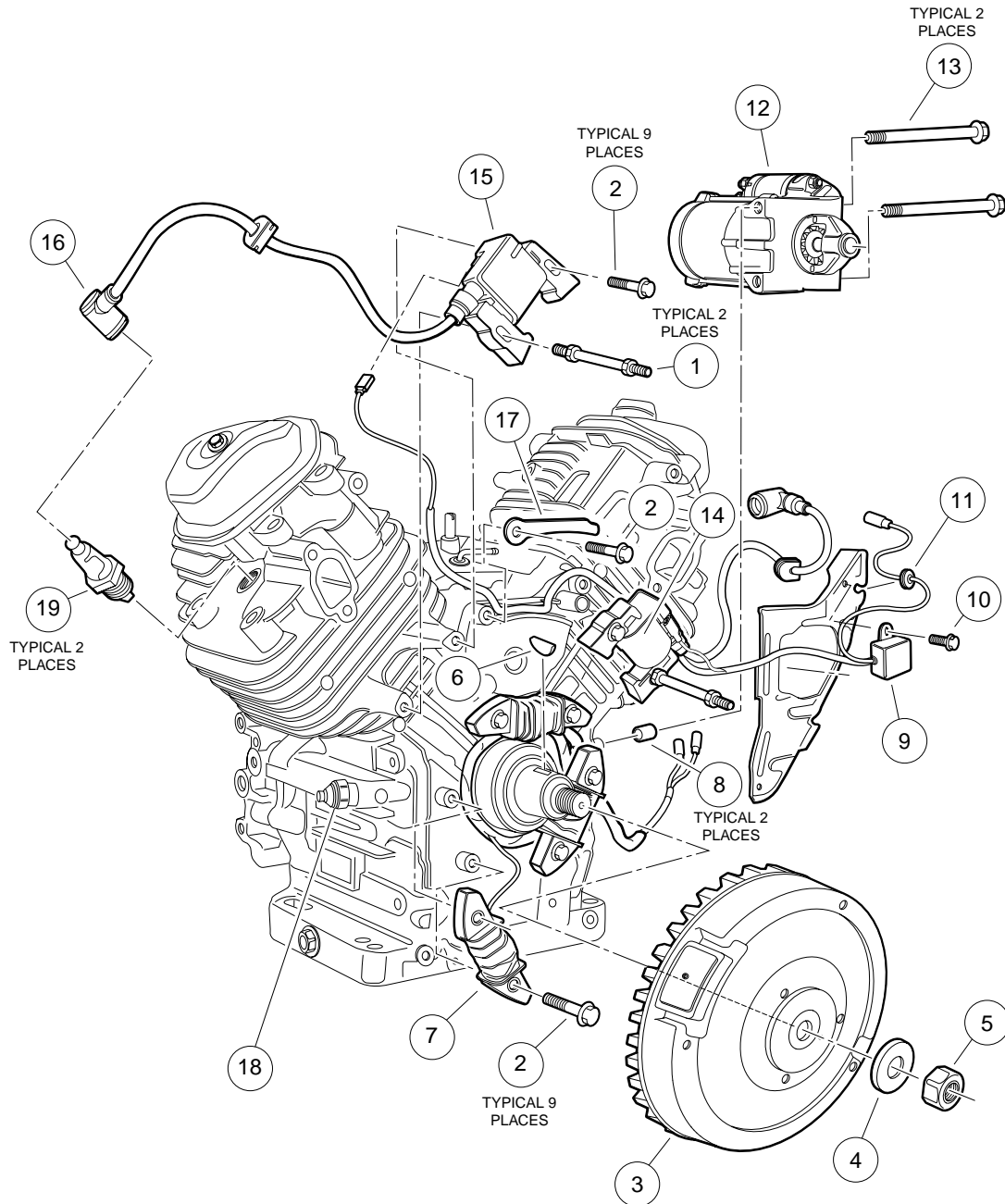
# SHROUDS AND BRACKETS

ITEM	PART NO.	DESCRIPTION	QTY
		1 2 3 4	
1	603 00 14-83	Bolt, Flange Head, M6 X 11 X 4 .....	2
2	603 00 15-68	Cap Assy, Noise Suppressor .....	2
3	603 00 15-69	Cover, Fan, Bright Red .....	1
4	603 00 15-70	Nut, Flange, M6 .....	4
5	603 00 15-71	Fan, Cooling .....	1
6	603 00 15-72	Holder, Screen Grid .....	1
7	603 00 15-73	Bolt, Flange Head, M8 X 1.25 X 16 .....	3
8	603 00 15-74	Bolt, Flange Head, M6 X 1 X 12 .....	3
9	603 00 15-75	Grid Screen, PTO .....	1
10	603 00 15-76	Plate, R Side .....	1
11	603 00 15-77	Shroud, R .....	1
12	603 00 15-78	Shroud, Head .....	2
13	603 00 15-79	Hanger, Engine .....	2
14	603 00 15-80	Bolt, Flange Head, M8 X 1.25 X 20 .....	2
15	603 00 15-81	Shroud, L .....	1
16	603 00 15-83	Bolt, Flange Head, M6 X 1 X 12 .....	6
17	603 00 15-84	Plate, Left Side .....	1
18	603 00 17-78	Nut, Square, 5mm .....	2
		Note: The part number for a complete engine is 102402701.	

9

G

## GASOLINE ENGINE



000018-001

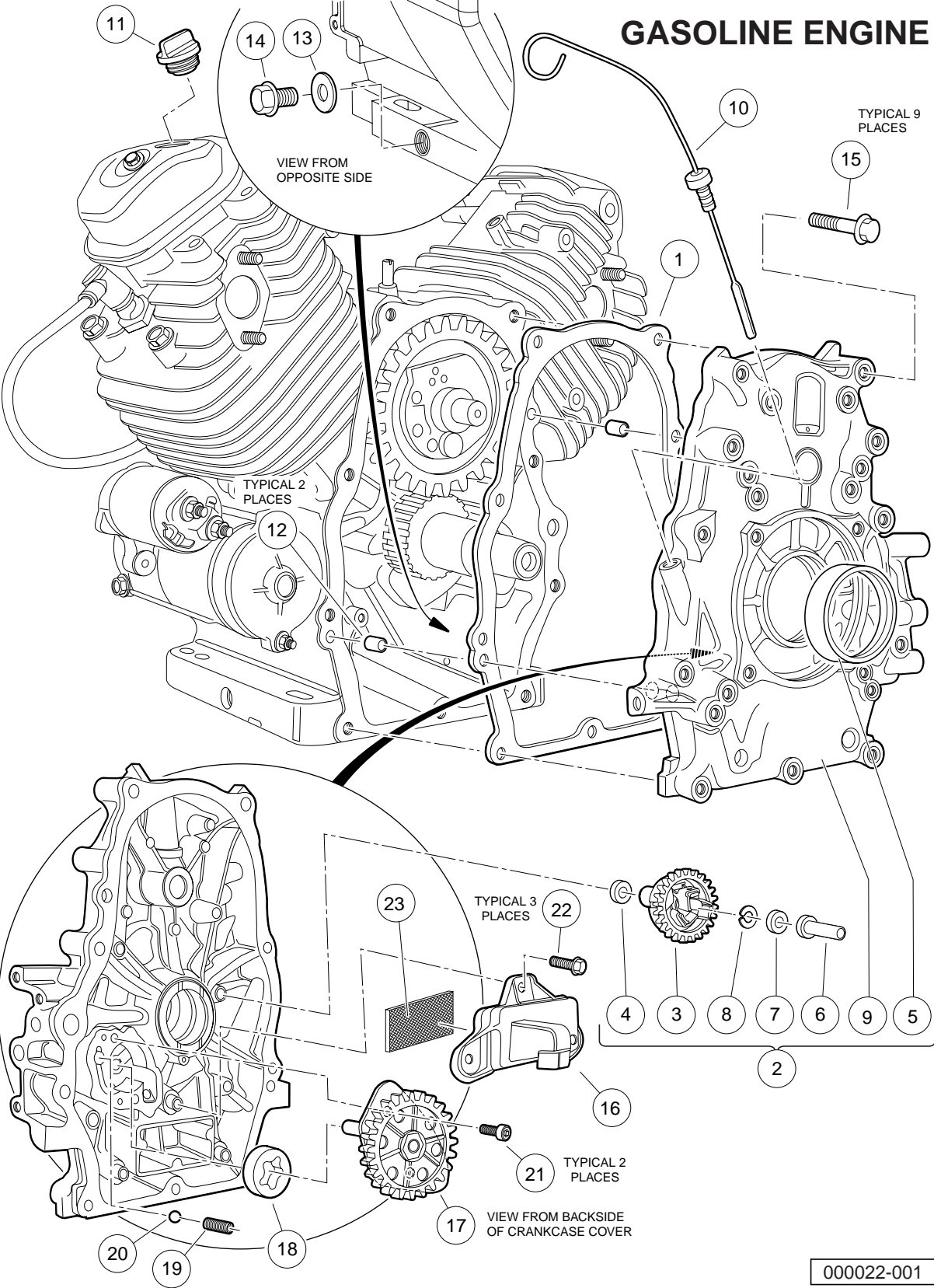
# IGNITION COMPONENTS AND FLYWHEEL

ITEM	PART NO.	DESCRIPTION	QTY
		1 2 3 4	
1	603 00 14-62	Stud, Engine .....	2
2	603 00 15-32	Bolt, Flange Head, M6 X 1 X 32 .....	9
3	603 00 15-55	Flywheel .....	1
4	603 00 35-93	Washer, M20 .....	1
5	603 00 15-56	Nut, Flange, M20 .....	1
6	603 00 15-58	Key, Special Woodruff, 25 X 18 .....	1
7	603 00 15-59	Coil Assy, Charge, 12-Volt, 20-Amp .....	3
8	603 00 15-60	Pin, Dowel, 10x12 .....	2
9	603 00 15-61	Diode Assembly .....	1
10	603 00 15-62	Bolt, Flange Head, M6 X 1 X 8 .....	1
11	603 00 15-63	Grommet, Tool .....	1
12	603 00 15-64	Motor, Starter .....	1
13	603 00 15-65	Bolt, Flange Head, M8 X 1.25 X 110 .....	2
14	603 00 15-66	Coil Assy, R, Ignition .....	2
15	603 00 15-67	Coil Assy, L, Ignition .....	2
16	603 00 15-68	Cap Assy, Noise Suppressor .....	2
17	603 00 15-82	Clamp, Wire .....	1
18	603 00 19-34	Switch, Oil Pressure .....	1
19	603 00 37-70	Spark Plug, BPR2ES .....	2

9

G

**GASOLINE ENGINE**



000022-001



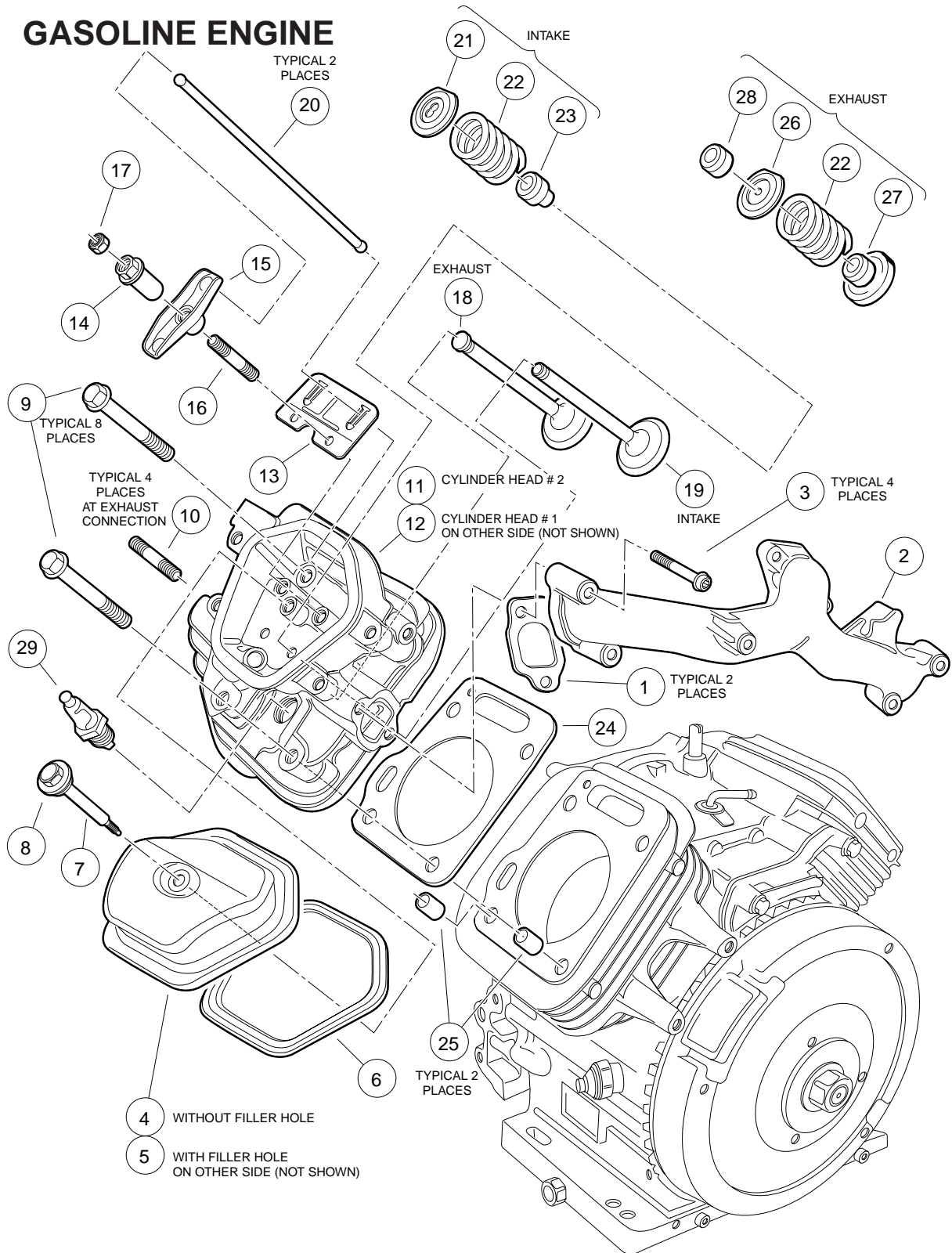
# OIL CIRCULATION

ITEM	PART NO.	DESCRIPTION	QTY
		1 2 3 4	
1	603 00 14-87	Gasket, Case Cover .....	1
2	603 00 14-88	Cover Assembly, Crankcase (includes items 3 through 9) .....	1
3	603 00 14-95	Governor Assembly .....	1
4	603 00 15-03	Washer, Plain, M6 .....	1
5	603 00 16-90	Seal, Oil, 38 X 58 X 9 .....	1
6	603 00 16-91	Slider, Governor .....	1
7	603 00 16-92	Washer, 6 X 16 .....	1
8	603 00 16-93	Clip, Governor .....	1
9	N/A	Cover, Crankcase .....	1
10	603 00 14-89	Dipstick, Oil .....	1
11	603 00 14-90	Cap, Oil Filler .....	1
12	603 00 14-91	Pin A, Dowel, 8 X 14 .....	2
13	603 00 14-92	Washer, Drain Plug, M14 .....	1
14	603 00 14-93	Bolt, Drain Plug, M14 .....	1
15	603 00 14-94	Bolt, Flange Head, M8 X 1.25 X 50 .....	9
16	603 00 14-96	Cover, Oil Filter .....	1
17	603 00 14-97	Cover Assembly, Oil Pump .....	1
18	603 00 14-98	Rotor, Oil Pump, Outer .....	1
19	603 00 14-99	Spring, Relief Valve .....	1
20	603 00 15-00	Ball, Steel, 3/8, #12 .....	1
21	603 00 15-01	Bolt, Socket .....	2
22	603 00 15-02	Bolt, Flange Head, M6 X 1 X 20 .....	3
23	603 00 16-94	Screen, Oil Filter .....	1

9

G

# GASOLINE ENGINE



000013-001

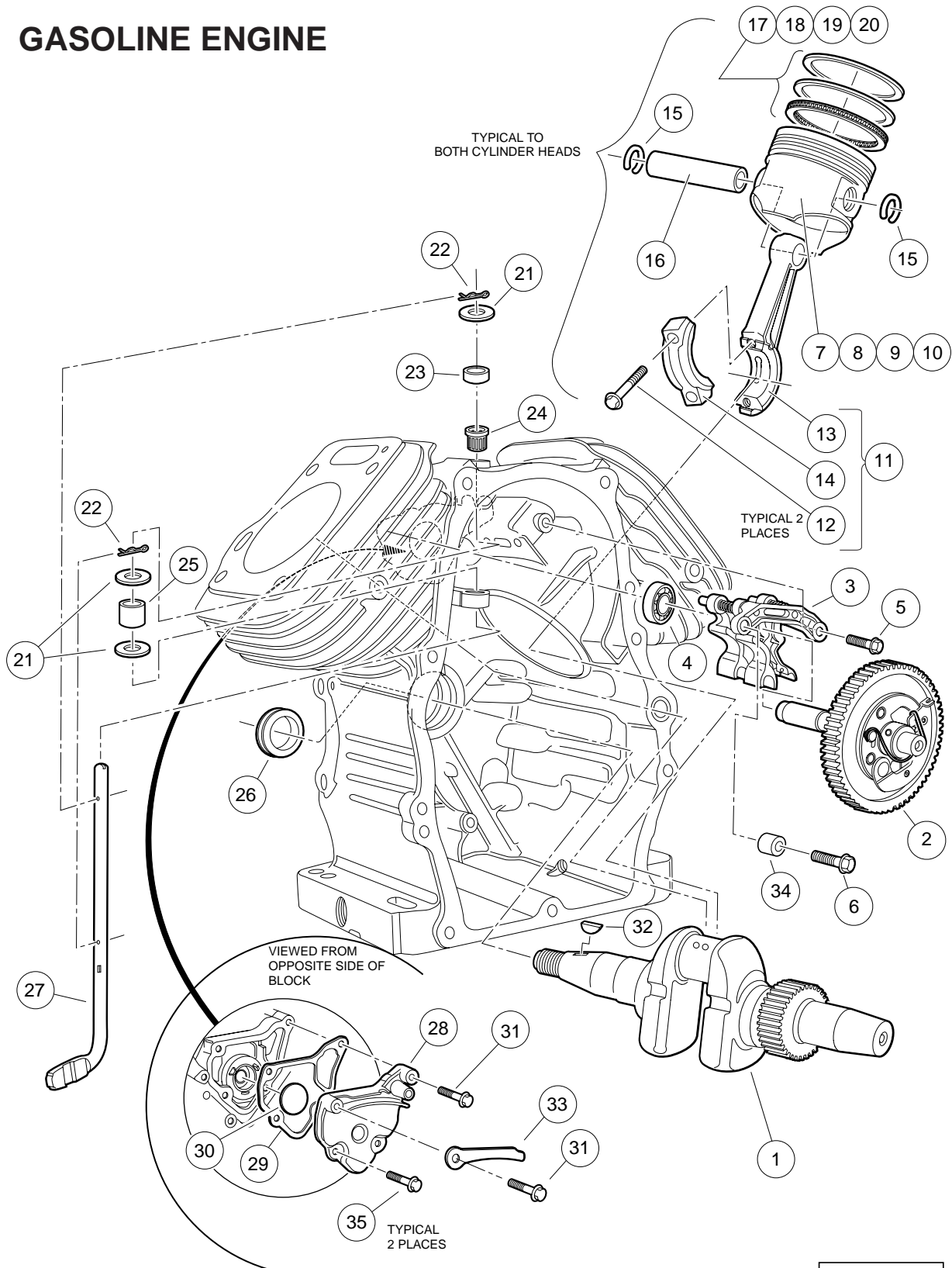
# CYLINDER HEAD

ITEM	PART NO.	DESCRIPTION	QTY
		1 2 3 4	
1	603 00 14-84	Gasket, Intake Manifold .....	2
2	603 00 14-85	Manifold, Inlet .....	1
3	603 00 14-86	Bolt, Socket, M8 X 1.25 X 45 .....	4
4	603 00 15-33	Cover, Head .....	1
5	603 00 15-34	Cover, Head Filler .....	1
6	603 00 15-35	Gasket, Cylinder Head Cover .....	2
7	603 00 15-36	Bolt, Head Cover .....	2
8	603 00 15-37	Washer, Head Cover .....	2
9	603 00 15-38	Bolt, Flange Head, M10 X 1.5 X 80 .....	8
10	603 00 15-39	Bolt, Stud, M8x22 .....	4
11	603 00 15-40	Cylinder Head, #2 .....	1
12	603 00 15-41	Cylinder Head, #1 .....	1
13	603 00 15-42	Plate, Push Rod Guide .....	2
14	603 00 15-43	Pivot, Rocker Arm .....	4
15	603 00 15-44	Arm, Valve Rocker .....	4
16	603 00 15-45	Bolt, Pivot, M8 .....	4
17	603 00 15-46	Nut, Pivot Adj .....	4
18	603 00 15-47	Valve, Ex .....	2
19	603 00 15-48	Valve, In .....	2
20	603 00 15-49	Rod, Push .....	4
21	603 00 15-50	Retainer, In Valve Spring .....	2
22	603 00 15-51	Spring, Valve .....	4
23	603 00 15-52	Seal, Valve Stem .....	2
24	603 00 15-53	Gasket, Cylinder Head .....	2
25	603 00 15-54	Pin A, Dowel ,12 X 20 .....	4
26	603 00 16-85	Retainer, Ex Valve Spring .....	2
27	603 00 16-86	Seat, Valve Spring .....	2
28	603 00 16-87	Rotator, Valve .....	2
29	603 00 37-70	Spark Plug, BPR2ES .....	2

9

G

# GASOLINE ENGINE



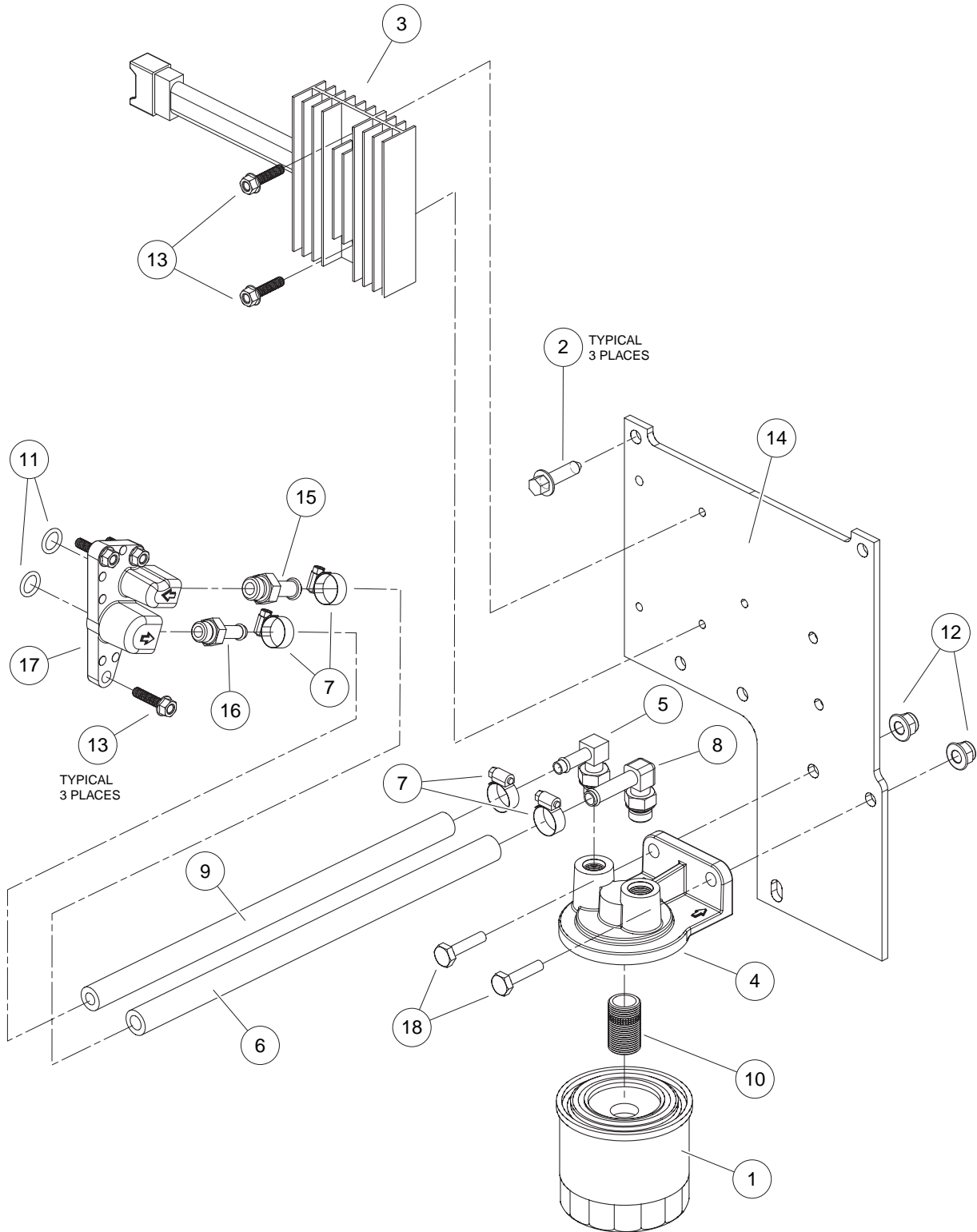
000023-001

# CRANKCASE AND CRANKSHAFT

ITEM	PART NO.	DESCRIPTION	QTY
		1 2 3 4	
1	603 00 15-04	Crankshaft .....	1
2	603 00 15-05	Camshaft Assembly .....	1
3	603 00 15-06	Lifter Assembly, Valve .....	1
4	603 00 15-07	Bearing, Radial Ball, 6003 .....	1
5	603 00 15-08	Bolt, Flange Head, M5 X 1 X 16 .....	1
6	603 00 15-09	Bolt, Flange Head, M6 X 1 X 25 .....	1
7	603 00 15-10	Piston, Std .....	2
8	603 00 15-11	Piston, Over-Sized 0.25 .....	2
9	603 00 15-12	Piston, Over-Sized 0.50 .....	2
10	603 00 15-13	Piston, 0.75 .....	2
11	603 00 15-14	Rod Assy., Connecting (includes items 12 through 14) .....	2
12	603 00 15-21	Bolt, Connecting Rod, 6 X 37 .....	2
13	N/A	Connecting Rod .....	1
14	N/A	Cap, Connecting Rod .....	1
15	603 00 15-15	Clip, Piston Pin, 18mm .....	4
16	603 00 15-16	Pin, Piston .....	2
17	603 00 15-17	Ring Set, Piston, Std .....	2
18	603 00 15-18	Ring Set, Piston, OS 0.25 .....	2
19	603 00 15-19	Ring Set, Piston, OS 0.50 .....	2
20	603 00 15-20	Ring Set, Piston, OS 0.75 .....	2
21	603 00 15-22	Washer, Plain, M8 .....	3
22	603 00 15-23	Pin, Lock, 8 Mm .....	2
23	603 00 15-24	Bearing, Needle, 8 X 12.7 X 11 .....	1
24	603 00 15-25	Oil Seal, 8 X 14 X 5 .....	1
25	603 00 04-46	Bearing, Needle, 8 X 12 X 10 .....	1
26	603 00 15-27	Oil Seal, 38 X 58 X 9 .....	1
27	603 00 15-28	Shaft, Governor Arm .....	1
28	603 00 15-29	Cover, Breather .....	1
29	603 00 15-30	Gasket, Breather Cover .....	1
30	603 00 15-31	Valve, Breather .....	1
31	603 00 15-32	Bolt, Flange Head, M6 X 1 X 32 .....	2
32	603 00 15-58	Key, Special Woodruff, 25 X 18 .....	1
33	603 00 15-82	Clamp, Wire .....	1
34	603 00 16-95	Pin A, Dowel .....	1
35	603 00 16-96	Bolt, Flange Head, 6 X 16 .....	1

**9**  
**G**

# GASOLINE ENGINE



000083-001

# OIL FILTER ADAPTER AND VOLTAGE REGULATOR

ITEM	PART NO.	DESCRIPTION	QTY
		1 2 3 4	
1	603 00 00-06	Filter, Oil .....	1
2	603 00 08-69	Screw, M8X1.25X30, Hex .....	3
3	603 00 08-85	Regulator, Voltage .....	1
4	603 00 09-11	Bracket, Oil Filter Mount .....	1
5	603 00 10-15	Adapter, 90, 5/16 Tube .....	1
6	603 00 10-56	Hose, 3/8, Remote Oil, Honda .....	1
7	603 00 10-57	Clamp, Hose .....	4
8	603 00 10-99	Adapter, 90, 3/8 Tube .....	1
9	603 00 11-00	Hose, 5/16, Remote Oil, Honda .....	1
10	603 00 11-42	Nipple, M20, Remote Oil .....	1
11	603 00 11-68	O-ring 11.8 X 2.4 .....	2
12	603 00 13-08	Lock Nut, Flg M8 X 1.25 Nylon .....	2
13	603 00 15-87	Screw, M6 X 1 X 25 Thd Form .....	5
14	603 00 16-67	Plate, Fuel/Oil System .....	1
15	603 00 16-82	Adapter, 3/8 Hose .....	1
16	603 00 16-83	Adapter, 5/16 Hose .....	1
17	603 00 09-10	Adapter, Oil Filter, Honda Eng .....	1
18	603 00 04-43	Bolt, M8 X 1.25 X 30 .....	2

**9**

**G**

9

G



# FUEL, INTAKE, AND GOVERNOR SYSTEM

---

10

G

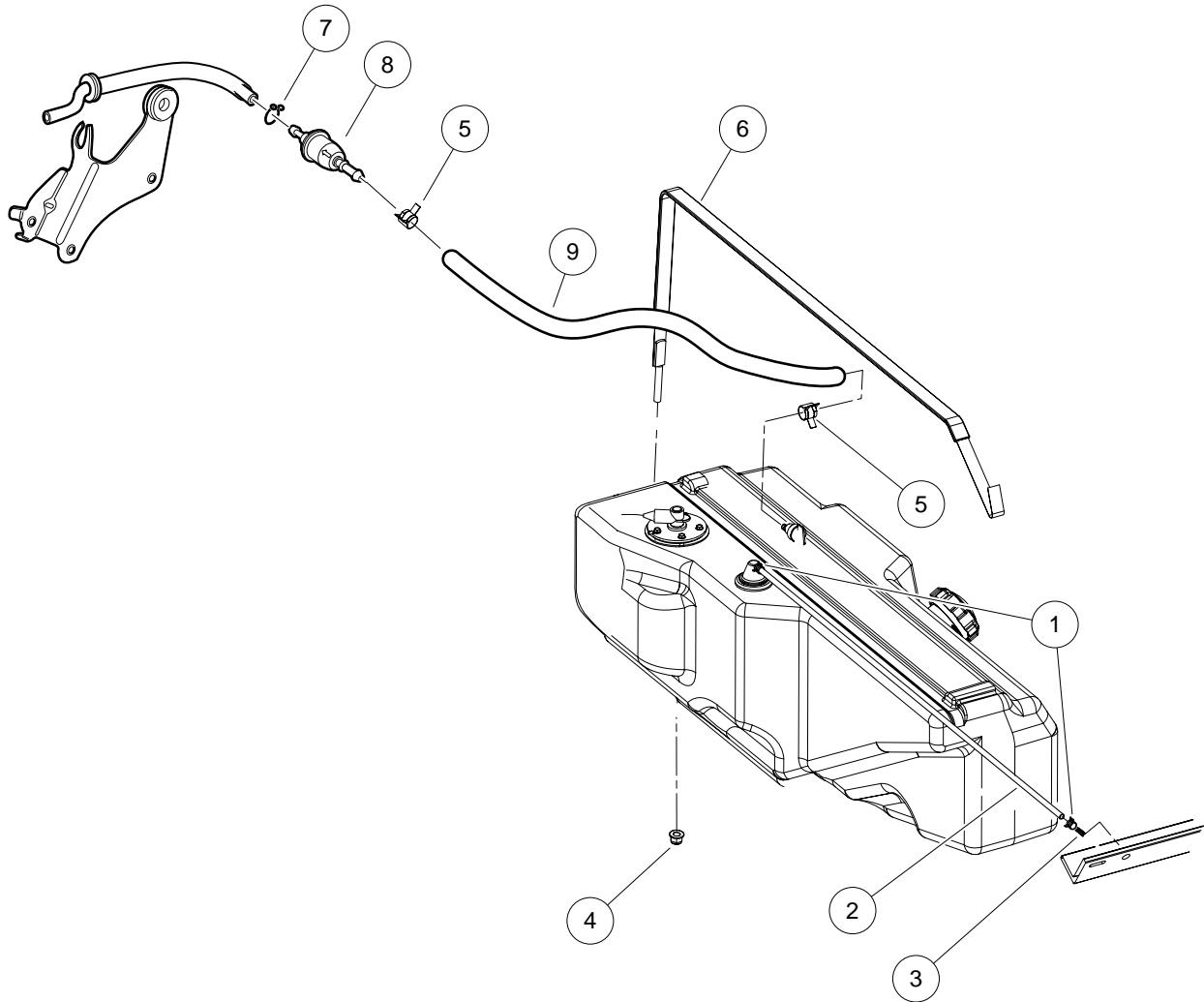
D

10

G

# GASOLINE VEHICLE

D



000081-002

# FUEL SYSTEM – GASOLINE VEHICLES

ITEM	PART NO.	DESCRIPTION	QTY
		1 2 3 4	
1	603 00 01-85	Clamp, 0.301 ID Hose .....	2
2	603 00 04-65	Hose, Fuel, Vent, 22" Long .....	1
3	603 00 05-03	Vent Barb .....	1
4	603 00 12-98	Nut,m8,all Metal Lock .....	1
5	603 00 09-68	Clamp, Hose, Ctb 13mm .....	2
6	603 00 10-00	Strap, Tank, Fuel .....	1
7	603 00 14-81	Clip, Tube, B10 .....	1
8	603 00 00-37	Filter, Fuel .....	1
9	603 00 38-04	Hose, Tank To Filter, Fh680d .....	1

10

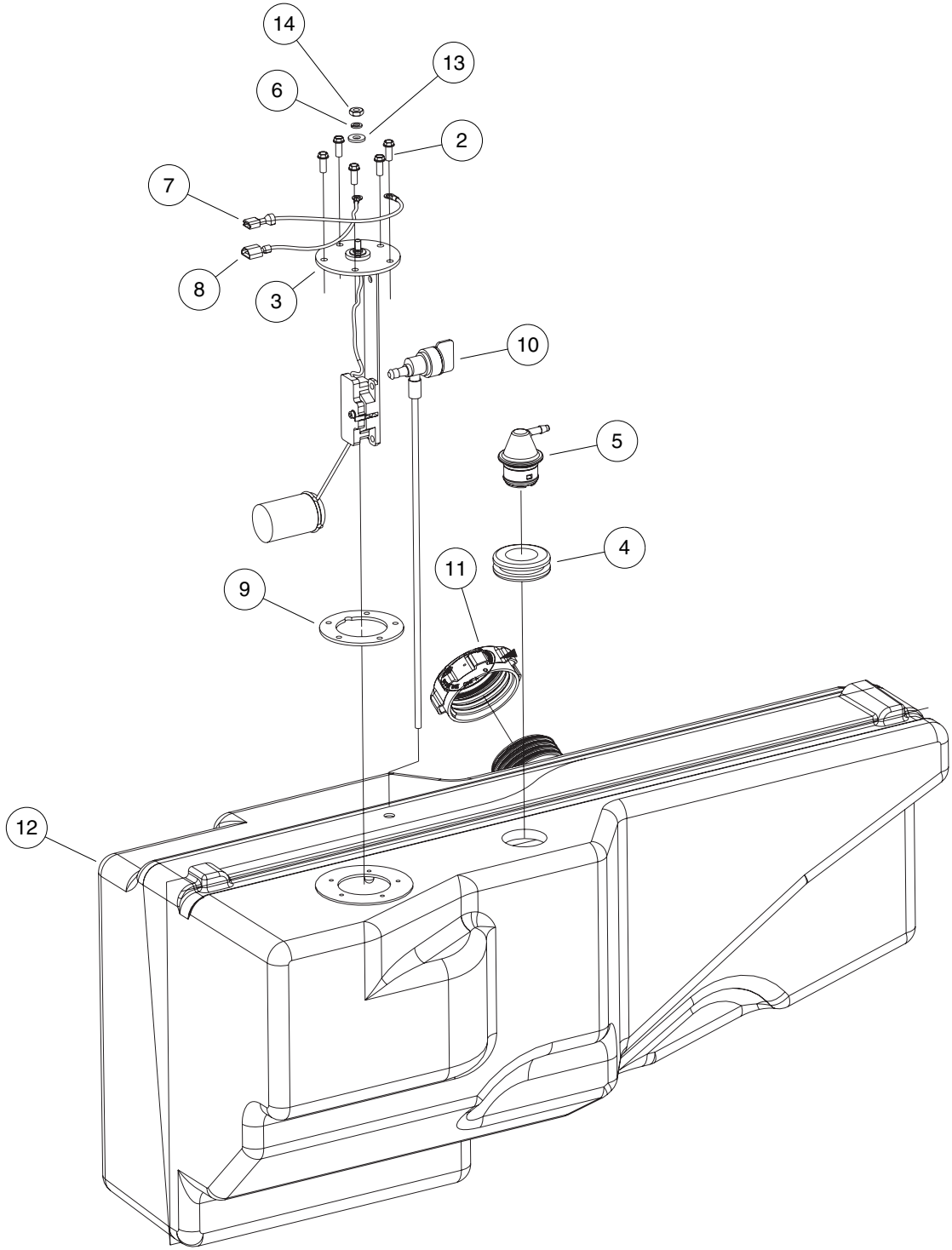
G

D

10

G

D



000082-004

# FUEL TANK – GASOLINE VEHICLES

ITEM	PART NO.	DESCRIPTION	QTY
		1 2 3 4	
1	603 00 09-50	Asm, Tank, Fuel, Gas, 4x4 (includes items 2 through 14) .....	1
2	603 00 01-73	Screw, #10-16 Hex-Head Hi-Lo .....	5
3	603 00 01-74	Sending Unit, Fuel Level * .....	1
4	603 00 02-41	Insulation Grommet .....	1
5	603 00 02-42	Vent, Fuel Tank .....	1
6	603 00 00-61	Washer, #10 Split Lock .....	1
7	N/A	Wire Asm, Blk, 170mm .....	1
8	N/A	Wire Asm, Org, 170mm .....	1
9	603 00 30-57	Gasket, Rubber .....	1
10	603 00 15-88	Valve, Pickup Tube, Fuel .....	1
11	531 30 95-43	Cap, Fuel Tank, Gasoline .....	1
12	N/A	Tank, Fuel, Gas, 4x4 .....	1
13	603 00 00-51	Washer, #10 Type A Flat .....	1
14	603 00 00-97	Nut, #10-32 Brass Hex .....	1
* Note: Must replace fuel sending unit gasket when servicing this component. p/n 603 00 30-57			

10

G

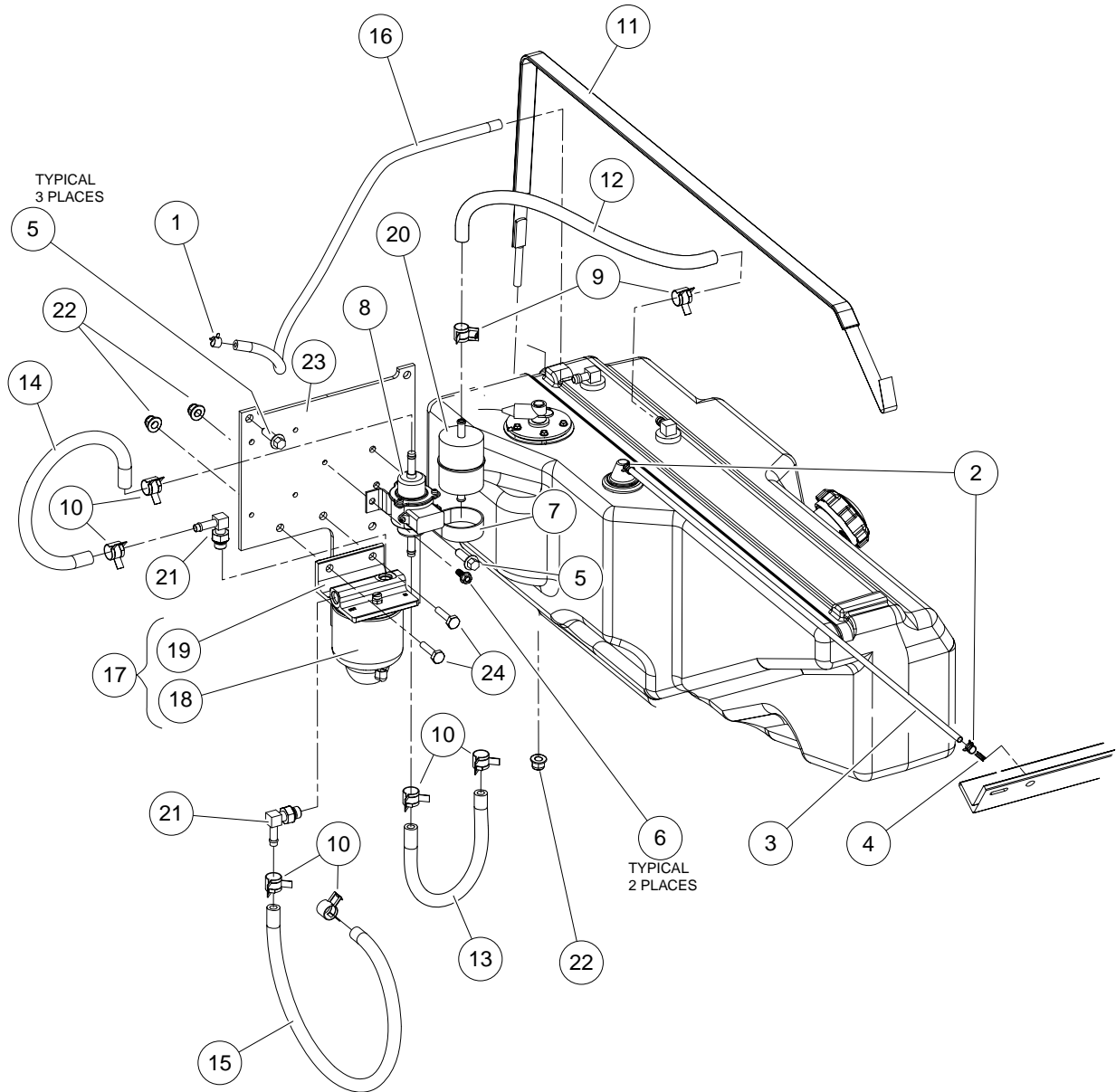
D

10

G

# DIESEL VEHICLE

D



000081-001

# FUEL SYSTEM – DIESEL VEHICLES

ITEM	PART NO.	DESCRIPTION	QTY
		1 2 3 4	
1	603 00 04-57	Clamp, Green Hose .....	1
2	603 00 01-85	Clamp, 0.301 ID Hose .....	2
3	603 00 04-65	Hose, Fuel, Vent, 22" Long .....	1
4	603 00 05-03	Vent Barb .....	1
5	603 00 08-69	Screw, M8X1.25X30, Hex .....	5
6	603 00 08-74	Screw, M6 X 16 Tt Hx Fl Hd .....	1
7	603 00 09-65	P-Clamp, Insulated 1.75 In .....	1
8	603 00 09-67	Pump, Diesel Fuel Electric .....	1
9	603 00 09-68	Clamp, Hose, Ctb 13mm .....	2
10	603 00 09-69	Clamp, Hose, Ctb 14mm .....	6
11	603 00 10-00	Strap, Tank, Fuel .....	1
12	603 00 10-05	Hose, Tank To Prefilter Diesel .....	1
13	603 00 10-06	Hose, Fuel Prefilter To Pump .....	1
14	603 00 10-07	Hose, Fuel Pump To Filter .....	1
15	603 00 10-08	Hose, Fuel Filter To Eng .....	1
16	603 00 10-09	Hose, Fuel Return .....	1
17	603 00 16-80	Filter Assy, Fuel .....	1
18	603 00 00-42	Filter, Fuel .....	1
19	603 00 10-15	Adapter, 90, 5/16 Tube .....	2
20	603 00 13-08	Lock Nut, Flg M8 X 1.25 Nylon .....	3
21	603 00 16-67	Plate, Fuel/Oil System .....	1
22	603 00 04-43	Bolt, M8 X 1.25 X 30 .....	2

**10**

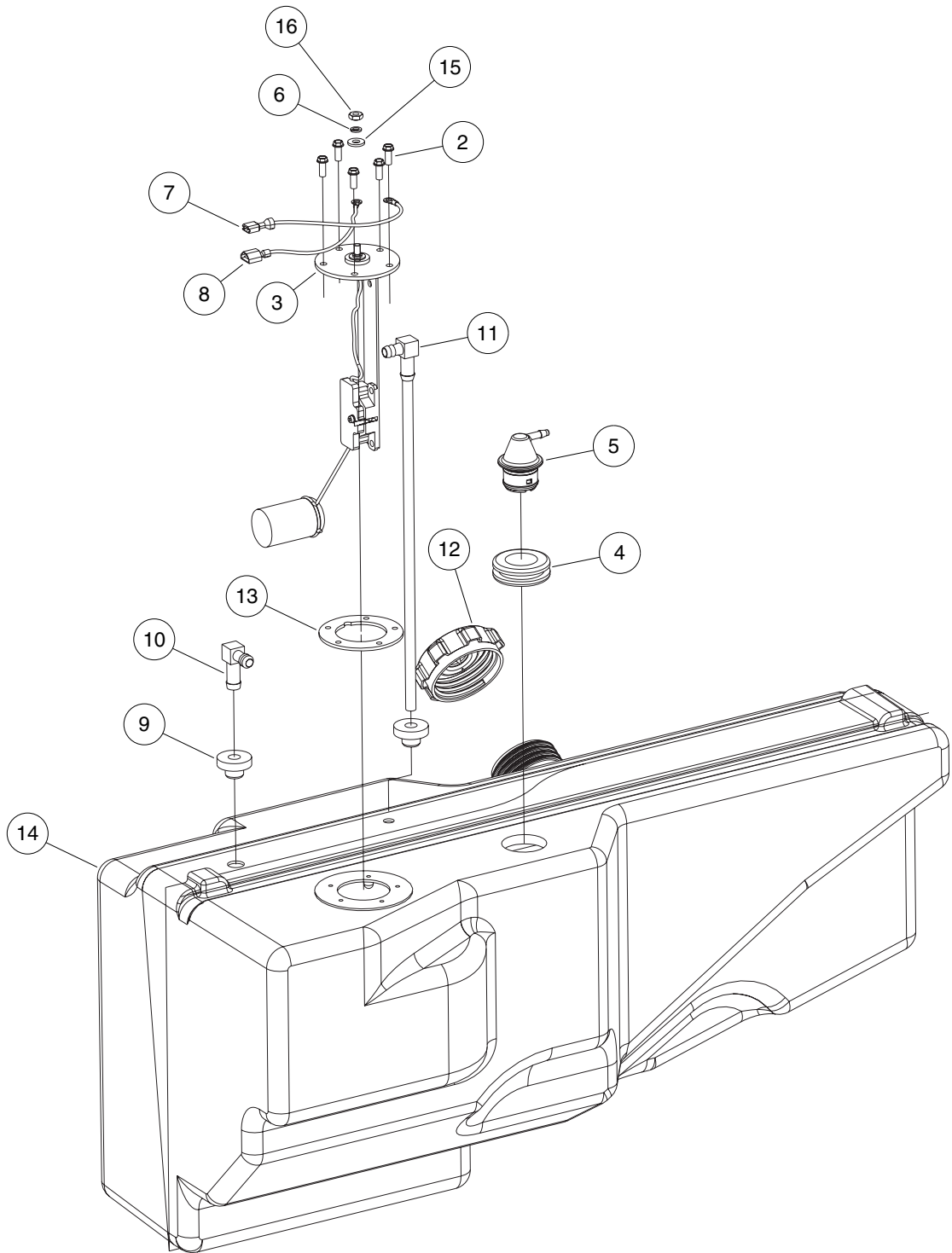
**G**

**D**

10

G

D



000082-005



# FUEL TANK – DIESEL VEHICLES

ITEM	PART NO.	DESCRIPTION	QTY
		1 2 3 4	
1	603 00 09-49	Asm, Tank, Fuel, Diesel, 4x4 (includes items 2 through 16) .....	1
2	603 00 01-73	Screw, #10-16 Hex-Head Hi-Lo .....	5
3	****	Sending Unit, Fuel Level * .....	1
4	603 00 02-41	Insulation Grommet .....	1
5	603 00 02-42	Vent, Fuel Tank .....	1
6	603 00 00-61	Washer, #10 Split Lock .....	1
7	N/A	Wire Asm, Blk, 170mm .....	1
8	N/A	Wire Asm, Org, 170mm .....	1
9	603 00 09-51	Bushing, Line, Return .....	2
10	603 00 09-52	Elbow, 90 Barbed .....	1
11	603 00 11-52	Pickup Tube, Fuel .....	1
12	603 00 11-87	Cap, Fuel (Diesel) .....	1
13	603 00 30-57	Gasket, Rubber .....	1
14	N/A	Tank, Fuel, Diesel, 4x4 .....	1
15	603 00 00-51	Washer, #10 Type A Flat .....	1
16	603 00 00-97	Nut, #10-32 Brass Hex .....	1
<p>**** Special order item available upon request.</p> <p>* Note: Must replace fuel sending unit gasket when servicing this component.</p>			

10

G

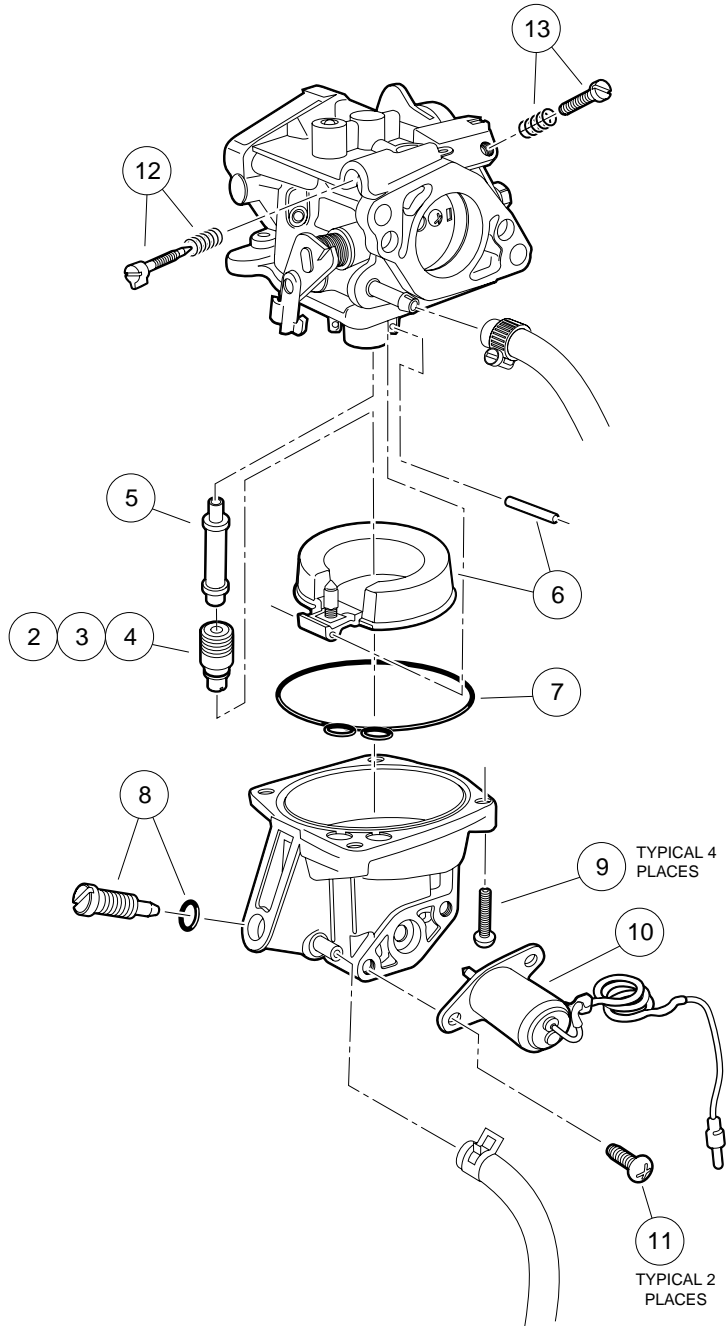
D

10

G

# HONDA GASOLINE VEHICLE

D



000020-001

# CARBURETOR ASSEMBLY, HONDA GASOLINE VEHICLES

ITEM	PART NO.	DESCRIPTION	QTY
		1 2 3 4	
1	603 00 14-61	Carburetor, Seal Shaft (includes items 2 through 13) .....	1
2	603 00 13-19	Jet, GX620, #102 (8000 ft. and higher (2438 m and higher)) .....	1
3	603 00 13-20	Jet, GX620, #105 (5000-8000 ft. (1524-2438 m)) .....	1
4	603 00 13-21	Jet, GX620, #108 (0-5000 ft. (0-1524 m)) .....	1
5	603 00 14-63	Nozzle, Main .....	1
6	603 00 14-64	Float Set .....	1
7	603 00 14-65	Gasket Set .....	1
8	603 00 14-66	Screw Set, Drain .....	1
9	603 00 14-67	Screw-Washer, M4 X 14 .....	4
10	603 00 14-68	Valve Assy., Solenoid .....	1
11	603 00 14-69	Screw-Washer, M5 X 12 .....	2
12	603 00 16-88	Screw Set, Left .....	1
13	603 00 16-89	Screw Set, Right .....	1

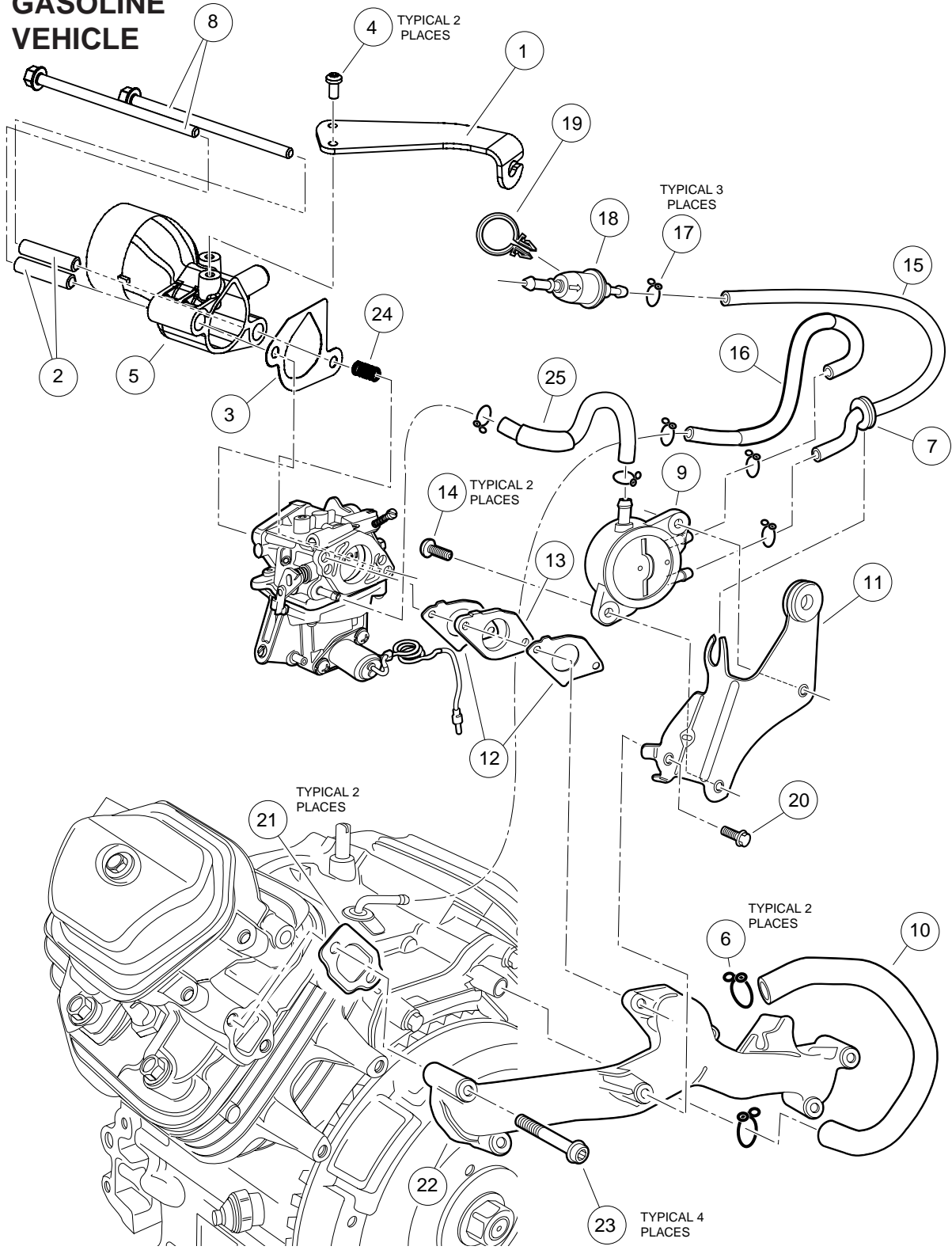
**10**  
**G**  
**D**

10

G

D

# GASOLINE VEHICLE



000021-001

# CARBURETOR INSTALLATION – HONDA GASOLINE VEHICLES

ITEM	PART NO.	DESCRIPTION	QTY
		1 2 3 4	
1	603 00 09-40	Bracket, Choke Cable .....	1
2	603 00 11-15	Insert, Adapter, Carburetor .....	2
3	603 00 11-82	Gasket, Adapter, Carburetor .....	1
4	603 00 13-01	Screw Tapping, M5 X 0.8x10 .....	2
5	603 00 13-13	Adapter, Intake Honda GX620 .....	1
6	603 00 14-70	Clip, Breather Tube .....	1
7	603 00 14-71	Grommet, Reserve Tank .....	1
8	603 00 14-72	Bolt, Flange Head, M6 X 1 X 120 .....	2
9	603 00 14-73	Pump Assy., Fuel, Sup .....	1
10	603 00 14-74	Tube, Breather .....	1
11	603 00 14-75	Stay, Fuel Pump .....	1
12	603 00 14-76	Gasket, Carburetor .....	2
13	603 00 14-77	Insulator, Carburetor .....	1
14	603 00 14-78	Srew-Washer, M6 X 16 .....	2
15	603 00 14-79	Tube B, Fuel .....	1
16	603 00 14-80	Tube, Diaphragm .....	1
17	603 00 14-81	Clip, Tube, B10 .....	3
18	603 00 00-37	Filter, Fuel .....	1
19	603 00 14-82	Clip, Wire Harness .....	1
20	603 00 14-83	Bolt, Flange Head, M6 X 11 X 4 .....	2
21	603 00 14-84	Gasket, Intake Manifold .....	2
22	603 00 14-85	Manifold, Inlet .....	1
23	603 00 14-86	Bolt, Socket, M8 X 1.25 X 45 .....	4
24	603 00 16-68	Spring, Continuity, Solenoid .....	1
25	603 00 16-97	Tube A, Fuel .....	1

**10**

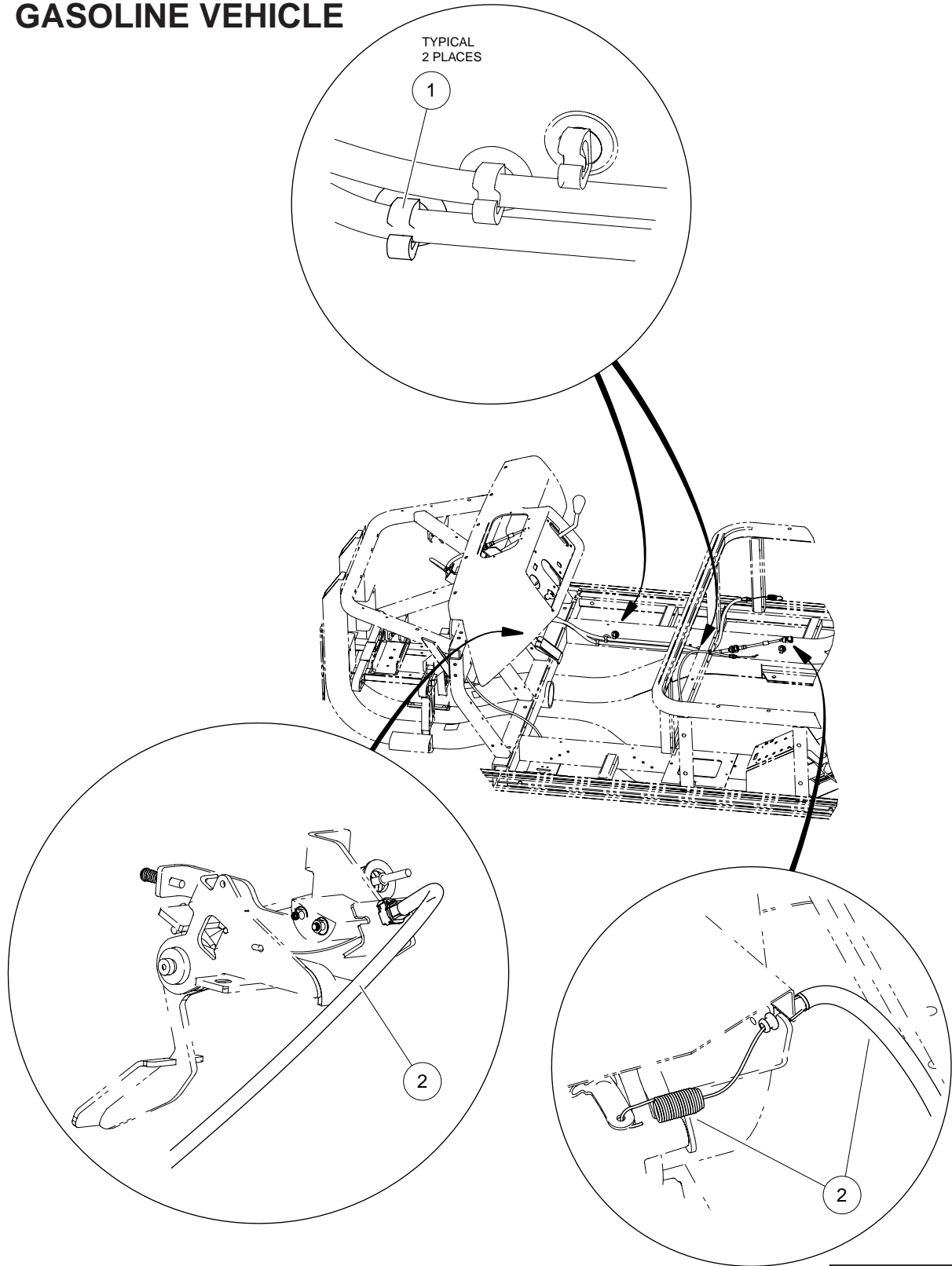
**G**

**D**

10  
G

D

# GASOLINE VEHICLE



000033-001

# GOVERNOR AND ACCELERATOR CABLES, GASOLINE VEHICLES

ITEM	PART NO.	DESCRIPTION	QTY
		1 2 3 4	
1	603 00 11-43	Clip, Brake Line .....	2
2	603 00 11-92	Cable, Accelerator, GX620 .....	1

10

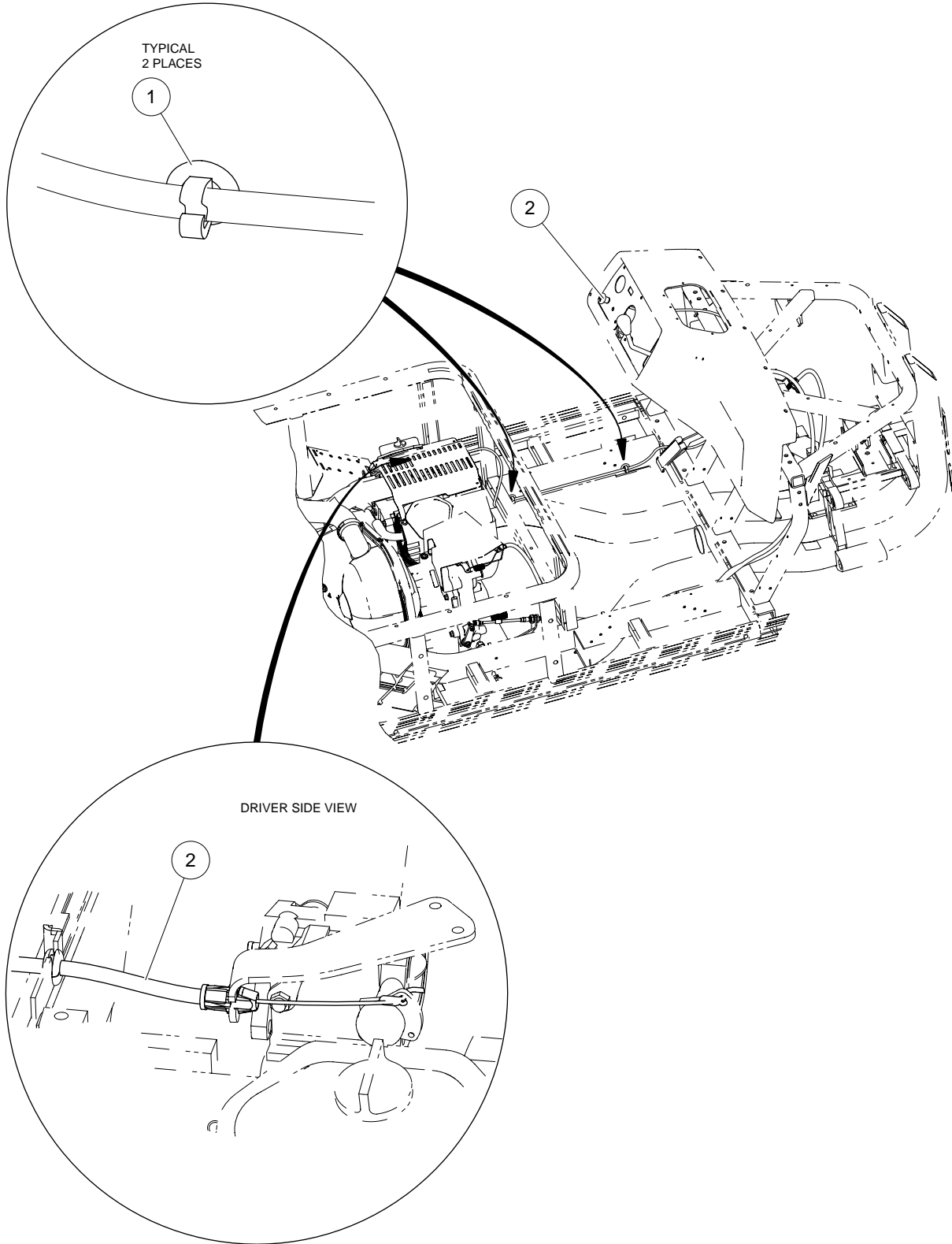
G

D

10  
G

D

# GASOLINE VEHICLE



000034-001



# CHOKE CABLE, GASOLINE VEHICLES

ITEM	PART NO.	DESCRIPTION	QTY
		1 2 3 4	
1	603 00 11-43	Clip, Brake Line .....	2
2	603 00 09-19	Cable, Choke .....	1

10

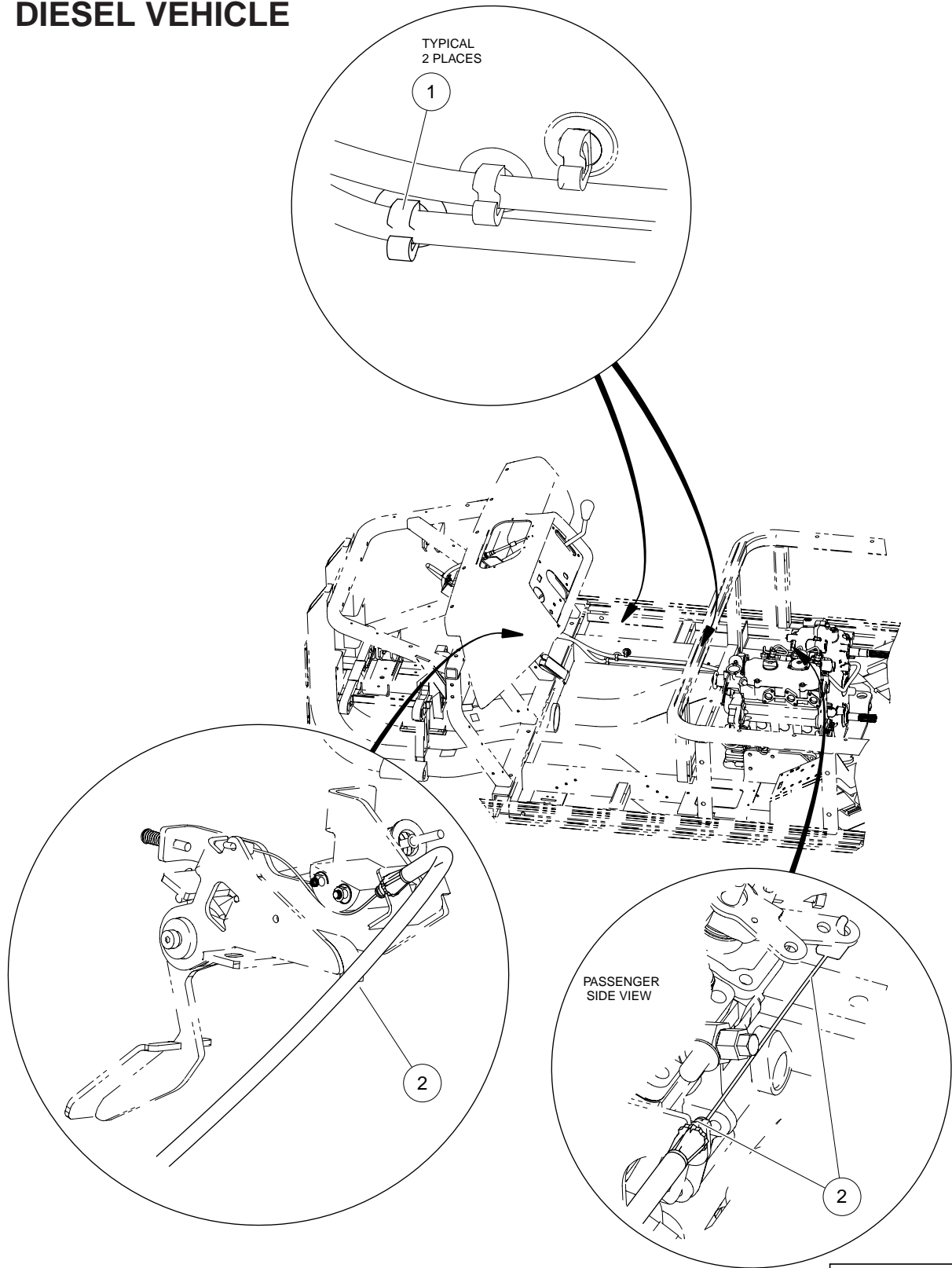
G

D

10  
G

# DIESEL VEHICLE

D



000035-001

# ACCELERATOR CABLE, DIESEL VEHICLES

ITEM	PART NO.	DESCRIPTION	QTY
		1 2 3 4	
1	603 00 11-43	Clip, Brake Line .....	2
2	603 00 11-93	Cable, Accelerator, Diesel .....	1

10

G

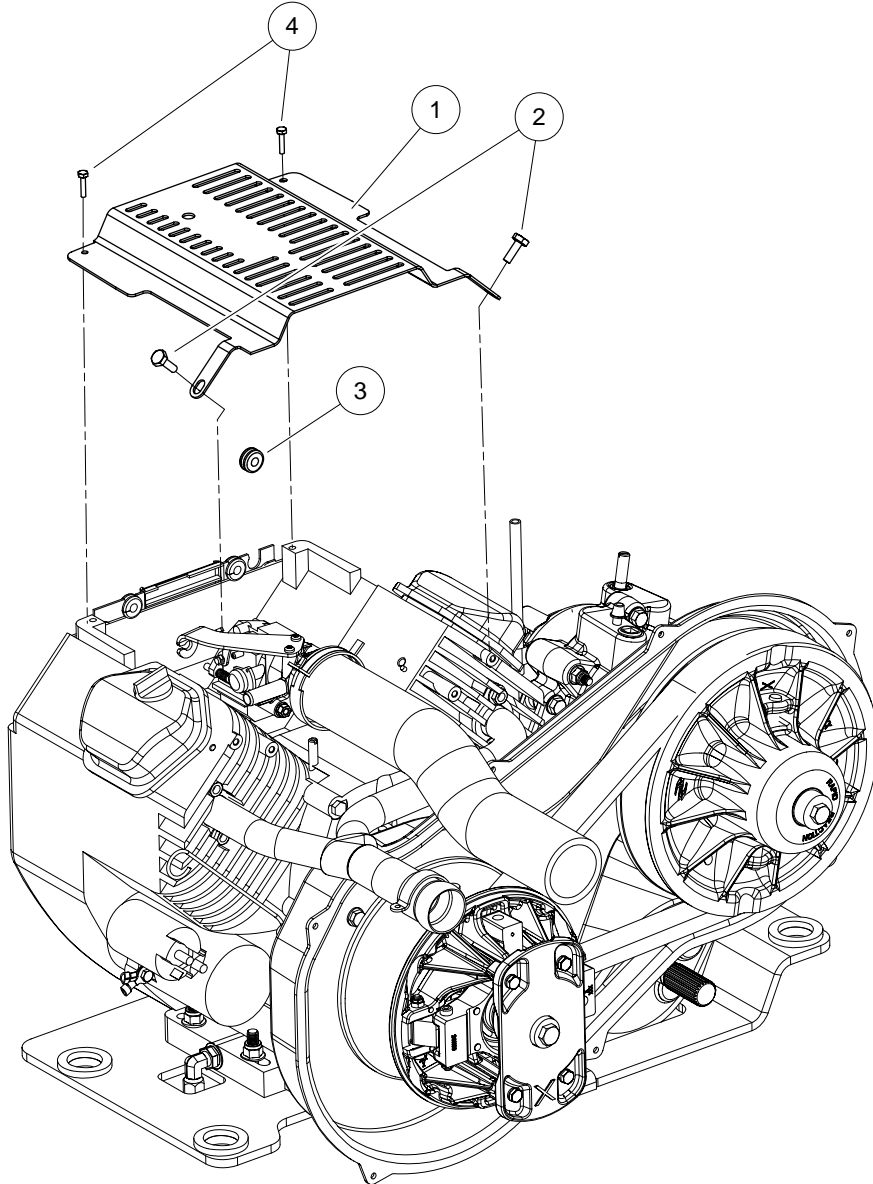
D

10

G

# GASOLINE VEHICLE

D



000085-001

# GOVERNOR COVER – GASOLINE VEHICLES

ITEM	PART NO.	DESCRIPTION	QTY
		1 2 3 4	
1	603 00 10-74	Cover, Engine, Honda .....	1
2	603 00 11-90	Bolt, M8 X 1.25 X 20 .....	2
3	603 00 16-66	Grommet, Split, 50 Durometer .....	2
4	603 00 04-44	Bolt, M5 X .8 X 20 .....	2

10

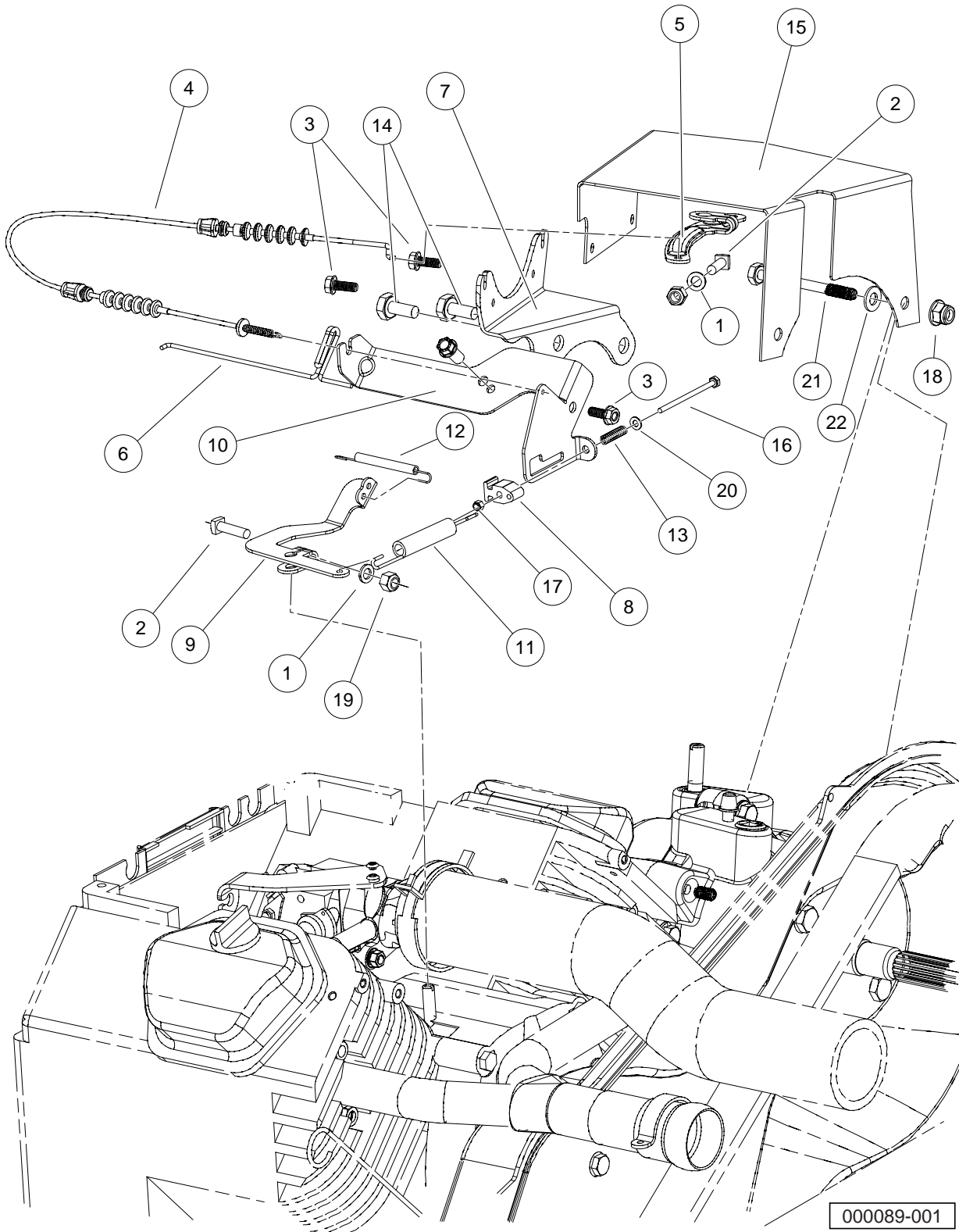
G

D

**10**  
**G**

# GASOLINE VEHICLE

**D**



# GOVERNOR SYSTEM – GASOLINE VEHICLES

ITEM	PART NO.	DESCRIPTION	QTY
		1 2 3 4	
1	603 00 01-94	Washer, 1/4 Flat .....	2
2	603 00 05-57	Screw, 1/4-20 X 1.00 Square-Head .....	2
3	603 00 08-74	Screw, M6 X 16 Tt Hx Fl Hd .....	3
4	603 00 09-97	Cable, Engine Governor .....	1
5	603 00 10-12	Bracket, Governor, Arm, Trans .....	1
6	603 00 10-13	Wire, Governor .....	1
7	603 00 10-75	Bracket, Governor, Trans Cable .....	1
8	603 00 10-77	Adjuster, Spring, Idle .....	1
9	603 00 10-88	Bracket, Arm, Gov, Engine .....	1
10	603 00 10-89	Bracket, Cable, Gov, Engine .....	1
11	603 00 10-94	Spring .....	1
12	603 00 10-95	Spring, Carb .....	1
13	603 00 10-96	Spring, Compression, Adj, Idle .....	1
14	603 00 11-65	Bolt, M10 X 1.5 X 20 Loctite .....	2
15	603 00 11-94	Guard, Governor, Ground Speed .....	1
16	603 00 12-96	Bolt, M4 X .7 X 60 .....	1
17	603 00 12-97	Nut Flg, M4 X 0.7 Mech Def .....	1
18	603 00 13-08	Lock Nut, Flg M8 X 1.25 Nylon .....	1
19	603 00 00-89	Locknut, 1/4-20 Nylon Insert .....	2
20	603 00 04-47	Washer, M4 .....	1
21	603 00 04-49	Bolt, M8 X 1.25 X 80 .....	1
22	603 00 04-50	Washer, M8 Hard .....	1

10

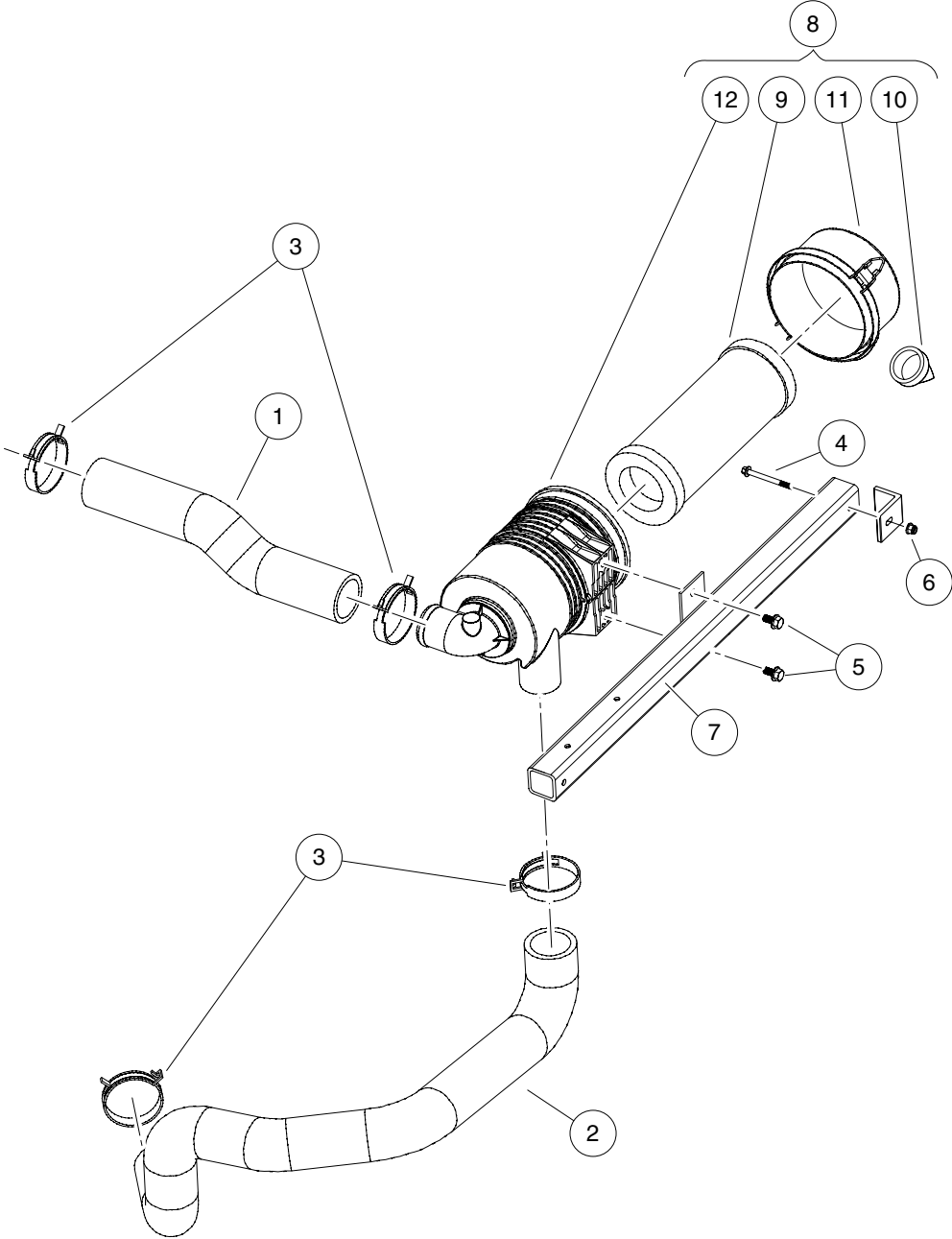
G

D

10  
G

# GASOLINE VEHICLE

D



000090-001



# INTAKE DUCT AND AIR BOX ASSEMBLY – HONDA GASOLINE VEHICLES

ITEM	PART NO.	DESCRIPTION	QTY
		1 2 3 4	
1	603 00 09-31	Hose, Intake, GX620 .....	1
2	603 00 09-43	Hose, Intake, Primary .....	1
3	603 00 09-76	Clamp, Hose, Ctb 64mm .....	4
4	603 00 11-98	Bolt, M 6 X 1.0 X 65 Hex, Flange, Head, Black .....	2
5	603 00 13-15	Bolt Flanged Head, M8 X1.25x 16 with Loctite .....	2
6	603 00 13-17	Nut Flg, M6 X 1.0 Nylon .....	2
7	N/A	Weldment, Support, Air Cleaner .....	1
8	603 00 09-33	Filter, Air, Canister, W/labe (includes items 9 through 12) .....	1
9	603 00 00-10	Element, Filter, Air, 5 In .....	1
10	603 00 16-98	Valve, Evacuator, Filter Air .....	1
11	603 00 16-99	Cap, Latch Lock, Filter, Air .....	1
12	N/A	Body, Canister, Filter, Air .....	1

10

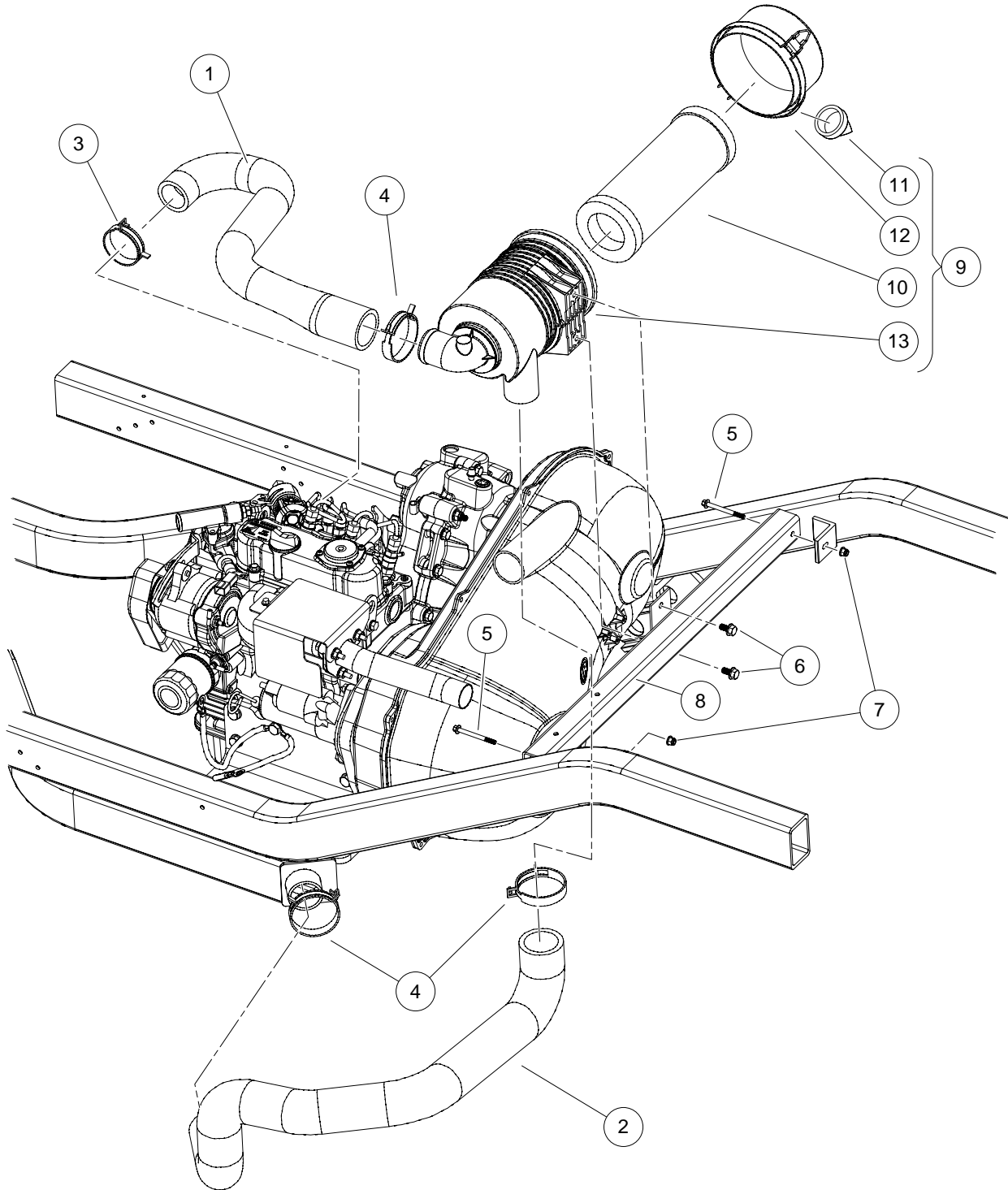
G

D

10  
G

# DIESEL VEHICLE

D



000090-002

# INTAKE DUCT AND AIR BOX ASSEMBLY – DIESEL VEHICLES

ITEM	PART NO.	DESCRIPTION	QTY
		1 2 3 4	
1	603 00 09-32	Hose, Intake, D722 .....	1
2	603 00 09-43	Hose, Intake, Primary .....	1
3	603 00 09-75	Clamp, Hose, Ctb 55mm .....	1
4	603 00 09-76	Clamp, Hose, Ctb 64mm .....	3
5	603 00 11-98	Bolt, M 6 X 1.0 X 65 Hex, Flange, Head, Black .....	2
6	603 00 13-15	Bolt Flanged Head, M8 X1.25x 16 with Loctite .....	2
7	603 00 13-17	Nut Flg, M6 X 1.0 Nylon .....	2
8	N/A	Weldment, Support, Air Cleaner .....	1
9	603 00 09-33	Filter, Air, Canister, W/labe (includes items 10 through 13) .....	1
10	603 00 00-10	Element, Filter, Air, 5 In .....	1
11	603 00 16-98	Valve, Evacuator, Filter Air .....	1
12	603 00 16-99	Cap, Latch Lock, Filter, Air .....	1
13	N/A	Body, Canister, Filter, Air .....	1

**10**

**G**

**D**

**10**

**G**

**D**