

EXHAUST SYSTEM

11

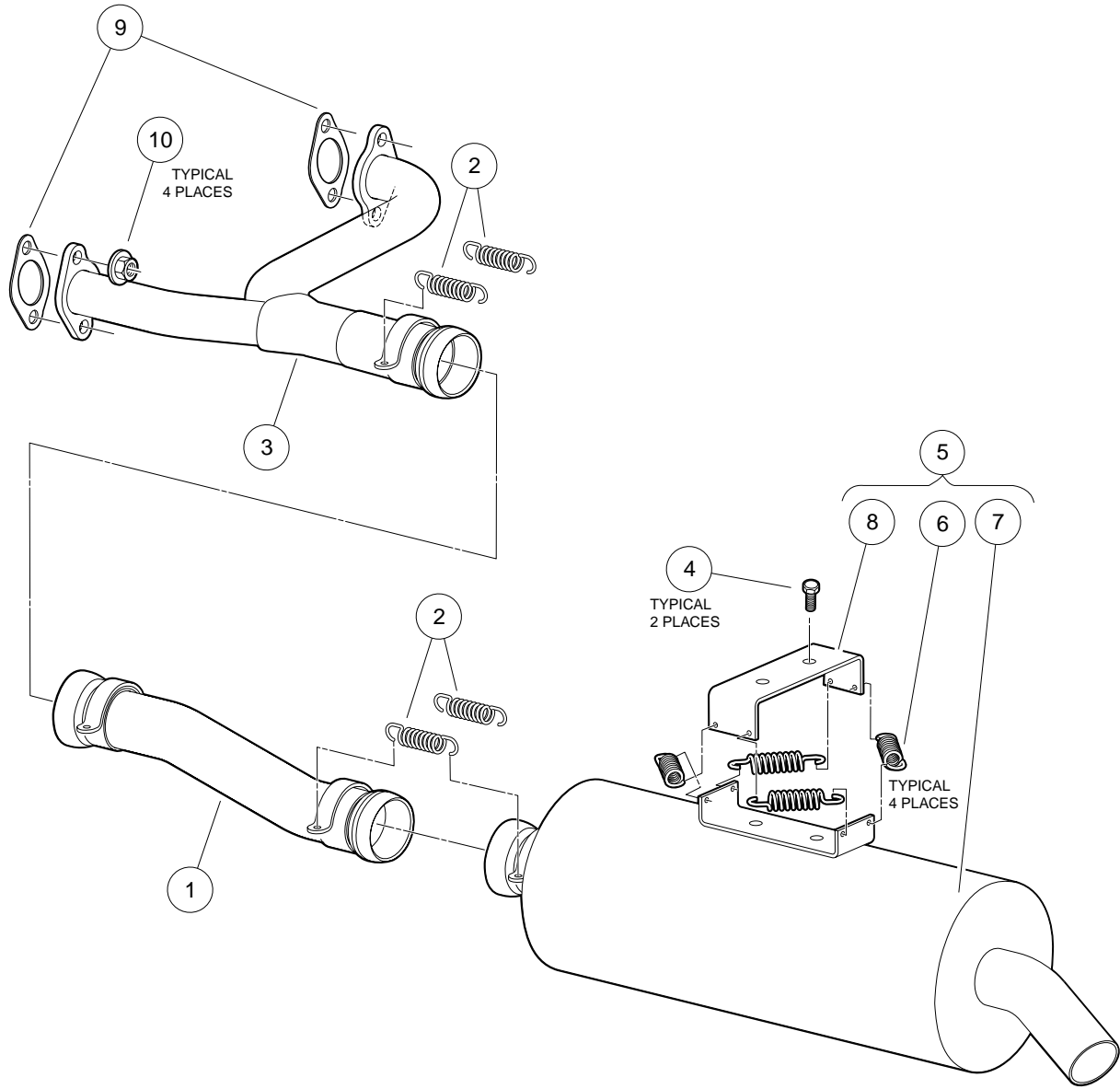
G

D

11

G

D



000075-001

EXHAUST SYSTEM, GASOLINE VEHICLES

ITEM	PART NO.	DESCRIPTION	QTY
		1 2 3 4	
1	603 00 09-59	Pipe, Exhaust Intermediate	1
2	603 00 09-60	Spring, Exhaust	4
3	603 00 09-61	Header, Exhaust, Gas	1
4	603 00 13-15	Bolt Flanged Head, M8 X1.25x 16 with Loctite	2
5	603 00 29-47	Asm, Muffler, AWD Homologation (includes items 6 through 8)	1
6	603 00 09-60	Spring, Exhaust	4
7	N/A	Muffler	1
8	N/A	Bracket, Muffler	1
9	603 00 09-62	Gasket, Exhaust, Gx620	2
10	603 00 05-12	Nut Flg, M8 X 1.25 Serrated	4

11

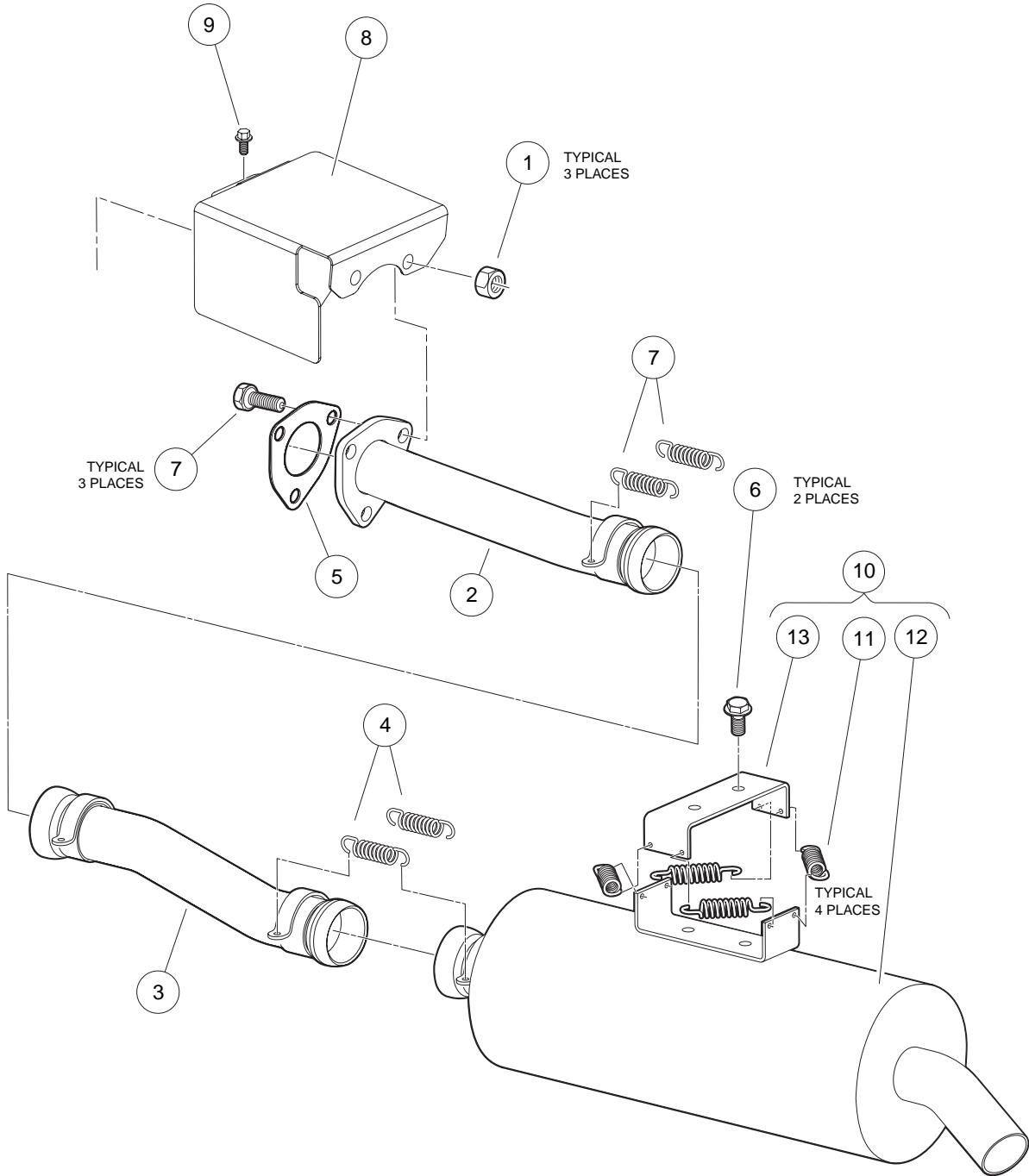
G

D

11
G

DIESEL VEHICLE

D



000075-002

EXHAUST SYSTEM, DIESEL VEHICLES

ITEM	PART NO.	DESCRIPTION	QTY
		1 2 3 4	
1	603 00 12-98	Nut,m8,all Metal Lock	3
2	603 00 09-58	Pipe, Exhaust Diesel Main	1
3	603 00 09-59	Pipe, Exhaust Intermediate	1
4	603 00 09-60	Spring, Exhaust	4
5	603 00 09-96	Gasket, Exhaust Diesel	1
6	603 00 13-15	Bolt Flanged Head, M8 X1.25x 16 with Loctite	2
7	603 00 13-16	Bolt, M8 X 1.25 X 40 with Loctite	3
8	603 00 13-24	Shield, Diesel Exhaust	1
9	603 00 17-53	Bolt, D722, Exhst Manfld Cover	1
10	603 00 29-47	Asm, Muffler, AWD Homologation (includes items 11 through 13)	1
11	603 00 09-60	Spring, Exhaust	4
12	N/A	Muffler	1
13	N/A	Bracket, Muffler	1

11

G

D

11

G

D

CLUTCHES

12

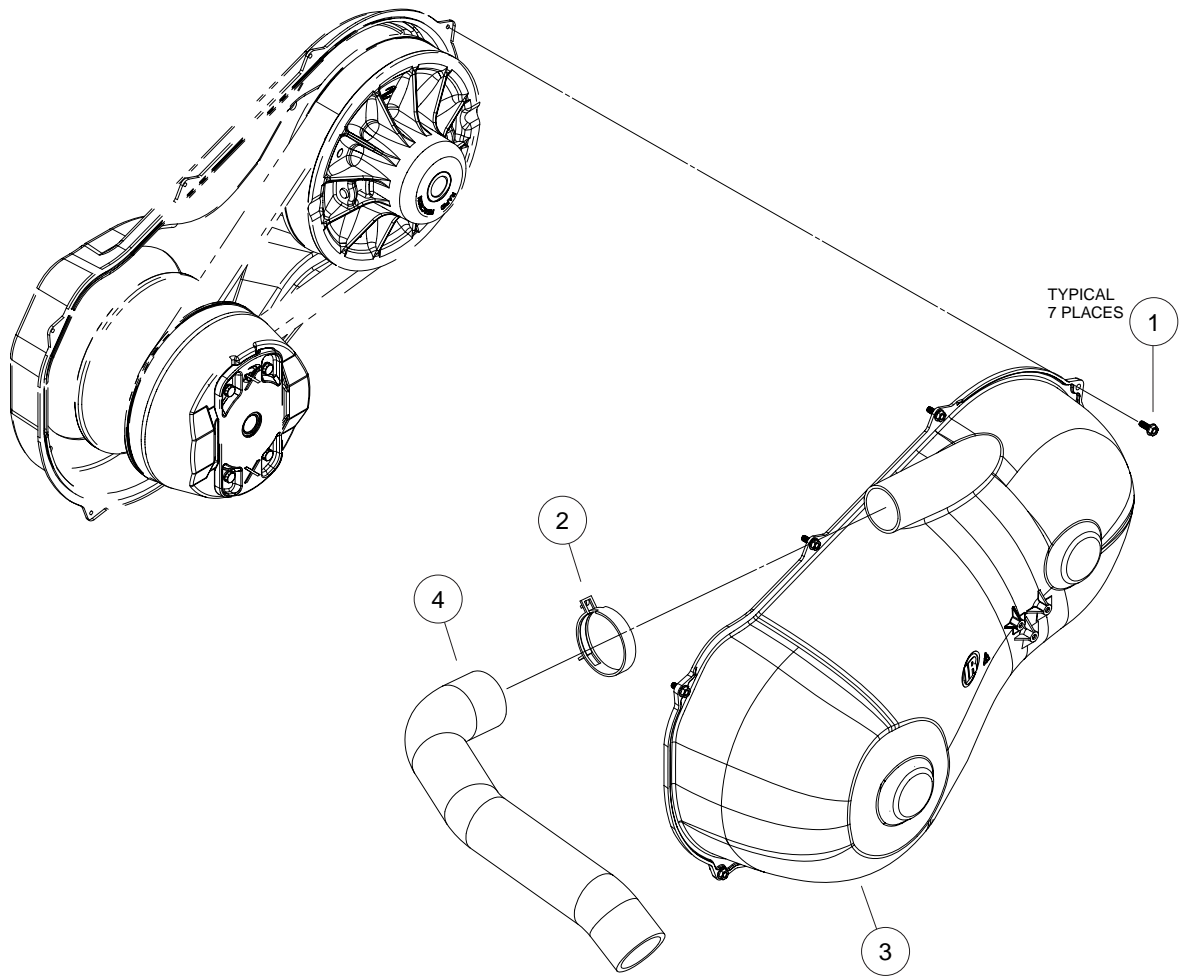
G

D

12

G

D



000008-002

CLUTCH COVER (STANDARD)

ITEM	PART NO.	DESCRIPTION	QTY
		1 2 3 4	
1	603 00 08-74	Screw, M6 X 16 Tt Hx Fl Hd	7
2	603 00 09-76	Clamp, Hose, Ctb 64mm	1
3	603 00 09-83	Cover, CVT Outer	1
4	603 00 44-12	Hose, Outlet, Cvt	1

12

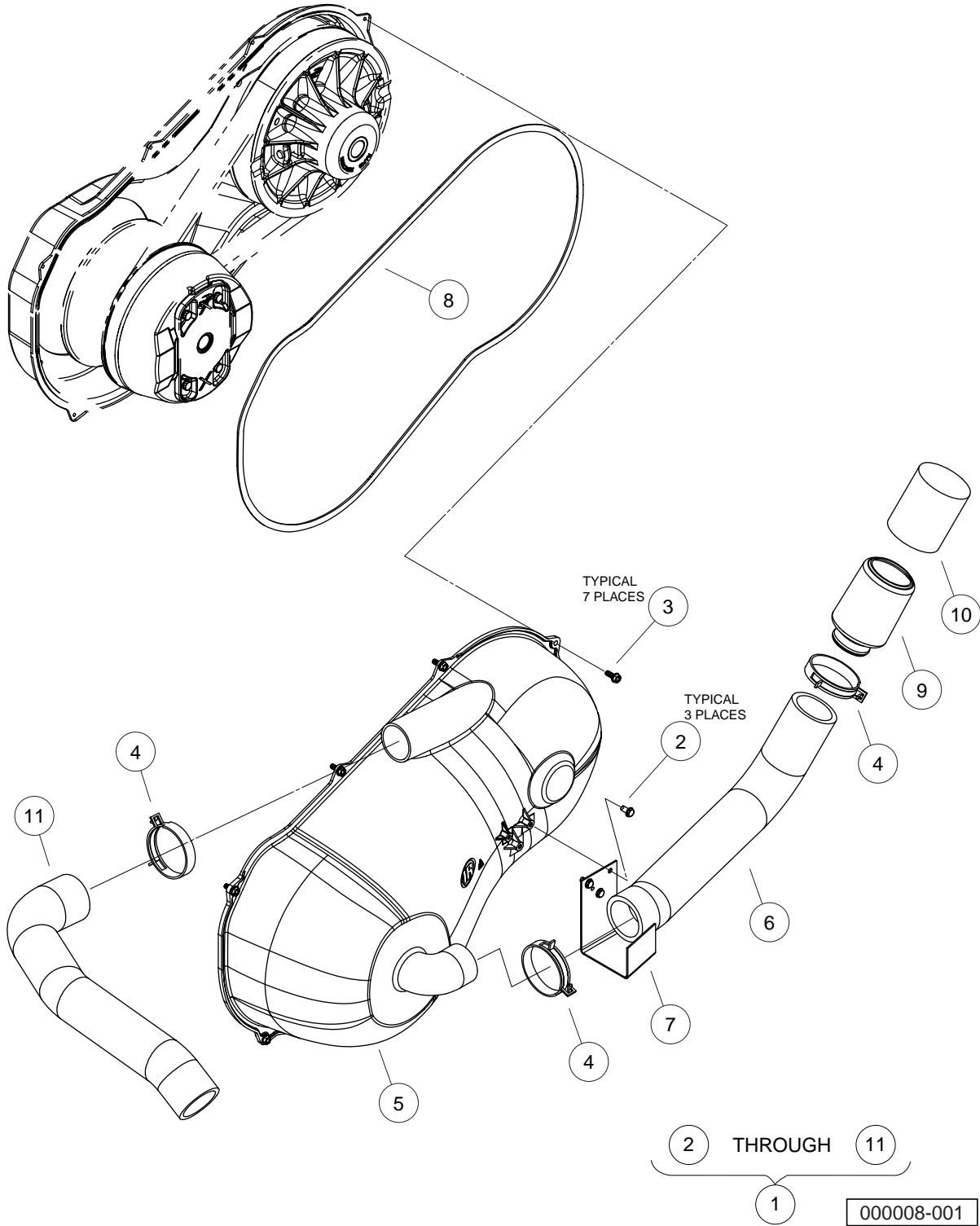
G

D

12

G

D



CLUTCH COVER (SEALED)

ITEM	PART NO.	DESCRIPTION	QTY
		1 2 3 4	
1	531 30 07-38	Kit, Sealed CVT Cover (includes items 2 through 11)	1
2	603 00 05-26	Screw, 1/4-15 X 1.50 Hi-lo Hex	3
3	603 00 08-74	Screw, M6 X 16 Tt Hx FI Hd	7
4	603 00 09-76	Clamp, Hose, Ctb 64mm	3
5	603 00 09-83	Cover, CVT Outer	1
6	603 00 11-56	Hose, Inlet, Cover, CVT	1
7	603 00 11-58	Bracket, Inlet, Cover, CVT	1
8	603 00 11-59	Gasket, Cover, CVT	1
9	603 00 12-91	Cap, Inlet, Cover, CVT	1
10	603 00 13-23	Filter, Inlet, Cover, CVT	1
11	603 00 44-12	Hose, Outlet, Cvt	1

12

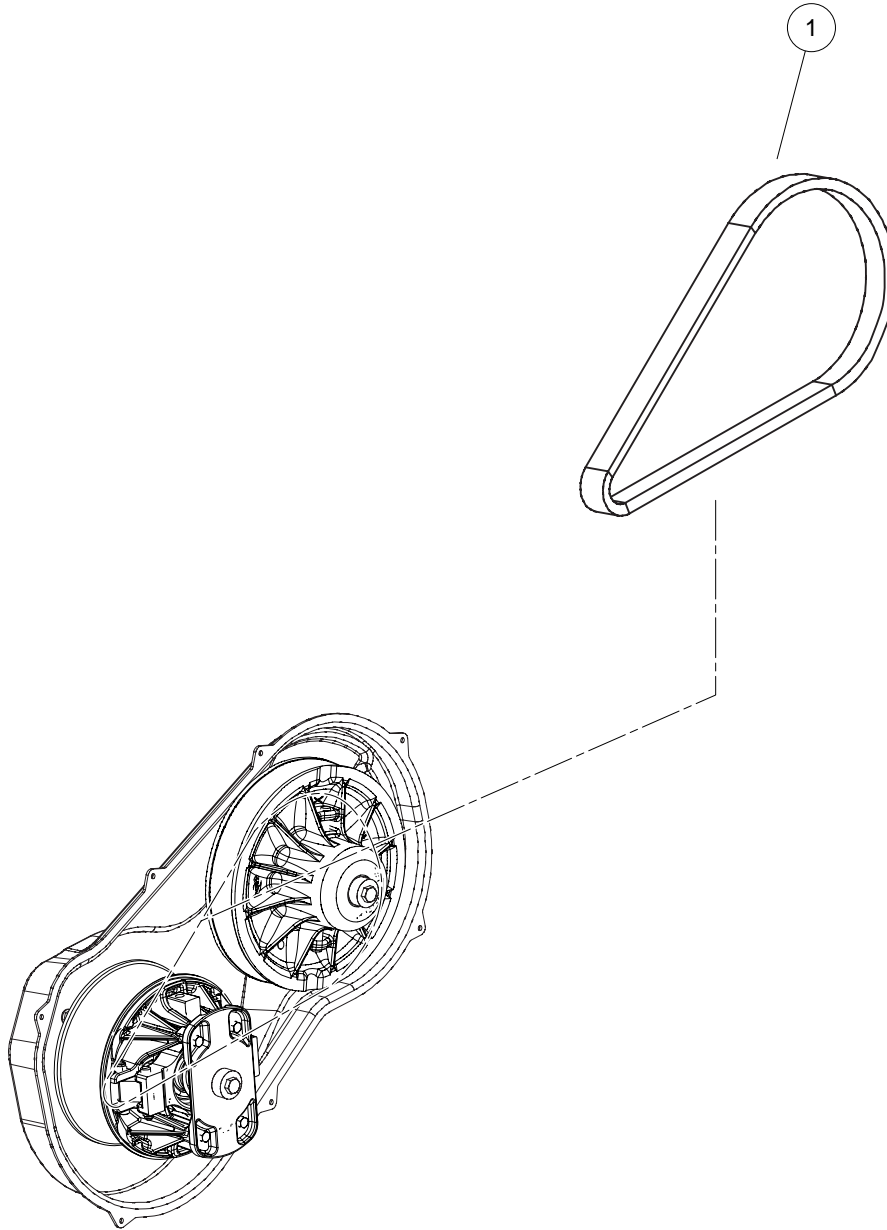
G

D

12

G

D



000084-001

DRIVE BELT

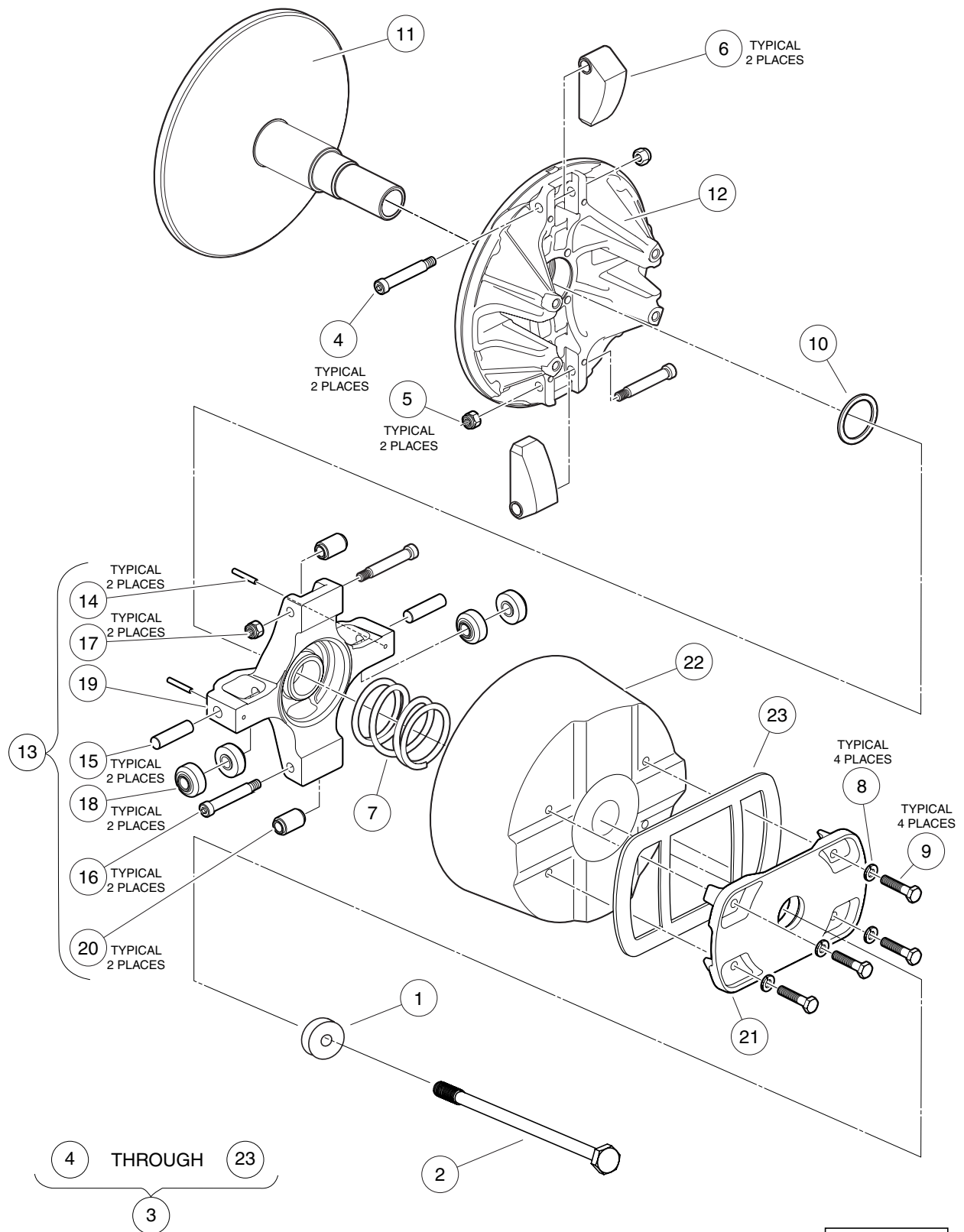
ITEM	PART NO.	DESCRIPTION	QTY
1	603 00 09-18	1 2 3 4 Belt, Drive	1

12
G
D

12

G

D



DRIVE CLUTCH – GASOLINE VEHICLES

ITEM	PART NO.	DESCRIPTION	QTY
		1 2 3 4	
1	603 00 09-38	Washer, Stepped	1
2	603 00 11-64	Bolt, M10x1.25x200 Loctite	1
3	603 00 09-82	Clutch, 4x4, Gas, W/cover (includes items 4 through 23)	1
4	603 00 16-11	Screw, Shlder Hex, .312 X 1.75	2
5	603 00 16-13	Nut, Lock Hex, 1/14-20, Flexlc	2
6	603 00 16-15	Sub Assy, Wt Clutch, Gas	2
7	603 00 16-16	Spring, Compression, Primary	1
8	603 00 16-17	Washer, Lock, H-Spring, 1/4	4
9	603 00 16-18	Screw, Cap, Hex Hd, 1/4 X 1.25	4
10	603 00 16-19	Shim, 1.63 X 1.33	A/R
11	N/A	Subassembly, Drive Clutch	1
12	N/A	Subassembly, Moveable, Drive Clutch	1
13	N/A	Spider Subassembly (Gasoline) (includes items 14 through 20)	1
14	603 00 16-08	Pin, Spring Slotted, 1.25 X 1.0	2
15	603 00 16-09	Pin, Dowel, .375 X 1.50	2
16	603 00 16-11	Screw, Shlder Hex, .312 X 1.75	2
17	603 00 16-13	Nut, Lock Hex, 1/14-20, Flexlc	2
18	603 00 16-20	Roller, Torque, Gas	4
19	N/A	Spider, Drive Clutch	1
20	603 00 16-12	Sub Assy, Roller Weight	2
21	N/A	Cover, Drive Clutch	1
22	531 30 81-40	Cover, Clutch, 4x4	1
23	531 30 81-39	Gasket, Cover, Clutch, 4x4	1

12

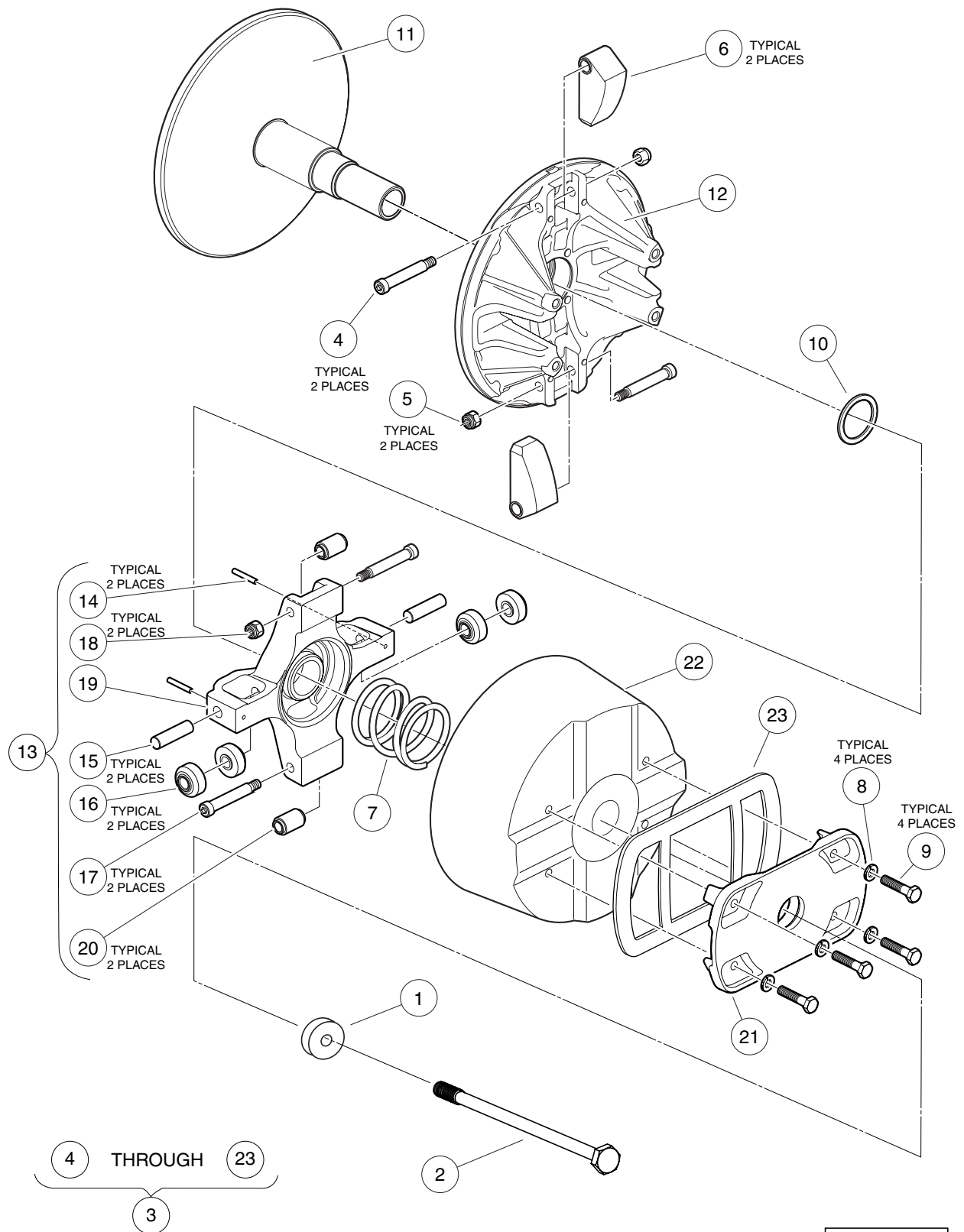
G

D

12

G

D



DRIVE CLUTCH – DIESEL VEHICLES

ITEM	PART NO.	DESCRIPTION	QTY
		1 2 3 4	
1	603 00 09-38	Washer, Stepped	1
2	603 00 12-94	Bolt, M10 X 1.5 X 160	1
3	603 00 30-09	Clutch, 4x4, Diesel, W/cover (includes items 4 through 23)	1
4	603 00 16-11	Screw, Shlder Hex, .312 X 1.75	2
5	603 00 16-13	Nut, Lock Hex, 1/14-20, Flexlc	2
6	603 00 16-14	Sub Assy, Wt Clutch, Diesel	2
7	603 00 16-16	Spring, Compression, Primary	1
8	603 00 16-17	Washer, Lock, H-Spring, 1/4	4
9	603 00 16-18	Screw, Cap, Hex Hd, 1/4 X 1.25	4
10	603 00 16-19	Shim, 1.63 X 1.33	A/R
11	N/A	Subassembly, Drive Clutch	1
12	N/A	Subassembly, Moveable, Drive Clutch	1
13	N/A	Subassembly, Spider Utility, Diesel (includes items 14 through 20)	1
14	603 00 16-08	Pin, Spring Slotted, 1.25 X 1.0	2
15	603 00 16-09	Pin, Dowel, .375 X 1.50	2
16	603 00 16-10	Roller, Torque, Diesel	4
17	603 00 16-11	Screw, Shlder Hex, .312 X 1.75	2
18	603 00 16-13	Nut, Lock Hex, 1/14-20, Flexlc	2
19	N/A	Spider, Drive Clutch	1
20	603 00 16-12	Sub Assy, Roller Weight	2
21	N/A	Cover, Drive Clutch	1
22	531 30 81-40	Cover, Clutch, 4x4	1
23	531 30 81-39	Gasket, Cover, Clutch, 4x4	1

12

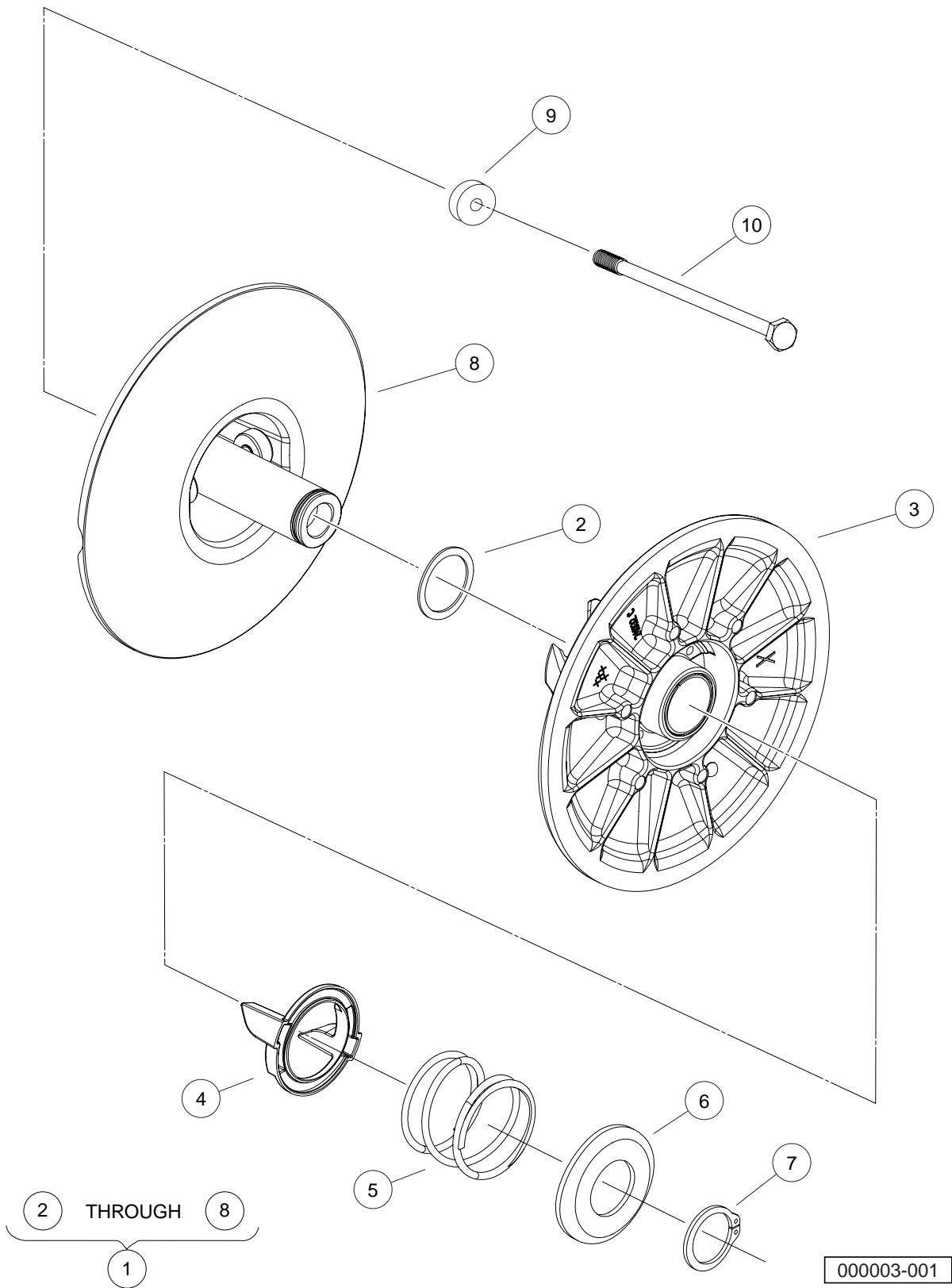
G

D

12

G

D



000003-001

DRIVEN CLUTCH

ITEM	PART NO.	DESCRIPTION	QTY
		1 2 3 4	
1	603 00 09-06	CVT, Secondary (includes items 2 through 8)	1
2	603 00 16-35	Washer, Thrust, 1.53 X 1.92	1
3	N/A	Sheave, Driven Clutch	1
4	603 00 16-36	Retainer, Spring, Inner	1
5	603 00 16-37	Spring, Compression, Secondary	1
6	603 00 16-38	Retainer, Spring, Outer	1
7	603 00 16-39	Ring, Retaining, External	1
8	N/A	Driven Clutch Base Sheave	1
9	603 00 09-39	Washer, Stepped	1
10	603 00 11-69	Bolt, M10 X 1.5 X 100 Loctite	1

12
G
D

12

G

D

DRIVETRAIN COMPONENTS

13

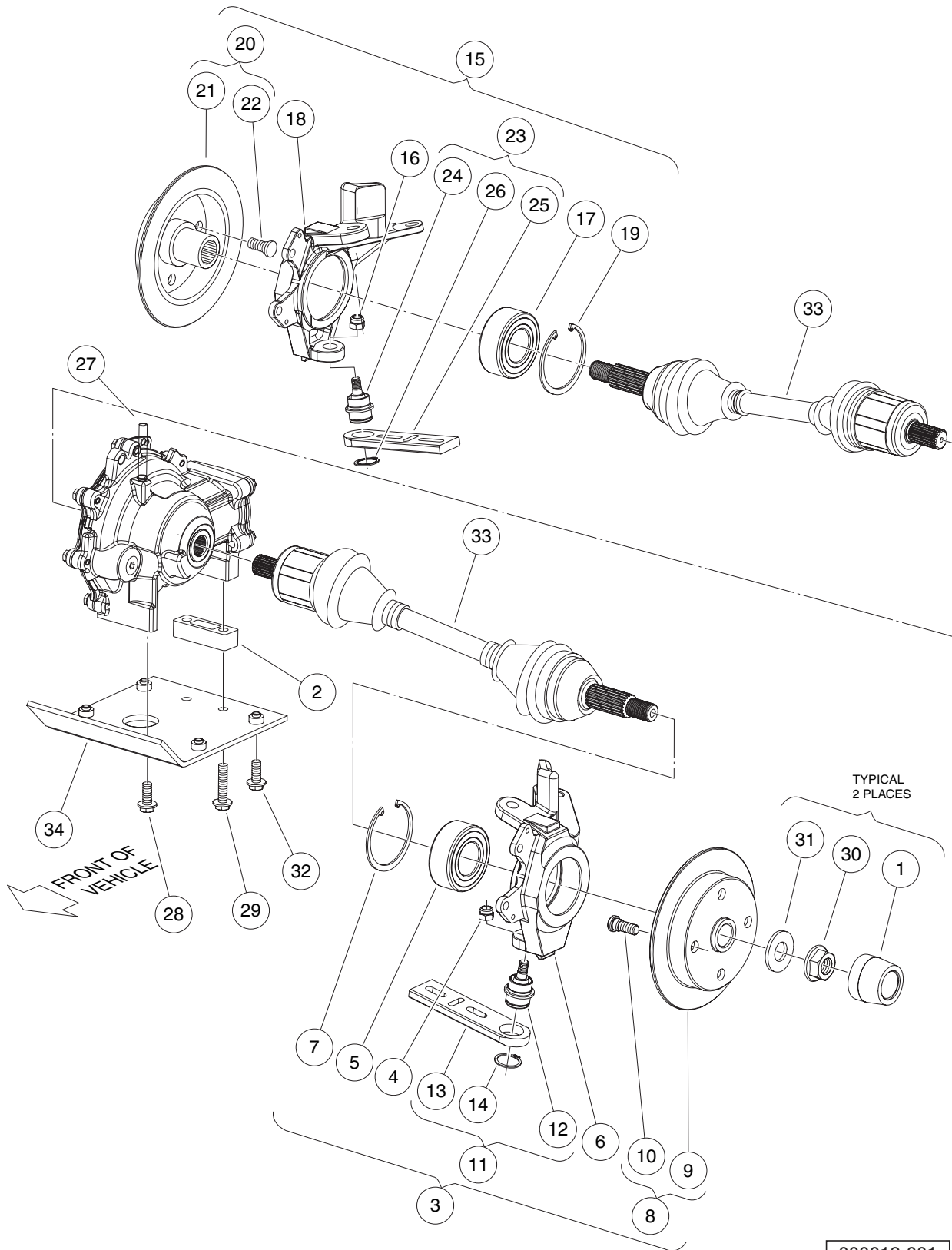
G

D

13

G

D



000012-001

FRONT DIFFERENTIAL MOUNTING AND HALF SHAFTS

ITEM	PART NO.	DESCRIPTION	QTY
		1 2 3 4	
1	603 00 08-66	Center Cap, Rubber	2
2	603 00 09-36	Spacer Block, Diff	1
3	603 00 10-19	Upright Sub-Assembly, LH (includes items 4 through 11)	1
4	603 00 06-84	Locknut, M12-1.25 Nylon	1
5	603 00 08-99	Bearing	1
6	N/A	Upright, Left	1
7	603 00 09-17	Internal Retaining Ring, 80mm Bore	1
8	603 00 09-25	Assy, Rotor, Brake, Front (includes items 9 and 10)	1
9	N/A	Rotor, Brake, Front	1
10	603 00 11-44	Stud, Wheel Lug	4
11	603 00 11-53	Asm, Adjuster, Slide (includes items 12 through 14)	1
12	603 00 08-91	Joint, Ball	1
13	603 00 10-64	Slide, Adjuster	1
14	603 00 16-84	Ring, Retaining, Ext, 1-1/4"	1
15	603 00 10-20	Upright Sub-Assembly, RH (includes items 16 through 23)	1
16	603 00 06-84	Locknut, M12-1.25 Nylon	1
17	603 00 08-99	Bearing	1
18	N/A	Upright, Right	1
19	603 00 09-17	Internal Retaining Ring, 80mm Bore	1
20	603 00 09-25	Assy, Rotor, Brake, Front (includes items 21 and 22)	1
21	N/A	Rotor, Brake, Front	1
22	603 00 11-44	Stud, Wheel Lug	4
23	603 00 11-53	Asm, Adjuster, Slide (includes items 24 through 26)	1
24	603 00 08-91	Joint, Ball	1
25	603 00 10-64	Slide, Adjuster	1
26	603 00 16-84	Ring, Retaining, Ext, 1-1/4"	1
27	603 00 11-12	Hose, Vent, Front Diff	1
28	603 00 11-71	Bolt Flanged Head, 3/8-16x1.0 with Loctite	2
29	603 00 11-72	Bolt Flanged Head, 3/8-16x1.500 with Loctite	2
30	603 00 13-02	Nut Flg, M22 X 1.5 Mech Def	2
31	603 00 13-04	Washer Hard, M22	2
32	603 00 16-69	Bolt, Flange Head, M10 X 1.5 X 25	4
33	531 30 95-44	Shaft, Half	2
34	603 00 35-62	Asm, Mount, Diff Plate	1

13

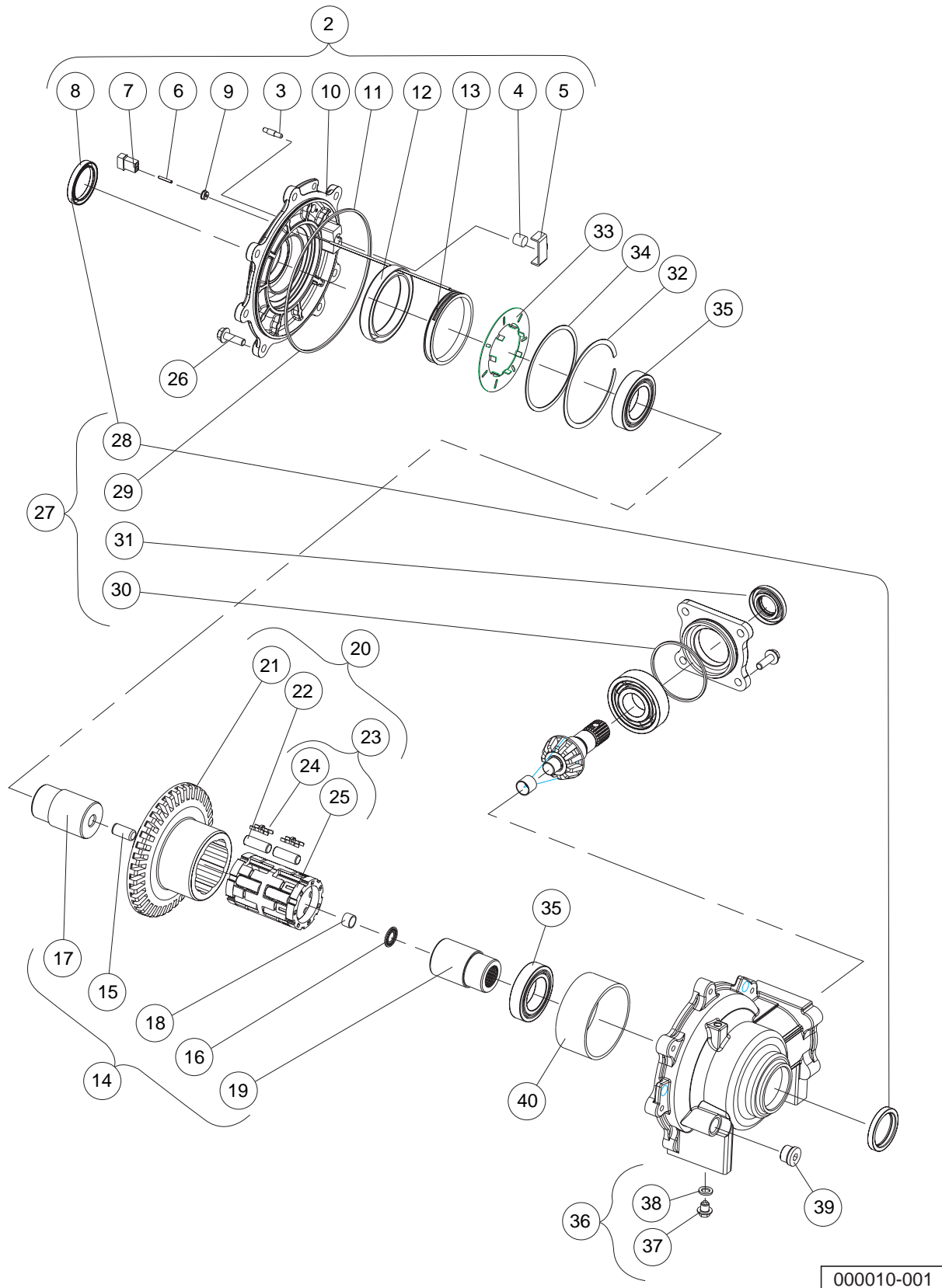
G

D

13

G

D



FRONT DIFFERENTIAL (OUTPUT COMPONENTS)

ITEM	PART NO.	DESCRIPTION	QTY
		1 2 3 4	
1	603 00 09-13	Differential, Front * (includes items 2 through 40)	1
2	603 00 10-26	Kit, Assy, Output Cover Plate (includes items 3 through 13)	1
3	603 00 10-34	Set Screw, #10-24 UNC-3A with Patch	1
4	603 00 10-35	Thrust Button	1
5	603 00 10-36	Thrust Plate	1
6	N/A	Mate-N-Lock Pin	2
7	N/A	Mate-N-Lock Housing	1
8	N/A	Oil Seal	1
9	N/A	Grommet	1
10	N/A	Plate, Output Cover	1
11	N/A	O-Ring	1
12	N/A	Coil, Pocket Insert	1
13	N/A	Coil with Press-Fit Bobbin	1
14	603 00 10-27	Kit, Assy, Race Output Hub (includes items 15 through 19)	1
15	603 00 10-38	Pin, Dowel	1
16	603 00 10-39	Bearing, Needle	1
17	N/A	Race/Output Hub, Male	1
18	N/A	Bushing, PermiGlide	1
19	N/A	Race/Output Hub, Female	1
20	603 00 10-28	Kit, Assy, Clutch (includes items 21 through 23)	1
21	603 00 10-40	Clutch Hsg/Ring Gear, Machined	1
22	603 00 10-41	Kit, Roller (contains 14 rollers)	1
23	603 00 10-42	Kit, Assy, Roll Cage (includes items 24 and 25)	1
24	N/A	Kit, H-Clip Spring (contains 14 clips)	1
25	N/A	Roll Cage, Plastic	1
26	603 00 10-29	Kit, Bolt (contains 7 bolts)	1
27	603 00 10-30	Kit, Minor Repair (includes items 28 through 31)	1
28	N/A	Oil Seal	1
29	N/A	O-Ring	1
30	N/A	O-Ring	1
31	N/A	Oil Seal, Triple-Lipped	1
32	603 00 10-31	Retaining, Ring Internal	1
33	603 00 10-32	Plate, Armature	1
34	603 00 10-33	Shim, Armature, Plate	1
35	603 00 10-37	Bearing, Ball	12
36	603 00 10-43	Kit, Assy, Drain Plug (includes items 37 and 38)	1
37	N/A	Plug, Oil Drain	1
38	N/A	Washer, Nylon, 0.625 x 0.382 x 0.06	1
39	603 00 10-45	Plug, Oil Fill	1
40	N/A	Bushing, Self-Lubricating, 80 x 85 x 20	1
<p>* Note: This assembly also contains components listed on the following two pages.</p>			

13

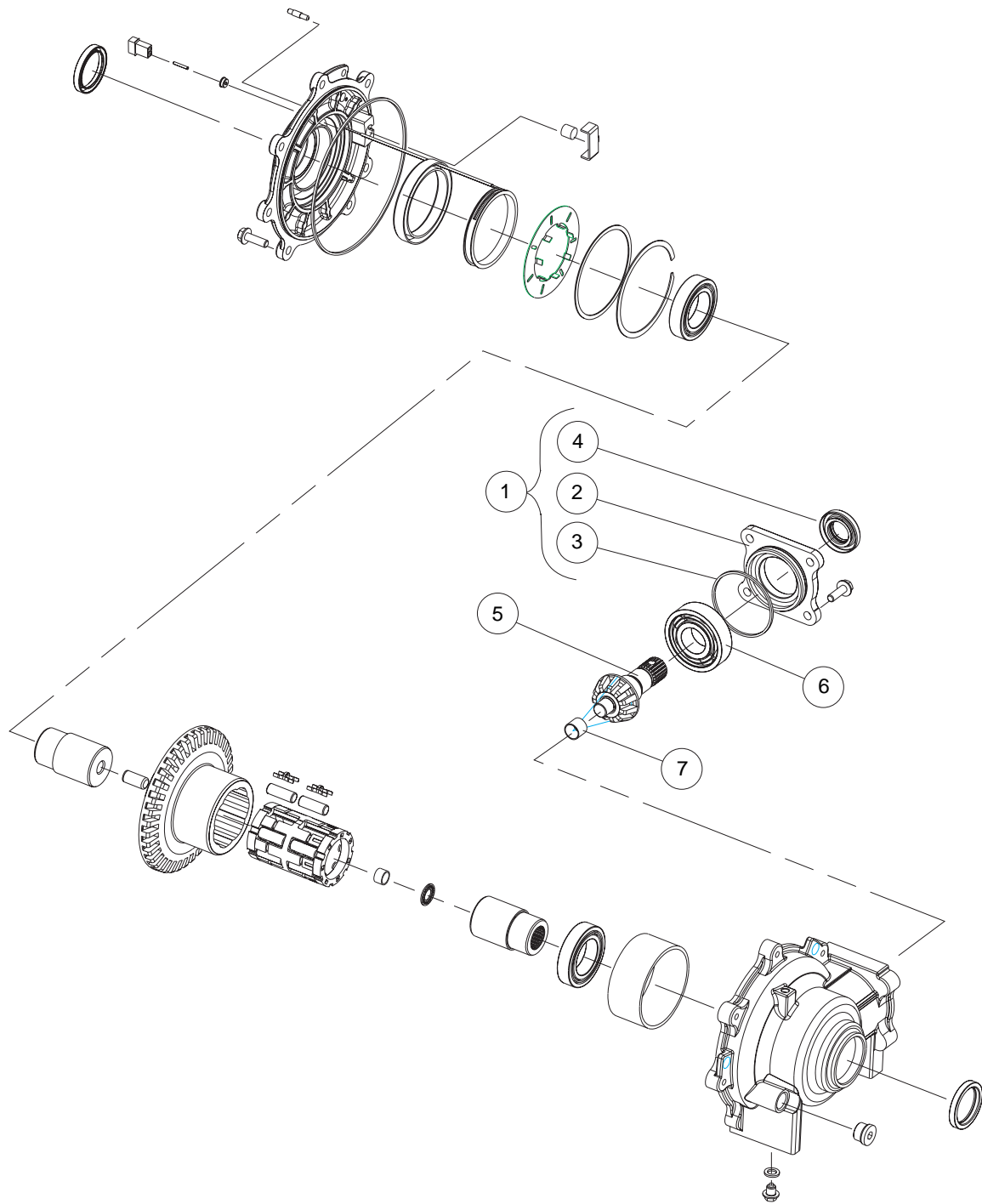
G

D

13

G

D



000010-002

FRONT DIFFERENTIAL (INPUT COMPONENTS)

ITEM	PART NO.	DESCRIPTION	QTY
		1 2 3 4	
1	603 00 10-44	Kit, Assy, Input Cover Plate (includes items 2 through 4)	1
2	603 00 10-48	Cover, Input, Machined	1
3	N/A	O-Ring	1
4	N/A	Oil Seal, Triple-Lipped	1
5	603 00 10-46	Shaft, Pinion, Machined	1
6	603 00 10-47	Bearing, Ball	1
7	603 00 35-63	Bushing, Plain 16 Id X 15 Wide	1
<p style="text-align: center;">Note: This page contains a list of components internal to the front differential. See the previous pages for other front differential components.</p>			

13

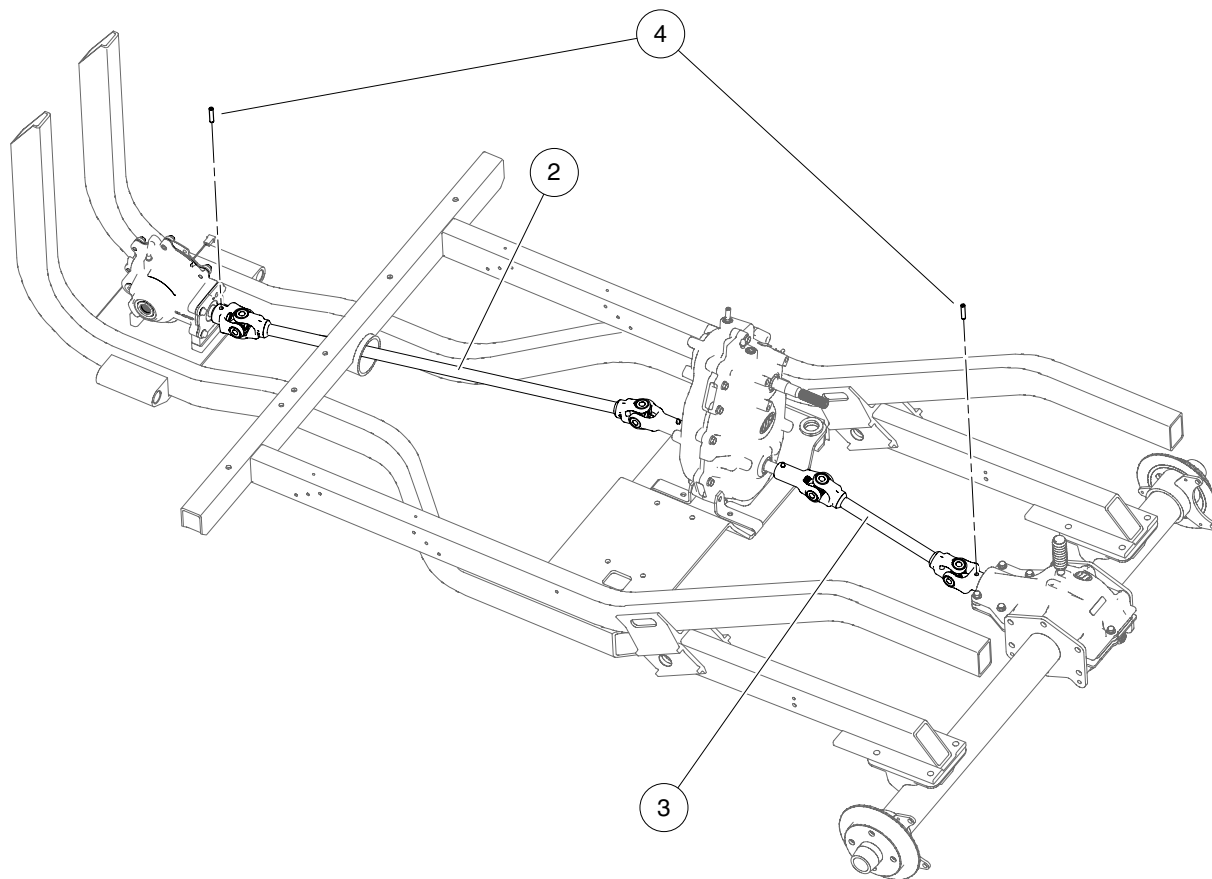
G

D

13

G

D



000091-001

PROP SHAFTS

ITEM	PART NO.	DESCRIPTION	QTY
		1 2 3 4	
1	N/A	Inst, Prop Shafts, Awd (includes items 2 through 4)	1
2	603 00 09-12	Prop Shaft, Front	1
3	603 00 09-15	Prop Shaft, Rear	1
4	603 00 04-36	Pin, Spring, 5/16 X 1-1/2 Hd	2

13

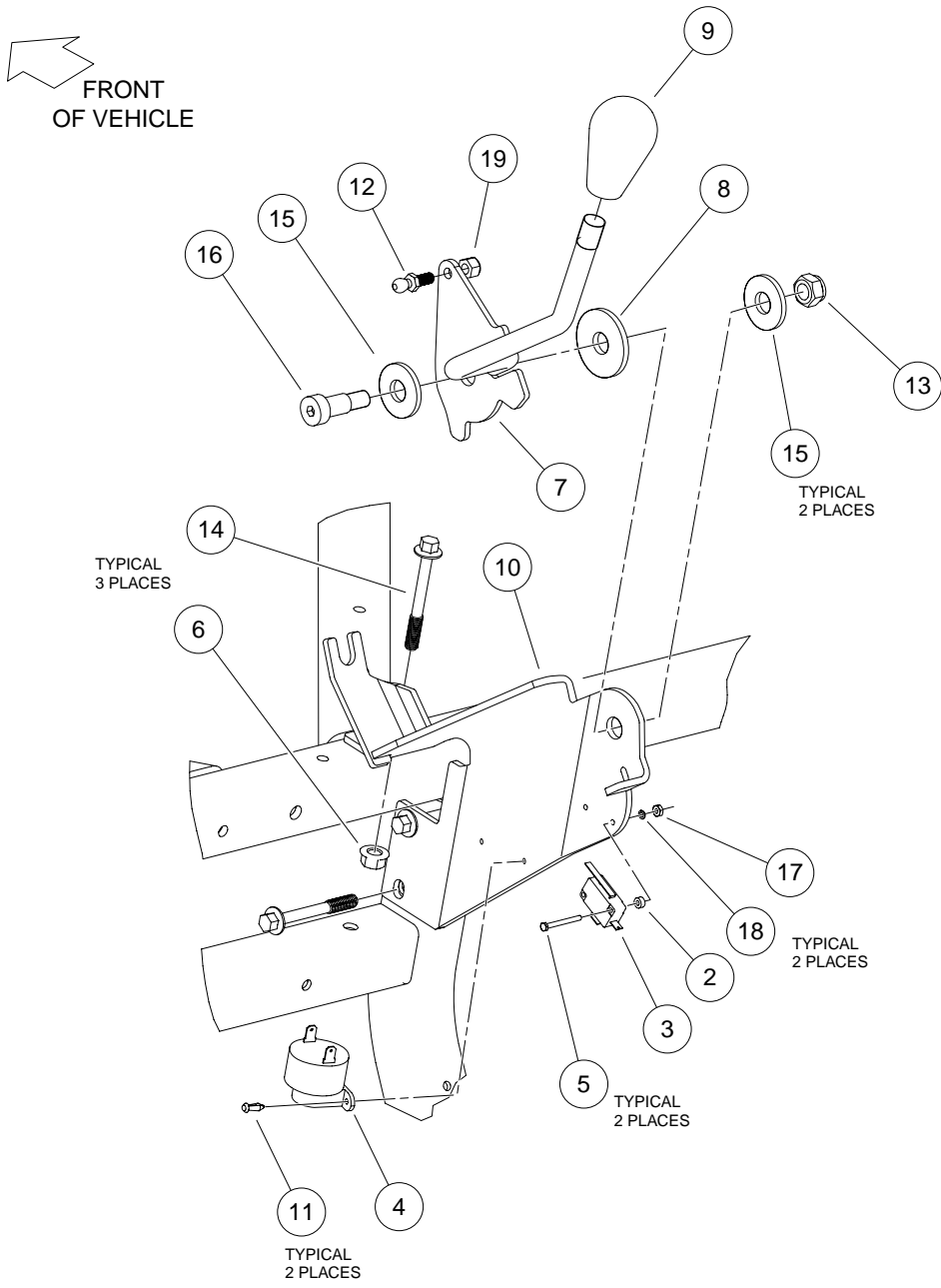
G

D

13

G

D



000030-001

FORWARD/REVERSE SHIFTER ASSEMBLY

ITEM	PART NO.	DESCRIPTION	QTY
		1 2 3 4	
1	603 00 11-35	Asm, FNR (includes items 2 through 19)	1
2	603 00 02-34	Washer, #4 Nylon Flat	2
3	603 00 02-36	Switch, Limit	1
4	603 00 03-71	Buzzer, Reverse (9-48 VDC)	1
5	603 00 03-76	Screw, #4-40 X 1.125 Hx Hd Mch	2
6	603 00 12-98	Nut,m8,all Metal Lock	3
7	N/A	Weldment, FNR Shifter	1
8	603 00 09-23	Bushing, Fnr	1
9	603 00 09-24	Knob, Fnr	1
10	N/A	Weldment, FNR Shifter Bracket	1
11	N/A	Rivet, Micro Tuflok	2
12	603 00 12-88	Stud, Ball, .346 Dia	1
13	603 00 12-95	Locknut, M10x1.5 Nylon Insert	1
14	603 00 13-06	Bolt Flanged Head, M8 X 1.25 X 65	3
15	603 00 15-99	Washer, M12 Hard Regular	2
16	603 00 16-00	Shoulder Bolt,m12 X 20 M10 Thd	1
17	603 00 00-86	Nut, #4-40 Hex Machine	2
18	603 00 00-87	Lockwasher, #4 Helical Split	2
19	603 00 00-94	Locknut, 1/4-28 Nylon Insert	1

13

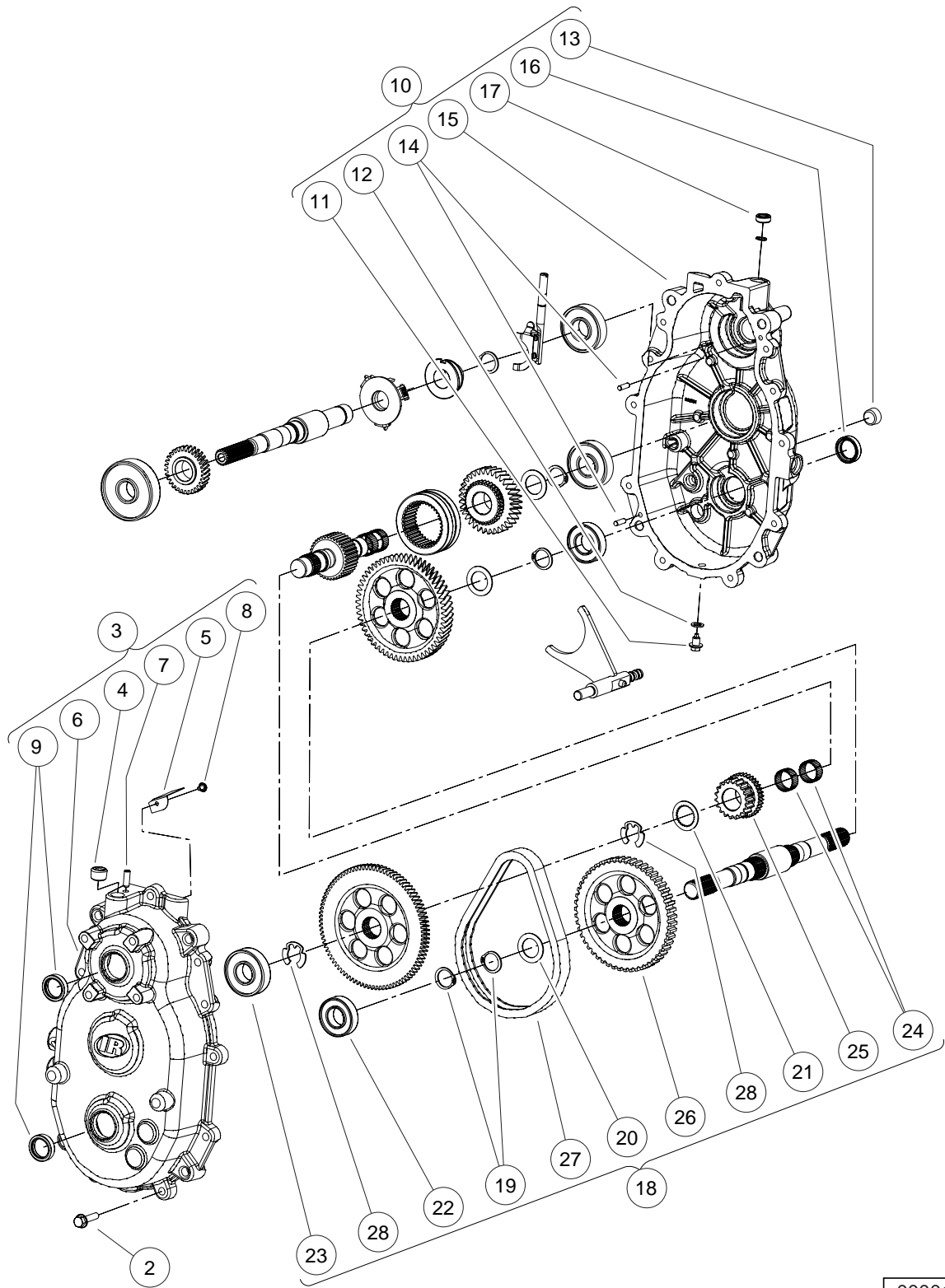
G

D

13

G

D



000016-001

TRANSMISSION

ITEM	PART NO.	DESCRIPTION	QTY
		1 2 3 4	
1	603 00 09-04	Transmission, Parallel Shaft * (includes items 2 through 18)	1
2	603 00 16-22	Screw,hex Flange, M8 X 35	11
3	603 00 17-80	Asm, Gear Case, Rear (includes items 4 through 9)	1
4	603 00 16-28	Plug, Square Skt, 1/12-14, Ptf	1
5	603 00 16-43	Oil, Deflector	1
6	N/A	Gearcase, Rear	1
7	603 00 16-53	Vent, Trans	1
8	603 00 16-54	Screw, Tapping # 10-24 X .375	1
9	603 00 16-55	Seal, Triple, 25 X 35 X 7.8	2
10	603 00 17-81	Asm, Gear Case, Front (includes items 11 through 17)	1
11	603 00 16-23	Plug,3/8-16, Hex Flange	1
12	603 00 16-24	Washer, .625 X .382 X .60	1
13	603 00 16-28	Plug, Square Skt, 1/12-14, Ptf	1
14	603 00 16-41	Pin, Dowel, 6 X 20	2
15	N/A	Gearcase, Front	1
16	603 00 16-55	Seal, Triple, 25 X 35 X 7.8	1
17	603 00 16-81	Seal, Dual-Lip	1
18	603 00 17-87	Kit, Reverse Gear Repair (includes items 19 through 28)	1
19	603 00 16-42	Ring, Retaining, Basic External	2
20	603 00 16-45	Washer, Thrust, 1.007 X .062	1
21	603 00 16-47	Washer, 26.231 X 39.167 X 1.57	1
22	603 00 16-48	Bearing, Ball	1
23	603 00 16-49	Bearing, Ball	1
24	603 00 16-51	Bearing, Needle	2
25	N/A	Sprocket, 19-Tooth	1
26	N/A	Sprocket, 51-Tooth	1
27	N/A	Chain, .375p, .75 Wide, 60ptch	1
28	603 00 16-58	Ring, Retaining, E-Ring	2
<p>* Note: This assembly also contains components listed on the following four pages.</p>			

13

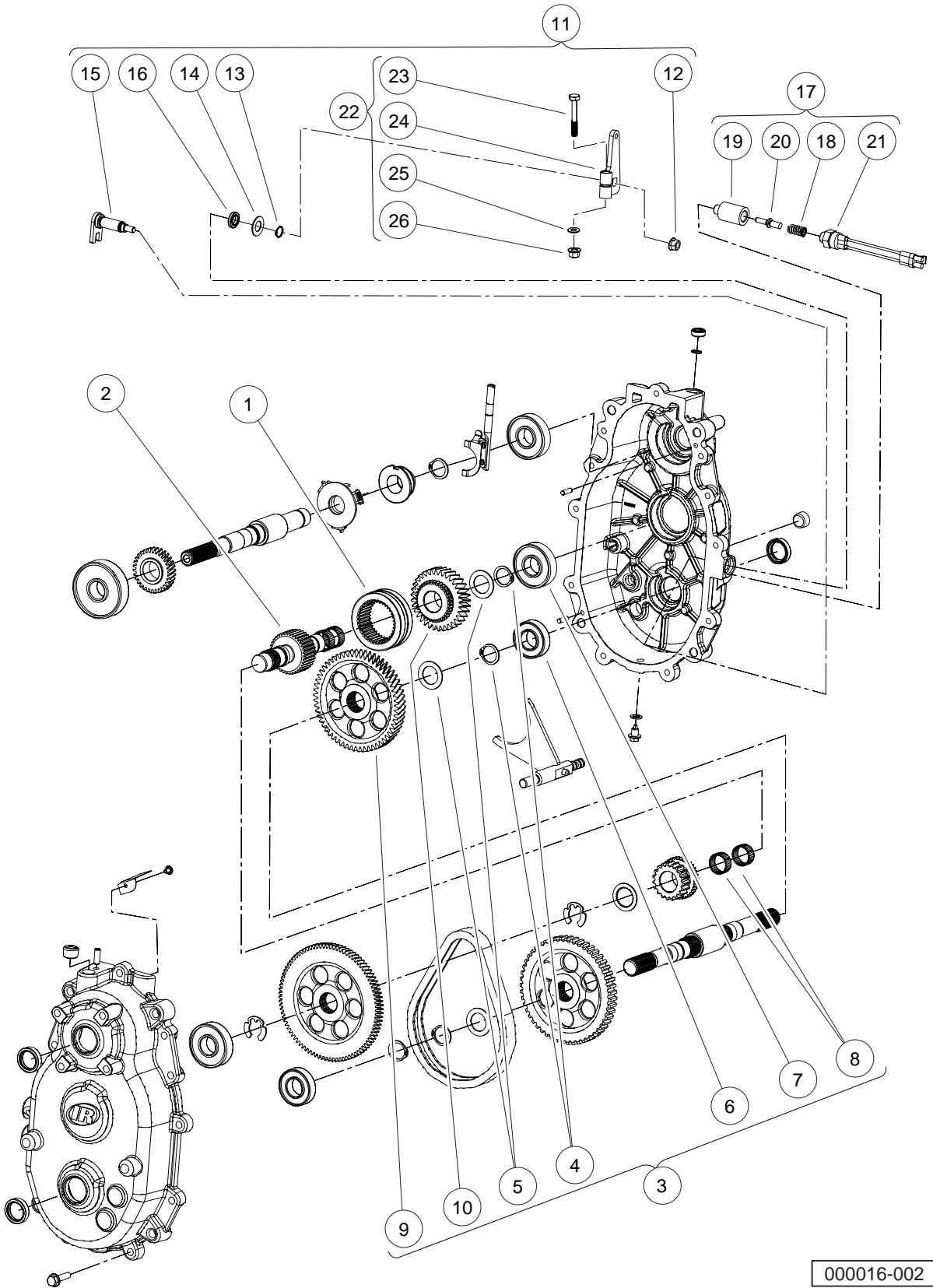
G

D

13

G

D



000016-002

TRANSMISSION, CONTINUED

ITEM	PART NO.	DESCRIPTION	QTY
		1 2 3 4	
1	603 00 28-26	Dog, Engagement	1
2	603 00 28-36	Shaft, Intermediate	1
3	603 00 17-84	Kit, Forward Gear Repair (includes items 4 through 10)	1
4	603 00 16-42	Ring, Retaining, Basic External	2
5	603 00 16-45	Washer, Thrust, 1.007 X .062	2
6	603 00 16-48	Bearing, Ball	1
7	603 00 16-49	Bearing, Ball	1
8	603 00 16-51	Bearing, Needle	2
9	N/A	Gear, Helical 58-Tooth	1
10	N/A	Gear, Helical 34-Tooth	1
11	603 00 17-85	Kit, Trans Shift Shaft Repair (includes items 12 through 16)	1
12	603 00 16-40	Nut, Lock Hex, Nylon, 5/16-24	1
13	603 00 16-44	Ring, Retaining, External 9/16	1
14	603 00 16-46	Washer, Flat, .58 X 1.08 X .05	1
15	N/A	Weldment, Shift, Shaft	1
16	N/A	Seal, Dul Lip, .88 X .56 X .19	1
17	603 00 17-86	Kit, Neutral Switch Repair (includes items 18 through 21)	1
18	N/A	Spring, .484 X .340 X 1.076	1
19	N/A	Guide, Detent Bullet	1
20	N/A	Bullet, Detent	1
21	N/A	Switch, Indicator, Pollak	1
22	531 30 95-70	Kit, Bellcrank, D Shape, Clamp (includes items 23 through 26)	1
23	603 00 30-35	Bolt, 3/8-16 X 2.00 Hex Head	1
24	603 00 45-07	Asm, Bellcrank, D Shape, Clamp	1
25	603 00 00-55	Washer, 3/8 Type A Flat	1
26	603 00 00-95	Locknut, 3/8-16 Hex	1
<p>Note: This page contains a list of components internal to the transmission. See the previous pages for other transmission components.</p>			

13

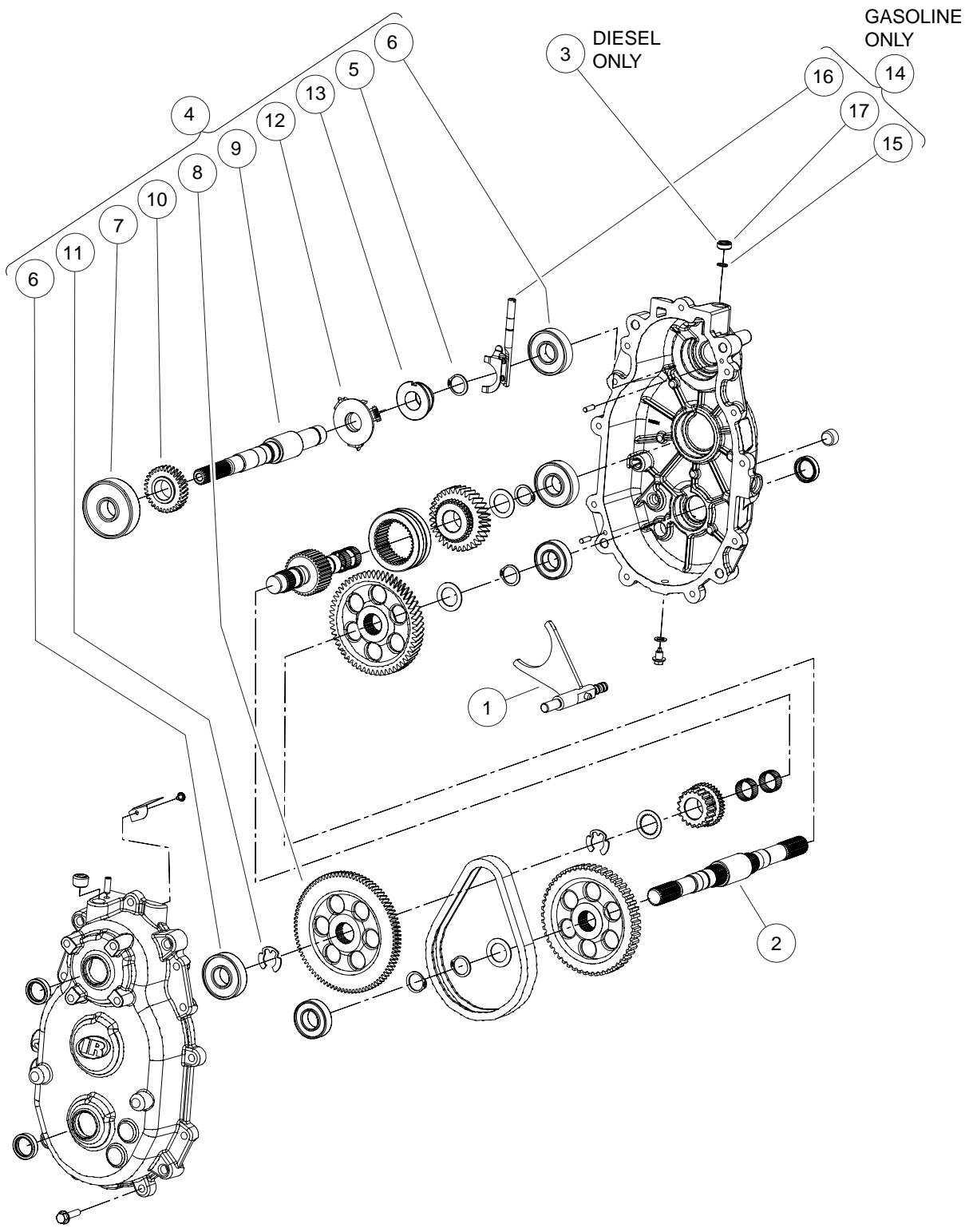
G

D

13

G

D



000016-003

TRANSMISSION, CONTINUED

ITEM	PART NO.	DESCRIPTION	QTY
		1 2 3 4	
1	603 00 16-52	Fork, Transmission	1
2	603 00 28-37	Shaft, Output	1
3	603 00 16-56	Plug, 19mm	1
4	603 00 17-82	Kit, Input Shaft Repair (includes items 5 through 13)	1
5	603 00 16-42	Ring, Retaining, Basic External	1
6	603 00 16-49	Bearing, Ball	2
7	603 00 16-50	Bearing, Ball	1
8	N/A	Gear, Helical 90-Tooth	1
9	N/A	Shaft, Input	1
10	N/A	Gear, Helical, 31-tooth	1
11	603 00 16-58	Ring, Retaining, E-Ring	1
12	N/A	Sub Assy, Fly Weight	1
13	N/A	Sub Assy, Governor Spool	1
14	603 00 17-83	Kit, Governor Shaft Repair (includes items 15 through 17)	2
15	603 00 16-59	Ring, Retaining	1
16	603 00 16-60	Assy, Governor Arm	1
17	603 00 16-81	Seal, Dual-Lip	1
<p>Note: This page contains a list of components internal to the transmission. See the previous pages for other transmission components.</p>			

13

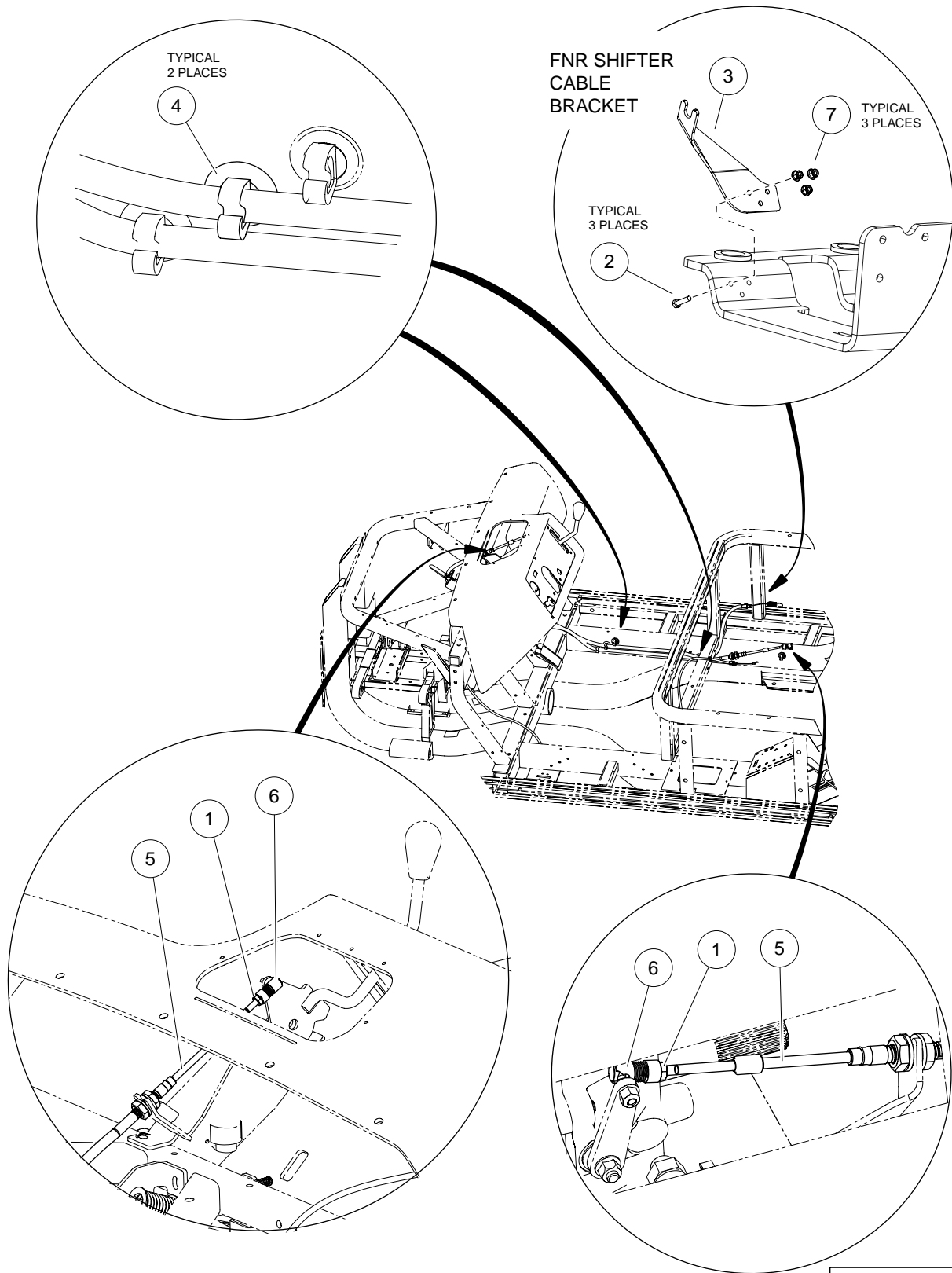
G

D

13

G

D



000032-001

TRANSMISSION CABLE

ITEM	PART NO.	DESCRIPTION	QTY
		1 2 3 4	
1	603 00 01-19	Nut, 1/4-28 Hex Jam	2
2	603 00 01-57	Screw, M6-1.00 X 25mm Hex Cap	3
3	603 00 09-37	Bracket, FNR Trans Cable	1
4	603 00 11-43	Clip, Brake Line	2
5	603 00 11-89	Cable, Transmission Shift	1
6	603 00 12-89	Joint, Ball, .346 Dia	2
7	603 00 13-17	Nut Flg, M6 X 1.0 Nylon	3

13

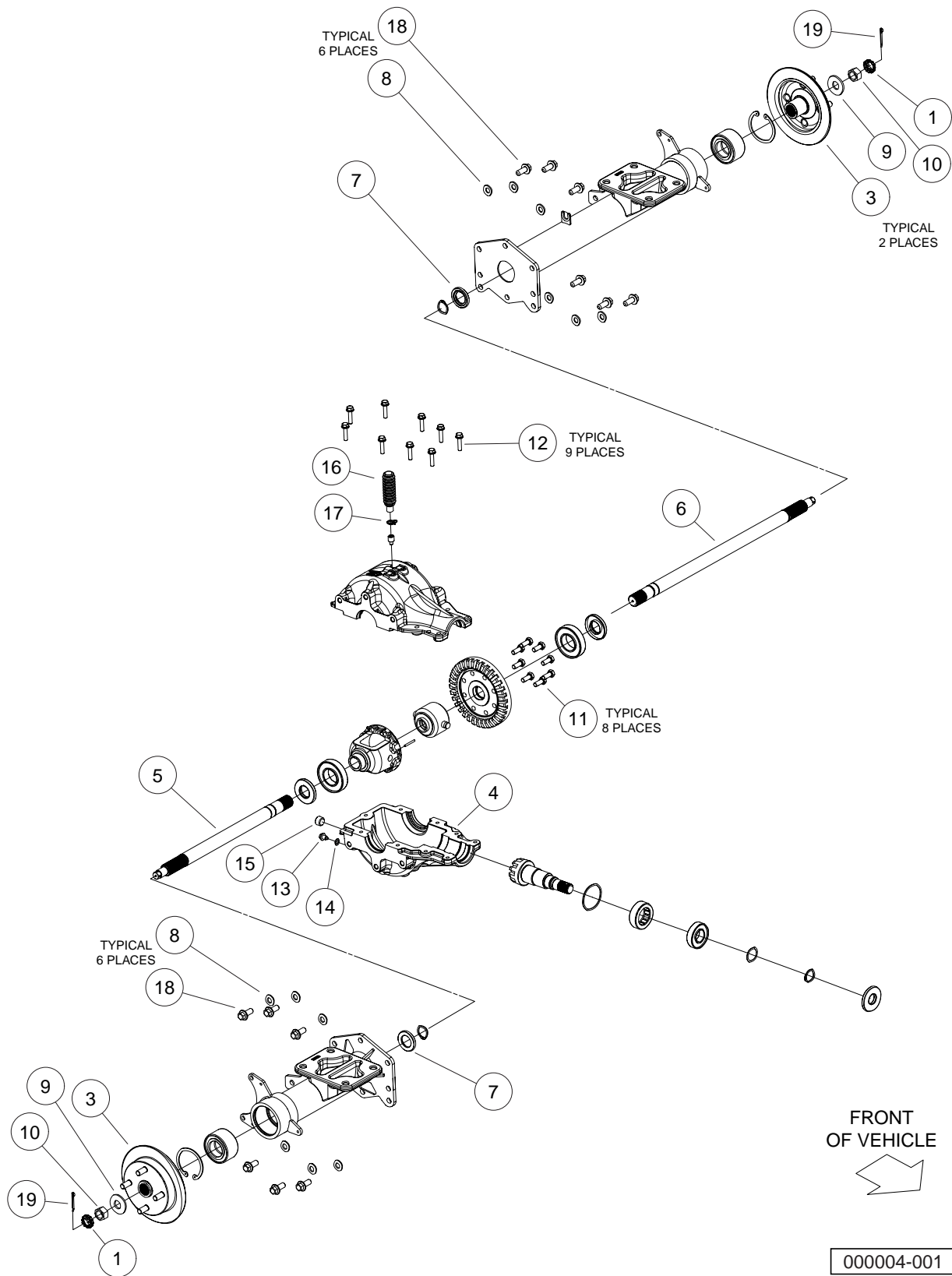
G

D

13

G

D



REAR DIFFERENTIAL

ITEM	PART NO.	DESCRIPTION	QTY
		1 2 3 4	
1	603 00 09-55	Axle, Rear, Guard Mounts (includes items 2 through 19)	1
2	603 00 08-67	Locking Cap, Nut	2
3	603 00 09-26	Assy, Rotor, Brake, Rear	2
4	603 00 10-72	Gearcase, Lower, Machined	1
5	603 00 11-16	Axle, Right-hand	1
6	603 00 11-17	Axle, Left-Hand	1
7	603 00 15-90	Washer, counterbored 51 X 30	2
8	603 00 15-91	Washer, Belleville, 1.063 X .043	12
9	603 00 15-92	Washer, Belleville, 49 X 4	2
10	603 00 15-93	Nut, Hex, M20 X 1.5 , Modified	2
11	603 00 16-21	Screw, M10 X 25	8
12	603 00 16-22	Screw, hex Flange, M8 X 35	9
13	603 00 16-23	Plug, 3/8-16, Hex Flange	1
14	603 00 16-24	Washer, .625 X .382 X .60	1
15	603 00 16-28	Plug, Square Skt, 1/12-14, Ptf	1
16	603 00 16-29	Bellows, Vent, Upper Housing	1
17	603 00 16-30	Clamp, Hose, Dw-9.5	1
18	603 00 16-32	Screw, Hex Fl, M12 X 1.75 X 30	12
19	603 00 16-33	Pin, Cotter, 5/32 X 1.25	2

13

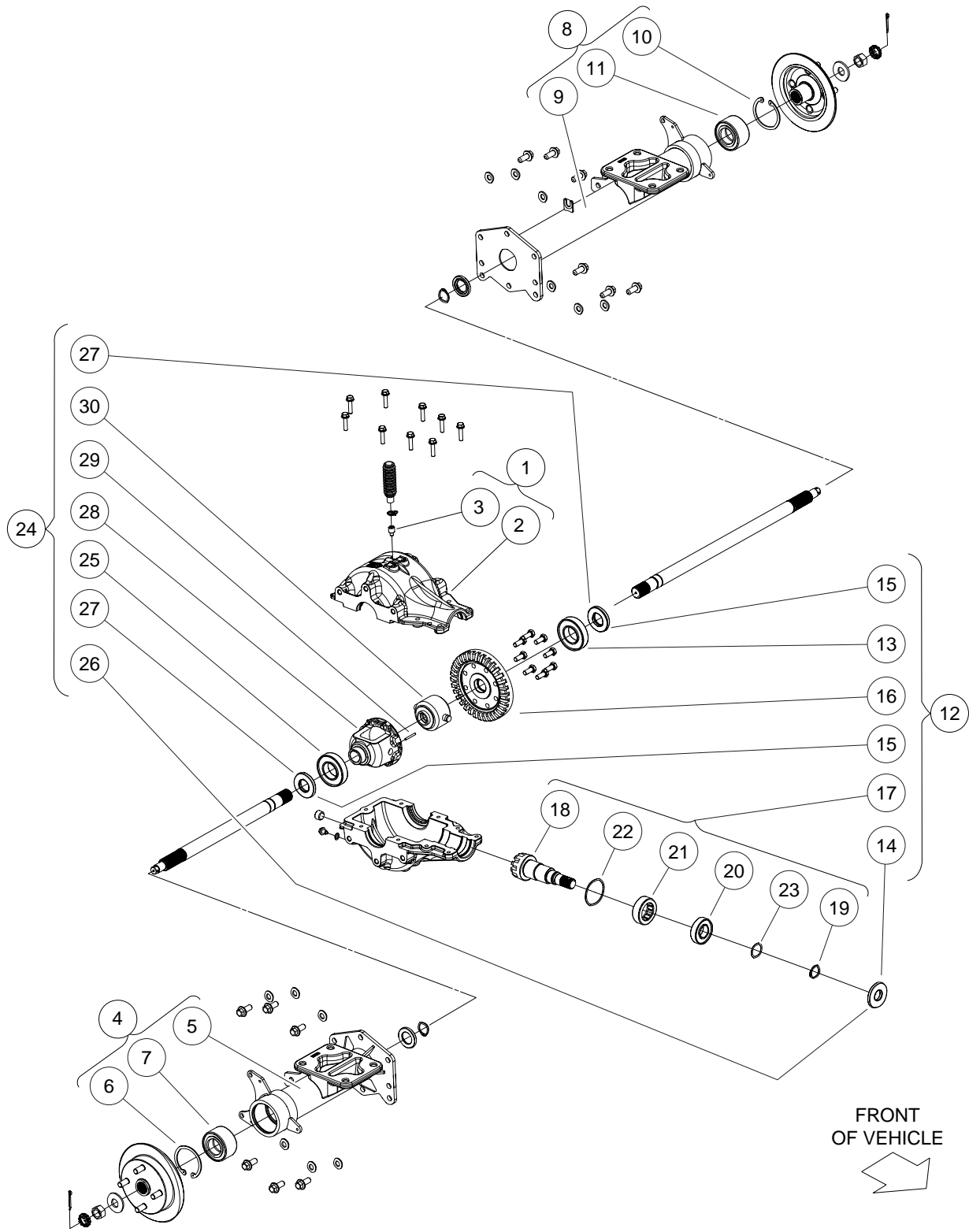
G

D

13

G

D



000004-002

REAR DIFFERENTIAL, CONTINUED

ITEM	PART NO.	DESCRIPTION	QTY
		1 2 3 4	
1	603 00 17-88	Asm, Gearcase, Upper (includes items 2 and 3)	1
2	N/A	Gearcase, Upper, Machined	1
3	603 00 16-26	Vent, Top, Upper Housing	1
4	603 00 17-89	Asm, Axle Tube, RH (includes items 5 through 7)	1
5	N/A	Weldment, Axle Tube Rh	1
6	603 00 11-18	Ring, Retaining, Internal	1
7	603 00 11-23	Bearing	1
8	603 00 17-90	Asm, Axle Tube, LH (includes items 9 through 11)	1
9	N/A	Weldment, Axle Tube Lh	1
10	603 00 11-18	Ring, Retaining, Internal	1
11	603 00 11-23	Bearing	1
12	603 00 17-91	Kit, Rear Axle Gear Repair (includes items 13 through 17)	1
13	603 00 11-22	Bearing, Ball	1
14	603 00 11-24	Seal, Dual-Lip 25x 62x 7tc	1
15	603 00 11-25	Seal, Dual-Lip 30x 62x 8tc	2
16	N/A	Gear, Ring, 33-Tooth	1
17	N/A	Asm, Pinion W/ Bearings (includes items 18 through 23)	1
18	N/A	Pinion, 10t Machined	1
19	603 00 11-19	Ring, Retaining, External	1
20	603 00 11-20	Bearing, Ball	1
21	603 00 11-21	Bearing, Needle, Drawn Shell	1
22	603 00 16-25	Washer, 2.625 X 2.367 X .06	1
23	603 00 16-31	Shim, 1.50 X 1.189 X .008	1
24	603 00 17-79	Asm, Differential & Carrier (includes items 25 through 30)	1
25	603 00 11-22	Bearing, Ball	1
26	603 00 11-24	Seal, Dual-Lip 25x 62x 7tc	1
27	603 00 11-25	Seal, Dual-Lip 30x 62x 8tc	2
28	603 00 35-74	Housing, Differential, Mach	1
29	603 00 40-08	Pin, Dowel, 4 X 35	1
30	603 00 35-75	Asm, Locker, Nongrease/Spacers	1

13

G

D

13

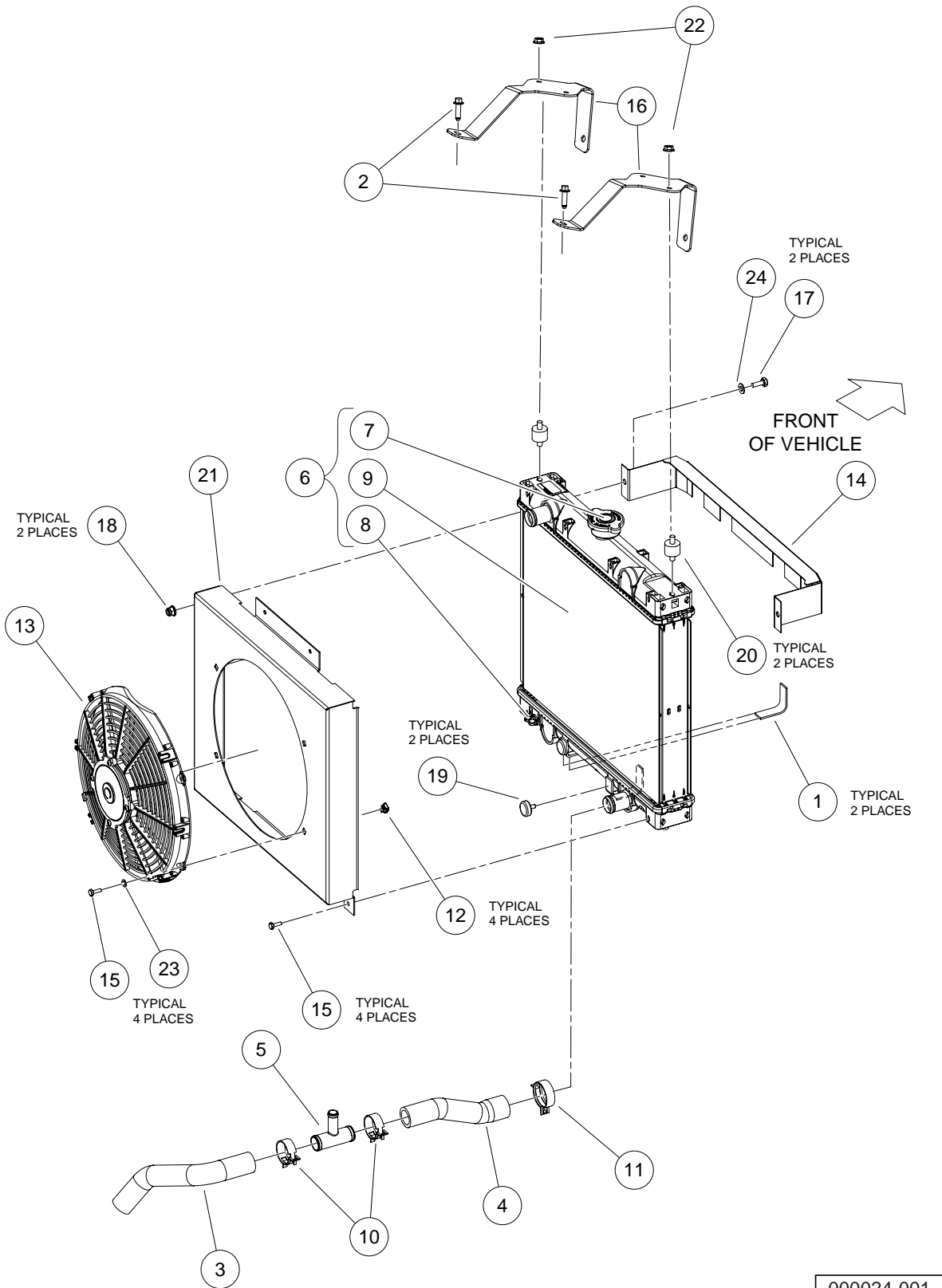
G

D

RADIATOR AND COOLANT SYSTEM (DIESEL VEHICLES)

14

D



000024-001

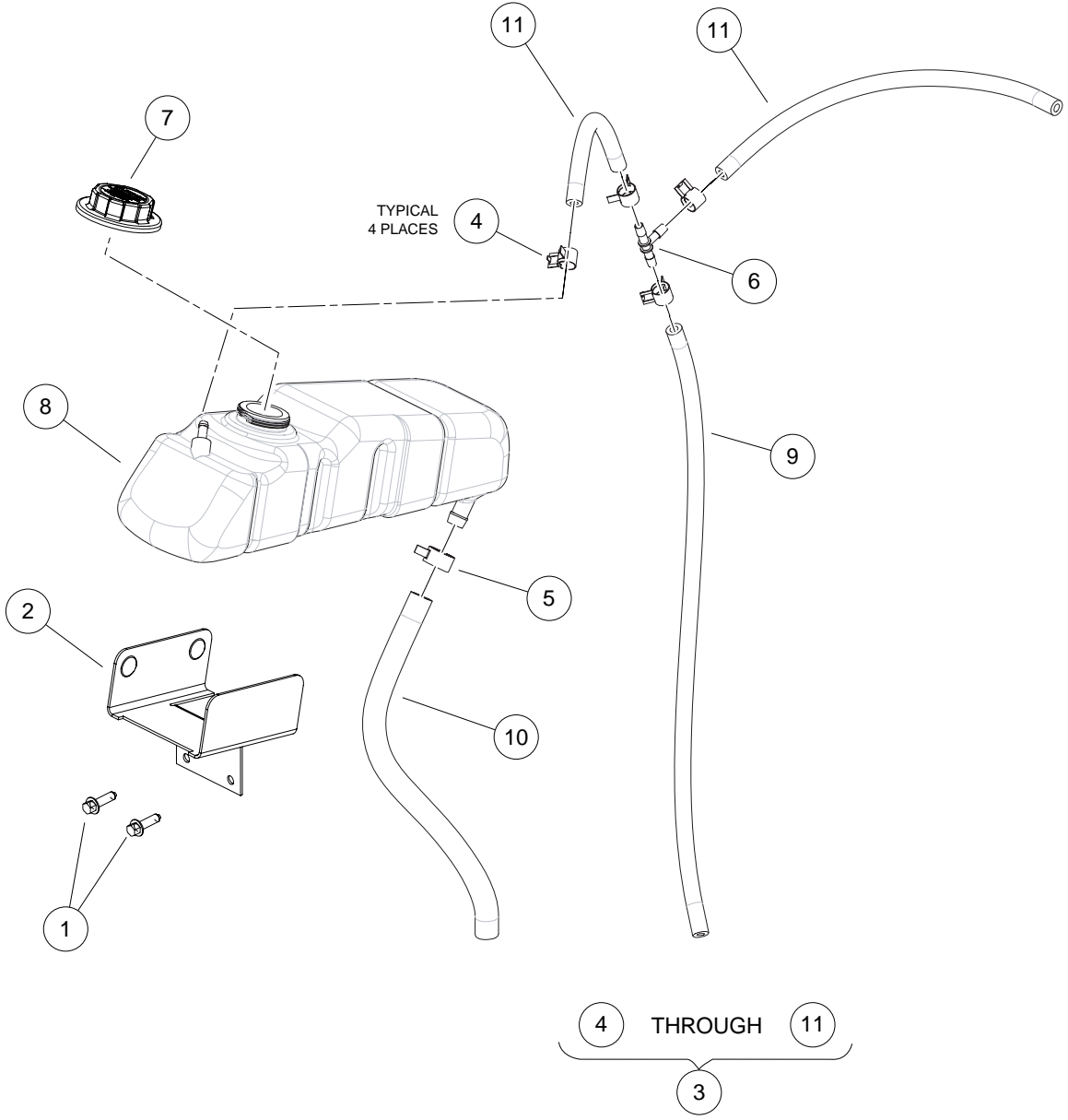
RADIATOR

14

D

ITEM	PART NO.	DESCRIPTION	QTY
		1 2 3 4	
1	603 00 02-29	Tape, Vinyl Foam 1/8" x 3/4"	A/R
2	603 00 08-69	Screw, M8X1.25X30, Hex	2
3	603 00 09-29	Hose, Coolant Lower Pipe	1
4	603 00 09-30	Hose, Coolant Lower Rad	1
5	603 00 09-34	Tee, Coolant Fill	1
6	603 00 09-64	Exchanger, Engine Coolant (includes items 7 through 9)	1
7	603 00 17-64	Cap, Radiator	1
8	603 00 17-65	Drain Cock, Radiator	1
9	N/A	Radiator	1
10	603 00 09-73	Clamp, Hose, Ctb 35mm	2
11	603 00 09-74	Clamp, Hose, Ctb 38mm	1
12	603 00 09-77	Nut, Self Retaining	4
13	603 00 10-21	Fan, Cooling 12 In Elect	1
14	603 00 10-76	Guard, Radiator, Top	1
15	603 00 11-67	Bolt, M6 X 1 X 16 Loctite	8
16	603 00 11-84	Bracket, Upper Radiator Mount	2
17	603 00 11-90	Bolt, M8 X 1.25 X 20	2
18	603 00 13-08	Lock Nut, Flg M8 X 1.25 Nylon	2
19	603 00 15-98	Bumper, 13mm Stud	2
20	603 00 16-01	Isolator, Twin-Stud	2
21	603 00 11-85	Shroud, Radiator Fan	1
22	603 00 05-12	Nut Flg, M8 X 1.25 Serrated	2
23	603 00 04-42	Washer, M6	4
24	603 00 04-50	Washer, M8 Hard	2

DIESEL VEHICLE



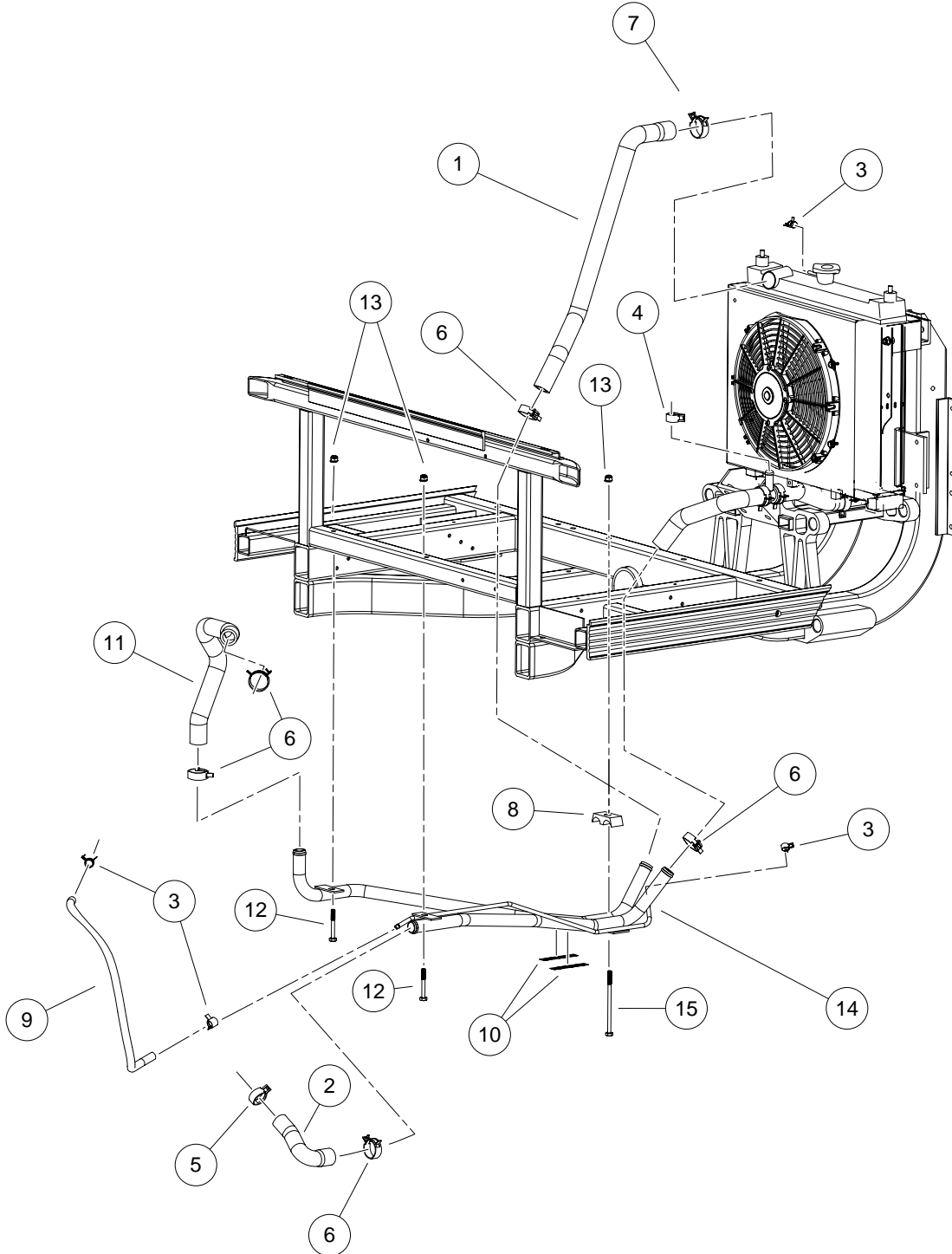
000078-001

COOLANT EXPANSION TANK

ITEM	PART NO.	DESCRIPTION	QTY
		1 2 3 4	
1	603 00 08-69	Screw, M8X1.25X30, Hex	2
2	603 00 11-10	Bracket, Coolant Bottle	1
3	N/A	Asm, Tank, Expansion (includes items 4 through 11)	1
4	603 00 09-70	Clamp, Hose, CTB 15mm	4
5	603 00 09-71	Clamp, Hose, CTB 22mm	1
6	603 00 09-80	Fitting, Tee	1
7	603 00 10-02	Cap, Radiator	1
8	603 00 10-14	Tank, Expansion	1
9	603 00 10-17	Hose, Tee To Vent Tube, Coolnt	1
10	603 00 09-78	Hose, Clnt, 5/8 Sae J20r3 Bulk	A/R
11	603 00 09-79	Hose, Clnt 5/16 Sae J20r3 Bulk	A/R

14

D



000079-001

COOLANT PIPES AND HOSES

ITEM	PART NO.	DESCRIPTION	QTY
		1 2 3 4	
1	603 00 09-27	Hose, Coolant Upper Rad	1
2	603 00 09-28	Hose, Coolant Lower Eng	1
3	603 00 09-70	Clamp, Hose, CTB 15mm	4
4	603 00 09-71	Clamp, Hose, CTB 22mm	1
5	603 00 09-72	Clamp, Hose, Ctb 30mm	1
6	603 00 09-73	Clamp, Hose, Ctb 35mm	5
7	603 00 09-74	Clamp, Hose, Ctb 38mm	1
8	603 00 10-03	Clamp, Bar	1
9	603 00 10-16	Hose, Vent Tube To Eng, Coolnt	1
10	603 00 11-02	Decal, Hot Surface Warning	2
11	603 00 11-55	Hose, Coolant, Return, Engine	1
12	603 00 13-06	Bolt Flanged Head, M8 X 1.25 X 65	2
13	603 00 13-08	Lock Nut, Flg M8 X 1.25 Nylon	3
14	603 00 13-26	Weldment, Group, Coolant Pipe (includes items 15 through 19)	1
15	N/A	Pipe, Coolant Upper	1
16	N/A	Pipe, Coolant Lower	1
17	N/A	Tab, Rear Mntg, Coolant Pipe	2
18	N/A	Pipe, Vent, Coolant	1
19	N/A	Tab, Cooling Pipe Mount	1
20	603 00 04-53	Bolt, M8 X 1.25 X 130	1

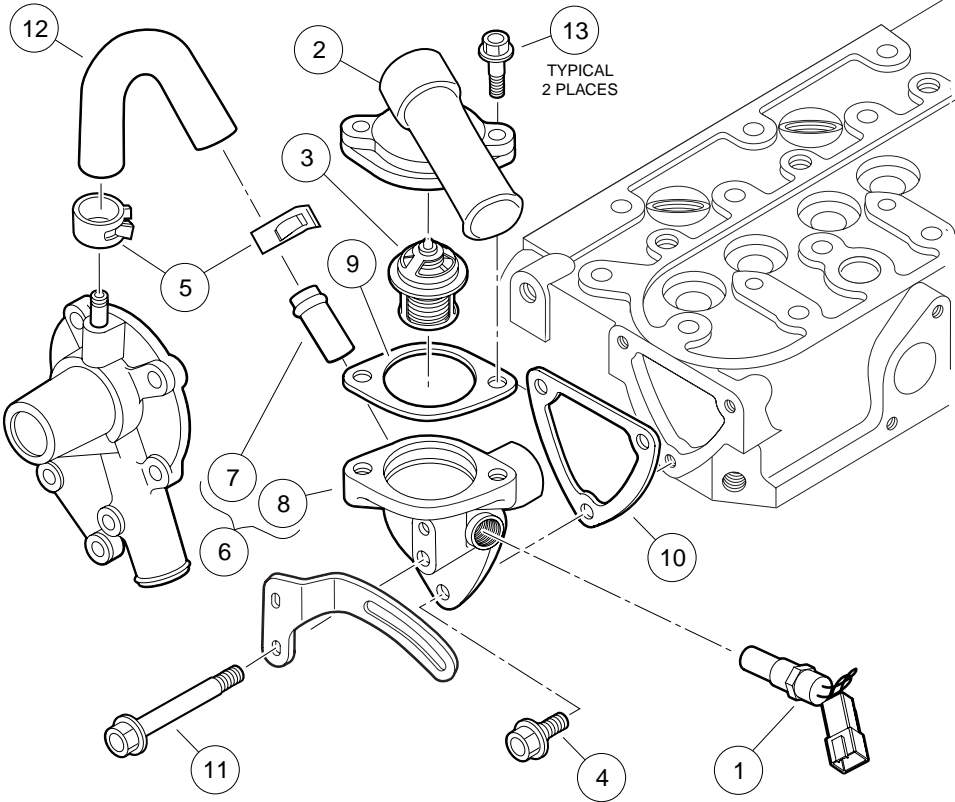
14

D

14

DIESEL VEHICLE

D



FRONT
OF VEHICLE
↙

000059-001

WATER FLANGE AND THERMOSTAT

ITEM	PART NO.	DESCRIPTION	QTY
		1 2 3 4	
1	603 00 09-63	Sensor, Coolant Temp	1
2	603 00 13-41	Cover, Thermostat	1
3	603 00 13-42	Assy, Thermostat	1
4	603 00 13-43	Bolt, M6 X 1 X 20	2
5	603 00 13-50	Band, Pipe	2
6	603 00 13-51	Flange, Water (includes items 7 and 8)	1
7	603 00 18-28	Pipe, Water Return, D722	1
8	N/A	Flange, Water	1
9	603 00 13-53	Gasket, Thermostat	1
10	603 00 14-60	Gasket, Water Flange	1
11	603 00 17-47	Bolt, Alt, D722, Stay Lower	1
12	603 00 17-48	Pipe, Water Return, D722	1
13	603 00 17-49	Bolt, D722, Thermostat Cover	2

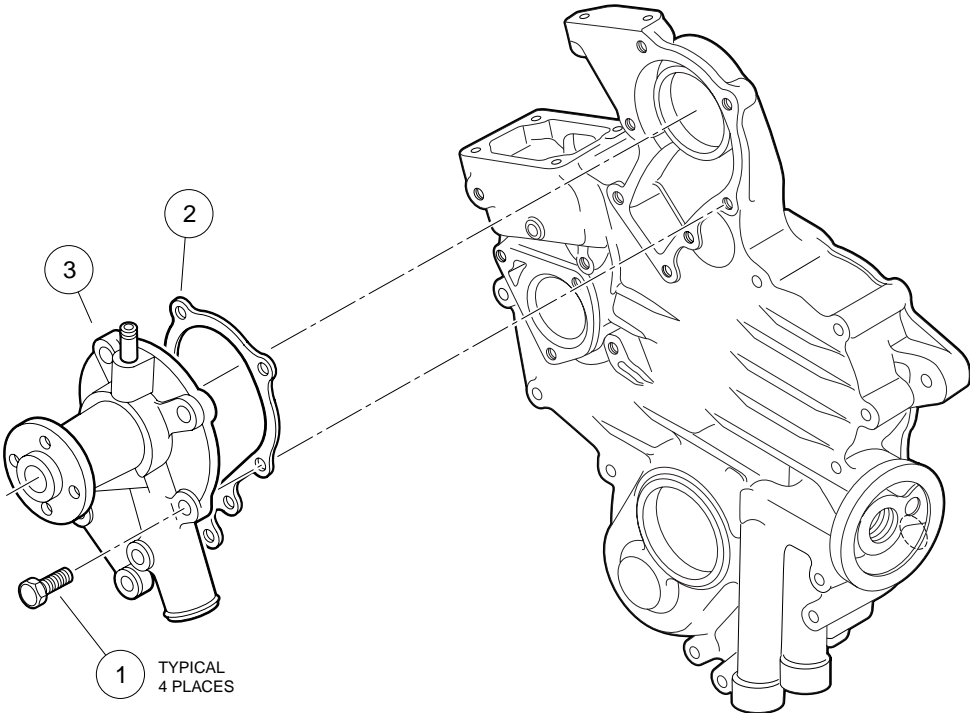
14

D

14

DIESEL VEHICLE

D



FRONT
OF VEHICLE

000060-001

WATER PUMP

ITEM	PART NO.	DESCRIPTION	QTY
		1 2 3 4	
1	603 00 12-67	Bolt, M6 X 1 X 22	4
2	603 00 13-49	Gasket, Water Pump, D722	1
3	603 00 17-50	Water Pump Assembly	1

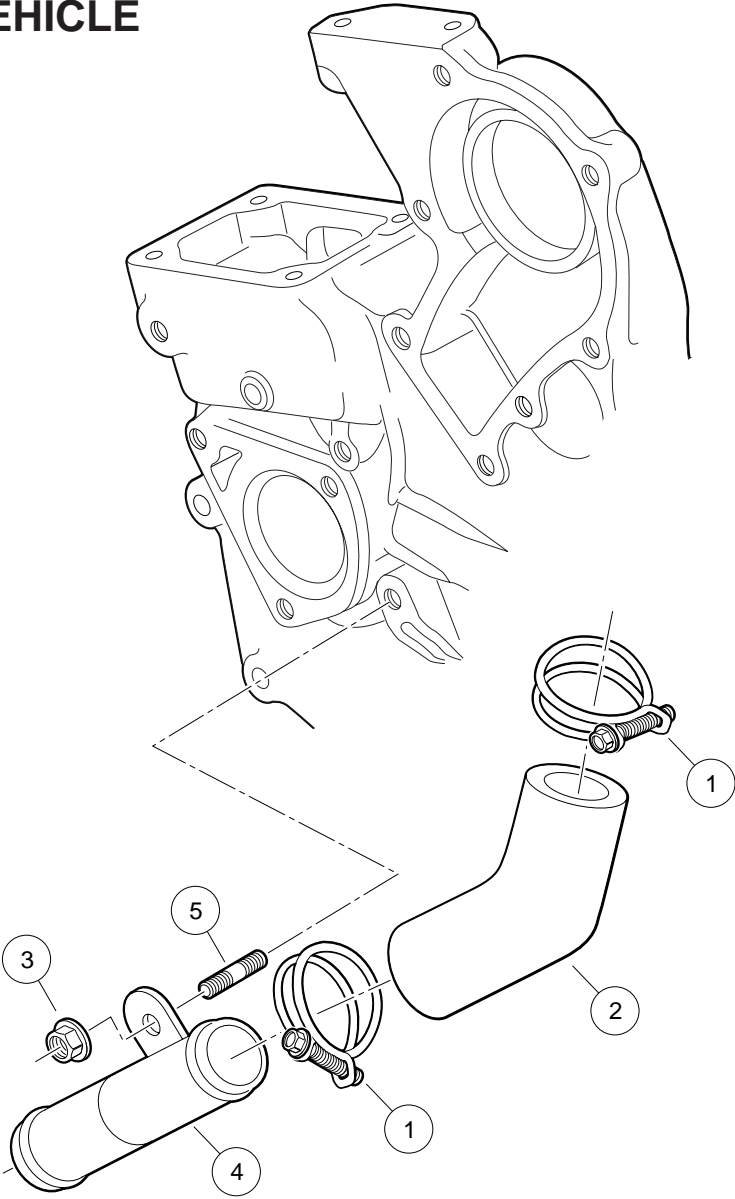
14

D

14

DIESEL VEHICLE

D



FRONT
OF VEHICLE
↙

000061-001

BLOCK COOLANT PIPE

ITEM	PART NO.	DESCRIPTION	QTY
		1 2 3 4	
1	603 00 13-44	Band, Pipe, with Nut	2
2	603 00 13-45	Pipe, Water, Bent	1
3	603 00 13-46	Nut, Flange, M6	1
4	603 00 13-47	Pipe, Water, Bent	1
5	603 00 13-48	Stud, M6 X 15	1

14

D

14

D

MAINTENANCE AND SERVICE TOOLS

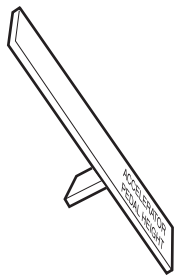
15

G

E

D

**15
G
E
D**



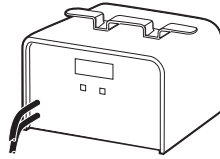
1



2



3



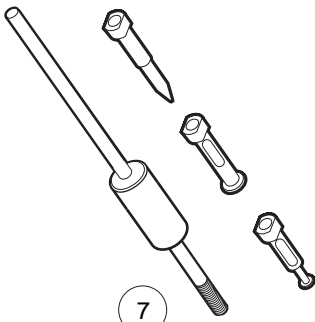
4



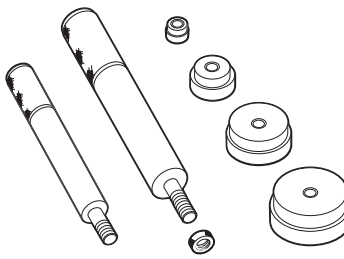
5



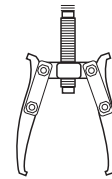
6



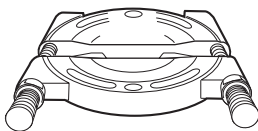
7



8



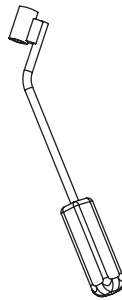
9



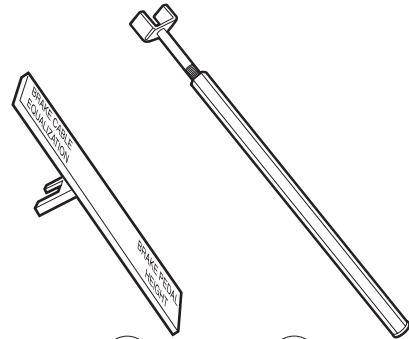
10



11



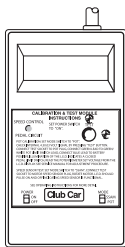
12



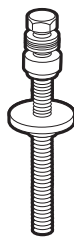
14

15

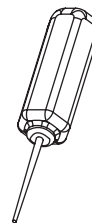
13



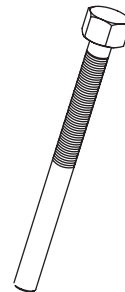
16



17



18



19

MAINTENANCE AND SERVICE TOOLS

ITEM	PART NO.	DESCRIPTION	QTY DIESEL	QTY GAS	QTY ELEC
		<p style="margin: 0;">1 2 3 4</p> <p style="margin: 0;">The following tool list includes all tools available from Husqvarna for maintenance and service procedures for gasoline, electric, and/or diesel vehicles, both past and present models. Be sure to carefully examine the tool list for applicability to your vehicle before ordering.</p>			
1	603 00 18-32	Accelerator Pedal Adjustment Tool		1	1
2	603 00 18-33	Adhesive, Guide Ring, 3-Gram Tube			1
3	603 00 18-34	Arbor		1	
4	603 00 18-35	Battery Discharge Machine, 36/48 Volt			1
5	603 00 00-03	Battery Terminal Protector Spray	1	1	1
6	603 00 18-37	Battery Thermometer	1	1	1
7	603 00 18-38	Bearing and Oil Seal Remover Assembly	1	1	1
8	603 00 18-39	Bearing Driver Set	1	1	1
9	603 00 18-40	Bearing Puller	1	1	1
10	603 00 18-41	Bearing Puller Wedge Attachment	1	1	1
11	603 00 18-42	Brake Adjustment Tool (used only on vehicles with manually adjusted mechanical brakes)		1	1
12	603 00 18-43	Brake Cable Release Tool	1	1	1
13	603 00 18-44	Brake Pedal Adjustment Tool Kit (includes items 14 and 15)			1
14	****	Brake Pedal Adjustment Tool			1
15	****	Brake Pedal Tension Tool			1
16	603 00 18-46	Calibration Test Module			1
17	603 00 18-47	Cam Installation Tool		1	
18	603 00 18-48	Charger Bezel Tool			1
19	603 00 18-49	Clutch Removal Tool (for 4x4 vehicles)	1	1	
		<p>Please refer to the maintenance and service manual for proper tool application.</p> <p>**** Special order item available upon request</p>			

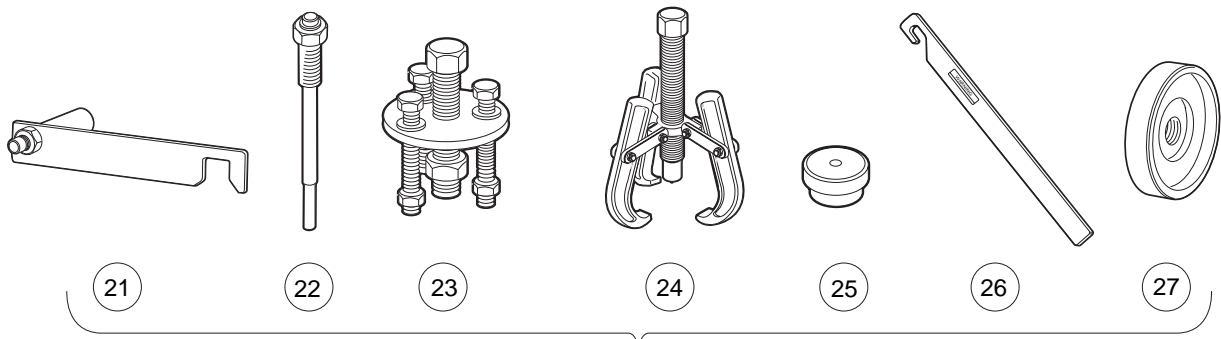
15

G

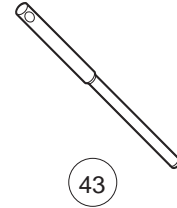
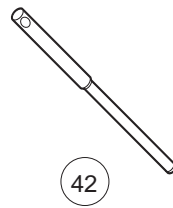
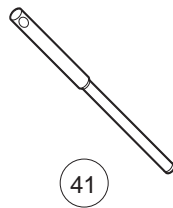
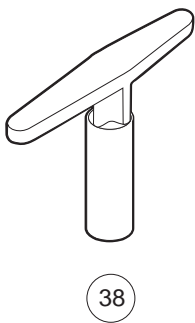
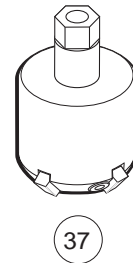
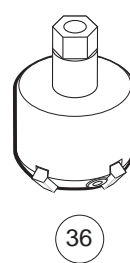
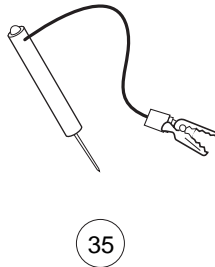
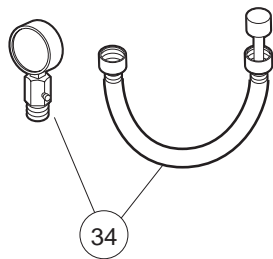
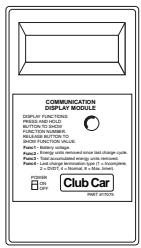
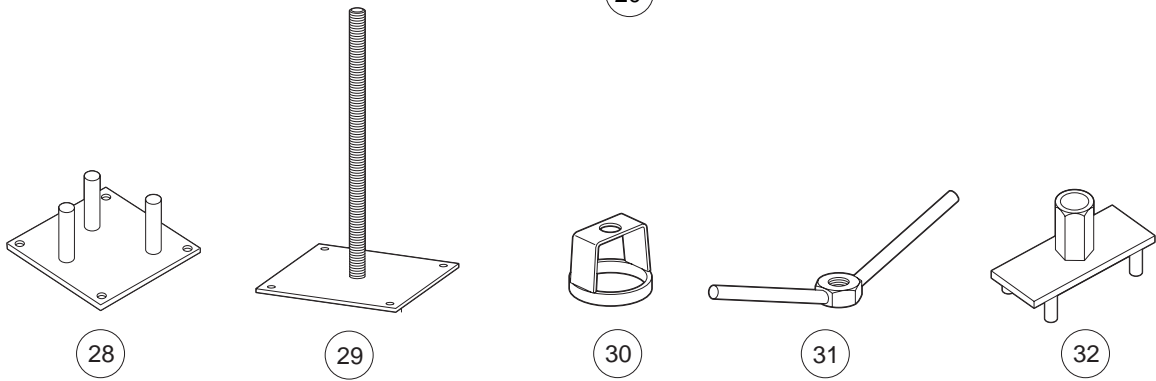
E

D

15
G
E
D



20



MAINTENANCE AND SERVICE TOOLS, CONTINUED

ITEM	PART NO.	DESCRIPTION	QTY DIESEL	QTY GAS	QTY ELEC
		1 2 3 4			
20	603 00 18-50	Clutch Tool Kit (includes items 21 - 27)		1	
21	603 00 18-51	Clutch Alignment Tool (for pre-unitized transaxle vehicles built prior to 1997 model year)		1	
22	603 00 18-52	Drive Clutch Puller (for Kawasaki engines only)		1	
23	603 00 18-53	Drive Clutch Hub Puller (for Kawasaki engines only)		1	
24	603 00 18-54	Driven Clutch Cam Puller (for Kawasaki engines only)		1	
25	603 00 18-55	Driven Clutch Puller Plug (for Kawasaki engines only)		1	
26	603 00 18-56	Drive Clutch Holder Tool Assembly (for Kawasaki engines only)		1	
27	603 00 18-57	Press Weldment (for Kawasaki engines only)		1	
28	603 00 18-58	Drive ClutchFixed Sheave Tool (for 4x4 vehicles)			1
29	603 00 18-60	Driven Clutch Spring Compression Base (for use with items 30 and 31) (for 4x4 vehicles)	1	1	
30	603 00 18-61	Driven Clutch Spring Compression Collar (for use with items 29 and 31) (for 4x4 vehicles)	1	1	
31	603 00 18-62	Driven Clutch Spring Compression Nut (for use with items 29 and 30) (for 4x4 vehicles)	1	1	
32	603 00 18-59	Drive Clutch Spider Removal Tool (for 4x4 vehicles)	1	1	
33	603 00 18-63	Communication Display Module			1
34	603 00 18-64	Compression Gauge and Adapter		1	
35	603 00 18-67	Continuity Tester		1	1
36	603 00 29-35	Cutter, Valve Seat, #122		1	
37	603 00 29-36	Cutter, Valve Seat #115		1	
38	603 00 29-38	Wrench, T, #505		1	
39	603 00 29-38	Adapter, T-Wrench.....		1	
40	603 00 18-75	Cutter, Valve Seat, 60 Degree (requires item 51) (for Honda GX620 Gasoline Engines)		1	
41	603 00 29-39	Pilot, 6.6 MM.....		1	
42	603 00 29-40	Pilot, 6.62 MM.....		1	
43	603 00 29-41	Pilot, 6.65 MM.....		1	
		Please refer to the maintenance and service manual for proper tool application.			

15

G

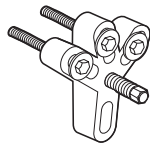
E

D

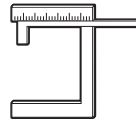
15
G
E
D



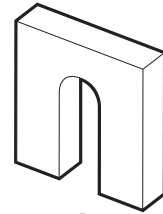
44



45



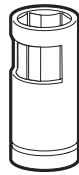
46



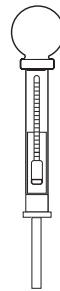
47



48



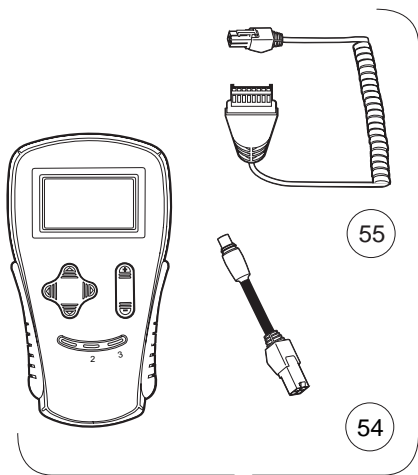
49



50



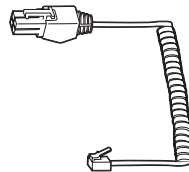
51



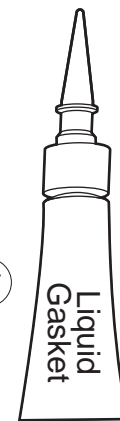
52 53

55

54



56



57



58



59 60



61

MAINTENANCE AND SERVICE TOOLS, CONTINUED

ITEM	PART NO.	DESCRIPTION	QTY DIESEL	QTY GAS	QTY ELEC
		1 2 3 4			
44	603 00 00-01	Dry Moly Lubricant	1	1	1
45	603 00 18-81	Flywheel Puller Kit (for Kawasaki Engines)		1	
46	603 00 18-83	Gauge, Carburetor Float Level (for Honda GX620 Gasoline Engines)		1	
47	603 00 18-86	Gear Yoke	1	1	1
48	603 00 18-87	Governor Shaft Installation Tool (for Kawasaki Engine Vehicles)		1	
49	603 00 18-89	Hydraulic Brake Adjuster (for HUV 4213)			1
50	603 00 18-90	Hydrometer	1	1	1
51	603 00 18-92	Internal Retaining Ring Pliers	1	1	1
52	603 00 26-87	IQ Display Module (IQDM) Kit (for electric vehicles only)			1
		(includes items 54 and 55)			
53	603 00 33-69	IQ Display Module (IQDM-P) Kit (for electric vehicles only)			1
		(includes items 54 and 55)			
54	603 00 18-94	Adaptor, Cable			1
55	603 00 18-95	IQDM Series 2 Cable			1
56	603 00 18-96	IQDM Series 1 Cable (replacement)			1
57	603 00 06-07	Liquid Gasket (transaxle case)	1	1	1
58	603 00 29-92	Moly-Teflon Lubricant (4-oz. (113-gram) tube)			1
59	603 00 33-70	Paint, Touch-Up – Beige		1	1
59	603 00 33-71	Paint, Touch-Up – Black		1	1
59	603 00 33-72	Paint, Touch-Up – Burgundy		1	1
59	603 00 33-73	Paint, Touch-Up – Classic Blue (Navy)		1	1
59	603 00 33-74	Paint, Touch-Up – Dark Gray	1	1	1
59	603 00 33-75	Paint, Touch-Up – Dark Green	1	1	1
59	603 00 33-76	Paint, Touch-Up – Gray	1	1	1
59	603 00 33-77	Paint, Touch-Up – Red	1	1	1
59	603 00 33-78	Paint, Touch-Up – Royal Blue (Pacific Blue)		1	1
59	603 00 33-79	Paint, Touch-Up – White	1	1	1
60	603 00 33-80	Paint, Precedent Underbody – Gray.....		1	1
61	603 00 33-81	Paint Pen, Touch-Up, Precedent Underbody – Black.....		1	1
		Please refer to the maintenance and service manual for proper tool application.			

15

G

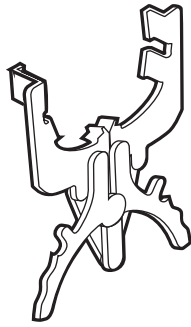
E

D

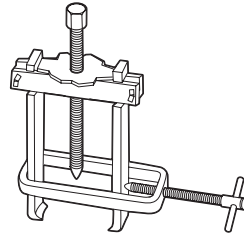
**15
G
E
D**



62



63



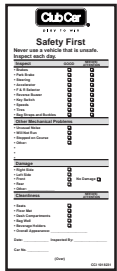
64



65



66



67



68



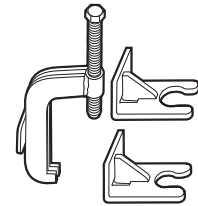
69



70



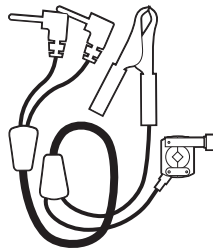
71



72



73



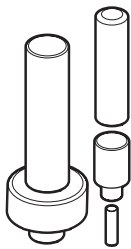
74



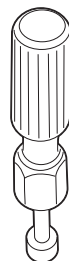
75



76



77



83



84



85



86

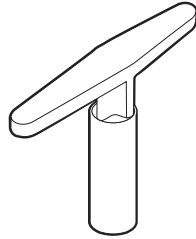
MAINTENANCE AND SERVICE TOOLS, CONTINUED

ITEM	PART NO.	DESCRIPTION	QTY	QTY	QTY	15
			DIESEL	GAS	ELEC	
		1 2 3 4				
62	603 00 19-10	Piston Ring Compressor Kit (FE290, FE350 and FE400 engines)		1		
63	603 00 19-11	Piston Ring Pliers (for Kawasaki Engines)		1		
64	603 00 19-13	Puller, Special Use (for Kubota D722 Diesel Engines)	1			E
65	603 00 19-14	Retaining Ring Pliers, 45° External	1	1	1	
66	603 00 19-15	Retaining Ring Pliers, 90° Internal	1	1	1	D
67	603 00 19-16	Safety First Card (50 per pack)	1	1	1	
68	603 00 19-17	Seal Puller	1	1	1	
69	603 00 19-18	Spanner Wrench (for coil over shock front suspension vehicles only)	1	1		
70	603 00 19-19	Steering Column Bearing Press Tool		1	1	
71	603 00 19-20	Steering Column Retaining Ring Tool		1	1	
72	603 00 19-21	Steering Wheel Puller Tool	1	1	1	
73	603 00 20-07	Tachometer (includes gasoline engine pick up lead only)	1	1		
74	603 00 19-23	Tachometer Diesel Probe (for use with item 73)	1			
75	603 00 19-24	Transaxle Axle Seal Tool		1		
76	603 00 19-25	Transaxle Pinion Seal Tool		1		
77	603 00 19-26	Transmission Tool Kit		1		
78	603 00 00-05	Tune-Up Kit, All OHV (for Kawasaki Engines) (includes air filter, spark plug, oil filter, fuel filters) (not shown)		1		
79	603 00 00-35	Tune-Up Kit, Gx620 (for Honda Engines) (includes air filter, spark plug, oil filter, fuel filters) (not shown)		1		
80	603 00 00-40	Tune-Up Kit, D722 (for Kubota Engines) (includes air filter, oil filter, fuel filters, water separator filter) (not shown)	1			
81	603 00 36-13	Tune-Up Kit, Precedent (for FE290/350 Engines) (includes air filter, spark plug, oil filter, fuel filters) (not shown)			1	
82	603 00 19-28	Valve Clearance Adjuster Screw Holder (for FE290 engines only)		1		
83	603 00 19-29	Valve Guide Driver (for Honda GX620 Gasoline Engines)		1		
84	603 00 19-30	Valve Guide Reamer (FE290, FE350, and FE400 only).....		1		
85	603 00 19-31	Valve Guide Reamer, 6.6 mm (for Honda GX620 Gasoline Engines)		1		

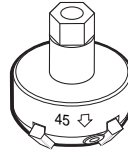
15
G
E
D



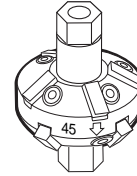
87



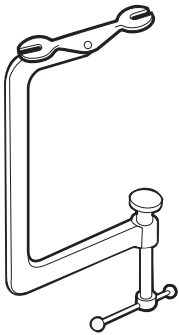
88



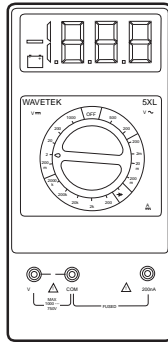
89



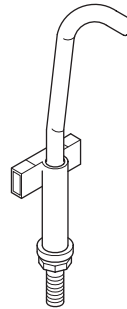
90



91



92



93

MAINTENANCE AND SERVICE TOOLS, CONTINUED

ITEM	PART NO.	DESCRIPTION	QTY DIESEL	QTY GAS	QTY ELEC
		1 2 3 4			
86	603 00 19-27	Valve Seat Cutter Guide		1	
87	603 00 18-78	Valve Seat Cutter T-Wrench		1	
88	603 00 18-36	Valve Seat Cutter, 45° (32 mm diameter) (for FE290 engines only)		1	
89	603 00 01-00	Valve Seat Cutter, 45°/30° (35 mm diameter)		1	
90	603 00 00-43	Valve Spring Compressor		1	
91	603 00 00-38	Volt Ohm Meter	1	1	1
92	603 00 27-87	Tool, Tensioning, Starter Generator (For gasoline vehicles)		1	

15

G

E

D

INDEX

Part Number and Page

531 30 07-38	12-5	603 00 01-00	15-11	603 00 04-43	9-15, 10-7
531 30 10-26	1-21	603 00 01-06	1-15	603 00 04-44	10-21
531 30 71-07	5-9	603 00 01-07	1-13, 1-17	603 00 04-45	5-3
531 30 71-09	4-13	603 00 01-08	1-17	603 00 04-46	9-13
531 30 71-10	5-9	603 00 01-09	4-11, 4-13	603 00 04-47	10-23
531 30 71-13	5-9	603 00 01-16	7-23, 7-25	603 00 04-48	1-3, 1-5, 1-7
531 30 73-75	5-7, 5-9	603 00 01-19	13-19	603 00 04-49	8-3, 9-3, 10-23
531 30 81-39	12-9, 12-11	603 00 01-23	3-3, 3-7	603 00 04-50	8-3, 9-3, 10-23, 14-3
531 30 81-40	12-9, 12-11	603 00 01-25	1-9	603 00 04-51	8-3, 9-3
531 30 82-51	1-9	603 00 01-30	4-11, 4-13	603 00 04-52	1-11
531 30 82-56	9-3	603 00 01-35	7-15, 7-17	603 00 04-53	14-7
531 30 95-43	10-5	603 00 01-36	1-13	603 00 04-54	4-7
531 30 95-44	13-3	603 00 01-41	4-11	603 00 04-55	4-11
531 30 95-70	13-15	603 00 01-57	1-19, 8-3, 9-3, 13-19	603 00 04-57	10-7
603 00 00-01	15-7	603 00 01-66	6-5	603 00 04-58	1-19
603 00 00-02	7-23, 7-25	603 00 01-67	6-5	603 00 04-62	3-5
603 00 00-03	15-3	603 00 01-68	6-5	603 00 04-63	3-3, 3-7
603 00 00-05	15-9	603 00 01-69	6-5	603 00 04-65	10-3, 10-7
603 00 00-06	9-15	603 00 01-70	6-5	603 00 04-66	3-3, 3-7
603 00 00-10	10-25, 10-27	603 00 01-72	1-17	603 00 04-93	7-19, 7-21
603 00 00-26	1-21	603 00 01-73	10-5, 10-9	603 00 05-03	10-3, 10-7
603 00 00-30	2-5	603 00 01-75	4-11, 4-13	603 00 05-12	11-3, 14-3
603 00 00-31	2-5	603 00 01-84	1-9	603 00 05-13	8-3
603 00 00-32	2-3, 2-5	603 00 01-85	10-3, 10-7	603 00 05-14	8-3
603 00 00-33	2-3, 2-5	603 00 01-91	7-19, 7-21	603 00 05-26	12-5
603 00 00-34	2-3, 2-5	603 00 01-94	10-23	603 00 05-49	6-5
603 00 00-35	15-9	603 00 02-22	1-3, 1-5, 1-17, 1-19, 4-7	603 00 05-50	6-5
603 00 00-37	10-3, 10-13	603 00 02-23	1-19	603 00 05-51	6-5
603 00 00-38	15-11	603 00 02-24	7-23, 7-25	603 00 05-52	6-5
603 00 00-40	15-9	603 00 02-26	1-17	603 00 05-53	6-5
603 00 00-41	8-11	603 00 02-29	1-9, 1-13, 14-3	603 00 05-57	10-23
603 00 00-42	10-7	603 00 02-32	1-17	603 00 05-58	1-11, 4-7, 4-9
603 00 00-43	15-11	603 00 02-34	7-7, 13-11	603 00 05-73	1-17
603 00 00-45	1-21	603 00 02-36	7-7, 13-11	603 00 05-76	7-23, 7-25
603 00 00-51	4-11, 10-5, 10-9	603 00 02-41	10-5, 10-9	603 00 05-79	1-9
603 00 00-54	1-11, 1-17, 7-15, 7-17	603 00 02-42	10-5, 10-9	603 00 06-07	15-7
603 00 00-55	13-15	603 00 02-50	1-13	603 00 06-16	1-17
603 00 00-56	1-15, 1-19	603 00 02-55	1-13, 1-17	603 00 06-32	4-11, 4-13
603 00 00-58	1-9	603 00 02-63	1-13	603 00 06-36	6-5
603 00 00-61	10-5, 10-9	603 00 02-64	6-13, 6-15	603 00 06-65	2-3
603 00 00-63	4-13, 5-9	603 00 02-67	7-15, 7-17	603 00 06-67	2-3
603 00 00-64	7-15, 7-17	603 00 02-72	7-19, 7-21	603 00 06-70	2-3
603 00 00-65	4-11, 7-23, 7-25	603 00 02-81	6-11	603 00 06-71	2-3
603 00 00-78	1-13, 1-17, 7-23, 7-25	603 00 03-65	1-15	603 00 06-72	2-5
603 00 00-80	1-13, 1-19	603 00 03-66	7-19, 7-21	603 00 06-74	1-3, 1-5
603 00 00-86	7-7, 13-11	603 00 03-71	7-7, 13-11	603 00 06-76	1-3, 1-5
603 00 00-87	7-7, 13-11	603 00 03-76	7-7, 13-11	603 00 06-78	1-3, 1-5
603 00 00-89	1-17, 10-23	603 00 03-79	1-7	603 00 06-82	6-5
603 00 00-91	1-19	603 00 03-84	1-15	603 00 06-84	6-5, 6-7, 13-3
603 00 00-93	4-9, 4-11, 4-13	603 00 03-85	1-15	603 00 06-89	1-9
603 00 00-94	7-7, 13-11	603 00 04-34	1-15	603 00 06-93	1-19
603 00 00-95	1-13, 1-15, 6-11, 13-15	603 00 04-36	13-9	603 00 06-94	1-19
603 00 00-96	1-13, 1-15	603 00 04-37	8-3, 9-3	603 00 06-95	1-3, 1-5, 1-9, 7-19, 7-21
603 00 00-97	10-5, 10-9	603 00 04-40	8-3, 9-3	603 00 07-01	4-11
		603 00 04-41	9-3	603 00 07-27	7-19
		603 00 04-42	14-3	603 00 07-28	7-19

INDEX

603 00 07-29	1-3, 1-5	603 00 09-11	9-15	603 00 09-71	14-5, 14-7
603 00 07-36	1-9	603 00 09-12	13-9	603 00 09-72	14-7
603 00 07-37	1-3, 1-5	603 00 09-13	13-5	603 00 09-73	14-3, 14-7
603 00 07-59	4-7	603 00 09-15	13-9	603 00 09-74	14-3, 14-7
603 00 07-60	7-19	603 00 09-17	13-3	603 00 09-75	10-27
603 00 07-61	7-19	603 00 09-18	12-7	603 00 09-76	10-25, 10-27, 12-3, 12-5
603 00 07-62	7-19, 7-21	603 00 09-19	10-17	603 00 09-77	14-3
603 00 07-66	4-11, 4-13	603 00 09-20	7-19	603 00 09-78	14-5
603 00 07-73	1-11	603 00 09-21	7-21	603 00 09-79	14-5
603 00 07-74	1-9	603 00 09-22	7-21	603 00 09-80	14-5
603 00 07-77	1-9	603 00 09-23	7-7, 13-11	603 00 09-82	12-9
603 00 07-80	1-13	603 00 09-24	7-7, 13-11	603 00 09-83	12-3, 12-5
603 00 07-81	1-13, 1-15	603 00 09-25	13-3	603 00 09-84	8-3
603 00 07-97	1-13	603 00 09-26	13-21	603 00 09-85	8-3
603 00 07-98	4-7	603 00 09-27	14-7	603 00 09-86	9-3
603 00 08-01	7-19, 7-21	603 00 09-28	14-7	603 00 09-87	1-11
603 00 08-02	1-17	603 00 09-29	14-3	603 00 09-88	1-11
603 00 08-03	1-17	603 00 09-30	14-3	603 00 09-89	1-3, 1-5, 1-11
603 00 08-04	1-17	603 00 09-31	10-25	603 00 09-90	1-11
603 00 08-05	1-17	603 00 09-32	10-27	603 00 09-91	1-11
603 00 08-06	1-17	603 00 09-33	10-25, 10-27	603 00 09-92	7-15, 7-17
603 00 08-07	1-17	603 00 09-34	14-3	603 00 09-93	7-15, 7-17
603 00 08-08	1-17	603 00 09-35	5-5	603 00 09-94	7-15, 7-17
603 00 08-09	1-17	603 00 09-36	13-3	603 00 09-96	8-53, 11-5
603 00 08-11	3-3	603 00 09-37	8-3, 9-3, 13-19	603 00 09-97	10-23
603 00 08-13	1-17	603 00 09-38	12-9, 12-11	603 00 09-98	1-9
603 00 08-14	3-5, 3-9	603 00 09-39	12-13	603 00 09-99	1-9
603 00 08-16	1-17	603 00 09-40	10-13	603 00 10-00	10-3, 10-7
603 00 08-66	13-3	603 00 09-41	6-13, 6-15	603 00 10-01	1-15
603 00 08-67	13-21	603 00 09-43	10-25, 10-27	603 00 10-02	14-5
603 00 08-69	1-7, 9-15, 10-7, 14-3, 14-5	603 00 09-44	6-13, 6-15	603 00 10-03	14-7
603 00 08-70	1-3, 1-5	603 00 09-45	4-5	603 00 10-04	1-3
603 00 08-71	6-3	603 00 09-46	4-5	603 00 10-05	10-7
603 00 08-73	4-9, 6-7	603 00 09-47	4-7	603 00 10-06	10-7
603 00 08-74	4-9, 10-7, 10-23, 12-3, 12-5	603 00 09-48	4-7	603 00 10-07	10-7
603 00 08-75	1-3, 1-5, 1-9, 6-3, 6-11	603 00 09-49	10-9	603 00 10-08	10-7
603 00 08-76	6-9, 6-11	603 00 09-50	10-5	603 00 10-09	10-7
603 00 08-85	9-15	603 00 09-51	10-9	603 00 10-11	1-3, 1-5
603 00 08-90	7-23, 7-25	603 00 09-52	10-9	603 00 10-12	10-23
603 00 08-91	6-7, 13-3	603 00 09-53	4-9	603 00 10-13	10-23
603 00 08-92	6-3	603 00 09-54	4-9	603 00 10-14	14-5
603 00 08-94	6-13	603 00 09-55	13-21	603 00 10-15	9-15, 10-7
603 00 08-95	6-15	603 00 09-56	6-7	603 00 10-16	14-7
603 00 08-97	6-3	603 00 09-58	11-5	603 00 10-17	14-5
603 00 08-98	4-3	603 00 09-59	11-3, 11-5	603 00 10-18	7-5
603 00 08-99	13-3	603 00 09-60	11-3, 11-5	603 00 10-19	13-3
603 00 09-00	6-7	603 00 09-61	11-3	603 00 10-20	13-3
603 00 09-01	6-7	603 00 09-62	11-3	603 00 10-21	14-3
603 00 09-02	6-7	603 00 09-63	14-9	603 00 10-22	6-7
603 00 09-03	6-7	603 00 09-64	14-3	603 00 10-23	6-7
603 00 09-04	13-13	603 00 09-65	10-7	603 00 10-24	1-7
603 00 09-06	12-13	603 00 09-66	1-3, 1-5, 4-9, 8-3, 9-3	603 00 10-26	13-5
603 00 09-07	8-3	603 00 09-67	10-7	603 00 10-27	13-5
603 00 09-08	8-3, 9-3	603 00 09-68	10-3, 10-7	603 00 10-28	13-5
603 00 09-09	8-3, 9-3	603 00 09-69	10-7	603 00 10-29	13-5
603 00 09-10	9-15	603 00 09-70	14-5, 14-7	603 00 10-30	13-5

INDEX

603 00 10-31	13-5	603 00 11-00	9-15	603 00 11-60	1-11
603 00 10-32	13-5	603 00 11-01	3-7	603 00 11-61	1-9
603 00 10-33	13-5	603 00 11-02	1-9, 3-5, 3-9, 14-7	603 00 11-62	4-3, 4-5
603 00 10-34	13-5	603 00 11-03	3-9	603 00 11-63	5-3
603 00 10-35	13-5	603 00 11-04	3-5, 3-9	603 00 11-64	12-9
603 00 10-36	13-5	603 00 11-05	3-9	603 00 11-65	8-3, 9-3, 10-23
603 00 10-37	13-5	603 00 11-06	1-11, 3-3, 3-7	603 00 11-66	8-3, 9-3
603 00 10-38	13-5	603 00 11-07	3-5, 3-9	603 00 11-67	7-23, 14-3
603 00 10-39	13-5	603 00 11-08	3-3, 3-7	603 00 11-68	9-15
603 00 10-40	13-5	603 00 11-09	3-7, 3-9	603 00 11-69	8-3, 9-3, 12-13
603 00 10-41	13-5	603 00 11-10	14-5	603 00 11-70	6-7
603 00 10-42	13-5	603 00 11-11	8-3, 9-3	603 00 11-71	13-3
603 00 10-43	13-5	603 00 11-12	13-3	603 00 11-72	13-3
603 00 10-44	13-7	603 00 11-13	8-3	603 00 11-74	1-3, 1-5, 1-7, 1-11
603 00 10-45	13-5	603 00 11-14	9-3	603 00 11-75	4-3, 4-5
603 00 10-46	13-7	603 00 11-15	10-13	603 00 11-76	1-19
603 00 10-47	13-7	603 00 11-16	13-21	603 00 11-77	7-15, 7-17
603 00 10-48	13-7	603 00 11-17	13-21	603 00 11-78	7-17
603 00 10-49	1-9	603 00 11-18	13-23	603 00 11-79	4-11
603 00 10-50	7-23, 7-25	603 00 11-19	13-23	603 00 11-81	1-3, 1-5
603 00 10-51	7-23	603 00 11-20	13-23	603 00 11-82	10-13
603 00 10-52	7-23	603 00 11-21	13-23	603 00 11-83	4-3, 4-5
603 00 10-53	4-11	603 00 11-22	13-23	603 00 11-84	14-3
603 00 10-54	4-11	603 00 11-23	13-23	603 00 11-85	14-3
603 00 10-55	5-3, 5-5	603 00 11-24	13-23	603 00 11-86	8-3, 9-3
603 00 10-56	9-15	603 00 11-25	13-23	603 00 11-87	10-9
603 00 10-57	9-15	603 00 11-26	6-11	603 00 11-88	6-11
603 00 10-58	1-5	603 00 11-27	1-15	603 00 11-89	13-19
603 00 10-60	7-11	603 00 11-28	8-3	603 00 11-90	10-21, 14-3
603 00 10-62	6-11	603 00 11-29	1-19	603 00 11-91	7-25, 8-3
603 00 10-63	6-7	603 00 11-30	6-11	603 00 11-92	10-15
603 00 10-64	13-3	603 00 11-31	6-7	603 00 11-93	10-19
603 00 10-65	1-11	603 00 11-32	6-11	603 00 11-94	10-23
603 00 10-66	1-11	603 00 11-33	6-11	603 00 11-98	4-7, 10-25, 10-27
603 00 10-67	7-15, 7-17	603 00 11-34	6-11	603 00 11-99	8-5
603 00 10-68	7-15, 7-17	603 00 11-35	7-7, 13-11	603 00 12-00	8-5
603 00 10-69	7-25	603 00 11-37	1-9	603 00 12-01	8-5
603 00 10-70	7-25	603 00 11-38	1-9	603 00 12-02	8-5, 8-9, 8-53
603 00 10-72	13-21	603 00 11-39	4-9, 6-7	603 00 12-03	8-5
603 00 10-74	10-21	603 00 11-40	4-9, 6-7	603 00 12-04	8-5
603 00 10-75	10-23	603 00 11-41	4-9	603 00 12-05	8-5
603 00 10-76	14-3	603 00 11-42	9-15	603 00 12-06	8-5, 8-9
603 00 10-77	10-23	603 00 11-43	4-9, 10-15, 10-17, 10-19, 13-19	603 00 12-07	8-5, 8-11
603 00 10-85	1-19	603 00 11-44	13-3	603 00 12-08	8-33
603 00 10-86	1-19	603 00 11-45	1-9	603 00 12-09	8-5
603 00 10-87	1-19	603 00 11-48	6-13, 6-15	603 00 12-10	8-5
603 00 10-88	10-23	603 00 11-50	6-11	603 00 12-12	8-11, 8-53
603 00 10-89	10-23	603 00 11-51	1-3, 1-5	603 00 12-13	8-11
603 00 10-90	3-5	603 00 11-52	10-9	603 00 12-14	8-11
603 00 10-91	3-9	603 00 11-53	13-3	603 00 12-15	8-11
603 00 10-93	1-9	603 00 11-54	5-3	603 00 12-16	8-11
603 00 10-94	10-23	603 00 11-55	14-7	603 00 12-17	8-11
603 00 10-95	10-23	603 00 11-56	12-5	603 00 12-18	8-11
603 00 10-96	10-23	603 00 11-58	12-5	603 00 12-19	8-11
603 00 10-97	7-21	603 00 11-59	12-5	603 00 12-20	8-11
603 00 10-99	9-15			603 00 12-22	8-27

INDEX

603 00 12-23	8-27	603 00 12-79	8-19	603 00 13-35	8-33, 8-35
603 00 12-24	8-27	603 00 12-80	8-19	603 00 13-36	8-23
603 00 12-25	8-27	603 00 12-81	8-19	603 00 13-37	8-23
603 00 12-26	8-27	603 00 12-82	8-23	603 00 13-38	8-23
603 00 12-27	8-27	603 00 12-83	8-23	603 00 13-39	8-23, 8-55
603 00 12-28	8-21, 8-27	603 00 12-84	8-23	603 00 13-40	8-23, 8-55
603 00 12-29	8-27	603 00 12-85	8-23	603 00 13-41	14-9
603 00 12-30	8-23, 8-27	603 00 12-86	1-13, 1-15	603 00 13-42	14-9
603 00 12-31	8-27	603 00 12-88	7-7, 13-11	603 00 13-43	8-5, 8-33, 8-35, 14-9
603 00 12-32	8-27	603 00 12-89	13-19	603 00 13-44	14-13
603 00 12-33	8-27	603 00 12-91	12-5	603 00 13-45	14-13
603 00 12-34	8-21	603 00 12-92	6-7, 6-9, 6-11, 6-13, 6-15	603 00 13-46	14-13
603 00 12-35	8-21	603 00 12-94	12-11	603 00 13-47	14-13
603 00 12-36	8-7, 8-21	603 00 12-95	7-7, 13-11	603 00 13-48	14-13
603 00 12-37	8-21	603 00 12-96	10-23	603 00 13-49	8-53, 14-11
603 00 12-38	8-21	603 00 12-97	10-23	603 00 13-50	14-9
603 00 12-39	8-21	603 00 12-98	1-9, 7-7, 8-3, 9-3, 10-3, 11-5, 13-11	603 00 13-51	14-9
603 00 12-40	8-21	603 00 12-99	4-9, 5-3, 6-7	603 00 13-53	8-53, 14-9
603 00 12-41	8-41	603 00 13-00	1-3, 1-5, 1-7, 1-11	603 00 13-54	8-43
603 00 12-42	8-21	603 00 13-01	10-13	603 00 13-55	8-39
603 00 12-43	8-21	603 00 13-02	13-3	603 00 13-56	8-39
603 00 12-44	8-21	603 00 13-03	6-7	603 00 13-57	8-39
603 00 12-45	8-17	603 00 13-04	13-3	603 00 13-58	8-39, 8-53
603 00 12-46	8-17	603 00 13-05	5-3, 5-5	603 00 13-59	8-39
603 00 12-47	8-17	603 00 13-06	4-11, 4-13, 5-3, 5-5, 5-7, 5-9, 7-7, 13-11, 14-7	603 00 13-60	8-39
603 00 12-48	8-17	603 00 13-07	4-7	603 00 13-61	8-39
603 00 12-49	8-17, 8-53	603 00 13-08	1-3, 1-5, 1-15, 4-7, 4-11, 4-13, 5-3, 5-5, 5-7, 5-9, 6-3, 6-9, 6-11, 8-3, 9-3, 9-15, 10-7, 10-23, 14-3, 14-7	603 00 13-62	8-39, 8-53
603 00 12-50	8-15	603 00 13-10	6-13, 6-15	603 00 13-63	8-39, 8-53
603 00 12-51	8-7	603 00 13-11	6-13, 6-15	603 00 13-64	8-39
603 00 12-52	8-7	603 00 13-12	6-7, 6-9, 6-11, 6-13, 6-15	603 00 13-65	8-39
603 00 12-53	8-7	603 00 13-13	10-13	603 00 13-66	8-43
603 00 12-54	8-7	603 00 13-14	1-11, 3-3, 3-7	603 00 13-67	8-43
603 00 12-55	8-7	603 00 13-15	10-25, 10-27, 11-3, 11-5	603 00 13-68	8-39
603 00 12-56	8-23, 8-55	603 00 13-16	8-3, 11-5	603 00 13-69	8-29, 8-39, 8-41, 8-53
603 00 12-57	8-23	603 00 13-17	1-19, 8-3, 9-3, 10-25, 10-27, 13-19	603 00 13-70	8-29
603 00 12-58	8-23	603 00 13-18	3-11	603 00 13-71	8-29
603 00 12-59	8-23	603 00 13-19	10-11	603 00 13-72	8-29
603 00 12-60	8-23	603 00 13-20	10-11	603 00 13-75	8-43
603 00 12-61	8-23	603 00 13-21	10-11	603 00 13-76	8-43
603 00 12-62	8-19, 8-53	603 00 13-22	5-5	603 00 13-77	8-43
603 00 12-63	8-19, 8-53	603 00 13-23	12-5	603 00 13-78	8-43
603 00 12-64	8-19	603 00 13-24	11-5	603 00 13-79	8-43
603 00 12-65	8-19	603 00 13-25	1-3, 1-5	603 00 13-81	8-29
603 00 12-66	8-19	603 00 13-26	14-7	603 00 13-82	8-29
603 00 12-67	8-19, 14-11	603 00 13-27	1-15	603 00 13-83	8-37
603 00 12-68	8-23	603 00 13-28	8-23	603 00 13-84	8-37
603 00 12-69	8-23	603 00 13-29	8-23	603 00 13-85	8-37
603 00 12-70	8-23	603 00 13-30	8-23	603 00 13-87	8-37
603 00 12-71	8-23	603 00 13-31	8-23	603 00 13-88	8-37
603 00 12-72	8-23	603 00 13-32	8-23	603 00 13-89	8-37
603 00 12-73	8-23	603 00 13-33	8-23, 8-53	603 00 13-90	8-37
603 00 12-74	8-19	603 00 13-34	8-23	603 00 13-91	8-37
603 00 12-75	8-23			603 00 13-92	8-41
603 00 12-76	8-23			603 00 13-93	8-41
603 00 12-77	8-23			603 00 13-94	8-41
603 00 12-78	8-19			603 00 13-95	8-41

INDEX

603 00 13-96	8-41	603 00 14-62	9-7	603 00 15-18	9-13
603 00 13-97	8-41	603 00 14-63	10-11	603 00 15-19	9-13
603 00 13-98	8-41	603 00 14-64	10-11	603 00 15-20	9-13
603 00 13-99	8-41	603 00 14-65	10-11	603 00 15-21	9-13
603 00 14-00	8-41	603 00 14-66	10-11	603 00 15-22	9-13
603 00 14-01	8-41	603 00 14-67	10-11	603 00 15-23	9-13
603 00 14-02	8-41	603 00 14-68	10-11	603 00 15-24	9-13
603 00 14-03	8-41	603 00 14-69	10-11	603 00 15-25	9-13
603 00 14-04	8-41	603 00 14-70	10-13	603 00 15-27	9-13
603 00 14-05	8-41	603 00 14-71	10-13	603 00 15-28	9-13
603 00 14-06	8-13, 8-53	603 00 14-72	10-13	603 00 15-29	9-13
603 00 14-07	8-13	603 00 14-73	10-13	603 00 15-30	9-13
603 00 14-10	8-53	603 00 14-74	10-13	603 00 15-31	9-13
603 00 14-17	8-45	603 00 14-75	10-13	603 00 15-32	9-7, 9-13
603 00 14-18	8-49	603 00 14-76	10-13	603 00 15-33	9-11
603 00 14-19	8-49, 8-53	603 00 14-77	10-13	603 00 15-34	9-11
603 00 14-20	8-49	603 00 14-78	10-13	603 00 15-35	9-11
603 00 14-21	8-51	603 00 14-79	10-13	603 00 15-36	9-11
603 00 14-22	8-47	603 00 14-80	10-13	603 00 15-37	9-11
603 00 14-23	8-51	603 00 14-81	10-3, 10-13	603 00 15-38	9-11
603 00 14-24	8-51, 8-53	603 00 14-82	10-13	603 00 15-39	9-11
603 00 14-25	8-51	603 00 14-83	9-5, 10-13	603 00 15-40	9-11
603 00 14-26	8-51	603 00 14-84	9-11, 10-13	603 00 15-41	9-11
603 00 14-27	8-25	603 00 14-85	9-11, 10-13	603 00 15-42	9-11
603 00 14-29	8-25	603 00 14-86	9-11, 10-13	603 00 15-43	9-11
603 00 14-30	8-25	603 00 14-87	9-9	603 00 15-44	9-11
603 00 14-31	8-25	603 00 14-88	9-9	603 00 15-45	9-11
603 00 14-32	8-45	603 00 14-89	9-9	603 00 15-46	9-11
603 00 14-33	8-45	603 00 14-90	9-9	603 00 15-47	9-11
603 00 14-34	8-47	603 00 14-91	9-9	603 00 15-48	9-11
603 00 14-35	8-47	603 00 14-92	9-9	603 00 15-49	9-11
603 00 14-36	8-47	603 00 14-93	9-9	603 00 15-50	9-11
603 00 14-37	8-47	603 00 14-94	9-9	603 00 15-51	9-11
603 00 14-38	8-47	603 00 14-95	9-9	603 00 15-52	9-11
603 00 14-39	8-47	603 00 14-96	9-9	603 00 15-53	9-11
603 00 14-40	8-47	603 00 14-97	9-9	603 00 15-54	9-11
603 00 14-41	8-47	603 00 14-98	9-9	603 00 15-55	9-7
603 00 14-42	8-47	603 00 14-99	9-9	603 00 15-56	9-7
603 00 14-43	8-47	603 00 15-00	9-9	603 00 15-58	9-7, 9-13
603 00 14-44	8-9	603 00 15-01	9-9	603 00 15-59	9-7
603 00 14-45	8-47	603 00 15-02	9-9	603 00 15-60	9-7
603 00 14-46	8-47	603 00 15-03	9-9	603 00 15-61	9-7
603 00 14-47	8-47	603 00 15-04	9-13	603 00 15-62	9-7
603 00 14-48	8-47	603 00 15-05	9-13	603 00 15-63	9-7
603 00 14-49	8-47, 8-53	603 00 15-06	9-13	603 00 15-64	9-7
603 00 14-50	8-9	603 00 15-07	9-13	603 00 15-65	9-7
603 00 14-51	8-9	603 00 15-08	9-13	603 00 15-66	9-7
603 00 14-52	8-47	603 00 15-09	9-13	603 00 15-67	9-7
603 00 14-53	8-47	603 00 15-10	9-13	603 00 15-68	9-5, 9-7
603 00 14-54	8-9	603 00 15-11	9-13	603 00 15-69	9-5
603 00 14-55	8-9, 8-53	603 00 15-12	9-13	603 00 15-70	9-5
603 00 14-56	8-11, 8-39, 8-49	603 00 15-13	9-13	603 00 15-71	9-5
603 00 14-57	8-21	603 00 15-14	9-13	603 00 15-72	9-5
603 00 14-59	8-7, 8-53	603 00 15-15	9-13	603 00 15-73	9-5
603 00 14-60	8-53, 14-9	603 00 15-16	9-13	603 00 15-74	9-5
603 00 14-61	10-11	603 00 15-17	9-13	603 00 15-75	9-5

INDEX

603 00 15-76	9-5	603 00 16-33	13-21	603 00 16-94	9-9
603 00 15-77	9-5	603 00 16-35	12-13	603 00 16-95	9-13
603 00 15-78	9-5	603 00 16-36	12-13	603 00 16-96	9-13
603 00 15-79	9-5	603 00 16-37	12-13	603 00 16-97	10-13
603 00 15-80	9-5	603 00 16-38	12-13	603 00 16-98	10-25, 10-27
603 00 15-81	9-5	603 00 16-39	12-13	603 00 16-99	10-25, 10-27
603 00 15-82	9-7, 9-13	603 00 16-40	13-15	603 00 17-00	8-5
603 00 15-83	9-5	603 00 16-41	13-13	603 00 17-01	8-5
603 00 15-84	9-5	603 00 16-42	13-13, 13-15, 13-17	603 00 17-02	8-5
603 00 15-85	1-11	603 00 16-43	13-13	603 00 17-03	8-5
603 00 15-86	8-3, 9-3	603 00 16-44	13-15	603 00 17-04	8-5
603 00 15-87	9-15	603 00 16-45	13-13, 13-15	603 00 17-05	8-9
603 00 15-88	10-5	603 00 16-46	13-15	603 00 17-06	8-9
603 00 15-89	1-11	603 00 16-47	13-13	603 00 17-07	8-9
603 00 15-90	13-21	603 00 16-48	13-13, 13-15	603 00 17-08	8-9
603 00 15-91	13-21	603 00 16-49	13-13, 13-15, 13-17	603 00 17-09	8-9
603 00 15-92	13-21	603 00 16-50	13-17	603 00 17-11	8-11
603 00 15-93	13-21	603 00 16-51	13-13, 13-15	603 00 17-12	8-11
603 00 15-94	3-11	603 00 16-52	13-17	603 00 17-13	8-11
603 00 15-95	1-15	603 00 16-53	13-13	603 00 17-15	8-15
603 00 15-96	3-3, 3-7	603 00 16-54	13-13	603 00 17-17	8-17
603 00 15-97	6-13, 6-15	603 00 16-55	13-13	603 00 17-18	8-19
603 00 15-98	14-3	603 00 16-56	13-17	603 00 17-19	8-23, 8-55
603 00 15-99	1-19, 6-13, 6-15, 7-7, 13-11	603 00 16-58	13-13, 13-17	603 00 17-20	8-23
603 00 16-00	7-7, 13-11	603 00 16-59	13-17	603 00 17-22	8-25
603 00 16-01	14-3	603 00 16-60	13-17	603 00 17-23	8-27
603 00 16-02	6-13, 6-15	603 00 16-61	8-5	603 00 17-24	8-27
603 00 16-03	6-5	603 00 16-62	8-9	603 00 17-25	8-29
603 00 16-04	1-13	603 00 16-63	8-33, 8-35	603 00 17-26	8-29
603 00 16-05	4-9	603 00 16-64	8-39	603 00 17-28	8-29
603 00 16-06	4-9, 6-13, 6-15	603 00 16-66	10-21	603 00 17-29	8-31
603 00 16-07	4-9, 6-13, 6-15	603 00 16-67	9-15, 10-7	603 00 17-30	8-31
603 00 16-08	12-9, 12-11	603 00 16-68	10-13	603 00 17-31	8-11, 8-53
603 00 16-09	12-9, 12-11	603 00 16-69	13-3	603 00 17-32	8-39
603 00 16-10	12-11	603 00 16-70	4-3, 4-5	603 00 17-33	8-39
603 00 16-11	12-9, 12-11	603 00 16-71	4-7	603 00 17-34	8-41
603 00 16-12	12-9, 12-11	603 00 16-72	1-11	603 00 17-35	8-41
603 00 16-13	12-9, 12-11	603 00 16-73	1-11	603 00 17-36	8-43
603 00 16-14	12-11	603 00 16-74	1-11	603 00 17-38	8-33
603 00 16-15	12-9	603 00 16-75	1-3, 1-5	603 00 17-39	8-33
603 00 16-16	12-9, 12-11	603 00 16-76	1-3, 1-5	603 00 17-40	8-33, 8-35
603 00 16-17	12-9, 12-11	603 00 16-77	7-13	603 00 17-41	8-33
603 00 16-18	12-9, 12-11	603 00 16-80	10-7	603 00 17-42	8-33, 8-35
603 00 16-19	12-9, 12-11	603 00 16-81	13-13, 13-17	603 00 17-43	8-33, 8-35
603 00 16-20	12-9	603 00 16-82	9-15	603 00 17-44	8-33, 8-35
603 00 16-21	13-21	603 00 16-83	9-15	603 00 17-46	8-5
603 00 16-22	13-13, 13-21	603 00 16-84	6-7, 13-3	603 00 17-47	14-9
603 00 16-23	13-13, 13-21	603 00 16-85	9-11	603 00 17-48	14-9
603 00 16-24	13-13, 13-21	603 00 16-86	9-11	603 00 17-49	14-9
603 00 16-25	13-23	603 00 16-87	9-11	603 00 17-50	14-11
603 00 16-26	13-23	603 00 16-88	10-11	603 00 17-51	8-33, 8-35
603 00 16-28	13-13, 13-21	603 00 16-89	10-11	603 00 17-52	8-51
603 00 16-29	13-21	603 00 16-90	9-9	603 00 17-53	8-51, 11-5
603 00 16-30	13-21	603 00 16-91	9-9	603 00 17-54	7-21
603 00 16-31	13-23	603 00 16-92	9-9	603 00 17-55	8-53
603 00 16-32	13-21	603 00 16-93	9-9	603 00 17-56	8-53

INDEX

603 00 17-57	8-55	603 00 18-29	8-13	603 00 19-19	15-9
603 00 17-58	8-23, 8-55	603 00 18-30	8-13	603 00 19-20	15-9
603 00 17-59	1-7, 1-11	603 00 18-31	8-13	603 00 19-21	15-9
603 00 17-60	1-11	603 00 18-32	15-3	603 00 19-23	15-9
603 00 17-62	8-5, 8-53	603 00 18-33	15-3	603 00 19-24	15-9
603 00 17-63	6-13, 6-15	603 00 18-34	15-3	603 00 19-25	15-9
603 00 17-64	14-3	603 00 18-35	15-3	603 00 19-26	15-9
603 00 17-65	14-3	603 00 18-36	15-11	603 00 19-27	15-11
603 00 17-66	1-11	603 00 18-37	15-3	603 00 19-28	15-9
603 00 17-67	3-3	603 00 18-38	15-3	603 00 19-29	15-9
603 00 17-68	3-7	603 00 18-39	15-3	603 00 19-30	15-9
603 00 17-69	1-3, 1-5	603 00 18-40	15-3	603 00 19-31	15-9
603 00 17-74	1-19	603 00 18-41	15-3	603 00 19-34	9-7
603 00 17-75	1-19	603 00 18-42	15-3	603 00 19-41	7-13
603 00 17-76	1-19	603 00 18-43	15-3	603 00 20-07	15-9
603 00 17-77	5-7, 5-9	603 00 18-44	15-3	603 00 26-87	15-7
603 00 17-78	9-5	603 00 18-46	15-3	603 00 26-90	1-19
603 00 17-79	13-23	603 00 18-47	15-3	603 00 26-91	1-19
603 00 17-80	13-13	603 00 18-48	15-3	603 00 27-66	1-3, 1-5
603 00 17-81	13-13	603 00 18-49	15-3	603 00 27-78	1-3, 1-5
603 00 17-82	13-17	603 00 18-50	15-5	603 00 27-85	1-3, 1-5
603 00 17-83	13-17	603 00 18-51	15-5	603 00 27-87	15-11
603 00 17-84	13-15	603 00 18-52	15-5	603 00 28-00	8-29, 8-53
603 00 17-85	13-15	603 00 18-53	15-5	603 00 28-01	8-29
603 00 17-86	13-15	603 00 18-54	15-5	603 00 28-06	6-3
603 00 17-87	13-13	603 00 18-55	15-5	603 00 28-20	4-11
603 00 17-88	13-23	603 00 18-56	15-5	603 00 28-26	13-15
603 00 17-89	13-23	603 00 18-57	15-5	603 00 28-36	13-15
603 00 17-90	13-23	603 00 18-58	15-5	603 00 28-37	13-17
603 00 17-91	13-23	603 00 18-59	15-5	603 00 28-85	8-3
603 00 17-92	1-17, 3-11	603 00 18-60	15-5	603 00 29-24	4-13
603 00 17-93	3-11	603 00 18-61	15-5	603 00 29-25	4-13
603 00 17-94	3-11	603 00 18-62	15-5	603 00 29-30	4-13
603 00 17-96	3-11	603 00 18-63	15-5	603 00 29-35	15-5
603 00 17-97	3-11	603 00 18-64	15-5	603 00 29-36	15-5
603 00 17-98	7-13	603 00 18-67	15-5	603 00 29-38	15-5
603 00 17-99	7-13	603 00 18-75	15-5	603 00 29-39	15-5
603 00 18-10	8-11	603 00 18-78	15-11	603 00 29-40	15-5
603 00 18-11	8-11	603 00 18-81	15-7	603 00 29-41	15-5
603 00 18-12	1-13	603 00 18-83	15-7	603 00 29-47	11-3, 11-5
603 00 18-13	8-13	603 00 18-86	15-7	603 00 29-63	1-15, 6-5
603 00 18-14	8-21	603 00 18-87	15-7	603 00 29-92	15-7
603 00 18-15	8-31	603 00 18-89	15-7	603 00 30-09	12-11
603 00 18-16	8-31	603 00 18-90	15-7	603 00 30-35	13-15
603 00 18-17	8-31	603 00 18-92	15-7	603 00 30-57	10-5, 10-9
603 00 18-18	8-31, 8-37	603 00 18-94	15-7	603 00 33-69	15-7
603 00 18-19	8-33, 8-35, 8-45	603 00 18-95	15-7	603 00 33-70	15-7
603 00 18-20	8-33, 8-35, 8-45	603 00 18-96	15-7	603 00 33-71	15-7
603 00 18-21	8-33, 8-35	603 00 19-10	15-9	603 00 33-72	15-7
603 00 18-22	8-49	603 00 19-11	15-9	603 00 33-73	15-7
603 00 18-23	8-13, 8-53	603 00 19-13	15-9	603 00 33-74	15-7
603 00 18-24	8-13	603 00 19-14	15-9	603 00 33-75	15-7
603 00 18-25	8-13	603 00 19-15	15-9	603 00 33-76	15-7
603 00 18-26	8-13	603 00 19-16	15-9	603 00 33-77	15-7
603 00 18-27	8-13	603 00 19-17	15-9	603 00 33-78	15-7
603 00 18-28	8-13, 14-9	603 00 19-18	15-9	603 00 33-79	15-7

INDEX

603 00 33-80 15-7
603 00 33-81 15-7
603 00 35-22 5-9
603 00 35-23 5-9
603 00 35-24 5-9
603 00 35-25 5-9
603 00 35-26 5-7, 5-9
603 00 35-29 6-5
603 00 35-44 6-7
603 00 35-62 13-3
603 00 35-63 13-7
603 00 35-74 13-23
603 00 35-75 13-23
603 00 35-93 9-7
603 00 36-06 1-11
603 00 36-13 15-9
603 00 36-17 1-19
603 00 37-70 9-7, 9-11
603 00 38-04 10-3
603 00 38-40 5-3, 5-5
603 00 40-08 13-23
603 00 40-79 1-9
603 00 41-17 6-13, 6-15
603 00 41-37 5-9
603 00 41-38 5-9
603 00 41-68 7-19, 7-21
603 00 41-69 7-19, 7-21
603 00 44-12 12-3, 12-5
603 00 44-13 6-3
603 00 44-14 6-9, 6-11
603 00 44-75 4-3, 4-5
603 00 44-76 4-5
603 00 44-77 8-35
603 00 44-78 8-35
603 00 44-79 8-35
603 00 44-80 8-35
603 00 45-07 13-15

A

A-arm 6-7
absorber, shock 6-9, 6-11
accelerator cable 10-15, 10-19
accelerator pedal 5-3
accelerator pedal adjustment tool 15-3
accessory receptacle 7-19, 7-21
actuator 1-15
adapter
actuator 1-15
cable (IQDM) 15-7
hose 9-15
intake, engine 10-13
tube 9-15, 10-7
adapter, oil filter 9-15
adhesive, guide ring 15-3
adjuster
hydraulic brake 15-7

adjuster, forward/aft 1-9
adjuster, slide 13-3
adjuster, slider 1-9
adjuster, spring 10-23
air clean support 10-25, 10-27
air filter 10-25, 10-27
air filter canister 10-25, 10-27
air filter evacuator 10-25, 10-27
alternator 8-33, 8-35
alternator belt 8-35
arbor 15-3
arm
A- 6-7
governor 13-17
lower 6-7
rocker 8-47
valve rocker 9-11
arm, swing 6-13, 6-15
assembly
accelerator pedal 5-3
adjusting bolt 8-29
alternator 8-33
bearing case cover 8-19
brake line 4-9
brake pedal 5-5, 5-7, 5-9
brake rotor 13-3, 13-21
brush guard 1-3, 1-5
bucket seat 1-9
camshaft 8-21, 9-13
case, main bearing 8-19
connecting rod 8-23, 9-13
crankcase cover 9-9
cylinder head cover 8-13
drain cock 8-5
filler cap 4-7
forward/reverse 7-7, 13-11
fuel camshaft 8-27
fuel cap 10-9
fuel filter 10-7
fuel injection pump 8-37
fuel pump 10-7, 10-13
fuel tank vent 10-5, 10-9
gear case 13-13, 13-23
governor 9-9
governor arm 13-17
governor fork 8-43
governor fork lever 8-43
headlight 7-13
hinge, tilt bed 1-13
idle apparatus 8-29
inner ball joint 6-5
intake manifold 8-49
muffler 13-3
nozzle holder 8-41
oil pump 8-17
oil pump cover 9-9

overflow pipe 8-41
park brake pedal 5-7, 5-9
pinion 13-23
piston ring 8-23, 8-55
reservoir, remote 4-7
rocker arm 8-47
slide adjuster 13-3
speed plate 8-39
tailgate 1-17
tank, coolant expansion 14-5
tether 1-17
thermostat 14-9
tilt bed 1-13
tire 2-3, 2-5
valve, lifter 9-13
valve, solenoid 10-11
water pump 14-11
wire 7-23, 7-25, 10-5, 10-9
assembly, sub-
A-arm, upper 6-7
fly weight 13-17
front differential upright 13-3
gear case 13-13
governor spool 13-17
moveable drive clutch 12-9, 12-11
spider 12-9, 12-11
stationary 12-9, 12-11
swingarm 6-13, 6-15
weight clutch 12-9, 12-11
axle 13-21
axle tube 13-23
axle, rear, guard mounts 13-21

B

ball
check 8-21
crankshaft 8-23
governor 8-27
injection pump 8-27
steel 9-9
valve 8-11
ball joint 6-7, 13-3, 13-19
band, pipe 14-9, 14-13
banjo bolt 4-3, 4-5
bar clamp 14-7
bar, side step 1-19
bar, sway 6-11
barb, vent 10-3, 10-7
barrier, heat 1-11
base, seat holder 1-11
battery clamp 7-23, 7-25
battery discharge machine 15-3
battery terminal protector spray 15-3
battery thermometer 15-3
battery, 12-volt 7-23, 7-25
bearing

INDEX

- ball (steering pinion) 6-5
 - lower pinion 6-5
 - needle 9-13, 13-5, 13-13, 13-15, 13-23
 - radial ball 9-13
 - bearing and oil seal remover 15-3
 - bearing case cover 8-19
 - bearing case, main 8-19
 - bearing driver set 15-3
 - bearing puller 15-3
 - bearing puller wedge 15-3
 - bed, tilt 1-13
 - bell crank kit 4-13
 - bellcrank 5-9, 13-15
 - bellows 6-5, 13-21
 - belt guard 8-35
 - belt, alternator 8-35
 - belt, drive 12-7
 - belt, V- 8-33
 - bezel, fuel fill 1-19
 - block, differential spacer 13-3
 - block, engine 8-5
 - block, fuse 7-15, 7-17
 - bobbin, coil with press fit 13-5
 - body wrap 1-21
 - body, front 1-3, 1-5
 - bolt
 - adjusting 8-29
 - banjo 4-3, 4-5
 - drain plug 9-9
 - bracket
 - actuator 1-15
 - anti-sway bar 6-11
 - brake line 4-9, 6-7
 - brake pedal 5-5
 - choke cable 10-13
 - coolant bottle 14-5
 - cover inlet 12-5
 - equalizer 4-11, 4-13
 - governor arm 10-23
 - governor cable 10-23
 - hydraulic line 4-9, 6-13, 6-15
 - muffler 11-3, 11-5
 - oil filter mount 9-15
 - park brake 5-9
 - radiator mount, upper 14-3
 - rocker arm 8-47
 - seatbelt 1-11
 - steering support 1-7
 - transmission cable 8-3, 9-3, 13-19
 - transmission mounting 8-3, 9-3
 - brake adjustment tool 15-3
 - brake cable 4-13
 - brake cable release tool 15-3
 - brake caliper 4-3, 4-5
 - brake caliper return spring 4-5
 - brake fluid reservoir 4-7
 - brake line 4-9
 - brake pad service kit 4-3, 4-5
 - brake pedal 5-5, 5-7, 5-9
 - brake pedal adjustment tool 15-3
 - brake pedal tension tool 15-3
 - brake return spring 4-11, 4-13
 - brake rotor 13-3, 13-21
 - brake, park, cable pulley kit 4-11
 - breather cover 8-13
 - breather shield 8-13
 - breather tube 8-13, 10-13
 - breather valve 8-13, 9-13
 - brush guard 1-3, 1-5
 - bucket seat 1-9
 - buckle, seatbelt 1-11
 - bulb, headlight 7-13
 - bullet, detent 13-15
 - bumper
 - bed 1-15
 - rubber 1-17
 - stud 14-3
 - bushing 1-15
 - A-arm 6-7
 - anti-sway bar 6-11
 - arm, lower 6-7
 - flanged bronze 8-21
 - forward/reverse 7-7, 13-11
 - greaseless 5-3, 5-5
 - link 6-11
 - Permgilide 13-5
 - piston pin 8-23, 8-55
 - pivot, urethane 6-13, 6-15
 - plain 13-7
 - return line 10-9
 - self-lubricating 13-5
 - steel 1-13
 - teflon 6-13, 6-15
 - urethane 1-13
 - button, thrust 13-5
 - buzzer, reverse 7-7, 13-11
- ## C
- cable
 - accelerator 10-15, 10-19
 - bell crank 4-13, 5-9
 - brake 4-13
 - choke 10-17
 - governor 10-23
 - IQDM 15-7
 - park brake 4-11
 - transmission 13-19
 - cage, roll 13-5
 - calibration test module 15-3
 - caliper, brake 4-3, 4-5
 - cam installation tool 15-3
 - camshaft 8-21, 9-13
 - camshaft, fuel 8-27
 - canister, air filter 10-25, 10-27
 - cap
 - air filter 10-25, 10-27
 - bolt assembly 8-29
 - connecting rod 9-13
 - filler 4-7
 - fuel 10-9
 - fuel tank 10-5
 - inlet 12-5
 - noise suppressor 9-5, 9-7
 - oil filler 9-9
 - pressure 14-5
 - radiator 14-3
 - rubber 13-3
 - sealing 8-5, 8-9
 - spark plug 9-5, 9-7
 - speed control plate 8-39
 - steering wheel 6-3
 - valve 8-47
 - cap, front corner 1-17
 - carburetor air vent tube 10-3, 10-7
 - carburetor float level tool 15-7
 - carburetor, Honda 10-11
 - card, safety first 15-9
 - case
 - gear 8-11, 13-13, 13-21, 13-23
 - governor ball 8-27
 - main bearing 8-19
 - case cover, bearing 8-19
 - chain, transmission 13-13
 - charge coil 9-7
 - charger bezel tool 15-3
 - choke cable 10-17
 - clamp
 - bar 14-7
 - battery 7-23, 7-25
 - breather tube 8-13
 - hose 10-3, 10-7
 - p- (fuel filter) 1-3, 1-5, 4-9, 8-3, 9-3, 10-7
 - pipe 8-41
 - wire 9-7, 9-13
 - clevis pin 4-7
 - clip
 - hair pin 1-17
 - clip, brake line 4-9, 10-15, 10-17, 10-19, 13-19
 - clip, breather tube 10-13
 - clip, governor 9-9
 - clip, meter 7-19, 7-21
 - clip, piston pin 9-13
 - clip, return pipe 8-41
 - clip, tube 10-3, 10-13
 - clip, wire harness 10-13
 - closeout 1-9

INDEX

- clutch 12-13
 - clutch alignment tool 15-5
 - clutch cover 12-9, 12-11
 - clutch housing 13-5
 - clutch removal tool 15-3
 - clutch tool kit 15-5
 - clutch, diesel 12-11
 - clutch, gas 12-9
 - coil
 - charge 9-7
 - ignition 9-7
 - pocket insert 13-5
 - coil with press-fit bobbin 13-5
 - collar, alternator assembly 8-33, 8-35
 - collar, crankshaft 8-23
 - collar, idle gear 8-21
 - collar, lever 8-39
 - collet 8-47
 - column, steering 6-3
 - communication display module 15-5
 - compression gauge 15-5
 - compressor, piston ring 15-9
 - compressor, valve spring 15-11
 - connecting rod 8-23, 9-13
 - connector, relay 7-15, 7-17
 - console, drink holder 1-9
 - continuity tester 15-5
 - coolant exchanger 14-3
 - coolant expansion tank 14-5
 - coolant fill tee 14-3
 - coolant lamp sensor 14-9
 - coolant pipe 14-7
 - coolant pipe mounting tab 14-7
 - coolant temperature indicator light 7-21
 - cooling fan 9-5, 14-3
 - cord, glow plug 8-41
 - corner cap 1-17
 - cotter, rue ring 6-13, 6-15
 - cover 9-9
 - alternator assembly 8-33
 - bearing case 8-19
 - breather 8-13, 9-13
 - cargo box 1-21
 - clutch 12-9, 12-11
 - crankcase 9-9
 - CVT 8-3, 9-3, 12-3, 12-5, 12-9, 12-11
 - cylinder head 8-13
 - electrical 7-15, 7-17
 - engine 10-21
 - fan 9-5
 - fuel camshaft 8-5
 - head 9-11
 - head filler 9-11
 - heat proof 8-51
 - input 13-7
 - oil filter 9-9
 - oil pump 9-9
 - thermostat 14-9
 - cover plate, output 13-5
 - cover, steering column 6-3
 - cowl 1-3, 1-5
 - cowl support, ROPS 1-3, 1-5, 1-11
 - crank 8-23
 - crankcase 9-9
 - crankcase cover 9-9
 - crankshaft 8-23, 9-13
 - C-type stop ring 6-5
 - cup holder, seat 1-9
 - cutter, valve seat 15-5, 15-11
 - CVT 12-13
 - CVT cover kit, sealed 12-5
 - CVT cover kit, unsealed 12-3, 12-5
 - cylinder head 8-9, 9-11
 - cylinder head cover 8-13
 - cylinder, master 4-7
- ## D
- dash, front 1-7
 - dashboard 1-3, 1-5
 - decal
 - bed 3-11
 - bed load warning 3-3, 3-7
 - cowl 3-11
 - crush area warning 3-3, 3-7
 - diesel 3-11
 - diesel fuel only 3-7
 - driver/passenger 3-5, 3-9
 - ground warning 3-5, 3-9
 - high capacity 3-11
 - hot manifold warning 3-9
 - hot surface warning 1-9, 3-5, 3-9, 14-7
 - Husqvarna tailgate 1-17, 3-11
 - operating instructions 3-5, 3-9
 - ROPS certification 1-11, 3-3, 3-7
 - rotating parts 3-3
 - rotating parts and hot manifold 3-5, 3-9
 - rotating parts warning 3-7, 3-9
 - side panel 3-11
 - trailer hitch 3-3, 3-7
 - under 16 warning 1-11, 3-3, 3-7
 - vehicle loading 3-3, 3-7
 - warning, diesel instrument panel 3-7
 - warning, gas instrument panel 3-3
 - winch cable warning 3-5, 3-9
 - deflector oil 13-13
 - diaphragm tube 10-13
 - diesel tachometer probe 15-9
 - differential housing 13-23
 - differential, front 13-5
 - diode, engine stop 9-7
 - dipstick, oil 9-9
 - disc 4-11
- ## E
- E-clip 4-11, 4-13
 - elbow 10-9
 - end, tie rod 6-5
 - engine block 8-5
 - engine, diesel, Kubota D722 with closed breather 8-3
 - engine, Honda 9-3
 - equalizer 4-11, 4-13
 - exchanger, engine coolant 14-3
 - exhaust header 11-3
 - exhaust valve 8-47, 9-11
 - expansion tank, coolant 14-5
- ## F
- fan shroud 14-3
 - fan, cooling 9-5, 14-3
 - fastener, push-in 7-15, 7-17
 - fender, front 1-3, 1-5
 - fender, rear 1-19
 - filler cap 4-7
 - filter
 - air 10-25, 10-27
 - fuel 10-3, 10-7, 10-13
 - inlet cover 12-5
 - oil 8-7, 8-11, 9-15
 - filter, air, canister 10-25, 10-27
 - fitting, thread-forming grease 6-13, 6-15
 - flange, water 14-9
 - float set 10-11
 - floor mat 1-3, 1-5
 - floor plate, bed 1-13
 - fly weight 13-17

INDEX

flywheel 8-25, 9-7
flywheel puller 15-7
FNR shifter bracket 8-3, 9-3, 13-19
fork, transmission 13-17
forward/reverse assembly 7-7, 13-11
Forward/Reverse shifter 7-7, 13-11
frame, tilt bed 1-13
front body 1-3, 1-5
front differential 13-5
front panel 1-19
fuel camshaft 8-27
fuel cap 10-9
fuel filter 10-3, 10-7, 10-13
fuel gauge sending unit 10-5, 10-9
fuel injection pump 8-37
fuel pickup tube 10-9
fuel pump 10-7, 10-13
fuel tank (diesel) 10-9
fuel tank (gasoline) 10-5
fuel tank cap 10-5
fuel tank strap 10-3, 10-7
fuel tank vent 10-5, 10-9
fuel tank, diesel 10-9
fuel tank, gas 10-5
fuel tube 10-13
fuel-hour gauge 7-19, 7-21
fuse
 10-amp 7-15, 7-17
 25-amp 7-15, 7-17
 30-amp 7-17
fuse block 7-15, 7-17

G

gasket
 bearing case 8-19, 8-53
 breather cover 9-13
 carburetor 10-13
 carburetor adapter 10-13
 carburetor bowl 10-11
 case cover 9-9
 clutch cover 12-9, 12-11
 control plate 8-39, 8-53
 cover 8-19, 8-53, 12-5
 cylinder head 8-9, 8-53, 9-11
 cylinder head cover 8-13, 8-53, 9-11
 drain plug 8-7
 exhaust 8-53, 11-3, 11-5
 ex-manifold 8-51, 8-53
 fuel pump 8-5, 8-53
 gearcase 8-11, 8-53
 head cover 8-53
 head cover nut 8-29, 8-39, 8-41, 8-53
 idle apparatus 8-29, 8-53
 intake manifold 8-49, 8-53, 9-11, 10-13
 liquid 15-7
 nozzle 8-41

oil pump 8-17, 8-53
sending unit 10-5, 10-9
thermostat 8-53, 14-9
water flange 8-53, 14-9
water pump 8-53, 14-11
gauge, compression 15-5
gauge, fuel-hour 7-19, 7-21
gauge, oil 8-15
gear
 cam 8-21
 case 8-11, 13-13, 13-21, 13-23
 crank 8-23
 helical 13-15, 13-17
 idle 8-21
 injection pump 8-27
 oil pump drive 8-17
 ring 8-25, 13-5, 13-23
gear ring engagement 13-15
gear yoke 15-7
glow plug 8-41
glow plug cord 8-41
governor 9-9
governor arm 13-17
governor cable 10-23
governor fork lever 8-43
governor guard 10-23
governor lever 8-39
governor shaft installation tool 15-7
governor spool 13-17
governor wire 10-23
grid, screen 9-5
grill 1-3
grip tape, accelerator pad 5-3
grommet 10-5, 10-9, 10-13, 13-5
grommet tool 9-7
guard
 brush 1-3, 1-5
 governor 10-23
 radiator 14-3
 splash 1-7
guard, belt 8-35
guide
 accelerator cable 5-3
 detent bullet 13-15
 exhaust valve 8-9
 inlet valve 8-9
 oil gauge 8-15
 valve seat cutter 15-11
guide ring adhesive 15-3

H

hair pin clip 1-17
half shaft 13-3
handle, park brake 5-7, 5-9
hanger, engine 9-5
harness, headlight 7-13

harness, wire 7-5, 7-11
head, cylinder 8-9, 9-11
header, exhaust 11-3
headlight assembly 7-13
headlight bulb 7-13
headlight harness 7-13
headlight spacer 7-13
heat barrier 1-11
heat seal 8-41
helical gear 13-15, 13-17
hinge plate 1-9
hinge, tilt bed 1-13
holder
 drink 1-9
 fork lever 8-43
 screen grid 9-5
Honda engine 9-3
hook, engine 8-9
hose 14-5
 coolant 14-3, 14-7
 fuel filter 10-7
 fuel pump 10-7
 fuel return 10-7
 inlet cover 12-5
 intake 10-25, 10-27
 oil, remote 9-15
 overflow 8-41
 vent 8-3, 9-3, 13-3, 14-5, 14-7
hose, outlet 12-3, 12-5
housing
 clutch 13-5
 differential 13-23
 Mate-N-Lock 13-5
 steering gear 6-5
hub 4-11
hub, race/output 13-5
hydraulic brake adjuster 15-7
hydrometer 15-7

I

idle apparatus 8-29
idle gear 8-21
ignition coil 9-7
injection pump gear 8-27
inlet valve 8-47, 9-11
insert, carburetor adapter 10-13
insulator, carburetor 10-13
intake adapter, engine 10-13
intake manifold 8-49
internal retaining ring pliers 15-7
IQ display module (IQDM) 15-7
isolator ring and bushing 8-3, 9-3
isolator, twin stud 14-3

INDEX

- J**
jet, main 10-11
joint
 ball 6-7, 13-3, 13-19
 eye 8-37
 pipe 8-11
- K**
key
 feather 8-17, 8-21, 8-23, 8-27
 pair 7-21
 woodruff 9-7, 9-13
key (pair) 7-19
key switch 7-19, 7-21
key switch spacer 7-19
keyswitch nut 7-19
kit
 anti-sway 6-11
 bolt 13-5
 brake pad service 4-3, 4-5
 brake pedal adjustment tool 15-3
 camo cover 1-21
 clutch 13-5
 cover plate, input 13-7
 cover plate, output 13-5
 drain plug 13-5
 forward gear repair 13-15
 gasket 8-53
 governor shaft repair 13-17
 H-clip spring 13-5
 input shaft repair 13-17
 IQ display module (IQDM) 15-7
 neutral switch repair 13-15
 nozzle holder 8-41
 park brake handle 5-7, 5-9
 piston rebuild 8-55
 race output hub 13-5
 rear axle gear repair 13-23
 repair, minor 13-5
 reverse gear repair 13-13
 roll cage 13-5
 roller 13-5
 ROPS 1-11
 transmission shift shaft repair 13-15
 tune-up 15-9
knob, forward/reverse 7-7, 13-11
knob, light switch 7-19, 7-21
knuckle, slider steering 6-3
- L**
latch, access panel 1-3, 1-5
latch, slam 1-17
latch, spring 1-17
lever
 engine stop 8-39
- fork 8-43
governor 8-39
lost motion 5-3
speed control 8-39
light
 oil 7-19, 7-21
light switch 7-19, 7-21
light switch knob 7-19, 7-21
light, coolant temperature indicator 7-21
limit switch 7-7, 13-11
line, brake reservoir 4-7
link, drag 6-5
liquid gasket 15-7
low oil warning light 7-19, 7-21
lubricant, dry moly 15-7
lubricant, moly-teflon 15-7
- M**
main jet 10-11
manifold
 exhaust 8-51
 inlet 9-11, 10-13
 intake 8-49
mat, floor 1-3, 1-5
Mate-N-Lock housing 13-5
Mate-N-Lock pin 13-5
meter clip 7-19, 7-21
meter, volt ohm 15-11
module
 calibration test 15-3
 communication display 15-5
moly-teflon lubricant 15-7
motor
 starter 8-45, 9-7
mount, link 6-11
moveable drive clutch 12-9, 12-11
muffler 11-3, 11-5, 13-3
- N**
nipple, remote oil 9-15
noise suppressor cap 9-5, 9-7
nongrease/spacers locker 13-23
nozzle holder 8-41
nozzle, main 10-11
nut, keyswitch 7-19
nut, toggle switch 7-19, 7-21
- O**
oil deflector 13-13
oil dipstick 9-9
oil filter 8-7, 8-11, 9-15
oil filter screen 9-9
oil pan 8-7
oil pressure switch 8-5, 9-7
oil pump 8-17
oil pump drive gear 8-17
oil seal 8-11, 8-19, 9-9, 9-13, 13-5, 13-7
oil slinger 8-23
oil warning light, low 7-19, 7-21
O-ring 8-5, 8-7, 8-9, 8-11, 8-13, 8-23, 8-31, 8-39, 8-53, 9-15, 13-5, 13-7
overflow pipe 8-41
- P**
paint, touch-up 15-7
pan
 center 1-9
 oil 8-7
 seat 1-9
panel
 access 1-3, 1-5
 left 1-17
 right 1-17
 side 1-19
panel, front 1-17, 1-19
park brake cable 4-11
park brake pedal 5-7, 5-9
p-clamp (fuel filter) 1-3, 1-5, 4-9, 8-3, 9-3, 10-7
pedal, accelerator 5-3
pedal, brake 5-5, 5-7, 5-9
pin, clevis 4-7
pin, dowel 13-5
pin, Mate-N-Lock 13-5
pin, piston 8-23, 8-55, 9-13
pin, slide, caliper slide pin 4-3, 4-5
pinion 13-23
pinion, steering 6-5
pipe
 breather 8-49
 coolant 14-7
 exhaust 11-3, 11-5
 injection 8-41
 overflow 8-41
 water 14-13
 water return 8-13, 14-9
pipe band 14-9, 14-13
pipe clamp 8-41
pipe, coolant 14-7
piston 8-23, 8-55, 9-13
piston pin 8-23, 8-55, 9-13
piston ring 8-23, 8-55
piston ring compressor 15-9
piston ring pliers 15-9
piston ring set 9-13
pivot, rocker arm 9-11
plate
 armature 13-5
 back 1-13, 1-15
 cover, output 13-5
 electrical 7-15, 7-17

INDEX

- engine block 8-5
- engine mounting 8-3, 9-3
- engine, left side 9-5
- floor, bed 1-13
- fuel/oil 9-15, 10-7
- hinge 1-9
- push rod guide 9-11
- shroud 8-25, 9-5
- speed 8-39
- speed control 8-39
- thrust 13-5
- pliers
 - internal retaining ring 15-7
 - piston ring 15-9
 - retaining ring 15-9
- plug
 - drain 8-7
 - driven clutch puller 15-5
 - engine block 8-5, 8-9, 8-11, 13-13, 13-21
 - expansion 8-5
 - gearcase 13-13, 13-21
 - glow 8-41
 - oil drain 13-5
 - oil fill 13-5
 - oil filler 8-13
- plug, spark 9-7, 9-11
- press weldment 15-5
- prop shaft 13-9
- protector spray, battery terminal 15-3
- puller
 - bearing 15-3
 - clutch 15-3
 - drive clutch 15-5
 - drive clutch hub 15-5
 - driven clutch cam 15-5
 - flywheel 15-7
 - seal 15-9
 - special use tool 15-9
- pulley
 - fan drive 8-33, 8-35
 - mount 4-11
 - water pump 8-33, 8-35
- pulley, brake, park, cable, kit 4-11
- pullrod, compression spring 5-3
- pump
 - fuel 10-7, 10-13
 - fuel injection 8-37
 - oil 8-17
 - water 14-11
- push rod 8-21, 9-11
- R**
- rack guide pressure spring 6-5
- rack, steering 6-5
- radiator 14-3
- radiator cap 14-3
- radiator guard 1-5, 14-3
- radiator pipe 14-7
- reamer, valve guide 15-9
- receiver, rear 6-13, 6-15
- receptacle, accessory 7-19, 7-21
- regulator, voltage 9-15
- relay 7-15, 7-17
- relay connector 7-15, 7-17
- remover, bearing and oil seal 15-3
- reservoir, brake fluid 4-7
- reservoir, remote 4-7
- retainer
 - spring (driven clutch) 12-13
 - valve spring 8-47, 9-11
- retaining ring 13-3
- retaining ring pliers 15-9
- retractor, seat belt 1-11
- reverse buzzer 7-7, 13-11
- ring
 - piston 8-23, 8-55
 - snap 6-5
- ring gear 8-25, 13-5, 13-23
- ring set, piston 9-13
- ring, C-type stop 6-5
- ring, retaining 13-3
- rivet, blind push 1-7
- rocker arm 8-47
- rocker arm pivot 9-11
- rod
 - connecting 8-23, 9-13
 - crank crank rod 8-23
 - push 8-21, 9-11
- roll cage 13-5
- roller weight 12-9, 12-11
- roller, torque 12-9, 12-11
- ROPS certification decal 1-11, 3-3, 3-7
- ROPS cowl support 1-3, 1-5, 1-11
- ROPS kit 1-11
- ROPS support tube 1-11
- ROPS top 1-11
- ROPS weldment 1-11
- rotator, valve 9-11
- rotor, brake 13-3, 13-21
- rotor, oil pump 9-9
- rubber bumper 1-17
- S**
- safety first card 15-9
- screen grid 9-5
- screen, oil filter 9-9
- screw, valve clearance adjuster 15-9
- seal
 - dual lip 13-13, 13-15, 13-17, 13-23
 - heat 8-41
 - oil 8-11, 8-19, 9-9, 9-13, 13-5, 13-7
- steering pinion dust 6-5
- triple lip 13-13
- valve stem 8-47, 8-53, 9-11
- seal puller 15-9
- seat
 - bucket 1-9
 - valve 8-11
 - valve spring 9-11
- seat belt retractor 1-11
- seat holder base 1-11
- seat, bucket 1-9
- seatbelt buckle 1-11
- sending unit, fuel gauge 10-5, 10-9
- sensor, coolant lamp 14-9
- service kit, brake pad 4-3, 4-5
- shaft
 - CVT adapter 8-3
 - drive 13-9
 - fork lever 8-43
 - governor arm 9-13
 - governor lever 8-39
 - idle gear 8-21
 - input 13-17
 - intermediate 13-15
 - output 13-17
 - pinion 13-7
 - prop 13-9
 - rock arm 8-47
- shaft shift 13-15
- shaft, half 13-3
- sheave, drive clutch base 12-13
- sheave, driven clutch 12-13
- shield, breather 8-13
- shield, exhaust 11-5
- shift, shaft 13-15
- shim 12-9, 12-11, 13-23
- shim, armature plate 13-5
- shim, injection pump 8-37
- shock absorber 6-9, 6-11, 6-13, 6-15
- shroud 9-5
 - head 9-5
- shroud, fan 14-3
- side panel 1-19
- side step bar 1-19
- slam latch 1-17
- sleeve
 - crankshaft 8-23
 - governor 8-27
 - link 6-11
 - lower suspension 6-7
 - upper suspension 6-7
- slide pin 4-3, 4-5
- slide, adjuster 13-3
- slider, governor 9-9
- slinger, oil 8-23
- snap ring 6-5

INDEX

- solenoid, stop 8-31
 - spacer
 - engine 8-3
 - headlight 7-13
 - key switch 7-19
 - spacer block, differential 13-3
 - spanner wrench 15-9
 - spark plug 9-7, 9-11
 - spark plug cap 9-5, 9-7
 - speed plate 8-39
 - spider 12-9, 12-11
 - splash guard 1-7
 - spray, battery terminal protector 15-3
 - spring
 - access panel 1-3, 1-5
 - brake caliper return 4-5
 - brake return 4-11, 4-13
 - carburetor 10-23
 - choke spring 10-23
 - compression 10-23, 12-9, 12-11, 12-13
 - continuity 10-13
 - detent bullet 13-15
 - exhaust 11-3, 11-5
 - governor 8-43
 - governor idle 10-23
 - idle apparatus 8-29
 - pedal 5-3
 - pedal stop 5-3
 - rack guide pressure 6-5
 - relief valve 9-9
 - return 8-39
 - rocker arm 8-47
 - start 8-9, 8-43
 - torsion 5-3
 - valve 8-11, 8-47, 9-11
 - spring latch 1-17
 - sprocket 13-13
 - start spring 8-43
 - starter motor 8-45, 9-7
 - stay
 - alternator assembly 8-33
 - cylinder head 8-9
 - fuel pump 10-13
 - spring 8-11
 - stop solenoid 8-31
 - steel bushing 1-13
 - steering column 6-3
 - steering column bearing press tool 15-9
 - steering column cover 6-3
 - steering column retaining ring tool 15-9
 - steering gear housing 6-5
 - steering pinion dust seal 6-5
 - steering rack 6-5
 - steering wheel 6-3
 - steering wheel puller tool 15-9
 - stem, valve 2-3, 2-5
 - step bar, side 1-19
 - stop solenoid stay 8-31
 - stopper, camshaft 8-21
 - stopper, fuel camshaft 8-27
 - strap, fuel tank 10-3, 10-7
 - stud 8-3, 8-37, 8-51, 14-13
 - engine 9-7
 - idle adjustment 8-29
 - self-clinching 1-17
 - support yoke (steering) 6-5
 - support, access panel 1-3, 1-5
 - sway bar 6-11
 - swingarm 6-13, 6-15
 - switch
 - indicator (transmission) 13-15
 - key 7-19, 7-21
 - light 7-19, 7-21
 - limit 7-7, 13-11
 - oil pressure 8-5, 9-7
 - toggle 7-19, 7-21
- ## T
- 12-volt battery 7-23, 7-25
 - tab, coolant pipe mounting 14-7
 - tachometer 15-9
 - tachometer probe, diesel 15-9
 - tailgate 1-17
 - tailgate angle 1-17
 - tank
 - coolant expansion 14-5
 - tank, fuel 10-5, 10-9
 - tank, fuel (diesel) 10-9
 - tank, fuel (gasoline) 10-5
 - tape, grip, accelerator pad 5-3
 - tape, vinyl foam 1-9, 1-13, 14-3
 - tappet 8-21
 - tee, coolant fill 14-3
 - temperature indicator light, coolant 7-21
 - tester, continuity 15-5
 - tether 1-17
 - thermometer, battery 15-3
 - thermostat 14-9
 - thread-forming grease fitting 6-13, 6-15
 - thrust button 13-5
 - thrust plate 13-5
 - tie rod end 6-5
 - tie wrap 1-15, 4-9, 4-11, 4-13, 6-5
 - tilt bed 1-13
 - tilt bed frame 1-13
 - tire 2-3, 2-5
 - toggle switch 7-19, 7-21
 - tool
 - accelerator pedal adjustment 15-3
 - belt tensioning, starter/generator 15-11
 - brake adjustment 15-3
 - brake cable release 15-3
 - brake pedal adjustment 15-3
 - brake pedal tension 15-3
 - cam installation 15-3
 - carburetor float level 15-7
 - charger bezel 15-3
 - clutch alignment 15-5
 - cT-wrench 15-5
 - drive clutch fixed sheave 15-5
 - drive clutch holder 15-5
 - drive clutch spider removal 15-5
 - driven clutch spring compression base 15-5
 - driven clutch spring compression collar 15-5
 - driven clutch spring compression nut 15-5
 - governor shaft installation 15-7
 - grommet 9-7
 - puller, special use 15-9
 - steering column bearing press 15-9
 - steering column retaining ring 15-9
 - steering wheel puller 15-9
 - transaxle axle seal 15-9
 - transaxle pinion seal 15-9
 - transmission 15-9
 - valve guide driver 15-9
 - valve seat cutter 15-5
 - tool kit, clutch 15-5
 - top, ROPS 1-11
 - torque converter 12-13
 - torque roller 12-9, 12-11
 - touch-up paint 15-7
 - transaxle axle seal tool 15-9
 - transaxle housing 13-23
 - transaxle pinion seal tool 15-9
 - transmission cable 13-19
 - transmission cable bracket 8-3, 9-3, 13-19
 - transmission chain 13-13
 - transmission fork 13-17
 - transmission tool 15-9
 - transmission, parallel shaft 13-13
 - tube
 - axle 13-23
 - breather 8-13, 10-13
 - carburetor air vent 10-3, 10-7
 - diaphragm 10-13
 - fuel 10-13
 - fuel pickup 10-9
 - ROPS support 1-11
 - tune-up kit 15-9
 - T-wrench tool 15-5
- ## U
- upright, front differential 13-3
 - urethane bushing 1-13

INDEX

V

valve 10-25, 10-27
breather 8-13, 9-13
exhaust 8-47, 9-11
fuel pickup tube 10-5
inlet 8-47, 9-11
lifter 9-13
rocker arm 9-11
rotator 9-11
seat 8-11
solenoid 10-11
spring seat 9-11
valve clearance adjuster screw 15-9
valve guide driver tool 15-9
valve guide reamer 15-9
valve seat cutter 15-5, 15-11
valve seat cutter guide 15-11
valve seat cutter tool 15-5
valve seat t-wrench 15-11
valve spring compressor 15-11
valve stem 2-3, 2-5
V-belt 8-33
vent barb 10-3, 10-7
vent, housing, upper 13-23
vent, transmission 13-13
volt ohm meter 15-11
voltage regulator 9-15

W

warning light, low oil 7-19, 7-21
water flange 14-9
water pump 14-11
wedge, bearing puller 15-3
weight clutch 12-9, 12-11
weldment
press 15-5
weldment, accelerator pedal 5-3
weldment, accelerator pedal bracket 5-3
weldment, actuator bracket 1-15
weldment, air cleaner support 10-25, 10-27
weldment, brake pedal 5-5
weldment, coolant pipe 14-7
weldment, cowl support, ROPS 1-3, 1-5, 1-11
weldment, dash, front 1-7
weldment, Forward/Reverse shifter 7-7, 13-11
weldment, Forward/Reverse shifter bracket 7-7, 13-11
weldment, lever, lost motion 5-3
weldment, receiver 6-13, 6-15
weldment, shaft shift 13-15
weldment, tilt bed frame 1-13
weldment, top, ROPS 1-11
wheel 2-3, 2-5
wheel, steering 6-3

wire assembly 7-23, 7-25, 10-5, 10-9
wire harness 7-5, 7-11
wire harness, electric lift 1-15
wire, governor 10-23
wrap, body 1-21
wrap, tie 1-15, 4-9, 4-11, 4-13, 6-5
wrench, spanner 15-9

Y

yoke, gear 15-7
yoke, support (steering) 6-5

Husqvarna Forest and Garden

7349 Statesville Rd.

Charlotte, NC 28269

USA

www.usa.husqvarna.com/huv