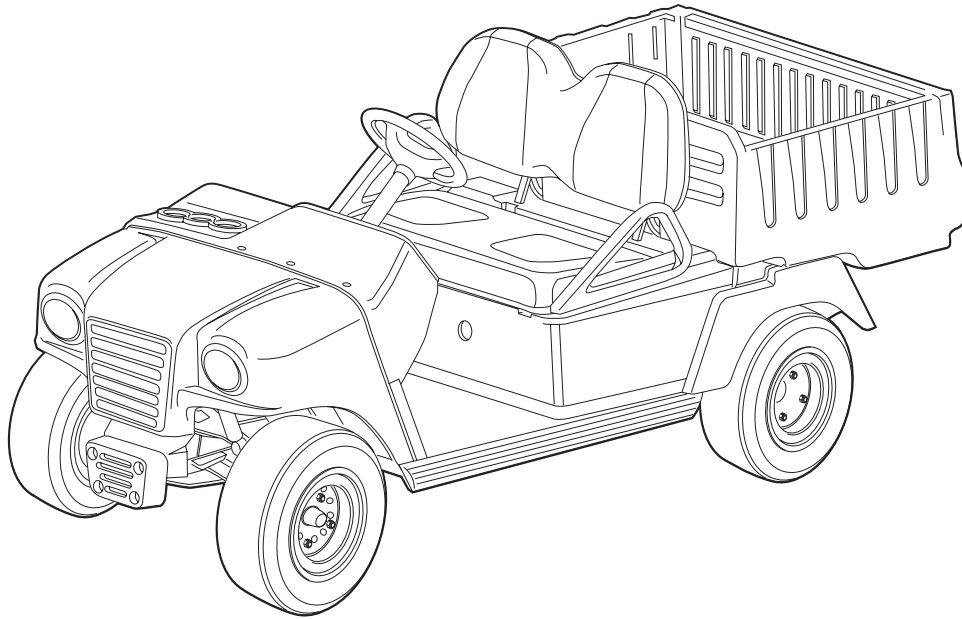




2005-2006
HUV4210-G, HUV4210-GXP
Illustrated Parts List



Gasoline Vehicles

Manual Number 603003327

Edition Code 0705F0108E

USING THE ILLUSTRATED PARTS LIST

⚠ WARNING

- **This manual is to be used only for identification and ordering of service parts. Be sure to read and use the maintenance and service manual before attempting any vehicle repairs.**

This manual covers all 2006 HUV4210-G and HUV4210-GXP gasoline vehicles.

The manual is divided into 12 sections. Sections 1 through 11 pertain to the gasoline vehicle, and Section 12 pertains to tools that are used on all Husqvarna products.

Use the Table of Contents to find the sections and pages that contain the parts and assemblies you seek. The Table of Contents lists section numbers, and under them, the individual page titles and numbers to be found in that section. The index can be used to find specific parts and assemblies. The index is divided into numerical and alphabetical listings with the page numbers in italic text.

There is a two-page spread for each individual page title in the Table of Contents. On the left-hand page is an illustration showing the parts in their relative positions; the parts are each tagged with an item number in a balloon. The right-hand page is the parts list page, and gives the page title at the top, then the item numbers (corresponding to the numbers on the illustration), part descriptions, and quantity of parts used.

Note that a part description may be indented. This indentation corresponds to a parts assembly level indicated by the numbers 1, 2, 3, and 4 at the top left corner of the parts description area of the parts list page. A part that is indented to level 2 is a component of the level 1 part (assembly) that it is listed under. A level 3 part is a component of the level 2 part that it is listed under, and a level 4 part is a component of the level 3 part preceding it. In each case, the part quantity given for a level 2, 3, or 4 part is the quantity used per next higher level assembly of which it is a component. A part that is not indented is a level 1 part. This means that the quantity given is the quantity used per the portion of the vehicle illustrated on that particular spread.

HOW TO ORDER PARTS

Replacement parts and accessories can be obtained from our network of authorized dealers and distributors. For the name and address of the Husqvarna representative nearest you, logon to our web site at www.usa.husqvarna.com. If you would prefer to write to us, direct your letter to: Husqvarna, Attention: Marketing Services, 7349 Statesville Rd., Charlotte, NC 28269 USA. Your local authorized Husqvarna representative can also provide technical advice, parts, and service manuals.



Husqvarna Forest and Garden
7349 Statesville Rd.
Charlotte, NC 28269
USA
www.husqvarna.com

NOTE: *This illustrated parts list represents the most current information at the time of publication. Husqvarna is continually working to further improve its vehicles and other products. These improvements may affect the parts used to service the vehicle. Any modification and/or significant change in specifications will be forwarded to all Husqvarna distributors/dealers and will, when applicable, appear in future editions of this illustrated parts list.*

Husqvarna reserves the right to change specifications and designs at any time without notice and without the obligation of making changes to units previously sold.

CONTENTS

SECTION 1 – BODY AND TRIM

Front Body	1-3
Canopy Support System	1-5
Bumper – HUV4210-G	1-7
Brush Guard – HUV4210-GXP	1-9
Dash Box – HUV4210-G	1-11
Glove Box – HUV4210-GXP	1-13
Side Trim – HUV4210-G	1-15
Nerf Bar (Orange)	1-17
Nerf Bar (Black)	1-19
Rear Body and Fender – Gasoline Vehicle	1-21
Front Seat Bottom and Armrests	1-23
Seat Back	1-25
Cargo Bed	1-27
Bed Hinge	1-29

SECTION 2 – WHEELS AND TIRES

Wheels and Tires	2-3
Hubcap – HUV4210-GXP	2-5

SECTION 3 – DECALS

Safety Decals – Gasoline Vehicles	3-3
Safety Decals – Gasoline Vehicles, Continued	3-5
Safety Decals – Gasoline Vehicles, Continued	3-7
Logo Decals – Gasoline Vehicles	3-9

SECTION 4 – BRAKES, PEDAL, AND CABLE ASSEMBLIES

Rear Brake Assembly, Self-Adjusting – Vehicle with 2-Wheel Brakes	4-3
Brake Pedal Assembly – Vehicles with Two-Wheel Brakes	4-5
Brake Cable, Equalizer, and Equalizer Rod – Vehicles with Two-Wheel Brakes	4-7
Accelerator Pedal Assembly – Gasoline Vehicle	4-9
Accelerator Rod	4-11

SECTION 5 – STEERING, FRONT, AND REAR SUSPENSIONS

Steering Column	5-3
Steering Wheel	5-5
Steering Gear Assembly	5-7
Front Suspension, Upper – Vehicles with Two-Wheel Brakes	5-9

CONTENTS

Front Suspension, Lower – Vehicles with Two-Wheel Brakes	5-11
Front Spindles and Hubs – Earlier Style	5-13
Front Spindles and Hubs – Later Style	5-15
Rear Suspension – Vehicles With Two-wheel Brakes	5-17

SECTION 6 – ELECTRICAL SYSTEM

Wiring – Gasoline Vehicle	6-5
Electrical Component Box – Gasoline Vehicle	6-7
Electrical Components, Front Body – Gasoline Vehicle	6-9
Headlights	6-11
Starter/Generator Assembly Model G425419 – Gasoline Vehicles	6-13
FE290 Starter/Generator Mounting – Gasoline Vehicle	6-15
FE350 Starter/Generator Mounting – Gasoline Vehicles	6-17
Battery – Gasoline Vehicle	6-19
Reverse Buzzer	6-21

SECTION 7 – FE290 ENGINE

FE290 Engine – Shrouds and Brackets	7-3
FE290 Engine – Ignition Components and Flywheel	7-5
FE290 Engine – Oil Circulation	7-7
FE290 Engine – Cylinder Head	7-9
FE290 Engine – Crankcase, Camshaft, and Oil Sensor	7-11
FE290 Engine – Crankcase and Crankshaft	7-13
FE290 Engine Mounting	7-15

SECTION 8 – FE350 ENGINE

FE350 Engine without ACR (Automatic Compression Release) – Shrouds and Brackets	8-3
FE350 Engine – Ignition Components and Flywheel	8-5
FE350 Engine – Oil Circulation	8-7
FE350 Engine – Cylinder Head	8-9
FE350 Engine without ACR – Crankcase, Camshaft, and Oil Sensor	8-11
FE350 Engine – Crankcase and Crankshaft	8-13
FE350 Engine Mounting	8-15

SECTION 9 – FUEL, INTAKE, AND GOVERNOR SYSTEMS

Fuel System	9-3
Fuel Tank with Fuel Level Sending Unit	9-5
Carburetor Assembly – FE290	9-7

CONTENTS

Carburetor Assembly – FE350	9-9
Carburetor Installation – FE290	9-11
Carburetor Installation – FE350	9-13
Governor and Accelerator Cables	9-15
Intake Duct, Choke, and Air Box Assembly	9-17

SECTION 10 – EXHAUST SYSTEM

Exhaust System – FE290 Engine	10-3
Exhaust System – FE350 Engine	10-5

SECTION 11 – TORQUE CONVERTER

Drive Clutch	11-3
Drive Belt – FE290	11-5
Drive Belt – FE350	11-7
Driven Clutch	11-9

SECTION 12 – TRANSAXLE AND FNR SHIFTER- GASOLINE VEHICLE

Transaxle – Gasoline Vehicles, Gear Cases and Brackets	12-3
Transaxle – Gasoline Vehicles, Transmission and Gear Reduction	12-5
Transaxle – Gasoline Vehicles, Differential and Axles	12-7
Forward/Reverse Shifter Assembly – Gasoline Vehicles	12-9
Forward/Reverse Shifter Cable – Gasoline Vehicles	12-11
Differential Guard	12-13

SECTION 13 – MAINTENANCE AND SERVICE TOOLS

Maintenance and Service Tools	13-3
Maintenance and Service Tools, Continued	13-5
Maintenance and Service Tools, Continued	13-7
Maintenance and Service Tools, Continued	13-9
Maintenance and Service Tools, Continued	13-11

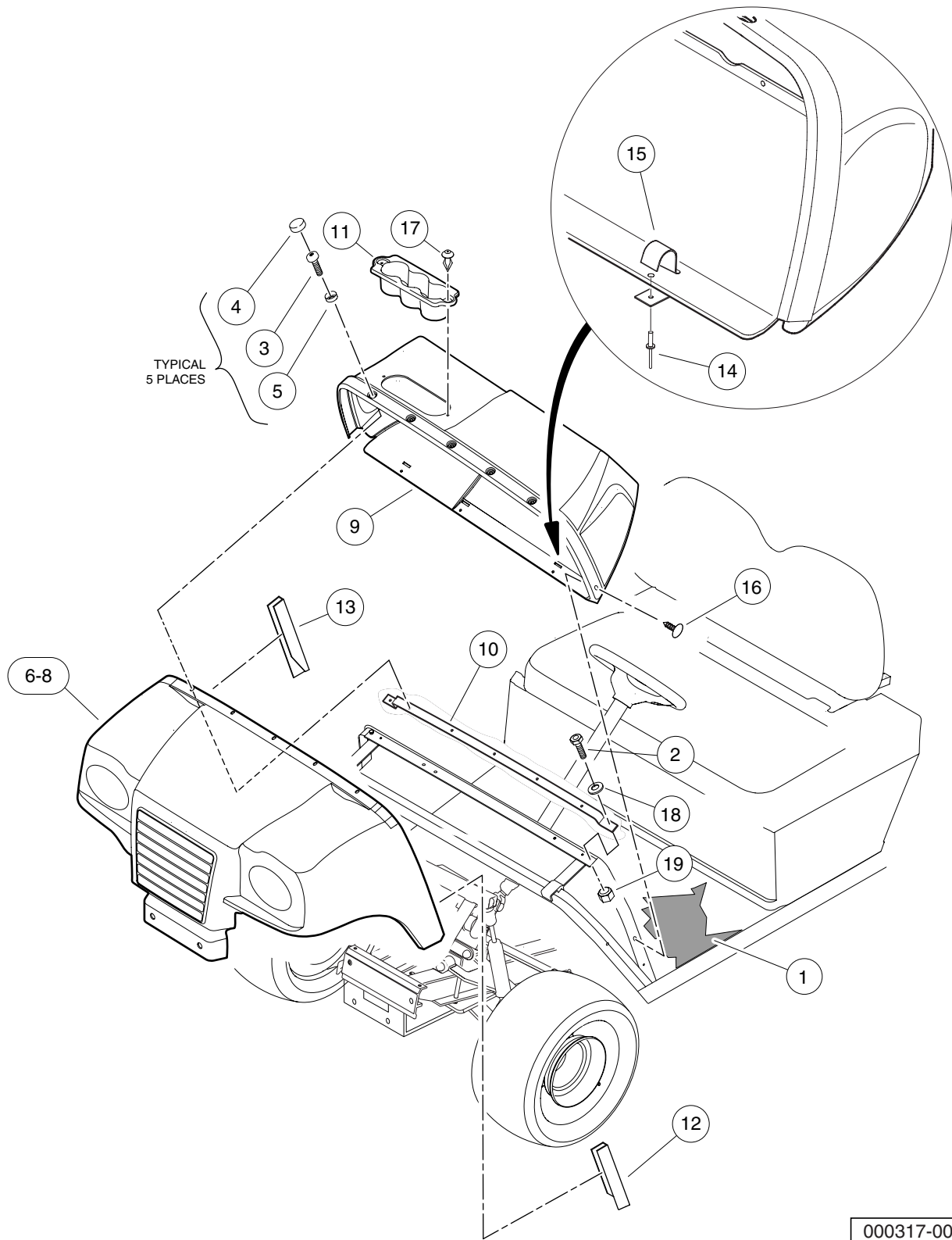
SECTION i – INDEX

BODY AND TRIM

1

G

1
G



FRONT BODY

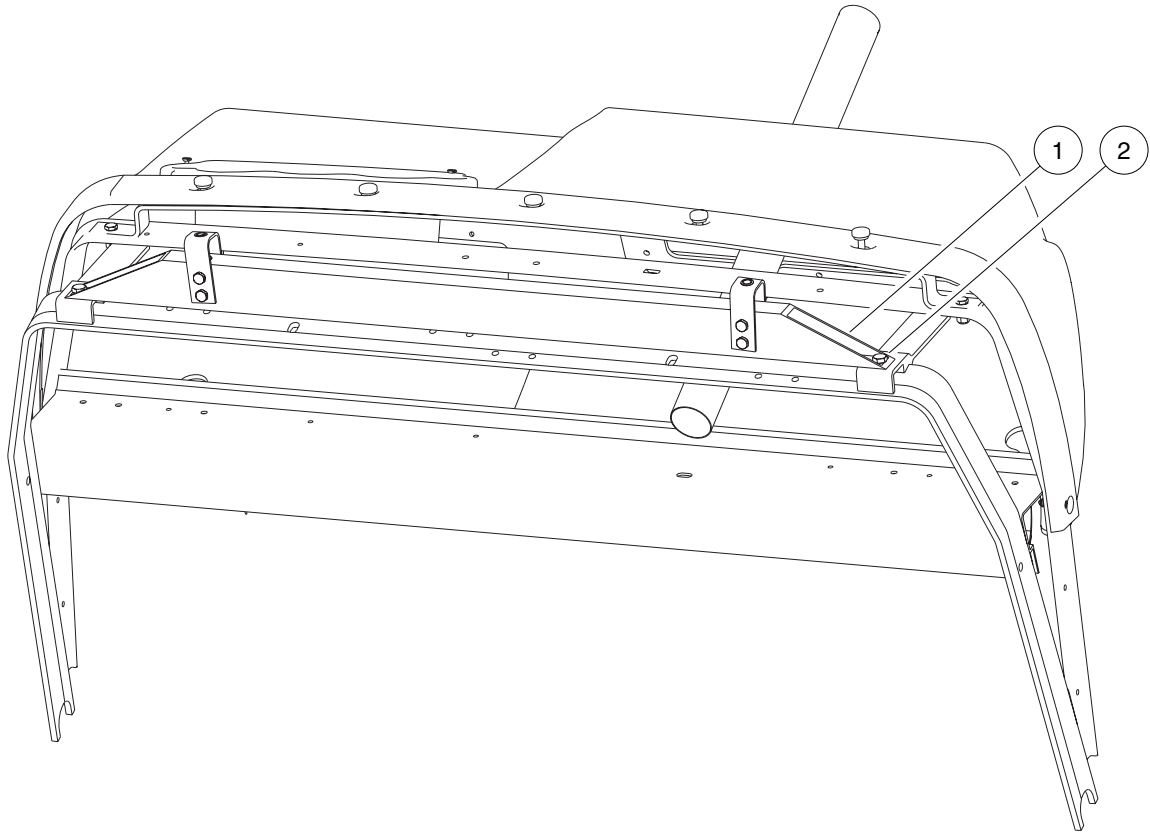
ITEM	PART NO.	DESCRIPTION	QTY
		1 2 3 4	
1	603 00 30-81	Floormat	1
2	603 00 32-40	Screw, 1/4-20 X 0.75 Hex-Head Cap	2
3	603 00 06-96	Screw, 1/4-20 X .75 Torx Pn Hd	5
4	603 00 07-29	Cap, 1/4" Plastic Screw Head	5
5	603 00 07-37	Washer, 1/4 Id Scalloped Plast	5
6	603 00 32-72	Cowl, Orange	1
7	603 00 30-24	Cowl, 4210, Camo	1
8	102 76 66-05	Cowl, 4210, Olive Green	1
9	603 00 32-73	Dash	1
10	603 00 32-76	Support, Upper Cowl	1
11	603 00 32-79	Object Holder	1
12	603 00 32-89	Cowl Cover, Driver-Side	1
13	603 00 32-90	Cowl Cover, Passenger-Side	1
14	603 00 32-96	Rivet	3
15	603 00 23-68	Clip, Dash	3
16	531 30 71-52	Push Pin, Black	2
17	603 00 06-95	Rivet, Removable, Tuflok 1/4"	2
18	603 00 00-54	Washer, 1/4 Type A Narrow Flat	2
19	603 00 00-89	Locknut, 1/4-20 Nylon Insert	2

1

G

1

G



000582-002

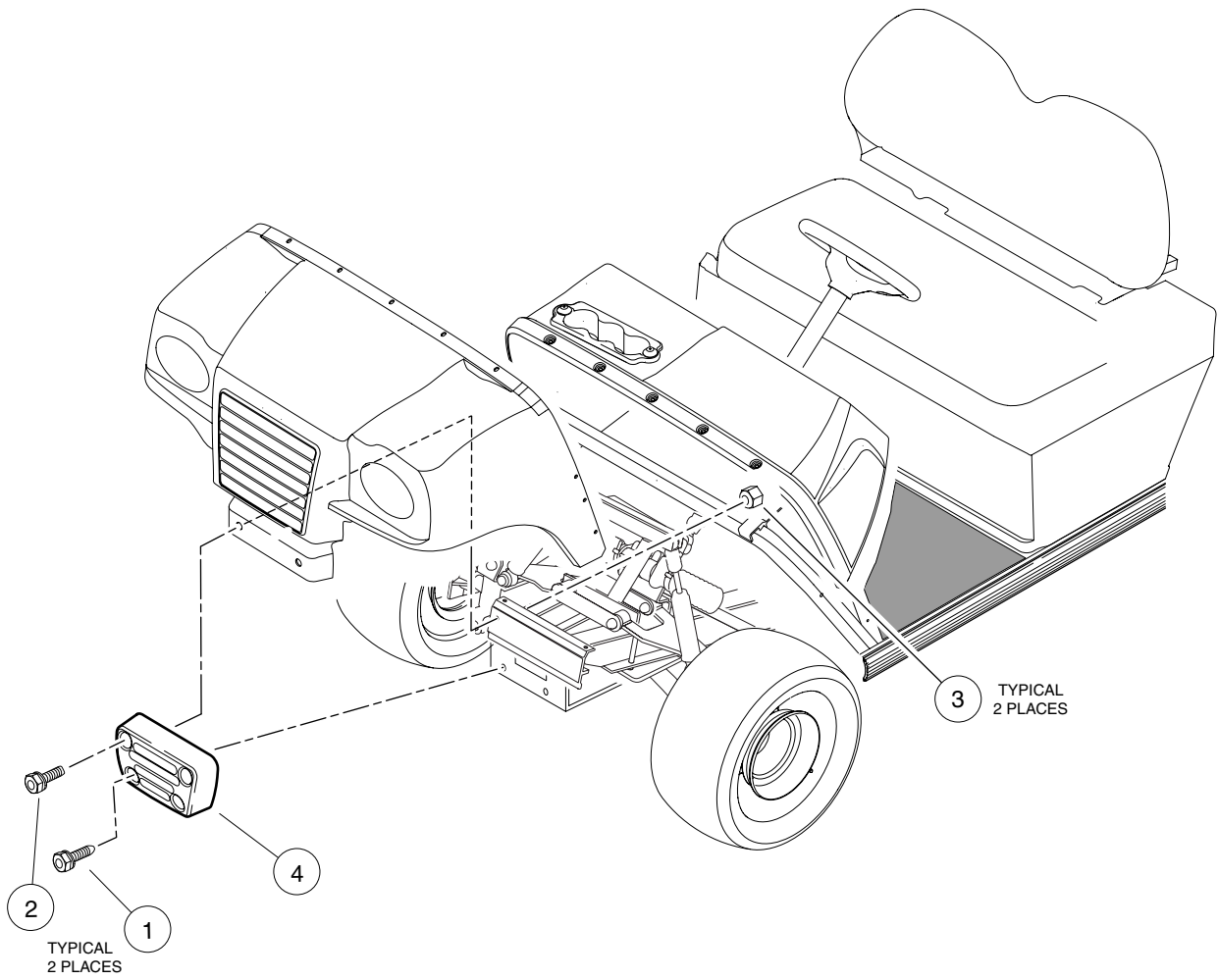
CANOPY SUPPORT SYSTEM

ITEM	PART NO.	DESCRIPTION	QTY
		1 2 3 4	
1	603 00 41-49	Brace, Canopy, Tube, Xrt	2
2	603 00 00-71	Screw, 5/16-18 X 0.75 Hex-Head Cap	2

1

G

1
G



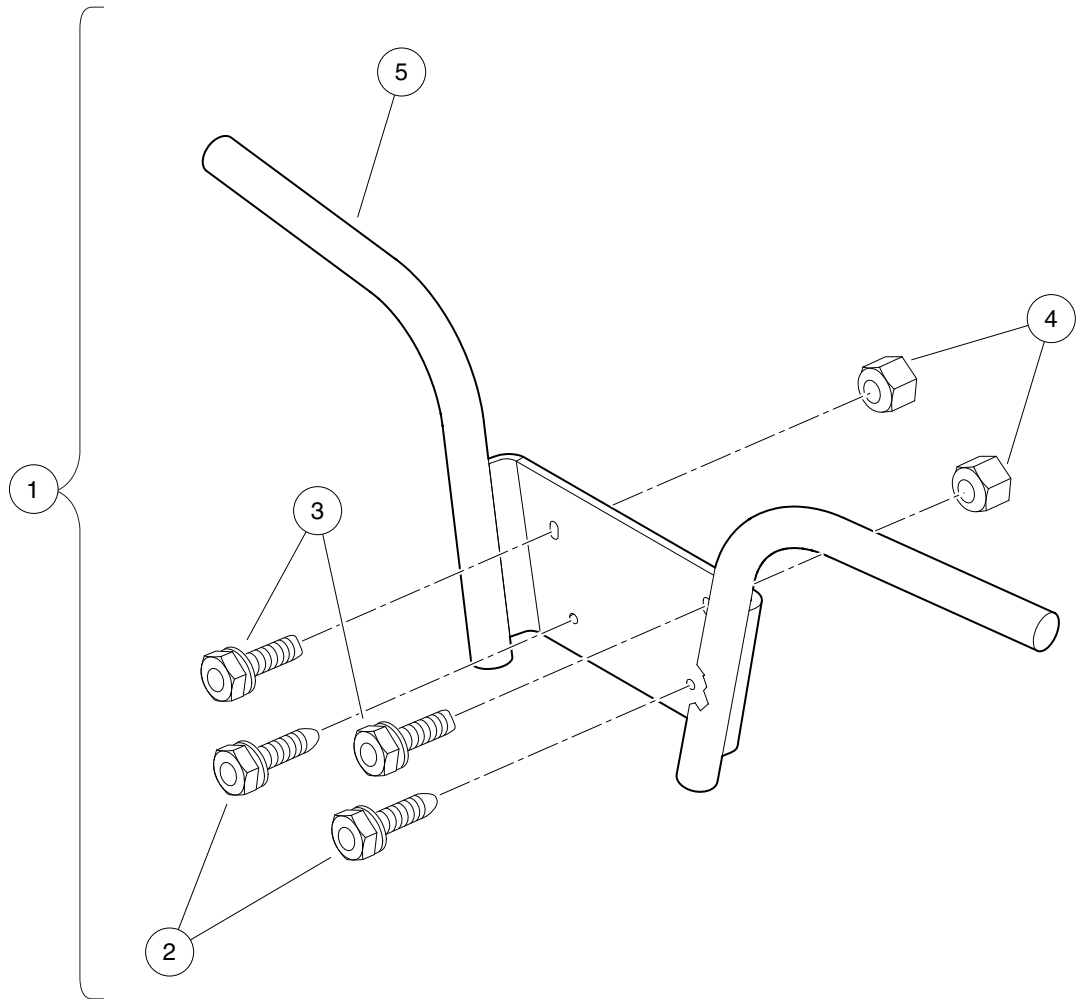
000357-001

BUMPER – HUV4210-G

ITEM	PART NO.	DESCRIPTION	QTY
		1 2 3 4	
1	603 00 08-70	Screw, M8 X 1.25 X 30 Tri, Blk	2
2	603 00 08-76	Bolt, Flange Head, M8-1.25 X 40	2
3	603 00 13-08	Lock Nut, Flg M8 X 1.25 Nylon	2
4	603 00 32-98	Bumper, Cast	1

1
G

1
G



000356-001

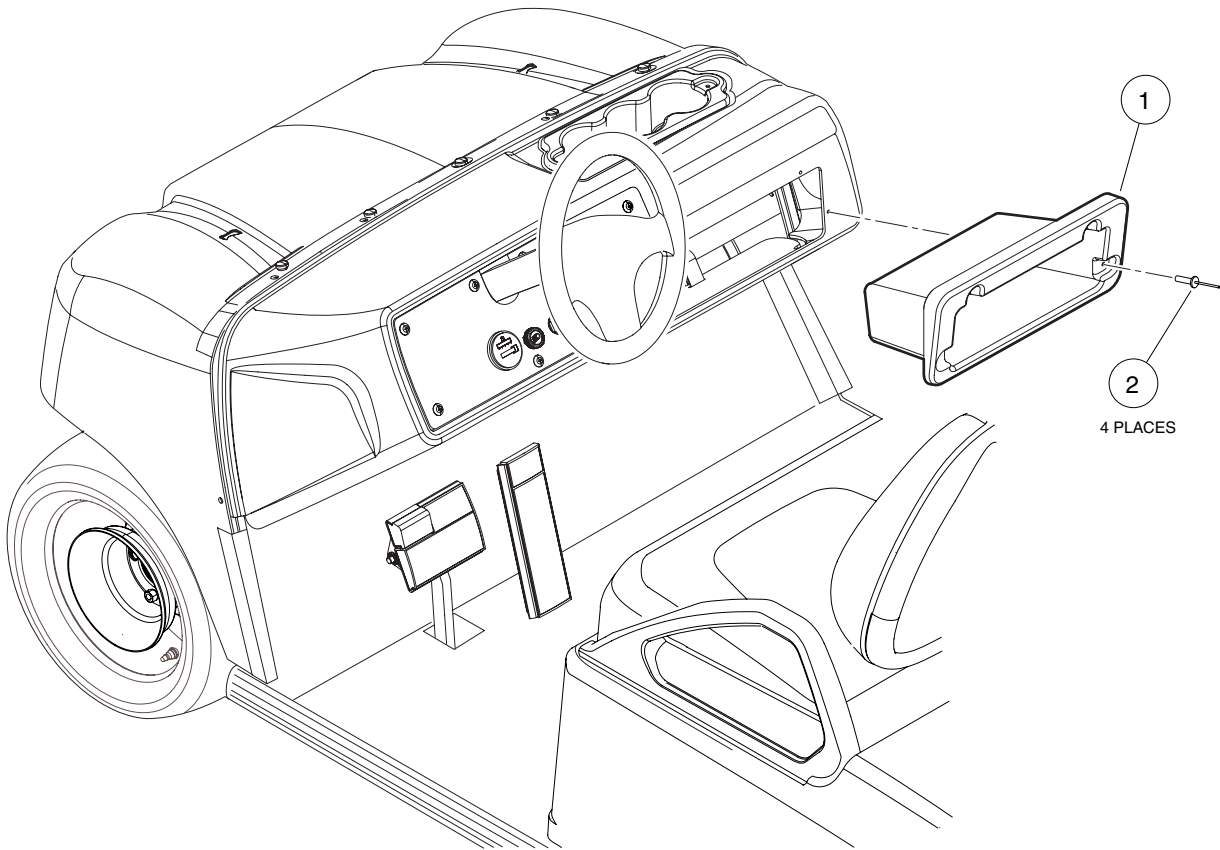
BRUSH GUARD – HUV4210-GXP

ITEM	PART NO.	DESCRIPTION	QTY
		1 2 3 4	
1	603 00 23-32	Kit, Brush Guard (includes items 2 through 6)	1
2	603 00 08-70	Screw, M8 X 1.25 X 30 Tri, Blk	2
3	603 00 08-76	Bolt, Flange Head, M8-1.25 X 40	2
4	603 00 13-08	Lock Nut, Flg M8 X 1.25 Nylon	2
5	N/A	Guard, Brush	1
6	603 00 43-65	Instr, Brush Guard	1

1

G

1
G



000358-001

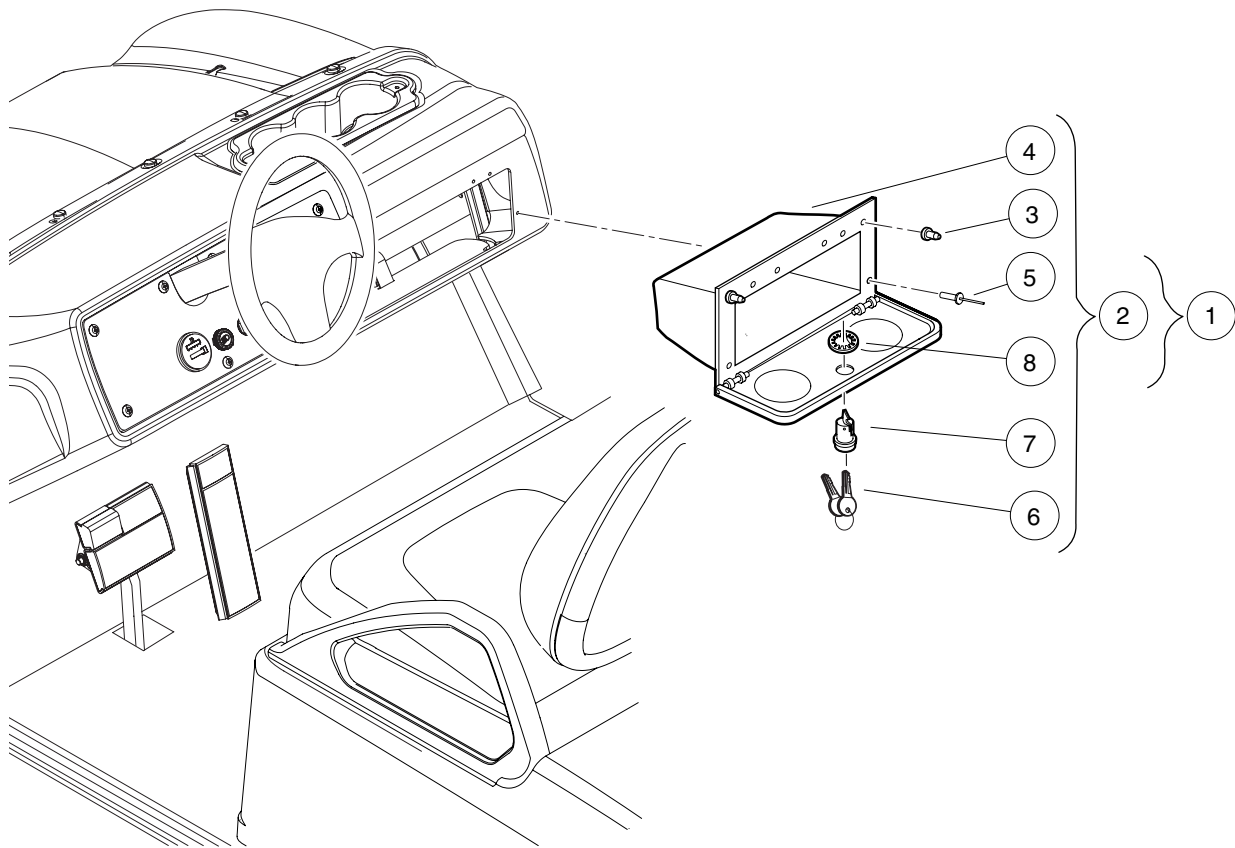
DASH BOX – HUV4210-G

ITEM	PART NO.	DESCRIPTION	QTY
		1 2 3 4	
1	603 00 32-85	Box, Dash	1
2	603 00 32-96	Rivet	4

1

G

1
G



000359-001

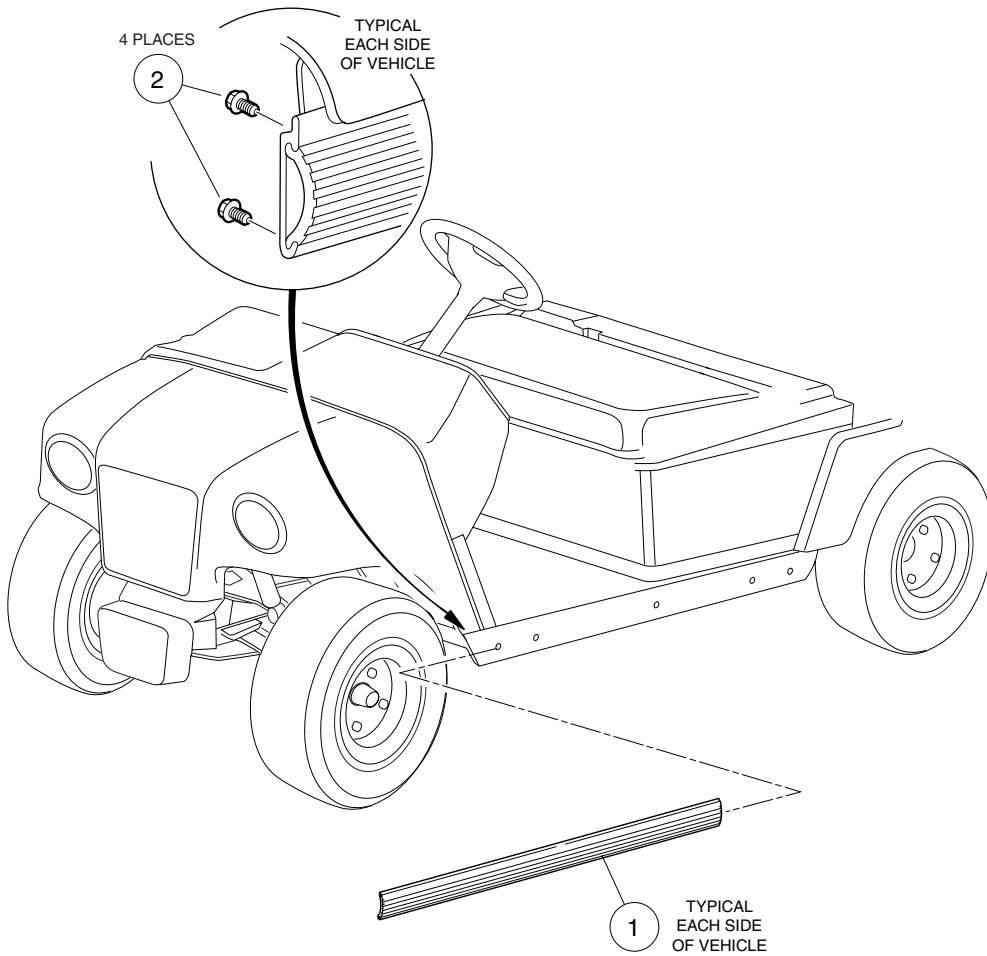
GLOVE BOX – HUV4210-GXP

ITEM	PART NO.	DESCRIPTION	QTY
		1 2 3 4	
1	531 30 73-72	Glove Box Lock / Key Kit (includes item 2)	1
2	603 00 43-66	Asm, Glove Box Lock / Key (includes items 3 through 8)	1
3	603 00 01-08	Bumper, Rubber	2
4	603 00 32-78	Glove Box	1
5	603 00 32-96	Rivet	6
6	N/A	Key	2
7	N/A	Lock	1
8	N/A	Nut	1

1

G

1
G



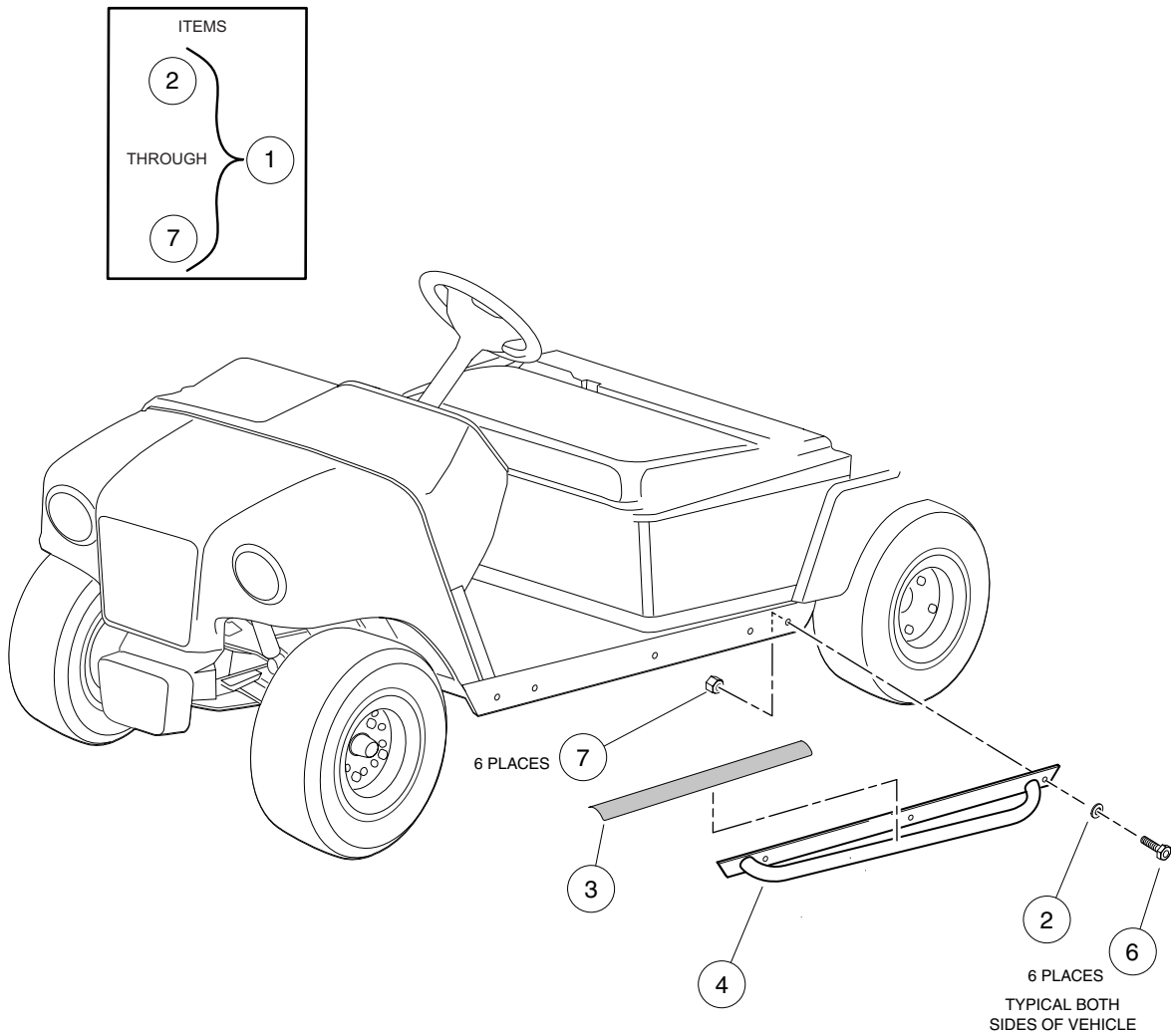
000361-001

SIDE TRIM – HUV4210-G

ITEM	PART NO.	DESCRIPTION	QTY
		1 2 3 4	
1	603 00 30-67	Bumper, Side Trim	2
2	603 00 32-57	Screw, #8-18 x 0.375, Hex-Head Washer	8

1

G

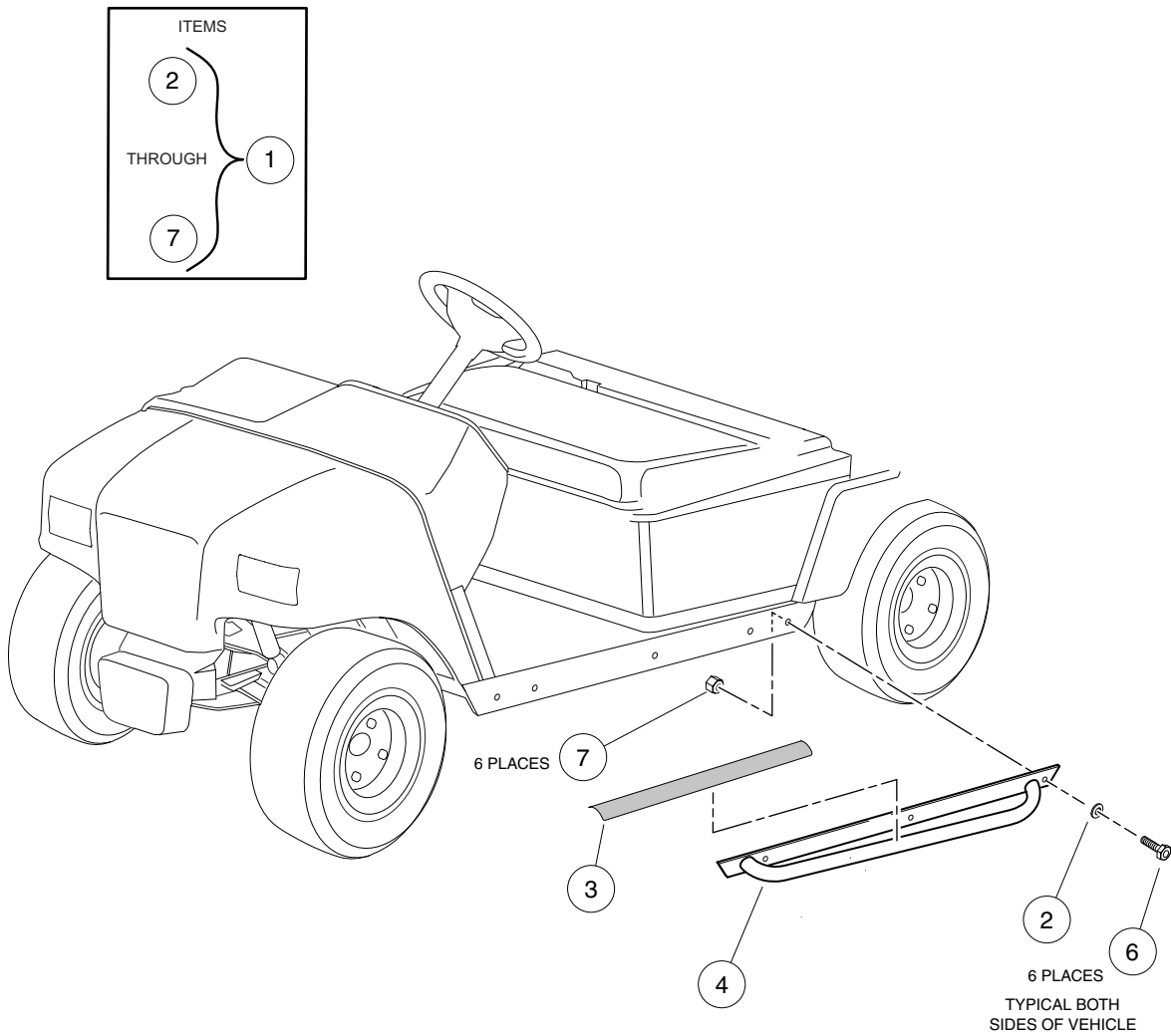


000360-001

NERF BAR (ORANGE)

ITEM	PART NO.	DESCRIPTION	QTY
		1 2 3 4	
1	531 30 11-14	Kit, Nerf Bar (Orange) (includes items 2 through 7)	1
2	603 00 01-32	Washer, 3/8 Flat	6
3	603 00 22-77	Tape, Non-skid	A/R
4	603 00 23-29	Asm, Nerf Bar, Driver (orange)	1
5	603 00 23-30	Asm, Nerf Bar, Passenger (orange)	1
6	603 00 00-53	Screw, 3/8-16 X 1.00 Hex-Head Cap	6
7	603 00 00-95	Locknut, 3/8-16 Hex	6

1
G



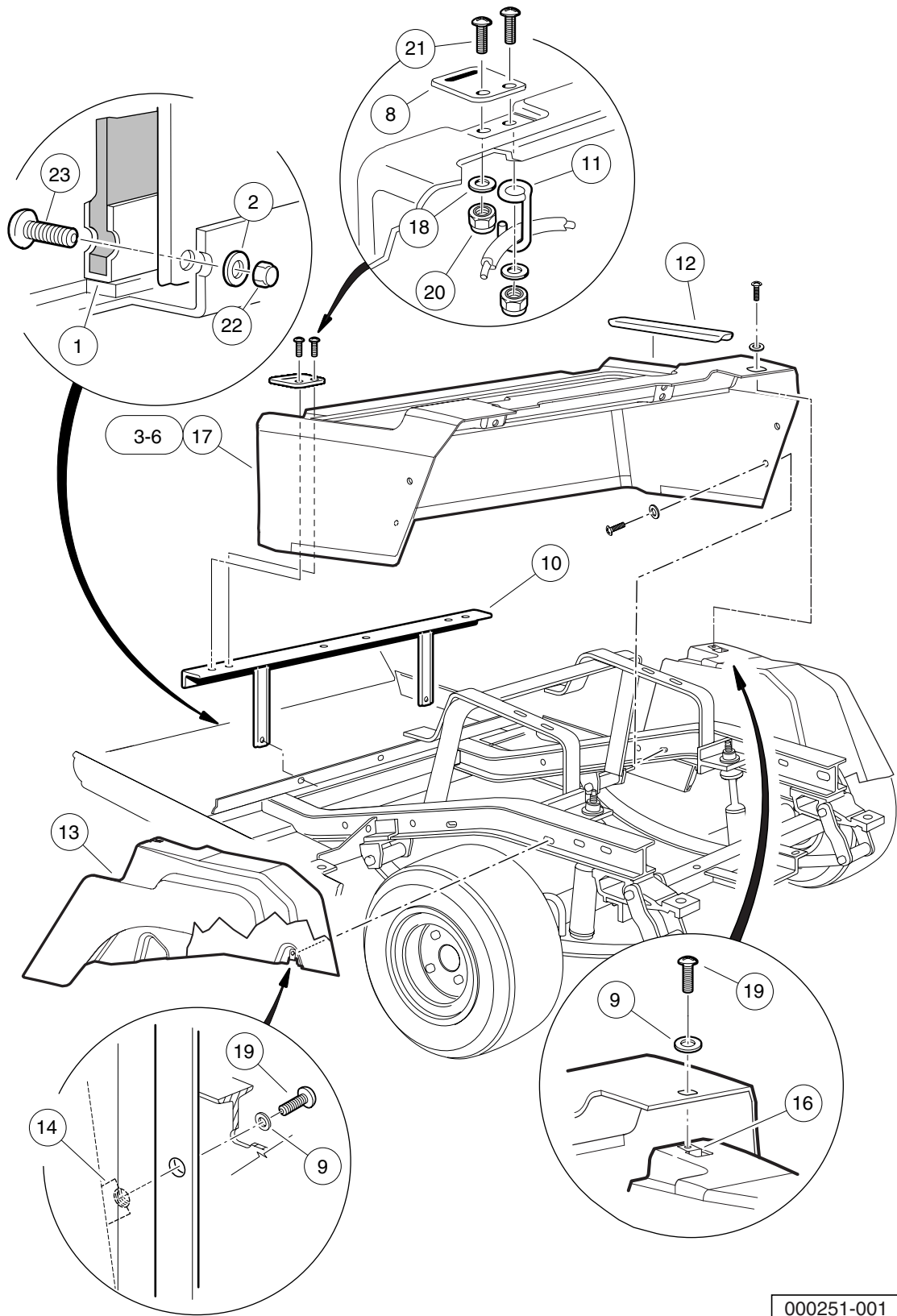
000360-002

NERF BAR (BLACK)

ITEM	PART NO.	DESCRIPTION	QTY
		1 2 3 4	
1	102 82 98-02	Kit, Nerf Bar (black) (includes items 2 through 7)	1
2	603 00 01-32	Washer, 3/8 Flat	6
3	603 00 22-77	Tape, Non-skid	2
4	102 82 97-03	Nerf Bar Assy, Driver	1
5	102 82 97-04	Nerf Bar Assy, Passngr	1
6	603 00 00-53	Screw, 3/8-16 X 1.00 Hex-Head Cap	6
7	603 00 00-95	Locknut, 3/8-16 Hex	6

1
G

1
G



000251-001

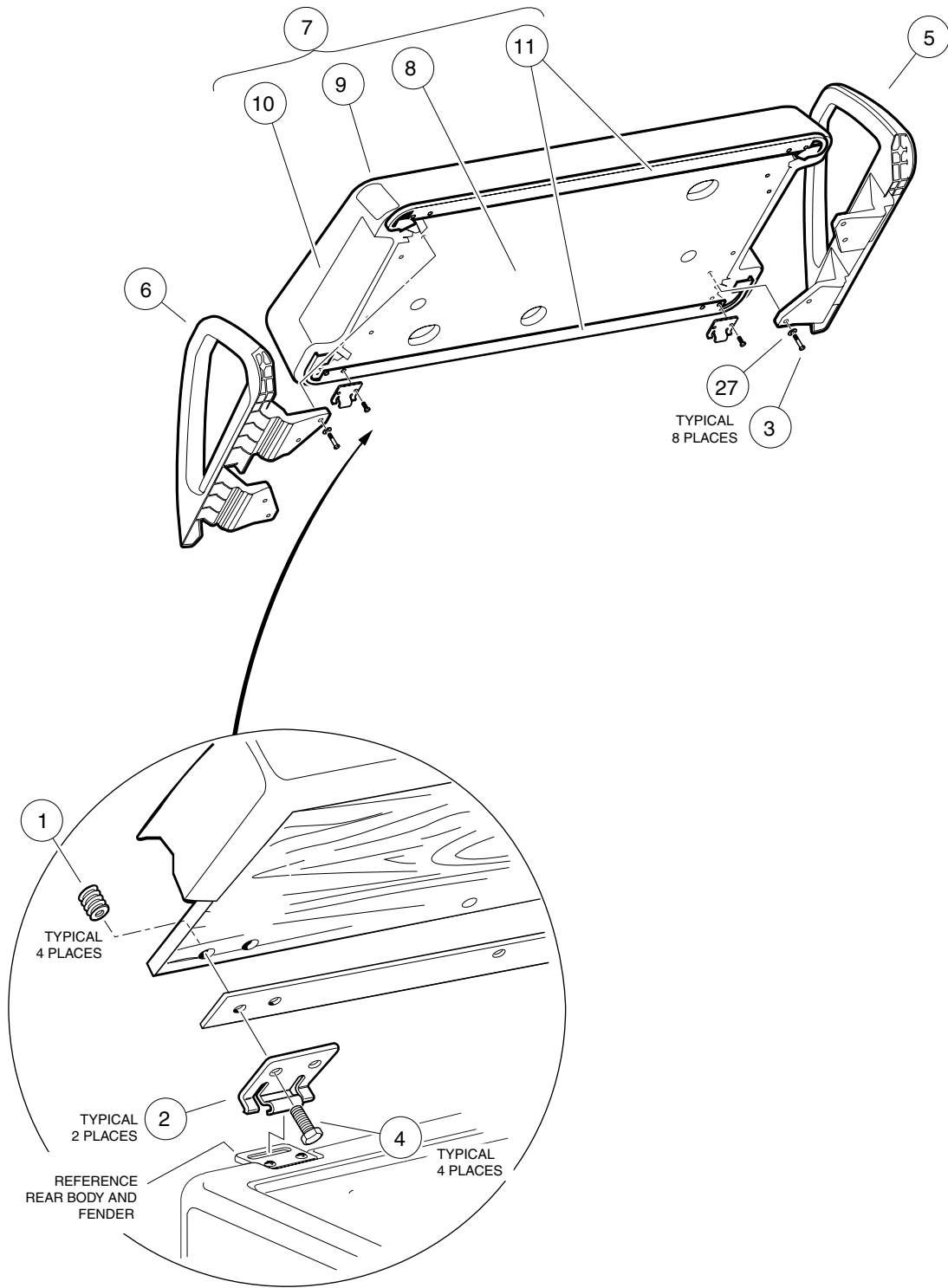
REAR BODY AND FENDER – GASOLINE VEHICLE

ITEM	PART NO.	DESCRIPTION	QTY
		1 2 3 4	
1	603 00 36-29	Body Kick Plate	1
2	603 00 02-22	Washer, 1/4" Type B Flat	2
3	102 79 68-01	Body, Rear, Gas, Red	1
4	102 79 68-03	Body, Rear, Gas, Green	1
5	102 79 68-04	Body, Rear, Gas, Classic Blue	1
6	102 79 68-05	Body, Rear, Gas, Olive Green	1
7	N/A	Body Assembly (includes items 8 through 21)	1
8	603 00 01-39	Body, Hinge Plate	2
9	603 00 02-22	Washer, 1/4" Type B Flat	6
10	603 00 31-56	Body Support Front	1
11	603 00 31-95	Cable Retainer	1
12	603 00 32-52	Wear Pad	2
13	603 00 32-75	Fender, Driver Side (includes item 14)	1
14	603 00 31-54	U-Nut, 1/4-20	4
15	603 00 22-92	Fender, Passenger Side (includes item 16)	1
16	603 00 31-54	U-Nut, 1/4-20	4
17	603 00 23-17	Body, Rear, Gas, Orange	1
18	603 00 00-54	Washer, 1/4 Type A Narrow Flat	4
19	603 00 00-83	Screw, 1/4-20 X 0.75 Hex-Head Cap	6
20	603 00 00-89	Locknut, 1/4-20 Nylon Insert	4
21	603 00 00-91	Screw, 1/4-20 X 1.0 Truss-Head Machine	4
22	603 00 00-89	Locknut, 1/4-20 Nylon Insert	2
23	603 00 00-91	Screw, 1/4-20 X 1.0 Truss-Head Machine	2

1

G

1
G



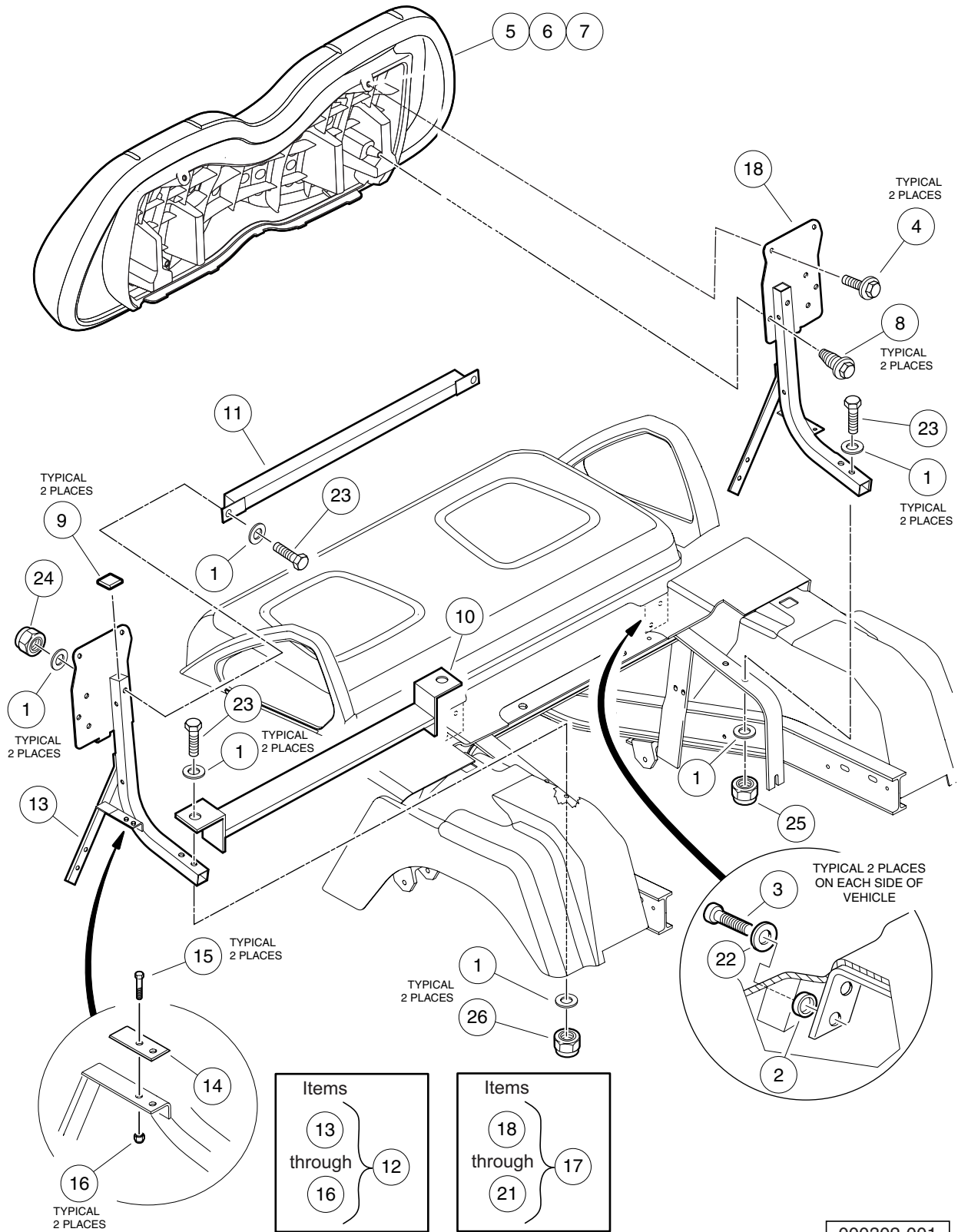
000364-003

FRONT SEAT BOTTOM AND ARMRESTS

ITEM	PART NO.	DESCRIPTION	QTY
		1 2 3 4	
1	603 00 25-06	Insert - Wood	4
2	603 00 01-25	Hinge Plate	2
3	603 00 31-53	Screw, 1/4-20 X 1.50 Hex-Head Cap	8
4	603 00 32-40	Screw, 1/4-20 X 0.75 Hex-Head Cap	4
5	603 00 32-47	Armrest, Passenger (right)	1
6	603 00 32-48	Armrest, Driver (left)	1
7	603 00 43-68	Seat Bottom Assembly, Buff (includes items 8 through 11)	1
8	N/A	Plywood Assy	1
9	603 00 43-67	Vinyl Cover, Seat Bottom, Buff	1
10	N/A	Foam, Seat	1
11	603 00 32-50	Gasket, Seat	2
12	603 00 43-70	Seat Bottom Assembly, White (includes items 13 through 16)	1
13	N/A	Plywood Assy	1
14	603 00 43-69	Vinyl Cover, Seat Bottom, White	1
15	N/A	Foam, Seat	1
16	603 00 32-50	Gasket, Seat	2
17	603 00 43-72	Seat Bottom Assembly, Black (includes items 18 through 21)	1
18	N/A	Plywood Assy	1
19	603 00 43-71	Vinyl Cover, Seat Bottom, Black	1
20	N/A	Foam, Seat	1
21	603 00 32-50	Gasket, Seat	2
22	603 00 22-58	Seat Bottom Assembly, Gray (includes items 23 through 26)	1
23	N/A	Plywood Assy	1
24	603 00 22-59	Vinyl Cover, Seat Bottom, Gray	1
25	N/A	Foam, Seat	1
26	603 00 32-50	Gasket, Seat	2
27	603 00 00-54	Washer, 1/4 Type A Narrow Flat	8
Note: Sub-components contained in items 12, 17, and 22 are the same as those shown for item 7, except for the vinyl seat covers.			



1
G



SEAT BACK

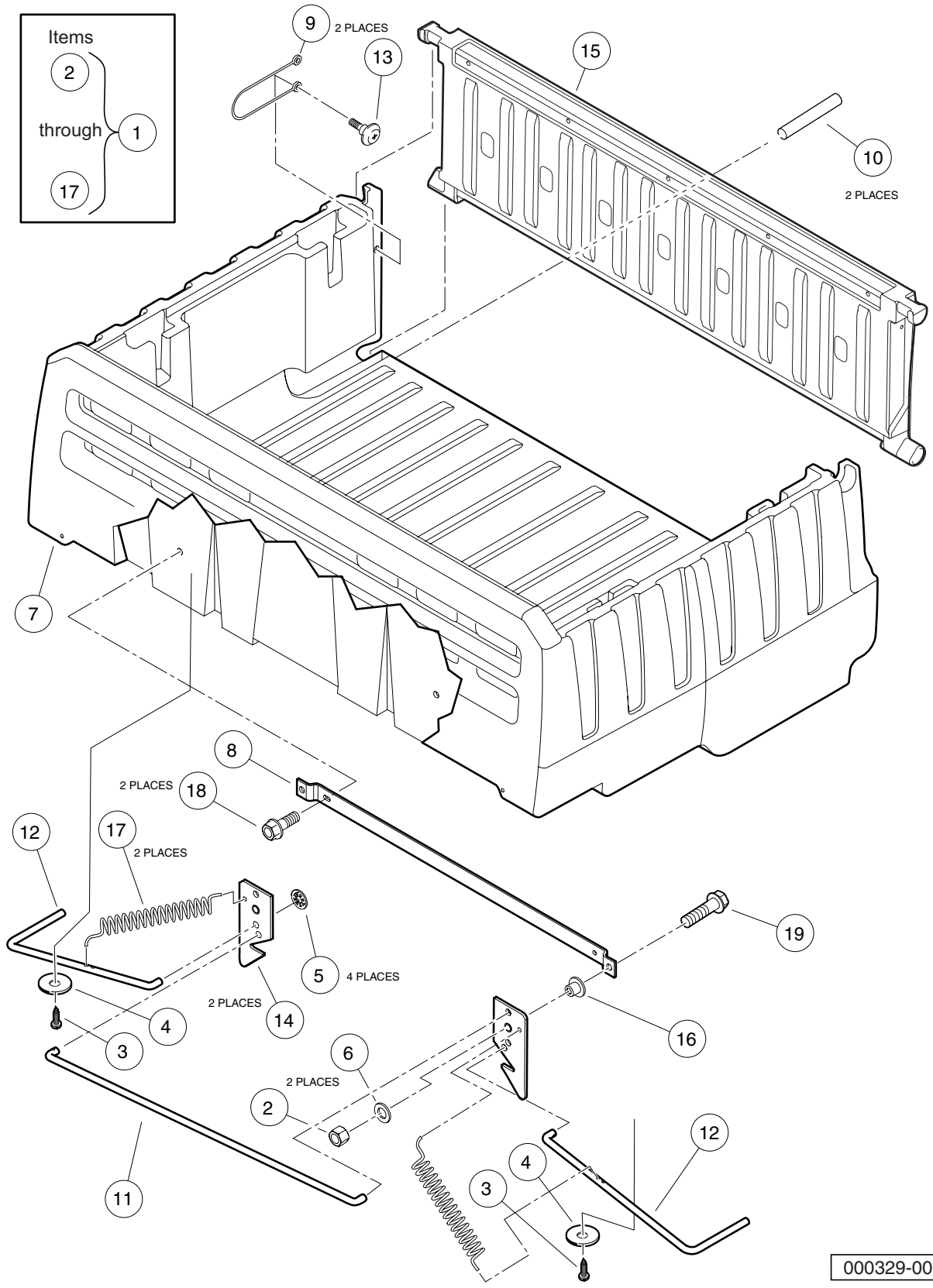
ITEM	PART NO.	DESCRIPTION	QTY
		1 2 3 4	
1	603 00 30-48	Washer, 1/4 Flat	12
2	603 00 04-34	Body Spacer	4
3	603 00 32-21	Screw, 5/16-18 X 1.25 Thrd Frm	4
4	603 00 32-54	Screw - M6 X 1.0 X 30 Sems	2
5	603 00 43-73	Service Backrest Asm, Beige	1
6	603 00 43-74	Service Backrest Asm, White	1
7	603 00 32-66	Service Backrest Asm, Gray	1
8	603 00 32-68	Screw, M6 Hex	2
9	603 00 32-69	Plug, Square - 25.4 mm	2
10	603 00 23-02	Weldment, Bed Support	1
11	603 00 23-16	Seat Support, Cross Brace	1
12	603 00 23-04	Seat Support W/striker, Drv (includes items 13 through 16)	1
13	N/A	Seat Support, Driver-Side	1
14	603 00 23-66	Striker Plate	1
15	603 00 00-83	Screw, 1/4-20 X 0.75 Hex-Head Cap	2
16	603 00 00-89	Locknut, 1/4-20 Nylon Insert	2
17	603 00 23-05	Support, Seat, Right (passenger) (includes items 18 through 21)	1
18	N/A	Seat Support, Passenger-Side	1
19	603 00 23-66	Striker Plate	1
20	603 00 00-83	Screw, 1/4-20 X 0.75 Hex-Head Cap	2
21	603 00 00-89	Locknut, 1/4-20 Nylon Insert	2
22	603 00 00-65	Washer, 5/16 Type A Flat	4
23	603 00 00-74	Screw, 1/4-20 X 2.00 Hex-Head Cap	6
24	603 00 00-78	Locknut, 5/16-18 Nylon Insert	2
25	603 00 00-89	Locknut, 1/4-20 Nylon Insert	6
26	603 00 23-52	Screw, 5/16-18 X 1.75 Hex-Head Cap	2

1

G

1
G

Items
 2 }
 through 1
 17 }



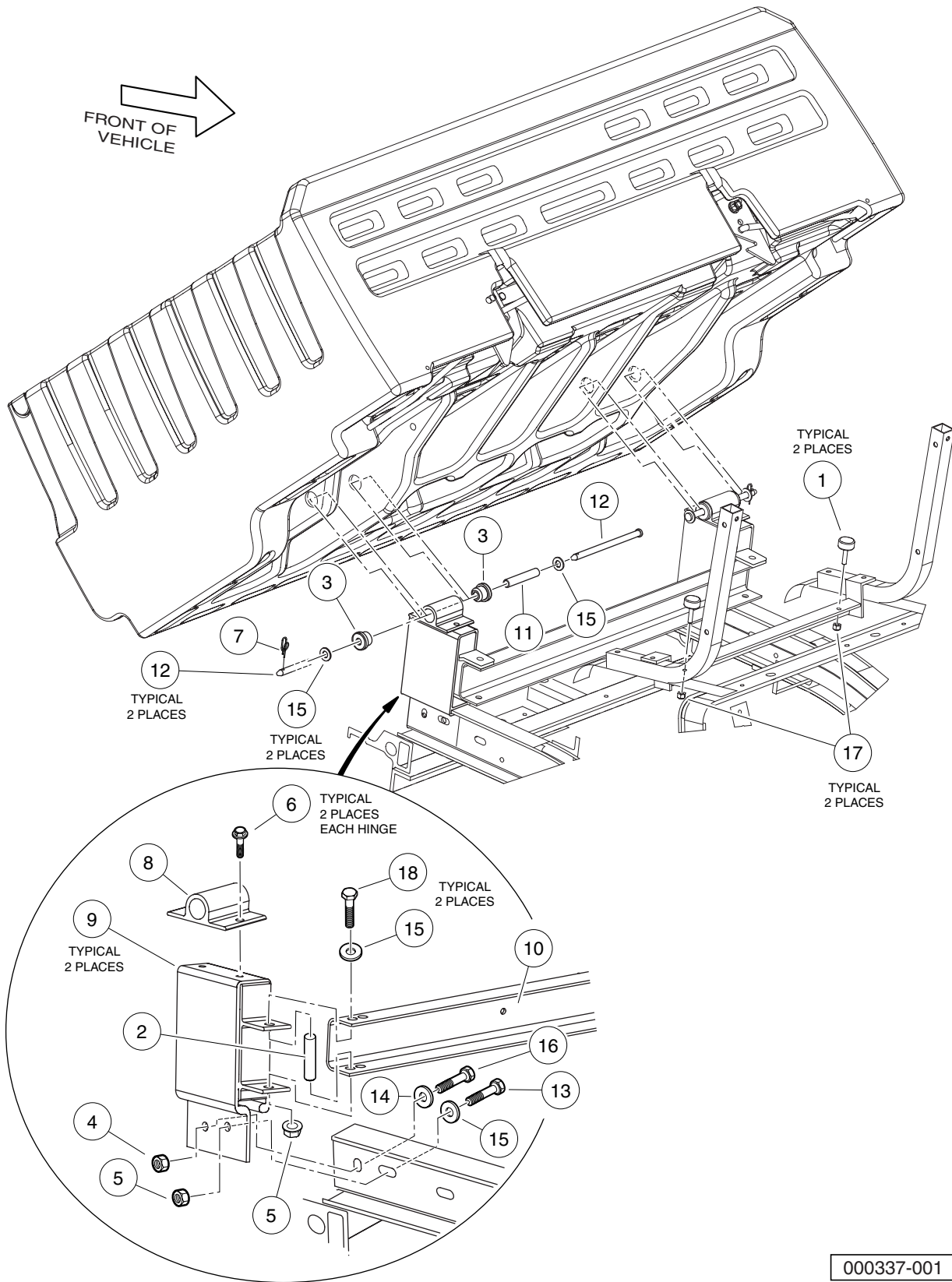
000329-001

CARGO BED

ITEM	PART NO.	DESCRIPTION	QTY
		1 2 3 4	
1	603 00 36-44	Assembly, Bed (includes items 2 through 19)	1
2	603 00 01-01	Locknut, 3/8-16 Dimpled	2
3	603 00 01-10	Screw, Hex Washer Head 1/4-14 X .75	2
4	603 00 30-45	Washer, 5/16 Type B Flat	2
5	603 00 30-66	Pushnut, 3/8	4
6	603 00 21-60	Washer, 3/8 Flat Type A	2
7	603 00 22-94	Bed	1
8	603 00 22-95	Support, Latch Link	1
9	603 00 22-96	Lanyard, Tailgate	2
10	603 00 22-97	Pin, Support	2
11	603 00 22-98	Rod, Long Link	1
12	603 00 22-99	Rod, Bed Lift, Short Bent	2
13	603 00 23-00	Bolt Lanyard	2
14	603 00 23-01	Catch, Tilt Bed	2
15	603 00 23-19	Tailgate, Husqvarna	1
16	603 00 23-35	Bearing, Bronze, 1/2x9/32	2
17	603 00 43-75	Spring, Tilt Latch 3.4 Lb/in	2
18	603 00 00-52	Screw, 1/4-20 X 1.0 Hex-Head Cap	2
19	603 00 00-53	Screw, 3/8-16 X 1.00 Hex-Head Cap	1

1
G

1
G



000337-001

BED HINGE

ITEM	PART NO.	DESCRIPTION	QTY
		1 2 3 4	
1	603 00 01-13	Bumper, Rubber	2
2	603 00 01-36	Bushing, Steel	2
3	603 00 02-63	Bushing, Urethane	4
4	603 00 05-21	Locknut, 1/4-20 Hex Whiz	2
5	603 00 07-80	Locknut, 3/8-16 Flanged Dimple	4
6	603 00 08-69	Screw, M8X1.25X30, Hex	4
7	603 00 32-53	Rue Ring - 1/2"	2
8	603 00 32-81	Hinge, Roto Bed	2
9	603 00 32-87	Support, Hinge	2
10	603 00 23-21	Stiffener, Bed Support	1
11	603 00 32-88	Bushing, Steel	2
12	603 00 32-92	Pin, Clevis, 3/8	2
13	603 00 00-53	Screw, 3/8-16 X 1.00 Hex-Head Cap	2
14	603 00 00-54	Washer, 1/4 Type A Narrow Flat	2
15	603 00 00-55	Washer, 3/8 Type A Flat	8
16	603 00 00-83	Screw, 1/4-20 X 0.75 Hex-Head Cap	2
17	603 00 00-89	Locknut, 1/4-20 Nylon Insert	2
18	603 00 00-96	Screw, 3/8-16 X 3.375 Hex Cap	2

1
G

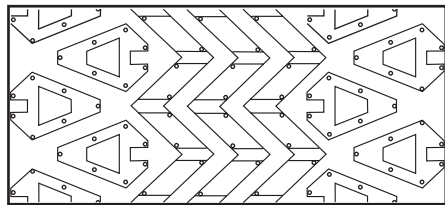
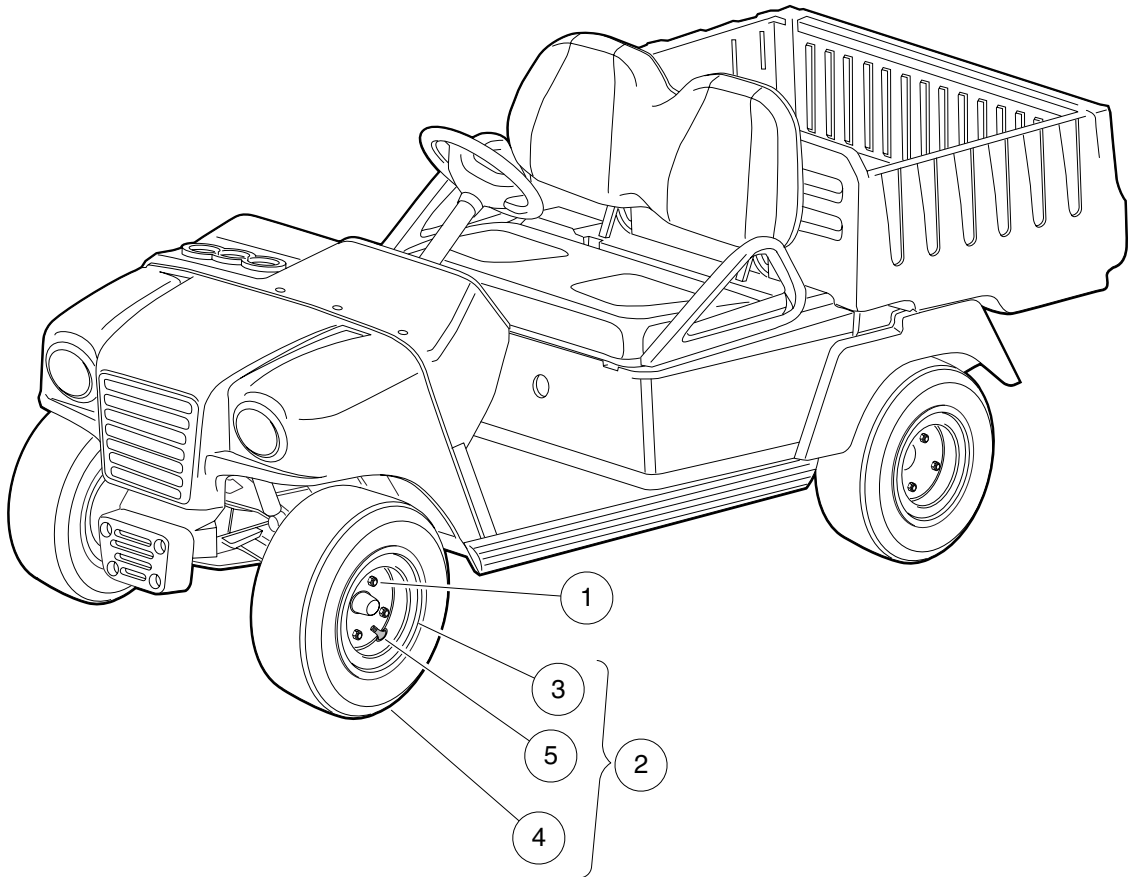
1

G

WHEELS AND TIRES

2

G



ALL TRAIL II TREAD
Carlisle®

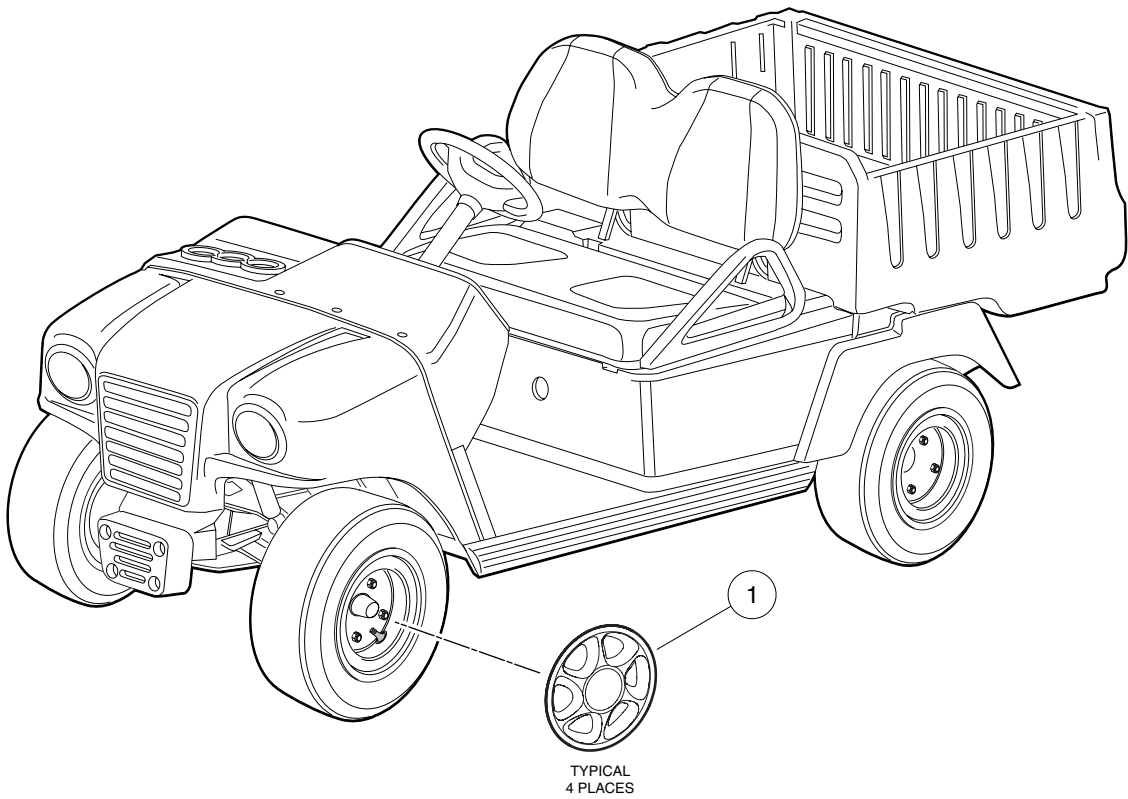
000224-001

WHEELS AND TIRES

ITEM	PART NO.	DESCRIPTION	QTY
		1 2 3 4	
1	603 00 00-24	.500-20 Unf Lug Nut	16
2	603 00 32-86	Tire Assembly, All Trail II (includes items 3 through 5)	4
3	603 00 23-14	Wheel Rim, Gray	1
4	603 00 23-15	Tire, Unmounted, All Trail II	1
5	603 00 00-33	Valve Stem	1

2

G



000318-001

HUBCAP – HUV4210-GXP

ITEM	PART NO.	DESCRIPTION	QTY
1	603 00 23-39	1 2 3 4 Wheel Cover, Chrome Elite	4

2

G

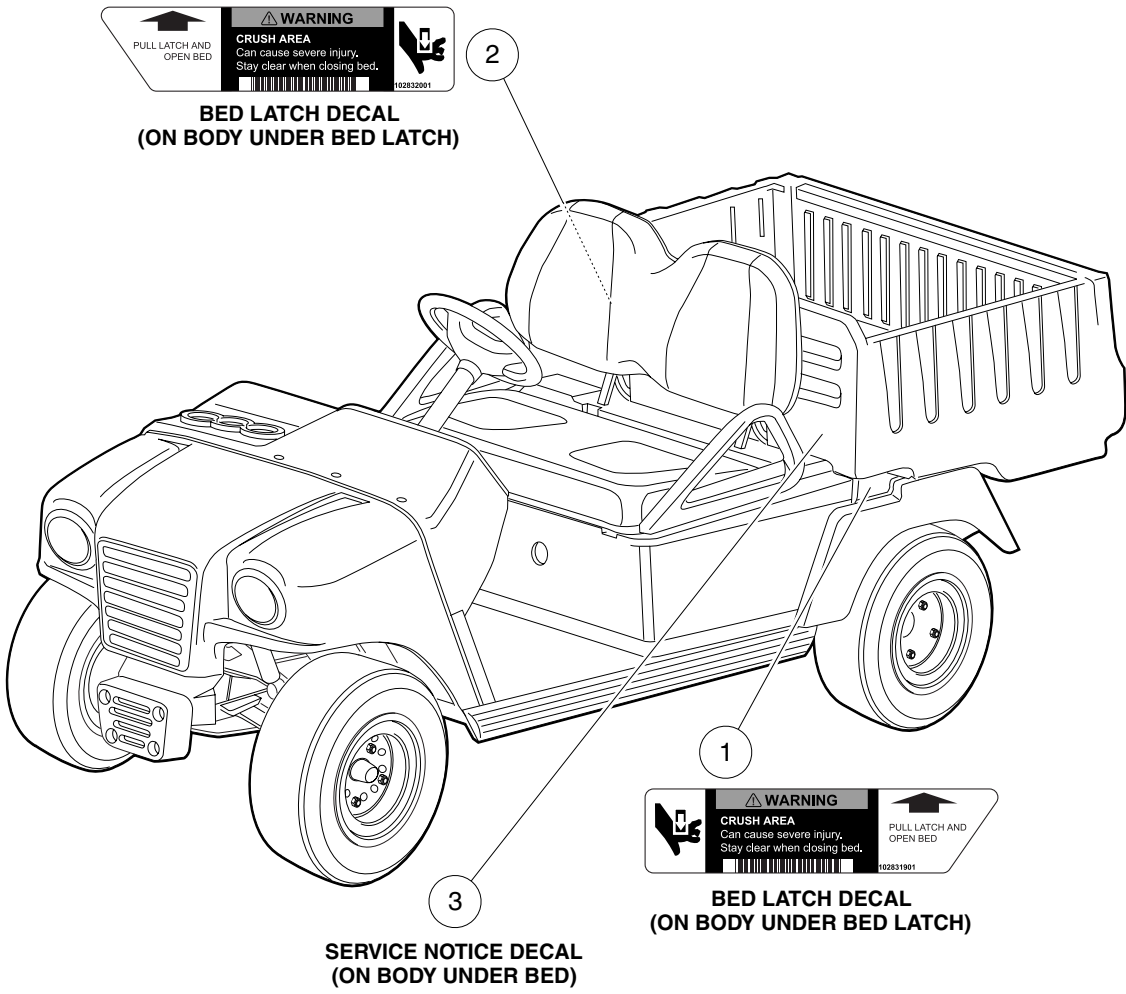
2

G

DECALS

3

G



**BED LATCH DECAL
(ON BODY UNDER BED LATCH)**



**BED LATCH DECAL
(ON BODY UNDER BED LATCH)**

**SERVICE NOTICE DECAL
(ON BODY UNDER BED)**

NOTICE

- THE OWNER/OPERATOR should maintain, lubricate, adjust, and operate the vehicle as detailed in the vehicle owners manual.

CC1 102832001

000225-001

SAFETY DECALS – GASOLINE VEHICLES

ITEM	PART NO.	DESCRIPTION	QTY
		1 2 3 4	
1	603 00 20-19	Decal, Crush Warning, Driver-Side	1
2	603 00 20-20	Decal, Crush Warning, Passenger-Side	1
3	603 00 33-24	Decal, Maintenance	1

3

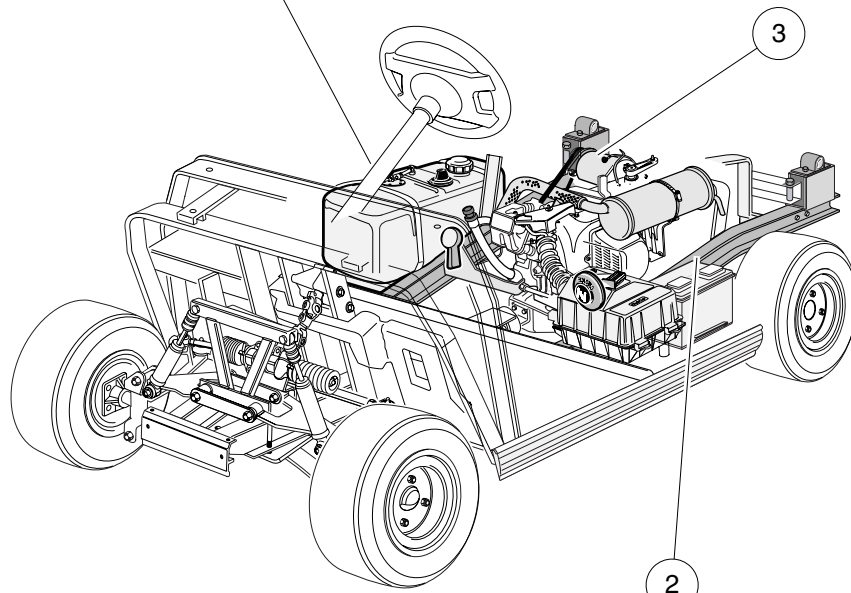
G



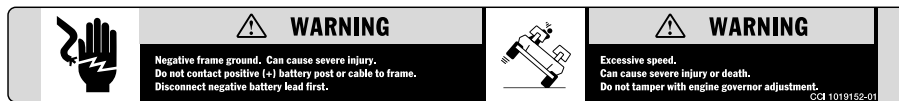
**GASOLINE WARNING DECAL
(ON VEHICLE FRAME NEAR FUEL TANK)**



**ROTATING PARTS AND
HOT MANIFOLD DECAL
(ON STARTER/GENERATOR)**



**FRAME GROUND AND
GOVERNOR WARNING DECAL
(ON VEHICLE FRAME NEAR BATTERY)**



000226-001

SAFETY DECALS – GASOLINE VEHICLES, CONTINUED

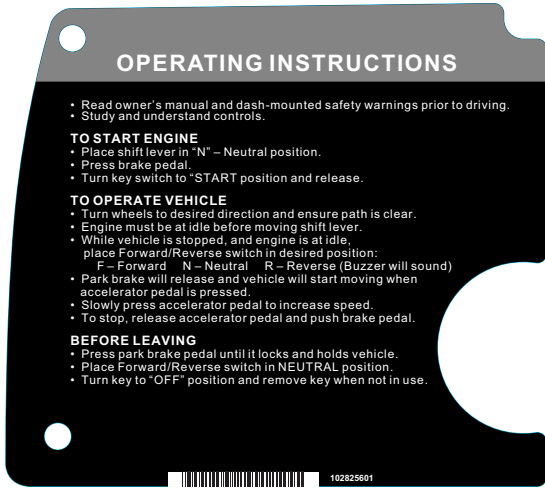
ITEM	PART NO.	DESCRIPTION	QTY
		1 2 3 4	
1	603 00 04-62	Decal, Gasoline Explosion/Fire Warning	1
2	603 00 05-85	Decal, Frame Ground and Governor Warning	1
3	603 00 06-15	Decal, Rotating Parts/Hot Manifold	1

3

G

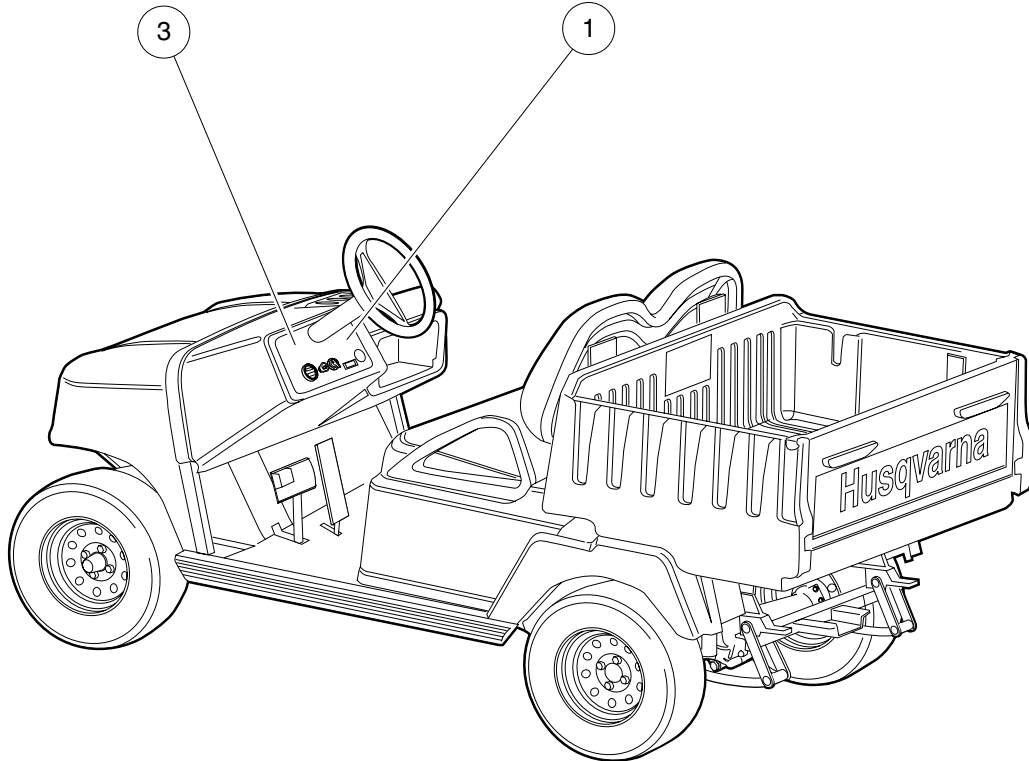
3

G



OPERATING INSTRUCTIONS

DRIVER AND PASSENGER WARNING DECAL



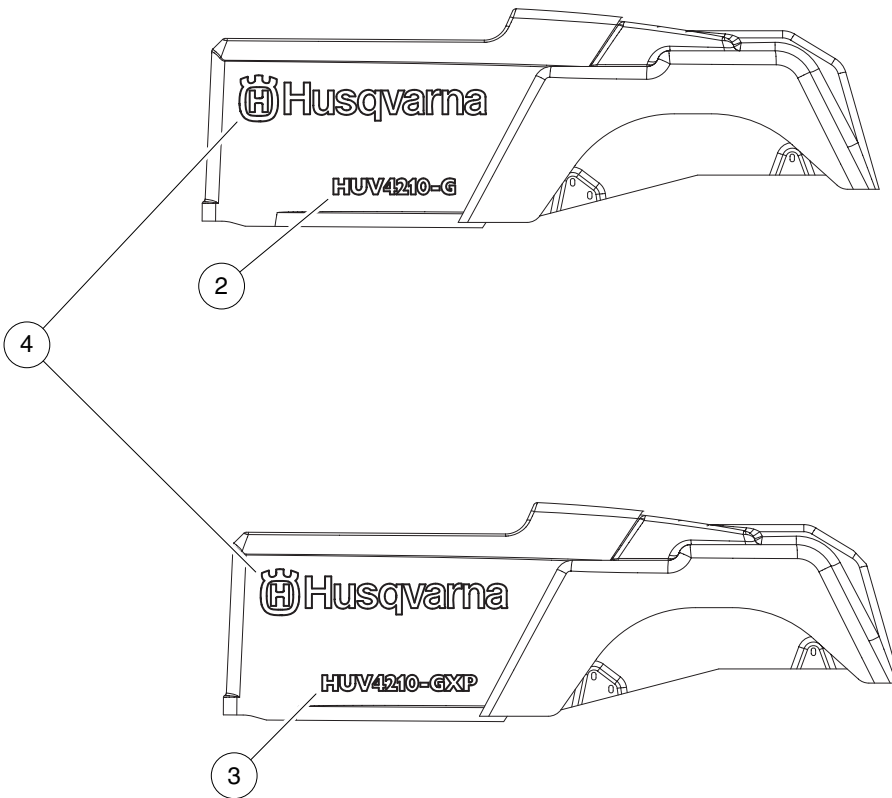
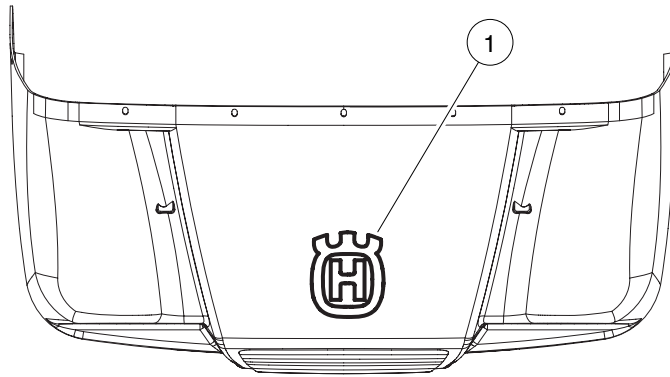
000227-001

SAFETY DECALS – GASOLINE VEHICLES, CONTINUED

ITEM	PART NO.	DESCRIPTION	QTY
		1 2 3 4	
1	603 00 32-93	Decal, Warning, Instrument Panel	1
2	603 00 32-94	Decal, Warning, Instrument Panel	1
3	603 00 32-95	Decal, Operating Instructions, Instrument Panel	1
		Note: Item 2 is used only on vehicles equipped with a 12-volt accessory outlet.	

3
G

3
G



000300-001

LOGO DECALS – GASOLINE VEHICLES

ITEM	PART NO.	DESCRIPTION	QTY
		1 2 3 4	
1	603 00 32-99	Decal, Husqvarna, Cowl	1
2	603 00 33-00	Decal, Husqvarna, Side Panel (HUV4210-G)	2
3	603 00 33-01	Decal, Husqvarna, Side Panel (HUV4210-GXP)	2
4	603 00 23-69	Decal, Husq, Side	2

3

G

3

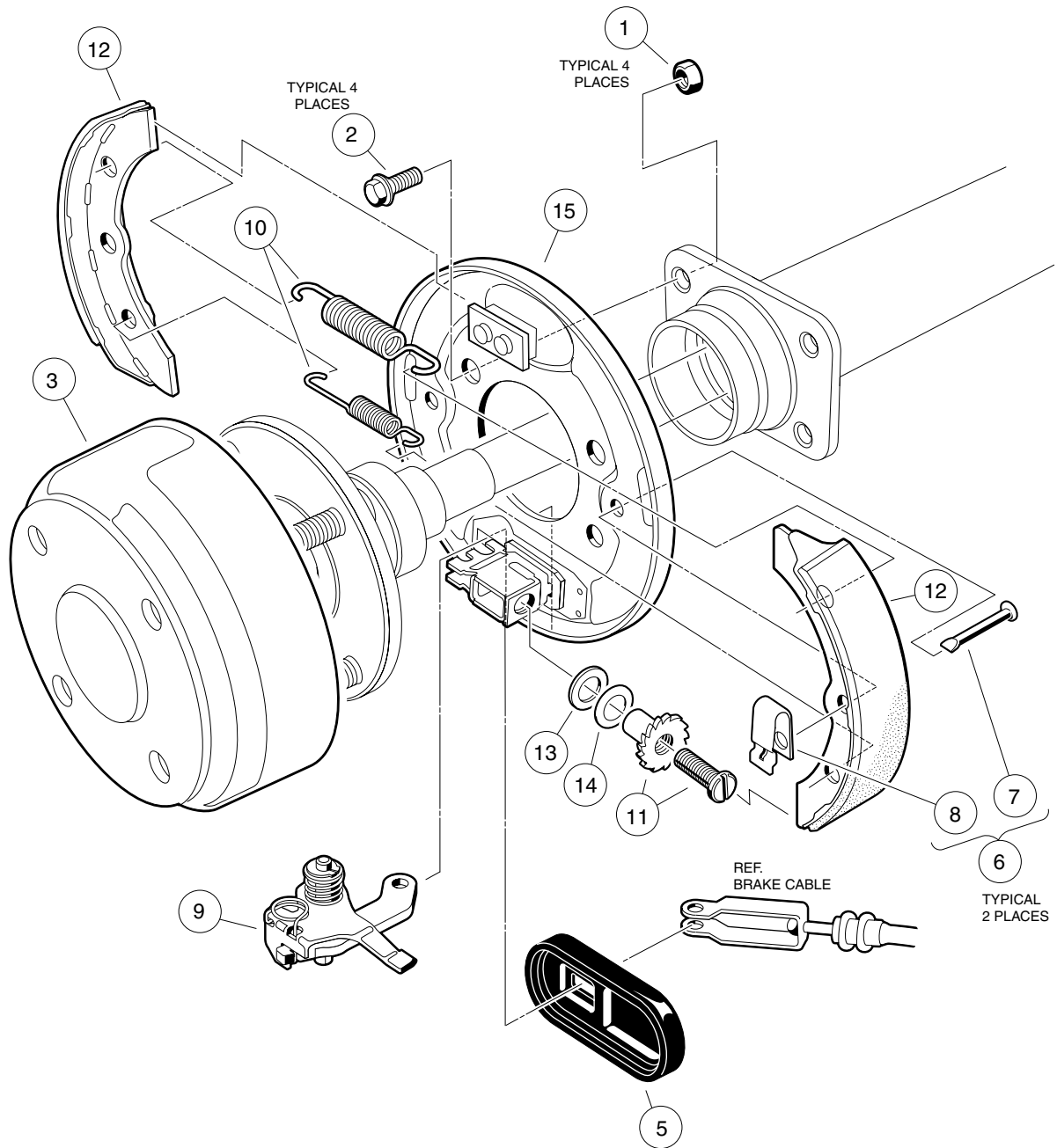
G

BRAKES, PEDAL, AND CABLE ASSEMBLIES

4

G

4
G



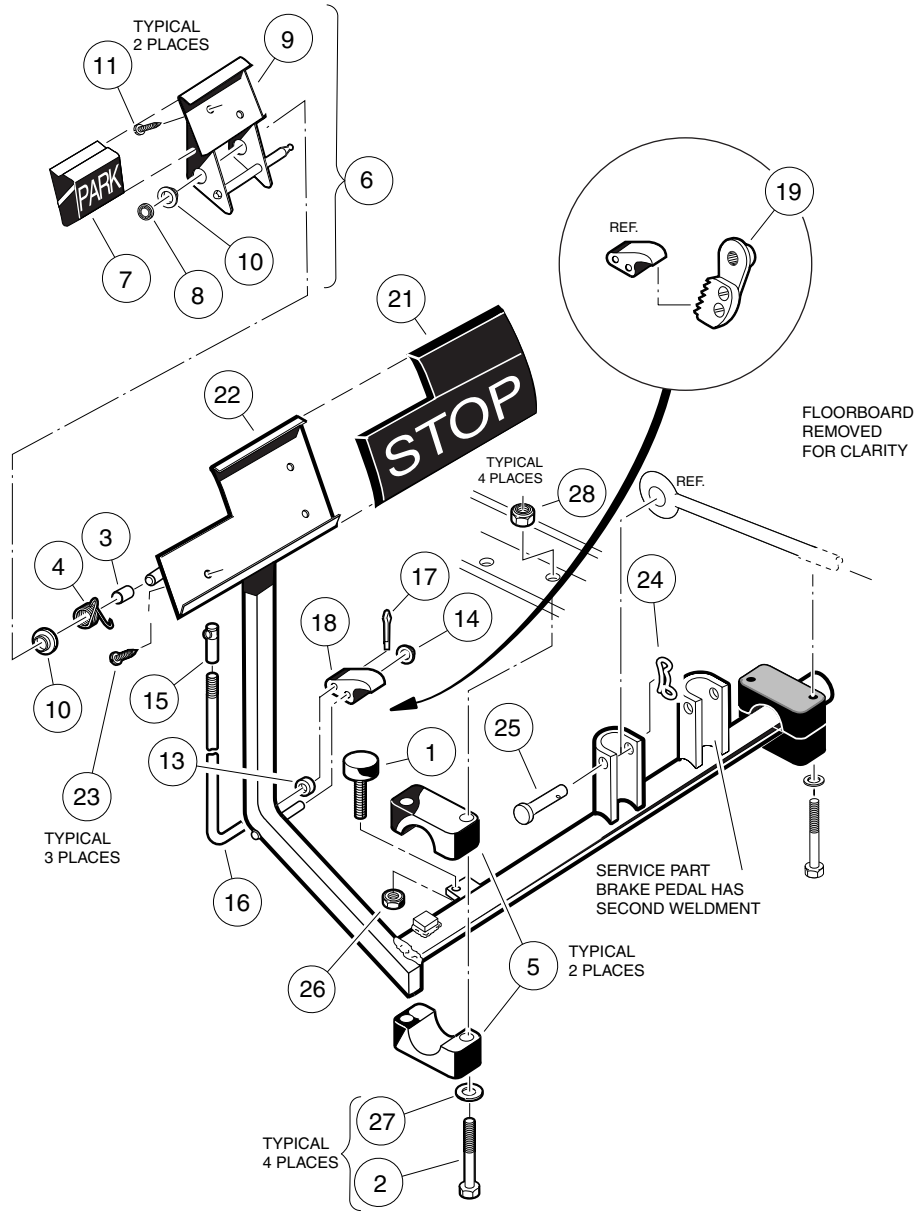
000186-001

REAR BRAKE ASSEMBLY, SELF-ADJUSTING – VEHICLE WITH 2-WHEEL BRAKES

4
G

ITEM	PART NO.	DESCRIPTION	QTY
		1 2 3 4	
1	603 00 01-93	Nut, 5/16-24 Hex Head Cone	8
2	603 00 30-69	Bolt, Brake Cluster Mounting	8
3	603 00 31-75	Drum without Center Hole, Brake	2
4	603 00 31-86	Cluster Assembly, Right (Passenger) Brake (includes items 5 through 15)	1
5	603 00 30-38	Dust Cover	1
6	603 00 30-44	Kit, Shoe Retainer (includes items 7 and 8)	1
7	N/A	Pin	2
8	N/A	Shoe Clamp Spring	2
9	603 00 31-79	Lever Assembly, Self-Adjusting Brake, Right (Passenger)	1
10	603 00 31-81	Package, Brake Spring, Self-Adjusting	1
11	603 00 31-82	Adj Mechanism, S.A. Brakes, Right (Passenger)	1
12	603 00 31-85	Package, Brake Shoe, Self-Adjusting	1
13	603 00 31-88	Plate, Washer, Brake, Self-Adjusting	1
14	603 00 31-89	Washer, Brake, Self-Adjusting	1
15	603 00 31-90	Plate Assembly, Right Brake Backing	1
16	603 00 31-87	Cluster Assembly, Left Brake (includes items 17 through 27)	1
17	603 00 30-38	Dust Cover	1
18	603 00 30-44	Kit, Shoe Retainer (includes items 19 and 20)	1
19	N/A	Pin	2
20	N/A	Shoe Clamp Spring	2
21	603 00 31-80	Lever Assembly, Self-Adjusting Brake, Left	1
22	603 00 31-81	Package, Brake Spring, Self-Adjusting	1
23	603 00 31-83	Adjusting Mechanism, Self-Adjusting Brake, Left	1
24	603 00 31-85	Package, Brake Shoe, Self-Adjusting	1
25	603 00 31-88	Plate, Washer, Brake, Self-Adjusting	1
26	603 00 31-89	Washer, Brake, Self-Adjusting	1
27	603 00 31-91	Plate Assembly, Left Brake Backing	1
<p>Note: Driver-side brake cluster not shown. Components have a similar appearance to passenger-side brake cluster components.</p>			

4
G

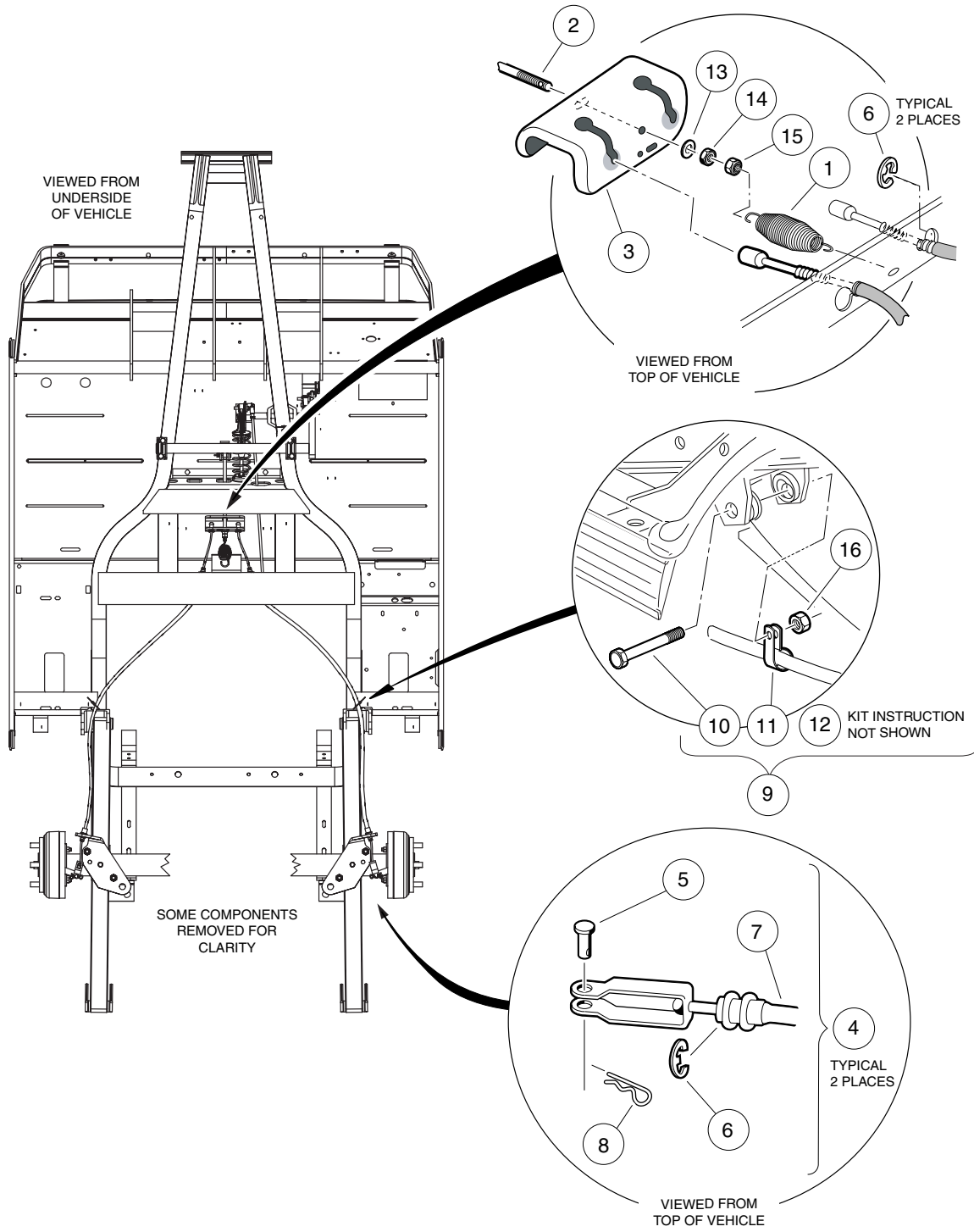


000187-001

BRAKE PEDAL ASSEMBLY – VEHICLES WITH TWO-WHEEL BRAKES

ITEM	PART NO.	DESCRIPTION	QTY
		1 2 3 4	
1	603 00 01-13	Bumper, Rubber	1
2	603 00 01-15	Screw, 5/16-18 X 2.50 Hex Cap	4
3	603 00 30-40	Hill Brake Spacer	1
4	603 00 30-42	Spring, Hill Brake Torsion	1
5	603 00 01-21	Package, Brake Mounting Block	1
6	603 00 30-43	Kit, Hill Brake Pedal (includes items 7 through 11)	1
7	603 00 30-65	Pad, Hill Brake	1
8	603 00 30-66	Pushnut, 3/8	1
9	N/A	Hill Brake Weld Assembly	1
10	603 00 33-02	Bushing, Nylon	2
11	603 00 00-81	Screw, #10-16 Type AB, Sheet Metal	2
12	603 00 30-46	Kit, Hill Brake Latch (includes items 13 through 19)	1
13	603 00 30-37	Sleeve, Hill Brake Rod	1
14	603 00 30-39	Pushnut, 3/8	1
15	603 00 30-41	Ball Joint, 1/4-28	1
16	N/A	Rod, Hill Brake	1
17	603 00 31-55	Pin, Cotter, 7/64 x 1/2 Stainless-Steel	1
18	N/A	Pawl, Hill Brake	1
19	N/A	Ratchet Assembly	1
20	603 00 32-00	Brake Pedal Kit (includes items 21 through 23)	1
21	603 00 30-64	Pad, Brake Pedal	1
22	N/A	Weldment, Brake Pedal 4wb Std	1
23	603 00 00-81	Screw, #10-16 Type AB, Sheet Metal	3
24	603 00 08-82	Pin, Bow Tie Locking	1
25	603 00 26-01	Pin, 3/8 X 1-5/16 Clevis	1
26	603 00 00-62	Nut, 1/4-20 Hex	1
27	603 00 00-65	Washer, 5/16 Type A Flat	4
28	603 00 00-78	Locknut, 5/16-18 Nylon Insert	4

4
G



000245-002

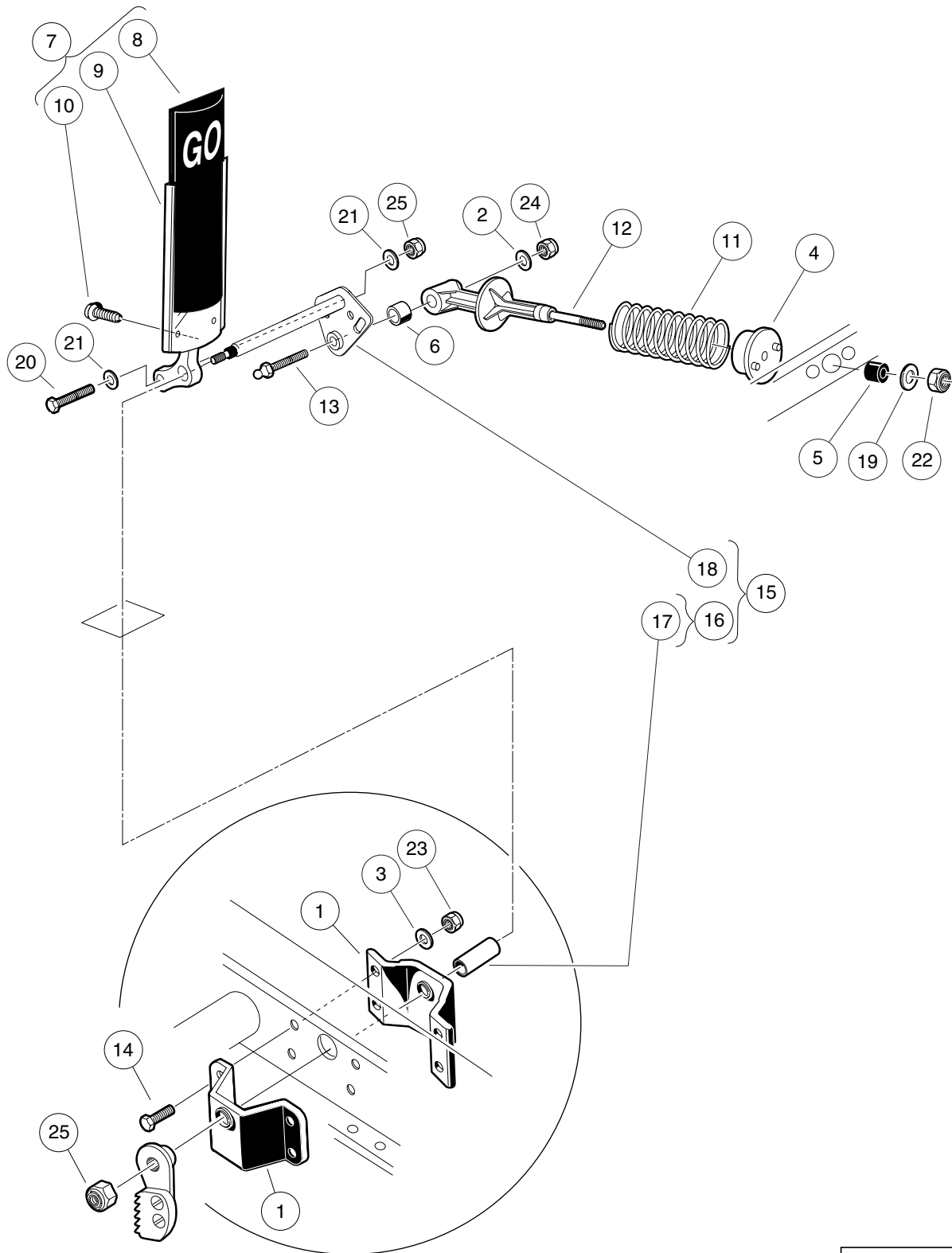
BRAKE CABLE, EQUALIZER, AND EQUALIZER ROD – VEHICLES WITH TWO-WHEEL BRAKES

ITEM	PART NO.	DESCRIPTION	QTY
		1 2 3 4	
1	603 00 01-75	Spring, Brake Return	1
2	603 00 32-37	Rod, Equalizer	1
3	603 00 32-49	Equalizer Bracket	1
4	603 00 32-51	Brake Cable Kit (includes items 5 through 8)	2
5	603 00 01-12	Pin, Clevis, 5/16 X 3/4	1
6	603 00 01-30	E-Clip, 1/2	2
7	N/A	Cable, Brake	1
8	603 00 00-63	Pin, 3/32 X 1.00 Sq Cut Cotter	1
9	603 00 43-45	Kit, Field P-clamp, Brake Line (includes items 10 through 12)	1
10	603 00 07-82	Screw, 3/8-16 X 3.50 Hex Cap	2
11	603 00 43-44	P-clamp, Brake Line	2
12	603 00 43-76	Instr Fd. P-clamp, Brake Line	1
13	603 00 00-65	Washer, 5/16 Type A Flat	5
14	603 00 00-66	Nut, 5/16-18 Hex	1
15	603 00 00-78	Locknut, 5/16-18 Nylon Insert	5
16	603 00 00-95	Locknut, 3/8-16 Hex	2

4

G

4
G



000188-003

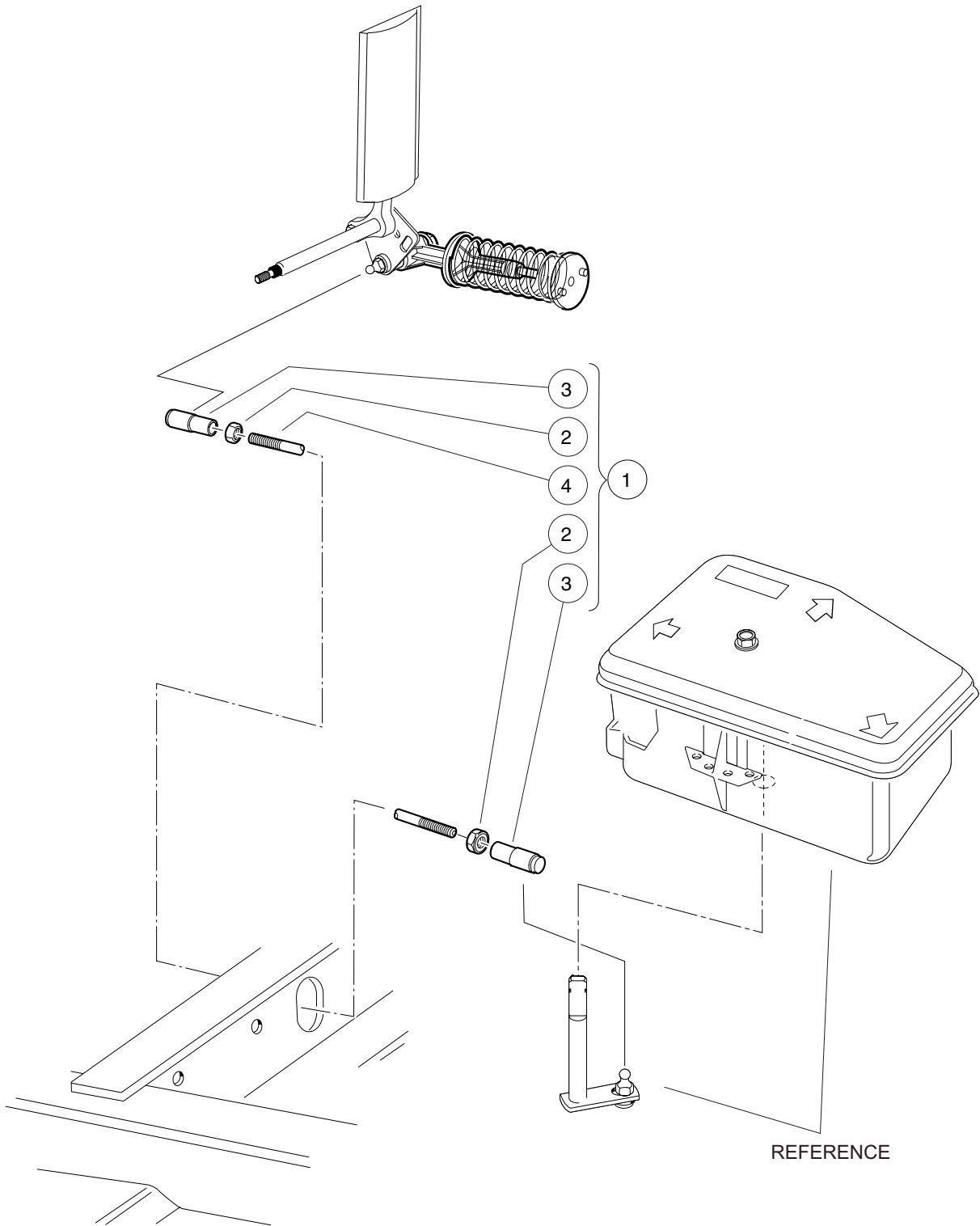
ACCELERATOR PEDAL ASSEMBLY – GASOLINE VEHICLE

ITEM	PART NO.	DESCRIPTION	QTY
		1 2 3 4	
1	603 00 01-26	Accelerator Bracket and Bearing Assembly	2
2	603 00 30-48	Washer, 1/4 Flat	1
3	603 00 01-94	Washer, 1/4 Flat	4
4	603 00 03-92	Cup, Spring	1
5	603 00 03-93	Bumper, Spring Return	1
6	603 00 03-95	Bearing, Pivot Support	1
7	603 00 04-32	Sub Asm, Accelerator Pedal (includes items 8 through 10)	1
8	603 00 01-92	Pad, Accelerator Pedal	1
9	N/A	Accelerator Pedal Weldment	1
10	603 00 00-81	Screw, #10-16 Type AB, Sheet Metal	4
11	603 00 04-90	Spring, Accelerator Return	1
12	603 00 04-99	Retainer, Spring	1
13	603 00 05-00	Stud, 1/4-28 X 1.35 Ball	1
14	603 00 05-28	Screw, 1/4-20 X 1.125 Hex Cap	4
15	603 00 06-97	Kit, Accelerator Pivot Rod Assembly (includes items 16 through 18)	1
16	603 00 22-38	Spacer Assembly (includes item 17)	1
17	N/A	Spacer, Accelerator	1
18	N/A	Pivot Rod Weldment	1
19	603 00 00-65	Washer, 5/16 Type A Flat	1
20	603 00 00-68	Screw, 3/8-16 X 1.50 Hex-Head Cap	1
21	603 00 00-55	Washer, 3/8 Type A Flat	2
22	603 00 00-78	Locknut, 5/16-18 Nylon Insert	1
23	603 00 00-89	Locknut, 1/4-20 Nylon Insert	4
24	603 00 00-94	Locknut, 1/4-28 Nylon Insert	1
25	603 00 00-95	Locknut, 3/8-16 Hex	2

4

G

4
G



000362-001

ACCELERATOR ROD

ITEM	PART NO.	DESCRIPTION	QTY
		1 2 3 4	
1	603 00 32-23	Rod, Accelerator (includes items 2 through 4)	1
2	603 00 01-19	Nut, 1/4-28 Hex Jam	2
3	603 00 01-29	Joint, Ball	2
4	N/A	Accelerator Rod	1

4

G

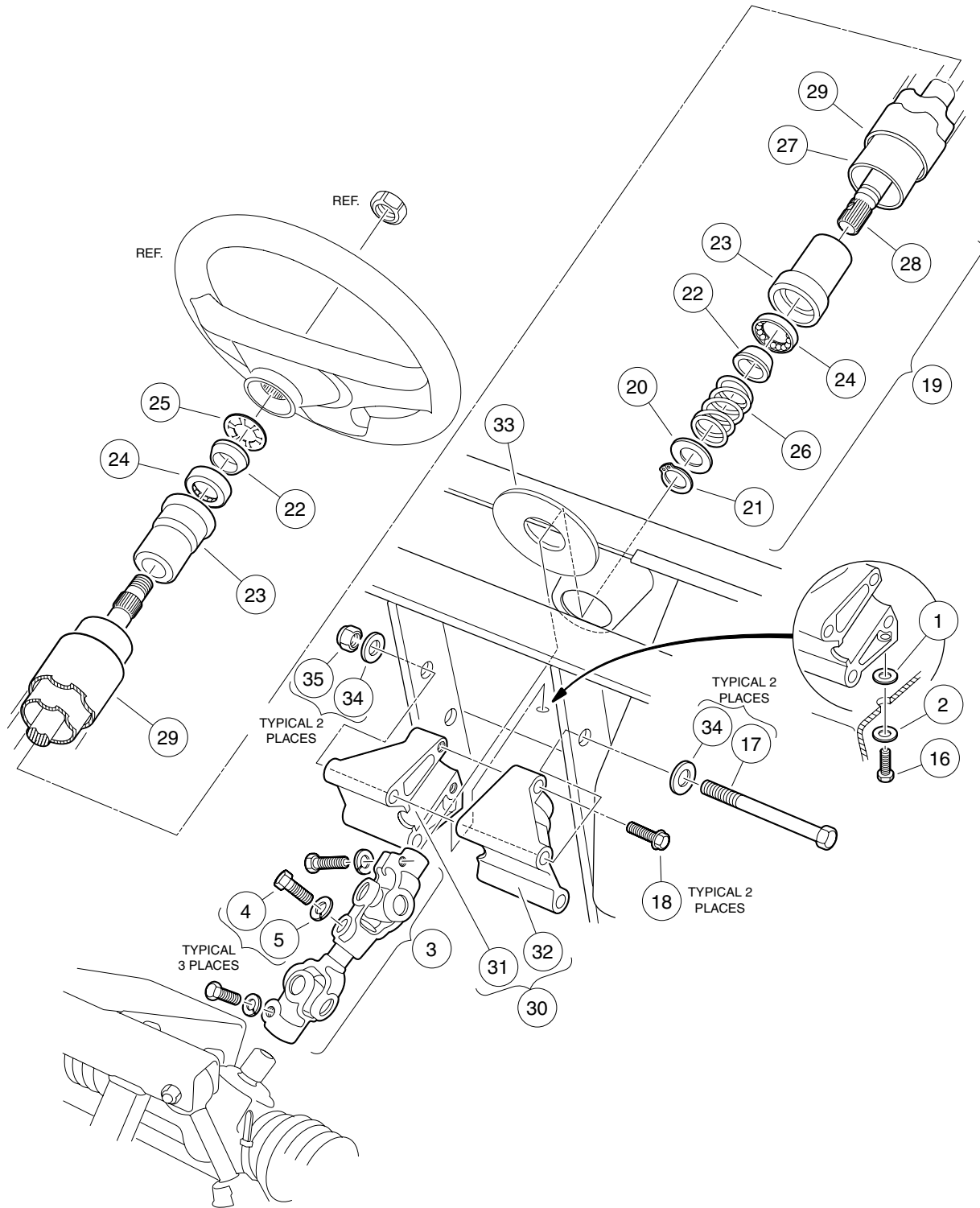
4

G

STEERING, FRONT, AND REAR SUSPENSIONS

5

G



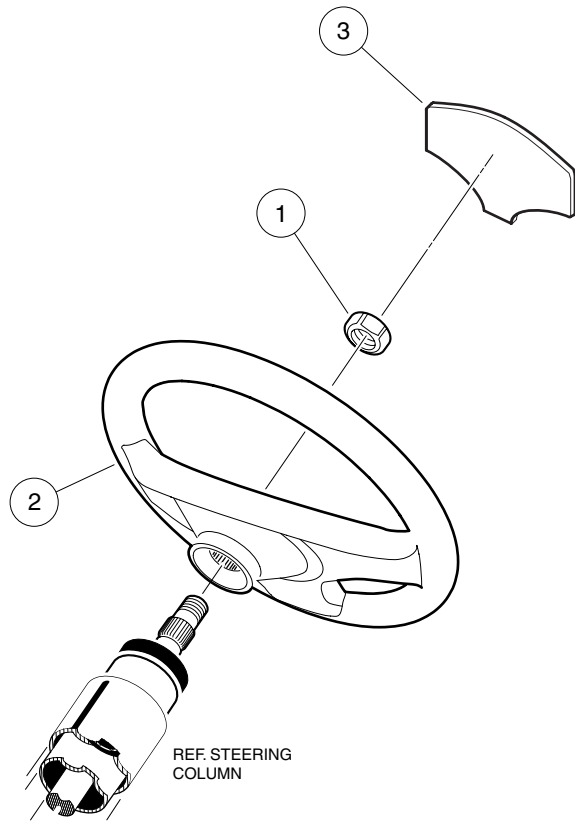
000247-001

STEERING COLUMN

ITEM	PART NO.	DESCRIPTION	QTY
		1 2 3 4	
1	603 00 30-45	Washer, 5/16 Type B Flat	1
2	603 00 01-27	Washer, 5/16 Flat	1
3	603 00 30-63	Intermediate Steering Shaft (includes items 4 and 5)	1
4	603 00 03-86	Bolt, Hex-Head, 8mm X 1.25 - 30	3
5	603 00 00-72	Lockwasher, 5/16 Split	3
6	603 00 30-73	Steering Column Rebuild Kit (includes items 7 through 15)	A/R
7	603 00 30-53	Dust Cover	1
8	603 00 01-48	Ring, 0.579 Internal Retaining	1
9	603 00 02-12	Wedge, Molded	2
10	603 00 02-13	Seat, Plastic Bearing	2
11	603 00 30-71	Seal, Bearing	1
12	603 00 30-72	Spacer, Shaft	1
13	603 00 02-16	Bearing, Ball	2
14	603 00 02-17	Ring, Retaining	1
15	603 00 02-18	Spring, Steering Shaft	1
16	603 00 02-20	Screw, 5/16-18 X 0.75 Thread-Forming	1
17	603 00 02-81	Screw, 3/8-16 X 7.00 Hex Cap	2
18	603 00 30-86	Screw, 5/16-18 Thrd Forming	2
19	603 00 31-61	Steering Shaft Assembly (includes items 20 through 28)	1
20	603 00 01-47	Washer, 0.675 ID X 1.19 OD	1
21	603 00 01-48	Ring, 0.579 Internal Retaining	1
22	603 00 02-12	Wedge, Molded	2
23	603 00 02-13	Seat, Plastic Bearing	2
24	603 00 02-16	Bearing, Ball	2
25	603 00 02-17	Ring, Retaining	1
26	603 00 02-18	Spring, Steering Shaft	1
27	603 00 31-62	Column, Aluminum Steering	1
28	603 00 03-90	Shaft Steering Column	1
29	603 00 31-63	Tube Cover, Steering Column	1
30	603 00 32-46	Kit, Steering Column Mounting Bracket (includes items 31 and 32)	1
31	N/A	Bracket, RH Steering Column Mount	1
32	N/A	Bracket, LH Steering column mount	1
33	603 00 08-68	Boot, Steering Column Round	1
34	603 00 00-55	Washer, 3/8 Type A Flat	4
35	603 00 00-95	Locknut, 3/8-16 Hex	2
		Note: Item 6 is not illustrated.	

5

G

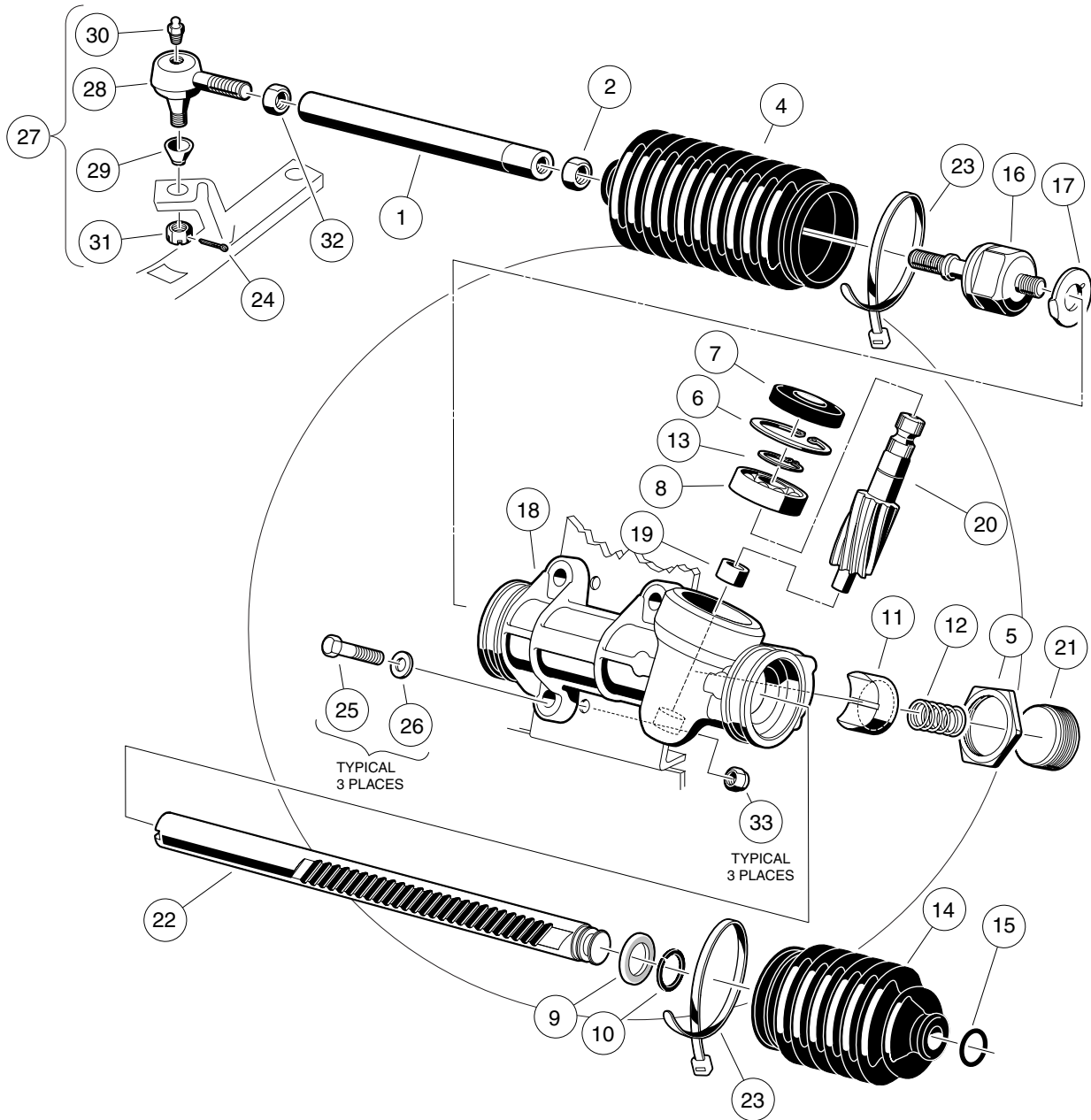


000246-001

STEERING WHEEL

ITEM	PART NO.	DESCRIPTION	QTY
		1 2 3 4	
1	603 00 03-89	Nut, 5/8-18 Nylon Insert Jam	1
2	603 00 32-77	Steering Wheel, Spline	1
3	603 00 32-91	Wheel Center	1

5
G

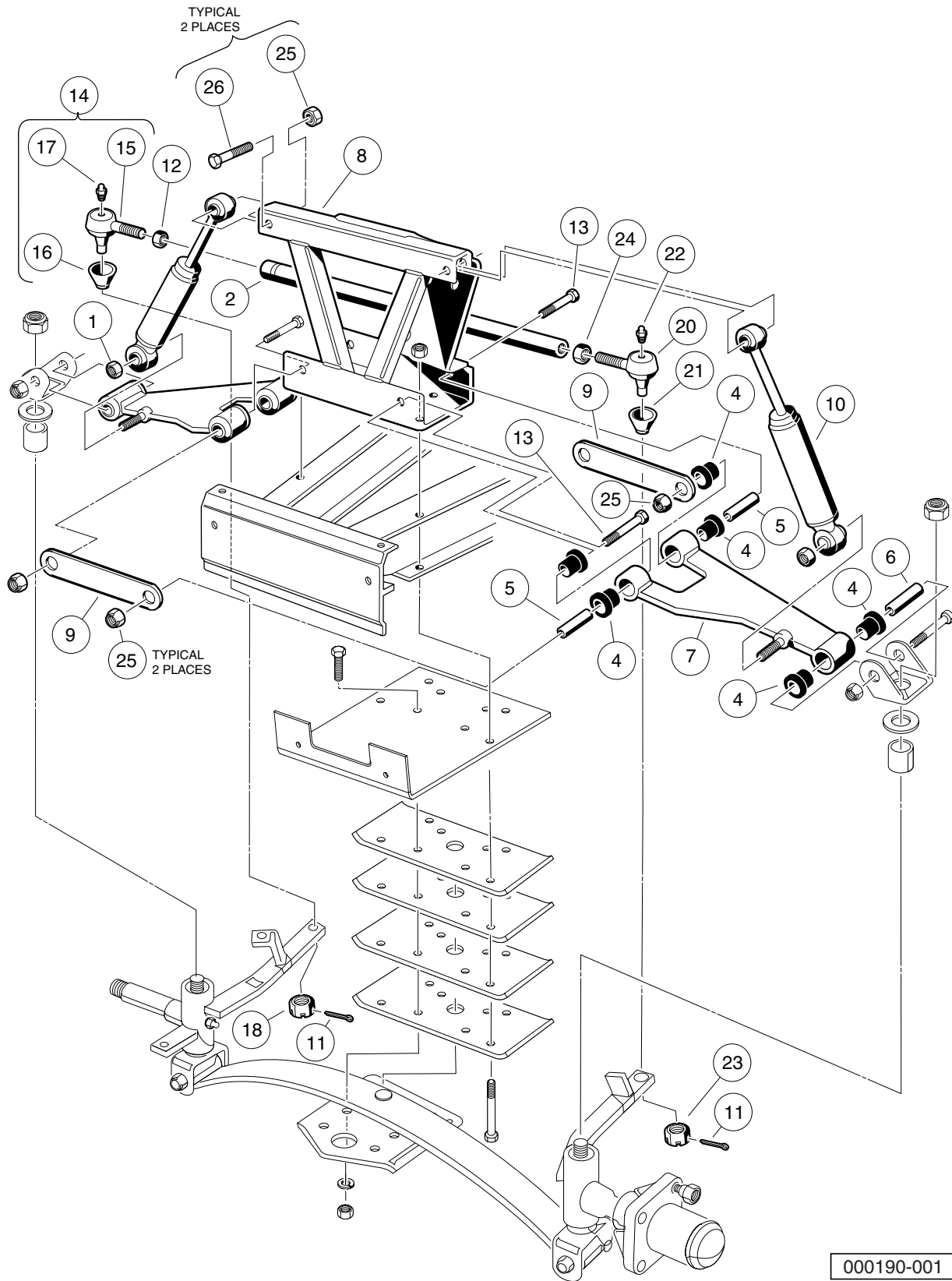


000189-001

STEERING GEAR ASSEMBLY

ITEM	PART NO.	DESCRIPTION	QTY
		1 2 3 4	
1	603 00 30-54	Link, Rack and Pinion Drag	1
2	603 00 01-67	Nut, 12mm Hex	1
3	603 00 32-01	Steering Gear Assembly (without yoke) (includes items 4 through 23)	1
4	603 00 01-66	Bellows, Long	1
5	603 00 01-68	Rack Screw Locknut	1
6	603 00 01-69	Snap Ring	1
7	603 00 01-70	Seal, Steering Pinion Dust	1
8	603 00 05-49	Bearing, Ball	1
9	603 00 32-02	Stop Washer	1
10	603 00 32-03	Stop Ring, C-Type	1
11	603 00 05-50	Support Yoke	1
12	603 00 05-51	Rack Guide Pressure Spring	1
13	603 00 05-52	Ring, Stop, C-Type	1
14	603 00 32-04	Bellows, Short	1
15	603 00 32-05	Dust Seal Retaining Ring	1
16	603 00 05-53	Inner Ball Joint Asm	1
17	603 00 32-06	Washer, Tab	1
18	N/A	Box, Steering Gear	1
19	N/A	Bearing, Lower Pinion	1
20	N/A	Pinion, Steering	1
21	N/A	Screw, Rack Guide	1
22	N/A	Rack, Steering	1
23	603 00 29-63	Tie Wrap, 8" Nylon	2
24	603 00 00-63	Pin, 3/32 X 1.00 Sq Cut Cotter	1
25	603 00 00-68	Screw, 3/8-16 X 1.50 Hex-Head Cap	3
26	603 00 00-55	Washer, 3/8 Type A Flat	3
27	603 00 20-40	Ball Joint, Left (includes items 28 through 31)	1
28	N/A	Socket, LH Vertical	1
29	603 00 30-47	Seal, Vertical Socket Dust	1
30	603 00 02-64	Fitting, 1/4-28 Thread-Forming Grease	1
31	603 00 33-09	Nut, 3/8-24 UNF Hex	1
32	603 00 33-08	Nut, 1/2-20 Hex, Left-Hand Thread	1
33	603 00 00-95	Locknut, 3/8-16 Hex	3

5
G



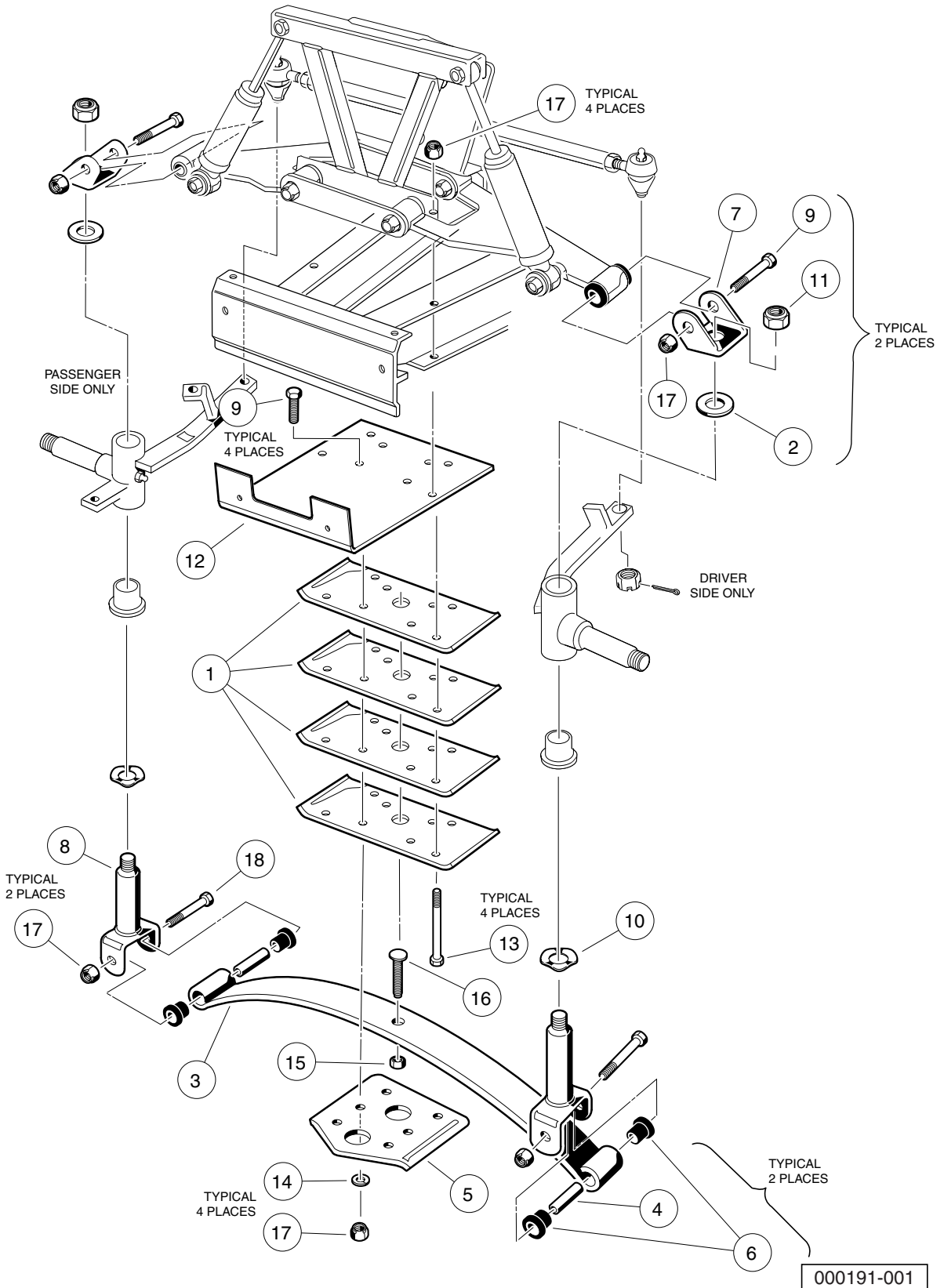
000190-001

FRONT SUSPENSION, UPPER – VEHICLES WITH TWO-WHEEL BRAKES

ITEM	PART NO.	DESCRIPTION	QTY
		1 2 3 4	
1	603 00 01-01	Locknut, 3/8-16 Dimpled	2
2	603 00 30-36	Tie Rod	1
3	603 00 36-32	Sub-Assembly, Delta A-Plate (includes items 4 through 7)	2
4	603 00 02-90	Bushing, Urethane	6
5	603 00 30-87	Sleeve, Delta Inner	2
6	603 00 30-88	Sleeve, Delta Outer	1
7	N/A	Delta A-Plate	1
8	603 00 30-91	Delta Shock and Gear Support Assembly	1
9	603 00 31-60	A-Plate Strap	2
10	603 00 43-77	Shock Absorber, Front, Common	2
11	603 00 00-63	Pin, 3/32 X 1.00 Sq Cut Cotter	2
12	603 00 33-03	Nut, 1/2-20 Hex	1
13	603 00 33-04	Screw, 3/8-16 X 2.25 Hx Hd Cap	4
14	603 00 20-39	Ball Joint, Right-Hand (includes items 15 through 18)	1
15	N/A	Socket, RH Vertical	1
16	603 00 30-47	Seal, Vertical Socket Dust	1
17	603 00 02-64	Fitting, 1/4-28 Thread-Forming Grease	1
18	603 00 33-09	Nut, 3/8-24 UNF Hex	1
19	603 00 20-40	Ball Joint, Left (includes items 20 through 23)	1
20	N/A	Socket, LH Vertical	1
21	603 00 30-47	Seal, Vertical Socket Dust	1
22	603 00 02-64	Fitting, 1/4-28 Thread-Forming Grease	1
23	603 00 33-09	Nut, 3/8-24 UNF Hex	1
24	603 00 33-08	Nut, 1/2-20 Hex, Left-Hand Thread	1
25	603 00 00-95	Locknut, 3/8-16 Hex	10
26	603 00 33-11	Bolt, 3/8-16 X 1.75 Hex	2

5
G

5
G

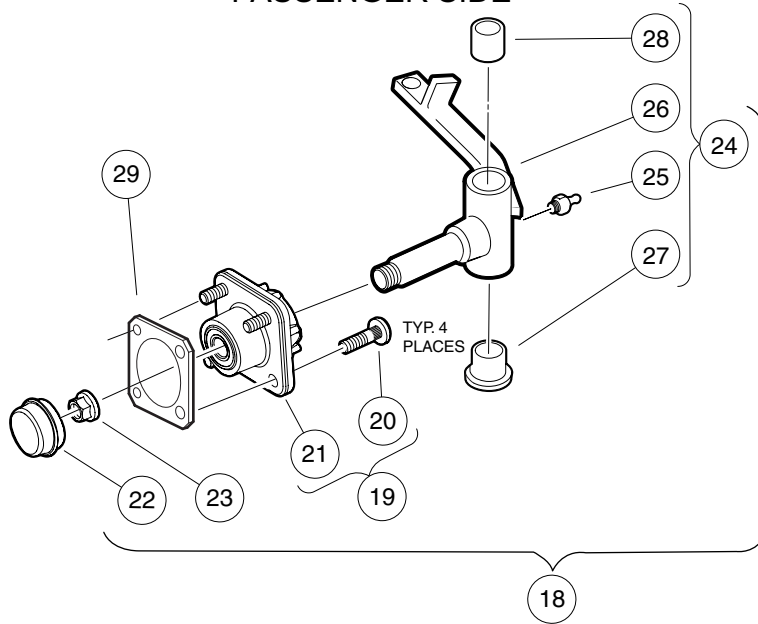


FRONT SUSPENSION, LOWER – VEHICLES WITH TWO-WHEEL BRAKES

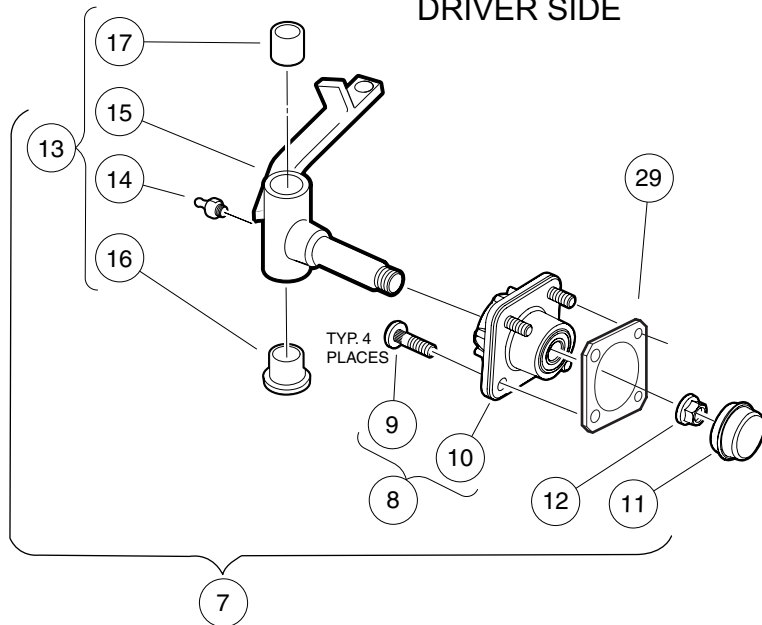
ITEM	PART NO.	DESCRIPTION	QTY
		1 2 3 4	
1	603 00 30-34	Plate, Spring Mount	4
2	603 00 01-05	Bearing, Thrust	2
3	603 00 30-49	Spring, Front Leaf	1
4	603 00 01-36	Bushing, Steel	2
5	603 00 30-75	Plate, Front Spring Retainer	1
6	603 00 02-63	Bushing, Urethane	4
7	603 00 30-90	Clevis, Delta Upper	2
8	603 00 30-92	King Pin Assembly	2
9	603 00 02-91	Screw, 3/8-16 X 2.75 Hx Hd Cap	6
10	603 00 02-92	Washer, 1.125 Od Wave	2
11	603 00 05-78	Locknut, 1/2-20 Nylon Insert	2
12	603 00 32-97	Support, Brush Guard	1
13	603 00 20-58	Screw, 3/8-16 X 5.50 Hx Hd Cap	4
14	603 00 00-56	Washer, Lock, Hel Sp 3/8 Reg	4
15	603 00 33-05	Nut, Hex 3/8-16	1
16	603 00 33-10	Screw, Eccentric Adjustment	1
17	603 00 00-95	Locknut, 3/8-16 Hex	8
18	603 00 00-96	Screw, 3/8-16 X 3.375 Hex Cap	2

5
G

PASSENGER SIDE

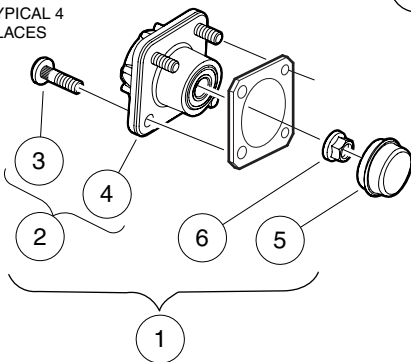


DRIVER SIDE



REPLACEMENT HUB FOR DRIVER OR PASSENGER SIDE

TYPICAL 4 PLACES



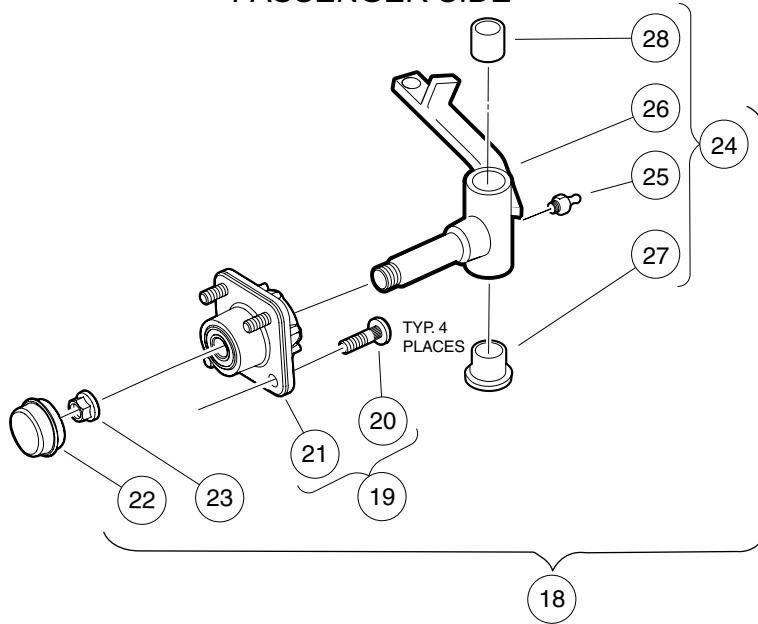
000301-001

FRONT SPINDLES AND HUBS – EARLIER STYLE

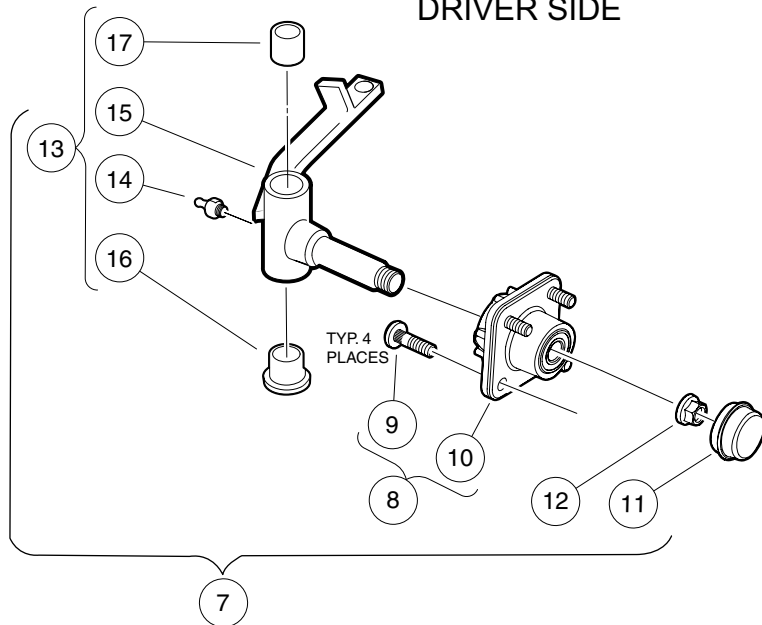
ITEM	PART NO.	DESCRIPTION	QTY
		1 2 3 4	
1	603 00 22-69	Replacement Kit, Front Hub (includes items 2 through 6)	2
2	N/A	Front Hub Assembly, Ball Bearing (includes items 3 and 4)	1
3	603 00 32-60	Lug Stud, 1/2-20 UNF, 4037 Stl	4
4	N/A	Hub, Front	1
5	603 00 32-58	Cap, Front Hub	1
6	603 00 32-59	Hex Nut, Locking Flange, M14x2	1
7	N/A	Asm, Front Hub And Spindle, Left-Hand (includes items 8 through 13)	1
8	N/A	Front Hub Assembly, Ball Bearing (includes items 9 and 10)	1
9	603 00 32-60	Lug Stud, 1/2-20 UNF, 4037 Stl	4
10	N/A	Hub, Front	1
11	603 00 32-58	Cap, Front Hub	1
12	603 00 32-59	Hex Nut, Locking Flange, M14x2	1
13	603 00 32-62	Assembly, Spindle, Left-Hand (includes items 14 through 17)	1
14	603 00 02-64	Fitting, 1/4-28 Thread-Forming Grease	1
15	N/A	Sub-Assembly, Spindle, Left-Hand	1
16	603 00 00-70	Bushing, Flanged Bronze	1
17	603 00 00-88	Bushing, Bronze Spindle	1
18	N/A	Asm, Front Hub And Spindle, Right-Hand (includes items 19 through 24)	1
19	N/A	Front Hub Assembly, Ball Bearing (includes items 20 and 21)	1
20	603 00 32-60	Lug Stud, 1/2-20 UNF, 4037 Stl	4
21	N/A	Hub, Front	1
22	603 00 32-58	Cap, Front Hub	1
23	603 00 32-59	Hex Nut, Locking Flange, M14x2	1
24	603 00 32-61	Assembly, Spindle, Right-Hand (includes items 25 through 28)	1
25	603 00 02-64	Fitting, 1/4-28 Thread-Forming Grease	1
26	N/A	Sub-Assembly, Spindle, Right-Hand	1
27	603 00 00-70	Bushing, Flanged Bronze	1
28	603 00 00-88	Bushing, Bronze Spindle	1
29	603 00 23-67	Spacer, Wheel	2

5
G

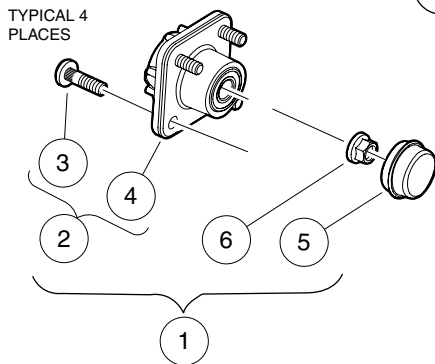
PASSENGER SIDE



DRIVER SIDE



REPLACEMENT HUB FOR DRIVER OR PASSENGER SIDE



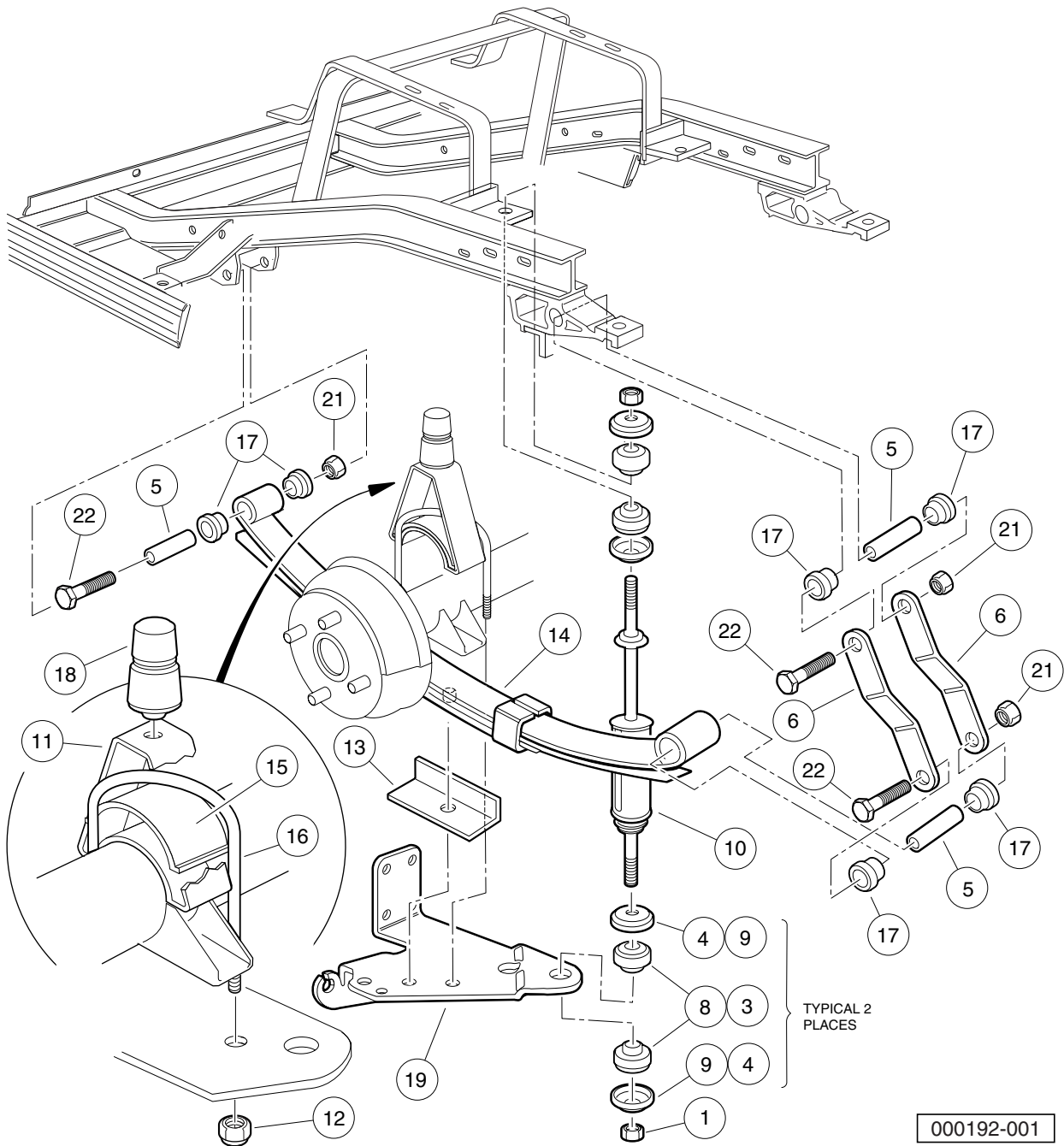
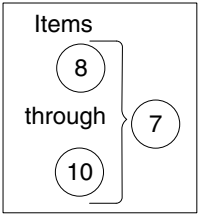
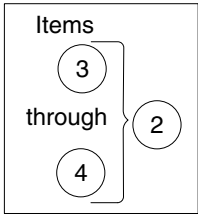
000301-002

FRONT SPINDLES AND HUBS – LATER STYLE

ITEM	PART NO.	DESCRIPTION	QTY
		1 2 3 4	
1	603 00 22-69	Replacement Kit, Front Hub (includes items 2 through 6)	2
2	N/A	Front Hub Assembly, Ball Bearing (includes items 3 and 4)	1
3	603 00 32-60	Lug Stud, 1/2-20 UNF, 4037 Stl	4
4	N/A	Hub, Front	1
5	603 00 32-58	Cap, Front Hub	1
6	603 00 32-59	Hex Nut, Locking Flange, M14x2	1
7	N/A	Asm, Hub And Spindle, Left-Hand Ext (includes items 8 through 13)	1
8	N/A	Front Hub Assembly, Ball Bearing (includes items 9 and 10)	1
9	603 00 32-60	Lug Stud, 1/2-20 UNF, 4037 Stl	4
10	N/A	Hub, Front	1
11	603 00 32-58	Cap, Front Hub	1
12	603 00 32-59	Hex Nut, Locking Flange, M14x2	1
13	603 00 23-63	Asm, Spindle, LH, Ext (includes items 14 through 17)	1
14	603 00 02-64	Fitting, 1/4-28 Thread-Forming Grease	1
15	603 00 23-65	Subasm, Spindle, LH, Ext	1
16	603 00 00-70	Bushing, Flanged Bronze	1
17	603 00 00-88	Bushing, Bronze Spindle	1
18	N/A	Asm, Hub And Spindle, Right-Hand Ext (includes items 19 through 24)	1
19	N/A	Front Hub Assembly, Ball Bearing (includes items 20 and 21)	1
20	603 00 32-60	Lug Stud, 1/2-20 UNF, 4037 Stl	4
21	N/A	Hub, Front	1
22	603 00 32-58	Cap, Front Hub	1
23	603 00 32-59	Hex Nut, Locking Flange, M14x2	1
24	603 00 23-62	Asm, Spindle, RH, Ext (includes items 25 through 28)	1
25	603 00 02-64	Fitting, 1/4-28 Thread-Forming Grease	1
26	603 00 23-64	Subasm, Spindle, RH, Ext	1
27	603 00 00-70	Bushing, Flanged Bronze	1
28	603 00 00-88	Bushing, Bronze Spindle	1

5
G

5
G



000192-001

REAR SUSPENSION – VEHICLES WITH TWO-WHEEL BRAKES

ITEM	PART NO.	DESCRIPTION	QTY
		1 2 3 4	
1	603 00 01-04	Nut, 3/8-24 Hex	4
2	603 00 30-22	Kit, Shock Absorber Cushion (includes items 3 and 4)	4
3	N/A	Cushion, Shock Absorber	2
4	N/A	Retainer, Shock Absorber Cushion	2
5	603 00 01-36	Bushing, Steel	6
6	603 00 30-52	Shackle, Rear Spring	4
7	603 00 30-56	Shock Absorber Kit (includes items 8 through 10)	1
8	N/A	Cushion, Shock Absorber	8
9	N/A	Retainer, Shock Absorber Cushion	8
10	603 00 43-78	Shock Absorber Rear Prv Spd	2
11	603 00 30-76	Bumper Mount, Angled	2
12	603 00 02-33	Locknut, 7/16-14 Nylon Insert	4
13	603 00 30-77	Spring Retainer	2
14	603 00 30-78	Rear Leaf Spring	2
15	603 00 30-79	Spacer, Overload Bumper	2
16	603 00 30-80	U-Bolt	2
17	603 00 02-63	Bushing, Urethane	12
18	603 00 31-59	Bumper, Jounce	2
19	603 00 36-33	Bracket, Left-Hand	1
20	603 00 36-34	Bracket, Right	1
21	603 00 00-95	Locknut, 3/8-16 Hex	6
22	603 00 00-96	Screw, 3/8-16 X 3.375 Hex Cap	6

5
G

5

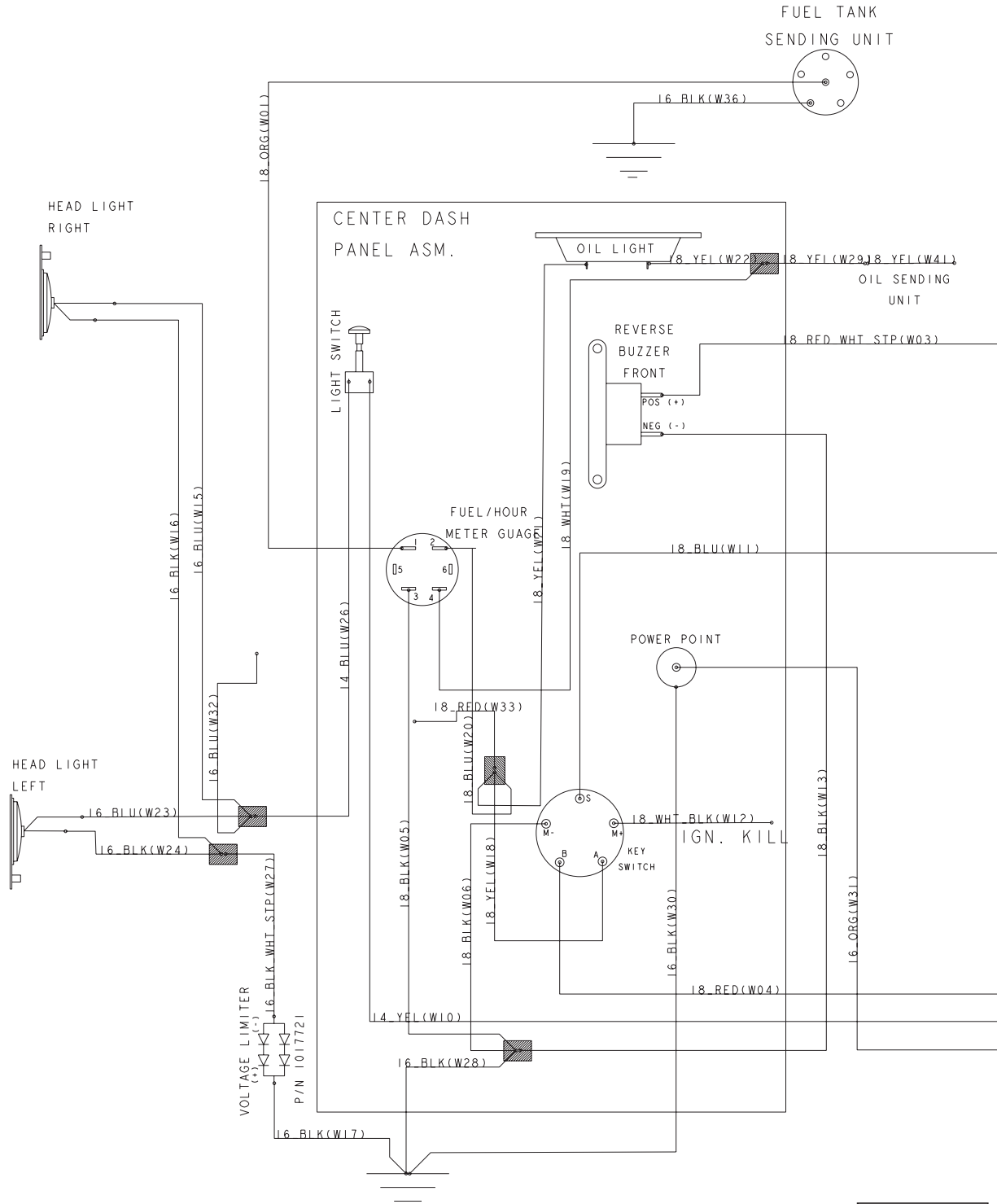
G

ELECTRICAL SYSTEM

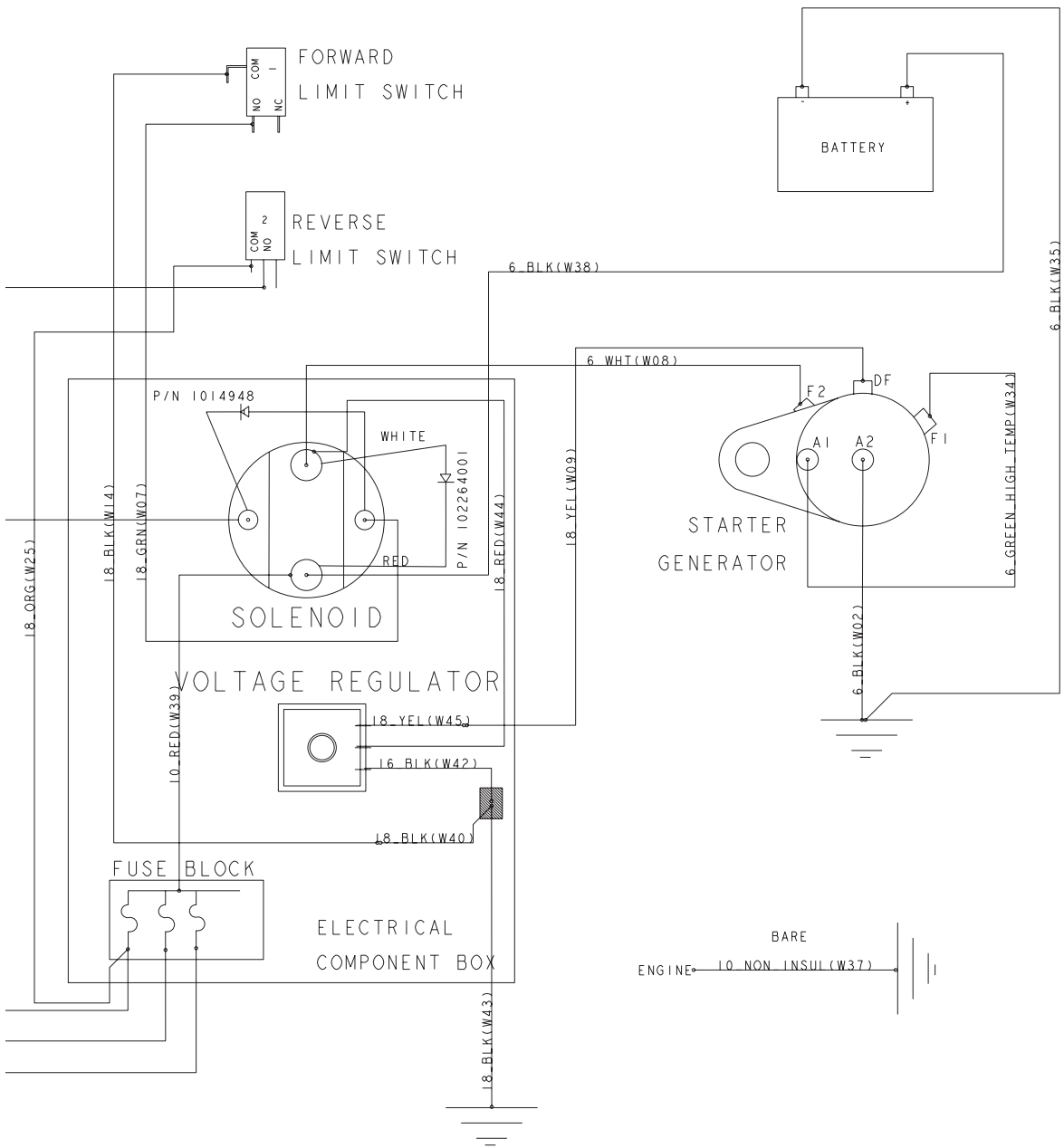
6

G

GASOLINE VEHICLE



000234-001



000234-001

6

G

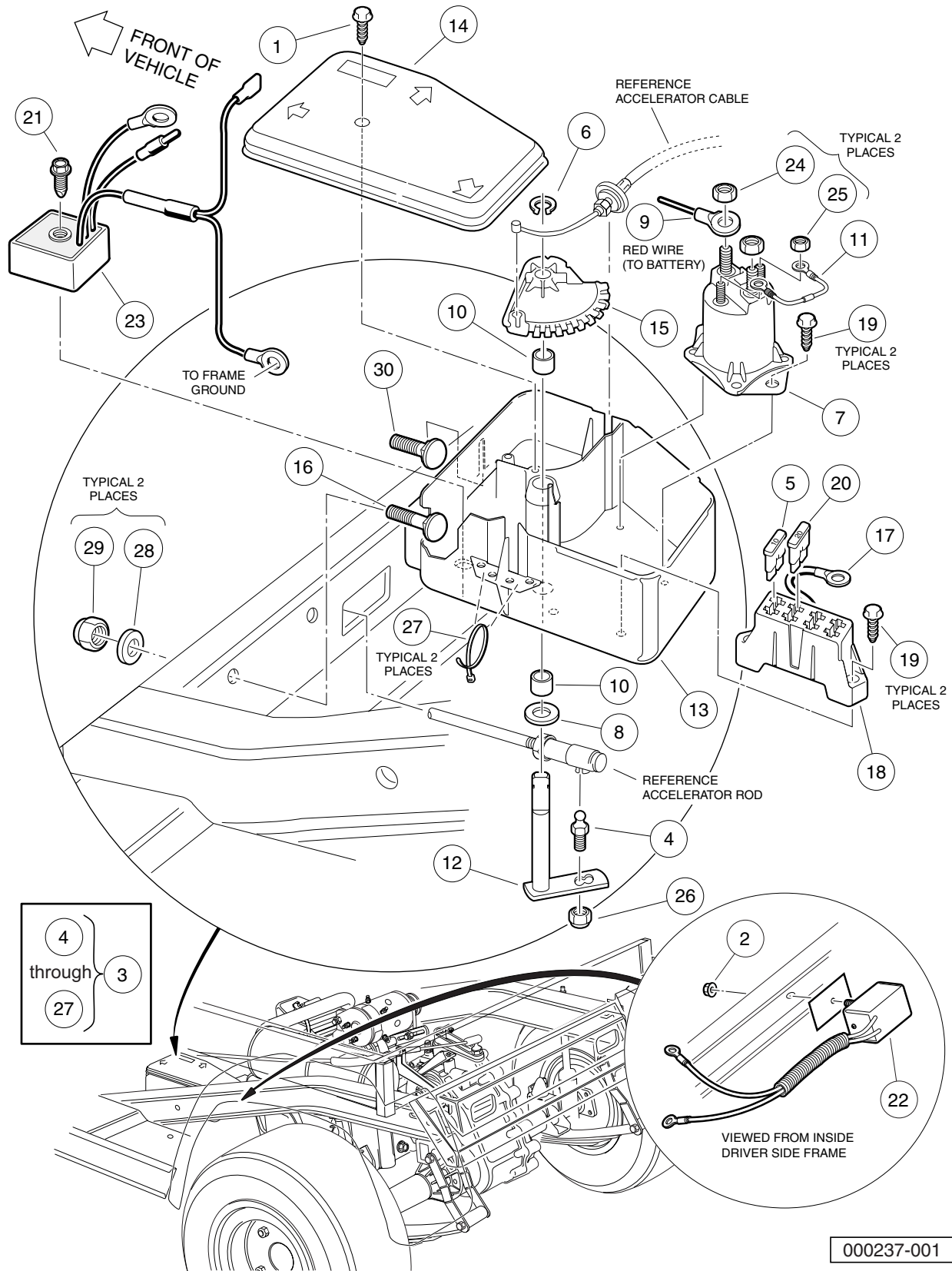
See previous two pages for illustration.

WIRING – GASOLINE VEHICLE

ITEM	PART NO.	DESCRIPTION	QTY
1	603 00 32-82	1 2 3 4 Wire Harness, Gasoline Vehicle	1

6

G



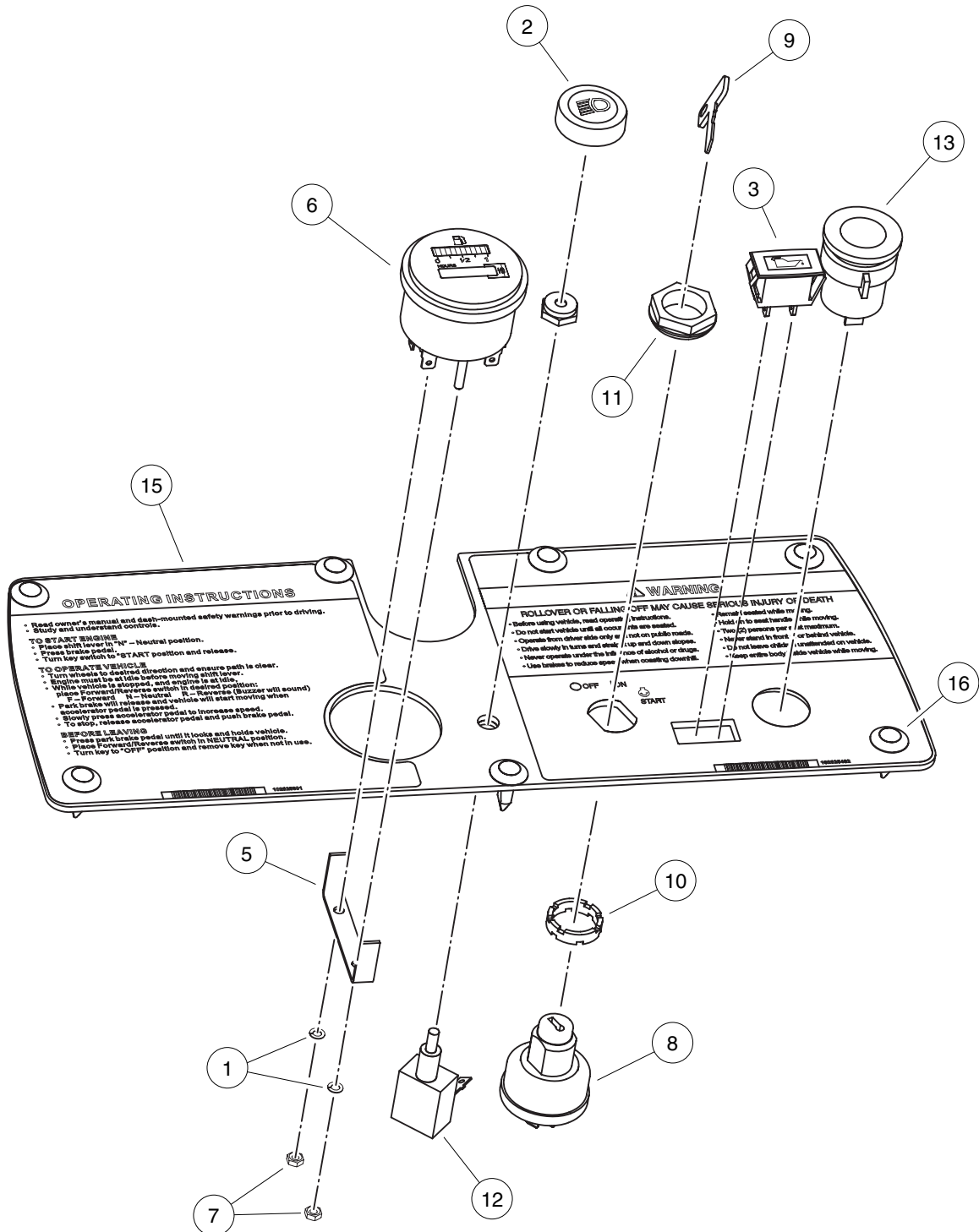
000237-001

ELECTRICAL COMPONENT BOX – GASOLINE VEHICLE

ITEM	PART NO.	DESCRIPTION	QTY
		1 2 3 4	
1	603 00 02-68	Screw, #12-16 X 0.625 Hi-Lo	1
2	603 00 06-16	Locknut, 5/16-18 Hex Flange	1
3	N/A	Assembly, Electrical Component Box (includes items 4 through 27)	1
4	603 00 01-17	Stud, 1/4-28 X 0.560 Ball	1
5	603 00 01-35	Fuse, 10-Amp	1
6	603 00 01-77	Ring, 0.338" Internal Retaining	1
7	603 00 01-80	Solenoid, 12-Volt	1
8	603 00 02-04	Washer, 0.38" ID Delrin Flat	1
9	603 00 02-11	Wire Assembly #6 Red	1
10	603 00 02-15	Bushing, Secondary Weight, Split	2
11	603 00 02-38	Diode	1
12	603 00 02-49	Bell Crank and Shaft Assembly	1
13	603 00 02-51	Box, Electrical Component	1
14	603 00 02-52	Cover, Electric Box	1
15	603 00 02-53	Cam, Electric Box	1
16	603 00 02-57	Bolt, Carriage, 5/16-18 X 2.0	1
17	603 00 02-66	Wire Assy, #10 Red	1
18	603 00 02-67	Fuse Block	1
19	603 00 02-68	Screw, #12-16 X 0.625 Hi-Lo	4
20	603 00 02-93	Fuse, 20-Amp	1
21	603 00 05-26	Screw, 1/4-15 X 1.50 Hi-lo Hex	1
22	603 00 08-26	Diode Assembly	1
23	603 00 22-87	Voltage Regulator	1
24	603 00 00-66	Nut, 5/16-18 Hex	2
25	603 00 00-84	Nut, #10-32 Hex	2
26	603 00 00-94	Locknut, 1/4-28 Nylon Insert	1
27	603 00 29-63	Tie Wrap, 8" Nylon	2
28	603 00 00-65	Washer, 5/16 Type A Flat	2
29	603 00 00-78	Locknut, 5/16-18 Nylon Insert	2
30	603 00 00-82	Bolt, Carriage, 5/16-18 X 1.5	1

6

G

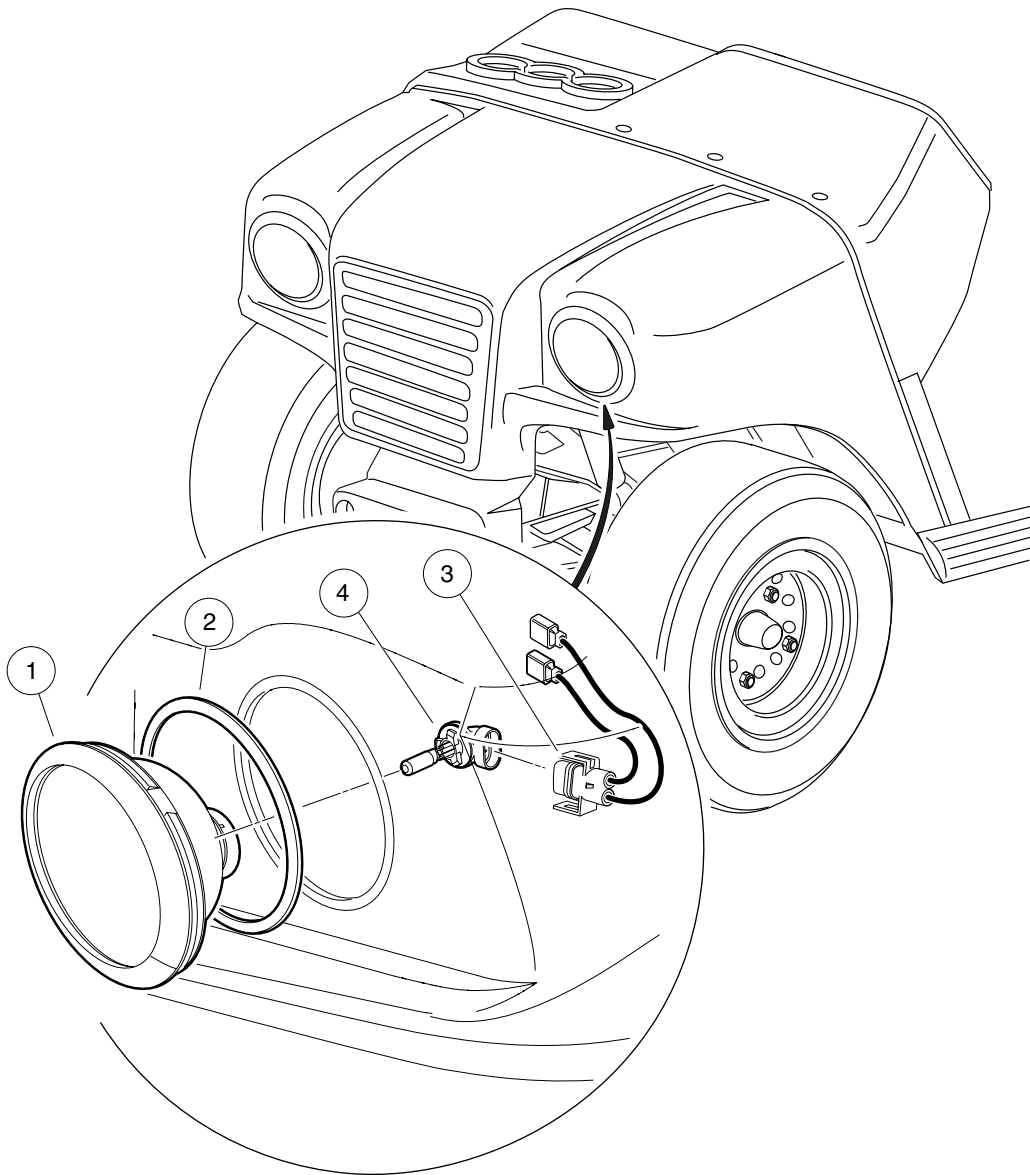


000232-001

ELECTRICAL COMPONENTS, FRONT BODY – GASOLINE VEHICLE

ITEM	PART NO.	DESCRIPTION	QTY
		1 2 3 4	
1	N/A	Lockwasher, M4	2
2	603 00 01-91	Knob, Light Switch	1
3	603 00 03-66	Light, Oil	1
4	603 00 26-19	Gauge, Fuel/Hour, with Bracket (includes items 5 and 6)	1
5	N/A	Bracket, Fuel Gauge/Hour Meter	1
6	N/A	Gauge, Fuel/Hour	1
7	603 00 06-33	Nut, M4-0.7	2
8	603 00 07-27	Key Switch 12v Key Start	1
9	603 00 07-28	Key Set	A/R
10	603 00 07-60	Spacer, Keyswitch	1
11	603 00 07-61	Nut, Key Switch	1
12	603 00 07-62	Switch, Light	1
13	603 00 08-01	Receptacle, Accessory	1
14	603 00 32-83	Panel, Instrument	1
15	603 00 32-84	Panel, Instrument (with 12-Volt Accessory Outlet Cutout)	1
16	603 00 06-95	Rivet, Removable, Tuflok 1/4"	7

6
G

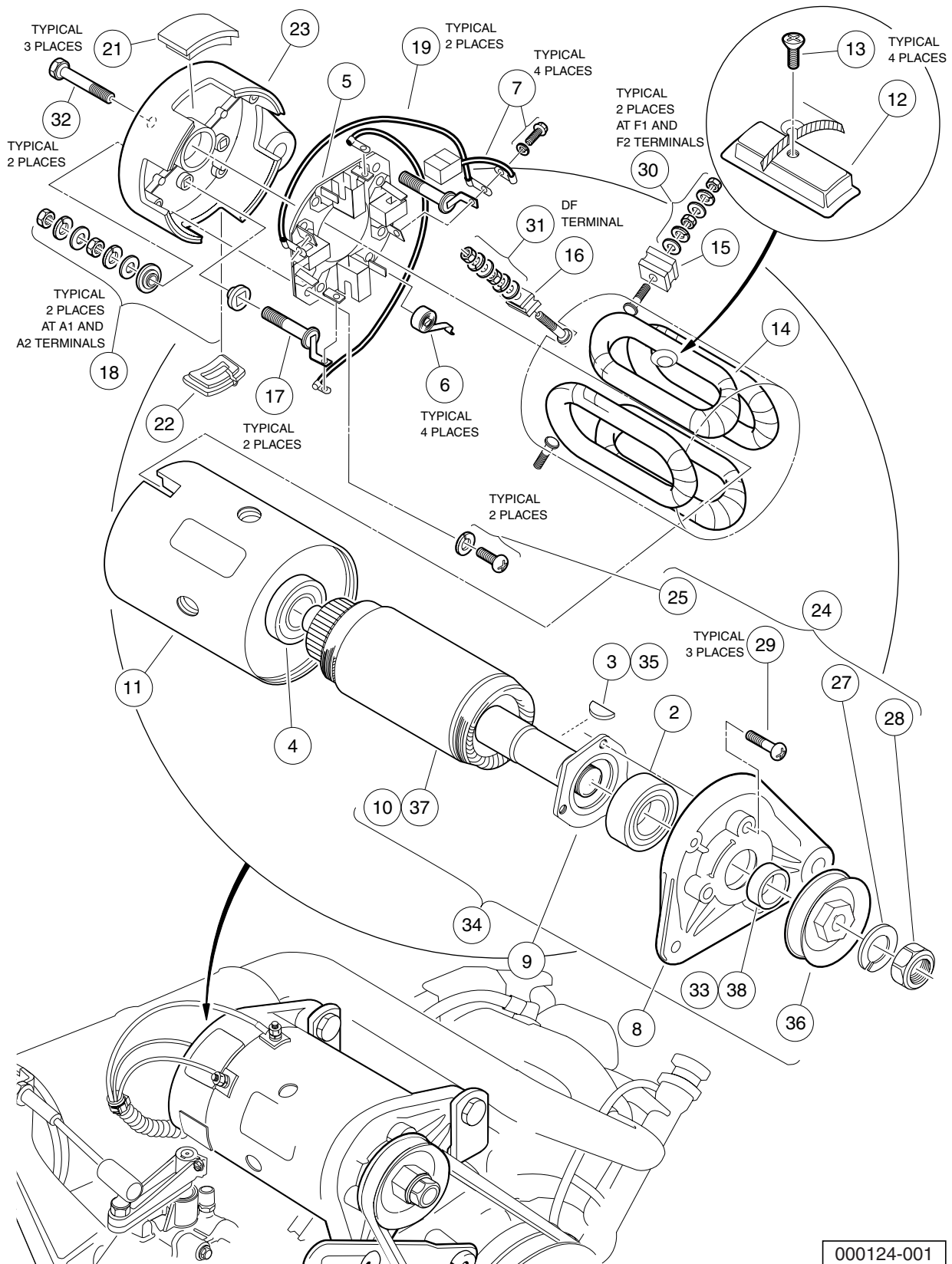


000230-001

HEADLIGHTS

ITEM	PART NO.	DESCRIPTION	QTY
		1 2 3 4	
1	603 00 16-77	Assembly, Headlight	2
2	603 00 17-98	Spacer, Headlight, Oval	2
3	603 00 17-99	Harness, Headlight	2
4	603 00 19-41	Bulb, Headlight, Oval	2

6
G



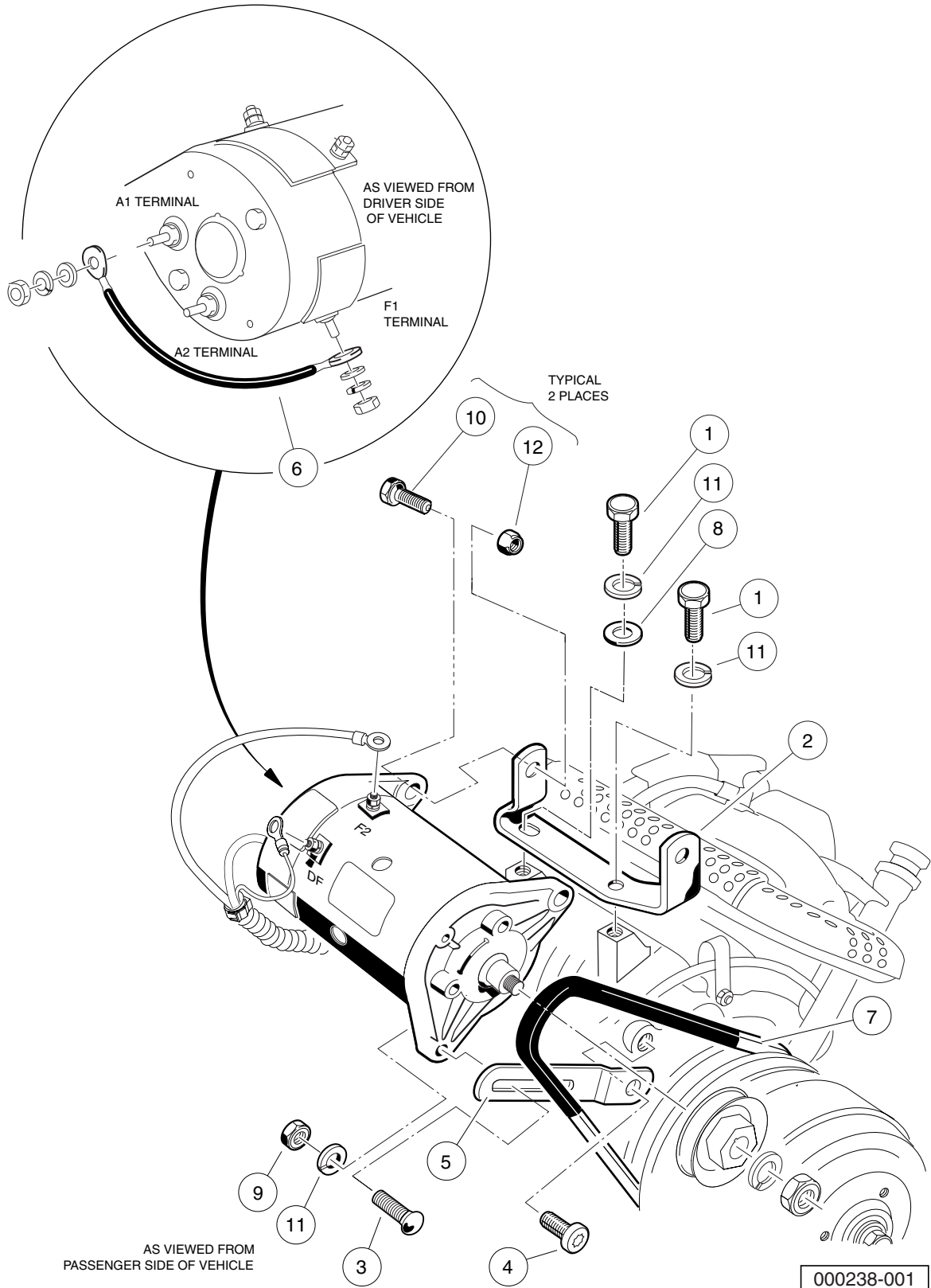
STARTER/GENERATOR ASSEMBLY MODEL G425419 – GASOLINE VEHICLES

ITEM	PART NO.	DESCRIPTION	QTY
		1 2 3 4	
1	603 00 05-16	Starter/Generator (cw) (includes items 2 through 33)	1
2	603 00 01-63	Bearing, Output Shaft Ball	1
3	603 00 01-64	Key, Starter/Generator	1
4	603 00 01-65	Bearing, Ball	1
5	603 00 04-56	Brush Holder Assembly (cw) (includes item 6)	1
6	603 00 05-47	Brush Spring Set	4
7	603 00 05-29	Brush and Screw Set (cw)	1
8	603 00 05-30	Front Bracket	1
9	603 00 05-31	Retainer	1
10	N/A	Armature	1
11	603 00 05-33	Field Coil Housing	1
12	603 00 05-34	Pole Set	1
13	603 00 05-35	Screw Set	1
14	603 00 05-36	Field Stator Coil Assembly	1
15	603 00 05-37	F Insulator Set	2
16	603 00 05-38	DF Insulator	1
17	603 00 05-39	A Connector (cw)	1
18	603 00 05-40	Screw and Mold Assembly	2
19	603 00 05-41	Brush Connector Assembly (cw)	2
20	603 00 05-42	Cover Set (includes items 21 and 22)	1
21	N/A	Brush Inspection Port Cover	3
22	N/A	Brush Port Cover w/Drain	1
23	603 00 05-43	Rear Bracket (cw)	1
24	603 00 05-44	Nut and Screw Set (includes items 25 through 29)	1
25	603 00 05-74	Brush Holder Asm Screw	2
26	N/A	Washer, M5 Flat	1
27	N/A	Washer, M14 Lock	1
28	N/A	Nut, Hex, M14 x 2	1
29	N/A	Screw, M5 x 0.8 x 18mm	3
30	603 00 05-45	Nut and Washer Set	2
31	603 00 05-46	Nut and Washer Set	1
32	603 00 05-48	Through Bolt Set	2
33	603 00 06-09	Spacer	1
34	603 00 05-32	Armature Asm Conversion Kit (includes items 35 through 38)	1
35	603 00 01-64	Key, Starter/Generator	1
36	603 00 02-21	Pulley, Starter/Generator	1
37	N/A	Armature	1
38	603 00 06-09	Spacer	1
Note: Item 36 will ONLY fit Model G425419 Starter/Generator.			

6

G

6
G

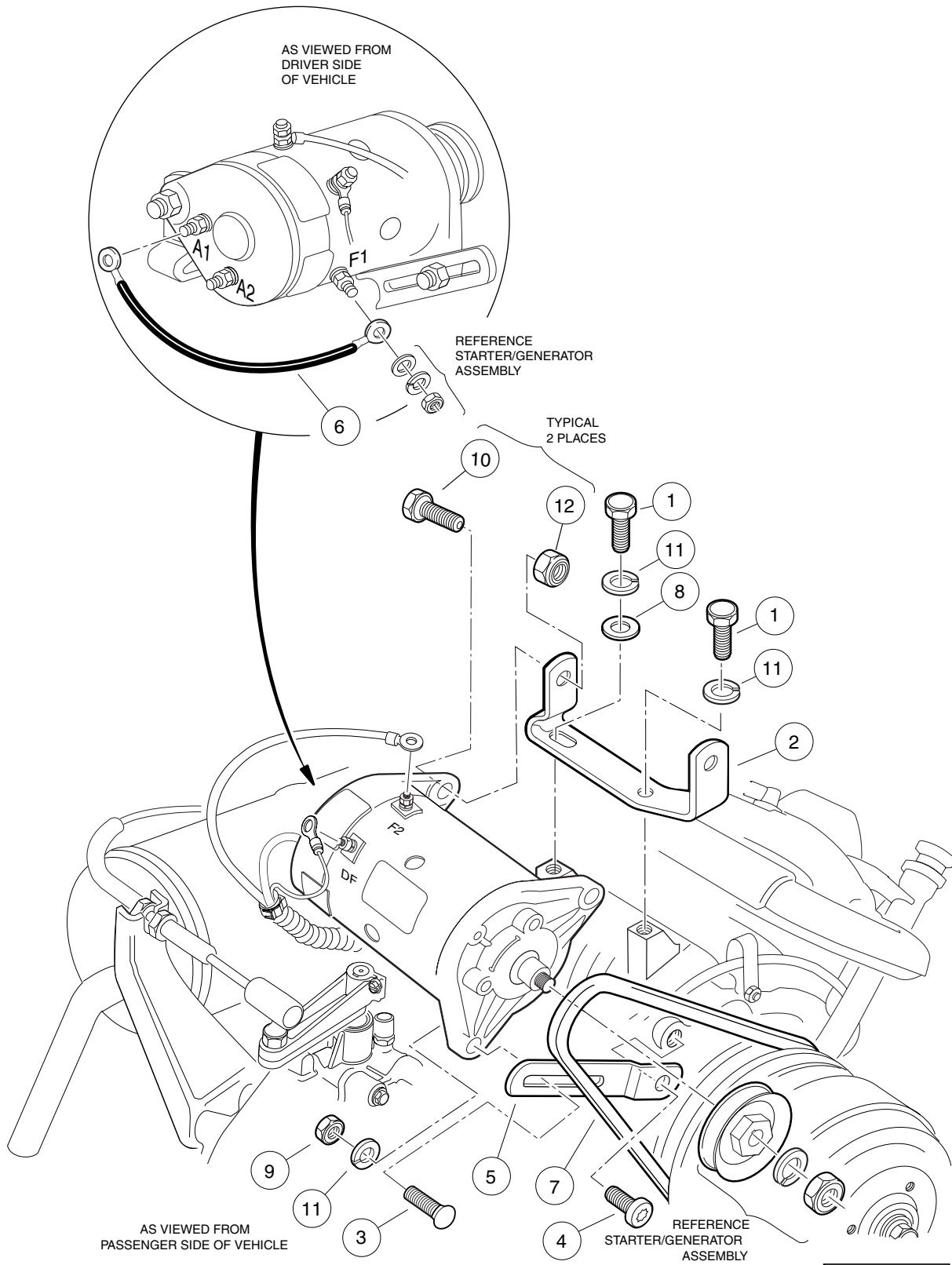


FE290 STARTER/GENERATOR MOUNTING – GASOLINE VEHICLE

ITEM	PART NO.	DESCRIPTION	QTY
		1 2 3 4	
1	603 00 05-79	Screw, M8-125 X 22 Hex-Head	2
2	603 00 30-82	Bracket, Starter/Generator Mounting (FE290)	1
3	603 00 02-73	Bolt, Carriage, 5/16-18	1
4	603 00 02-77	Screw, M8-1.25 X 18mm Torx	1
5	603 00 03-75	Bracket, Starter/Generator Adjustment	1
6	603 00 05-24	Wire Assy, #6 Green	1
7	603 00 05-89	V-Belt	1
8	603 00 00-65	Washer, 5/16 Type A Flat	1
9	603 00 00-66	Nut, 5/16-18 Hex	1
10	603 00 00-59	Screw, Cap-hex Hd 3/8-16x1.25	2
11	603 00 00-72	Lockwasher, 5/16 Split	3
12	603 00 00-95	Locknut, 3/8-16 Hex	2

6
G

6
G



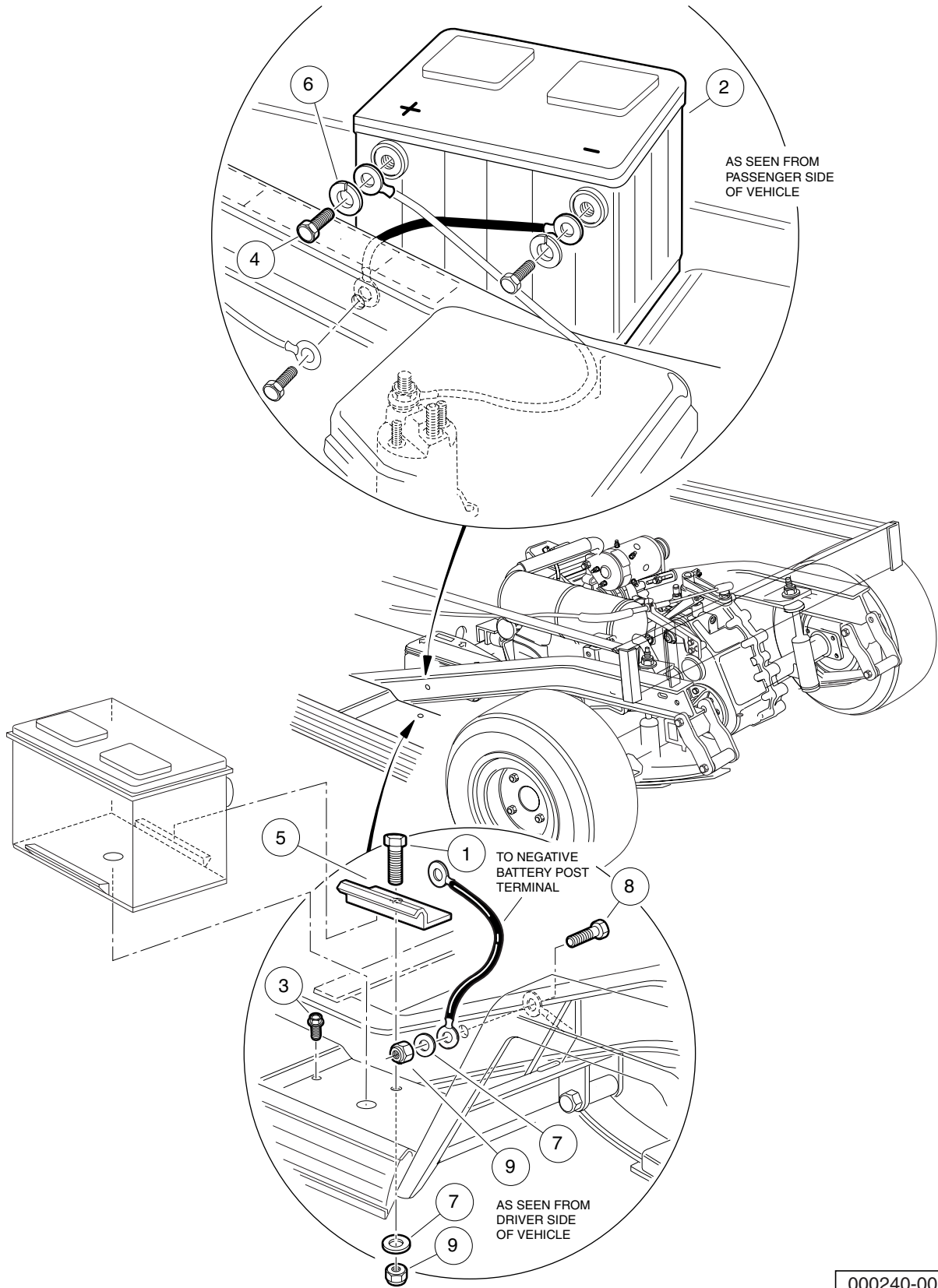
000239-001

FE350 STARTER/GENERATOR MOUNTING – GASOLINE VEHICLES

ITEM	PART NO.	DESCRIPTION	QTY
		1 2 3 4	
1	603 00 05-79	Screw, M8-125 X 22 Hex-Head	2
2	603 00 04-59	Bracket, Starter/Generator Mounting	1
3	603 00 02-73	Bolt, Carriage, 5/16-18	1
4	603 00 02-77	Screw, M8-1.25 X 18mm Torx	1
5	603 00 03-75	Bracket, Starter/Generator Adjustment	1
6	603 00 05-24	Wire Assy, #6 Green	1
7	603 00 05-89	V-Belt	1
8	603 00 00-65	Washer, 5/16 Type A Flat	1
9	603 00 00-66	Nut, 5/16-18 Hex	1
10	603 00 00-59	Screw, Cap-hex Hd 3/8-16x1.25	2
11	603 00 00-72	Lockwasher, 5/16 Split	3
12	603 00 00-95	Locknut, 3/8-16 Hex	2

6
G

6
G



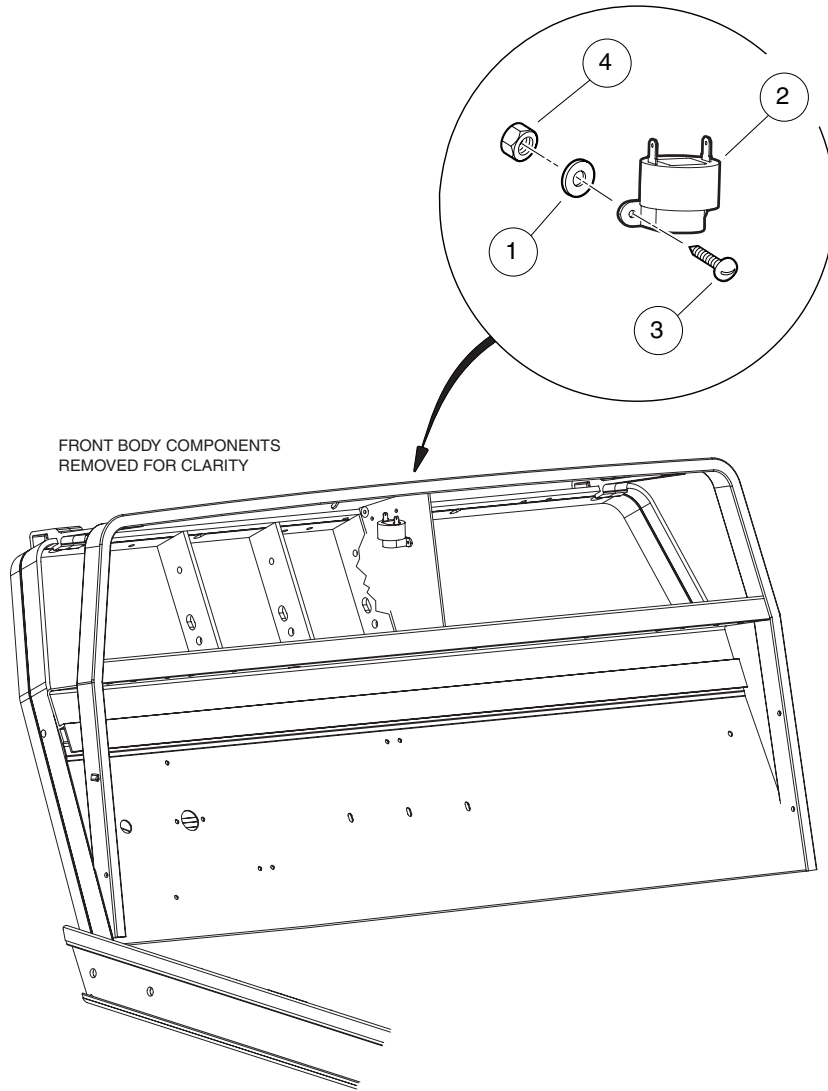
000240-001

BATTERY – GASOLINE VEHICLE

ITEM	PART NO.	DESCRIPTION	QTY
		1 2 3 4	
1	603 00 01-16	Screw, 5/16-18 X 1.00 Hex Cap	1
2	603 00 00-02	Battery, 12-Volt	1
3	603 00 02-20	Screw, 5/16-18 X 0.75 Thread-Forming	1
4	603 00 02-24	Screw, 3/8-16 X 0.50 Stainless Steel Hex-Head	2
5	603 00 05-76	Clamp, Battery	1
6	603 00 08-90	Lockwasher, 3/8 Stainless Stl	2
7	603 00 00-65	Washer, 5/16 Type A Flat	2
8	603 00 00-71	Screw, 5/16-18 X 0.75 Hex-Head Cap	1
9	603 00 00-78	Locknut, 5/16-18 Nylon Insert	2

6

G



000363-001

REVERSE BUZZER

ITEM	PART NO.	DESCRIPTION	QTY
		1 2 3 4	
1	603 00 01-40	Washer, #4 Flat	1
2	603 00 03-71	Buzzer, Reverse (9-48 VDC)	1
3	603 00 23-49	Screw, #4-40 X 0.75 Round-Head Machine	1
4	603 00 00-86	Nut, #4-40 Hex Machine	1

6

G

6

G