



SPARE PARTS LIST

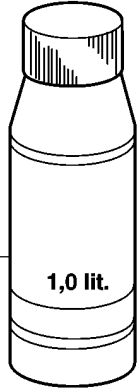
BRUSHCUTTERS/CLEARING SAWS

326 RJX, 2006-04

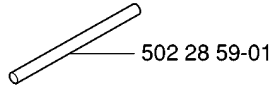
X Accessories
Zubehöre
Accessoires
Acessorios
Tillbehör

Olja Luftfilter
Oil Airfilter
Öl Luftfilter
Aceite Filtro Air
Huile Filtera aire

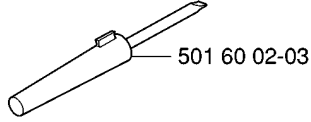
531 00 92-48



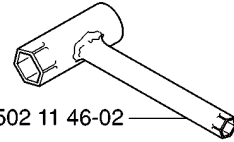
1,0 lit.



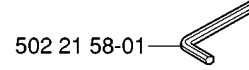
502 28 59-01



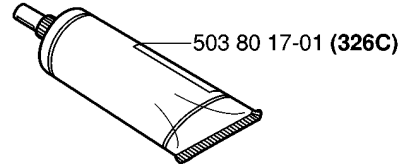
501 60 02-03



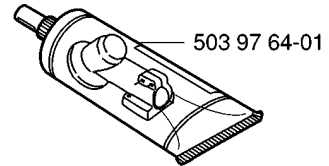
502 11 46-02



502 21 58-01

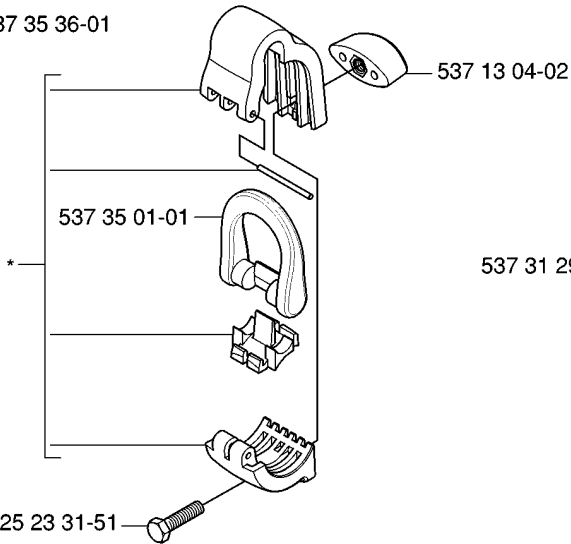


503 80 17-01 (326C)



503 97 64-01

compl 537 35 36-01

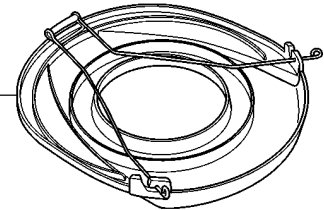


537 13 04-02

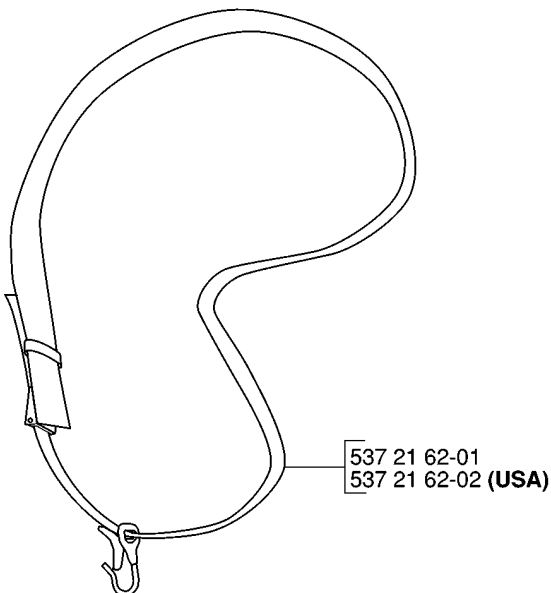
537 35 01-01

725 23 31-51

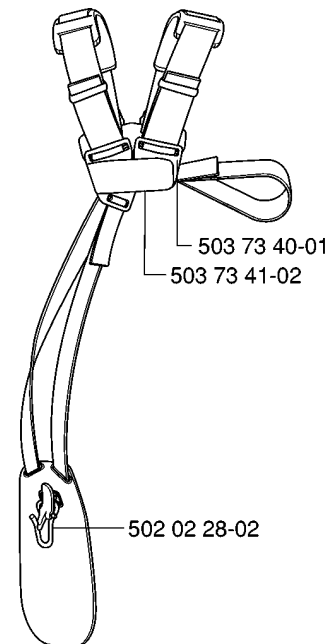
537 31 29-01 (200-275 mm)



compl 537 21 63-01
compl 537 21 63-02 (USA)



537 21 62-01
537 21 62-02 (USA)



503 73 40-01
503 73 41-02

502 02 28-02

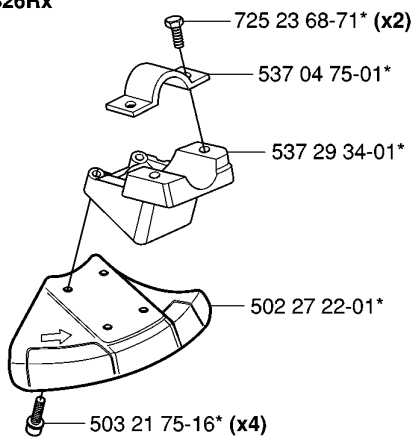
ACCESSORIES

326 RJX, 2006-04

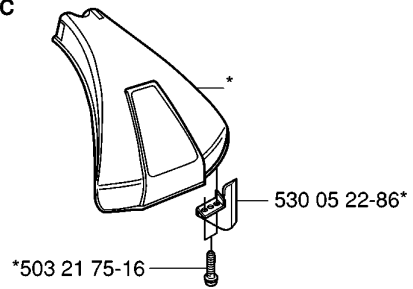
| Part No | Description | Remark | QTY KIT |
|--------------|-----------------|------------|---------|
| 501 60 02-03 | SCREWDRIVER | | 1 |
| 502 02 28-02 | WELT HOOK | | 1 |
| 502 11 46-02 | SOCKET WRENCH | | 1 |
| 502 21 58-01 | L-NYCKEL | | 1 |
| 502 28 59-01 | STOP | | 1 |
| 503 73 40-01 | FRONT PIECE | | 1 |
| 503 73 41-02 | FRONT PIECE | | 1 |
| 503 80 17-01 | GREASE | 326C | 1 |
| 503 97 64-01 | GREASE | | 1 |
| 531 00 92-48 | FILTER OIL | | 1 |
| 537 13 04-02 | KNOB | | 1 |
| 537 21 62-01 | HARNESS | | 1 |
| 537 21 62-02 | HARNESS | USA | 1 |
| 537 21 63-01 | HARNESS | | 1 |
| 537 21 63-02 | HARNESS | USA | 1 |
| 537 31 29-01 | TRANSPORT GUARD | 200-275 MM | 1 |
| 537 35 01-01 | LOOP | | 1 |
| 537 35 36-01 | LOOP | | 1 |
| 725 23 31-51 | SCREW | | 1 |

**U Accessories
Zubehöre
Accessoires
Accesorios
Tillbehör**

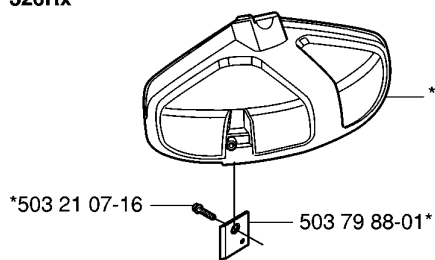
***compl 537 29 95-01
323R
326Rx**



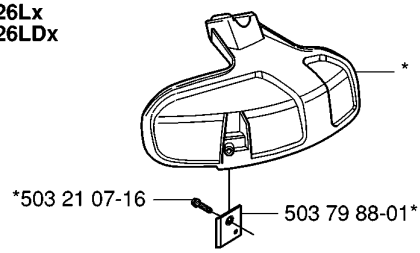
***compl 537 02 61-01
326C**



***compl 503 93 42-02
323R
326Rx**



***compl 503 97 71-01
323L
326L
326Lx
326LDx**

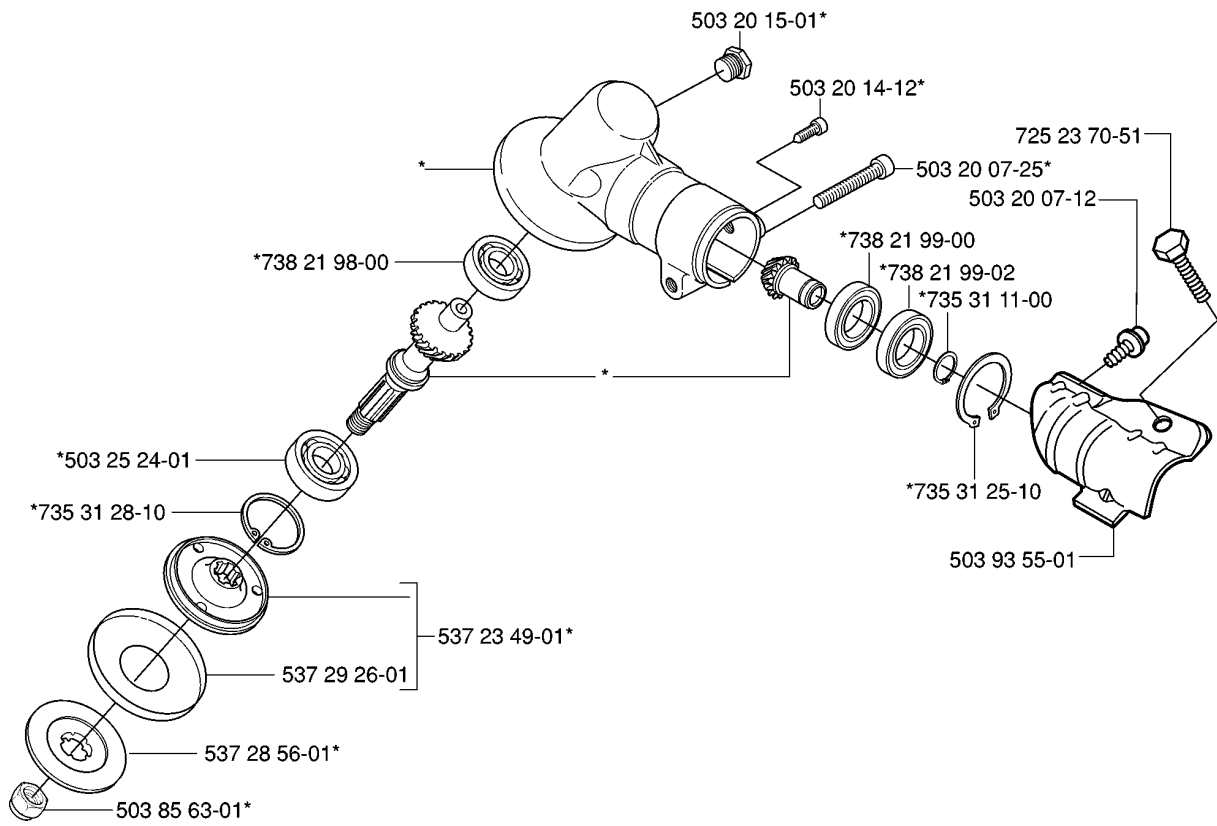


ACCESSORIES

326 RJX, 2006-04

| Part No | Description | Remark | QTY KIT |
|--------------|-----------------|------------------------|---------|
| 502 27 22-01 | SAW BLADE GUARD | | 1 |
| 503 21 07-16 | SCREW IHSCCT | | 1 |
| 503 21 07-16 | SCREW IHSCCT | | 1 |
| 503 21 75-16 | SCREW IHSCFT | | 4 |
| 503 21 75-16 | SCREW IHSCFT | | 1 |
| 503 79 88-01 | BLADE | | 1 |
| 503 79 88-01 | BLADE | | 1 |
| 503 93 42-02 | COMBI GUARD | 323R 326RX | 1 |
| 503 97 71-01 | TRIMMER GUARD | 323L 326L 326LX 326LDX | 1 |
| 530 05 22-86 | LINE LIMITER | | 1 |
| 537 02 61-01 | TRIMMER GUARD | 326C | 1 |
| 537 04 75-01 | CLAMP | | 1 |
| 537 29 34-01 | ADAPTER | | 1 |
| 537 29 95-01 | SAW BLADE GUARD | 323R 326RX | 1 |
| 725 23 68-71 | SCREW EHHM | | 2 |

A *compl 537 19 92-02



BEVEL GEAR

326 RJX, 2006-04

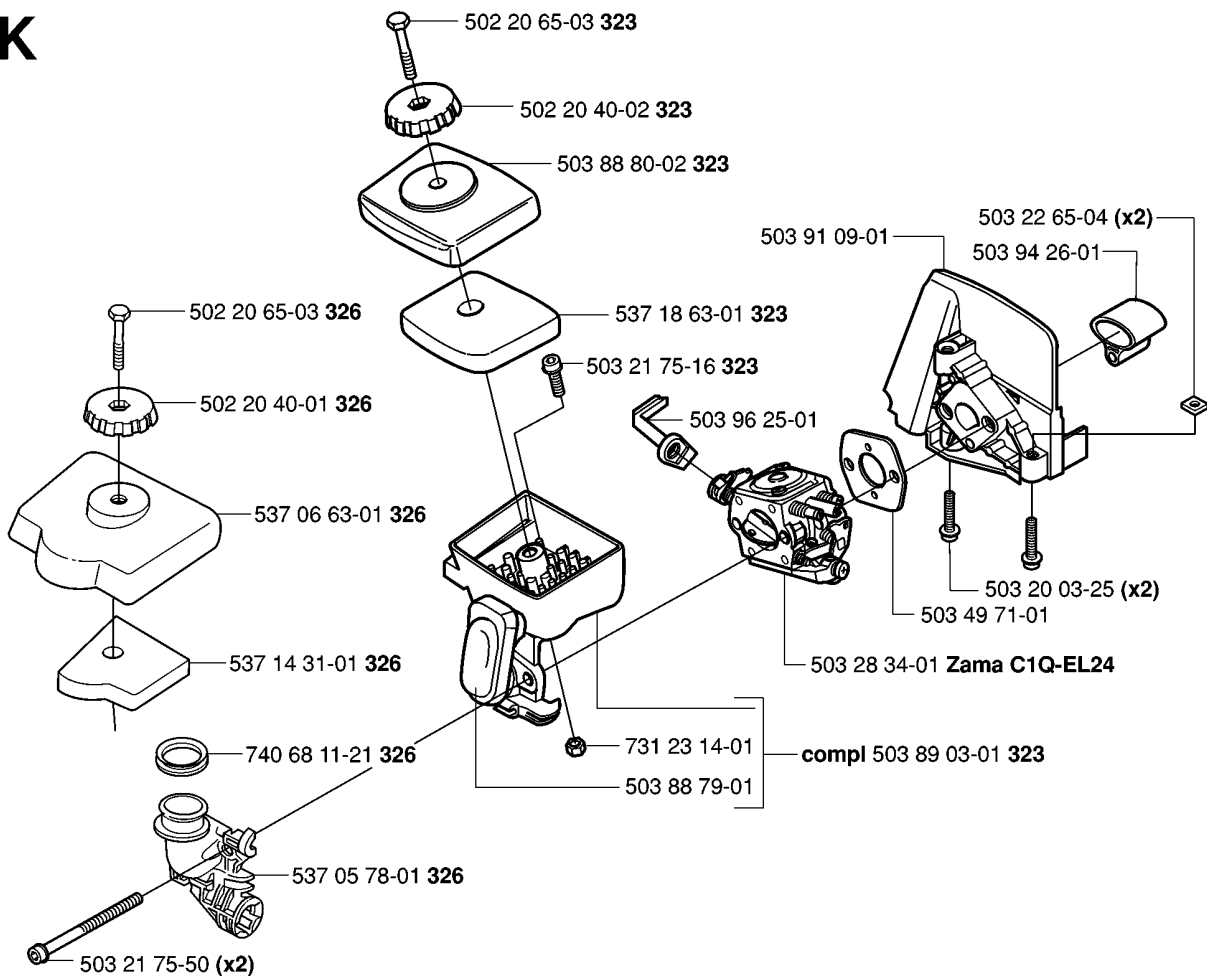
| Part No | Description | Remark | QTY KIT |
|--------------|-----------------|--------|---------|
| 503 20 07-12 | SCREW IHSCFM | | 1 |
| 503 20 07-25 | SCREW IHSCFM | | 1 |
| 503 20 14-12 | SCREW IHSCFMO | | 1 |
| 503 20 15-01 | SCREW IHHM | | 1 |
| 503 25 24-01 | BALL BEARING | | 1 |
| 503 85 63-01 | NUT | | 1 |
| 503 93 55-01 | CLAMP.GUARD | | 1 |
| 537 19 92-02 | BEVEL GEAR ASSY | | 1 |
| 537 23 49-01 | DRIVER ASSY | | 1 |
| 537 28 56-01 | SUPPORT FLANGE | | 1 |
| 537 29 26-01 | CUP | | 1 |
| 725 23 70-51 | SCREW | | 1 |
| 735 31 11-00 | CIRCLIP | | 1 |
| 735 31 25-10 | CIRCLIP | | 1 |
| 735 31 28-10 | CIRCLIP | | 1 |
| 738 21 98-00 | BALL BEARING | | 1 |
| 738 21 99-00 | BALL BEARING | | 1 |
| 738 21 99-02 | BALL BEARING | | 1 |

CARBURETOR

326 RJX, 2006-04

| Ref | Part No | Description | Remark | QTY | KIT |
|-----|--------------|----------------|----------------------------------|-----|-----|
| 1 | 576 01 98-01 | CARBURETTOR | Hualong HQ-2, only option for US | 1 | |
| 2 | 576 02 42-01 | SCREW | | 2 | 1 |
| 4 | 576 02 36-01 | COVER | | 1 | 1 |
| 5 | 576 02 24-01 | DIAPHRAGM ASSY | | 1 | 1 |
| 6 | 576 02 30-01 | SHAFT ASSY | | 1 | 1 |
| 7 | 576 02 41-01 | SCREW | | 1 | 1 |
| 8 | 576 02 32-01 | CHOKE | | 1 | 1 |
| 9 | 576 02 48-01 | E-CLIP | | 1 | 1 |
| 10 | 576 02 31-01 | LEVER | | 1 | 1 |
| 11 | 576 02 35-01 | BUSHING | | 1 | 1 |
| 12 | 576 02 33-01 | SPRING | | 1 | 1 |
| 14 | 576 02 01-01 | VALVE | | 1 | 1 |
| 15 | 576 02 37-01 | GASKET | | 1 | 1 |
| 16 | 576 02 03-01 | PIN | | 1 | 1 |
| 17 | 576 02 04-01 | LEVER | | 1 | 1 |
| 18 | 576 02 05-01 | SPRING | | 1 | 1 |
| 19 | 576 02 06-01 | PLUG | | 1 | 1 |
| 20 | 576 02 28-01 | LEVER | | 1 | 1 |
| 21 | 576 02 29-01 | BUSHING | | 1 | 1 |
| 22 | 576 02 07-01 | MAIN NOZZLE | | 1 | 1 |
| 23 | 576 02 08-01 | CHECK VALVE | | 1 | 1 |
| 24 | 576 02 43-01 | SCREW | | 1 | 1 |
| 25 | 576 02 34-01 | SPRING | | 1 | 1 |
| 26 | 576 02 47-01 | BALL | | 1 | 1 |
| 27 | 576 02 23-01 | BAR | | 1 | 1 |
| 28 | 576 02 10-01 | NEEDLE | | 1 | 1 |
| 29 | 576 02 11-01 | NEEDLE | | 1 | 1 |
| 30 | 576 02 15-01 | SCREEN | | 1 | 1 |
| 31 | 576 02 27-01 | SPRING | | 1 | 1 |
| 32 | 576 02 40-01 | SCREW | | 1 | 1 |
| 33 | 576 02 26-01 | THROTTLE | | 1 | 1 |
| 34 | 576 02 39-01 | DIAPHRAGM PUMP | | 1 | 1 |
| 35 | 576 02 25-01 | SHAFT ASSY | | 1 | 1 |
| 36 | 576 02 38-01 | GASKET | | 1 | 1 |
| 37 | 576 02 20-01 | COVER | | 1 | 1 |
| 38 | 576 02 22-01 | SCREW | | 1 | 1 |
| 39 | 576 02 44-01 | SCREW | | 1 | 1 |
| 40 | 581 74 35-01 | GASKET KIT | | 1 | 1 |
| 41 | 581 74 37-01 | REPAIR KIT | | 1 | 1 |

K



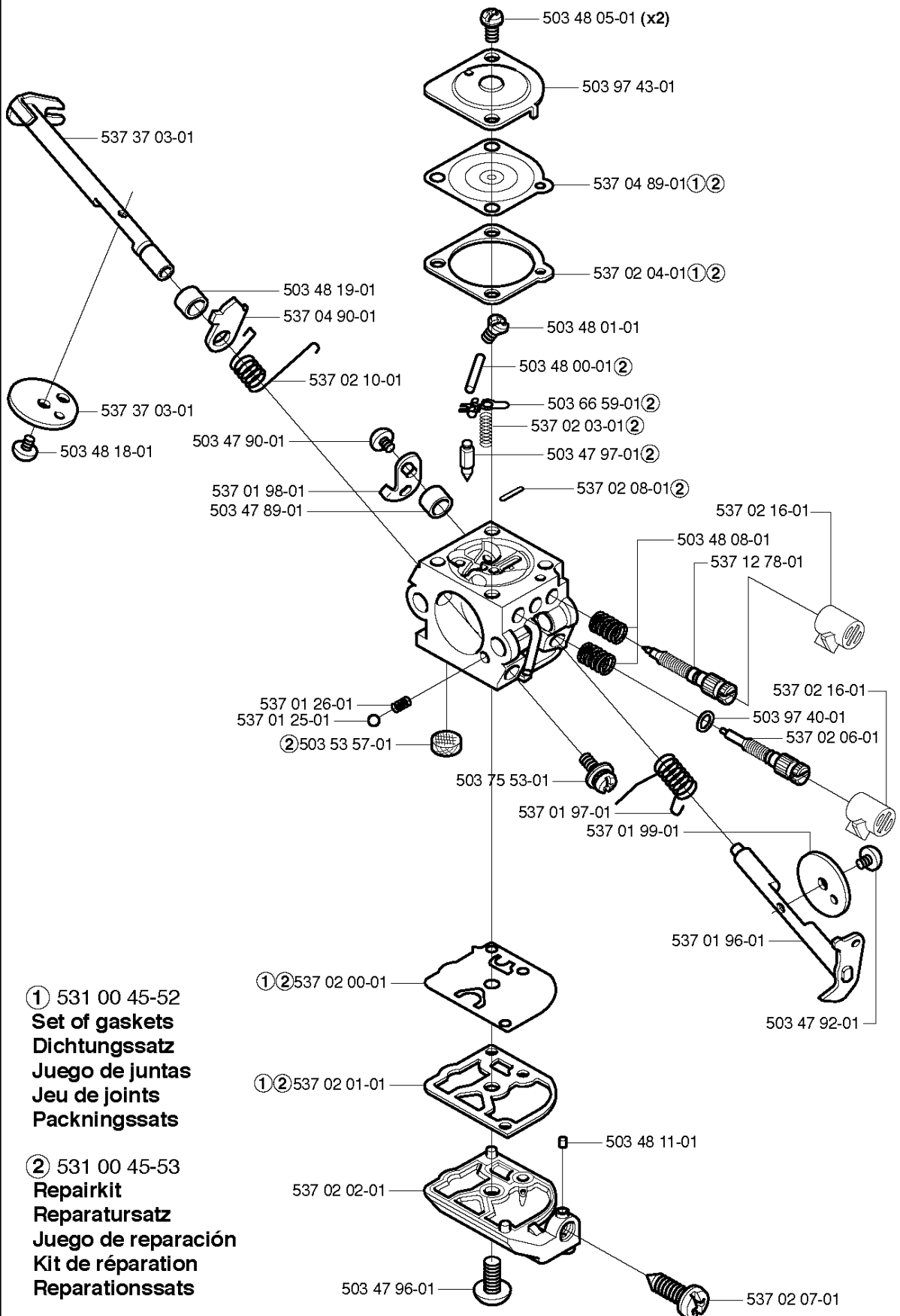
CARBURETOR & AIR FILTER

326 RJX, 2006-04

| Part No | Description | Remark | QTY KIT |
|--------------|------------------|-------------------------------------|---------|
| 502 20 40-01 | KNOB | 326 | 1 |
| 502 20 40-02 | KNOB | 323 | 1 |
| 502 20 65-03 | SCREW EHHM | 326 | 1 |
| 502 20 65-03 | SCREW EHHM | 323 | 1 |
| 503 20 03-25 | SCREW IHSCFM | | 2 |
| 503 21 75-16 | SCREW IHSCFT | 323 | 1 |
| 503 21 75-50 | SCREW IHSCFT | | 2 |
| 503 22 65-04 | SQUARE NUT | | 2 |
| 503 28 34-01 | CARBURETTOR | ZAMA C1Q-EL24 | 1 |
| 503 49 71-01 | GASKET | | 1 |
| 503 88 79-01 | HUB CAP | | 1 |
| 503 88 80-02 | FILTER COVER | 323 | 1 |
| 503 89 03-01 | FILTERBLOCK ASSY | 323 | 1 |
| 503 91 09-01 | INSULATION WALL | | 1 |
| 503 94 26-01 | INLET PIPE | | 1 |
| 503 96 25-01 | CHOKE CONTROL | | 1 |
| 537 05 78-01 | BRACKET | 326 | 1 |
| 537 06 63-01 | FILTER COVER | 326 | 1 |
| 537 14 31-01 | AIR FILTER ASSY | 326 | 1 |
| 537 18 63-01 | AIR FILTER | 323 | 1 |
| 576 01 98-01 | CARBURETTOR | Hualong HQ-2, only option for US | 1 |
| 731 23 14-01 | HEXAGON NUT | | 1 |
| 740 68 11-21 | V-RING | 326 | 1 |

V compl 503 28 34-01 Zama C1Q-EL24
(Not for US)

Zama C1Q-EL24

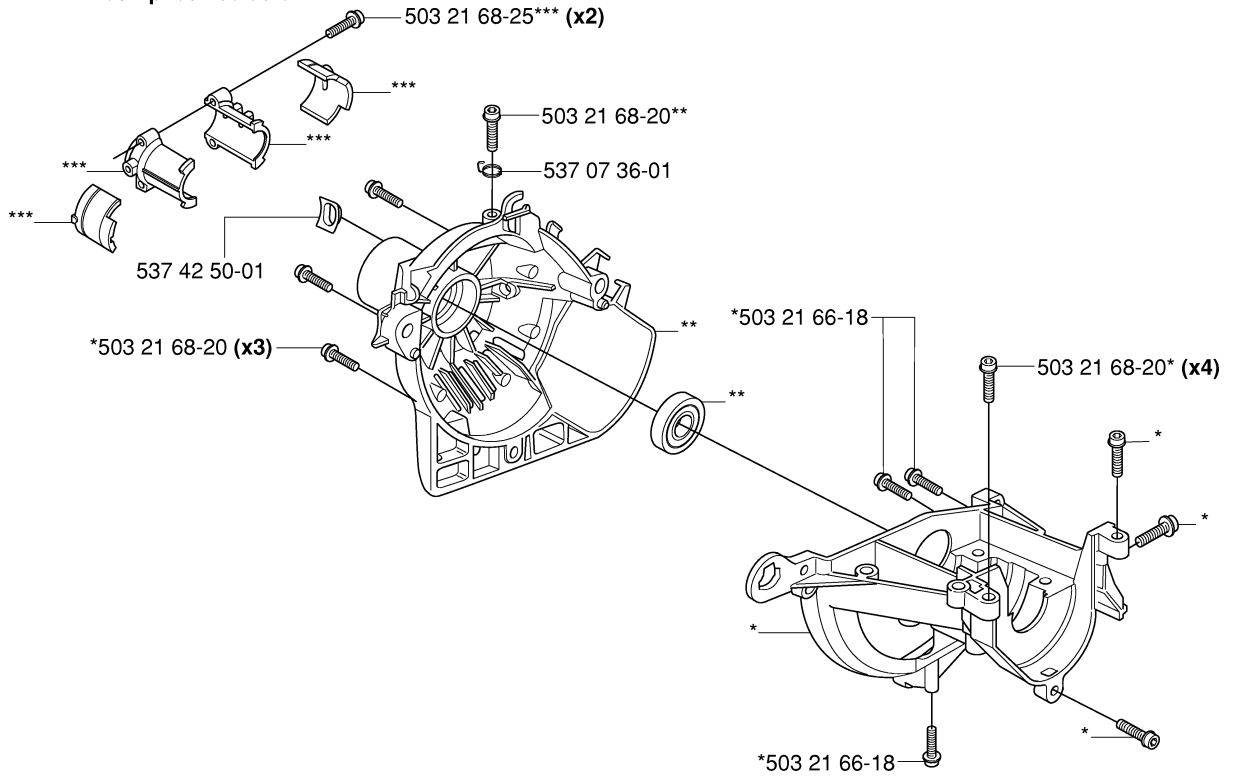


| Part No | Description | Remark | QTY KIT |
|--------------|---------------------|--|---------|
| 503 28 34-01 | CARBURETTOR | ZAMA C1Q-EL24 | 1 |
| 503 47 89-01 | COLLAR | | 1 |
| 503 47 90-01 | SCREW | | 1 |
| 503 47 92-01 | SCREW | | 1 |
| 503 47 96-01 | SCREW | | 1 |
| 503 47 97-01 | VALVE | 531 00 45-53 REPAIRKIT | 1 |
| 503 48 00-01 | PIN RETAINING SCREW | 531 00 45-53 REPAIRKIT | 1 |
| 503 48 01-01 | SCREW | | 1 |
| 503 48 05-01 | SCREW | | 2 |
| 503 48 08-01 | SPRING | | 1 |
| 503 48 11-01 | PIECE | | 1 |
| 503 48 18-01 | SCREW | | 1 |
| 503 48 19-01 | COLLAR | | 1 |
| 503 53 57-01 | STRAINER | 531 00 45-53 REPAIRKIT | 1 |
| 503 66 59-01 | LEVER | 531 00 45-53 REPAIRKIT | 1 |
| 503 75 53-01 | SCREW | | 1 |
| 503 97 40-01 | WASHER | | 1 |
| 503 97 43-01 | COVER | | 1 |
| 531 00 45-52 | GASKET KIT | | 1 |
| 531 00 45-53 | SET | | 1 |
| 537 01 25-01 | BALL | | 1 |
| 537 01 26-01 | SPRING | | 1 |
| 537 01 96-01 | SHAFT ASSY | | 1 |
| 537 01 97-01 | SPRING | | 1 |
| 537 01 98-01 | LEVER | | 1 |
| 537 01 99-01 | VALVE | | 1 |
| 537 02 00-01 | DIAPHRAGM PUMP | 531 00 45-52 SET OF GASKETS 531 00 45-53 REPAIRKIT | 1 |
| 537 02 01-01 | GASKET | 531 00 45-52 SET OF GASKETS 531 00 45-53 REPAIRKIT | 1 |
| 537 02 02-01 | COVER | | 1 |
| 537 02 03-01 | SPRING | 531 00 45-53 REPAIRKIT | 1 |
| 537 02 04-01 | GASKET | 531 00 45-52 SET OF GASKETS 531 00 45-53 REPAIRKIT | 1 |
| 537 02 06-01 | SCREW | | 1 |
| 537 02 07-01 | SCREW | | 1 |
| 537 02 08-01 | PLUG | 531 00 45-53 REPAIRKIT | 1 |
| 537 02 10-01 | SPRING | | 1 |
| 537 02 16-01 | LIMITER CAP | | 1 |
| 537 02 16-01 | LIMITER CAP | | 1 |
| 537 04 89-01 | DIAPHRAGM | 531 00 45-52 SET OF GASKETS 531 00 45-53 REPAIRKIT | 1 |
| 537 04 90-01 | LEVER | | 1 |
| 537 12 78-01 | SCREW | | 1 |
| 537 37 03-01 | VALVE | | 1 |
| 537 37 03-01 | VALVE | | 1 |

S

323

*compl 537 04 11-02
**compl 537 04 12-03
***compl 537 30 96-01



CRANKCASE

326 RJX, 2006-04

| Part No | Description | Remark | QTY KIT |
|--------------|--------------------|--------|---------|
| 503 21 66-18 | SCREW IHSCCT | | 1 |
| 503 21 66-18 | SCREW IHSCCT | | 1 |
| 503 21 68-20 | SCREW IHSCFT | | 3 |
| 503 21 68-20 | SCREW IHSCFT | | 1 |
| 503 21 68-20 | SCREW IHSCFT | | 4 |
| 503 21 68-25 | SCREW IHSCFT | | 2 |
| 537 04 11-02 | CRANKCASE | 323 | 1 |
| 537 04 12-03 | CLUTCH COVER | | 1 |
| 537 07 36-01 | SPRING | | 1 |
| 537 30 96-01 | COMPRESSION SLEEVE | | 1 |
| 537 42 50-01 | PROTECTIVE PLATE | | 1 |

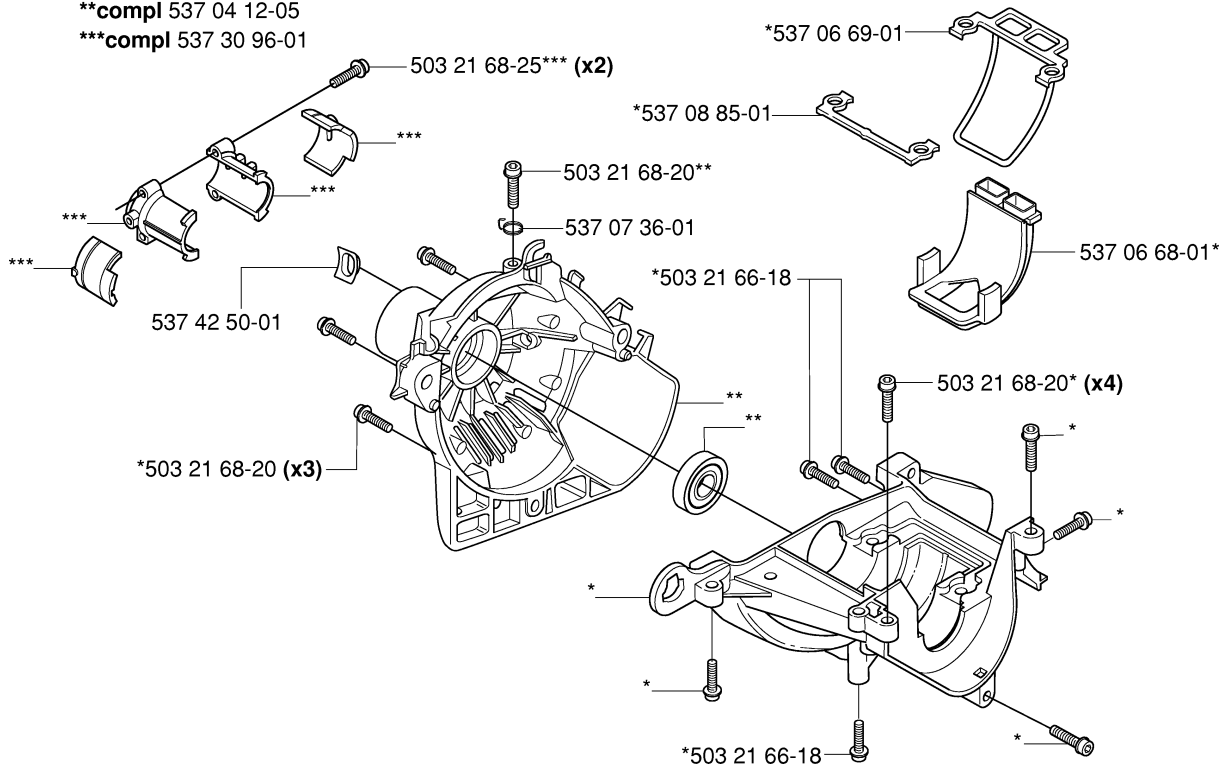
Q

326

*compl 537 08 52-01

**compl 537 04 12-05

***compl 537 30 96-01

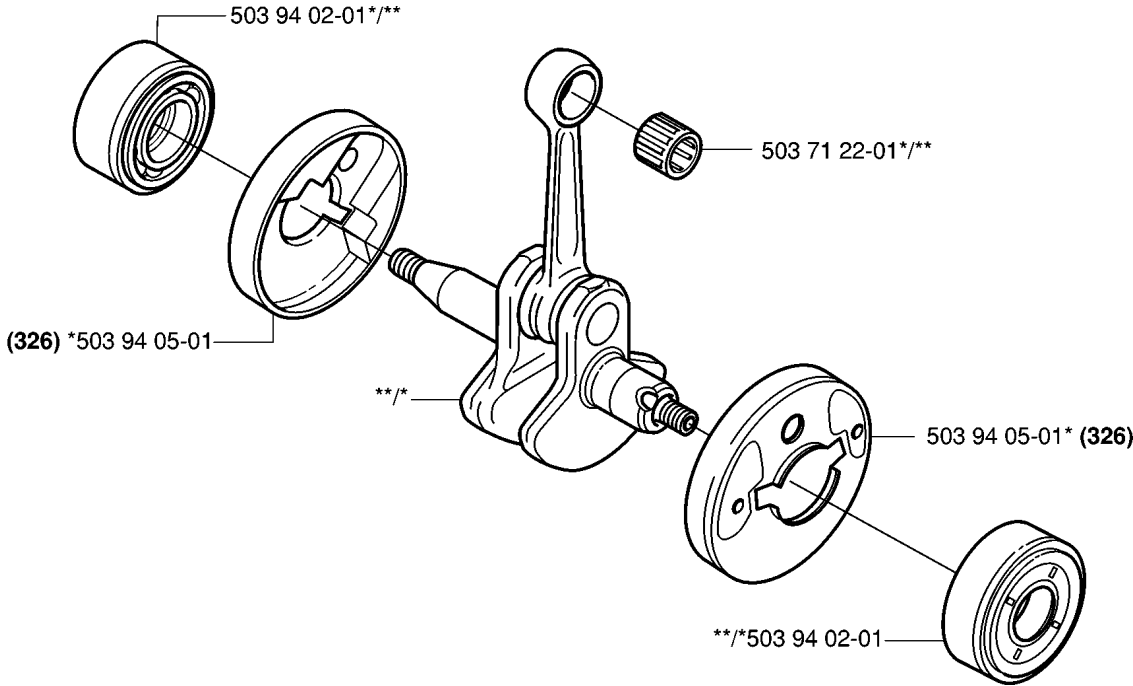


CRANKCASE

326 RJX, 2006-04

| Part No | Description | Remark | QTY KIT |
|--------------|--------------------|--------|---------|
| 503 21 66-18 | SCREW IHSCCT | | 1 |
| 503 21 66-18 | SCREW IHSCCT | | 1 |
| 503 21 68-20 | SCREW IHSCFT | | 3 |
| 503 21 68-20 | SCREW IHSCFT | | 1 |
| 503 21 68-20 | SCREW IHSCFT | | 4 |
| 503 21 68-25 | SCREW IHSCFT | | 2 |
| 537 04 12-05 | CLUTCH COVER | | 1 |
| 537 06 68-01 | INSERT CRANKCASE | | 1 |
| 537 06 69-01 | GASKET CRANKCASE | | 1 |
| 537 07 36-01 | SPRING | | 1 |
| 537 08 52-01 | CRANKCASE | 326 | 1 |
| 537 08 85-01 | GASKET | | 1 |
| 537 30 96-01 | COMPRESSION SLEEVE | | 1 |
| 537 42 50-01 | PROTECTIVE PLATE | | 1 |

T *compl 503 85 24-74 (326)
**compl 503 85 24-75 (323)

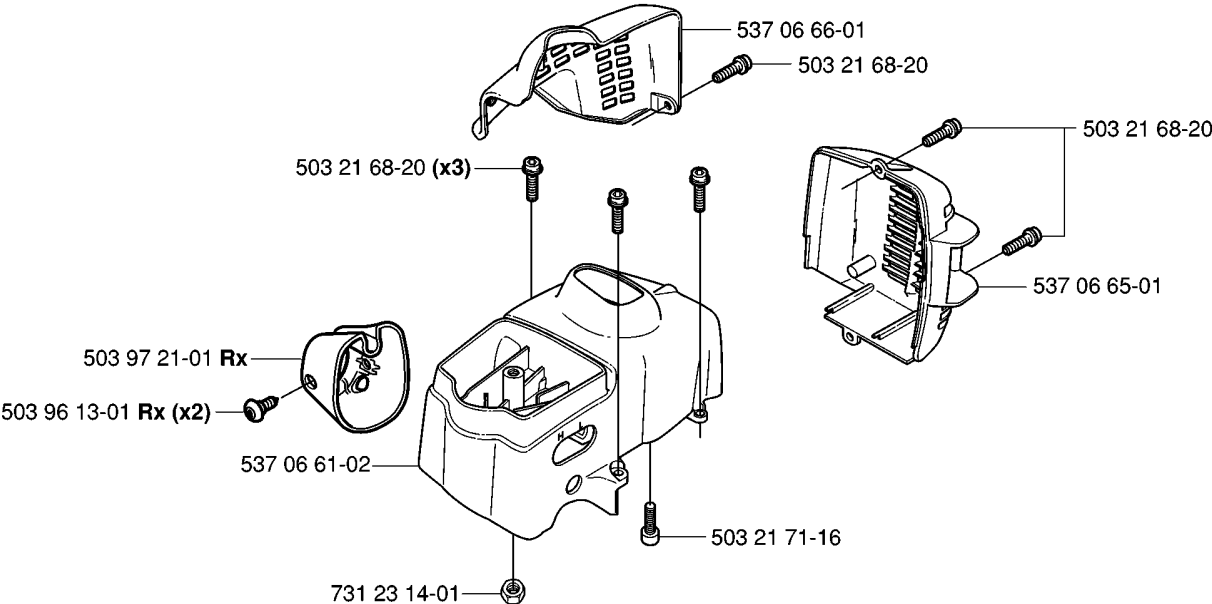


CRANKSHAFT

326 RJX, 2006-04

| Part No | Description | Remark | QTY KIT |
|--------------|-----------------|--------|---------|
| 503 71 22-01 | BEARING | | 1 |
| 503 85 24-74 | CRANKSHAFT ASSY | 326 | 1 |
| 503 85 24-75 | CRANKSHAFT ASSY | 323 | 1 |
| 503 94 02-01 | BEARING CAGE | | 1 |
| 503 94 02-01 | BEARING CAGE | | 1 |
| 503 94 05-01 | CUP | 326 | 1 |
| 503 94 05-01 | CUP | 326 | 1 |

J 326C, L, Lx, LDx, RX, RJx

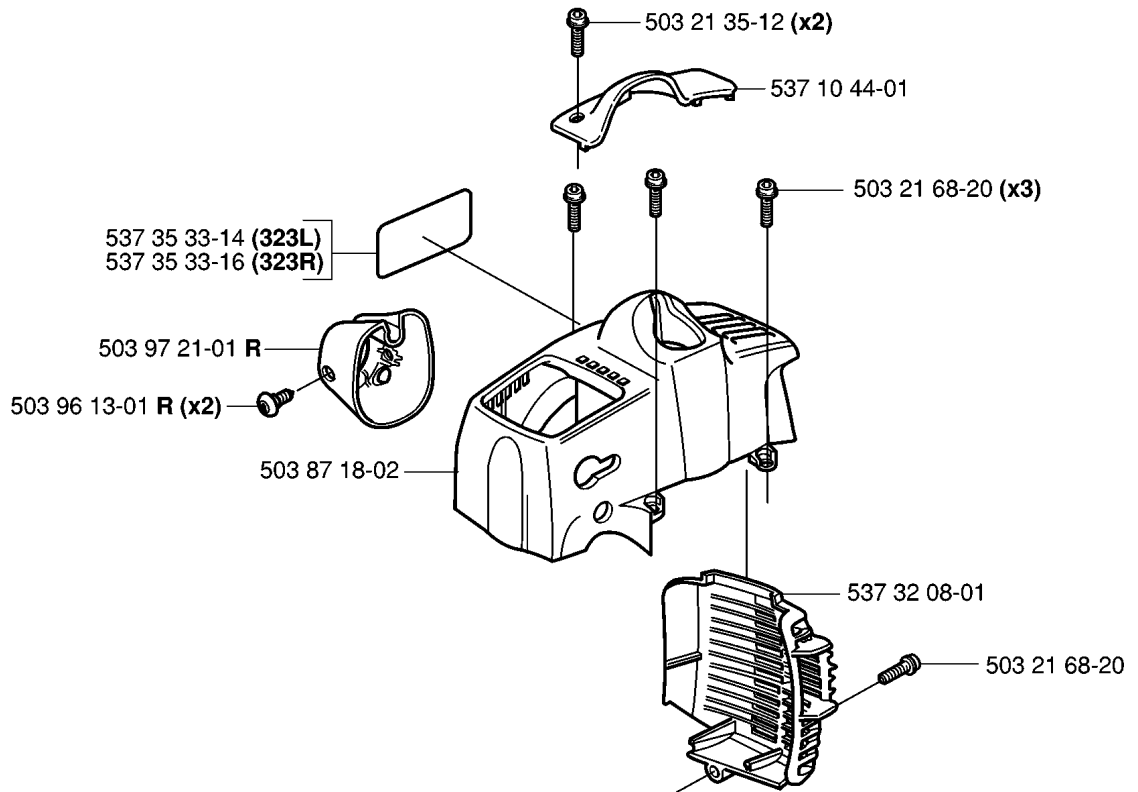


CYLINDER COVER

326 RJX, 2006-04

| Part No | Description | Remark | QTY KIT |
|--------------|----------------|-----------------------------|---------|
| 503 21 68-20 | SCREW IHSCFT | 326C, L, LX, LDX, RX, RJX 3 | |
| 503 21 68-20 | SCREW IHSCFT | | 1 |
| 503 21 68-20 | SCREW IHSCFT | | 1 |
| 503 21 71-16 | SCREW IHSCFT | | 1 |
| 503 96 13-01 | SCREW | RX | 2 |
| 503 97 21-01 | COVER | RX | 1 |
| 537 06 61-02 | CYLINDER COVER | | 1 |
| 537 06 65-01 | HEAT PROTECTOR | | 1 |
| 537 06 66-01 | ARM PROTECTION | | 1 |
| 731 23 14-01 | HEXAGON NUT | | 1 |

H 323L, R

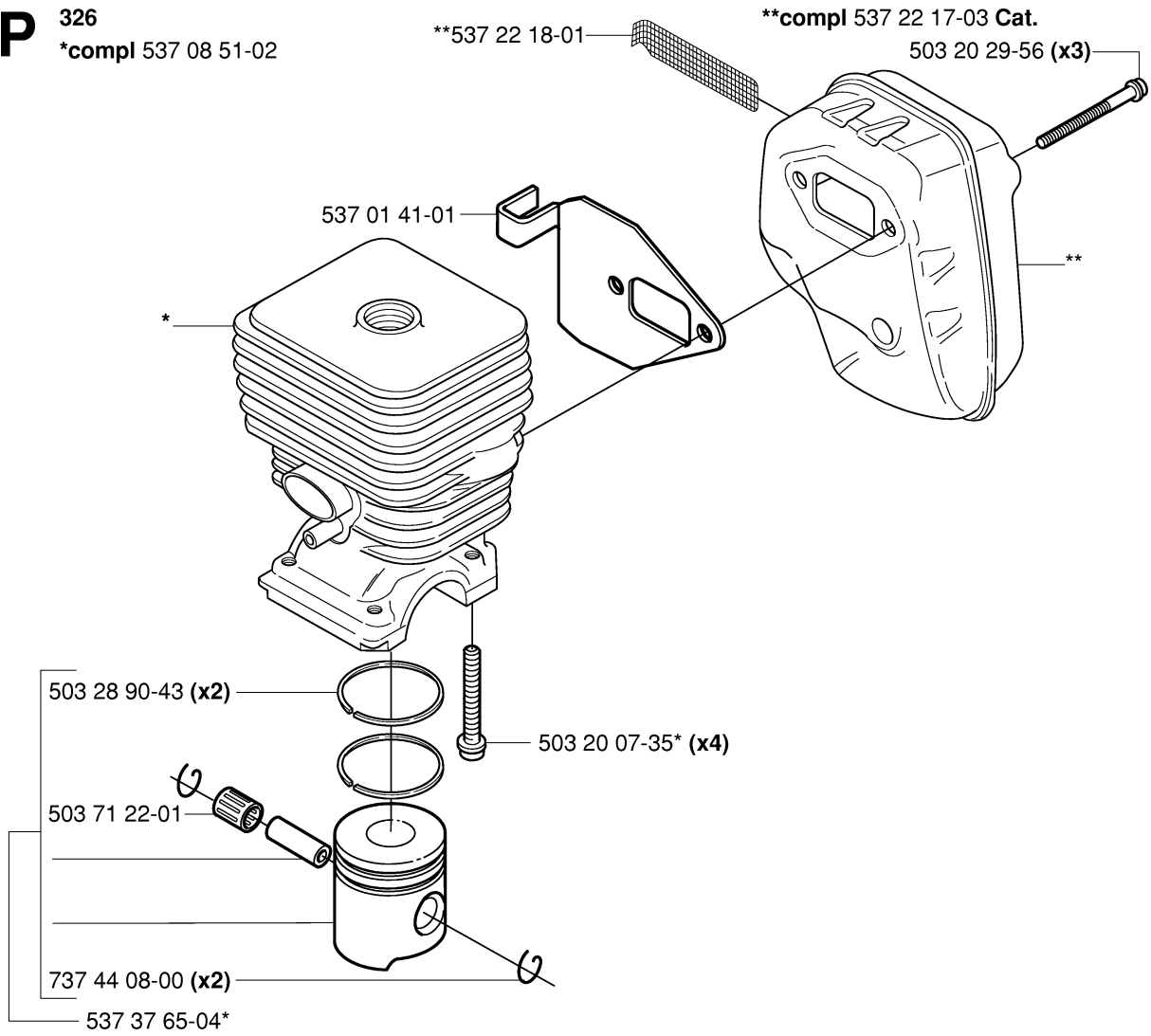


CYLINDER COVER

326 RJX, 2006-04

| Part No | Description | Remark | QTY KIT |
|--------------|----------------|--------|---------|
| 503 21 35-12 | SCREW CCRPANT | | 2 |
| 503 21 68-20 | SCREW IHSCFT | | 1 |
| 503 21 68-20 | SCREW IHSCFT | | 3 |
| 503 87 18-02 | CYLINDER COVER | | 1 |
| 503 96 13-01 | SCREW | R | 2 |
| 503 97 21-01 | COVER | R | 1 |
| 537 10 44-01 | ARM PROTECTION | | 1 |
| 537 32 08-01 | HEAT PROTECTOR | | 1 |
| 537 35 33-14 | LABEL | 323L | 1 |
| 537 35 33-16 | LABEL | 323R | 1 |

P 326
*compl 537 08 51-02

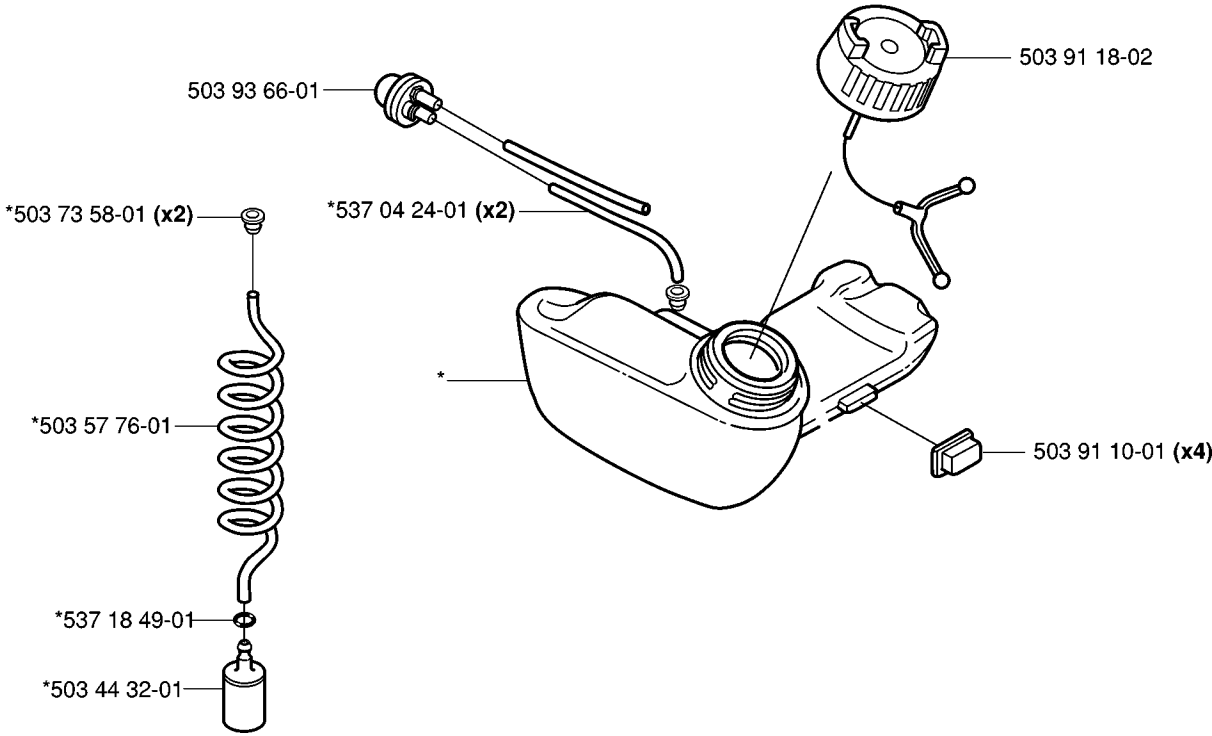


CYLINDER, PISTON & MUFFLER

326 RJX, 2006-04

| Part No | Description | Remark | QTY KIT |
|--------------|-----------------------|--------|---------|
| 503 20 07-35 | SCREW IHSCFM | | 1 |
| 503 20 29-56 | SCREW IHSCFM | | 1 |
| 503 28 90-43 | PISTON RING | | 2 |
| 503 71 22-01 | BEARING | | 1 |
| 537 01 41-01 | GASKET | | 1 |
| 537 08 51-02 | PISTON | | 1 |
| 537 22 17-03 | MUFFLER ASSY | | 1 |
| 537 22 18-01 | SPARK ARRESTER SCREEN | | 1 |
| 537 37 65-04 | PISTON | | 1 |
| 737 44 08-00 | CIRCLIP | | 2 |

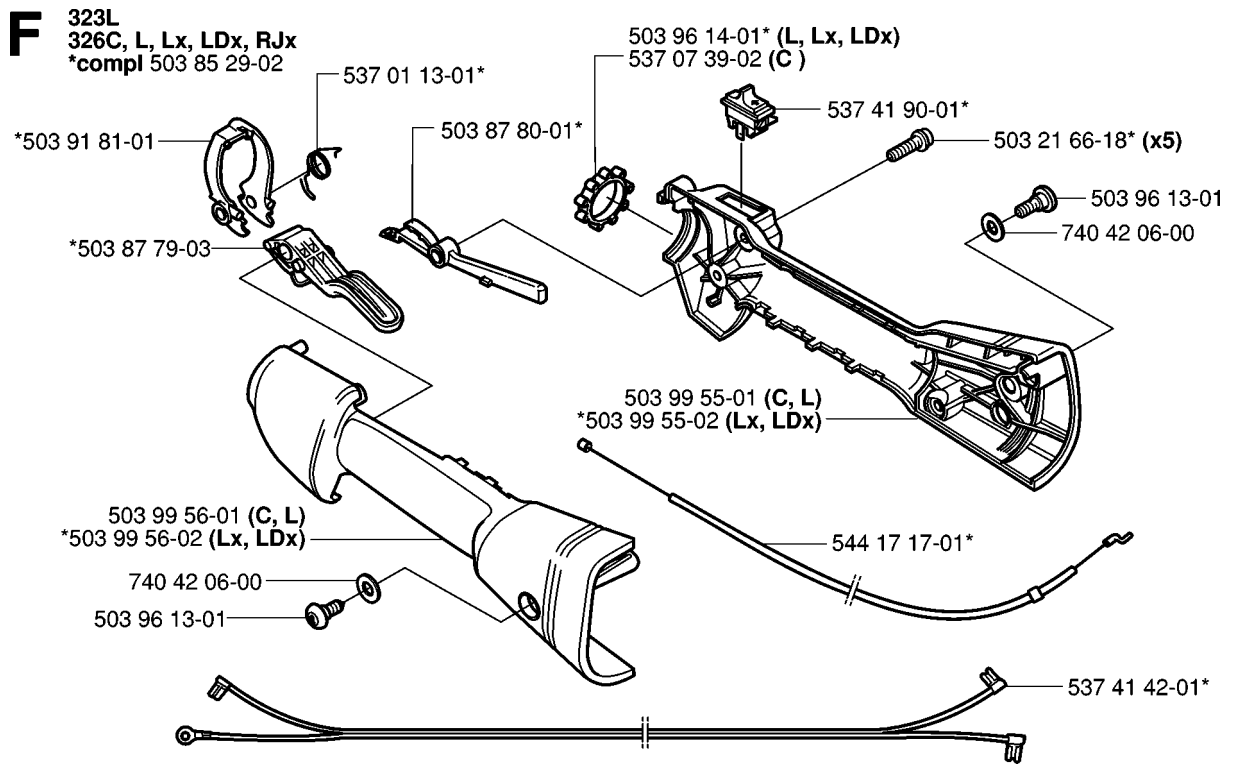
M *compl 537 06 86-02



FUEL TANK

326 RJX, 2006-04

| Part No | Description | Remark | QTY KIT |
|--------------|----------------|--------|---------|
| 503 44 32-01 | FILTER | | 1 |
| 503 57 76-01 | FUEL HOSE | | 1 |
| 503 73 58-01 | BUSHING | | 2 |
| 503 91 10-01 | SUSPENSION | | 4 |
| 503 91 18-02 | TANK CAP | | 1 |
| 503 93 66-01 | PRIMER HOUSING | | 1 |
| 537 04 24-01 | FUEL HOSE | | 2 |
| 537 06 86-02 | FUEL TANK | | 1 |
| 537 18 49-01 | O-RING | | 1 |

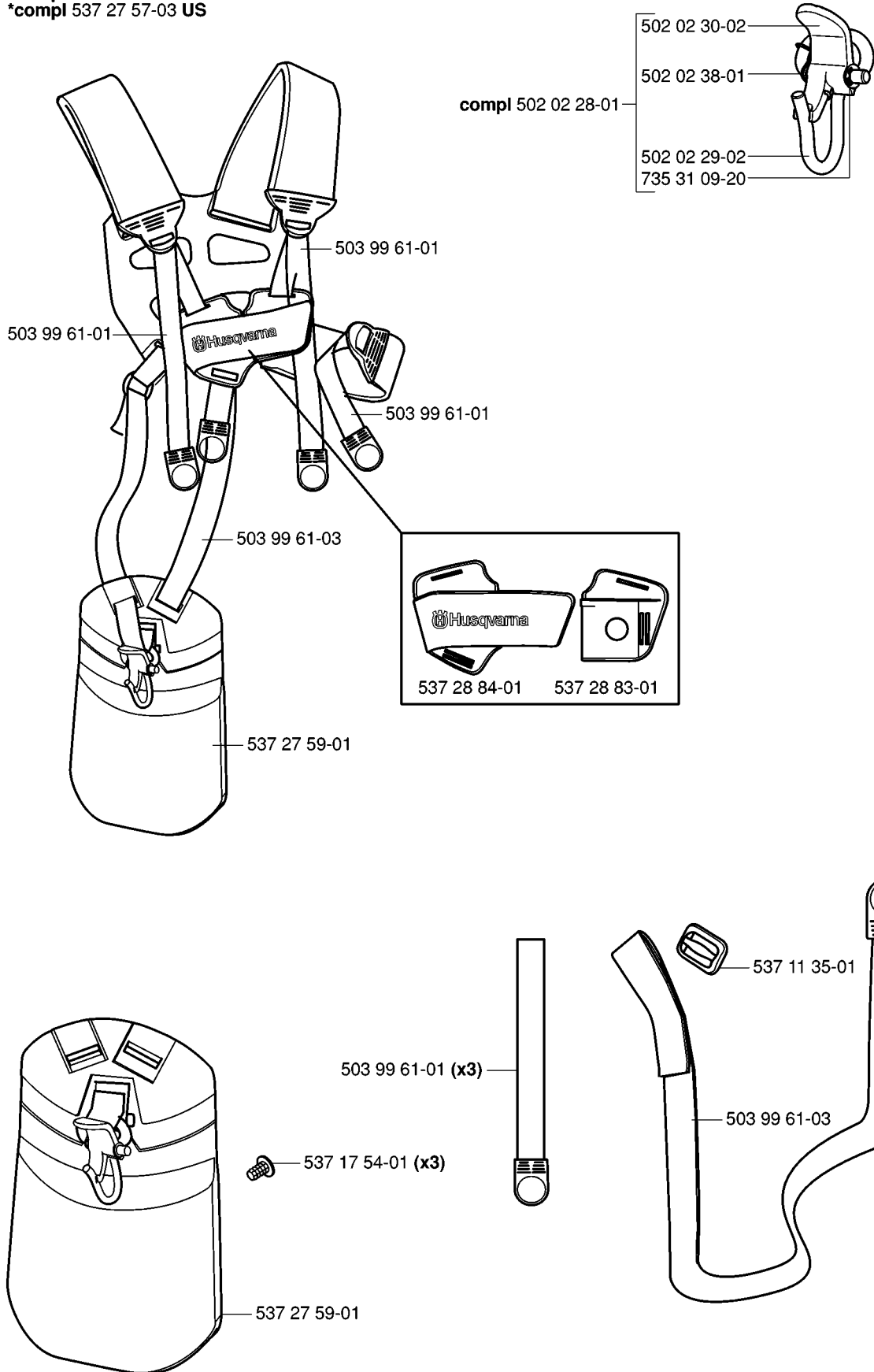


HANDLE & CONTROLS

326 RJX, 2006-04

| Part No | Description | Remark | QTY KIT |
|--------------|-----------------------|-------------------------------|---------|
| 503 21 66-18 | SCREW IHSCT | | 5 |
| 503 85 29-02 | HANDLE | 323L 326C, L, LX, LDX, RJX | 1 |
| 503 87 79-03 | THROTTLE TRIGGER | | 1 |
| 503 87 80-01 | THROTTLE LOCKOUT | | 1 |
| 503 91 81-01 | THROTTLE LEVER | | 1 |
| 503 96 13-01 | SCREW | | 1 |
| 503 96 13-01 | SCREW | | 1 |
| 503 96 14-01 | ABSORBER | L, LX, LDX | 1 |
| 503 99 55-01 | HANDLE HALF | C, L | 1 |
| 503 99 55-02 | HANDLE HALF | LX, LDX | 1 |
| 503 99 56-01 | HANDLE HALF | C, L | 1 |
| 503 99 56-02 | HANDLE HALF | LX, LDX | 1 |
| 537 01 13-01 | RECOIL SPRING | | 1 |
| 537 07 39-02 | ANTIVIBRATION ELEMENT | C | 1 |
| 537 41 42-01 | SHORT CIRCUIT CABLE | | 1 |
| 537 41 90-01 | SWITCH | | 1 |
| 544 17 17-01 | THROTTLE WIRE ASSY | | 1 |
| 740 42 06-00 | O-RING | | 1 |
| 740 42 06-00 | O-RING | | 1 |

Y Duo Balance
*compl 537 27 57-01
*compl 537 27 57-03 US



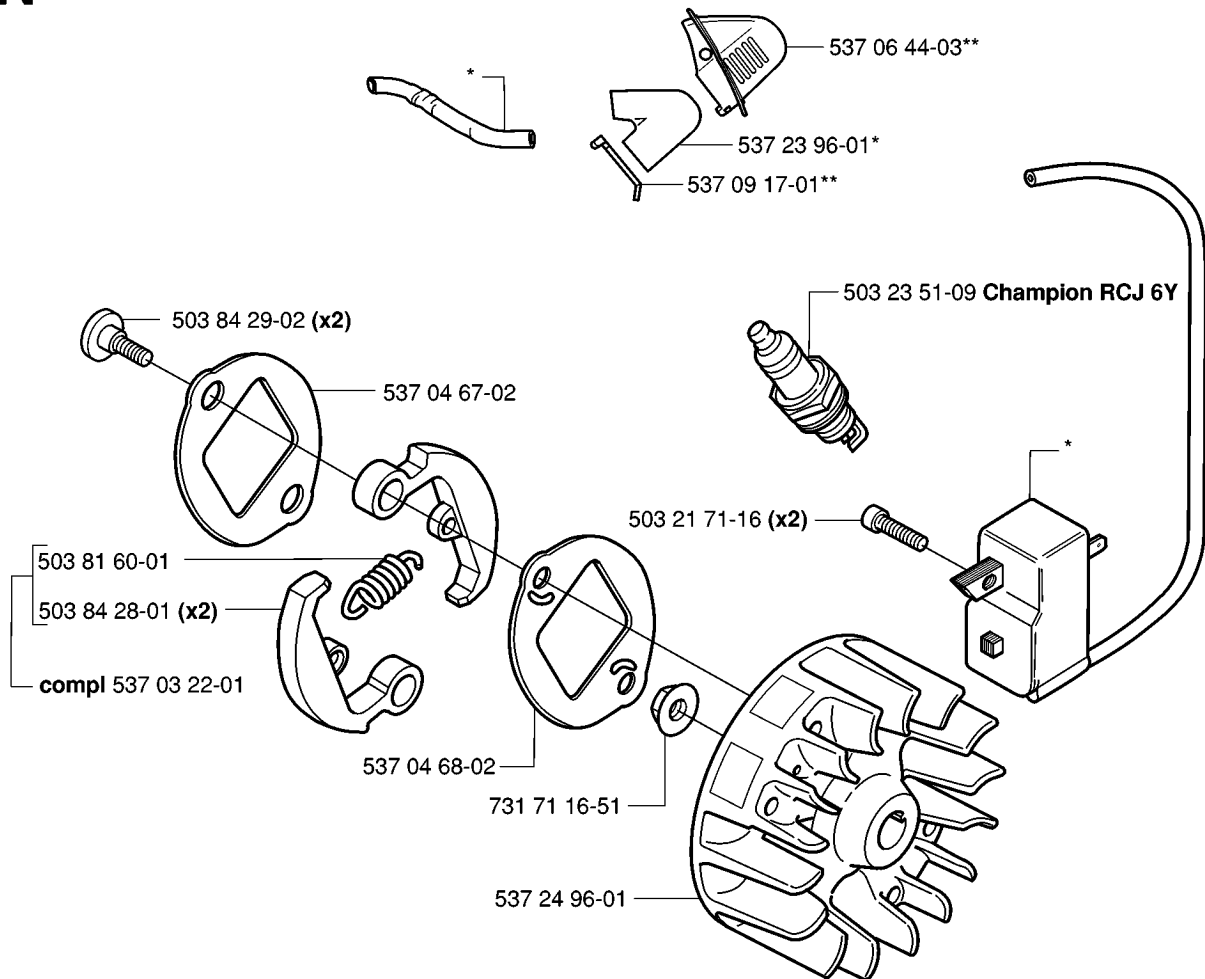
HARNESS

326 RJX, 2006-04

| Part No | Description | Remark | QTY KIT |
|--------------|-------------|-------------|---------|
| 502 02 28-01 | HARNESS | | 1 |
| 502 02 29-02 | HARNESS | | 1 |
| 502 02 30-02 | HARNESS | | 1 |
| 502 02 38-01 | HARNESS | | 1 |
| 503 99 61-01 | HARNESS | | 1 |
| 503 99 61-01 | HARNESS | | 3 |
| 503 99 61-01 | HARNESS | | 1 |
| 503 99 61-01 | HARNESS | | 1 |
| 503 99 61-03 | BAND | | 1 |
| 503 99 61-03 | BAND | | 1 |
| 537 11 35-01 | RETAINER | | 1 |
| 537 17 54-01 | HARNESS | | 3 |
| 537 27 57-01 | HARNESS | DUO BALANCE | 1 |
| 537 27 57-03 | HARNESS | US | 1 |
| 537 27 59-01 | HIP PAD | | 1 |
| 537 27 59-01 | HIP PAD | | 1 |
| 537 28 83-01 | FRONT PIECE | | 1 |
| 537 28 84-01 | FRONT PIECE | | 1 |
| 735 31 09-20 | HARNESS | | 1 |

N *compl 537 41 87-01

**compl 537 06 33-02 (326)

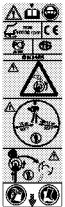
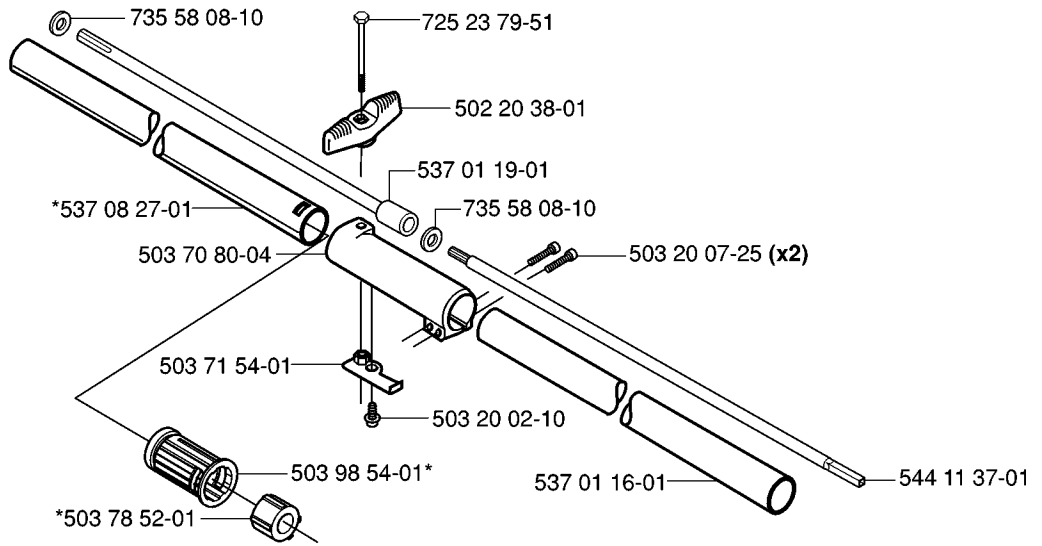


IGNITION SYSTEM

326 RJX, 2006-04

| Part No | Description | Remark | QTY KIT |
|--------------|--------------------|-----------------|---------|
| 503 21 71-16 | SCREW IHSCT | | 2 |
| 503 23 51-09 | SPARK PLUG | CHAMPION RCJ 6Y | 1 |
| 503 81 60-01 | CLUTCH SPRING | | 1 |
| 503 84 28-01 | CLUTCH SHOE | | 2 |
| 503 84 29-02 | SCREW | | 2 |
| 537 03 22-01 | CLUTCH ASSY | | 1 |
| 537 04 67-02 | WASHER | | 1 |
| 537 04 68-02 | WASHER | | 1 |
| 537 06 33-02 | COVER | 326 | 1 |
| 537 06 44-03 | COVER | | 1 |
| 537 09 17-01 | SECURING PLATE | | 1 |
| 537 23 96-01 | SPARK PLUG CAP | | 1 |
| 537 24 96-01 | FLYWHEEL | | 1 |
| 537 41 87-01 | ELECTRONIC MODULE | | 1 |
| 731 71 16-51 | HEXAGON NUT FLANGE | | 1 |

D 326LDx
*compl 537 07 99-01



537 29 48-01



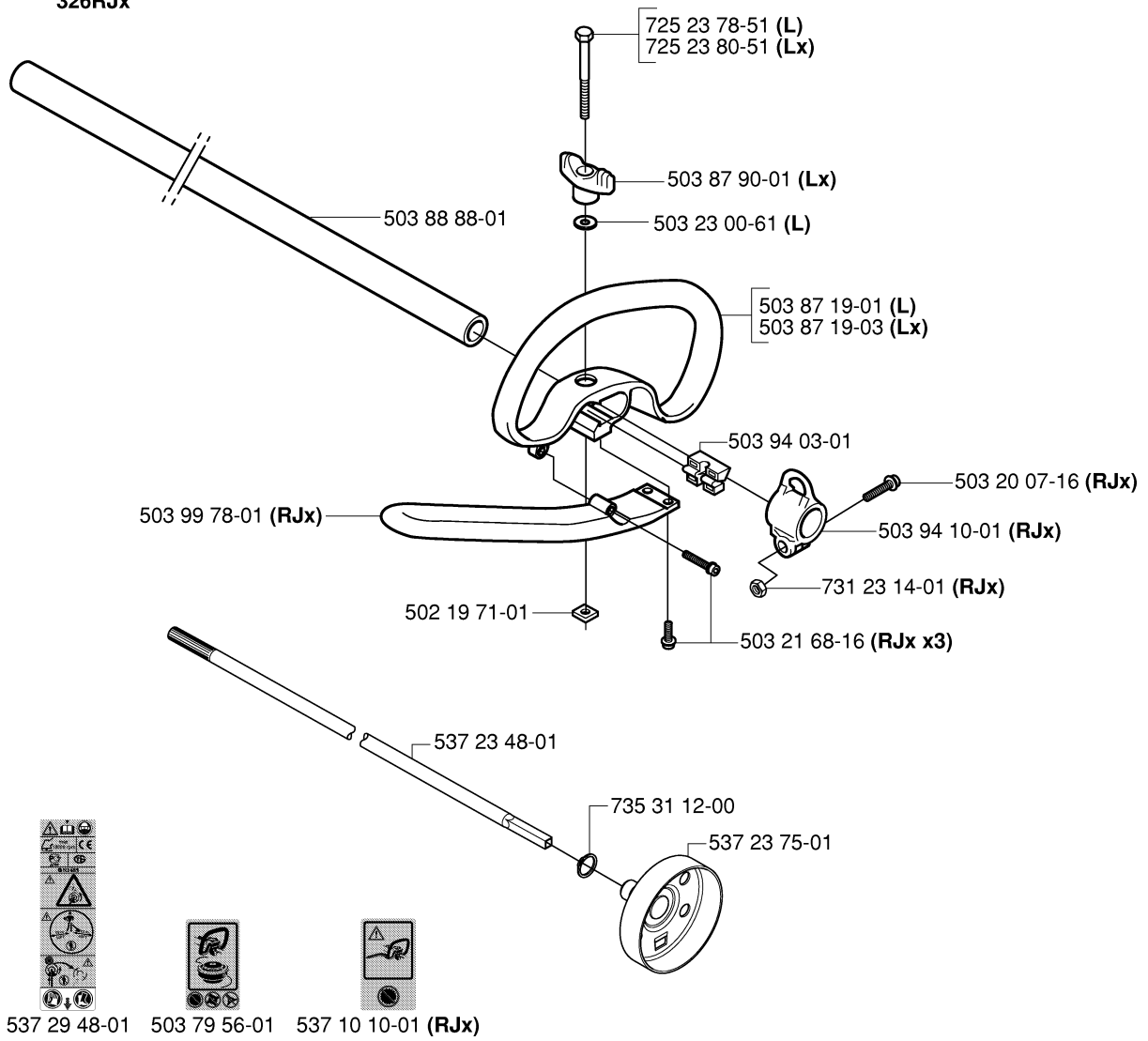
503 79 56-01

SHAFT

326 RJX, 2006-04

| Part No | Description | Remark | QTY KIT |
|--------------|--------------------|--------|---------|
| 502 20 38-01 | KNOB | | 1 |
| 503 20 02-10 | SCREW IHSCFM | | 1 |
| 503 20 07-25 | SCREW IHSCFM | | 2 |
| 503 70 80-04 | COMPRESSION SLEEVE | | 1 |
| 503 71 54-01 | LOCKING PLATE | | 1 |
| 503 78 52-01 | SUPPORTING BEARING | | 1 |
| 503 79 56-01 | LABEL | | 1 |
| 503 98 54-01 | BEARING CAGE | | 1 |
| 537 01 16-01 | TUBE | | 1 |
| 537 01 19-01 | DRIVE SHAFT | | 1 |
| 537 07 99-01 | TUBE | 326LDX | 1 |
| 537 08 27-01 | TUBE | | 1 |
| 537 29 48-01 | LABEL | | 1 |
| 544 11 37-01 | DRIVE SHAFT ASSY | | 1 |
| 725 23 79-51 | SCREW EHHM | | 1 |
| 735 58 08-10 | LOCKWASHER | | 1 |
| 735 58 08-10 | LOCKWASHER | | 1 |

C 323L
326L, Lx
326RJx

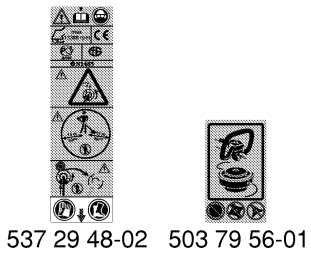
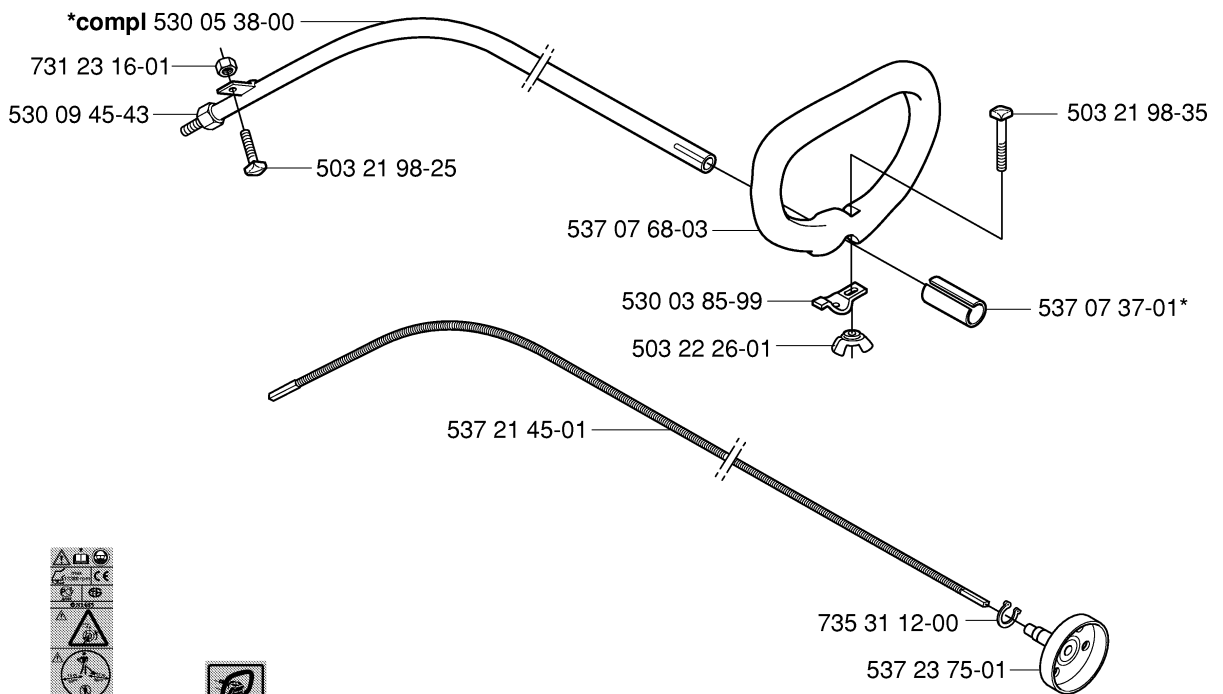


SHAFT & HANDLE

326 RJX, 2006-04

| Part No | Description | Remark | QTY KIT |
|--------------|------------------|----------------------|---------|
| 502 19 71-01 | SQUARE NUT | | 1 |
| 503 20 07-16 | SCREW IHSCFM | RJX | 1 |
| 503 21 68-16 | SCREW IHSCF | RJX | 3 |
| 503 23 00-61 | WASHER | L | 1 |
| 503 79 56-01 | LABEL | | 1 |
| 503 87 19-01 | HANDLE.LOOP | L | 1 |
| 503 87 19-03 | HANDLE | LX | 1 |
| 503 87 90-01 | KNOB | LX | 1 |
| 503 88 88-01 | TUBE | | 1 |
| 503 94 03-01 | DISTANCE | | 1 |
| 503 94 10-01 | HOOK | RJX | 1 |
| 503 99 78-01 | HANDLE | RJX | 1 |
| 537 10 10-01 | LABEL | RJX | 1 |
| 537 23 48-01 | DRIVE SHAFT | | 1 |
| 537 23 75-01 | CLUTCH DRUM ASSY | | 1 |
| 537 29 48-01 | LABEL | 323L 326L, LX 326RJX | 1 |
| 725 23 78-51 | SCREW EHHM | L | 1 |
| 725 23 80-51 | SCREW EHHM | LX | 1 |
| 731 23 14-01 | HEXAGON NUT | RJX | 1 |
| 735 31 12-00 | CIRCLIP | | 1 |

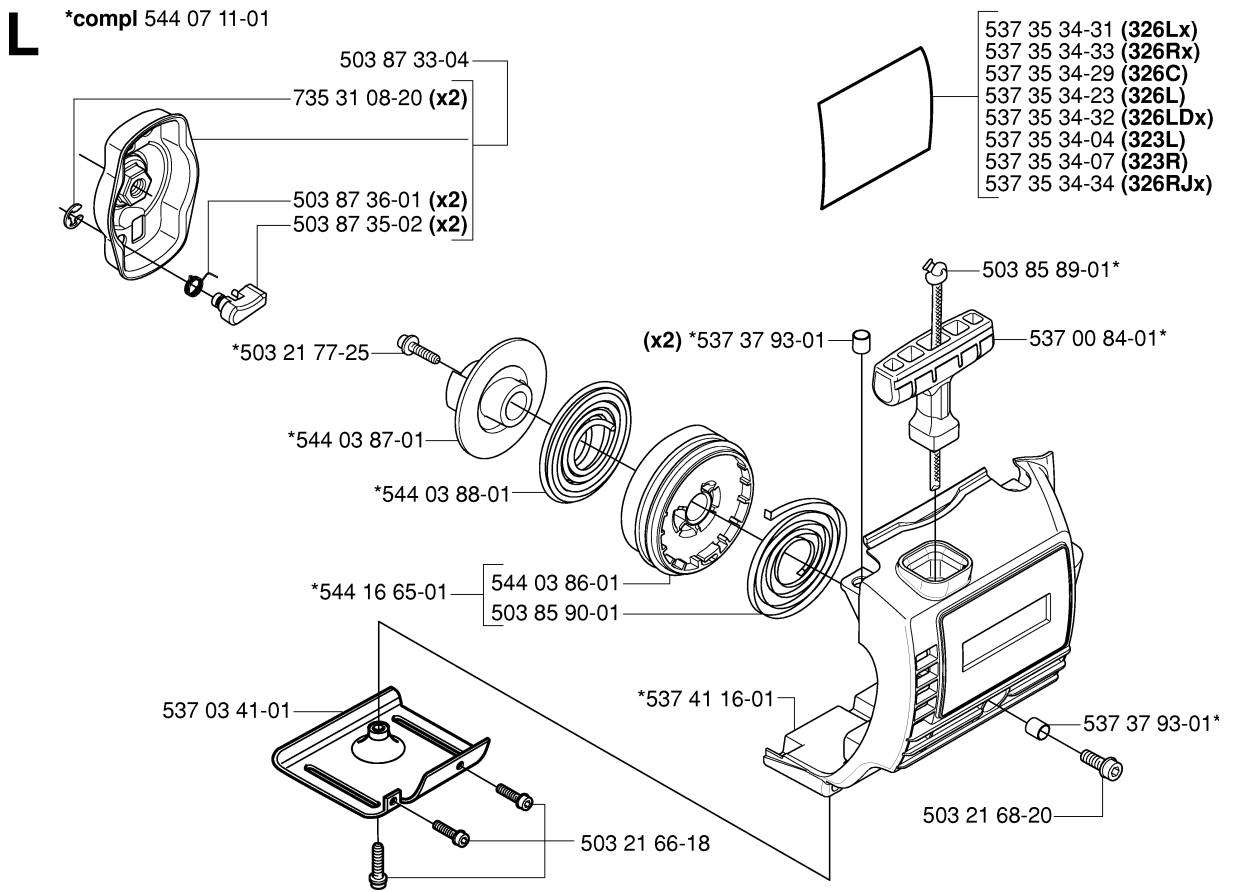
B 326C



SHAFT & HANDLE

326 RJX, 2006-04

| Part No | Description | Remark | QTY KIT |
|--------------|------------------|--------|---------|
| 503 21 98-25 | SCREW | | 1 |
| 503 21 98-35 | SCREW | | 1 |
| 503 22 26-01 | NUT | | 1 |
| 503 79 56-01 | LABEL | | 1 |
| 530 03 85-99 | BRACKET | | 1 |
| 530 05 38-00 | SHAFT | | 1 |
| 530 09 45-43 | DRIVER | | 1 |
| 537 07 37-01 | SPACING TUBE | | 1 |
| 537 07 68-03 | HANDLE | | 1 |
| 537 21 45-01 | DRIVE SHAFT | | 1 |
| 537 23 75-01 | CLUTCH DRUM ASSY | | 1 |
| 537 29 48-02 | LABEL | 326C | 1 |
| 731 23 16-01 | HEXAGON NUT | | 1 |
| 735 31 12-00 | CIRCLIP | | 1 |



STARTER

326 RJX, 2006-04

| Part No | Description | Remark | QTY KIT |
|--------------|---------------------|--------|---------|
| 503 21 66-18 | SCREW IHSC T | | 1 |
| 503 21 68-20 | SCREW IHSC FT | | 1 |
| 503 21 77-25 | SCREW IHSC T | | 1 |
| 503 85 89-01 | STARTER CORD | | 1 |
| 503 85 90-01 | RECOIL SPRING | | 1 |
| 503 87 33-04 | STARTER PAWL BRIDGE | | 1 |
| 503 87 35-02 | STARTER PAWL | | 2 |
| 503 87 36-01 | SPRING | | 2 |
| 537 00 84-01 | STARTER HANDLE | | 1 |
| 537 03 41-01 | PROTECTIVE PLATE | | 1 |
| 537 35 34-04 | LABEL | 323L | 1 |
| 537 35 34-07 | LABEL | 323R | 1 |
| 537 35 34-23 | LABEL | 326L | 1 |
| 537 35 34-29 | LABEL | 326C | 1 |
| 537 35 34-31 | LABEL | 326LX | 1 |
| 537 35 34-32 | LABEL | 326LDX | 1 |
| 537 35 34-33 | LABEL | 326RX | 1 |
| 537 35 34-34 | LABEL | 326RJX | 1 |
| 537 37 93-01 | SPACING SLEEVE | | 1 |
| 537 37 93-01 | SPACING SLEEVE | | 2 |
| 537 41 16-01 | STARTER HOUSING | | 1 |
| 544 03 86-01 | STARTER PULLEY | | 1 |
| 544 03 87-01 | DRIVER | | 1 |
| 544 03 88-01 | SPRING | | 1 |
| 544 07 11-01 | STARTER ASSY | | 1 |
| 544 16 65-01 | STARTER PULLEY ASSY | | 1 |
| 735 31 08-20 | E-CLIP | | 2 |