



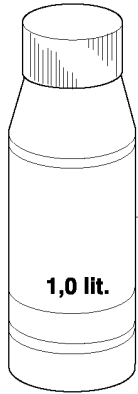
SPARE PARTS LIST

BRUSHCUTTERS/CLEARING SAWS

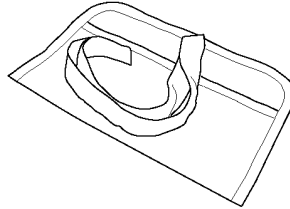
333 R, 2006-10

V Accessories
Zubehöre
Accessoires
Accesorios
Tillbehör

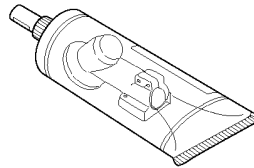
Oil Airfilter
Öl Luftfilter
Huile Filtraire
Aceite Filtro Air
Olja Luftfilter



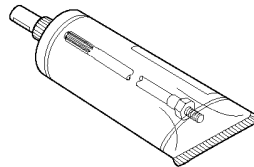
531 00 92-48



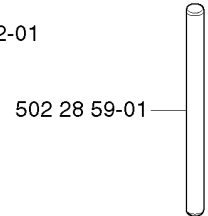
501 19 22-01



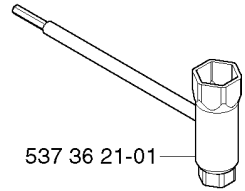
503 97 64-01



503 80 17-01

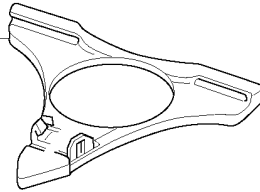


502 28 59-01

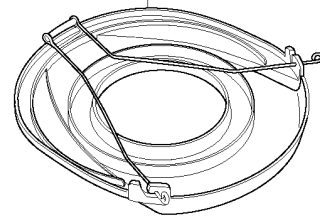


537 36 21-01

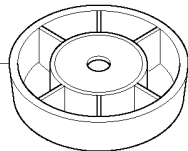
(300mm) 502 26 23-01



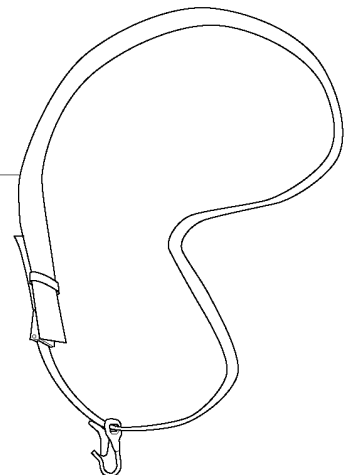
537 31 29-01 (200-275 mm)



503 89 01-02



537 21 62-01
USA 537 21 62-02

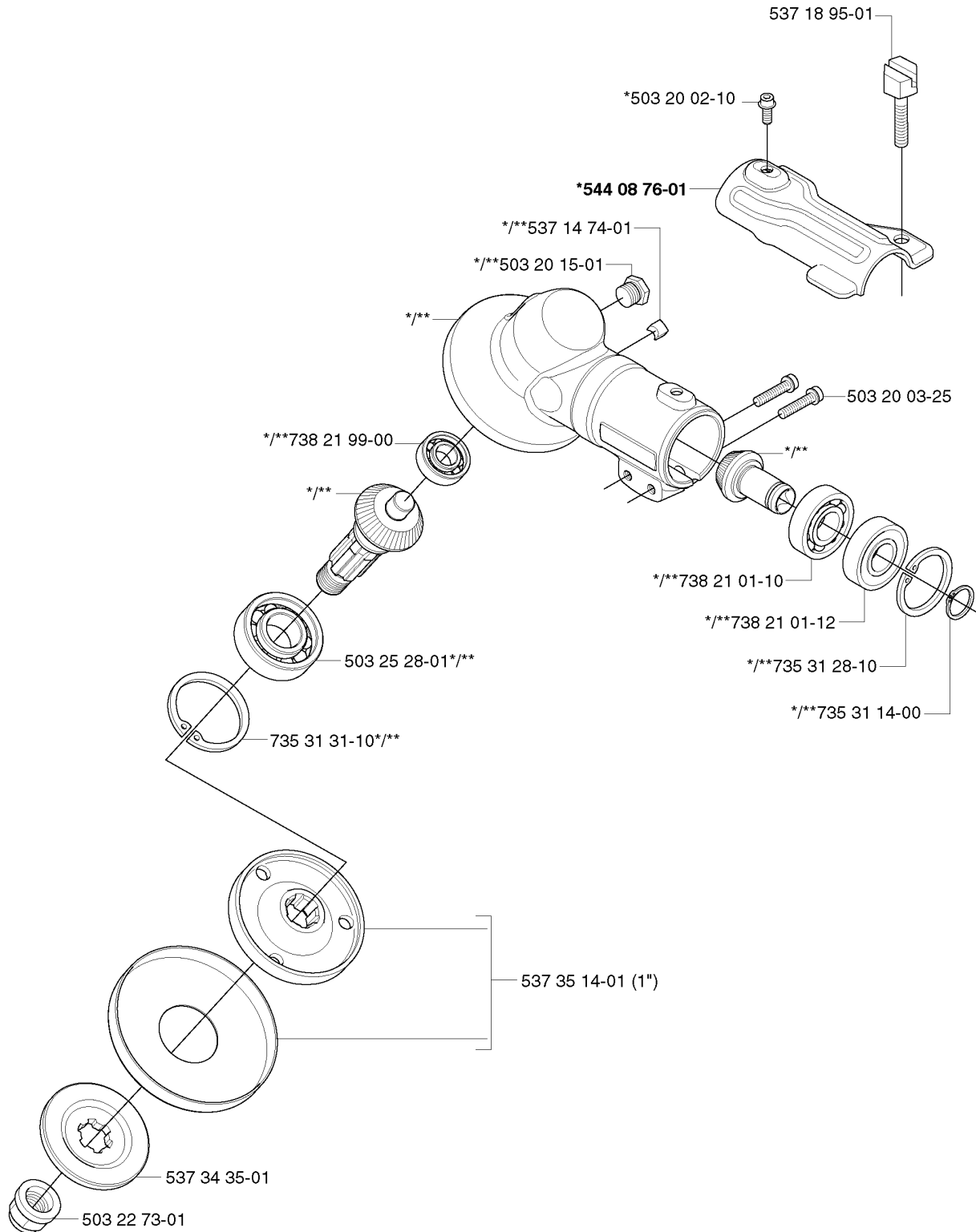


ACCESSORIES

333 R, 2006-10

Part No	Description	Remark	QTY KIT
501 19 22-01	TOOL CASING		1
502 26 23-01	TRANSPORT GUARD		1
502 28 59-01	STOP		1
503 80 17-01	GREASE		1
503 89 01-02	SUPPORT CUP		1
503 97 64-01	GREASE		1
531 00 92-48	FILTER OIL		1
537 21 62-01	HARNESS		1
537 21 62-02	HARNESS		1
537 31 29-01	TRANSPORT GUARD		1
537 36 21-01	COMBINATION WRENCH		1

A *compl 544 21 64-01 (333R, 335Rx) (1:1.4)
**compl 537 29 58-02 (333RJ, 335RJx, 335Lx) (1:1.29)



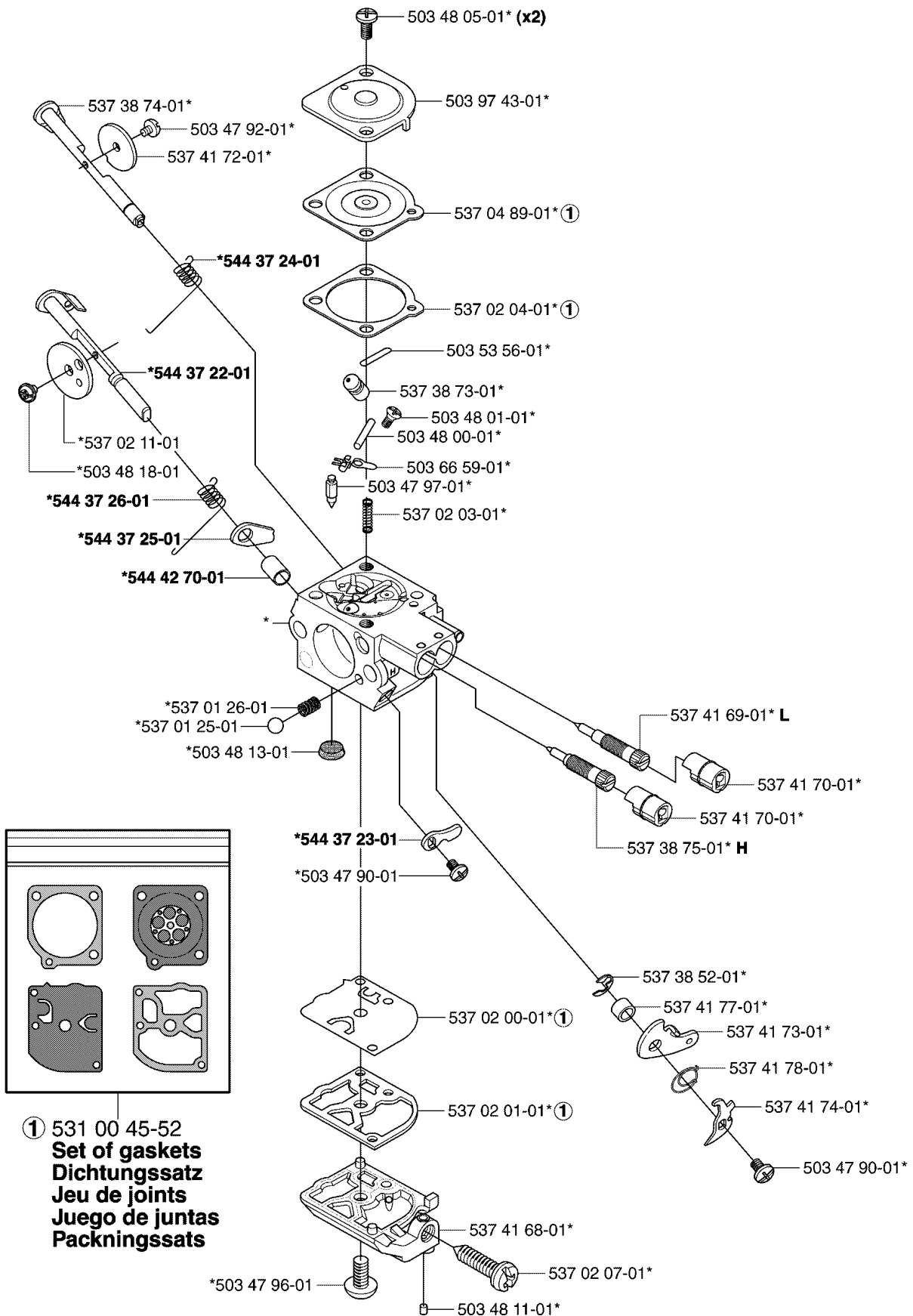
BEVEL GEAR

333 R, 2006-10

Part No	Description	Remark	QTY KIT
503 20 02-10	SCREW IHSCFM		1
503 20 03-25	SCREW IHSCFM		1
503 20 15-01	SCREW IHHM		1
503 22 73-01	NUT		1
503 25 28-01	BALL BEARING		1
537 14 74-01	MAGNET		1
537 18 95-01	SCREW		1
537 29 58-02	BEVEL GEAR		1
537 34 35-01	SUPPORT FLANGE		1
537 35 14-01	DRIVER		1
544 08 76-01	CLAMP		1
544 21 64-01	GEAR		1
735 31 14-00	CIRCLIP		1
735 31 28-10	CIRCLIP		1
735 31 31-10	CIRCLIP		1
738 21 01-10	BALL BEARING		1
738 21 01-12	BALL BEARING		1
738 21 99-00	BALL BEARING		1

T *compl 544 32 56-01 (ZAMA C1Q-EL36)

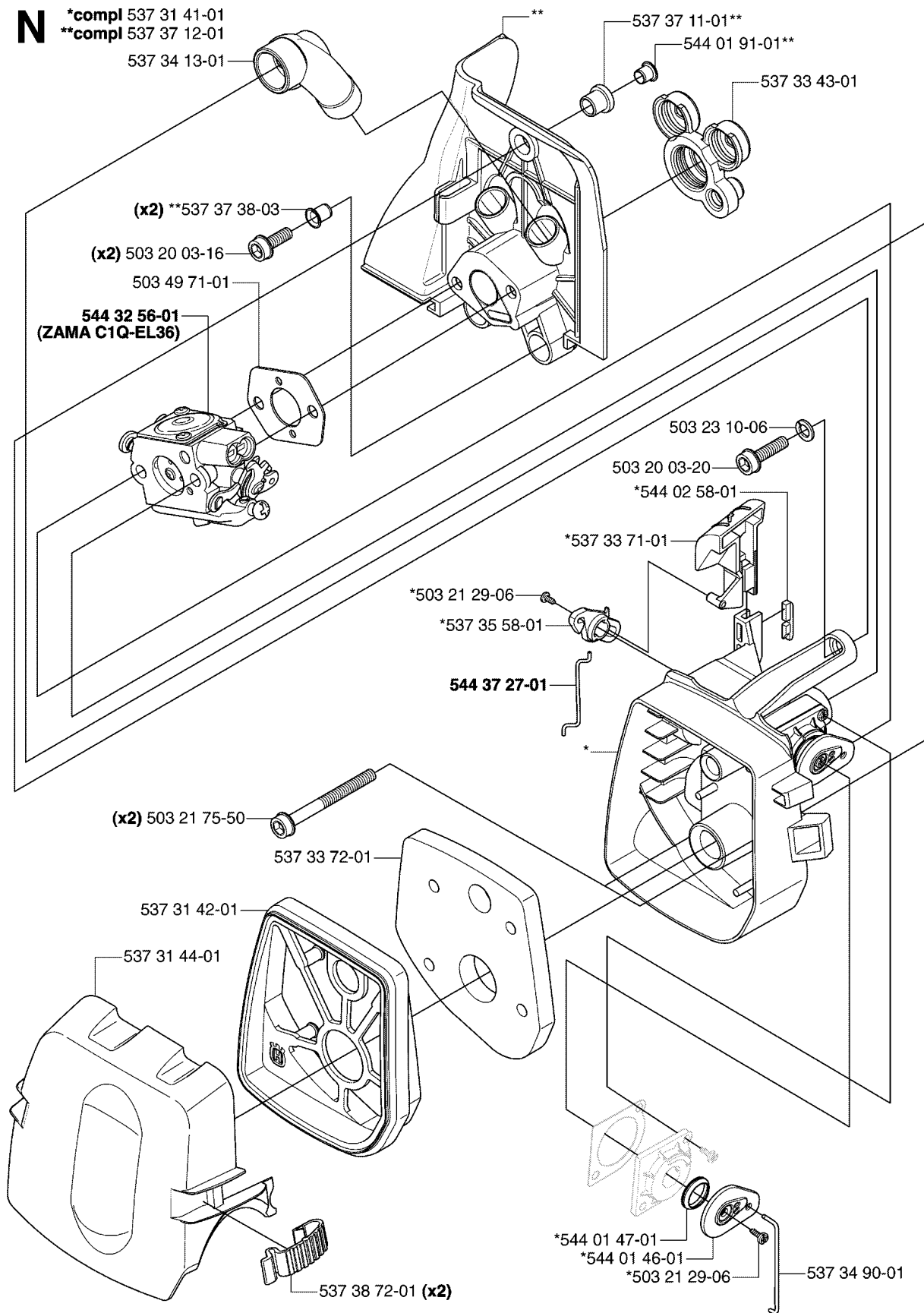
Zama C1Q-EL36



CARBURETOR

333 R, 2006-10

Part No	Description	Remark	QTY KIT
503 47 90-01	SCREW		1
503 47 90-01	SCREW		1
503 47 92-01	SCREW		1
503 47 96-01	SCREW		1
503 47 97-01	VALVE		1
503 48 00-01	PIN RETAINING SCREW		1
503 48 01-01	SCREW		1
503 48 05-01	SCREW		2
503 48 11-01	PIECE		1
503 48 13-01	STRAINER		1
503 48 18-01	SCREW		1
503 53 56-01	PLUG WELCH		1
503 66 59-01	LEVER		1
503 97 43-01	COVER		1
537 01 25-01	BALL		1
537 01 26-01	SPRING		1
537 02 00-01	DIAPHRAGM PUMP		1
537 02 01-01	GASKET		1
537 02 03-01	SPRING		1
537 02 04-01	GASKET		1
537 02 07-01	SCREW		1
537 02 11-01	VALVE		1
537 04 89-01	DIAPHRAGM		1
537 38 52-01	CLIP		1
537 38 73-01	NOZZLE ASSY		1
537 38 74-01	SHAFT ASSY		1
537 38 75-01	SCREW		1
537 41 68-01	COVER		1
537 41 69-01	SCREW		1
537 41 70-01	LIMITER CAP		1
537 41 70-01	LIMITER CAP		1
537 41 72-01	VALVE		1
537 41 73-01	LEVER		1
537 41 74-01	LEVER		1
537 41 77-01	COLLAR		1
537 41 78-01	SPRING THROTT.RETURN		1
544 32 56-01	CARBURETTOR		1
544 37 22-01	SHAFT ASSY		1
544 37 23-01	LEVER		1
544 37 24-01	SPRING		1
544 37 25-01	LEVER		1
544 37 26-01	SPRING		1
544 42 70-01	COLLAR		1



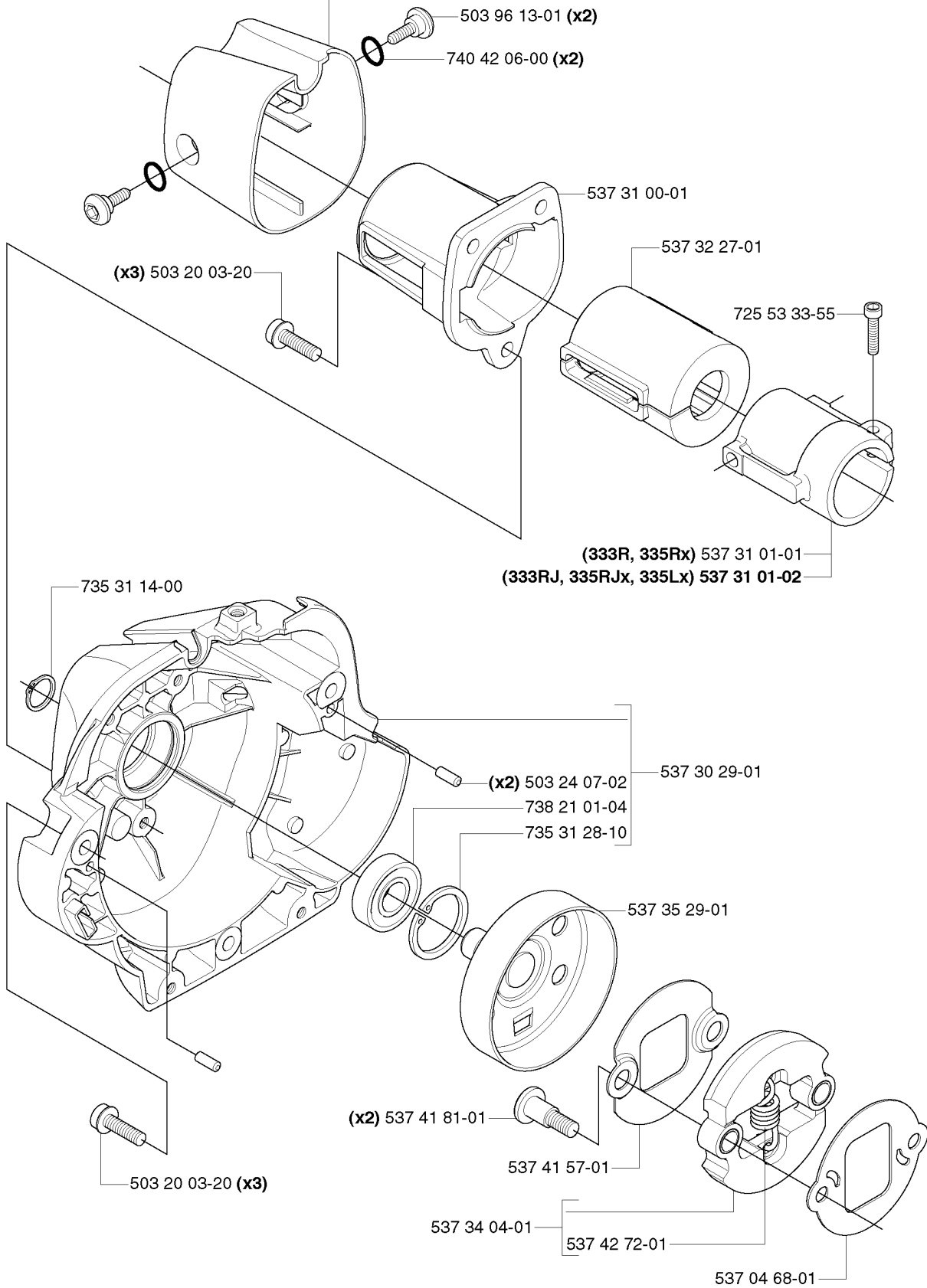
CARBURETOR & AIR FILTER

333 R, 2006-10

Part No	Description	Remark	QTY KIT
503 20 03-16	SCREW IHSCFM		2
503 20 03-20	SCREW IHSCFM		1
503 21 29-06	SCREW CCRPANT		1
503 21 29-06	SCREW CCRPANT		1
503 21 75-50	SCREW IHSCFT		2
503 23 10-06	WASHER		1
503 49 71-01	GASKET		1
537 31 41-01	FILTER HOLDER		1
537 31 42-01	FRAME		1
537 31 44-01	FILTER COVER		1
537 33 43-01	INLET PIPE		1
537 33 71-01	CHOKE CONTROL		1
537 33 72-01	FILTER		1
537 34 13-01	AIR DUCT		1
537 34 90-01	LEVER		1
537 35 58-01	LEVER		1
537 37 11-01	SLEEVE		1
537 37 12-01	INSULATION WALL		1
537 37 38-03	TUBULAR RIVET		2
537 38 72-01	SNAP		2
544 01 46-01	LEVER		1
544 01 47-01	BELLOWS		1
544 01 91-01	TUBULAR RIVET		1
544 02 58-01	BAR		1
544 32 56-01	CARBURETTOR		1
544 37 27-01	SLEEVING BRACKET		1

H

(333RJ, 335RJx, 335Lx) 544 11 97-01
(333R, 335Rx) 537 32 61-01

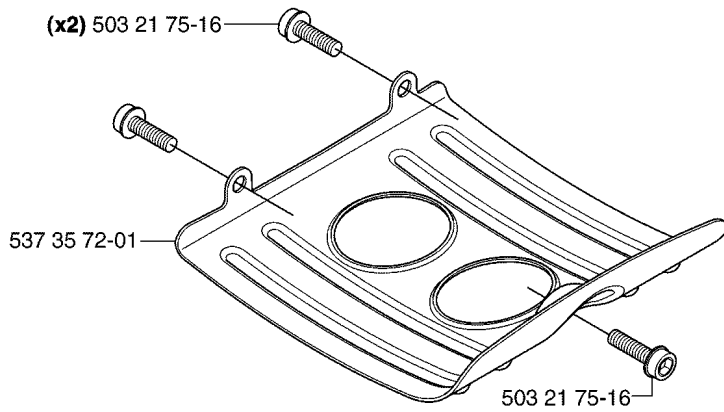
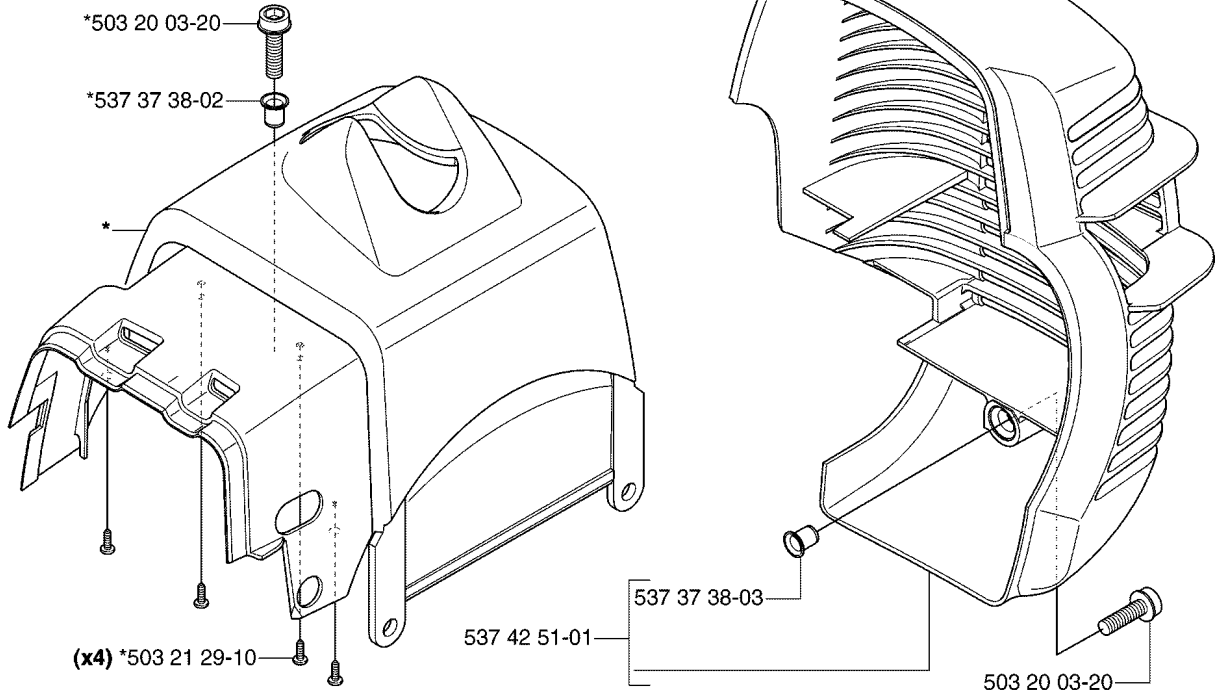


CLUTCH

333 R, 2006-10

Part No	Description	Remark	QTY KIT
503 20 03-20	SCREW IHSCFM		3
503 20 03-20	SCREW IHSCFM		3
503 24 07-02	PARALLEL PIN		2
503 96 13-01	SCREW		2
537 04 68-01	WASHER		1
537 30 29-01	CLUTCH COVER		1
537 31 00-01	COVER		1
537 31 01-01	COMPRESSION SLEEVE		1
537 31 01-02	COMPRESSION SLEEVE		1
537 32 27-01	ANTIVIBRATION ELEMENT		1
537 32 61-01	COVER		1
537 34 04-01	CLUTCH		1
537 35 29-01	CLUTCH DRUM		1
537 41 57-01	WASHER		1
537 41 81-01	SCREW		2
537 42 72-01	SPRING		1
544 11 97-01	COVER		1
725 53 33-55	SCREW IHSCM		1
735 31 14-00	CIRCLIP		1
735 31 28-10	CIRCLIP		1
738 21 01-04	BALL BEARING		1
740 42 06-00	O-RING		2

J *compl 544 16 01-01



- (335Lx) 537 39 52-02
- (333RJ) 537 39 52-03
- (333R) 537 39 52-04
- (335RJx) 537 39 52-05
- (335Rx) 537 39 52-06

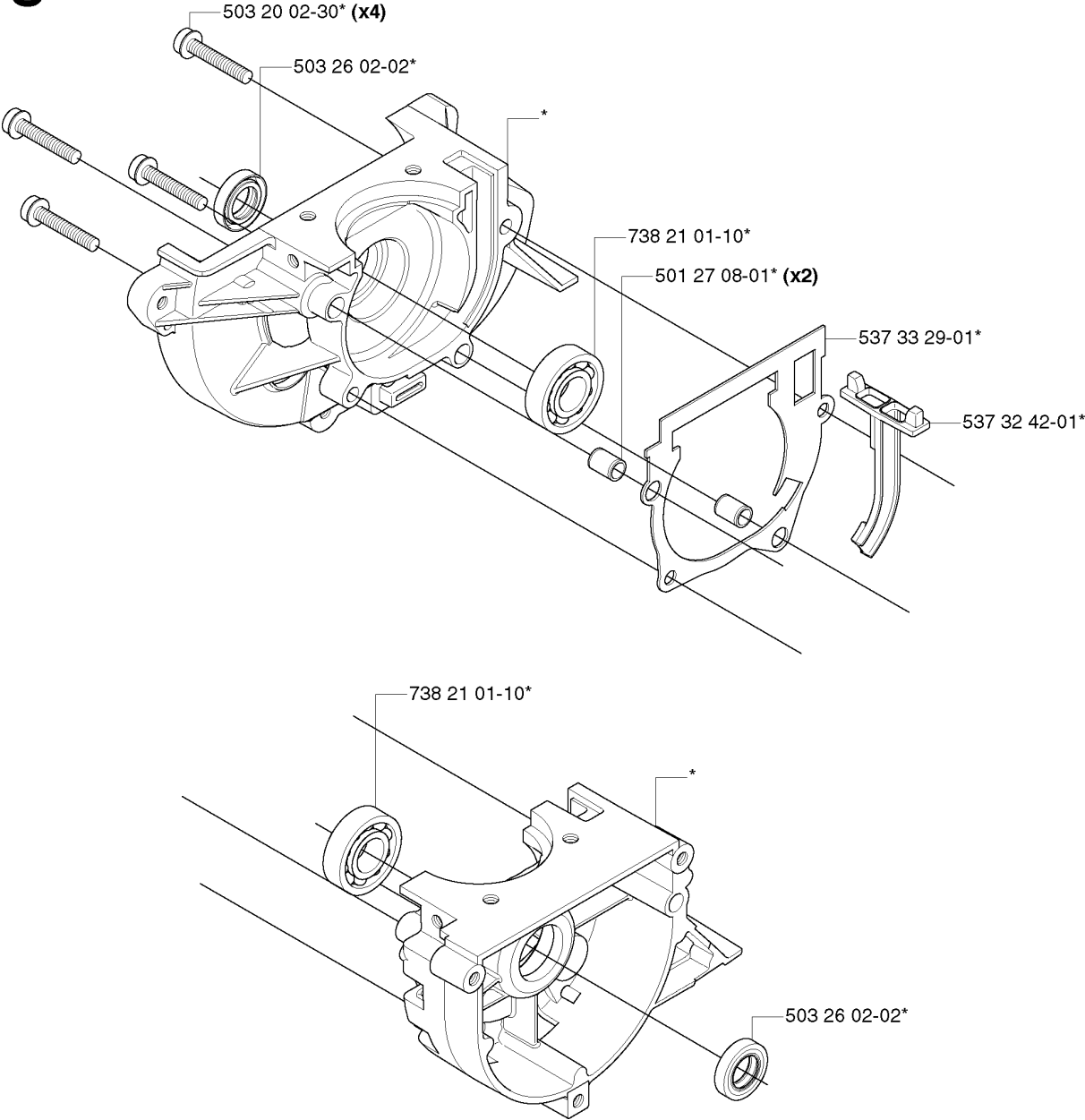
COVER

333 R, 2006-10

Part No	Description	Remark	QTY KIT
503 20 03-20	SCREW IHSCFM		1
503 20 03-20	SCREW IHSCFM		1
503 21 29-10	SCREW CCRPANT		4
503 21 75-16	SCREW IHSCFT		2
503 21 75-16	SCREW IHSCFT		1
537 35 72-01	PROTECTIVE PLATE		1
537 37 38-02	TUBULAR RIVET		1
537 37 38-03	TUBULAR RIVET		1
537 39 52-02	LABEL		1
537 39 52-03	LABEL		1
537 39 52-04	LABEL		1
537 39 52-05	LABEL		1
537 39 52-06	LABEL		1
537 42 51-01	HEAT PROTECTOR		1
544 16 01-01	CYLINDER COVER		1

S

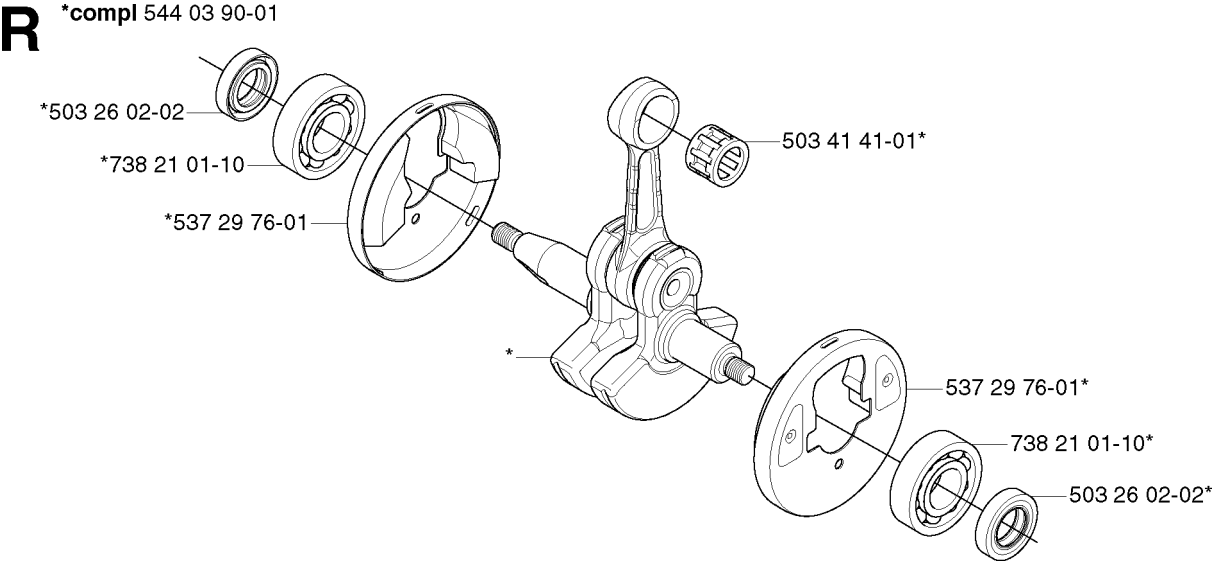
*compl 544 03 89-01



CRANKCASE

333 R, 2006-10

Part No	Description	Remark	QTY KIT
501 27 08-01	GUIDE BUSHING		2
503 20 02-30	SCREW IHSCFM		4
503 26 02-02	SEALING RING		1
503 26 02-02	SEALING RING		1
537 32 42-01	INSERT		1
537 33 29-01	GASKET		1
544 03 89-01	CRANKCASE ASSY		1
738 21 01-10	BALL BEARING		1
738 21 01-10	BALL BEARING		1

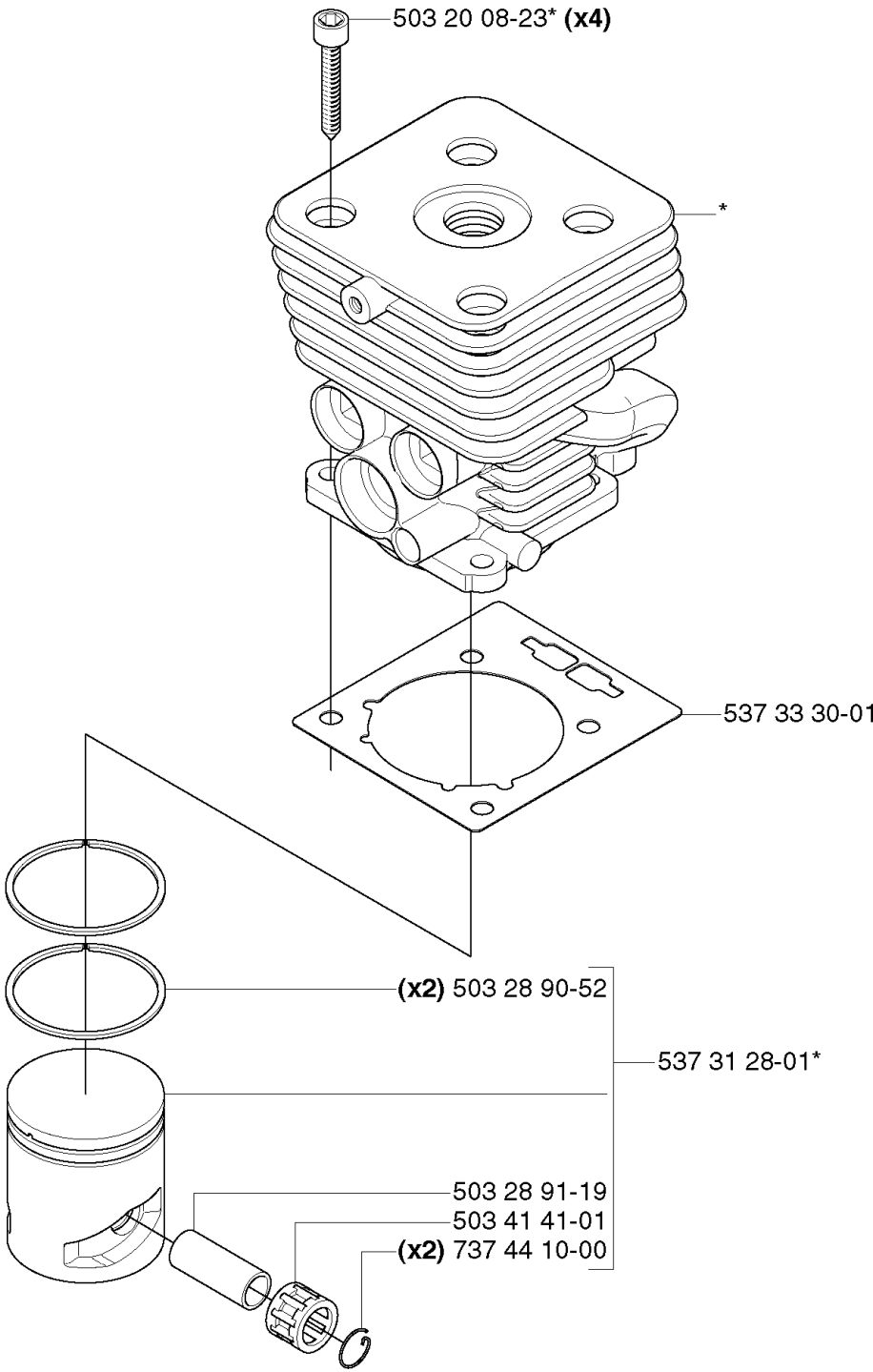


CRANKSHAFT

333 R, 2006-10

Part No	Description	Remark	QTY KIT
503 26 02-02	SEALING RING		1
503 26 02-02	SEALING RING		1
503 41 41-01	NEEDLE BEARING		1
537 29 76-01	CUP		1
537 29 76-01	CUP		1
544 03 90-01	CRANKSHAFT ASSY		1
738 21 01-10	BALL BEARING		1
738 21 01-10	BALL BEARING		1

Q *compl 544 40 06-01 $\varnothing=38$ mm

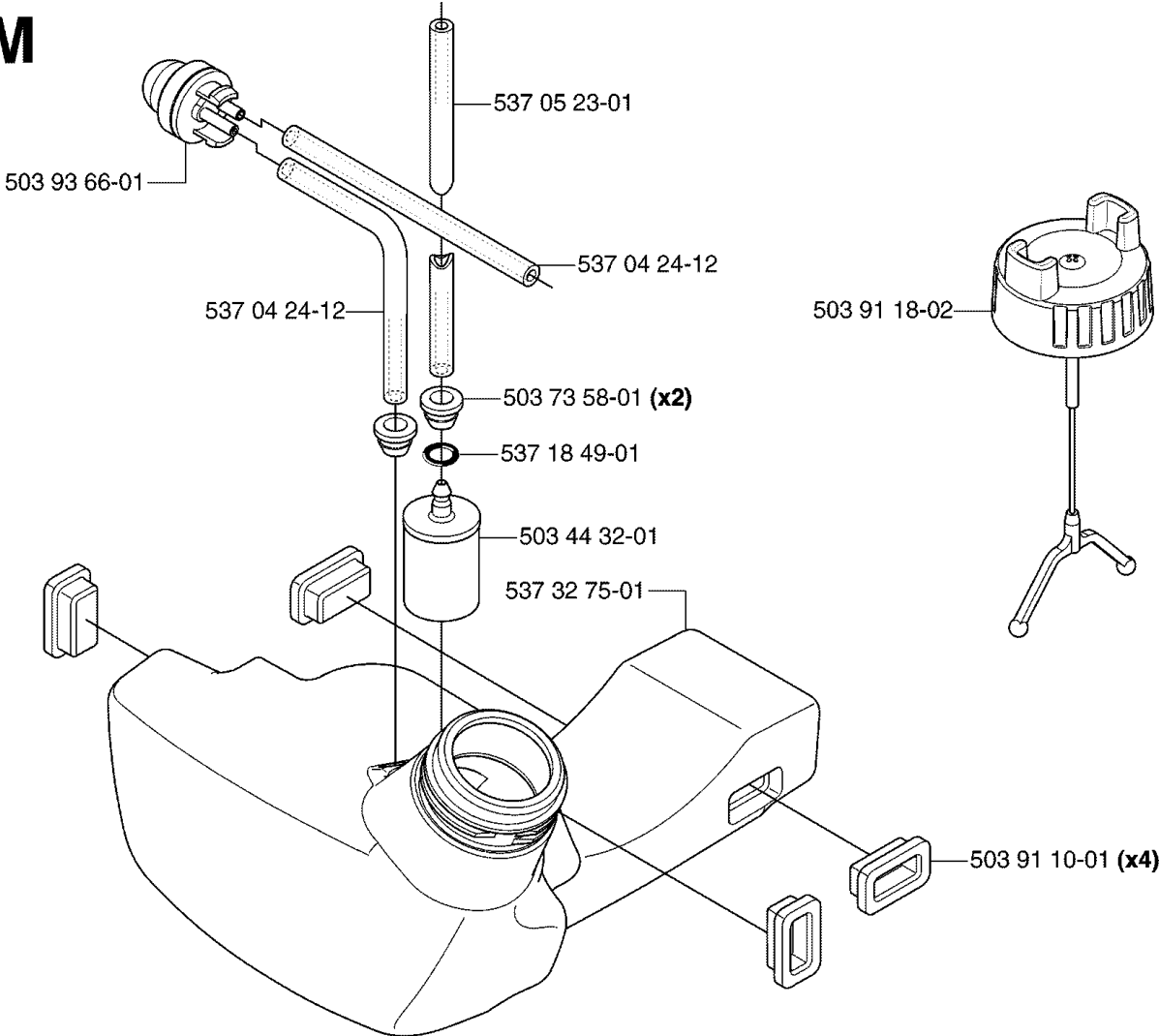


CYLINDER PISTON

333 R, 2006-10

Part No	Description	Remark	QTY KIT
503 20 08-23	SCREW IHSCM		4
503 28 90-52	PISTON RING		2
503 28 91-19	PISTON PIN		1
503 41 41-01	NEEDLE BEARING		1
537 31 28-01	PISTON		1
537 33 30-01	GASKET		1
544 40 06-01	CYLINDER ASSY		1
737 44 10-00	SNAP RING		2

M

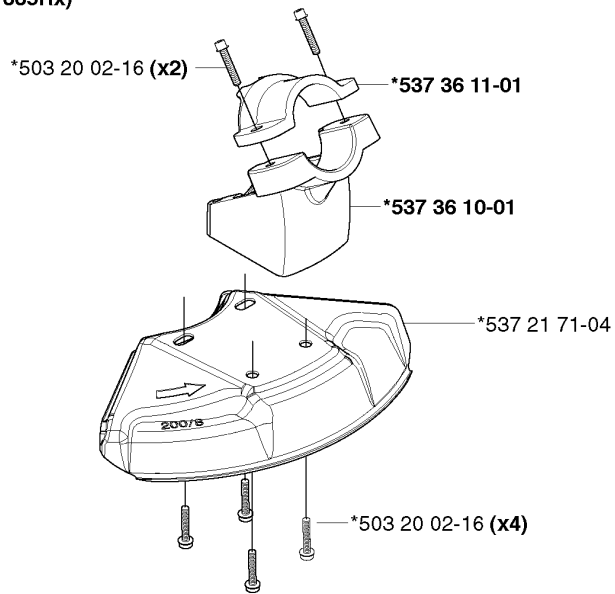


FUEL TANK

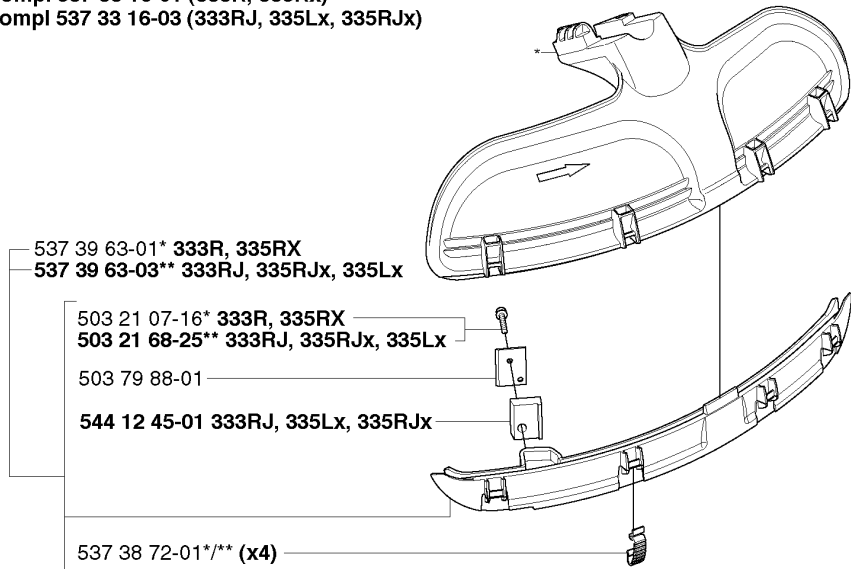
333 R, 2006-10

Part No	Description	Remark	QTY KIT
503 44 32-01	FILTER		1
503 73 58-01	BUSHING		2
503 91 10-01	SUSPENSION		4
503 91 18-02	TANK CAP		1
503 93 66-01	PRIMER HOUSING		1
537 04 24-12	FUEL HOSE		1
537 04 24-12	FUEL HOSE		1
537 05 23-01	FUEL HOSE		1
537 18 49-01	O-RING		1
537 32 75-01	FUEL TANK		1

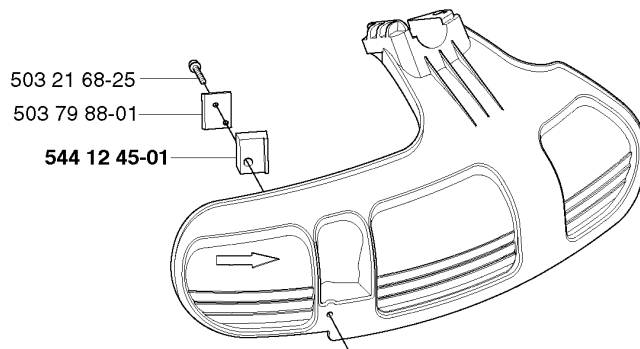
U *compl 537 38 77-01 (333R, 335Rx)



*compl 537 33 16-01 (333R, 335Rx)
 **compl 537 33 16-03 (333RJ, 335Lx, 335RJx)



*compl 537 34 94-03

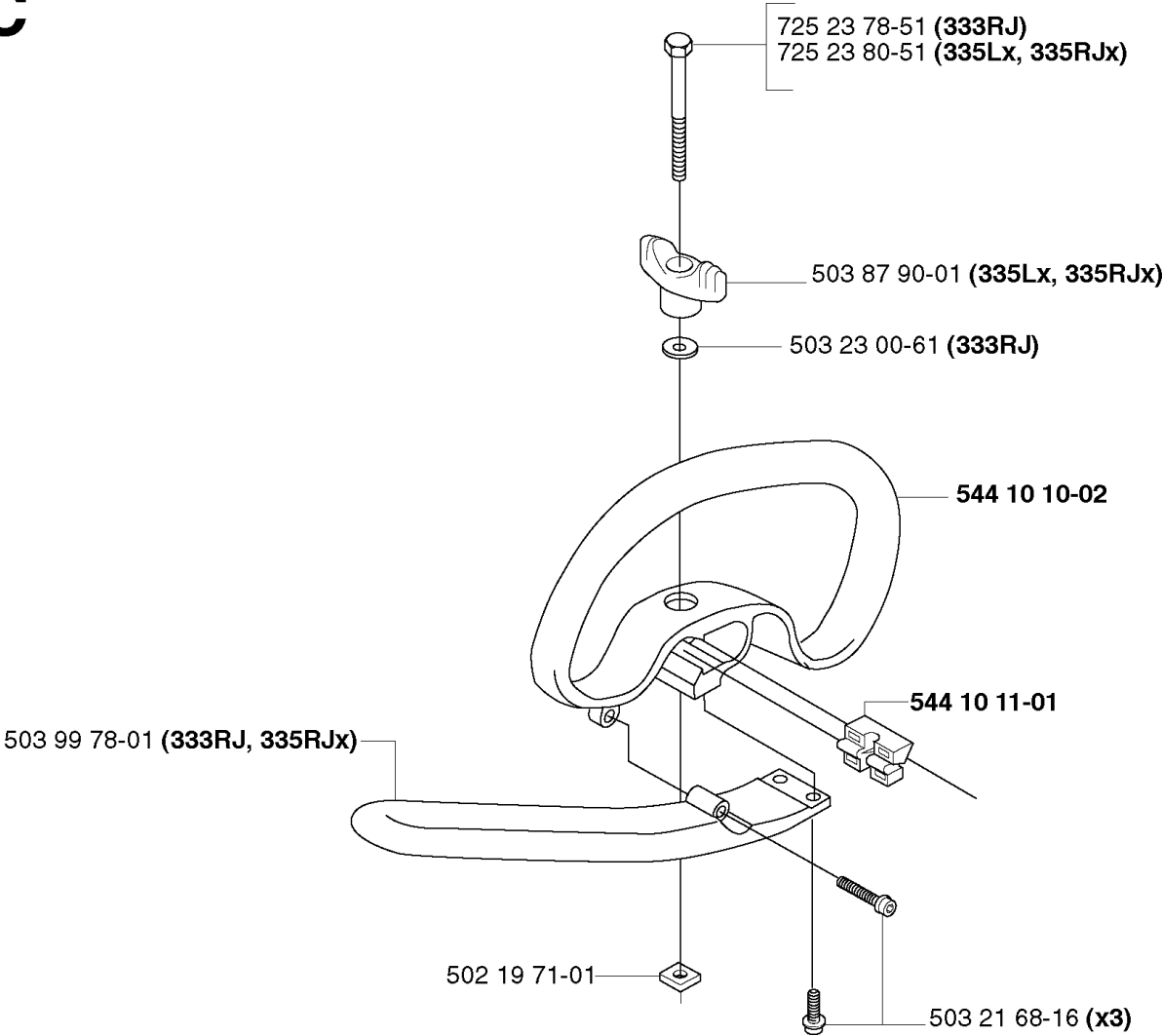


GUARDS

333 R, 2006-10

Part No	Description	Remark	QTY KIT
503 20 02-16	SCREW IHSCFM		1
503 21 07-16	SCREW IHSCF		1
503 21 68-25	SCREW IHSCFT		1
503 79 88-01	BLADE		1
537 21 71-04	BLADE GUARD		1
537 33 16-01	COMBI GUARD		1
537 33 16-03	SPLASH GUARD		1
537 34 94-03	TRIMMER GUARD		1
537 36 10-01	ADAPTER		1
537 36 11-01	CLAMP		1
537 38 72-01	SNAP		4
537 38 77-01	BLADE GUARD		1
537 39 63-01	SPLASH GUARD		1
537 39 63-03	SPLASH GUARD		1
544 12 45-01	RETAINER		1

C

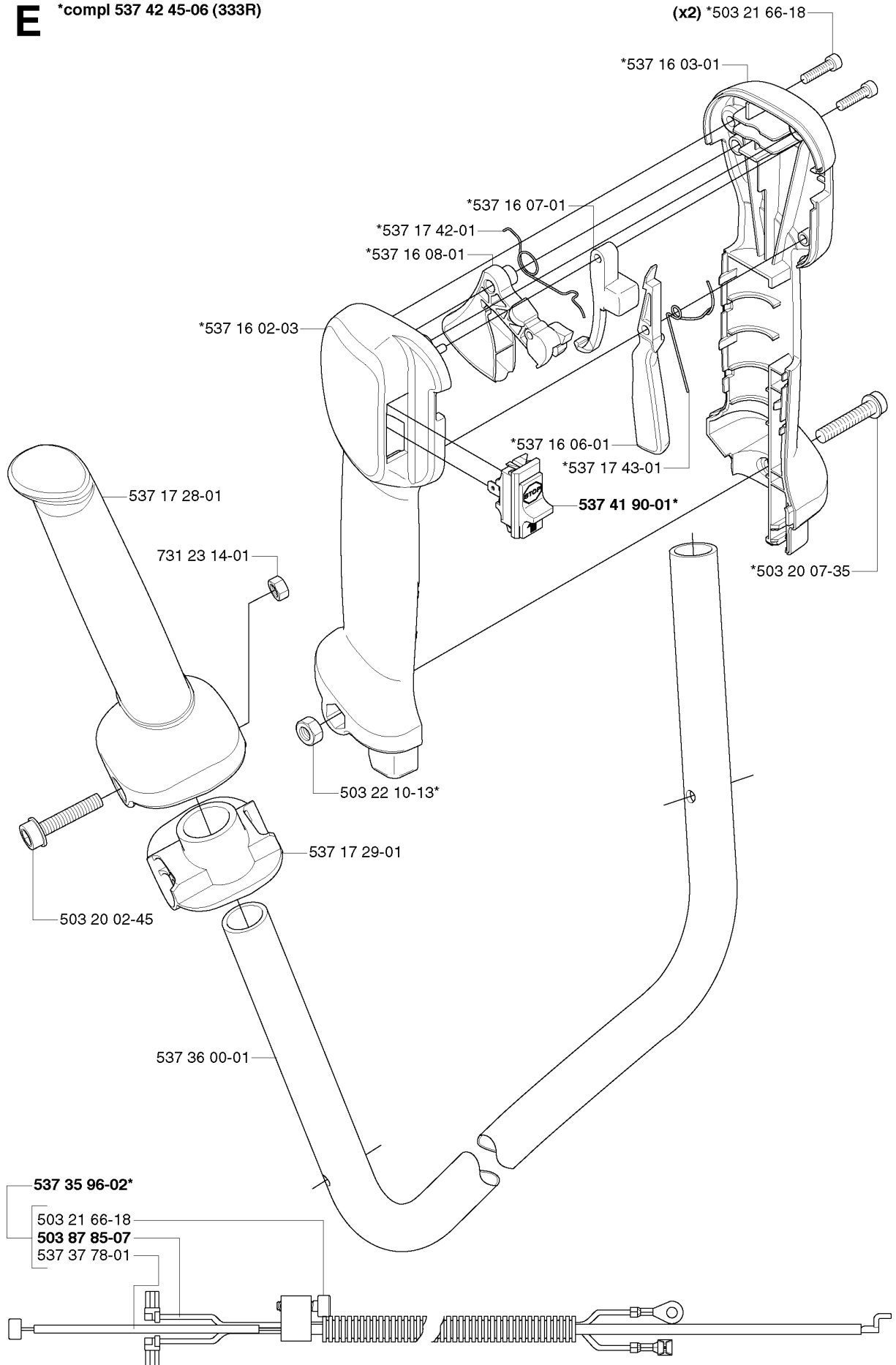


HANDLE

333 R, 2006-10

Part No	Description	Remark	QTY KIT
502 19 71-01	SQUARE NUT		1
503 21 68-16	SCREW IHST		3
503 23 00-61	WASHER		1
503 87 90-01	KNOB		1
503 99 78-01	HANDLE		1
544 10 10-02	HANDLE LOOP		1
544 10 11-01	BLOCK.SPACING		1
725 23 78-51	SCREW EHHM		1
725 23 80-51	SCREW EHHM		1

E *compl 537 42 45-06 (333R)

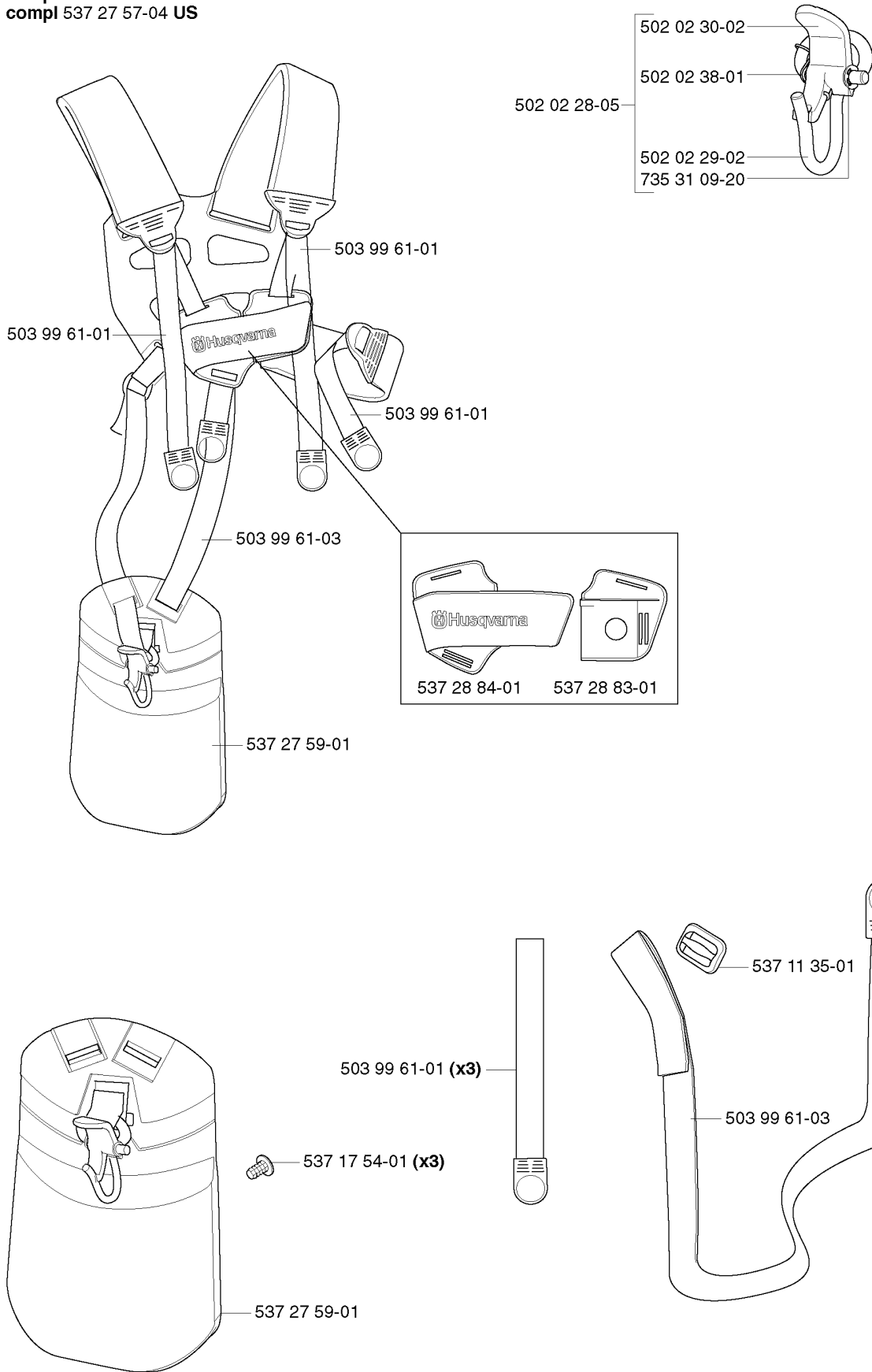


HANDLE & CONTROLS

333 R, 2006-10

Part No	Description	Remark	QTY KIT
503 20 02-45	SCREW IHSCFM		1
503 20 07-35	SCREW IHSCFM		1
503 21 66-18	SCREW IHSCF		1
503 21 66-18	SCREW IHSCF		2
503 22 10-13	HEXAGON NUT		1
503 87 85-07	SHORT CIRCUIT CABLE		1
537 16 02-03	HANDLE HALF		1
537 16 03-01	HANDLE HALF		1
537 16 06-01	THROTTLE LOCKOUT		1
537 16 07-01	STARTER THROTTLE LOC		1
537 16 08-01	THROTTLE TRIGGER		1
537 17 28-01	HANDLE		1
537 17 29-01	COVER		1
537 17 42-01	SPRING THROTTLE TRIG		1
537 17 43-01	SPRING		1
537 35 96-02	WIRING ASSY		1
537 36 00-01	HANDLEBAR		1
537 37 78-01	THROTTLE WIRE ASSY		1
537 41 90-01	SWITCH		1
537 42 45-06	HANDLE SYSTEM		1
731 23 14-01	HEXAGON NUT		1

X Duo Balance
compl 537 27 57-02
compl 537 27 57-04 US

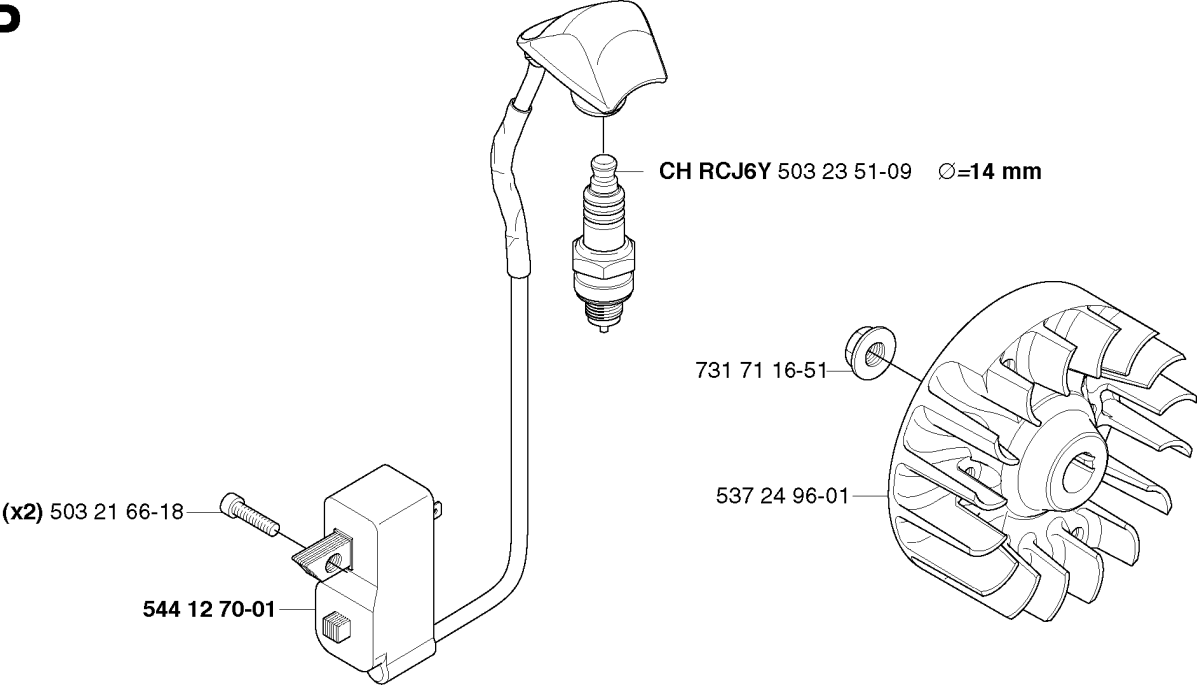


HARNESS

333 R, 2006-10

Part No	Description	Remark	QTY KIT
502 02 28-05	WELT HOOK		1
502 02 29-02	HARNESS		1
502 02 30-02	HARNESS		1
502 02 38-01	HARNESS		1
503 99 61-01	HARNESS		1
503 99 61-01	HARNESS		3
503 99 61-01	HARNESS		1
503 99 61-01	HARNESS		1
503 99 61-03	BAND		1
503 99 61-03	BAND		1
537 11 35-01	RETAINER		1
537 17 54-01	HARNESS		3
537 27 57-02	HARNESS		1
537 27 57-04	HARNESS		1
537 27 59-01	HIP PAD		1
537 27 59-01	HIP PAD		1
537 28 83-01	FRONT PIECE		1
537 28 84-01	FRONT PIECE		1
735 31 09-20	HARNESS		1

P



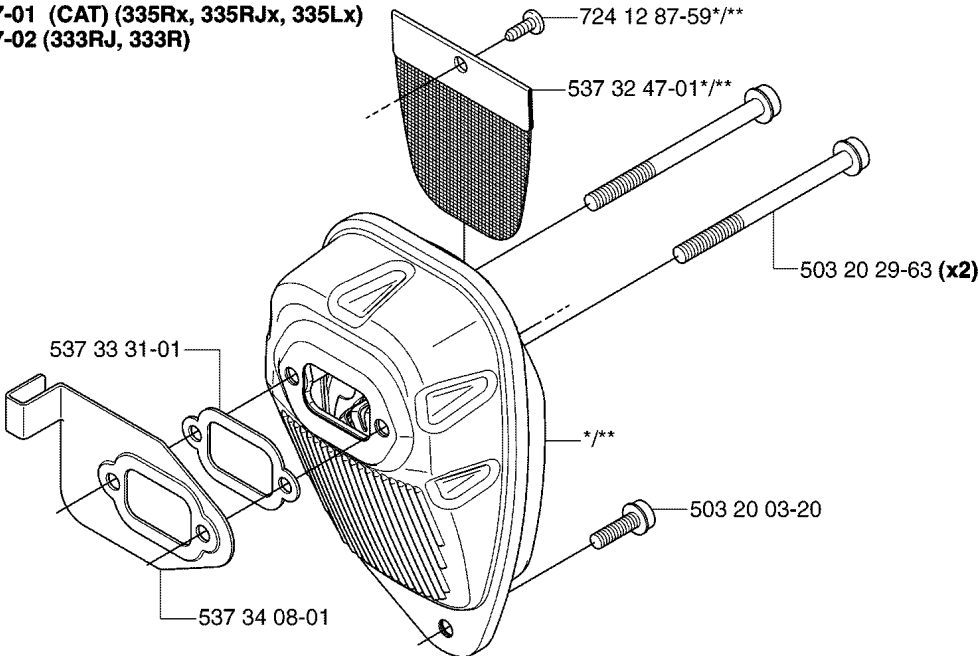
IGNITION SYSTEM

333 R, 2006-10

Part No	Description	Remark	QTY KIT
503 21 66-18	SCREW IHST		2
503 23 51-09	SPARK PLUG		1
537 24 96-01	FLYWHEEL		1
544 12 70-01	IGNITION MODULE		1
731 71 16-51	HEXAGON NUT FLANGE		1

K *compl 544 11 67-01 (CAT) (335Rx, 335Rjx, 335Lx)

**compl 544 11 67-02 (333RJ, 333R)

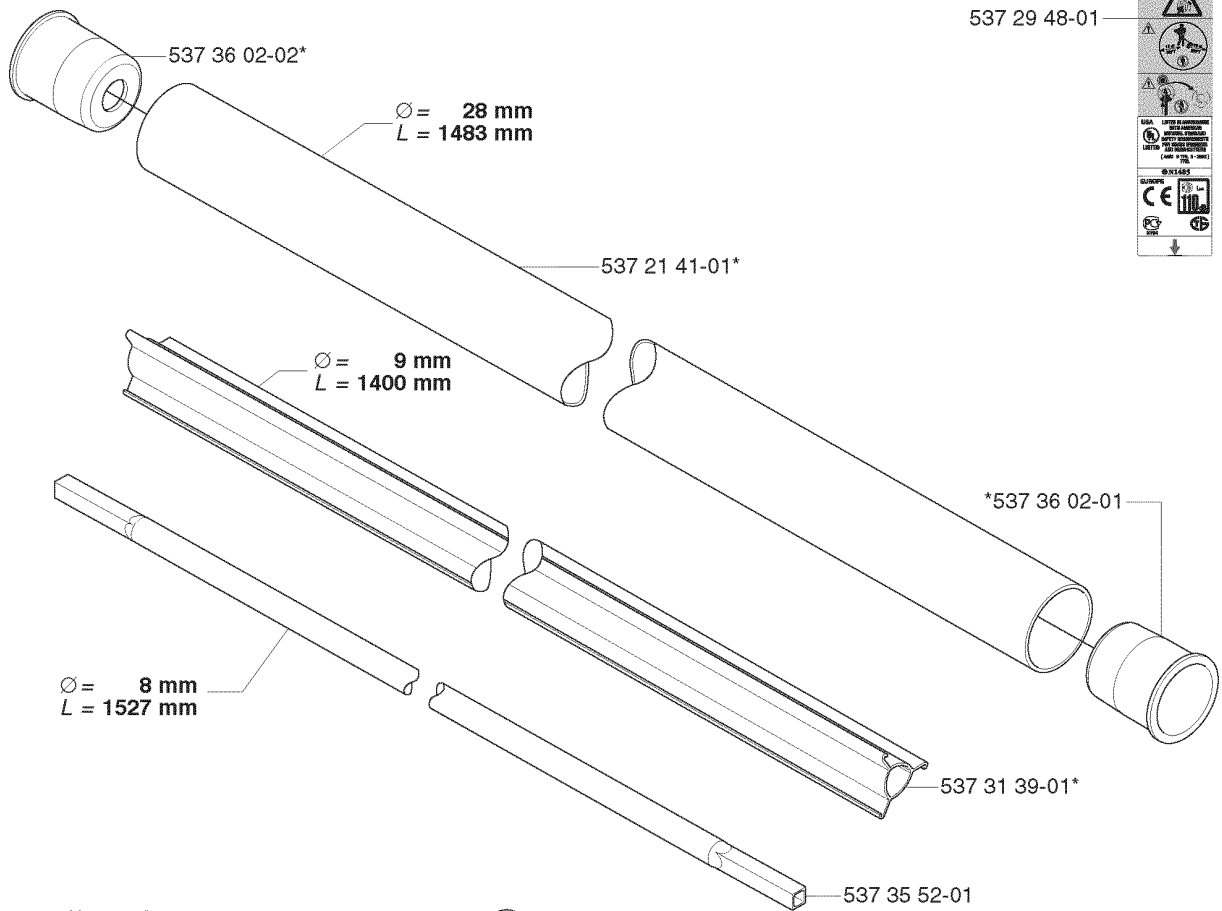


MUFFLER

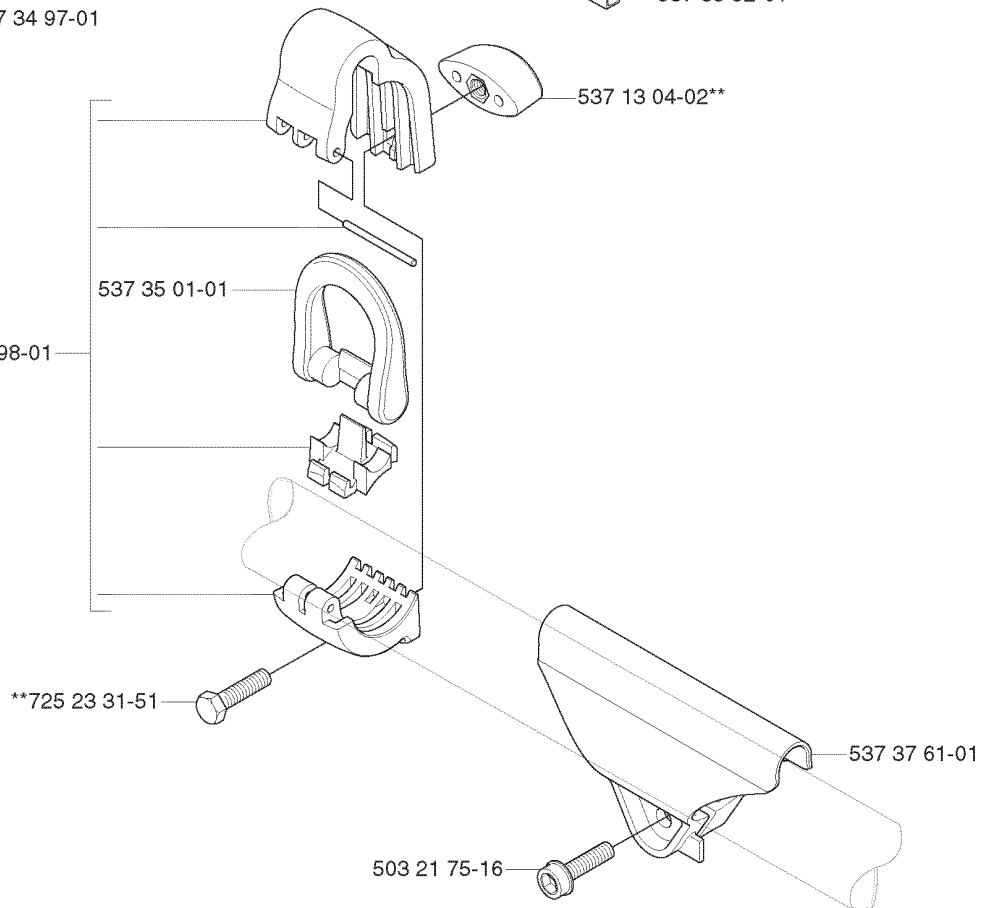
333 R, 2006-10

Part No	Description	Remark	QTY KIT
503 20 03-20	SCREW IHSCFM		1
503 20 29-63	SCREW IHSCFM		2
537 32 47-01	SPARK ARRESTER SCREEN		1
537 33 31-01	GASKET		1
537 34 08-01	AIR CONDUCTOR		1
544 11 67-01	MUFFLER ASSY		1
544 11 67-02	MUFFLER ASSY		1
724 12 87-59	SCREW CRPANM		1

B *compl 537 21 42-01(333R, 335Rx)



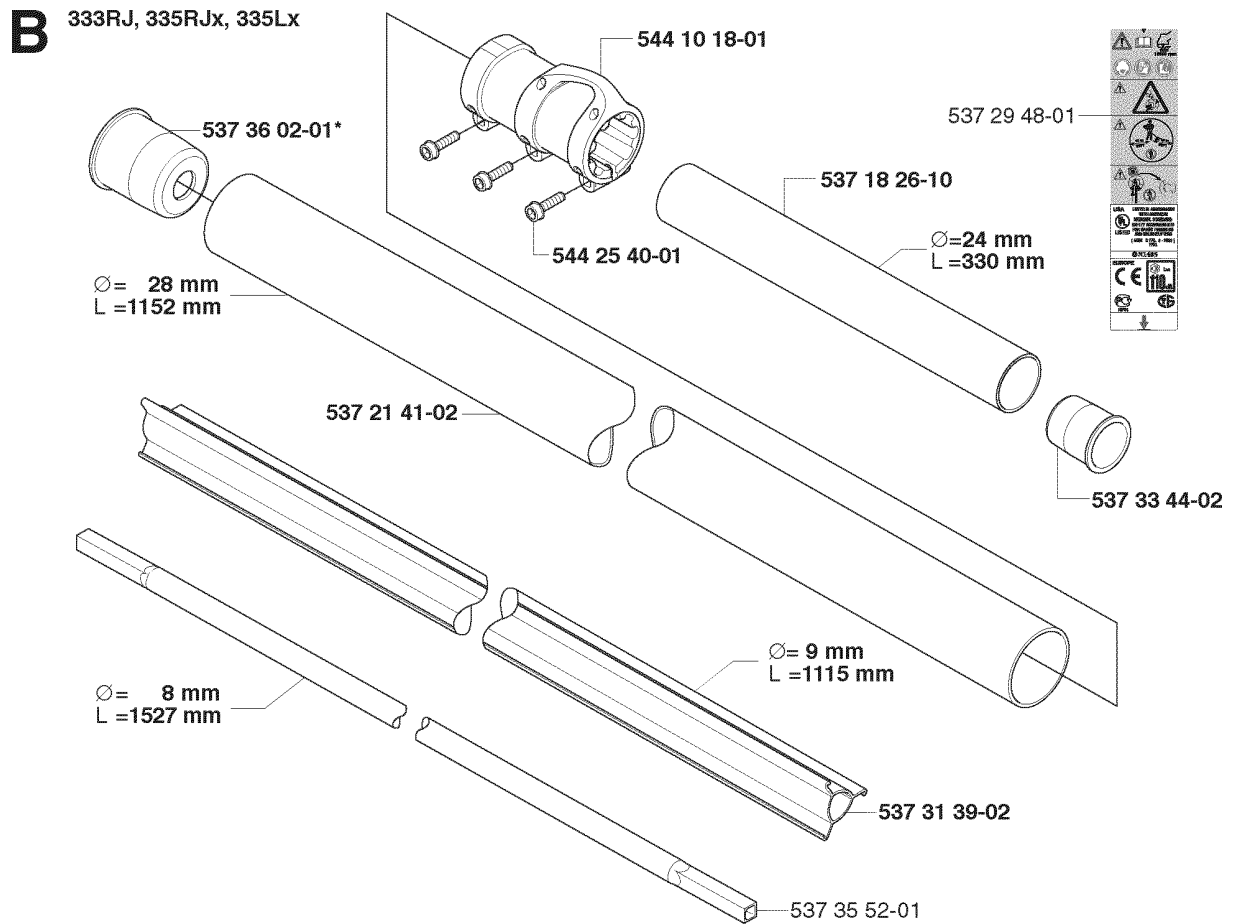
**compl 537 34 97-01



SHAFT

333 R, 2006-10

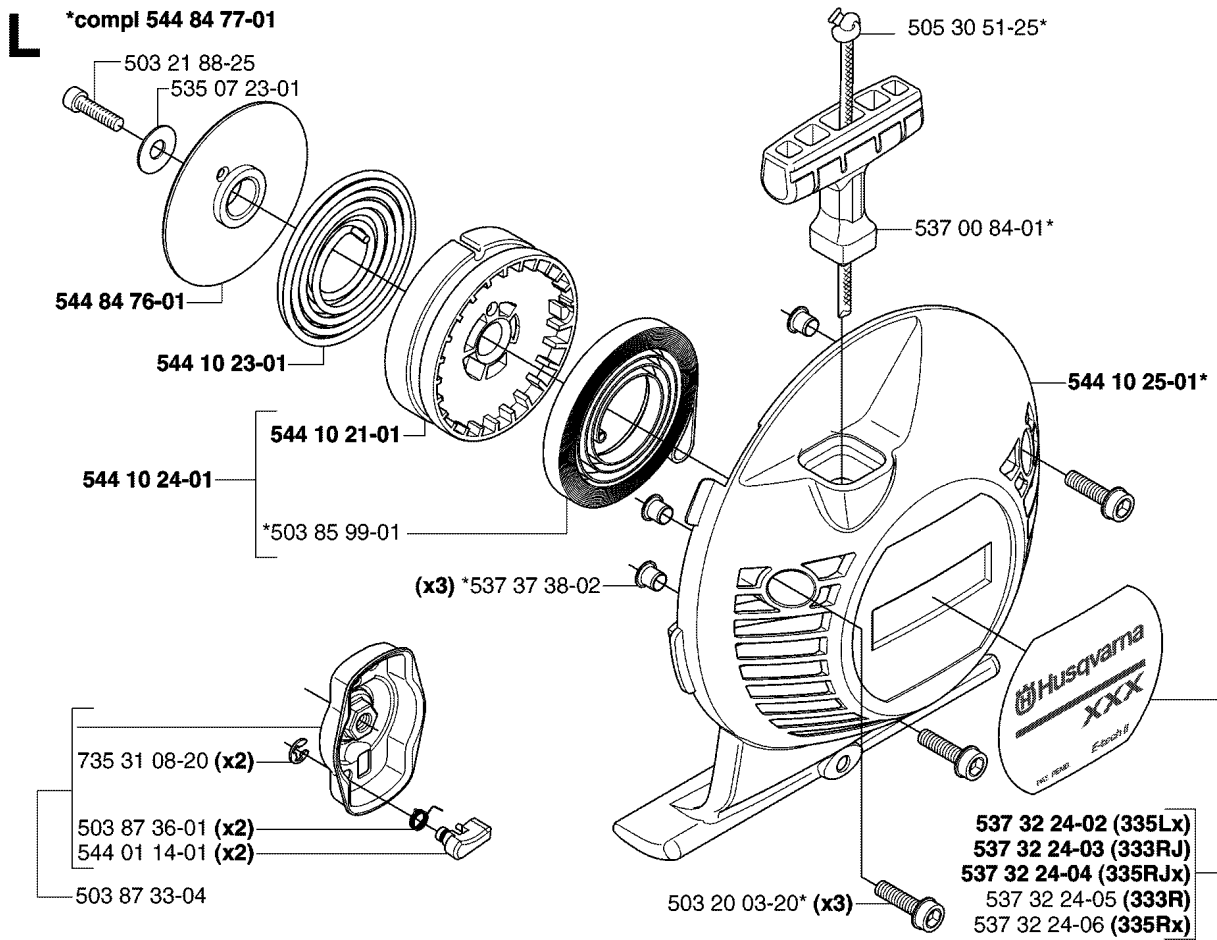
Part No	Description	Remark	QTY KIT
503 21 75-16	SCREW IHSCFT		1
537 13 04-02	KNOB		1
537 21 41-01	TUBE		1
537 21 42-01	TUBE		1
537 29 48-01	LABEL		1
537 31 39-01	GUIDE		1
537 34 97-01	LOOP		1
537 34 98-01	LOOP		1
537 35 01-01	LOOP		1
537 35 52-01	DRIVE SHAFT		1
537 36 02-01	SPACER		1
537 36 02-02	SPACER		1
537 37 61-01	WIRING		1
725 23 31-51	SCREW		1



SHAFT

333 R, 2006-10

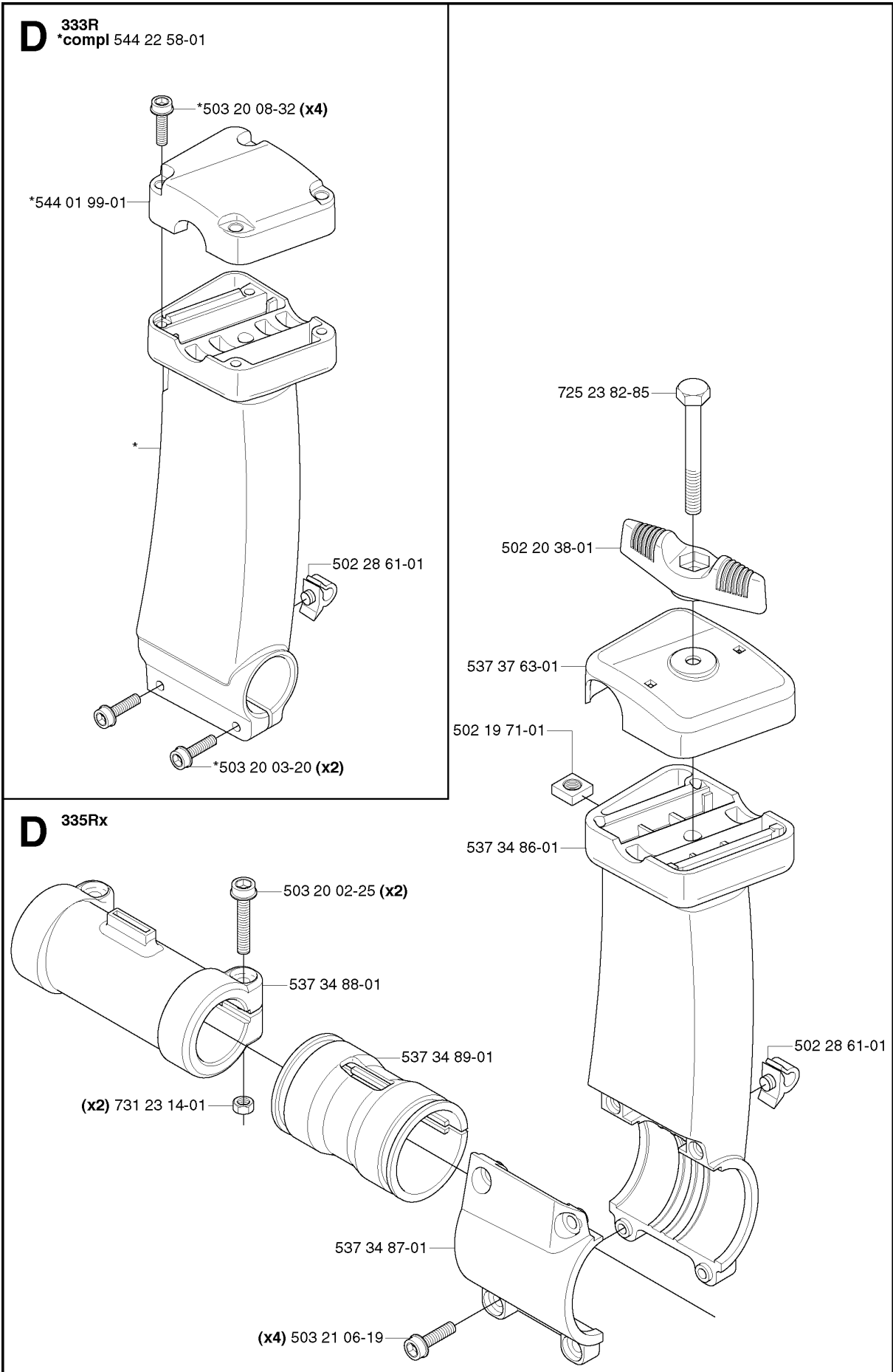
Part No	Description	Remark	QTY KIT
537 18 26-10	TUBE		1
537 21 41-02	TUBE		1
537 29 48-01	LABEL		1
537 31 39-02	GUIDE		1
537 33 44-02	SPACER		1
537 35 52-01	DRIVE SHAFT		1
537 36 02-01	SPACER		1
544 10 18-01	SLEEVE		1
544 25 40-01	SCREW		1



STARTER

333 R, 2006-10

Part No	Description	Remark	QTY KIT
503 20 03-20	SCREW IHSCFM		3
503 21 88-25	SCREW IHSCFT		1
503 85 99-01	RECOIL SPRING		1
503 87 33-04	STARTER PAWL BRIDGE		1
503 87 36-01	SPRING		2
505 30 51-25	STARTER CORD		1
535 07 23-01	WASHER		1
537 00 84-01	STARTER HANDLE		1
537 32 24-02	LABEL		1
537 32 24-03	LABEL		1
537 32 24-04	LABEL		1
537 32 24-05	LABEL		1
537 32 24-06	LABEL		1
537 37 38-02	TUBULAR RIVET		3
544 01 14-01	STARTER PAWL		2
544 10 21-01	STARTER PULLEY		1
544 10 23-01	SPRING		1
544 10 24-01	STARTER PULLEY ASSY		1
544 10 25-01	STARTER		1
544 84 76-01	DRIVER		1
544 84 77-01	STARTER ASSY		1
735 31 08-20	E-CLIP		2



TOWER

333 R, 2006-10

Part No	Description	Remark	QTY KIT
502 19 71-01	SQUARE NUT		1
502 20 38-01	KNOB		1
502 28 61-01	CLIP		1
502 28 61-01	CLIP		1
503 20 02-25	SCREW IHSCFM		2
503 20 03-20	SCREW IHSCFM		2
503 20 08-32	SCREW IHSCM		4
503 21 06-19	SCREW IHST		4
537 34 86-01	BRACKET		1
537 34 87-01	HUB CAP		1
537 34 88-01	COMPRESSION SLEEVE		1
537 34 89-01	ANTIVIBRATION ELEMENT		1
537 37 63-01	COVER		1
544 01 99-01	HANDLEBAR BRACKET		1
544 22 58-01	HANDLEBAR BRACKET		1
725 23 82-85	SCREW EHHM		1
731 23 14-01	HEXAGON NUT		2