

IPL, Flail Mower, 2006-01, 106 39 63-61

T-60360, 953 52 84-01

Flail Mower

Spare parts

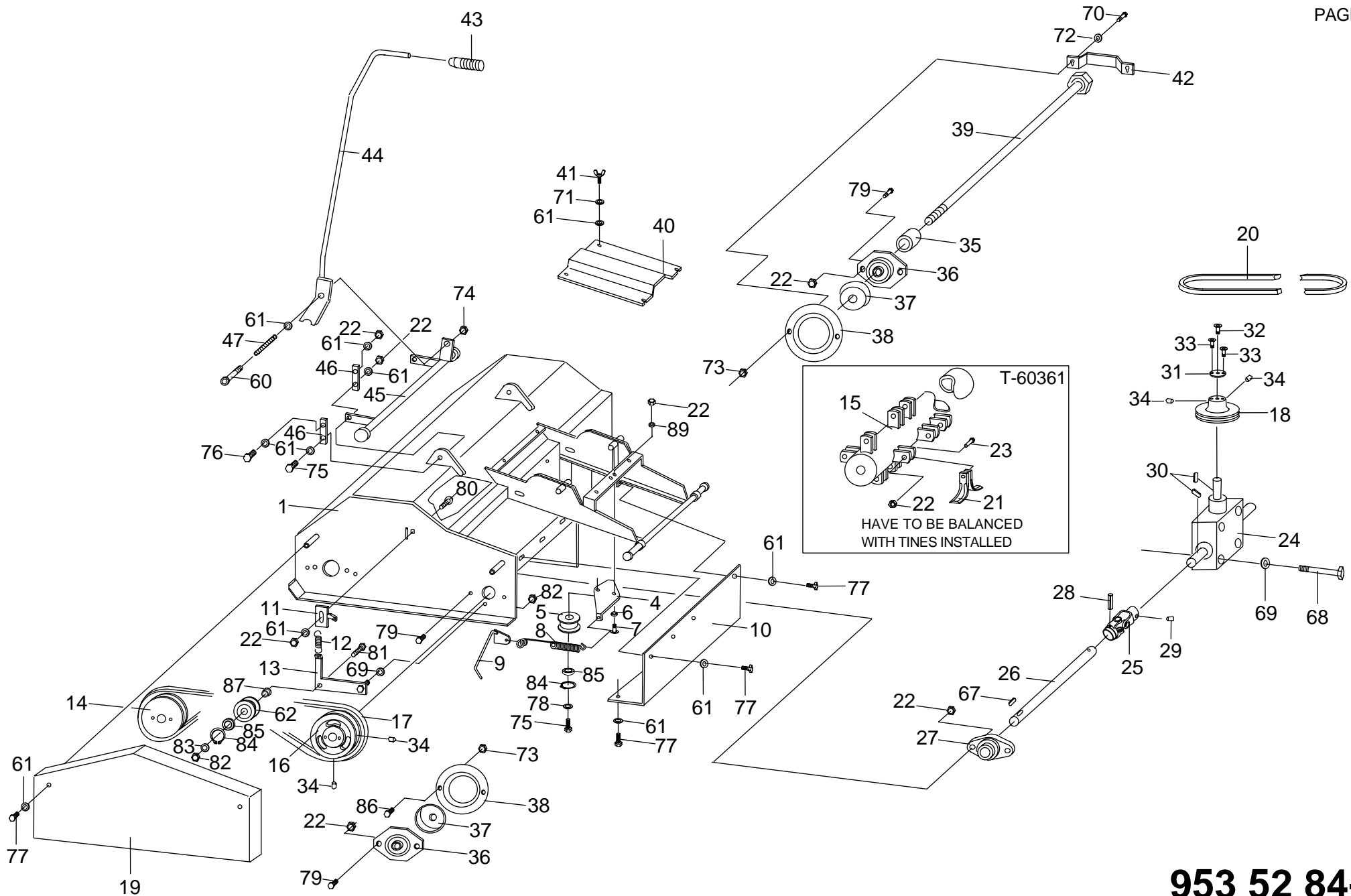
Ersatzteile

Pièces détachées

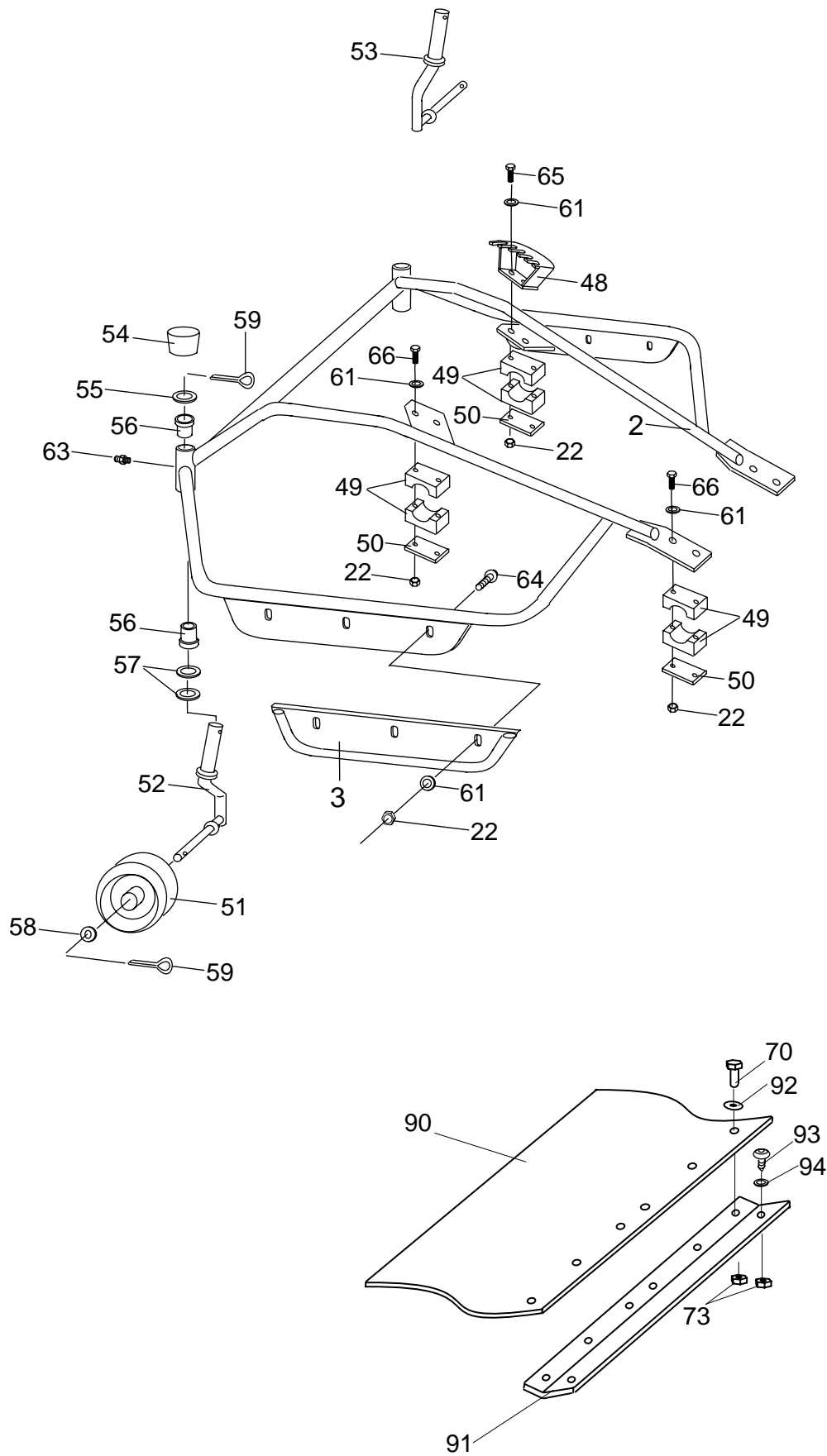
Reserve onderdelen

Repuestos

Reservdelar



953 52 84-01
T-60360



953 52 84-01
T-60360

953 52 84-01 Flail Mower, Husqvarna Pro Flex

Pos	Part number	Part name	Qty	Pos	Part number	Part name	Qty
1	535 41 50-47	Frame	1	54	535 41 50-80	Dust Cap	2
2	535 41 50-52	Frame	1	55	535 41 50-81	Washer	2
3	535 41 50-53	Side Plate	2	56	535 41 50-82	Lager	4
4	506 51 95-02	Mounting Plate	1	57	531 00 52-25	Washer	4
5	506 92 89-01	Tight Pulley	1	58	531 02 12-24	Washer	2
6	506 91 87-01	Washer	1	59	535 41 50-83	Pin, Split	4
7	535 41 50-41	Screw	1	60	535 41 50-84	Screw	1
8	506 77 91-01	Spring	1	61	531 02 11-84	Washer	31
9	535 41 50-54	Tightener, Spring	1	62	535 41 50-85	Tight Pulley	1
10	535 41 50-55	Guard Plate	1	63	535 41 50-86	Nipple, Crease	2
11	535 41 50-56	Weldment	1	64	535 41 50-43	Screw, Lock	6
12	535 41 50-57	Spring	1	65	535 41 50-87	Screw	2
13	535 41 50-58	Arm	1	66	535 41 50-88	Screw	6
14	535 41 50-59	Pulley	1	67	531 00 52-20	Key	1
15	535 41 50-60	Shaft	1	68	535 41 50-89	Screw	4
16	535 41 50-61	Pulley	1	69	531 02 11-37	Washer	5
17	535 41 50-48	V-Belt	1	70	535 41 50-36	Screw	8
18	535 41 50-37	Pulley	1	71	535 41 50-90	Washer, Spring	4
19	535 41 50-62	Belt Guard	1	72	535 41 50-11	Washer	2
20	531 00 60-96	V-Belt	1	73	531 02 11-98	Nut, Lock	12
21	535 41 50-63	Tine	112	74	531 02 11-32	Nut	1
22	531 02 12-19	Nut, Lock	83	75	531 02 12-59	Screw	3
23	531 02 11-99	Screw	56	76	535 41 50-91	Screw	2
24	535 41 50-26	Gear Box, 1:1	1	77	531 02 11-44	Screw	9
25	535 41 50-25	Universal Joint	1	78	535 41 50-92	Washer	1
26	535 41 50-64	Drive Shaft	1	79	531 02 11-46	Screw	6
27	531 00 51-81	Bearing	1	80	531 00 52-66	Screw, Lock	1
28	531 02 11-70	Pin, Spring	1	81	535 41 50-93	Screw	1
29	535 41 50-29	Set Screw	1	82	531 02 11-30	Nut, Lock	2
30	535 41 50-28	Key	2	83	535 41 50-94	Washer	1
31	535 41 50-39	Tightener, Pulley	1	84	531 00 51-98	Circlip	2
32	725 64 53-01	Screw	1	85	531 02 11-38	Bearing	2
33	535 41 50-40	Screw	2	86	531 02 11-96	Screw	2
34	531 02 11-69	Set Screw	4	87	535 41 50-95	Collar	1
35	535 41 50-65	Collar	1	88	535 41 50-49	Decal, Husqvarna	2
36	535 41 50-66	Bearing	2	89	531 02 12-16	Washer	1
37	535 41 50-67	Guard	2	90	535 46 66-04	Rubber	1
38	535 41 50-68	Guard Plate	2	91	535 46 66-05	Frame	1
39	535 41 50-69	Screw, Special	1	92	531 02 11-97	Washer	6
40	535 41 50-70	Guard, Gear Box	1	93	506 98 26-01	Screw, special	2
41	535 41 50-71	Screw, Wing	4	94	506 55 97-01	Washer	2
42	535 41 50-72	Guard	1				
43	506 54 20-01	Grip	1				
44	535 41 50-73	Rod	1				
45	535 41 50-74	Rod, Lift	1				
46	535 41 50-75	Mounting Plate,left	4				
47	535 41 50-76	Spring	1				
48	535 41 50-77	Segment	1				
49	506 86 96-01	Plastic part	8				
50	506 81 38-01	Mounting Plate	4				
51	506 96 30-01	Support Wheel	2				
52	535 41 50-78	Weldment	1				
53	535 41 50-79	Weldment	1				