

R53SVW

Spare parts

Ersatzteile

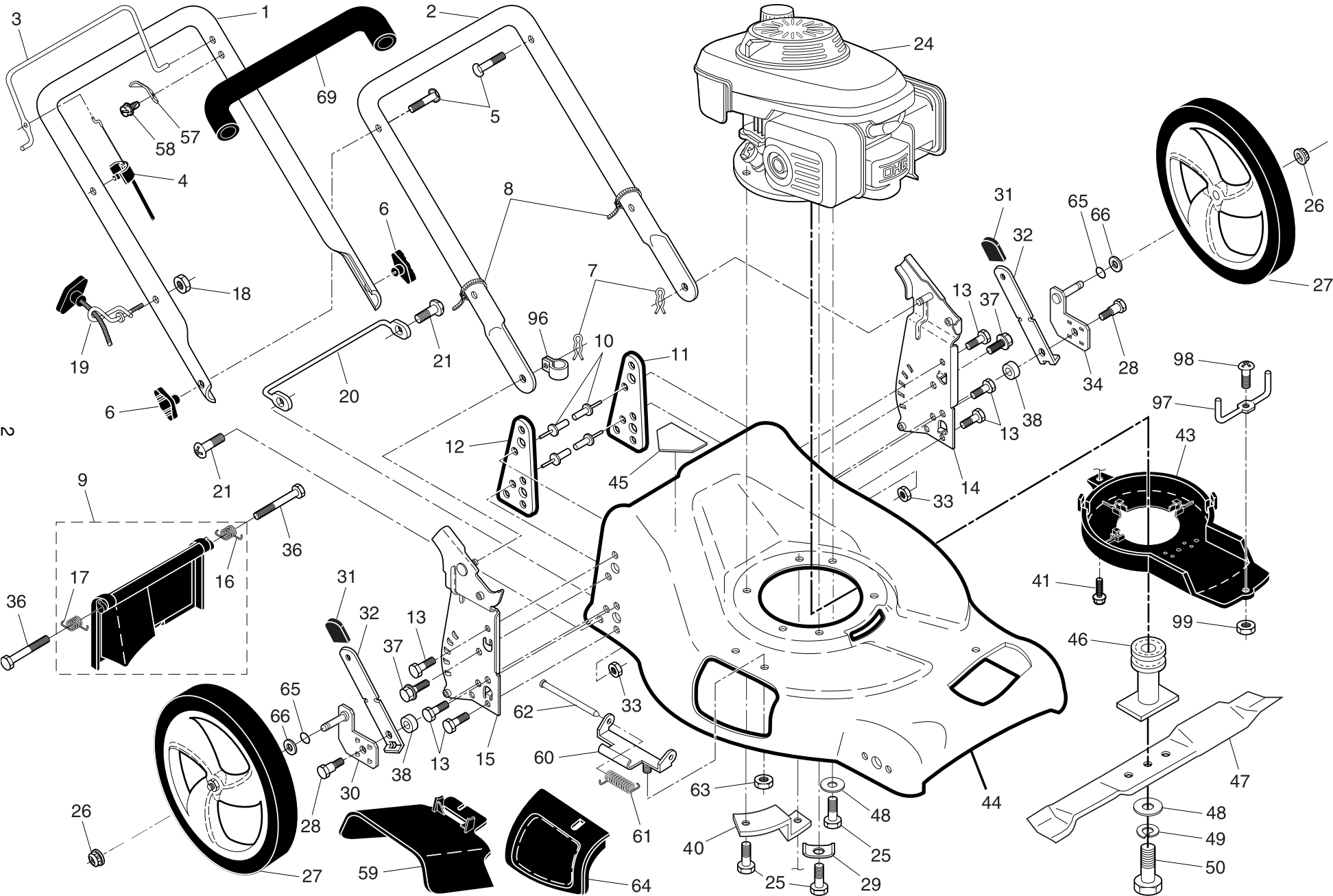
Pièces détachées

Reserve onderdelen

Repuestos

Reservdelar

ROTARY LAWN MOWER - - CUSTOMER MODEL NUMBER R53SVW (96141005800) PRODUCT NO. 961 41 00-58

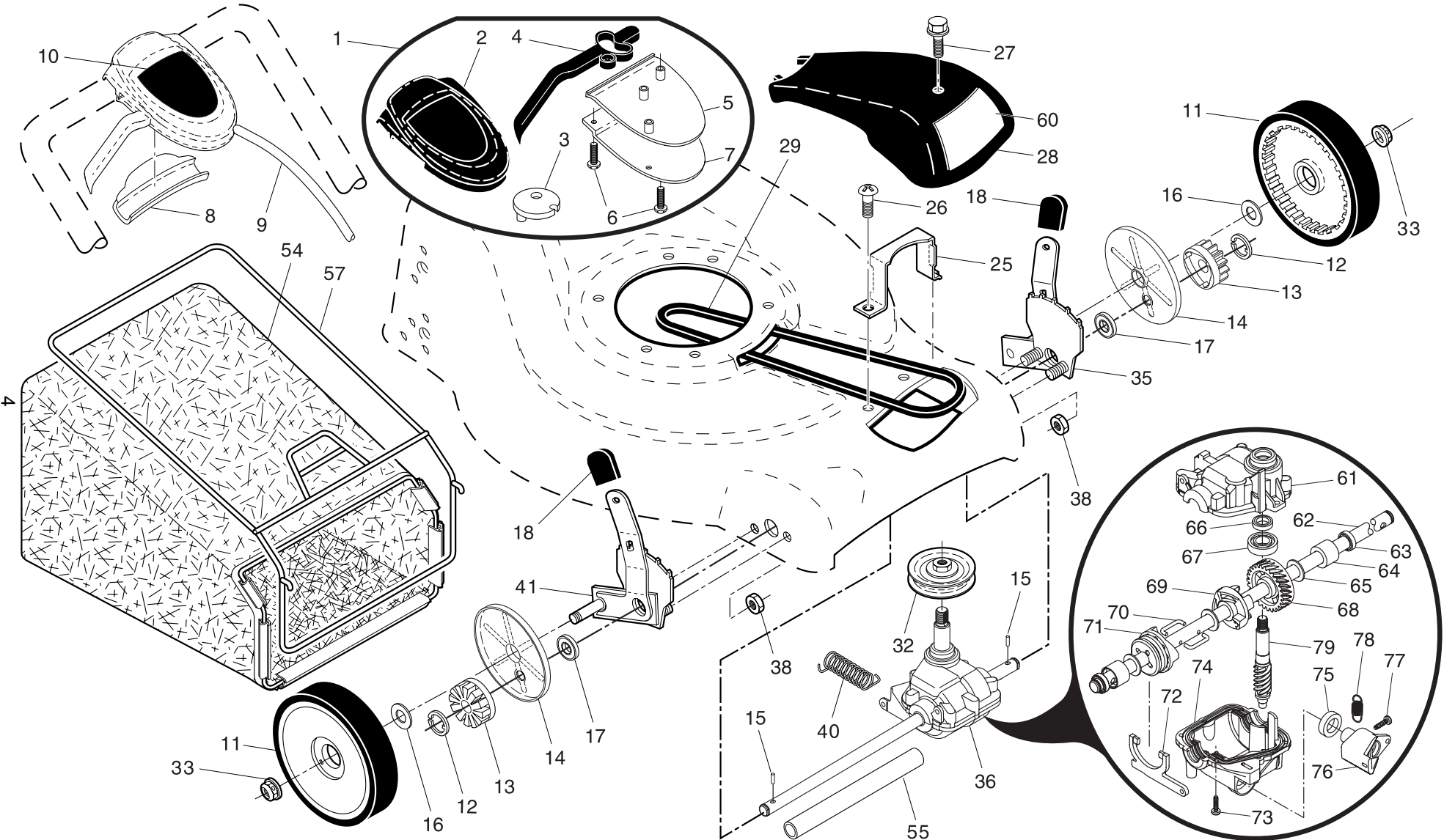


ROTARY LAWN MOWER - - CUSTOMER MODEL NUMBER **R53SVW** (96141005800) PRODUCT NO. 961 41 00-58

KEY NO.	PART NO.	DESCRIPTION	KEY NO.	PART NO.	DESCRIPTION
1	532 19 64-03	Upper Handle (Includes Foam Grip)	34	532 40 25-72	Axle Arm Assembly, LH
2	532 15 34-18	Lower Handle	36	532 18 41-93	Bolt
3	532 19 70-19	Control Bar	37	532 15 00-78	Thread Cutting Screw w/Sems 5/16-18 x 3/4
4	532 18 35-67	Engine Zone Control Cable	38	819 11 22-06	Washer
5	532 19 15-74	Handle Bolt	40	532 19 09-39	Mounting Bracket, Debris Shield
6	532 19 19-38	Handle Knob	41	532 19 23-25	Screw
7	532 05 17-93	Hairpin Cotter	43	532 19 89-10	Debris Shield
8	532 06 64-26	Wire Tie	44	532 40 07-27	Kit, Lawn Mower Housing (Includes Key Numbers 10, 11, 12 and 45)
9	532 18 04-79	Kit, Rear Door (Includes Key #16 and 17)	45	532 18 21-66	Danger Decal
10	532 12 84-15	Pop Rivet	46	532 19 77-52	Blade Adapter / Pulley
11	532 18 25-38	Support Bracket, LH	47	532 19 93-77	Blade, 21"
12	532 18 25-39	Support Bracket, RH	48	532 85 10-74	Hardened Washer
13	817 06 04-10	Screw 1/4-20 x 5/8	49	532 85 02-63	Helical Washer 3/8-24 x 1-3/8 Grade 8
14	532 19 60-37	Handle Bracket Assembly, LH	50	532 85 10-84	Hex Head Machine Screw 3/8-24 x 1-3/8 Grade 8
15	532 19 60-36	Handle Bracket Assembly, RH	57	532 12 51-62	Upstop Bracket
16	532 18 00-71	Spring, LH	58	532 75 06-34	Screw
17	532 18 00-72	Spring, RH	59	532 18 55-82	Discharge Deflector
18	532 13 20-04	Keps Locknut 1/4-20	60	532 17 57-35	Hinge Bracket
19	532 19 47-88	Rope Guide	61	532 19 30-00	Spring
20	532 17 92-05	Foot Guard, C.E.	62	532 17 56-50	Hinge Rod
21	532 05 45-83	Screw, Tapping 1/4-20 x 1/2	63	873 80 04-00	Nut, Hex
24	- - -	Engine, Honda, Model Number GCV160 (order parts from engine manufacturer)	64	532 18 55-76	Mulcher Door
25	532 15 04-06	Hex Head Thread Rolling Screw 3/8-16 x 1-1/8	65	532 19 74-80	O-Ring
26	532 14 52-12	Hex Flange Nut	66	532 08 83-48	Washer, Flat 1/2
27	532 40 25-95	Wheel & Tire Assembly, Rear	69	532 18 27-48	Grip, Foam
28	532 16 08-28	Shoulder Bolt 5/16-18 x .33	96	532 19 79-91	Clip, Cable
29	532 12 50-78	Washer, Engine, Zinc-Plated	97	532 19 71-62	Belt Keeper
30	532 40 25-71	Axle Arm Assembly, RH	98	532 18 22-27	Screw
31	532 70 10-37	Selector Knob	99	532 18 22-28	Nut, Hex
32	532 19 01-57	Selector Spring	--	532 40 01-20	Operator's Manual, European
33	873 80 05-00	Nut, Hex 5/16-18	--	532 40 01-21	Operator's Manual, Scandinavian

NOTE: All component dimensions given in U.S. inches. 1 inch = 25.4 mm. **IMPORTANT:** Use only Original Equipment Manufacturer (O.E.M.) replacement parts. Failure to do so could be hazardous, damage your lawn mower and void your warranty.

ROTARY LAWN MOWER - - CUSTOMER MODEL NUMBER R53SVW (96141005800) PRODUCT NO. 961 41 00-58



ROTARY LAWN MOWER - - CUSTOMER MODEL NUMBER R53SVW (96141005800) PRODUCT NO. 961 41 00-58

KEY NO.	PART NO.	DESCRIPTION	KEY NO.	PART NO.	DESCRIPTION
1	532 19 62-70	Drive Control Assembly (Includes Cable)	36	532 18 82-96	Gearcase Assembly, Complete
2	532 19 57-61	Cover, Drive Control, Upper	38	873 80 04-00	Locknut, Hex 1/4-20
3	532 18 73-53	Pulley	40	532 19 28-49	Spring
4	532 19 55-85	Lever, Drive Control	41	532 19 51-07	Kit, Wheel Adjuster, RH (Includes Knob and Bearing)
5	532 19 57-44	Cover, Drive Control, Lower	54	532 40 19-03	Grassbag Assembly
6	532 18 16-98	Screw	55	532 17 57-39	Driveshaft Cover
7	532 40 07-23	Bracket, Drive	57	532 19 46-43	Frame, Grassbag
8	532 18 62-97	Cap, Drive	60	532 19 35-57	Decal, Drive Cover
9	532 19 71-95	Cable Assembly, Drive	61	532 19 68-86	Case, Upper
10	532 18 93-78	Decal, Drive	62	532 19 68-85	Shaft, Output
11	532 40 25-67	Wheel & Tire Assembly	63	532 18 35-08	Seal, Output Shaft
12	812 00 00-58	E-Ring	64	532 18 35-11	Bushing
13	532 75 00-03	Pinion	65	532 18 35-09	Washer
14	532 18 94-03	Dust Cover	66	532 18 35-14	Seal, Worm Shaft
15	532 19 10-17	Pawl, Drive	67	532 18 35-06	Bearing, Ball
16	532 06 77-25	Washer 1/2 x 1-1/2 x .134	68	532 18 34-99	Gear, 27 Teeth
17	532 19 10-39	Bearing, Wheel Adjuster	69	532 19 68-84	Fixed Dog Clutch
18	532 70 10-37	Selector Knob	70	532 18 35-05	Wireform
25	532 19 90-89	Belt Keeper	71	532 19 68-83	Movable Dog Clutch
26	532 15 00-78	Screw	72	532 19 68-82	Fork
27	532 17 52-62	Pan Head Tapping Screw #10-24 x 2-3/4	73	532 18 35-13	Screw, Case
28	532 18 55-79	Drive Cover	74	532 19 68-81	Case, Lower
29	532 19 68-53	V-Belt	75	532 19 68-80	Seal, Lever
32	532 19 40-18	Drive Pulley	76	532 19 68-79	Lever
33	532 08 39-23	Locknut, Hex	77	532 19 68-78	Screw, Lever
35	532 19 51-10	Kit, Wheel Adjuster, LH (Includes Knob and Bearing)	78	532 19 68-77	Spring
			79	532 18 35-02	Shaft, Worm

NOTE: All component dimensions given in U.S. inches. 1 inch = 25.4 mm. **IMPORTANT:** Use only Original Equipment Manufacturer (O.E.M.) replacement parts. Failure to do so could be hazardous, damage your lawn mower and void your warranty.