

# R52S

**Spare parts**  
**Ersatzteile**  
**Pièces détachées**  
**Reserve onderdelen**  
**Repuestos**  
**Reservdelar**

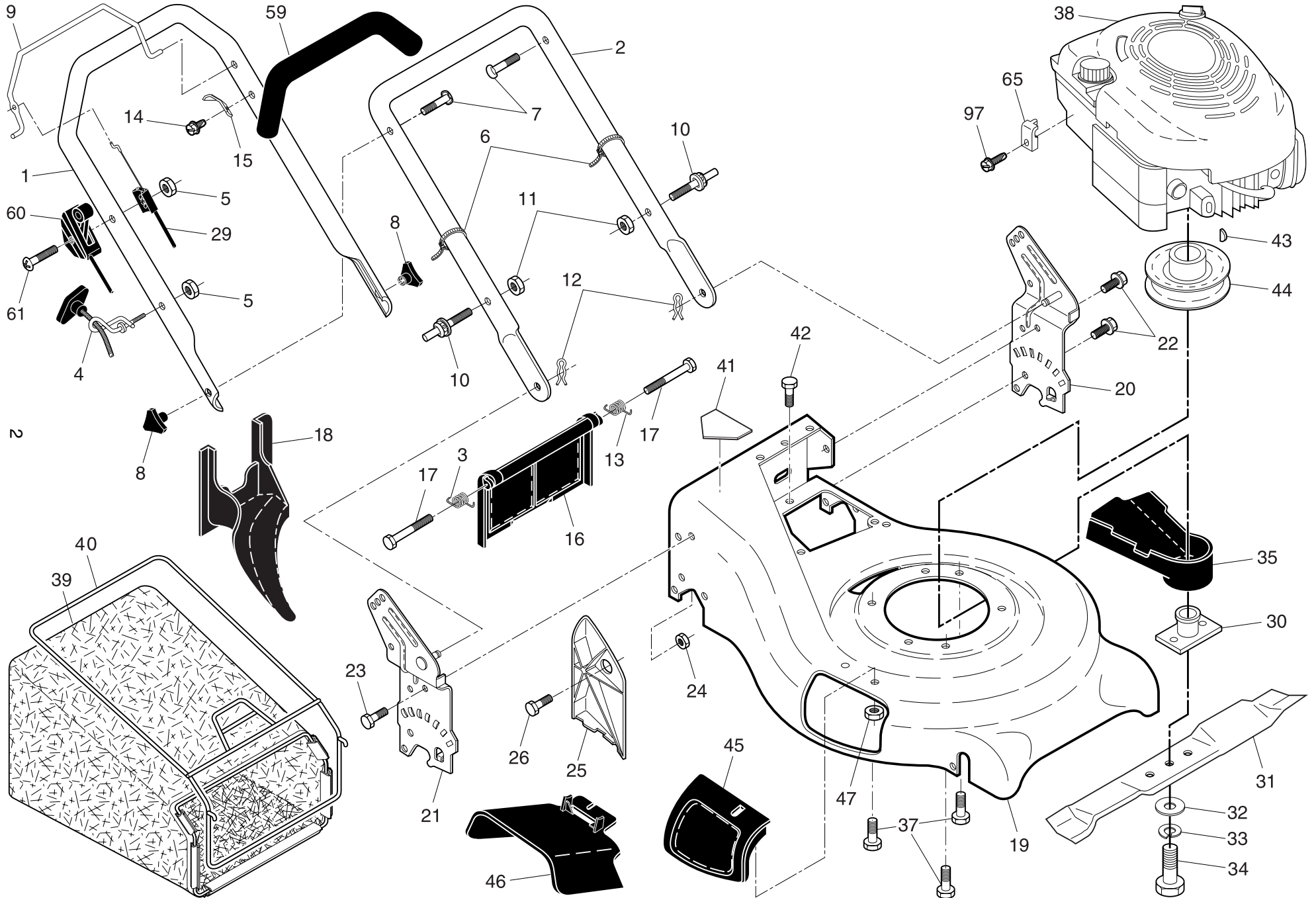
**ILLUSTRATED PARTS LIST**

**CUSTOMER MODEL NUMBER R52S**

**PRODUCT NUMBER 961 41 00-60**

**MFG. ID. NUMBER 96141006000**

# ROTARY LAWN MOWER - - MODEL NUMBER **R52S** (96141006000) PRODUCT NUMBER 961 41 00-60



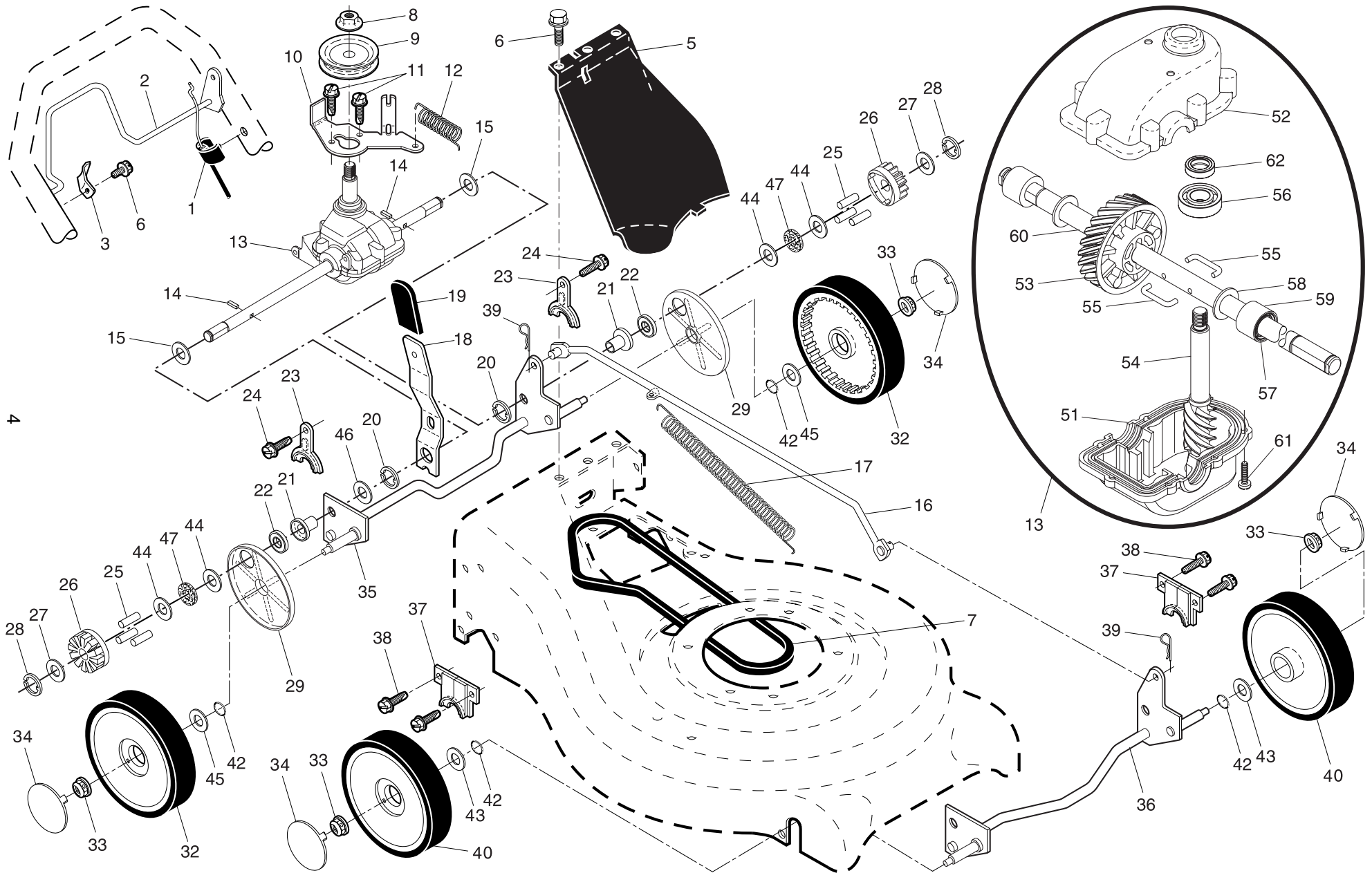
# ROTARY LAWN MOWER - - MODEL NUMBER R52S (96141006000) PRODUCT NUMBER 961 41 00-60

KEY NO.	PART NO.	DESCRIPTION	KEY NO.	PART NO.	DESCRIPTION
1	532 16 93-69	Handle, Upper, Deluxe Comfort (Includes Grip)	30	532 19 37-07	Adapter, Blade
2	532 19 72-02	Handle, Lower	31	532 19 93-77	Blade, 21"
3	532 18 60-53	Spring, Rear Door, RH	32	532 85 10-74	Washer, Hardened
4	532 19 47-88	Guide, Rope, Side	33	532 85 02-63	Lock Washer, Helical Spring 3/8
5	532 13 20-04	Nut, Hex, with Lock Washer Insert 1/4-20	34	532 85 10-84	Screw, Hex Head 3/8-24 x 1.38
6	532 06 64-26	Wire, Tie	35	532 18 91-85	Shield, Debris
7	532 19 15-74	Bolt, Handle 5/16-18 x 1.75	37	532 15 04-06	Bolt, Engine
8	532 08 76-92	Knob, Handle	38	- - -	Engine, Briggs & Stratton, Model Number 12H802 (Order parts from engine manufacturer)
9	532 19 18-19	Control Bar, Wire, Deluxe Comfort	39	532 40 20-18	Bag, Grass Catcher
10	532 18 88-21	Bolt, Carriage	40	532 19 46-44	Frame, Grass Bag
11	873 93 05-00	Nut, Hex, with Lock Washer Insert 5/16-18 UNC	41	532 18 21-66	Decal, Danger
12	532 05 17-93	Cotter, Hairpin	42	532 05 45-83	Self-Tapping Screw
13	532 18 60-52	Spring, Rear Door, LH	43	532 18 77-23	Key, Hi-Pro
14	532 75 06-34	Screw, Tapping, Hex Washer Head #10-24	44	532 18 49-41	Pulley, Engine
15	532 12 51-62	Bracket, Upstop	45	532 19 05-10	Mulcher Door Assembly
16	532 19 05-74	Rear Door	46	532 19 05-76	Clipping Deflector
17	532 18 41-93	Bolt, Rear Door	47	532 08 83-49	Nut, Hex
18	532 19 81-70	Plug, Mulcher	59	532 16 42-65	Grip, Handle, Foam, Smooth
19	532 40 08-05	Kit, Housing	60	532 18 21-54	Throttle Control
20	532 19 40-29	Handle Bracket Assembly, Left	61	532 18 33-65	Screw
21	532 19 40-31	Handle Bracket Assembly, Right	65	532 11 11-90	Cable Clamp
22	532 15 00-78	Screw, Hex Washer Head	97	532 08 38-16	Screw
23	532 16 31-83	Bolt, Hex Head 5/16-18 x 5/8	--	532 18 21-34	Warning Decal
24	873 80 05-00	Nut, Hex, with Lock Washer Insert 5/16-18	--	532 19 54-84	Operator's Manual, European
25	532 16 13-33	Baffle, Side	--	532 19 54-85	Operator's Manual, Scandinavian
26	532 16 34-09	Screw #12 x 5/8	--	532 19 95-43	Operator's Manual, East Bloc
29	532 13 31-07	Cable	--	532 19 95-42	Operator's Manual, Baltic

**NOTE:** All component dimensions given in U.S. inches. 1 inch = 25.4 mm

**IMPORTANT:** Use only Original Equipment Manufacturer (O.E.M.) replacement parts. Failure to do so could be hazardous, damage your lawn mower and void your warranty.

# ROTARY LAWN MOWER - - MODEL NUMBER **R52S** (96141006000) PRODUCT NUMBER 961 41 00-60



# ROTARY LAWN MOWER - - MODEL NUMBER **R52S** (96141006000) PRODUCT NUMBER 961 41 00-60

KEY NO.	PART NO.	DESCRIPTION	KEY NO.	PART NO.	DESCRIPTION
1	532 18 76-26	Cable, Drive	29	532 18 94-03	Cover, Dust, Wheel
2	532 18 87-60	Bar, Control, Drive	32	532 18 07-53	Wheel & Tire Assembly, Rear, Driven 9 x 2
3	532 16 45-57	Bracket, Downstop	33	532 18 80-42	Nut, Hex Flangelock
5	532 40 07-83	Cover, Drive	34	532 18 06-26	Hubcap
6	532 75 06-34	Screw, Tapping, Hex Washer Head #10-24 x 1/2	35	532 19 60-16	Shaft Assembly, Rear
7	532 16 08-16	V-Belt	36	532 19 60-15	Shaft Assembly, Front
8	532 13 20-10	Nut, Hex, Flangelock, Zinc Plated 3/8-16	37	532 16 14-63	Retainer, Front Shaft
9	532 16 39-39	Pulley, Driven	38	532 16 34-09	Screw
10	532 16 45-53	Belt Keeper Bracket	39	532 70 02-79	Clip, Retainer
11	532 16 34-09	Screw #12 x 5/8	40	532 15 03-48	Wheel & Tire Assembly, Front 8 x 2
12	532 18 76-27	Spring	42	532 18 81-52	O-Ring
13	532 18 82-95	Gearcase Assembly, Complete	43	532 08 83-48	Washer, Flat 3/8
14	532 14 53-54	Pin, Spring, Thrust	44	532 06 23-35	Belleville Washer 1/2
15	532 05 70-79	Washer, Hardened	45	532 06 77-25	Washer 1/2 x 1-1/2 x .134
16	532 16 15-84	Rod, Connecting	46	819 57 22-16	Washer
17	532 16 16-02	Spring, Extension	47	532 08 81-18	Felt Washer
18	532 19 61-62	Spring, Selector	51	532 18 75-30	Case, Lower
19	532 19 00-69	Knob, Selector Spring	52	532 19 12-45	Case, Upper
20	812 00 00-22	E-Ring 7/8	53	532 18 75-32	Gear, 24 Teeth
21	532 16 33-65	Bearing Support	54	532 18 75-33	Shaft, Worm
22	532 16 99-11	Bearing, Ball	55	532 18 35-05	Wireform
23	532 16 45-55	Retainer, Drive Assembly, Stamped	56	532 18 35-06	Bearing, Ball
24	532 05 78-08	Screw, Tapping, Hex Head 1/4-20 x 3/4	57	532 18 35-08	Seal, Output Shaft
25	532 17 00-11	Drive Pawl	58	532 18 35-09	Washer
26	532 16 64-50	Pinion, Drive	59	532 18 35-11	Bushing
27	532 05 21-60	Washer	60	532 19 12-48	Shaft, Output
28	812 00 00-58	E-Ring 7/16	61	532 18 35-13	Screw
			62	532 18 35-14	Seal, Worm Shaft

5

**NOTE:** All component dimensions given in U.S. inches. 1 inch = 25.4 mm

**IMPORTANT:** Use only Original Equipment Manufacturer (O.E.M.) replacement parts. Failure to do so could be hazardous, damage your lawn mower and void your warranty.