

# YTH210 XP

**Spare parts**

**Ersatzteile**

**Pièces détachées**

**Reserve onderdelen**

**Repuestos**

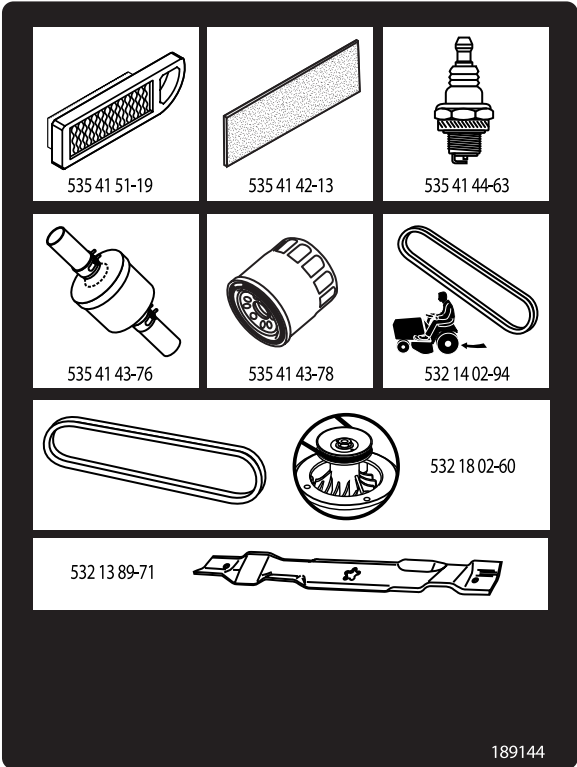
**Reservdelar**

# ILLUSTRATED PARTS LIST

**MFG. ID NO. 96011012100**

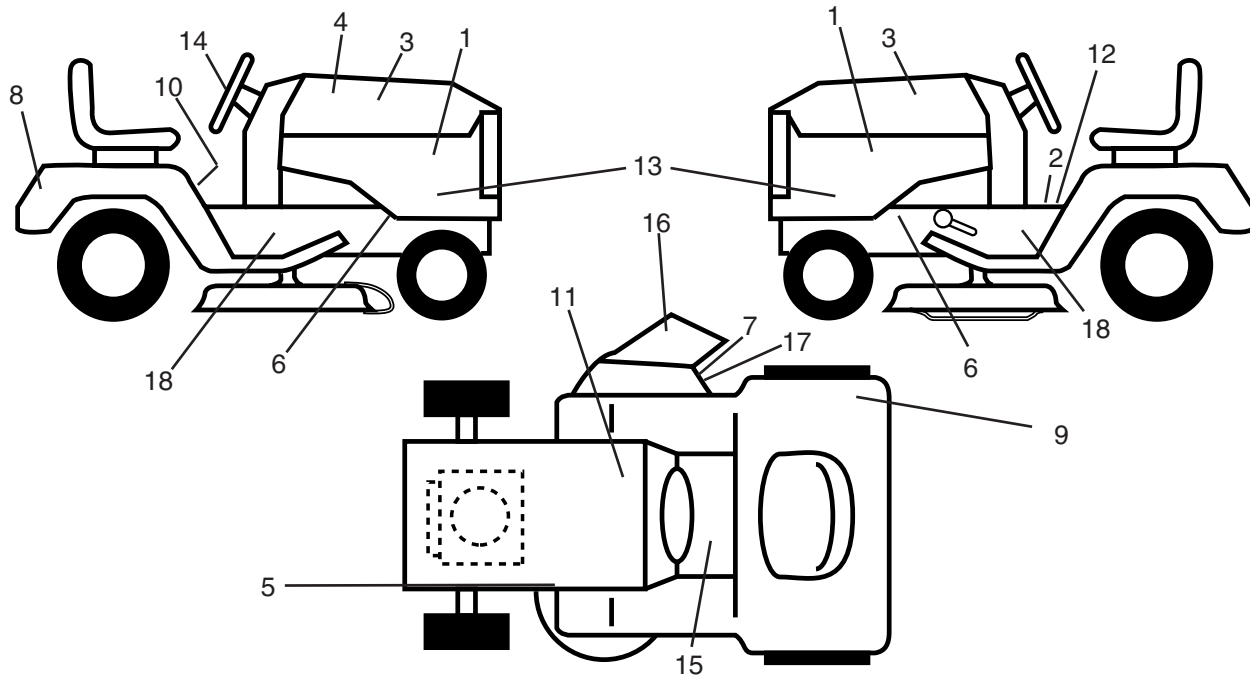
**CUSTOMER CATALOG NO. YTH210 XP**

**PRODUCT NO. 960 11 01-21**



# REPAIR PARTS

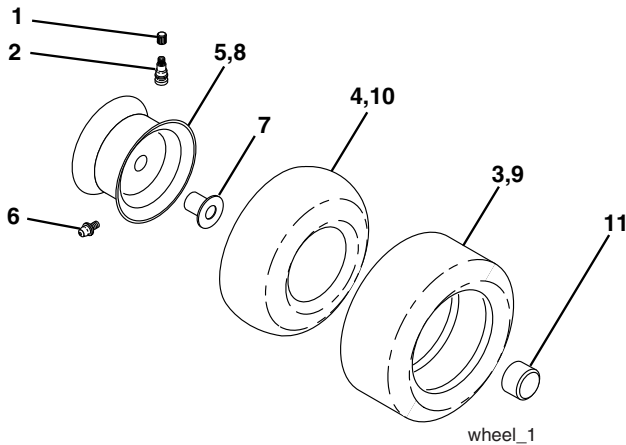
TRACTOR-MODEL NO. YTH210 XP (96011012100), PRODUCT NO. 960 11 01-21  
DECAL



KEY NO.	PART NO.	DESCRIPTION
1	532 18 89-21	Decal, Pnl Side
2	532 14 08-37	Decal, Brake Parking Sandle
3	532 18 89-22	Decal, Hood
4	532 18 91-44	Decal, Rpl. Int.
5	532 16 03-96	Decal, V-Belt Sch.
6	532 15 97-36	Decal, Chassis Hot Muffler
7	532 18 21-66	Decal, Mower Cutting Symbol
8	532 18 89-36	Decal, Logo, Fender
9	532 18 04-32	Decal, Fender 100 DB/CE
10	532 40 03-89	Decal, Warning Symbols CE
11	532 14 50-05	Decal, Bat Dan/Poi P/L Sym
12	532 17 83-02	Decal, Oper. Cruise Symbols
13	532 19 11-54	Decal, Sidepnl

KEY NO.	PART NO.	DESCRIPTION
14	532 18 89-25	Decal, Wheel Steering
15	532 15 97-37	Decal, Brake/Clutch Symbol
16	532 17 91-28	Decal, Deck "B"
17	532 19 63-57	Decal, Cutting Warning
18	532 40 11-46	Decal, Warning Service/Fire
--	532 16 25-98	Decal Drawbar Load Limit
--	532 16 69-60	Decal By Pass Lt Hydro
--	532 13 83-11	Decal, Handle Lift Height Adjust. (Lift Handle)
--	532 18 14-95	Pad, Footrest LH
--	532 18 14-96	Pad, Footrest RH
--	532 40 08-35	Manual, Operator's (Euro)

## WHEELS & TIRES

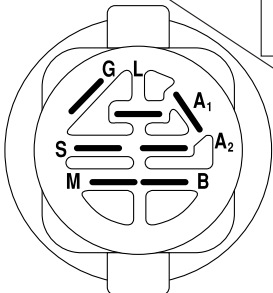
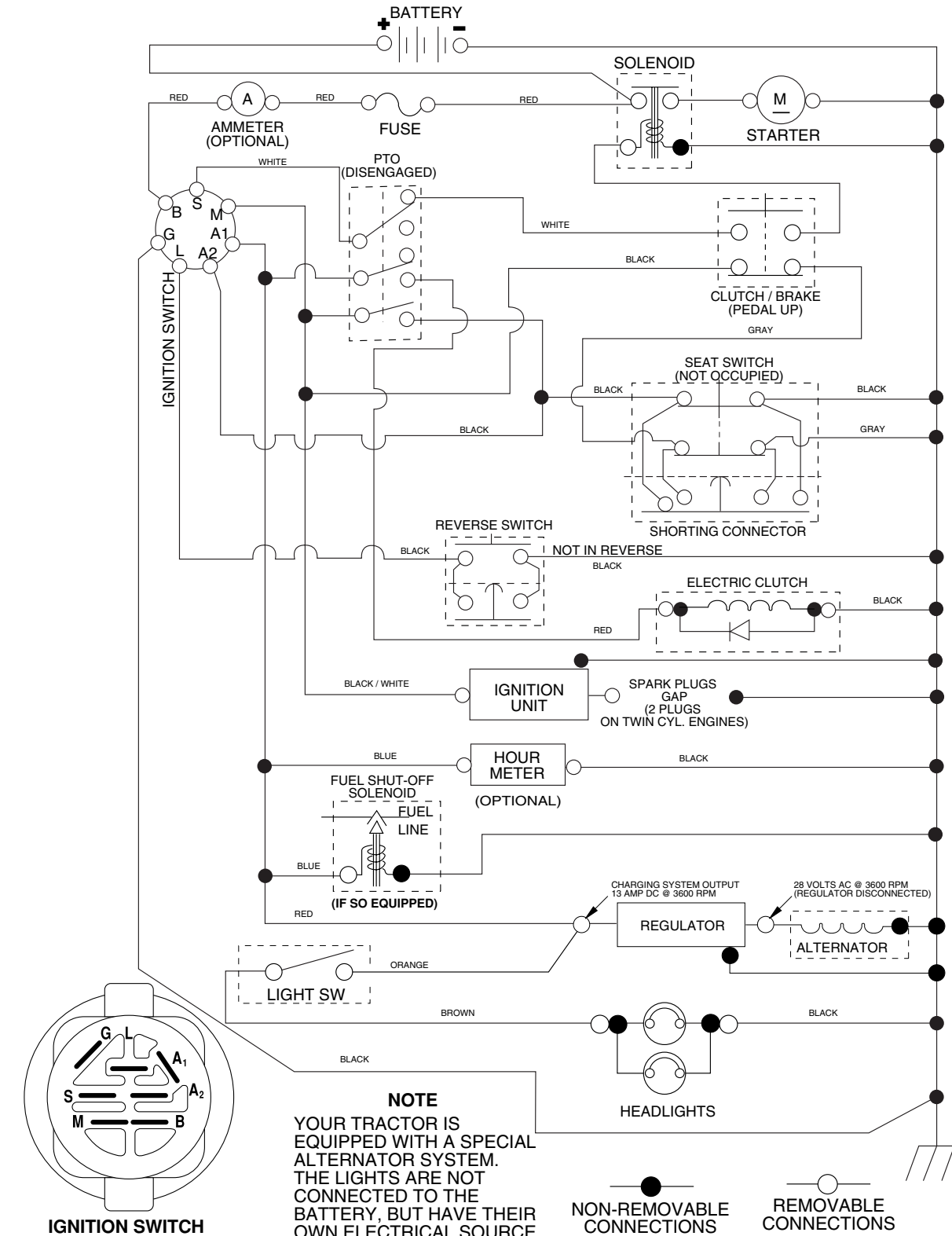


KEY NO.	PART NO.	DESCRIPTION
1	532 05 91-92	Cap Valve Tire
2	532 06 51-39	Stem Valve
3	532 10 62-22	Tire F Ts 15 x 6 0 - 6 Service
4	532 05 99-04	Tube Front (Service Item Only)
5	532 13 83-36	Rim Asm 6" front Silver Service
6	532 12 49-57	Fitting Grease (Front Wheel Only)
7	532 12 49-59	Bearing Flange (Front Wheel Only)
8	532 13 83-37	Rim Asm 8" Rear Silver Service
9	532 12 20-82	Tire R Ts 20 x 10-8 C Service
10	532 12 49-26	Tube Rear (Service Item Only)
11	532 17 50-39	Cap Axle Blk 1 50 x 1 00
--	532 14 43-34	Sealant, Tire (10 oz. tube)

**NOTE:** All component dimensions given in U.S. inches  
1 inch = 25.4 mm

# TRACTOR-MODEL NO. YTH210 XP (96011012100), PRODUCT NO. 960 11 01-21 SCHEMATIC

03110\_197429



**IGNITION SWITCH**

POSITION	CIRCUIT	"MAKE"
OFF	M+G+A1	
RUN/OVERRIDE	B+A1	
RUN	B+A1	L+A2
START	B + S + A1	

03110

**NOTE**

YOUR TRACTOR IS EQUIPPED WITH A SPECIAL ALTERNATOR SYSTEM. THE LIGHTS ARE NOT CONNECTED TO THE BATTERY, BUT HAVE THEIR OWN ELECTRICAL SOURCE. BECAUSE OF THIS, THE BRIGHTNESS OF THE LIGHTS WILL CHANGE WITH ENGINE SPEED. AT IDLE THE LIGHTS WILL DIM. AS THE ENGINE IS SPEEDED UP, THE LIGHTS WILL BECOME THEIR BRIGHTEST.

NON-REMOVABLE CONNECTIONS

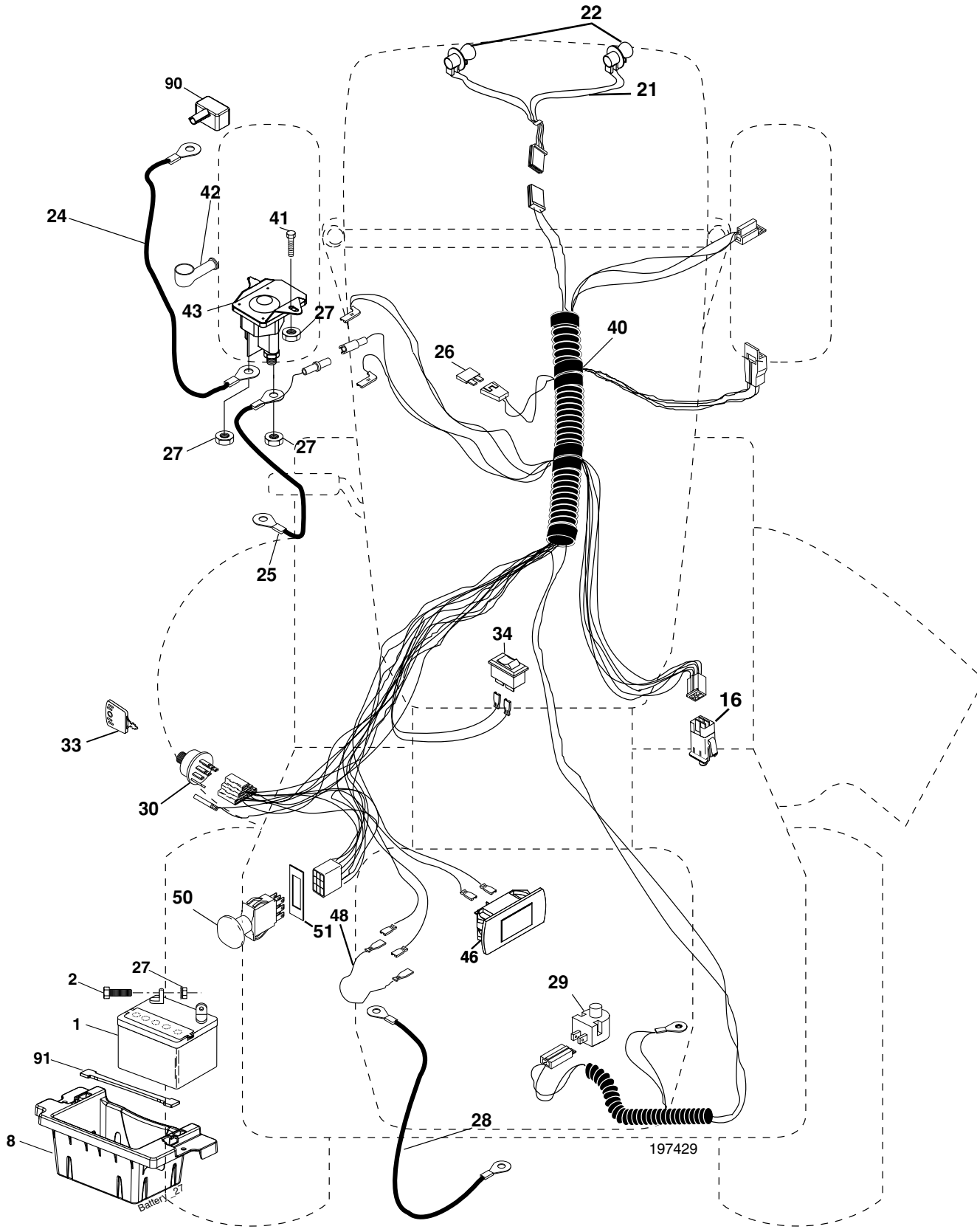
REMOVABLE CONNECTIONS

**WIRING INSULATED CLIPS**

**NOTE:** IF WIRING INSULATED CLIPS WERE REMOVED FOR SERVICING OF UNIT, THEY SHOULD BE REPLACED TO PROPERLY SECURE YOUR WIRING.

# REPAIR PARTS

TRACTOR-MODEL NO. YTH210 XP (96011012100), PRODUCT NO. 960 11 01-21  
ELECTRICAL



# REPAIR PARTS

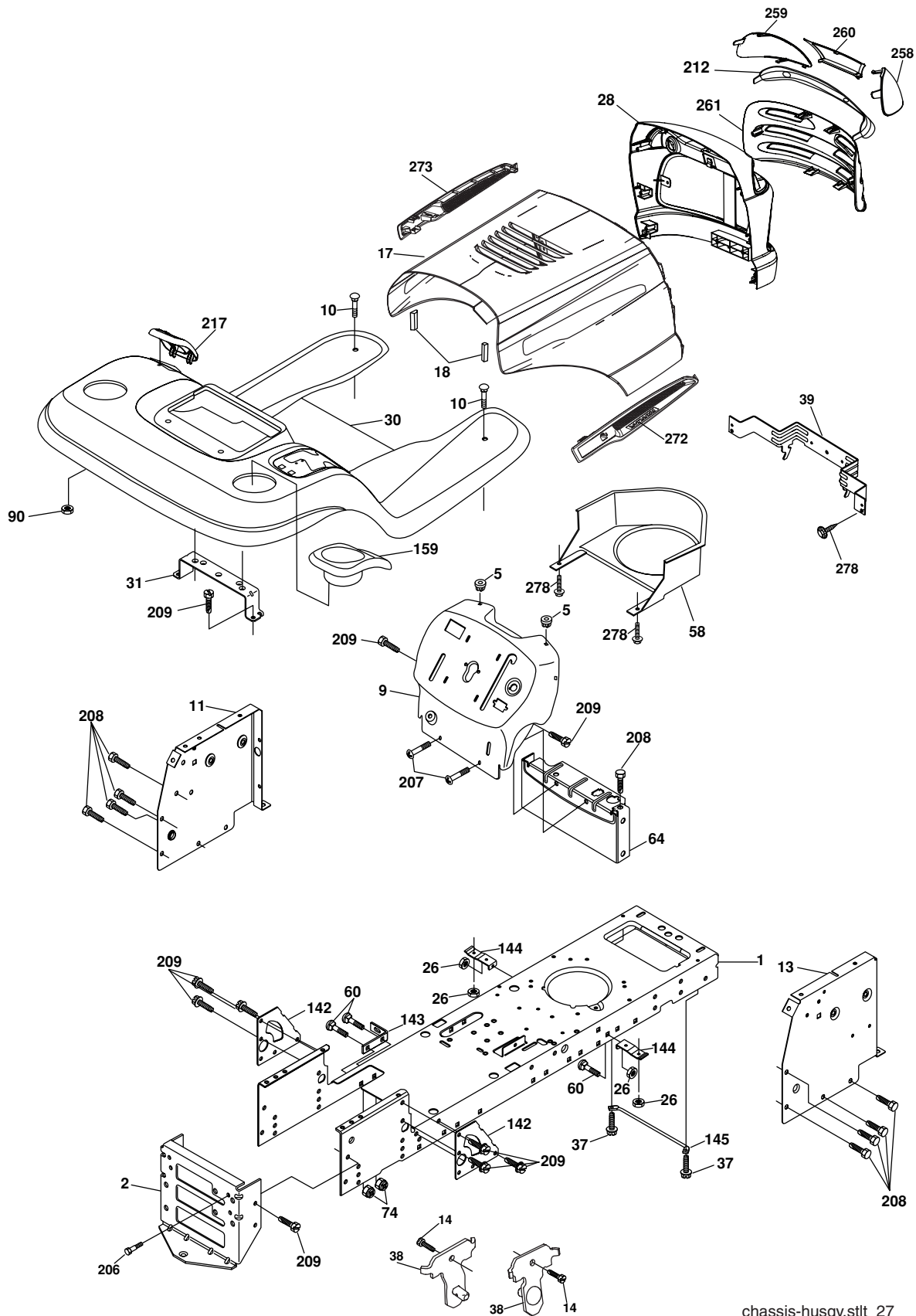
TRACTOR-MODEL NO. YTH210 XP (96011012100), PRODUCT NO. 960 11 01-21  
ELECTRICAL

KEY NO.	PART NO.	DESCRIPTION
1	532 14 49-27	Battery
2	874 76 04-12	Bolt Hex Hd 1/4-20 unc x 3/4
8	532 18 64-91	Box Battery
16	532 17 61-38	Switch Interlock
21	532 17 56-88	Harness Asm Light W/4152J
22	532 00 41-52	Bulb Light #1156
24	532 12 47-80	Cable Battery 6 Ga. 11" red
25	532 14 61-48	Cable Battery 6 Ga. W/16 Ga. Wire 22"
26	532 17 51-58	Fuse 20 AMP
27	873 51 04-00	Nut Keps hex 1/4-20 Unc
28	532 14 54-91	Cable Ground 6 Ga. 21" Black
29	532 19 27-49	Switch Seat
30	532 19 33-50	Switch Ignition
33	532 14 04-01	Key Ign Molded Generic
34	532 11 07-12	Switch Light
40	532 19 74-29	Harness Ign.
41	871 11 04-08	Bolt Hex Hd. Fin 1/4-20 x 1/2 Gr. 5
42	532 13 15-63	Cover Terminal Red
43	532 19 25-07	Solenoid
46	532 19 81-38	Hourmeter
48	532 14 08-44	Adapter Ammeter Rectangular
50	532 17 46-51	Switch PTO
51	532 14 04-05	Ring Retainer PTO
90	532 18 04-49	Cover Terminal Battery
91	532 19 02-70	Strap Battery Mount Front

**NOTE:** All component dimensions given in U.S. inches  
1 inch = 25.4 mm.

# REPAIR PARTS

TRACTOR-MODEL NO. YTH210 XP (96011012100), PRODUCT NO. 960 11 01-21  
ENCLOSURES



# REPAIR PARTS

TRACTOR-MODEL NO. YTH210 XP (96011012100), PRODUCT NO. 960 11 01-21  
ENCLOSURES

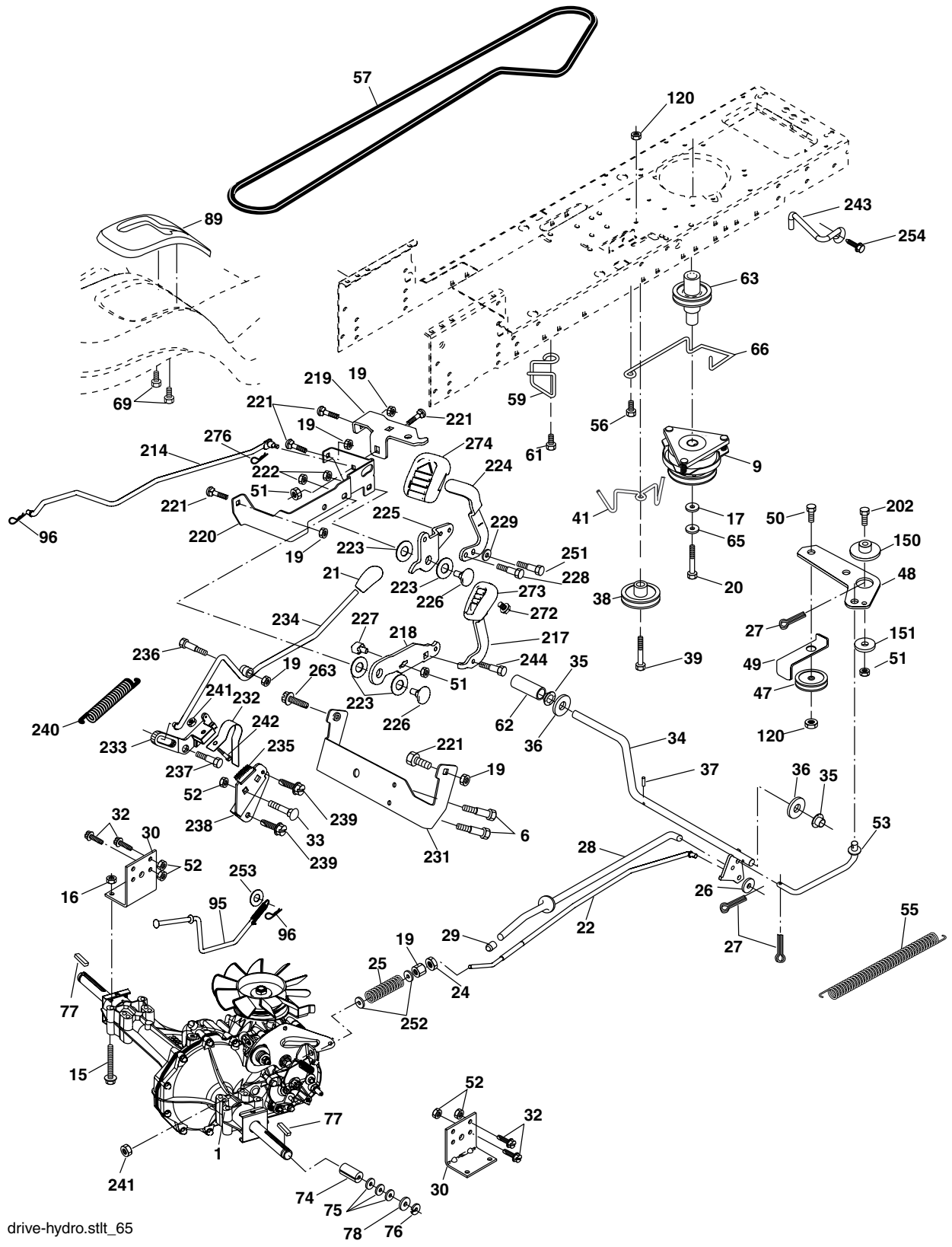
KEY NO.	PART NO.	DESCRIPTION
1	532 17 46-19	Chassis Stl Stamping
2	532 17 65-54	Drawbar
5	532 15 52-72	Bumper Hood/Dash
9	532 40 28-22	Dash
10	872 14 06-08	Bolt Carriage 3/8-16 x 1
11	532 17 49-96	Panel Dash Lh
14	817 49 06-08	Screw Thdrol 3/8-16 x 1/2
13	532 17 21-06	Panel Dash Rh
17	532 18 88-93	Hood LT/PL Husqvarna
18	532 18 49-21	Bumper Hood
26	873 80 06-00	Nut Lock Hex W/Ins 3/8-16 unc
28	532 18 35-38	Grille LT/PL Husqvarna (Includes Key Nos. 212, 258-261)
30	532 19 48-06	Fender Footrest STLT Pnt
31	532 13 99-76	Bracket Support Fender
37	817 49 05-08	Screw Thdrol 6/16-18 x 1/2 TYT
38	532 17 57-10	Bracket Asm. Pivot Mower Rear
39	532 17 47-14	Bracket Pivot Laser
58	532 18 45-38	Duct Intake Air
60	872 14 06-06	Bolt Rdhd Sqnk 3/8-16 unc x 3/4
64	532 15 47-98	Dash Lower STLT
74	873 68 06-00	Nut Crownlock 3/8-16 unc
90	532 12 43-46	Nut Self-Thd Wsh-Hd 1/4
142	532 17 57-02	Plate Reinforcement STLT
143	532 18 66-89	Bracket Swaybar Chassis
144	532 17 55-82	Bracket Footrest STLT
145	532 15 65-24	Rod Pivot Chassis/Hood
159	532 19 24-04	Cupholder
206	532 17 01-65	Bolt Shoulder 5/16-18 TT
207	817 67 05-08	Screw Thdrol 5/16-18 x 1/2 TYTT
208	817 67 06-08	Screw Thdrol 3/8-16 x 1/2 TYT BL
209	817 00 06-12	Screw Hexwsh Thdr 3/8-16 x 3/4
212	532 18 35-48	Insert Lens Reflective
217	532 18 54-36	Console Fuel Window
258	532 18 52-13	Lens Husq. Laser LT Clear RH
259	532 18 52-14	Lens Husq. Laser LT Clear LH
260	532 18 52-16	Cover Lens Husq. Laser LT
261	532 18 52-12	Insert Grille
272	532 18 88-96	Vent Hood RH
273	532 18 88-95	Vent Hood LH
278	<b>532 19 16-11</b>	<b>Screw 10 x 3/4 Single Lead-Hex</b>

**NOTE:** All component dimensions given in U. S. inches  
1 inch = 25.4 mm



# REPAIR PARTS

TRACTOR-MODEL NO. YTH210 XP (96011012100), PRODUCT NO. 960 11 01-21  
DRIVE



# REPAIR PARTS

TRACTOR-MODEL NO. YTH210 XP (96011012100), PRODUCT NO. 960 11 01-21  
DRIVE

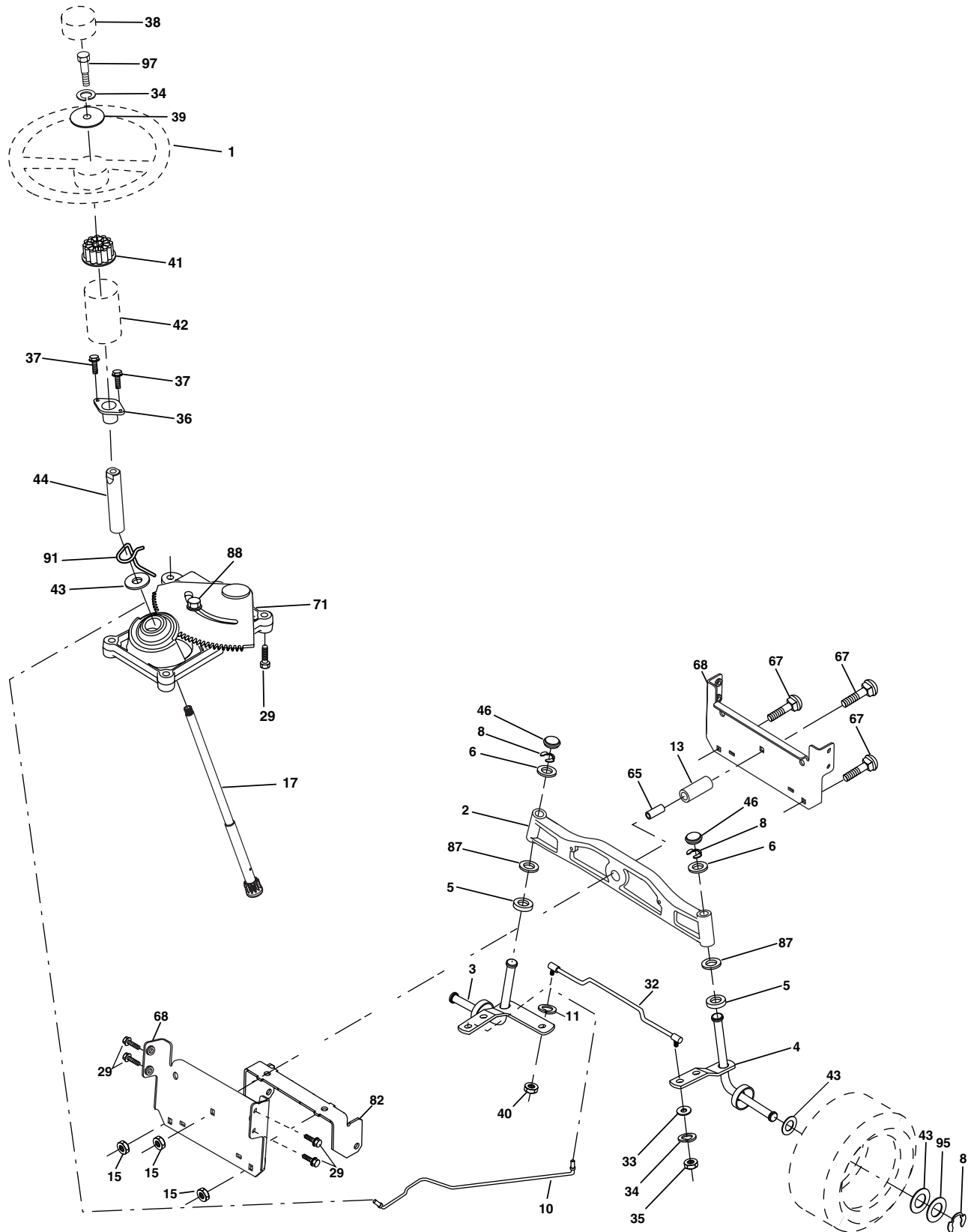
KEY NO.	PART NO.	DESCRIPTION
1	-----	Transaxle (Order parts from trans-axle manufacturer) Hydro gear Model 347-0510
6	817 06 05-12	Screw 5/16-18
9	532 18 02-20	Clutch
15	874 49 05-44	Bolt Hex Flghd 5/16-18 Gr. 5
16	873 80 05-00	Nut Lock Hex W/Ins. 5/16-18 unc
17	532 12 61-97	Washer 1-1/2 OD x 15/32 ID x .250
19	873 80 06-00	Nut Lock Hex W/Wsh 3/8-16 unc
20	532 17 39-37	Bolt Hex 7/16-20 x 4 x Gr. 5-1.5
21	532 18 14-54	Knob Custom Control Cruise
22	532 17 58-96	Rod, Brake
24	873 35 06-00	Nut, Hex Jam 3/8-16 unc
25	532 19 20-36	Spring, Brake Rod
26	819 13 13-16	Washer
27	876 02 04-12	Pin Cotter 1/8 x 3/4 CAD.
28	532 17 57-65	Rod, Parking Brake
29	532 07 16-73	Cap, Brake, Park
30	532 16 95-92	Bracket, Transaxle
32	874 76 05-12	Bolt Hex Hd 5/16-18 unc x 3/4
33	872 14 05-06	Bolt Rdhd Sqnk 5/16-18 unc x 3/4
34	532 17 55-78	Shaft, Foot Pedal
35	532 12 01-83	Bearing, Nylon
36	819 21 16-16	Washer
37	532 12 49-63	Pin, Roll
38	532 17 91-14	Pulley, Composite
39	872 11 06-22	Bolt Rdhd 3/8-16 unc x 2-3/4 Gr. 5
41	532 17 55-56	Keeper, Belt Idler Flat
47	532 12 77-83	Pulley, Idler, V-Groove
48	532 15 44-07	Bellcrank Clutch Grnd Drw Stl
49	532 12 32-05	Retainer, Belt
50	872 11 06-12	Bolt Carr. SH 3/8-16 x 1-1/2 Gr. 5
51	873 68 06-00	Nut Crownlock 3/8-16 unc
52	873 68 05-00	Nut, Crownlock 5/16-18 unc
53	532 19 96-52	Link, Clutch
55	532 10 57-09	Spring, Return, Clutch
56	817 06 06-20	Screw 3/8-16 x 1-1/4
57	532 14 02-94	V-Belt, Ground Drive
59	532 16 96-91	Keeper, Center Span
61	817 12 06-14	Screw 3/8-16 x .875
62	532 12 35-33	Cover, Pedal
63	532 17 46-07	Pulley, Engine
65	810 04 07-00	Washer
66	532 15 47-78	Keeper Belt Engine
69	532 14 24-32	Screw Hex Wsh Hi-Lo 1/4 x 1/2 unc
74	532 13 70-57	Spacer, Axle
75	532 12 17-49	Washer 25/32 x 1-1/4 x 16 Ga.
76	812 00 00-01	E-Ring

KEY NO.	PART NO.	DESCRIPTION
77	532 12 35-83	Key, Square
78	532 12 17-48	Washer 25/32 x 1-5/8 x 16 Ga.
89	532 19 19-15	Console, Shift
95	532 19 56-31	Rod Bypass
96	532 12 47-88	Retainer Spring
120	873 90 06-00	Nut Lock Flg 3/8-16 unc
150	532 17 54-56	Spacer Retainer
151	819 13 32-10	Washer 13/32 x 2 x 10 Ga.
202	872 11 06-14	Bolt Carr Sh 3/8-16 x 1-3/4 Gr. 5
214	532 17 47-35	Link Transaxle
217	532 17 94-33	Pedal Reverse
218	532 17 47-13	Arm Control Pedal Reverse
219	532 17 48-39	Bracket Frest Pdl Ctrl. Hyd
220	532 17 47-11	Bracket Mtg. Pedal Control
221	872 14 06-06	Bolt Rdhd Sqnk 3/8-16 unc x 3/4
222	873 68 07-00	Nut Crownlock 7/16-14 unc
223	532 17 48-40	Washer Nylon 11/16 ID x .060
224	532 17 47-36	Pedal Forward
225	532 17 47-12	Arm Control Pedal Forward
226	532 17 49-02	Bolt Pivot Spacer
227	532 17 47-10	Cam Reverse Pedal LT
228	532 17 90-32	Bolt Shoulder 5/16-18
229	532 17 64-51	Washer Serrated 5/16 x .75
231	532 17 45-73	Strap Torque
232	532 17 55-70	Actuator Cruise Disengage
233	532 17 48-56	Pawl Control Cruise
234	532 17 48-58	Lever Control Cruise
235	532 17 48-57	Sector Control Cruise
236	532 12 89-03	Bolt Shoulder 3/8-16 unc 1/44
237	532 17 01-65	Bolt Shoulder 5/16-18
238	532 17 58-07	Arm Mtg. Cruise Sector
239	817 49 05-08	Screw Thdrol 5/16 x 1/2
240	532 17 56-10	Spring Return Cruise Control
241	873 93 04-00	Nut Centerlock 1/4-20 unc
242	874 78 04-12	Bolt Fin Hex 1/4-20 unc x .75
243	532 19 07-36	Bracket Anti-Rotation
244	817 49 05-10	Screw 5/16-18 x 5/8
251	817 06 05-16	Screw 5/16-18 x 1
252	819 13 16-16	Washer 13/32 x 1 x 16 Ga.
253	532 17 94-22	Washer .312 x .615 x 16 Ga.
254	817 00 06-16	Screw 3/8-16 x 1
263	817 00 06-12	Screw Hexwsh Thdr 3/8-16 x 3/4
272	817 67 05-08	Screw Thdrol 5/16-18 x 1/2
273	532 17 96-10	Pad Pedal Reverse
274	532 17 56-46	Cover Pedal Forward
276	532 17 80 62	Clip Retainer

**NOTE:**All component dimensions give in U.S. inches.  
1 inch = 25.4 mm.

# REPAIR PARTS

TRACTOR-MODEL NO.YTH210 XP (96011012100), PRODUCT NO.960 11 01-21  
STEERING ASSEMBLY



# REPAIR PARTS

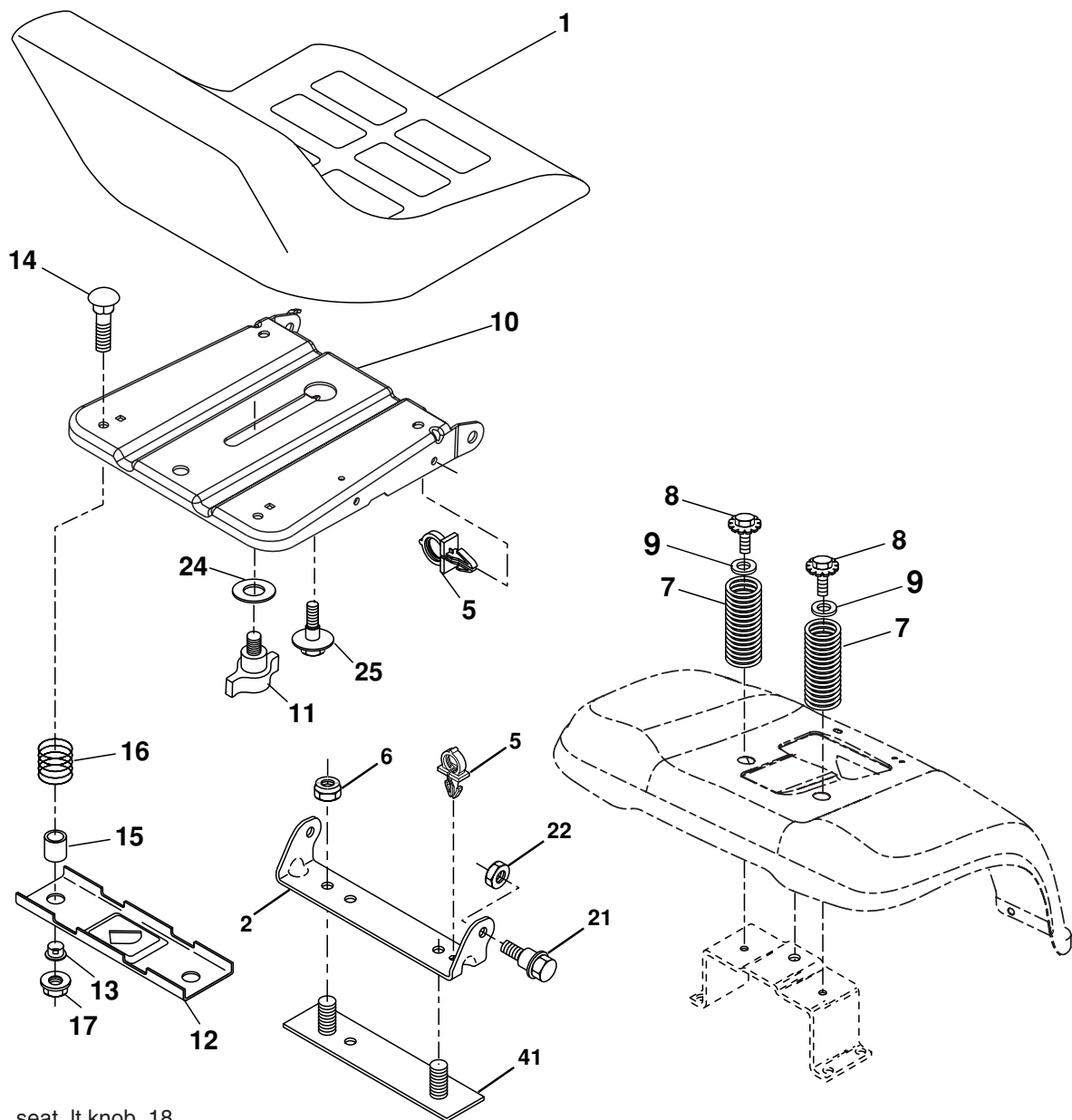
TRACTOR-MODEL NO. YTH210 XP (96011012100), PRODUCT NO. 960 11 01-21  
STEERING ASSEMBLY

KEY NO.	PART NO.	DESCRIPTION
1	532 19 36-51	Wheel Steering
2	532 18 47-06	Axle
3	532 16 98-40	Spindle Asm LH
4	532 16 98-39	Spindle Asm RH
5	532 12 49-31	Bearing Race Thrust Harden
6	532 12 17-48	Washer 25/32 x 1-5/8 x 16 Ga.
8	812 00 00-29	Ring Klip #t5304-75
10	532 17 51-21	Link Drag
11	810 04 06-00	Washer Lock Hvy Hlcl Spr 3/8
13	532 13 65-18	Spacer Brg Axle Front
15	532 14 52-12	Nut Hex Flange Lock
17	532 19 07-53	Shaft Asm Strg
29	817 00 06-12	Screw 3/8-16 x 3/4
32	532 17 18-88	Rod Tie
33	819 11 12-16	Washer 11/32 x 3/4 x 16 Ga.
34	810 04 05-00	Washer Lock Hry Hlcl Spr 5/16
35	873 54 05-00	Crownlock Nut 5/16 - 24 unf
36	532 15 50-99	Bushing Strg
37	532 15 29-27	Screw TT #32.5 x 5 x 3/8 Flange
38	532 19 36-52	Cap Wheel Steer
39	819 11 38-12	Washer 11/32 ID x 2 3/8 OD x 12 Ga.
40	873 54 06-00	Nut Crownlock 3/8-24 unf
41	532 18 67-37	Adaptor Wheel Strg
42	532 16 96-34	Boot Dash Steering
43	532 12 17-49	Washer 25/32 x 1 1/4 x 16 Ga.
44	532 19 07-52	Extension Steering Shaft
46	532 12 12-32	Cap Spindle Fr Top Blk
65	532 16 03-67	Spacer Brace Axle
67	872 11 06-18	Bolt Rdhd Sq 3/8-16 x 2-1/4
68	532 16 98-27	Brace, Axle
71	532 17 51-46	Steering Asm
82	532 19 99-78	Bracket Susp Chassis Front
87	532 17 39-66	Washer Flat .781 x 1-1/2 x .14
88	532 17 51-18	Bolt Shoulder 7/16-20
91	532 17 55-53	Clip Steering
95	532 18 89-67	Washer Harden .793 x 1.637 x 060
97	874 78 05-64	Bolt 5/16-18 unc x 4" L Gr. 5

**NOTE:** All component dimensions given in U.S. inches  
1 inch = 25.4 mm.

# REPAIR PARTS

TRACTOR-MODEL NO. YTH210 XP (96011012100), PRODUCT NO. 960 11 01-21  
SEAT ASSEMBLY



seat\_lt.knob\_18

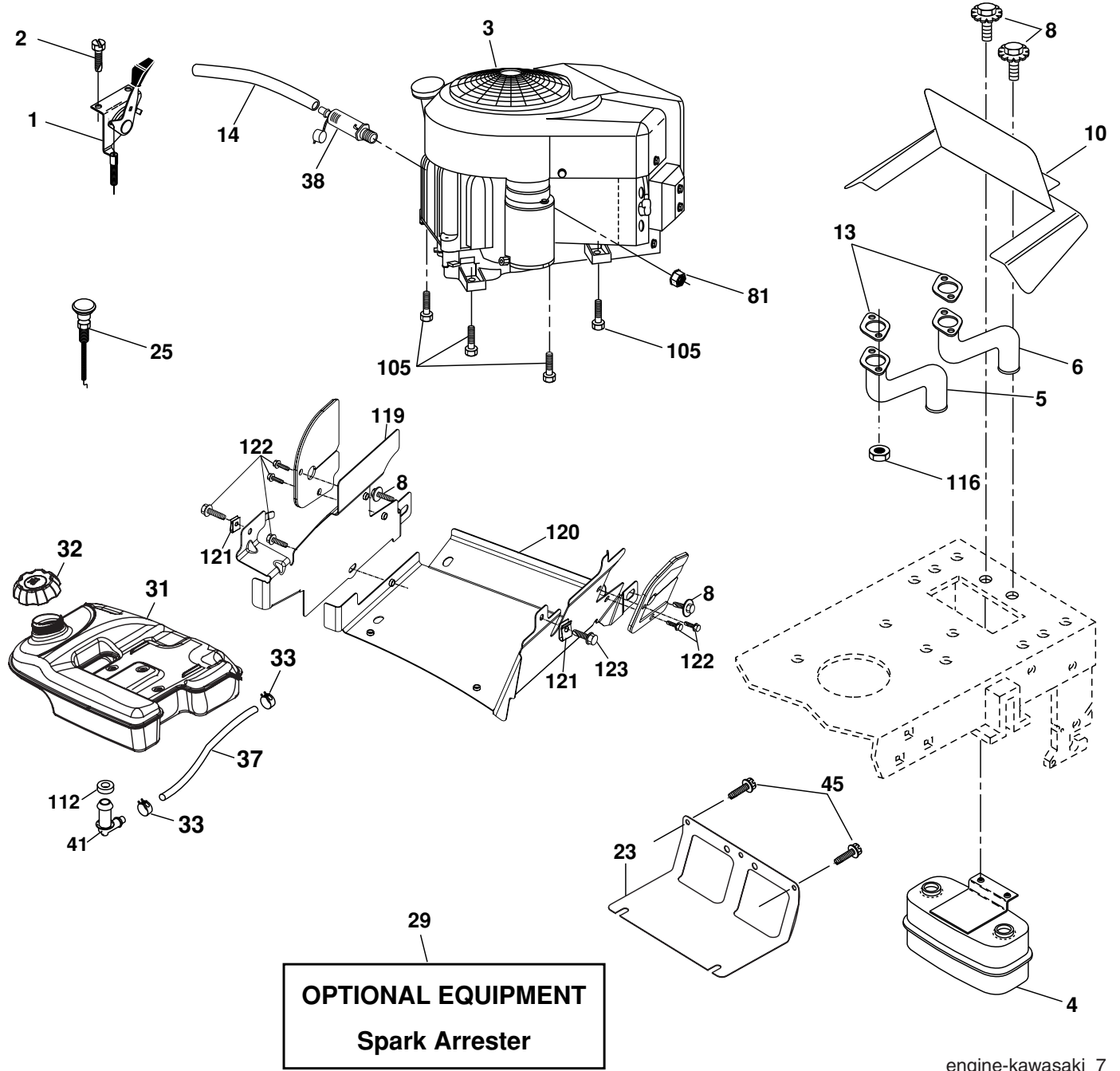
KEY NO.	PART NO.	DESCRIPTION
1	532 18 87-15	Seat
2	532 14 05-51	Bracket Pivot Seat 8 720
5	532 14 50-06	Clip Push-In Hinged
6	873 80 06-00	Nut Lock Hex w/Ins. 3/8-16 Unc
7	532 12 41-81	Spring Seat Cprsn 2 250 Blk Zi
8	817 00 06-16	Screw 3/8-16 x 1-1/2
9	819 13 16-14	Washer 13/32 x 1 x 14 Ga.
10	532 19 55-30	Pan Seat
11	532 16 63-69	Knob Seat
12	532 17 46-48	Bracket Mounting Switch
13	532 12 12-48	Bushing Snap Blk Nyl 50 Id
14	872 05 04-12	Bolt Rdhd Sht Nk 1/4-20 x 1-1/2

KEY NO.	PART NO.	DESCRIPTION
15	532 12 12-49	Spacer Split 28 x 88 Zinc
16	532 12 37-40	Spring Cprsn 1 310 Blk Pnt
17	532 12 39-76	Nut Lock 1/4 Lge Flg Gr. 5 Zinc
21	532 17 18-52	Bolt Shoulder 5/16-18 unc-2A
22	873 80 05-00	Nut Lock Hx w/Ins 5/16-18 unc PL
24	819 17 19-12	Washer 17/32 x 1-3/16 x 12 Ga
25	532 12 70-18	Bolt Shoulder 5/16-18 x 62
41	532 14 06-75	Strap Asm. Fender

**NOTE:** All component dimensions given in U.S. inches  
1 inch = 25.4 mm.

# REPAIR PARTS

TRACTOR-MODEL NO. YTH210 XP (96011012100), PRODUCT NO. 960 11 01-21  
ENGINE



# REPAIR PARTS

TRACTOR-MODEL NO. YTH210 XP (96011012100), PRODUCT NO. 960 11 01-21  
ENGINE

KEY NO.	PART NO.	DESCRIPTION
1	532 18 69-68	Control, Throttle
2	817 72 04-08	Screw, Hex Head, Thread Cutting 1/4-20 x 1/2
3	-----	Engine, KAWASAKI Model Number FH641V (Order Parts From Engine Manufacturer)
4	532 14 97-23	Muffler
5	532 18 45-79	Tube, Manifold, LH
6	532 18 45-80	Tube, Manifold, RH
8	532 17 18-77	Bolt 5/16-18 unc x 3/4 w/Sems
10	532 14 66-29	Shield, Heat Muffler CV-Intek
13	-----	Muffler Gasket (Order Parts From Engine Manufacturer)
14	532 14 84-56	Tube Drain Oil Easy
23	532 16 98-37	Shield, Browning / Debris Guard
25	532 19 17-17	Choke Control
29	532 13 71-80	Kit, Spark Arrestor
31	532 17 90-22	Tank Fuel 3 50 Rear
32	532 18 18-03	Cap Fuel Asm
33	532 12 34-87	Clamp, Hose
37	532 14 21-58	Line, Fuel
38	-----	Plug Drain Oil Easy (Order Parts From Engine Manufacturer)
41	532 13 92-77	Stem Fuel Tank
45	817 00 06-12	Screw Hexwash Thdr
81	873 51 04-00	Nut, Keps Hex 1/4-20 unc
105	817 12 06-16	Screw 3/8-16 x 1 SMGML TAP/R
112	532 12 49-52	Bushing
116	532 18 43-62	Nut Flange M8-1.25 NON-LK ZINK
119	532 40 05-95	Guard Asm LH
120	532 40 05-94	Guard Asm RH
121	532 19 66-88	Clip Threaded
122	532 13 77-29	Screw Thd /rikk 1/4-20 x 5/8
123	817 67 05-08	Screw Thdrol 5/16-18 x 1/2

**NOTE:** All component dimensions given in U.S. inches  
1 inch = 25.4 mm





# REPAIR PARTS

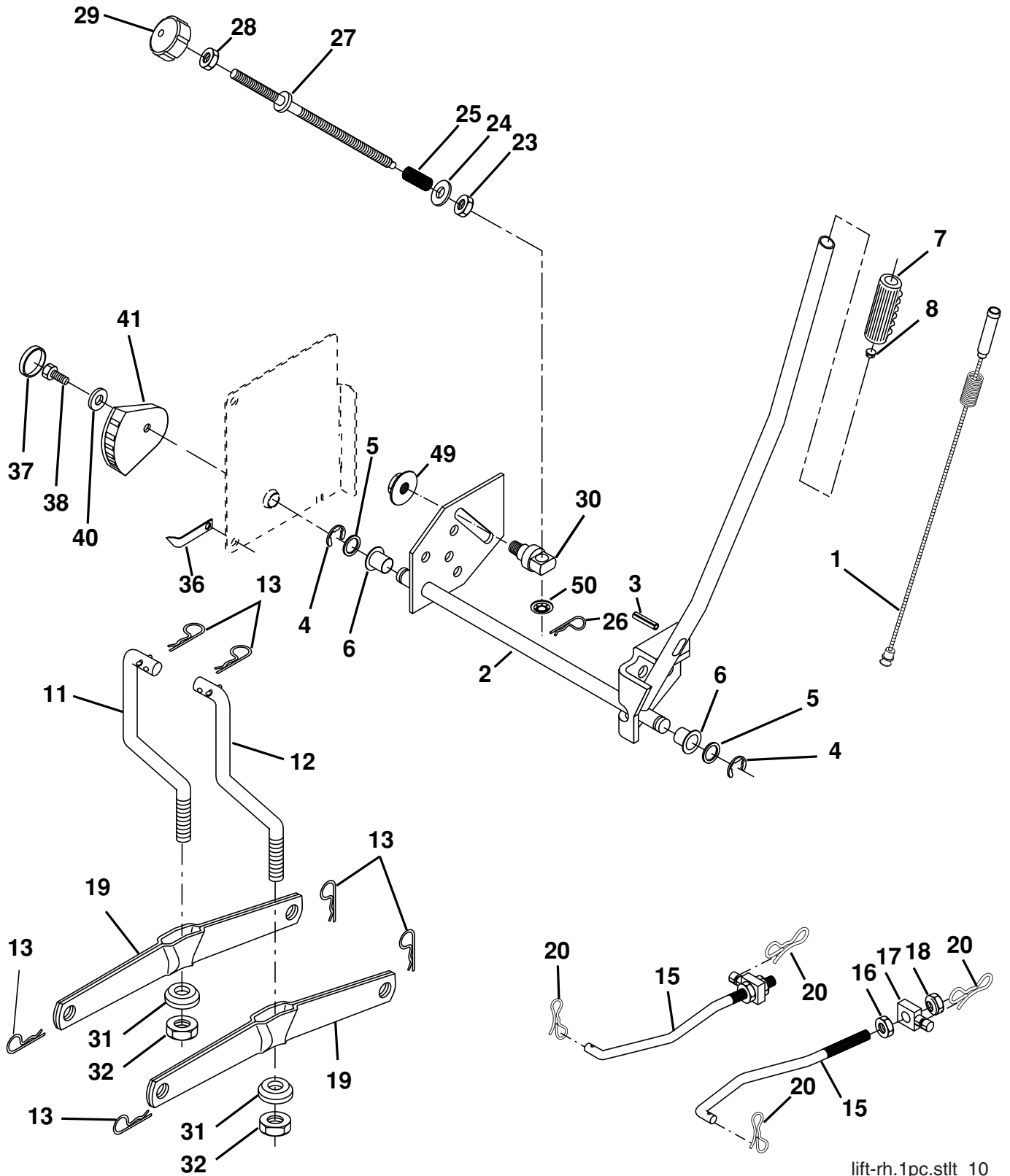
TRACTOR-MODEL NO. YTH210 XP (96011012100), PRODUCT NO. 960 11 01-21  
MOWER DECK

KEY NO.	PART NO.	DESCRIPTION	KEY NO.	PART NO.	DESCRIPTION
1	532 16 58-92	Housing Asm Mower 42"94 T-Path	92	873 80 06-00	Nut Lock Hex w/Ins. 3/8-16 unc
2	872 14 05-06	Bolt Rdhd Sqnk 5/16-18 unc x 3/4	94	532 13 22-64	Roller Nose 38 & 42
3	532 13 80-17	Bracket Asm Fr Sway Bar 38/42	95	532 18 05-33	Bracket Asm Noseroller RH
4	532 16 54-60	Bracket Asm Deck 42"sway Bar	111	532 17 92-92	Bracket Gauge Wheel Lh
5	532 12 46-70	Retainer Spring	112	532 17 92-93	Bracket Gauge Wheel Rh
6	532 17 80-24	Bar Sway Deck	113	817 00 05-10	Screw 3/8-16 x .625
8	532 19 30-03	Bolt Washer Asm. 7/16-20 unf	116	532 12 48-42	Bolt Shoulder
9	810 03 06-00	Washer Lock Hvy 3/8 Unplated	117	532 18 86-06	Wheel Gauge
10	532 14 02-96	Washer Hard Blade Mower Vented	118	873 93 06-00	Nut Centerlock 3/8-16 unc
11	532 13 89-71	Blade Mower High Lift"	119	819 12 14-14	Washer 3/8 x 7/8 x 14 Ga.
13	532 19 28-72	Shaft Asm W/lower Bearing	129	819 13 13-12	Washer 13/32 x 13/16 x 12 Ga.
14	532 18 72-81	Housing Mandrel Vented(machd)	130	874 78 06-16	Bolt Fin Hex 3/8-16 unc x 1 Gr. 5
15	532 11 04-85	Bearing Ball Mandrel	131	872 14 06-08	Bolt Rdhd Sqnk 3/8-16 unc x1
16	532 17 44-93	Stripper Round Mower	132	817 00-06-12	Screw 3/8-16 x .75
18	872 14 05-05	Bolt Carr 5/16-18 x 5/8	143	532 15 71-09	Bracket Arm Idler
19	532 13 28-27	Bolt Shoulder	144	532 15 86-34	Keeper Belt
20	532 15 97-70	Baffle Vortex 42	145	532 16 58-88	Pulley Idler Flat
21	873 68 05-00	Nut Crown Lock 5/16-18	146	532 17 19-77	Bolt Carriage Idler
23	532 17 75-63	Bracket Deflector Mower 42"	148	532 16 90-22	Spring Return Idler
24	532 10 53-04	Cap Sleeve 80 x 112 Blk Mower	149	532 16 58-98	Retainer Spring Yellow
25	532 12 37-13	Spring Torsion Deflector 2 52	150	819 09 12-10	Washer 9/32 x 3/4 x 10 Ga.
26	532 11 04-52	Nut Push Phos & Oil	159	872 14 06-14	Bolt RDHD Sqn 3/8-16 x 1-3/4
27	532 40 14-31	Shield Deflector	182	532 17 91-26	Rod Roller Nose
28	819 11 10-16	Washer 11/32 x 5/8 x 16 Ga.	183	532 19 42-09	Pin Cotter 7/16 Bow Tie Lock
29	532 13 14-91	Rod Hinge 42" 6 75 Wlg	184	819 13 14-10	Washer 13/32 x 7/8 x 10 Ga.
30	532 17 39-84	Screw Thd Rolling	196	532 40 11-19	Guard Mandrel RH
31	532 18 76-90	Washer Spacer	199	532 40 02-78	Guard Asm. Fabric LH
32	532 15 35-35	Pulley Mandrel	200	532 40 02-79	Guard Asm. Fabric RH
33	532 40 02-34	Nut Flange Toplock	201	532 40 12-20	Push Nut
34	872 11 06-12	Bolt RDHD 3/8-16 x 1-1/2	202	872 11 06-08	Bolt Rdhd Sqnk 3/8-16 x 1 Gr. 5
36	532 13 14-94	Pulley Idler Flat 3 060	203	532 19 72-62	Bolt Shoulder Bolt
40	873 90 06-00	Nut Lock 3/8-16 unc	--	532 19 28-70	Mandrel Assembly (Includes Hous- ing, Shaft and Shaft Hardware Only-Pulley Not Included)
44	532 14 00-88	Guard Mandrel LH Black	--	532 40 08-34	Replacement Mower, Complete (Std. Deck - Order separately nose roller and gauge wheel components key nos. 91, 94, 95, 132, 182, 183 and 116-119)
45	532 12 47-88	Retainer Spring			
46	532 13 77-29	Screw Thdrol 1/4-20 x 5/8			
54	532 17 85-15	Washer Hardened			
55	532 15 50-46	Arm Idler 42" mower LT/YT			
56	532 16 57-23	Spacer Retainer Mower			
59	532 14 10-43	Guard, Belt			
61	532 17 48-82	Spring Ext. Elect			
68	532 18 02-60	V-Belt Mower			
91	532 18 05-32	Bracket Asm Noseroller LH			

**NOTE:** All component dimensions given in U.S. inches  
1 inch = 25.4 mm

# REPAIR PARTS

TRACTOR-MODEL NO. YTH210 XP (96011012100), PRODUCT NO. 960 11 01-21  
MOWER LIFT



# REPAIR PARTS

TRACTOR-MODEL NO. YTH210 XP (96011012100), PRODUCT NO. 960 11 01-21  
MOWER LIFT

KEY NO.	PART NO.	DESCRIPTION
1	532 15 94-60	Wire Asm Inner/Sprg w/plngr LT
2	532 15 94-71	Shaft Asm Lift
3	532 10 57-67	Pin Groove
4	812 00 00-02	E Ring #5133-62
5	819 21 16-21	Washer 21/32 x 1 x 21 Ga.
6	532 12 01-83	Bearing Nylon Blk 629 Id
7	532 12 56-31	Grip Handle
8	532 12 45-26	Button Plunger Black
11	532 13 98-65	Link Lift LH Mower
12	532 13 98-66	Link Lift RH Mower
13	532 12 46-70	Retainer Spring
15	532 17 32-88	Link Front
16	873 35 08-00	Nut Jam Hex 1/2-13 unc
17	532 17 56-89	Trunnion
18	873 80 08-00	Nut Lock w/wsh 1/2-13 unc
19	532 13 98-68	Arm Suspension Rear
20	532 19 42-09	Pin Cotter 7/16 Bow Tie Lock
23	532 11 08-07	Nut Special
24	819 13 10-16	Washer 13/32 x 5/8 x 16 Ga.
25	532 12 48-74	Spring 2-1/8"
26	532 16 94-84	Retainer Clip
27	532 12 69-71	Rod Adj Lift
28	873 35 06-00	Nut Hex Jam 3/8-16 unc
29	532 13 80-57	Knob Inf 3/8-16 unc
30	532 15 02-33	Trunnion Inf. Height
31	532 16 98-65	Bearing PT Lift
32	873 54 06-00	Nut Crownlock 3/8-24
36	532 15 50-97	Pointer Height Ind
37	532 12 39-35	Plug Hole
38	817 06 05-16	Screw 5/16-18 x 1
40	819 11 24-10	Washer 11/32 x 1-1/2 x 10 Ga.
41	532 15 50-98	Ind Height STLT
49	532 14 52-12	Nut, Hex Flange Lock
50	532 11 04-52	Nut, Push

**NOTE:** All component dimensions given in U.S. inches  
1 inch = 25.4 mm