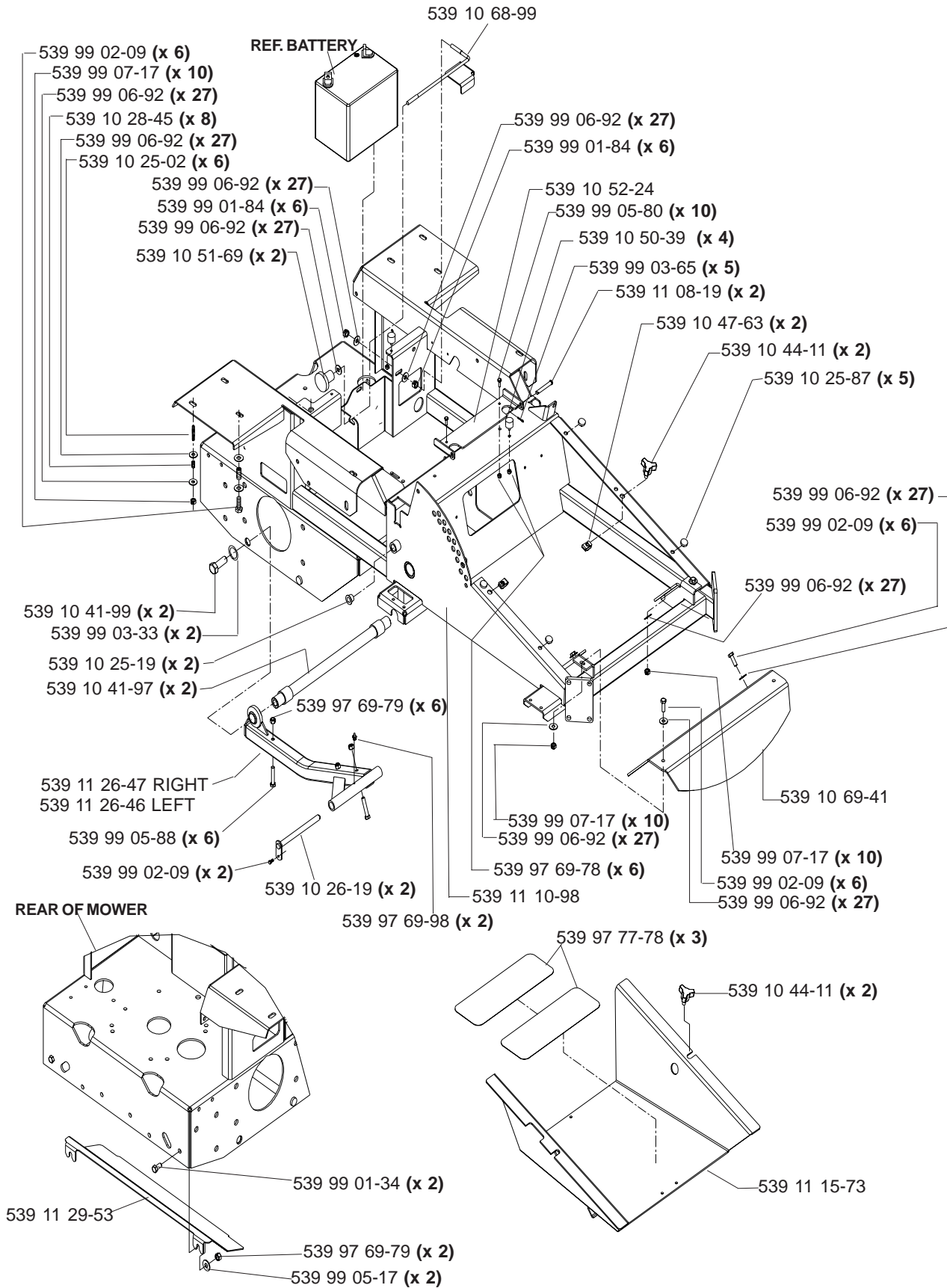


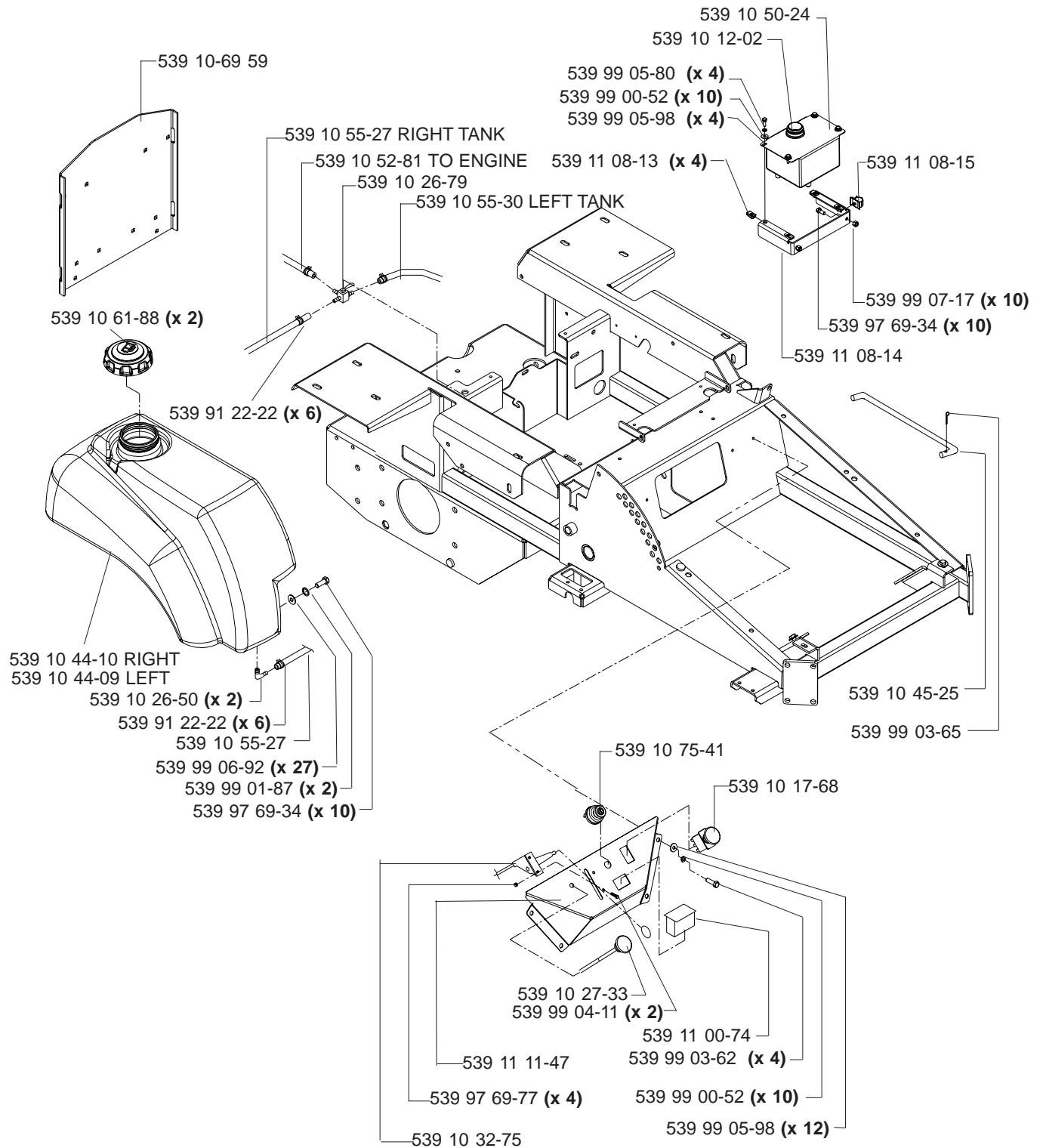
iZ21

Spare parts
Ersatzteile
Pièces détachées
Reserve onderdelen
Repuestos
Reservdelar

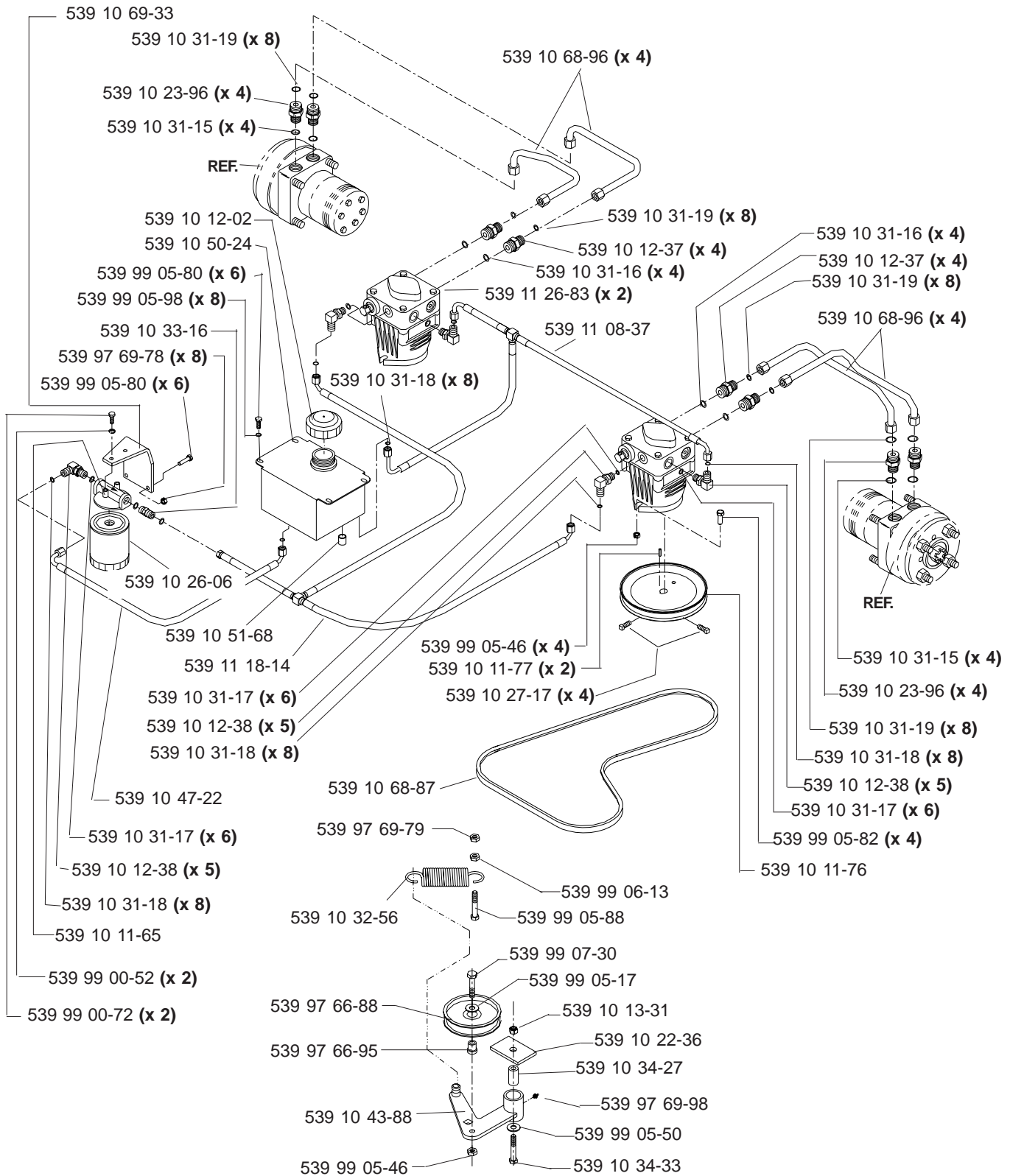
MAIN FRAME ASSEMBLY



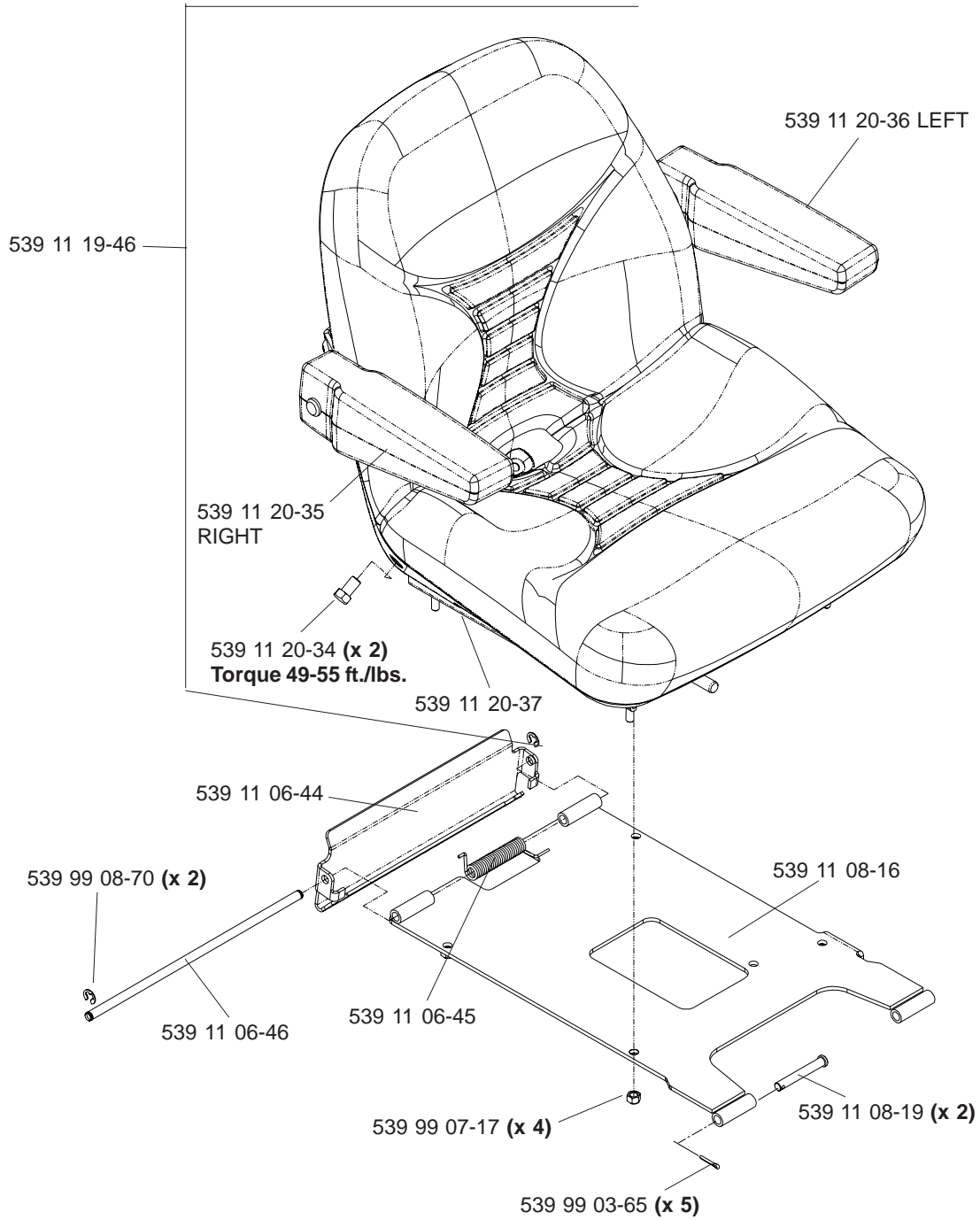
MAIN FRAME ASSEMBLY



HYDRAULIC ASSEMBLY (TL)

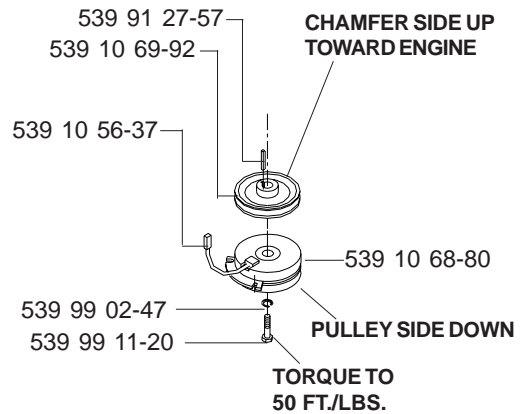
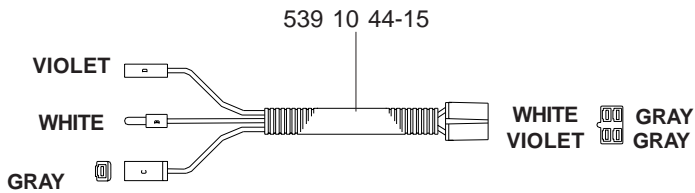
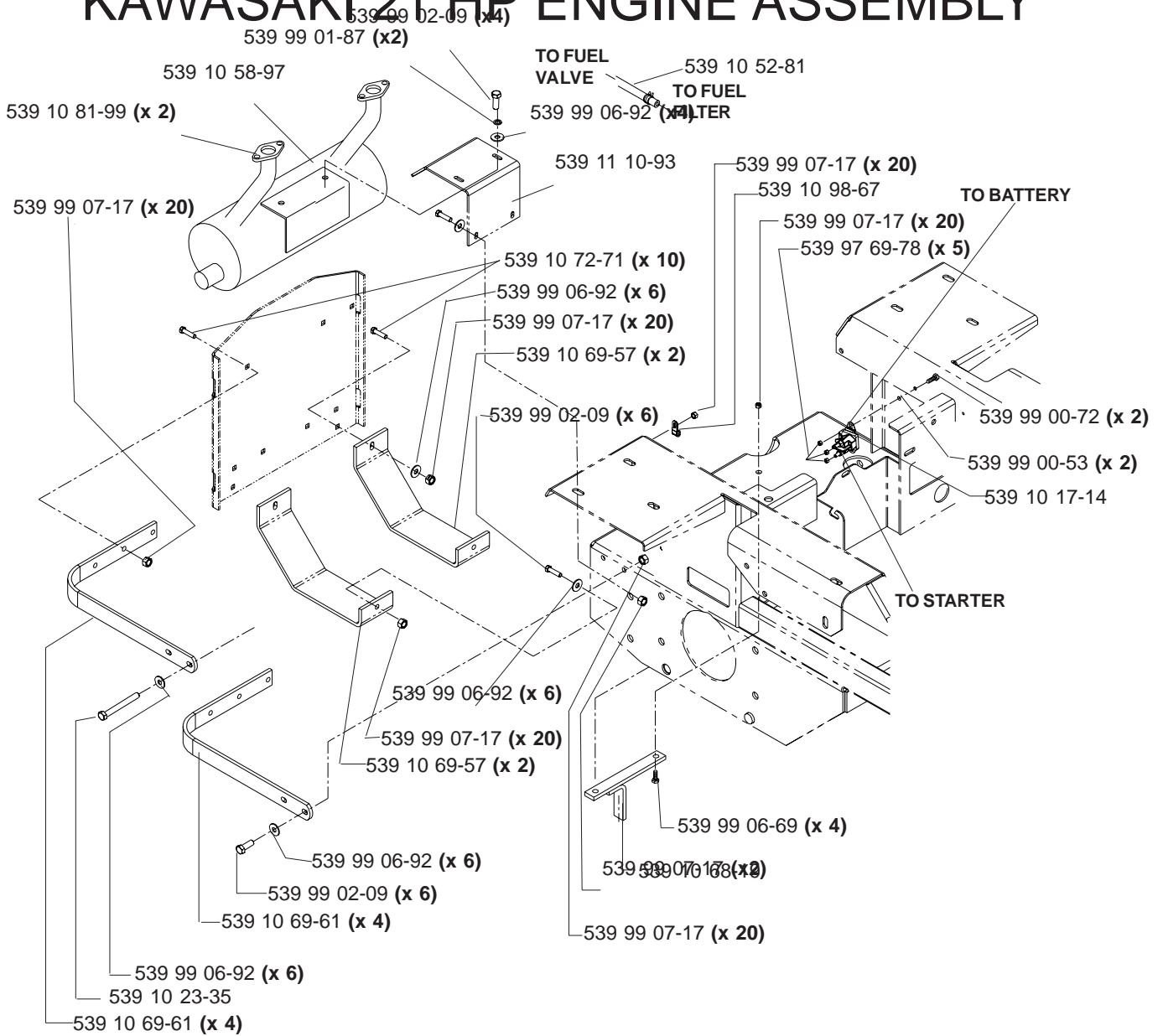


SEAT ASSEMBLY



539 10 87-45 1 SWITCH/SNAP MOUNT KIT (NOT SHOWN)

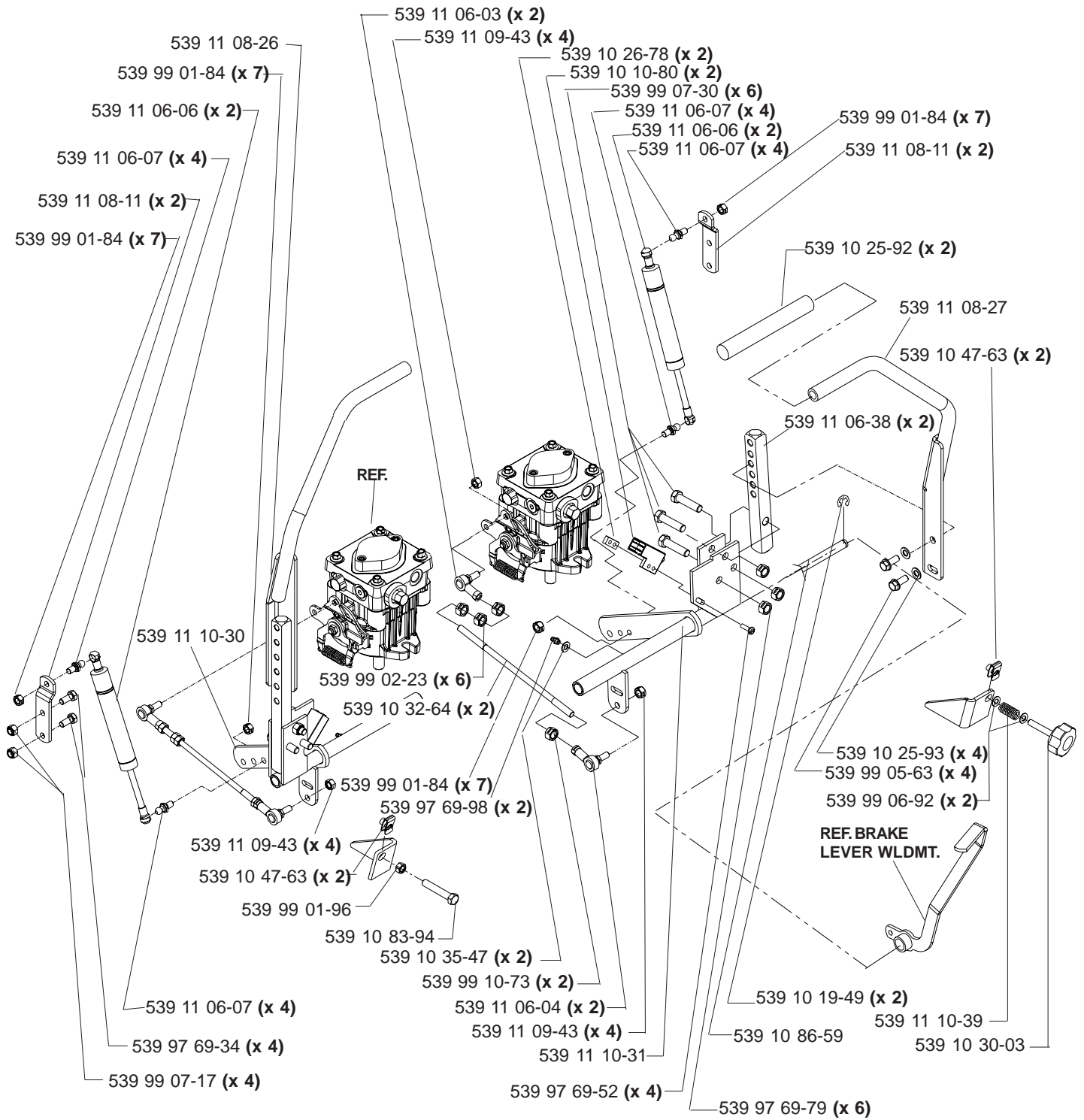
KAWASAKI 21 HP ENGINE ASSEMBLY



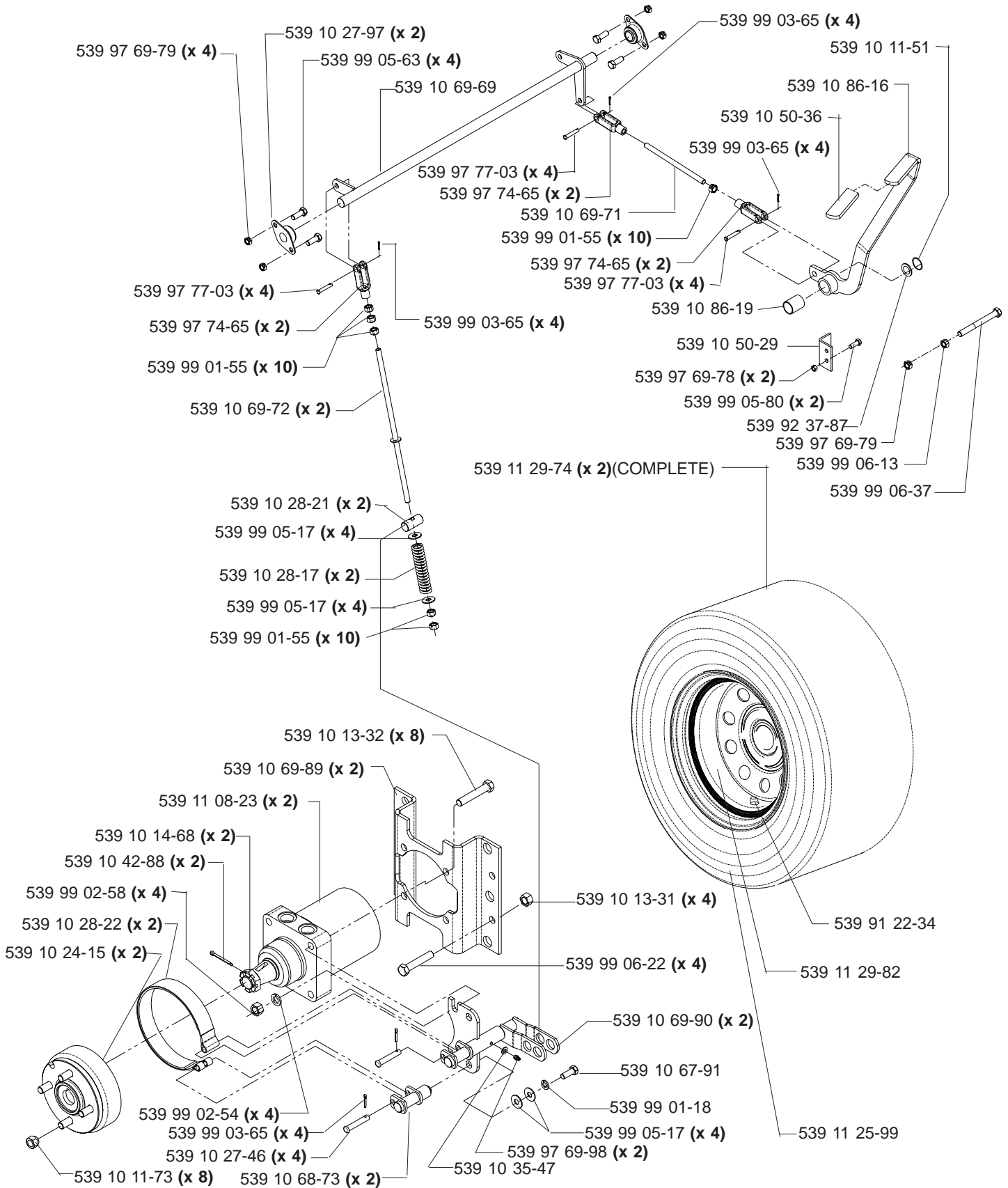
NOT SHOWN:

- 539 10 27-57 CABLE, POSITIVE
- 539 10 27-59 INSULATOR

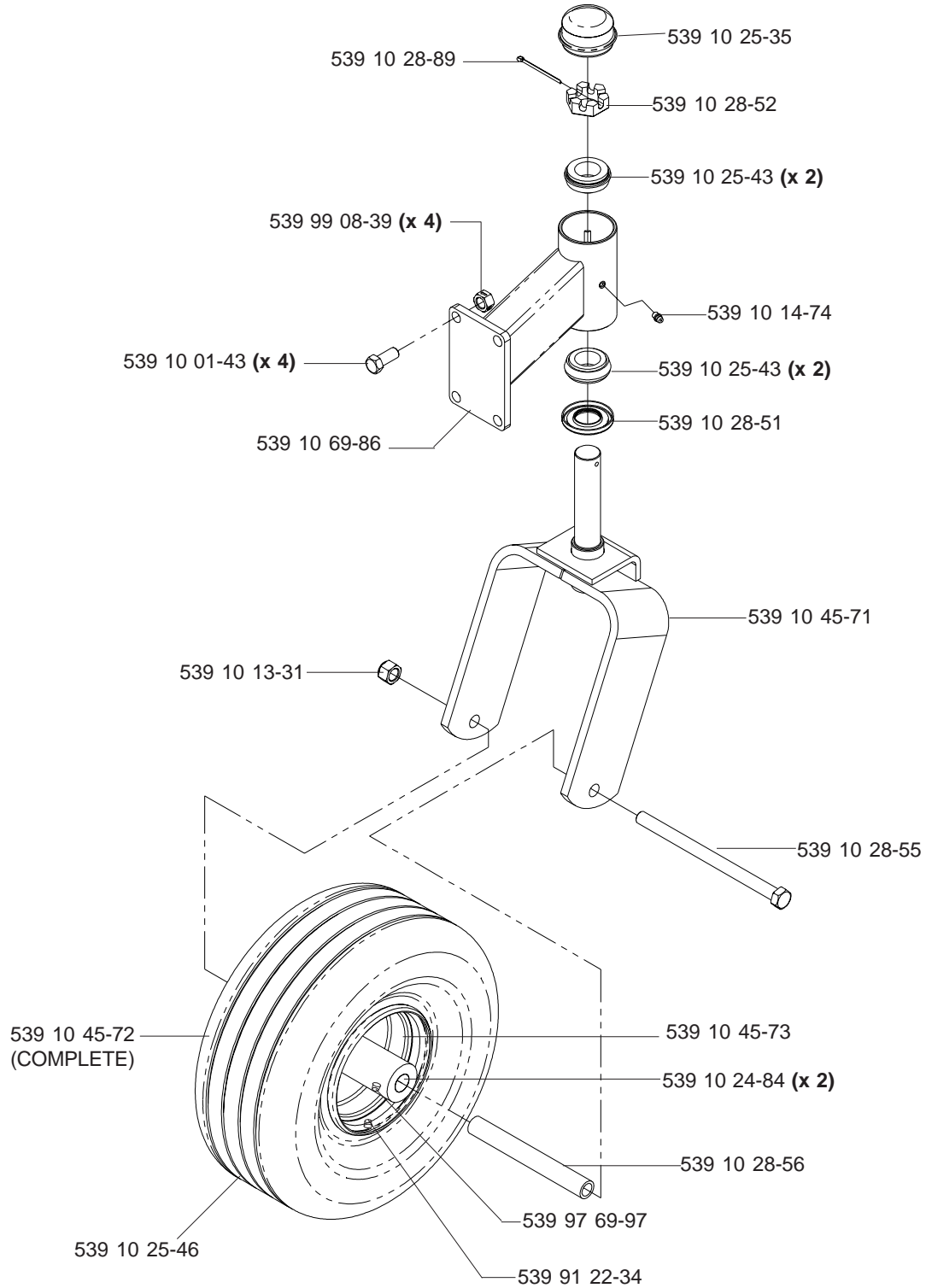
MOTION CONTROL ASSEMBLY



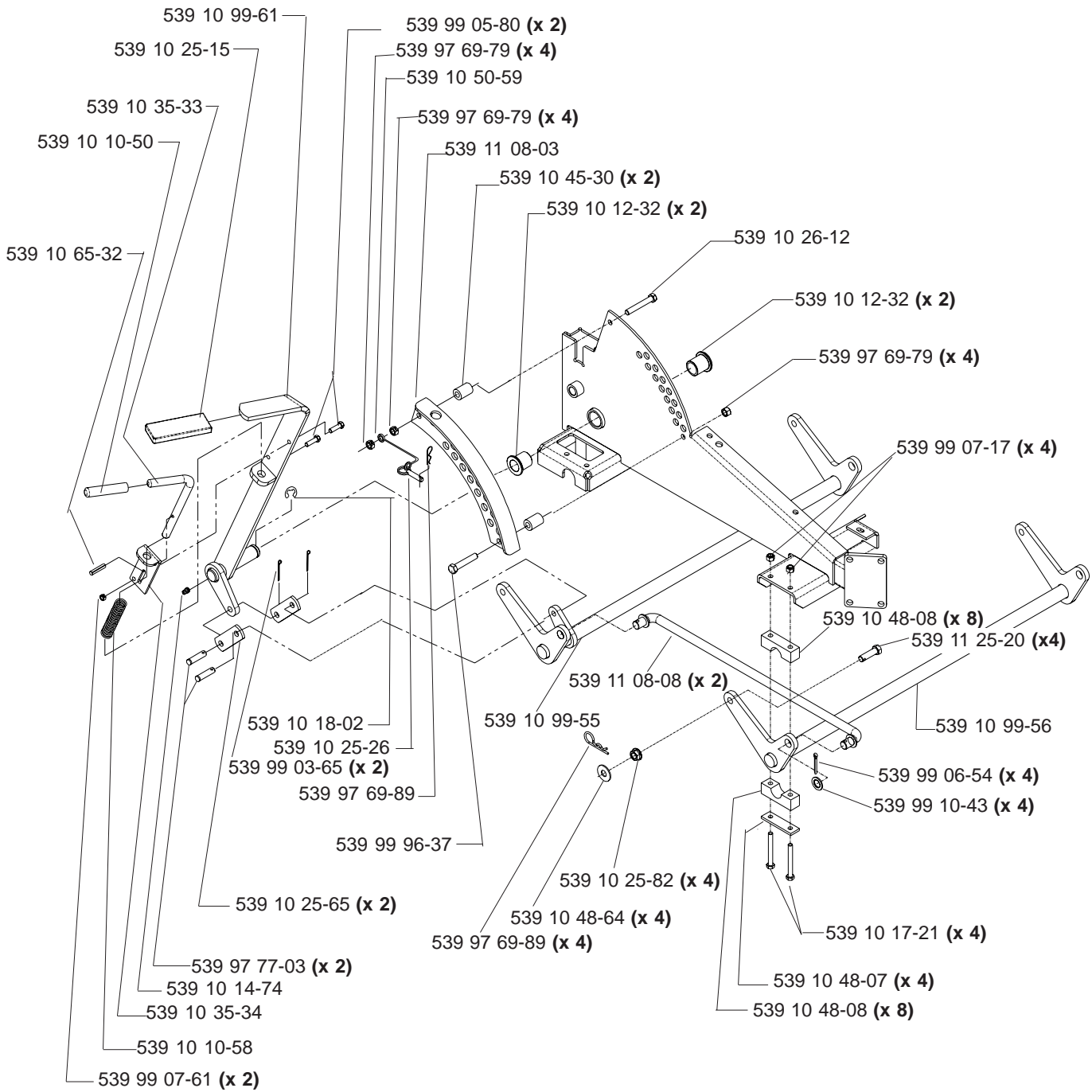
PARK BRAKE ASSEMBLY (TL)



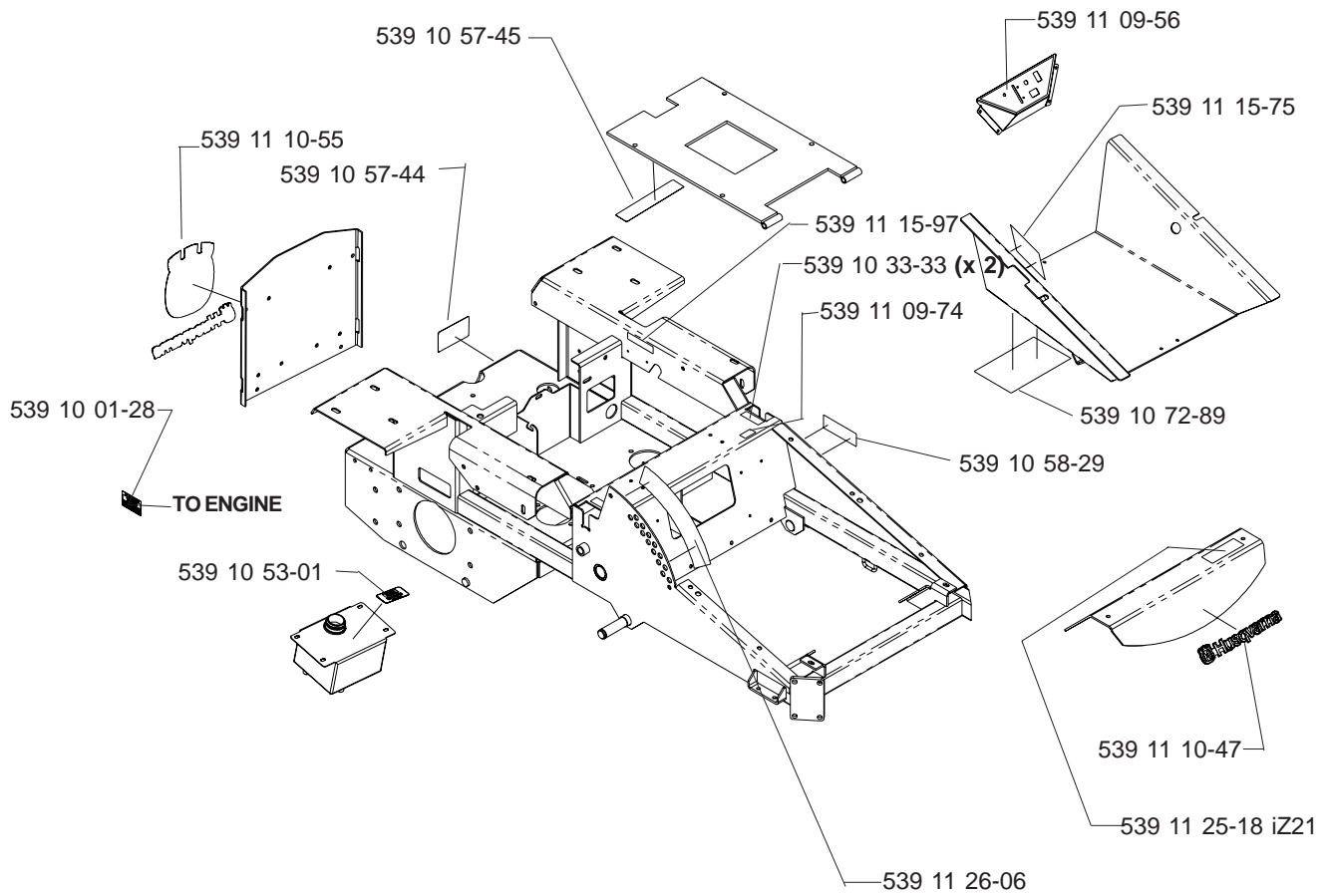
CASTER ARM



DECK LIFT ASSEMBLY



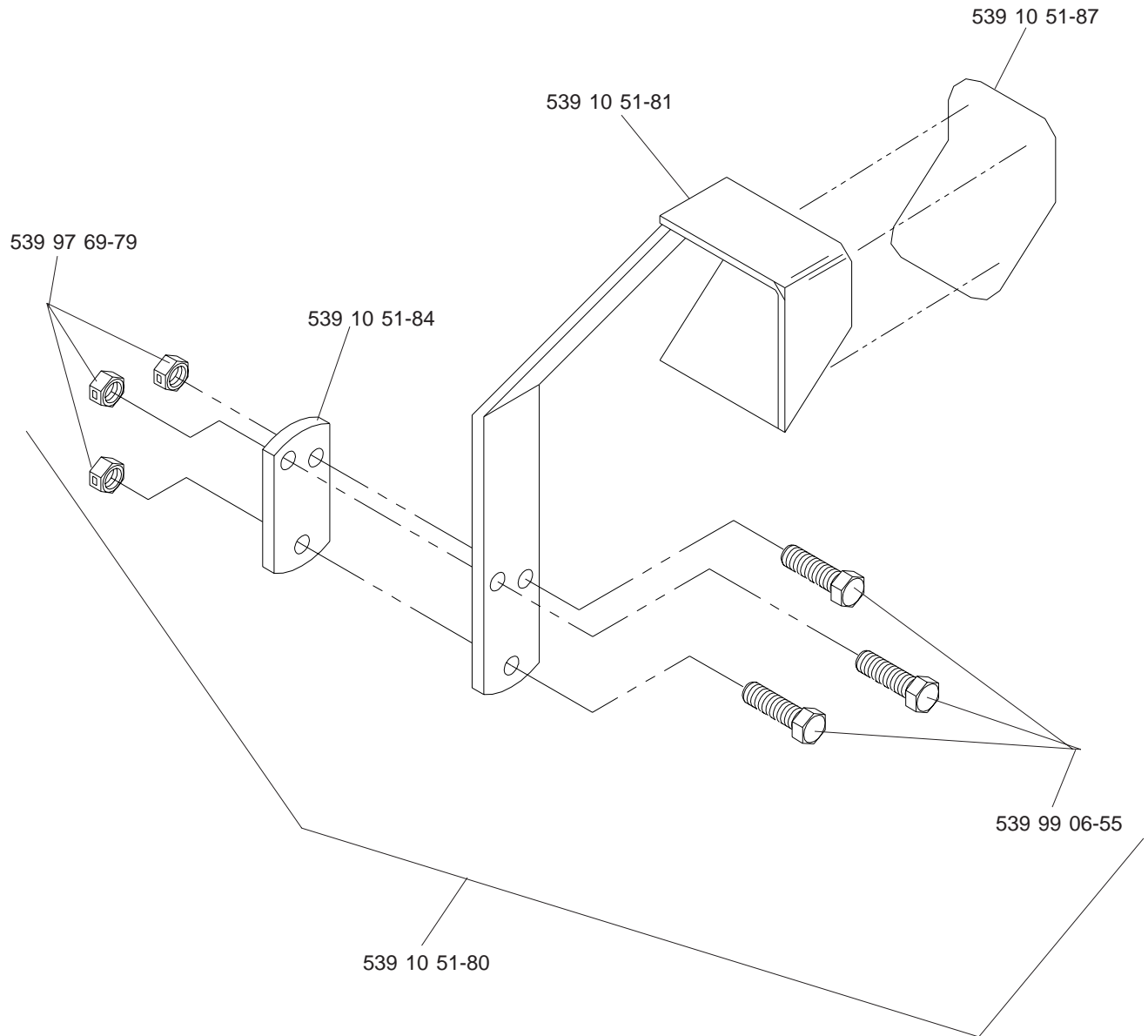
DECALS



NOT SHOWN:

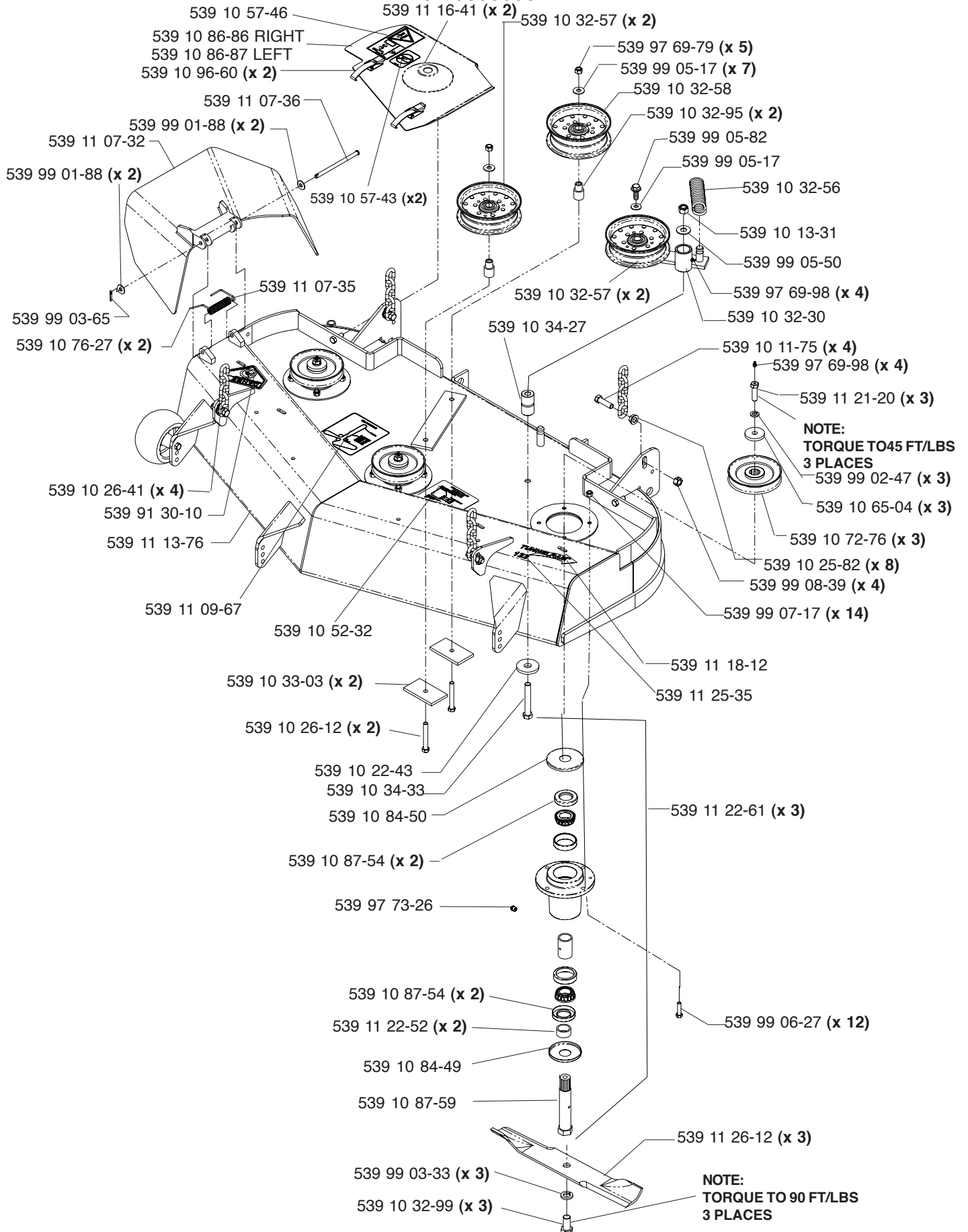
- 539 10 26-70 DECAL, FUEL VALVE
- 539 11 29-76 DECAL, CE 968999306
- 539 10 99-09 DECAL, HUSQVARNA, SEAT

LIFT PEDAL



48" DECK ASSEMBLY

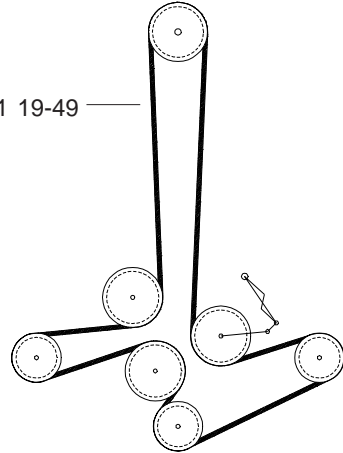
TRD48 / 96899342



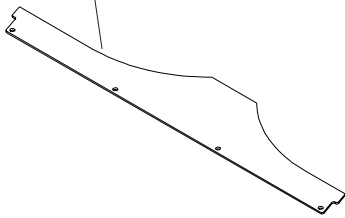
48" DECK ASSEMBLY

TRD48 / 968999342

539 11 19-49



539 11 13-71 (x 2)



539 97 69-79 (x 7)

539 99 05-17 (x 7)

539 10 26-43 (x 3)

539 10 26-98 (x 3)

539 10 55-32 (x 2)

539 10 27-54 (x 3)

539 99 01-88 (x 10)

539 97 69-34 (x 8)

539 97 69-34 (x 8)

539 97 69-34 (x 8)

539 99 01-88 (x 10)

539 11 16-21LEFT

539 99 07-17 (x 21)

539 99 01-88 (x 10)

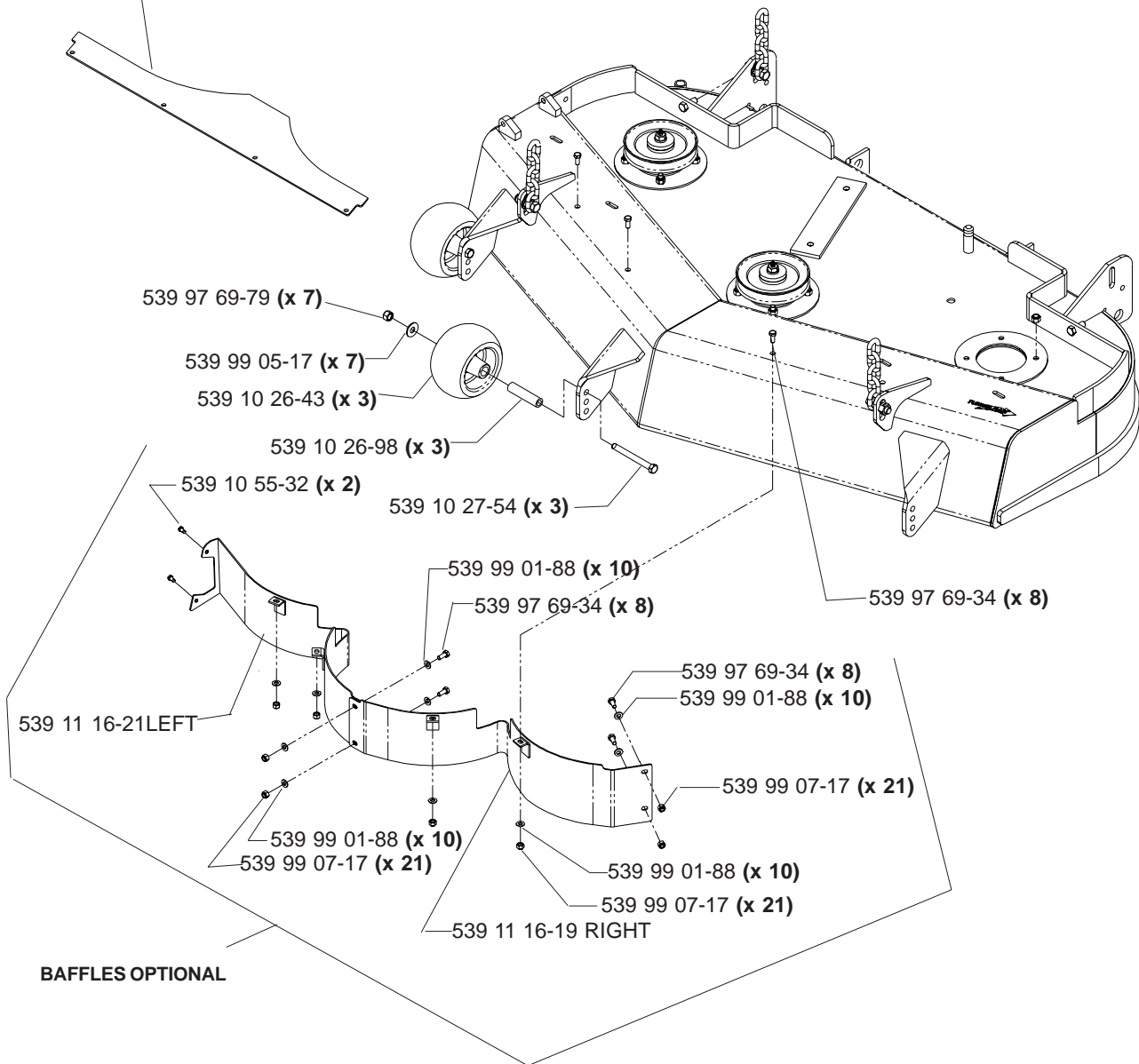
539 99 07-17 (x 21)

539 99 01-88 (x 10)

539 99 07-17 (x 21)

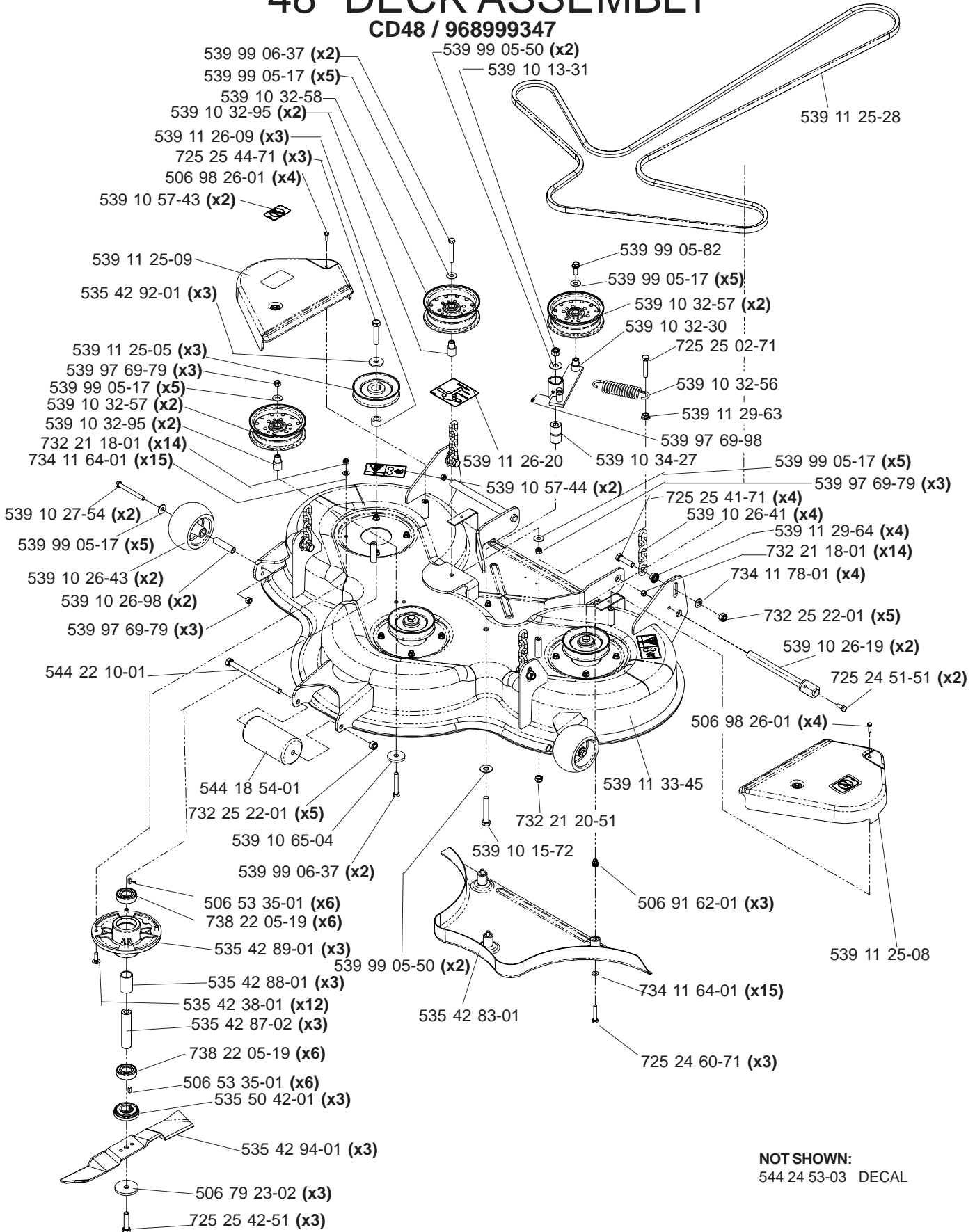
539 11 16-19 RIGHT

BAFFLES OPTIONAL



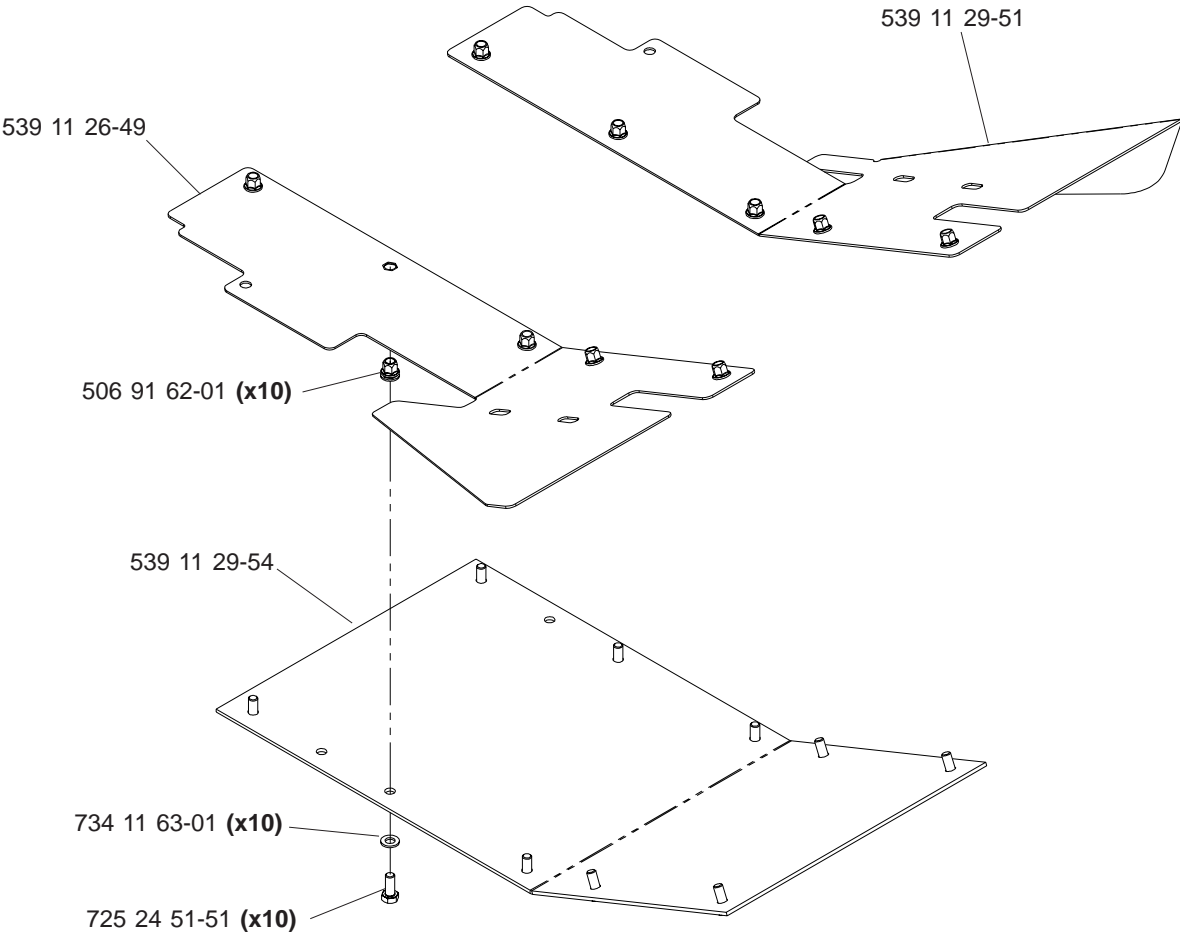
48" DECK ASSEMBLY

CD48 / 968999347

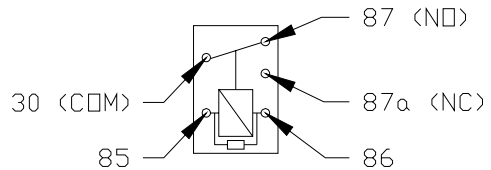
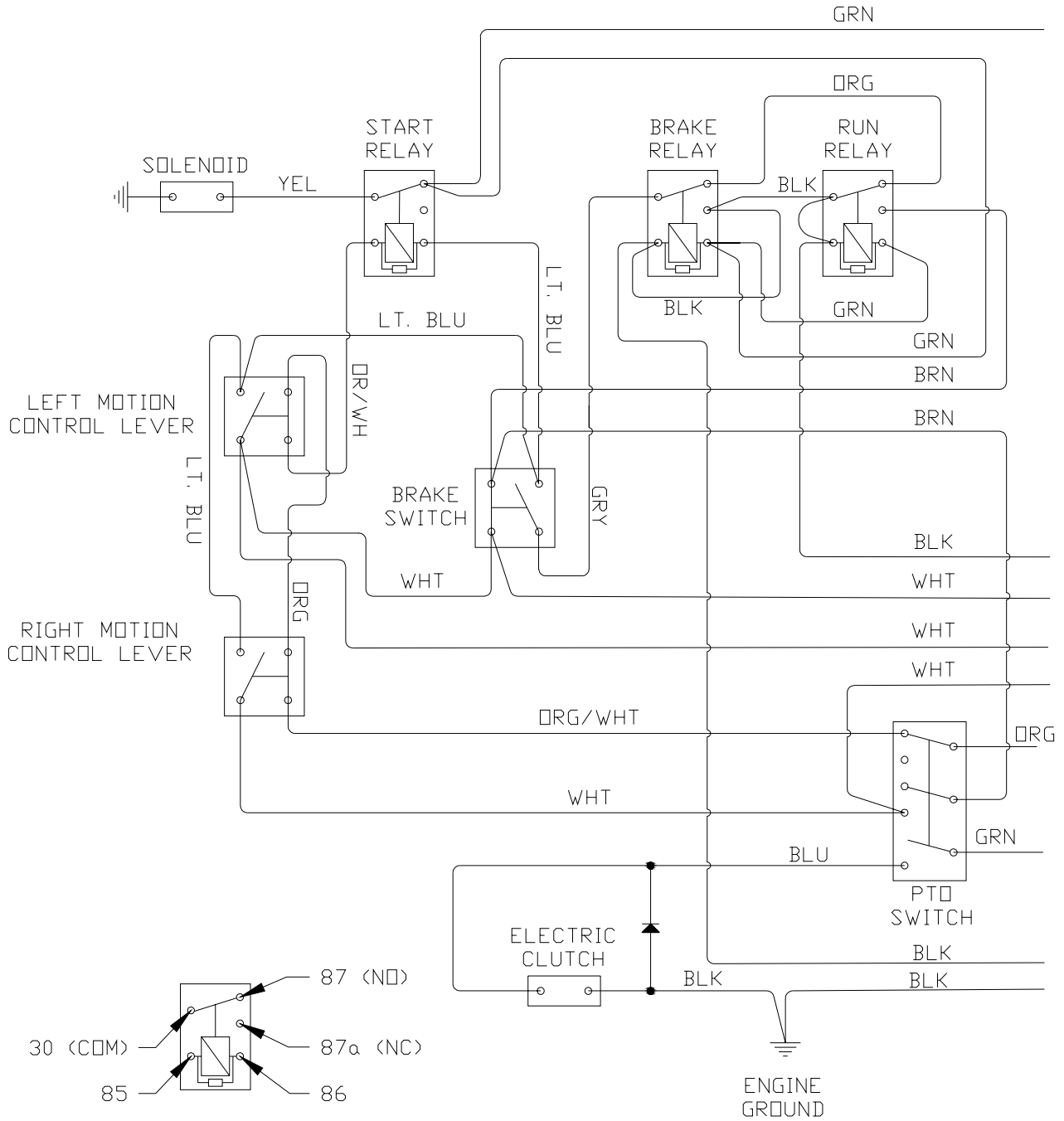


NOT SHOWN:
544 24 53-03 DECAL

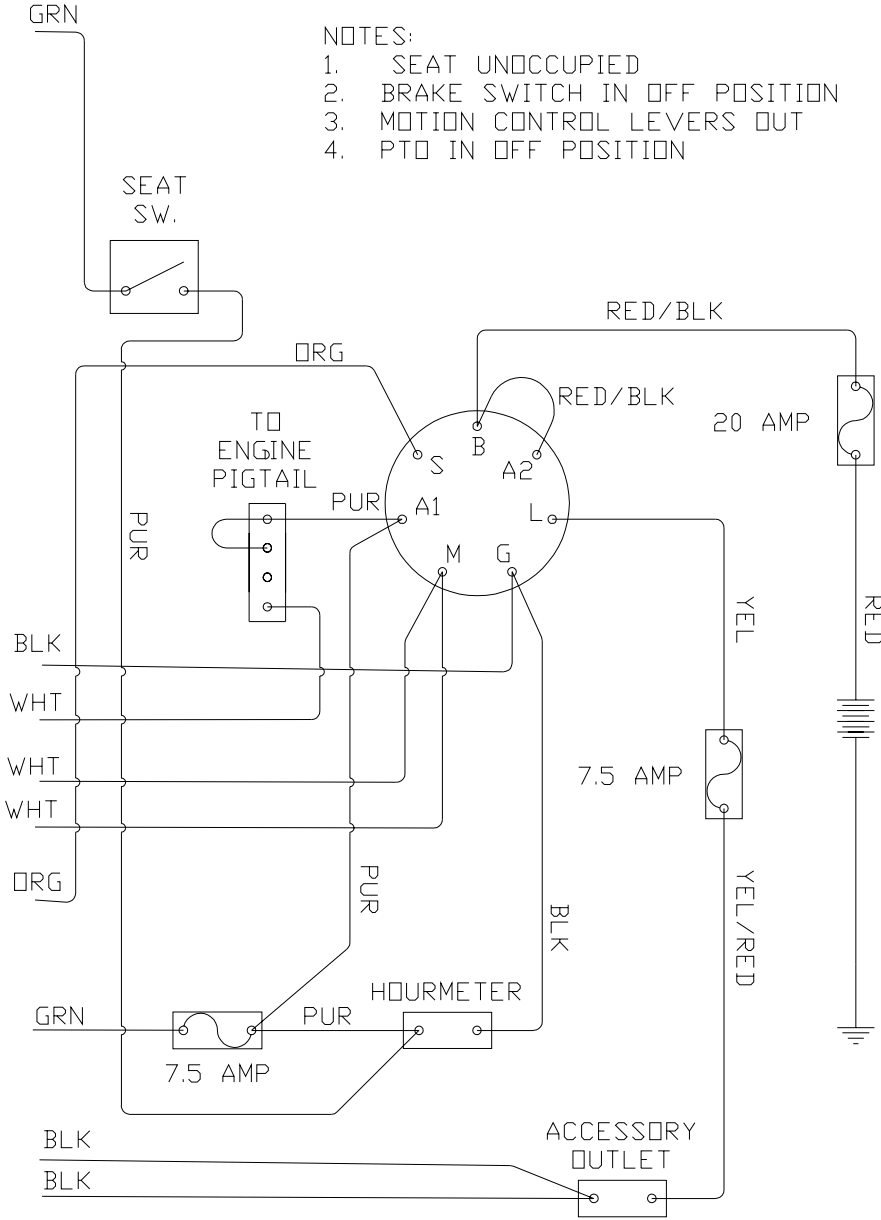
DEBRIS GUARDING



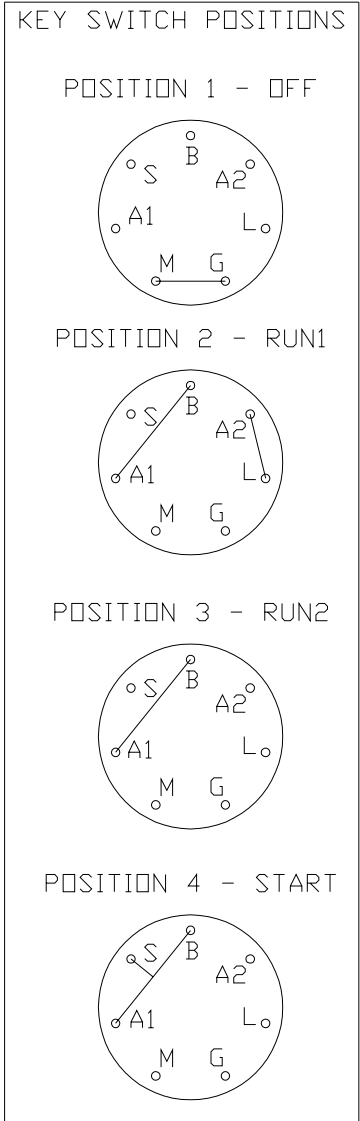
WIRING DIAGRAM



WIRING DIAGRAM



- NOTES:
1. SEAT UNOCCUPIED
 2. BRAKE SWITCH IN OFF POSITION
 3. MOTION CONTROL LEVERS OUT
 4. PTO IN OFF POSITION



PARTS DESCRIPTION

PART NO.	DESCRIPTION	PART NO.	DESCRIPTION
506 53 35-01	KEY	539 10 25-65	LIFT ARM
506 79 23-02	KNIVBRICKA	539 10 25-87	BUMPER
506 91 62-01	BLINDNITMUTTER	539 10 26-78	TAPPED PLATE
506 98 26-01	BOLT	539 10 25-92	GRIP
535 42 38-01	SKRUV	539 10 25-93	LOCKWASHER, 3/8
535 42 83-01	MULCH PLUG	539 10 26-06	FILTER
535 42 87-02	AXEL	539 10 26-12	HCS, 3/8-16 X 2 3/4, GR5
535 42 88-01	DISTANS	539 10 26-17	SCREW, #10-24 X 7/8
535 42 89-01	LAGERHUS	539 10 26-19	PIVOT PIN
535 42 92-01	BRICKA	539 10 27-59	INSULATOR
535 42 94-01	BLADE	539 10 26-41	LIFT CHAIN
535 50 42-01	KNIVFAST	539 10 26-43	ANTI-SCALP ROLLER
539 10 01-28	DECAL, EXHAUST	539 10 26-50	HOSE, 90 DEGREE BARB
539 10 01-43	HCS, 7/16-14 X 1, GR5	539 10 26-70	DECAL, FUEL
539 10 10-50	VINYL GRIP	539 10 26-79	FUEL VALVE
539 10 10-58	SPRING, COMPRESSION	539 10 26-98	BUSHING
539 10 10-80	INTERLOCK SWITCH	539 10 27-17	SET SCREW, 5/16C X 5/8
539 10 13-31	NUT, 1/2C, NYLOC	539 10 27-33	CHOKE CABLE
539 10 11-51	RETAINING RING, 7/8	539 10 27-46	CLEVIS PIN, 3/8 X 2
539 10 14-74	ZERK	539 10 27-54	HCS, 3/8-16 X 3 1/2, GR8
539 10 11-65	FILTER HEAD	539 10 27-57	CABLE, POSITIVE
539 10 11-73	LUG NUT, 1/2"	539 10 27-58	NEGATIVE CABLE
539 10 11-75	HCS, 7/16-14 X 1 1/2, GR5	539 10 27-97	FLANGE BEARING
539 10 11-76	PULLEY	539 10 32-56	SPRING
539 10 11-77	KEY, 5MM SQ X 25MM	539 10 28-17	SPRING
539 10 12-02	HYDRAULIC CAP	539 10 32-57	IDLER PULLEY
539 10 12-32	FLANGE BUSHING	539 10 28-21	TRUNION
539 10 12-37	F6400-8-8-0	539 10 28-22	BRAKE BAND
539 10 12-38	F6801-6-6-0	539 10 28-45	SPRING
539 10 13-31	NUT, 1/2-13, NYLOC	539 10 28-51	SEAL
539 10 13-32	HCS, 1/2-13 X 2 3/4, GR5	539 10 28-52	NUT, 1"-14, SLOTTED JAM
539 10 15-72	HCS, 1/2-13 X 3, GR5	539 10 28-55	HCS, 1/2-13 X 7 1/2, GR5
539 10 17-14	SOLINOID	539 10 28-56	SPACER
539 10 17-21	HCS, 5/16C X 2 3/4	539 10 28-89	COTTER PIN, 1/8 X 2
539 10 17-68	BLADE SWITCH	539 10 30-03	TRACL KNOB
539 10 18-02	E-RING, 7/8	539 10 31-15	O-RING
539 10 19-49	E-RING, 1/2	539 10 31-16	O-RING
539 10 21-15	WIRE TIE, 15"	539 10 31-17	O-RING
539 10 22-43	SUPPORT WASHER	539 10 31-18	O-RING
539 10 23-96	STRAIGHT FITTING	539 10 35-47	WASHER
539 10 24-15	HUB W/DRUM	539 10 31-19	O-RING
539 10 25-82	NUT, 7/16-14, WHZLK	539 10 32-30	IDLER ARM
539 10 24-31	PLASTIC TIE	539 10 32-58	IDLER PULLEY (TALL)
539 10 24-63	BATTERY	539 10 32-64	LINKAGE
539 10 24-84	END CAPS	539 10 32-75	THROTTLE CABLE
539 10 24-85	ROLLER BEARING, 2 1/2"	539 10 32-95	IDLER BUSHING
539 10 25-02	STUD	539 10 32-99	HCS, 5/8-18 X 1 1/4, GR5
539 10 25-15	HANDLE CUSHION	539 10 33-03	PAD
539 10 25-19	BUSHING	539 10 33-06	POSTIVE CABLE
539 10 25-26	HITCH PIN	539 10 33-16	F6400-6-6-0
539 10 25-35	GREASE CAP	539 10 33-33	DECAL, MOTION CONTROL
539 10 25-43	BEARING	539 10 34-27	PIVOT BUSHING
539 10 25-46	TIRE		

PARTS DESCRIPTION

PART NO.	DESCRIPTION	PART NO.	DESCRIPTION
539 10 34-33	HCS, 1/2C X 3 1/4, GR5	539 10 69-23	CONTROL, RIGHT
539 10 35-33	PIN	539 10 69-24	CONTROL, LEFT
539 10 35-34	PIN MOUNT, UPPER	539 10 69-33	FILTER BRACKET
539 10 41-97	STRUT MOUNT	539 10 69-41	FOOT REST
539 10 41-99	HCS, 5/8C X 2	539 10 69-57	SKID PLATE
539 10 42-88	COTTER PIN	539 10 69-59	ENGINE GUARD
539 10 44-08	IDLER ARM	539 10 69-61	STRAP
539 10 44-09	FUEL TANK, LEFT	539 10 69-69	BRAKE CROSS SHAFT
539 10 44-10	FUEL TANK, RIGHT	539 10 69-71	LINKAGE, SHORT
539 10 44-15	KAWASAKI PIGTAIL	539 10 69-72	LINKAGE
539 10 45-25	SEAT ROD	539 10 69-86	CASTER ARM
539 10 45-30	DECK LIFT SPACER	539 10 69-89	MOTOR STANDOFF
539 10 45-71	CASTER YOKE	539 10 69-90	BRAKE
539 10 45-72	TIRE (COMPLETE)	539 10 69-92	PULLEY
539 10 45-73	RIM	539 10 72-71	RHSSNB, 5/16C X 1
539 10 47-22	HOSE	539 10 72-76	PULLEY
539 10 47-63	"U" CLIP, 5/16C	539 10 72-89	DECAL, SERVICE
539 10 48-07	SUPPORT PLATE	539 10 75-41	IGNITION SWITCH
539 10 48-08	PILLOW BLOCKS	539 10 76-27	CAP-SLEEVE
539 10 48-64	WASHER, 7/16	539 10 81-99	GASKET, EXHAUST
539 10 50-24	OIL TANK	539 10 83-94	HCS, 5/16-18 X 1 3/4, TPBLT
539 10 50-29	BRACKET	539 10 84-49	BOTTOM DUST CAP
539 10 50-36	GRIP	539 10 84-50	TOP DUST CAP
539 10 50-38	SEAT MOUNT	539 10 86-16	BRAKE LEVER
539 10 50-39	STUD MOUNTS	539 10 86-19	BUSHING
539 10 50-59	LANYARD	539 10 86-59	CONTROL SHAFT
539 10 51-68	CAP	539 10 86-86	BELT SHIELD, RIGHT
539 10 51-81	LIFT PEDAL	539 10 86-87	BELT SHIELD, LEFT
539 10 51-84	TIGHTING PLATE	539 10 87-54	SHAFT SEAL
539 10 51-87	ANTI-SKID PAD	539 10 87-60	SPINDLE
539 10 52-32	DECAL, ANTI-SCALP	539 10 99-09	DECAL, SEAT, HUSQVARNA
539 10 52-81	FUEL HOSE, 29 1/2"	539 10 99-55	LIFT SHAFT, REAR
539 10 53-01	DECAL, MOBIL	539 97 69-78	NUT, 1/4C, NYLOC
539 10 55-27	FUEL HOSE, 24"	539 10 99-56	LIFT SHAFT, FRONT
539 10 55-30	FUEL HOSE, 34"	539 10 99-61	LIFT LEVER
539 10 55-32	SCREW, 1/4-20 X 1/2, SELF TAP	539 97 69-79	NUT, 3/8C, NYLOC
539 10 57-43	DECAL, EURO NO STEP	539 11 00-74	HOUR METER
539 10 57-44	DECAL, DANGER, BELT DRIVES	539 11 06-03	SPHERICAL ROD END, RIGHT
539 10 57-45	DECAL, WARNING BATTERY	539 11 06-04	SPHERICAL ROD END, LEFT
539 10 57-46	DECAL, EURO SEVERING	539 11 06-06	DAMPENER
539 10 58-29	DECAL, CE SOUND POWER	539 11 06-07	BALL STUD
539 10 58-97	MUFFLER, KAWASAKI	539 97 69-98	ZERK
539 10 61-69	KNOB	539 11 06-38	ARM, CONTROL SHAFT
539 10 61-88	FUEL CAP	539 11 06-44	SEAT LATCH
539 10 65-04	HEAVY WASHER	539 11 06-45	SPRING, TORSION
539 10 65-32	GROOVED PIN	539 11 06-46	SEAT LATCH ROD
539 10 67-91	HCS, 3/8-16 X 1, GR8	539 11 07-32	DISCHARGE CHUTE, 48"
539 10 68-19	CLUTCH TIE DOWN	539 11 07-35	SPRING, TORSION
539 10 68-73	BRAKE BAND SUPPORT	539 11 07-36	PIN, CLEVIS, 5/16
539 10 68-80	CLUTCH	539 11 08-03	ADJUSTMENT PLATE
539 10 68-87	PUMP BELT	539 11 08-08	DECK LIFT LINK
539 10 68-96	HYDRAULIC LINE	539 11 08-11	DAMPENER ARM
539 10 68-99	BATTERY HOLD DOWN		

PARTS DESCRIPTION

PART NO.	DESCRIPTION	PART NO.	DESCRIPTION
539 11 08-13	"U" TYPE RETAINER, 1/4C	539 11 26-71	PUMP, 10CC
539 11 08-14	TANK MOUNT	539 11 29-51	LEFT SHIELD
539 11 08-15	PUSH MT. WIRE CLIP	539 11 29-53	REAR GUARD
539 11 08-16	SEAT MOUNT	539 11 29-54	RUBBER SECTION
539 11 08-19	CLEVIS PIN	539 11 29-63	NUT, M10 X 1.5
539 11 08-23	WHEEL MOTOR	539 11 29-64	NUT, M12 X 1.75
539 11 08-26	DRIVE LEVER, RIGHT	539 11 29-74	TIRE & WHEEL ASSEMBLY
539 11 08-27	DRIVE LEVER, LEFT	539 11 29-76	DECAL, CE 968999306
539 11 08-37	T. ASSEMBLY	539 11 29-82	RIM
539 11 09-43	NUT, 5/16F, NYLOC	539 91 22-22	HOSE CLAMP
539 11 09-50	FRAME WIRE HARNESS	539 91 22-34	AIR VALVE
539 11 09-53	CONSOLE	539 91 27-57	KEY, 1/4 SQ. X 1 1/4
539 11 09-56	DECAL, CONSOLE	539 91 30-10	DECAL, CPSC
539 11 09-67	DECAL, BELT ROUTING	539 92 37-87	MACHINE BUSHING
539 11 09-74	DECAL, TRACKING	539 97 69-34	HCS, 5/16-18 X 3/4, GR5
539 11 10-39	SPRING	539 97 69-52	SCREW, #10-24 X 5/8
539 11 10-47	DECAL, HUSQVARNA	539 97 69-77	NUT, #10-24, NYLOC
539 11 10-55	DECAL, CROWN	539 97 69-78	NUT, 1/4C, NYLOC
539 11 10-98	FRAME W/DECALS	539 97 69-79	NUT, 3/8-16, NYLOC
539 11 13-71	48" CONFINEMENT PLATE	539 97 69-89	HAIR PIN #4
539 11 13-76	DECK W/DECALS	539 97 69-97	ZERK
539 11 15-73	FOOT PLATE	539 97 69-98	ZERK
539 11 15-75	DECAL, WARNING	539 97 73-26	GREASE POPET
539 11 15-97	DECAL, RELAYS	539 97 74-65	YOKE, 3/8F
539 11 16-19	FRONT BAFFLE, RIGHT	539 97 77-03	CLEVIS PIN, 3/8 X 1 1/8
539 11 16-21	FRONT BAFFLE, LEFT	539 97 77-78	ANTI-SKID PAD
539 11 16-41	BUTTON PLUG, 1"	539 99 00-52	LOCKWASHER, 1/4
539 11 18-12	DECAL, TUNNEL RAM 6"	539 99 00-53	LOCKWASHER, 1/4
539 11 18-14	T. ASSEMBLY	539 99 00-72	HCS, 1/4C X 5/8
539 11 19-46	SEAT, COMPLETE	539 99 01-18	LOCKWASHER, 3/8
539 11 19-49	DECK BELT, 48"	539 99 01-34	HCS, 3/8-16 X 3/4, GR5
539 11 20-35	SEAT ARM, RIGHT	539 99 01-55	NUT, 3/8F
539 11 20-36	SEAT ARM, LEFT	539 99 01-84	LOCKNUT, 5/16C
539 11 20-37	TRACK ADJUSTMENT KIT	539 99 01-87	LOCKWASHER, 5/16
539 11 21-20	HCS, 7/16-20 X 1 1/2, GR8, SPEC	539 99 01-88	WASHER, 5/16
539 11 22-61	SPINDLE ASSEMBLY	539 99 01-96	NUT, 5/16C
539 11 25-05	PULLEY, 48	539 99 02-09	HCS, 5/16-18 X 1, GR5
539 11 25-08	BELT SHIELD, LEFT	539 99 02-23	NUT, 5/16F
539 11 25-09	BELT SHIELD, RIGHT	539 99 02-47	LOCKWASHER, 7/16
539 11 25-20	HCS, 7/16-14 X 1 1/2, GR5	539 99 02-54	LOCKWASHER, 1/2
539 11 25-28	DECK BELT, 48"	539 99 02-58	NUT, 1/2
539 11 25-35	DECAL, 122	539 99 03-33	LOCKWASHER, 5/8
539 11 33-45	DECK W/DECALS	539 99 03-62	TFS, 1/4C X 5/8
539 11 25-99	TIRE, 23 X 9.50 - 12	539 99 03-65	PIN, COTTER, 1/8 X 3/4
539 11 26-06	DECAL, HEIGHT	539 99 04-11	HCS, #10-24 X 1/2
539 11 26-09	KEY RETAINER	539 99 05-17	WASHER, 3/8
539 11 26-12	BLADE, 16 1/4"	539 99 05-46	NUT, 3/8C, LOCK
539 11 26-20	DECAL, BELT ROUTING	539 99 05-50	WASHER, 1/2
539 11 26-46	STRUT, LEFT	539 99 05-63	HCS, 3/8C X 1
539 11 26-47	STRUT, RIGHT	539 99 05-80	HCS, 1/4-20 X 3/4, GR5
539 11 26-49	RIGHT SHIELD	539 99 05-82	HCS, 3/8-16 X 1, GR5, WHIZLK
		539 99 05-88	HCS, 3/8C X 2

PARTS DESCRIPTION

PART NO.	DESCRIPTION
539 99 05-98	WASHER, 1/4
539 99 06-13	NUT, 3/8C, WHIZ
539 99 06-22	HFCS, 1/2C X 1 1/4
539 99 06-27	HCS, 5/16-18 X 1 1/4, GR5
539 99 06-37	HCS, 3/8-16 X 2 1/2, GR5
539 99 06-54	COTTER PIN
539 99 06-55	HCS, 3/8C X 1 1/2
539 99 06-69	HCS, 5/16C X 1 3/4
539 99 06-92	WASHER, 5/16
539 99 07-17	NUT, 5/16-18, NYLOC
539 99 07-30	HCS, 3/8-16 X 1 3/4, GR5
539 99 07-61	NUT, 1/4C, CENTER LOCK
539 99 08-39	NUT, 7/16-14, CENTERLOCK
539 99 08-70	RETAINING RING
539 99 10-34	SCREW, SELF TAPPING
539 99 10-43	MACHINE BUSHING, 5/8
539 99 10-73	NUT, 5/16F, JAM, LEFT HAND
539 99 11-20	HCS, 7/16F X 2 1/2
544 18 54-01	ROLLER
544 22 10-01	BOLT M12 X 1.75 X 180MM
544 24 53-03	DECAL
725 24 51-51	BOLT, M8 X 1.25 X 20MM
725 24 60-71	BOLT, M8 X 1.25 X 45MM
725 25 02-71	BOLT, M10 X 1.5 X 55MM
725 25 41-71	BOLT, M12 X 1.75 X 45MM
725 25 42-51	BOLT, M12 X 1.75 X 50MM
725 25 44-71	BOLT, M12 X 1.75 X 60MM
732 21 18-01	NUT, M8
732 21 20-51	NUT, M10
732 25 22-01	NUT, M12
734 11 64-01	WASHER
734 11 78-01	WASHER, 13 X 24 X 2.7
738 22 05-19	BEARING