

LZ25

Spare parts

Ersatzteile

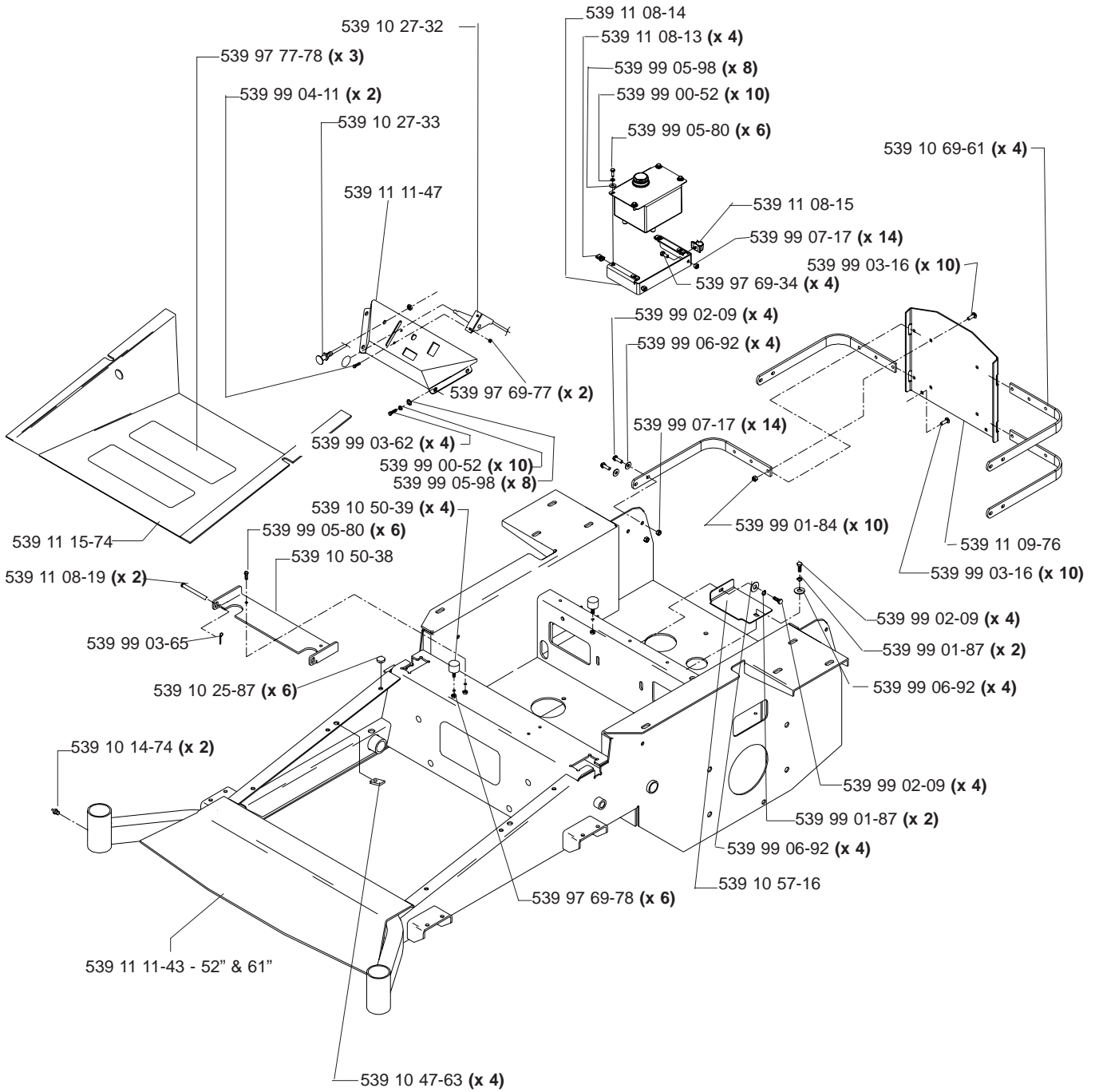
Pièces détachées

Reserve onderdelen

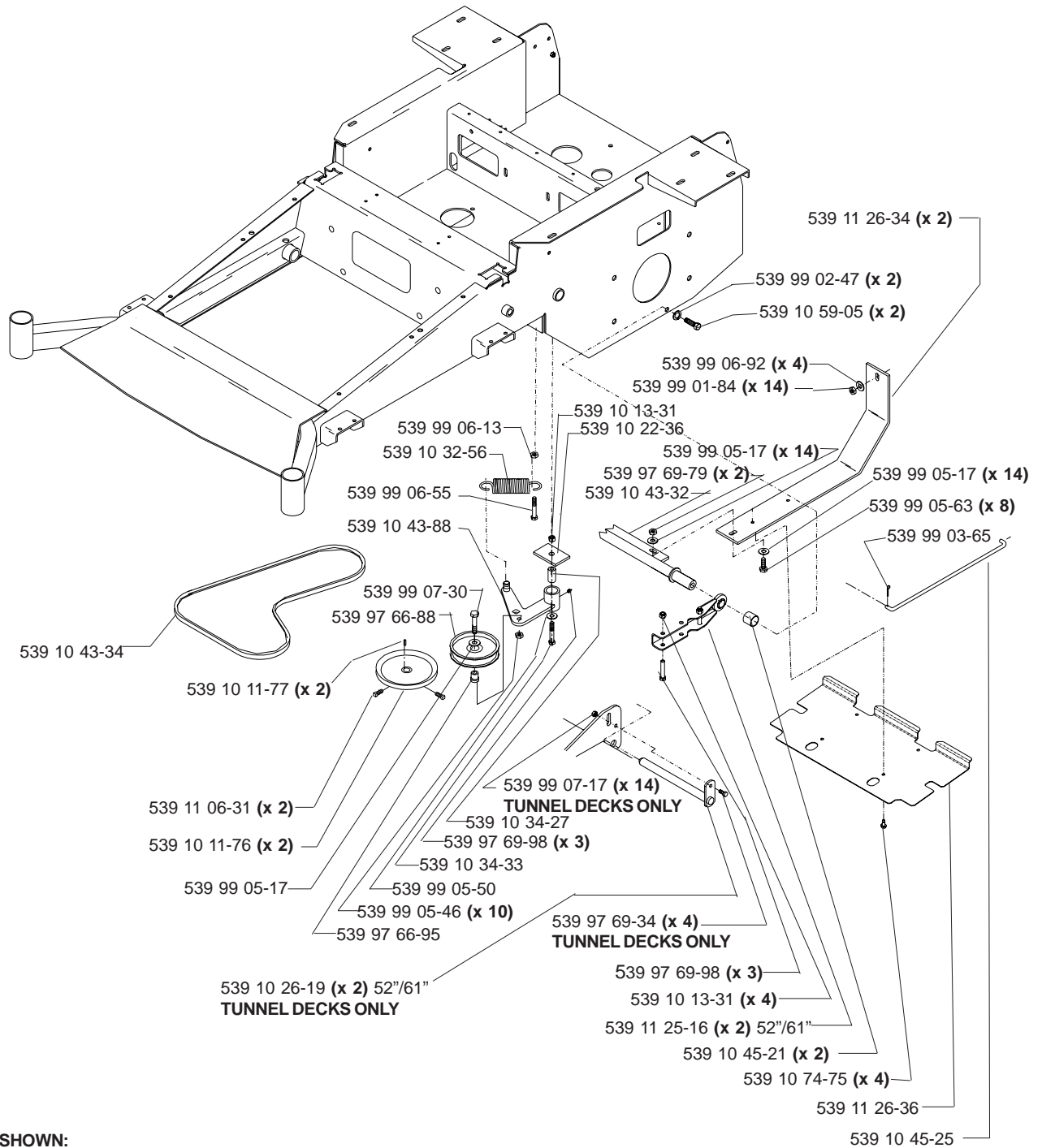
Repuestos

Reservdelar

Main Frame Assembly



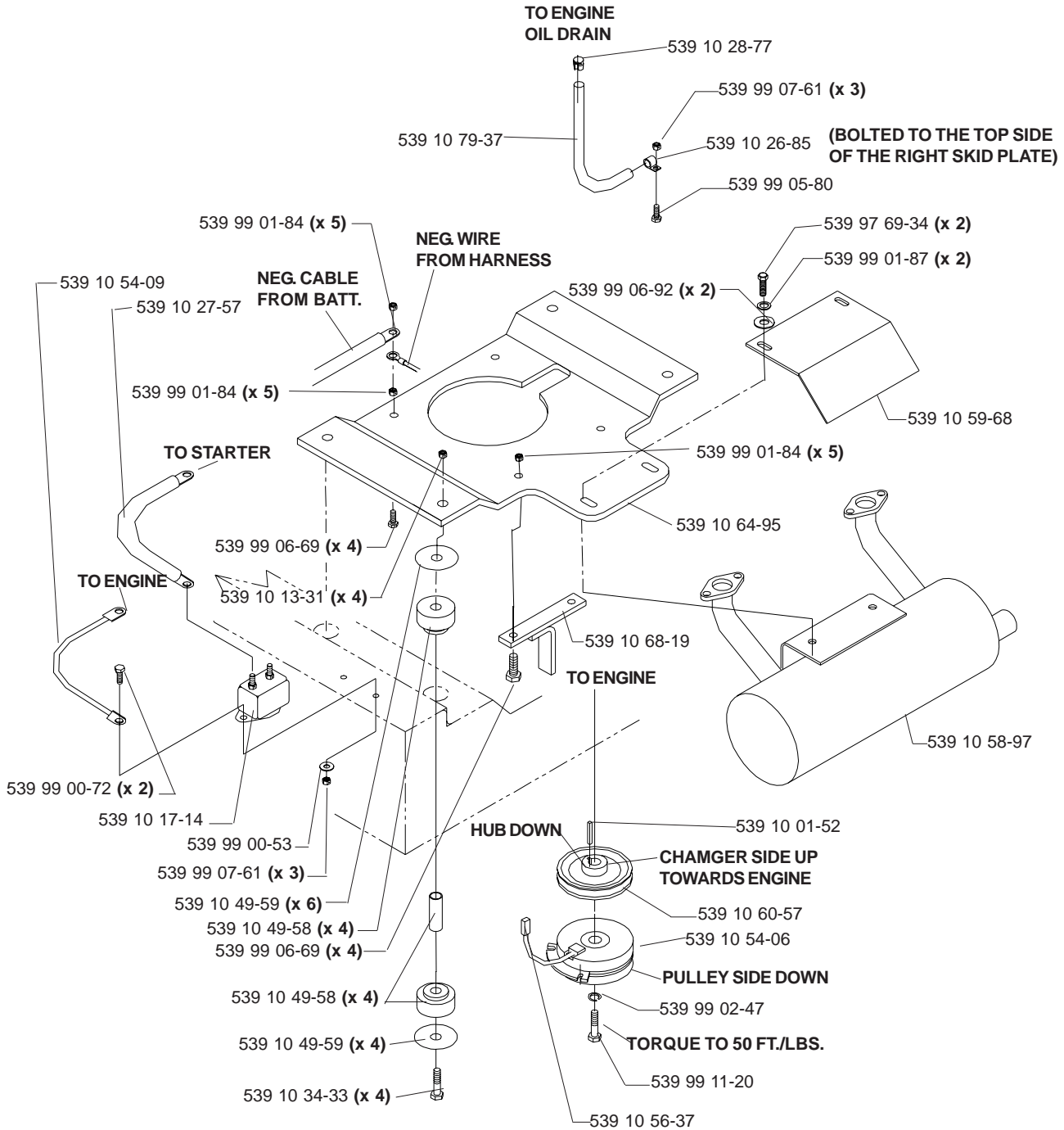
Main Frame Assembly



NOT SHOWN:

- 539 10 59-74 (x3) - RUBBER GROMMET
- 539 10 21-15 (x2) - PLASTIC TIE

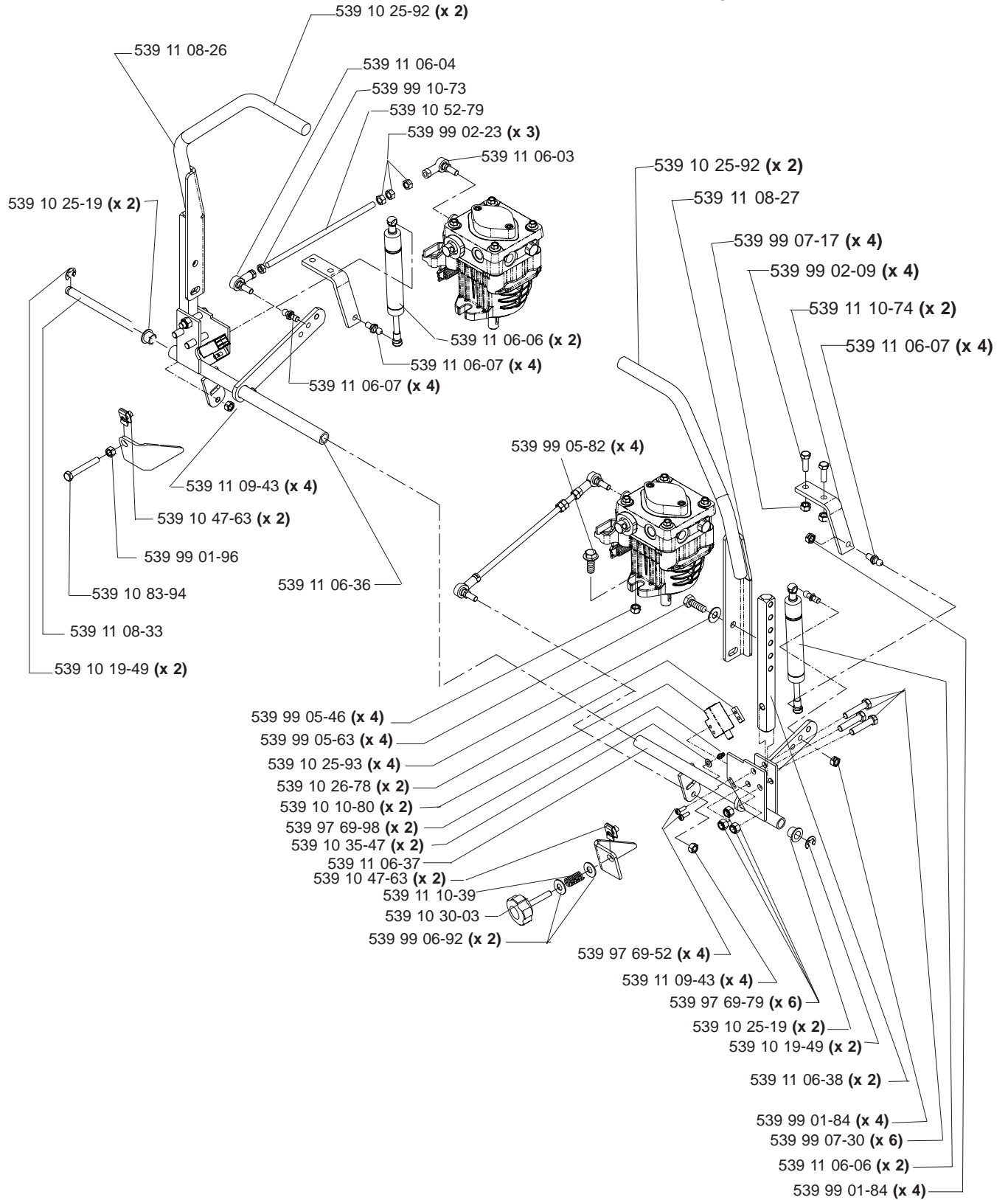
Kawasaki Engine Assembly



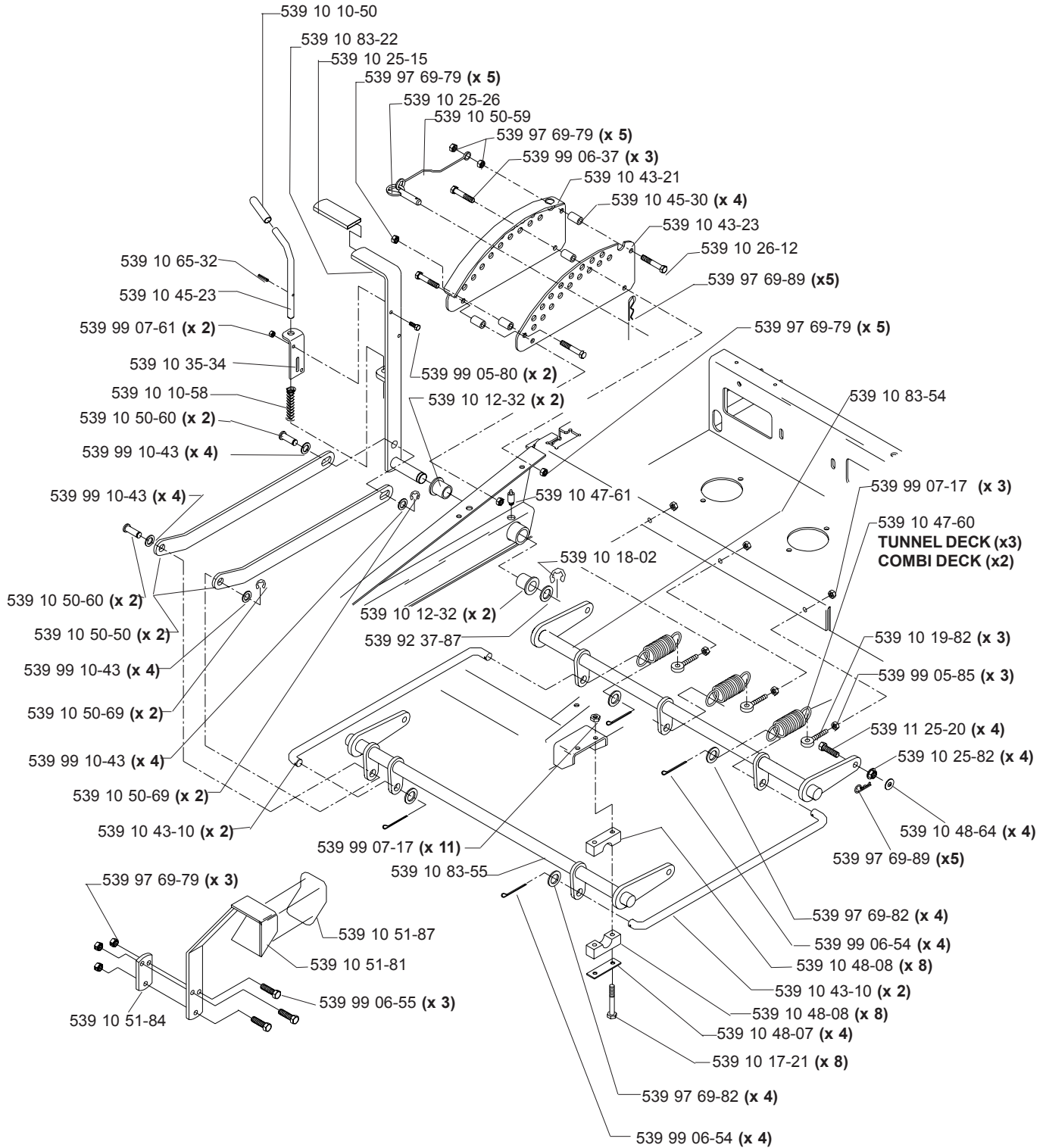
NOT SHOWN:

- 539 10 27-33 CHOKE CONTROL
- 539 10 27-59 (x 2) INSULATOR
- 539 10 44-15 KAWASAKI PIGTAIL

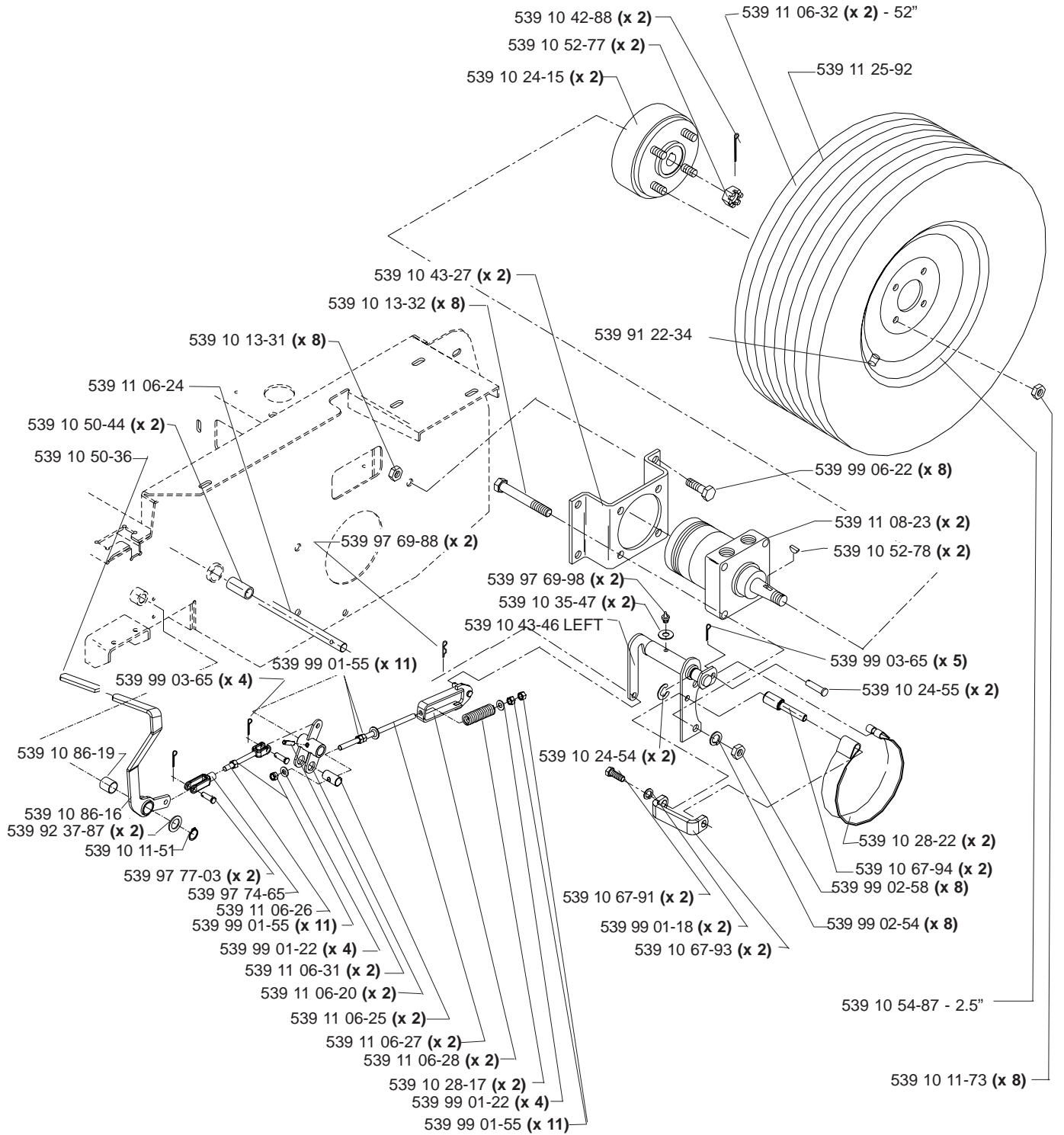
Motion Control Assembly



Deck Lift Assembly

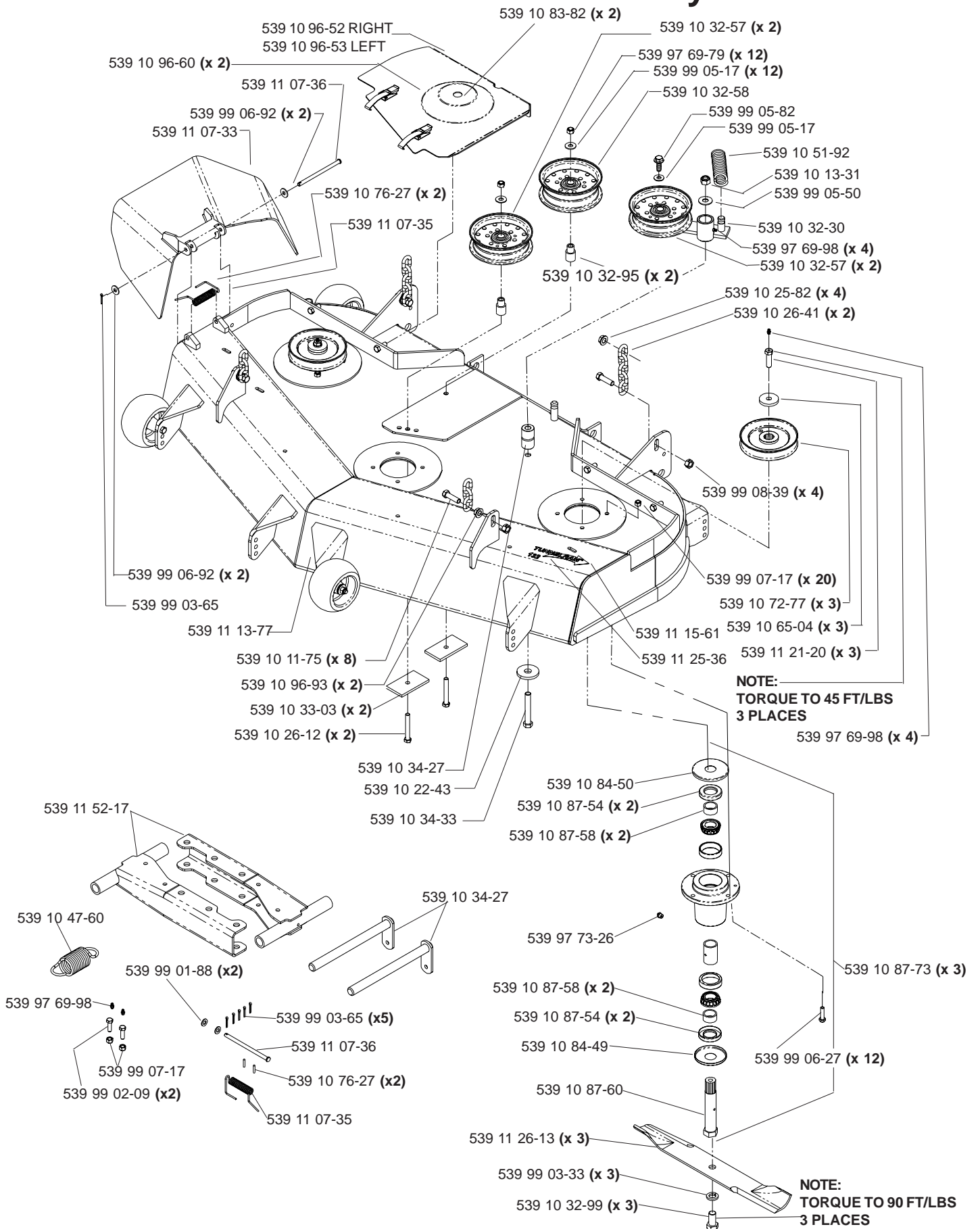


Park Brake Assembly

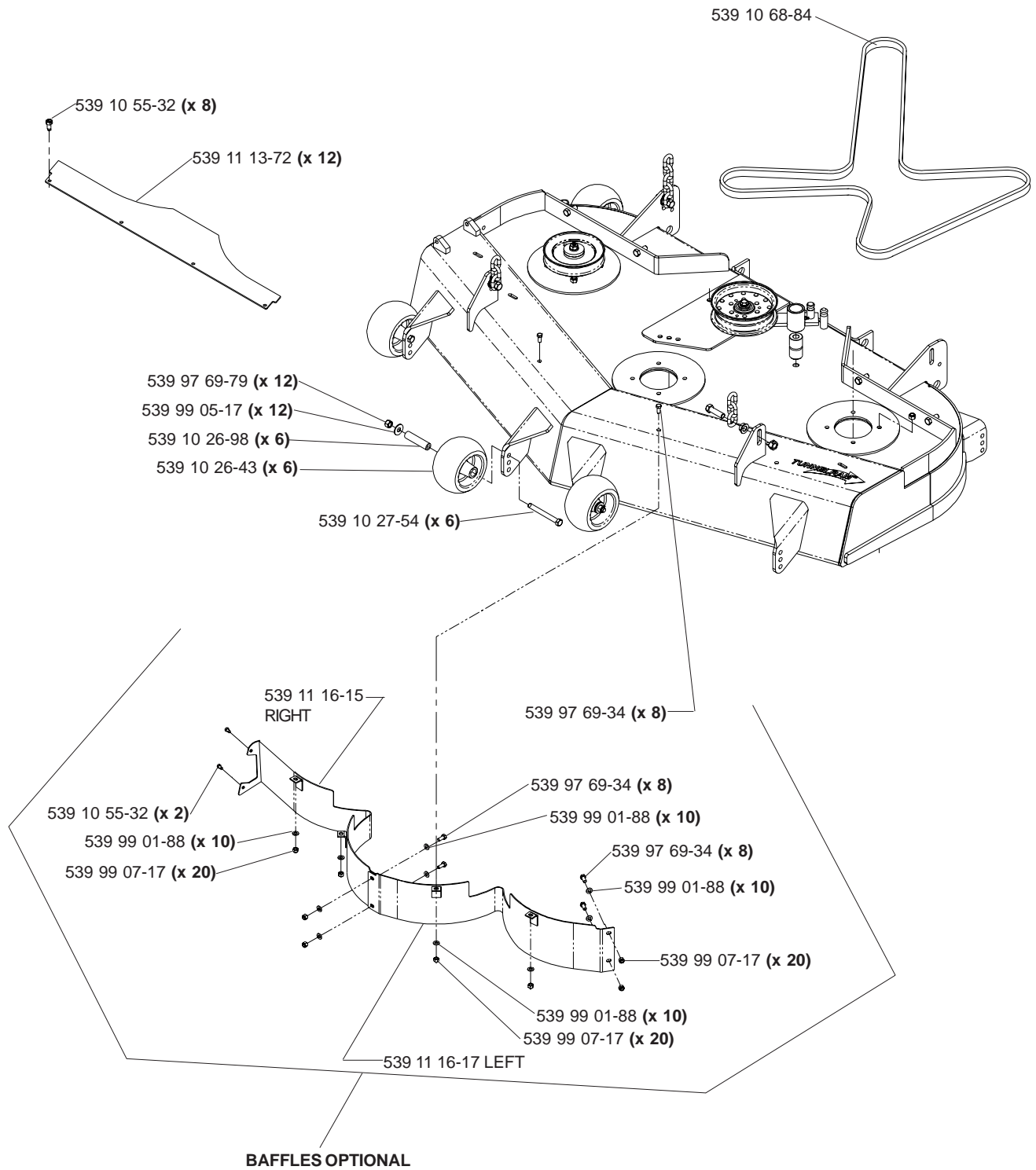


539 10 43-47 BRAKE BRACKET, RIGHT (NOT SHOWN)

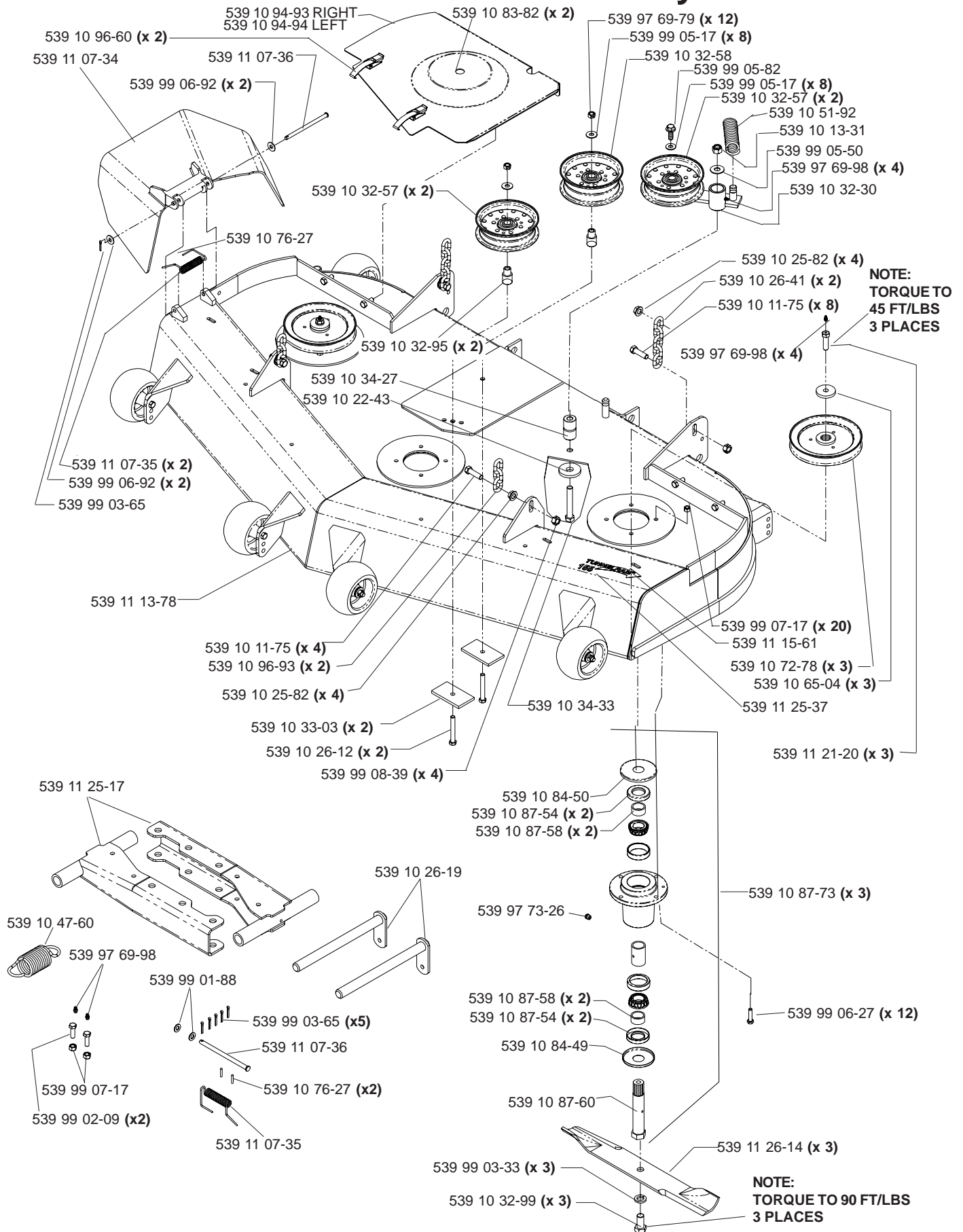
52" Front Deck Assembly



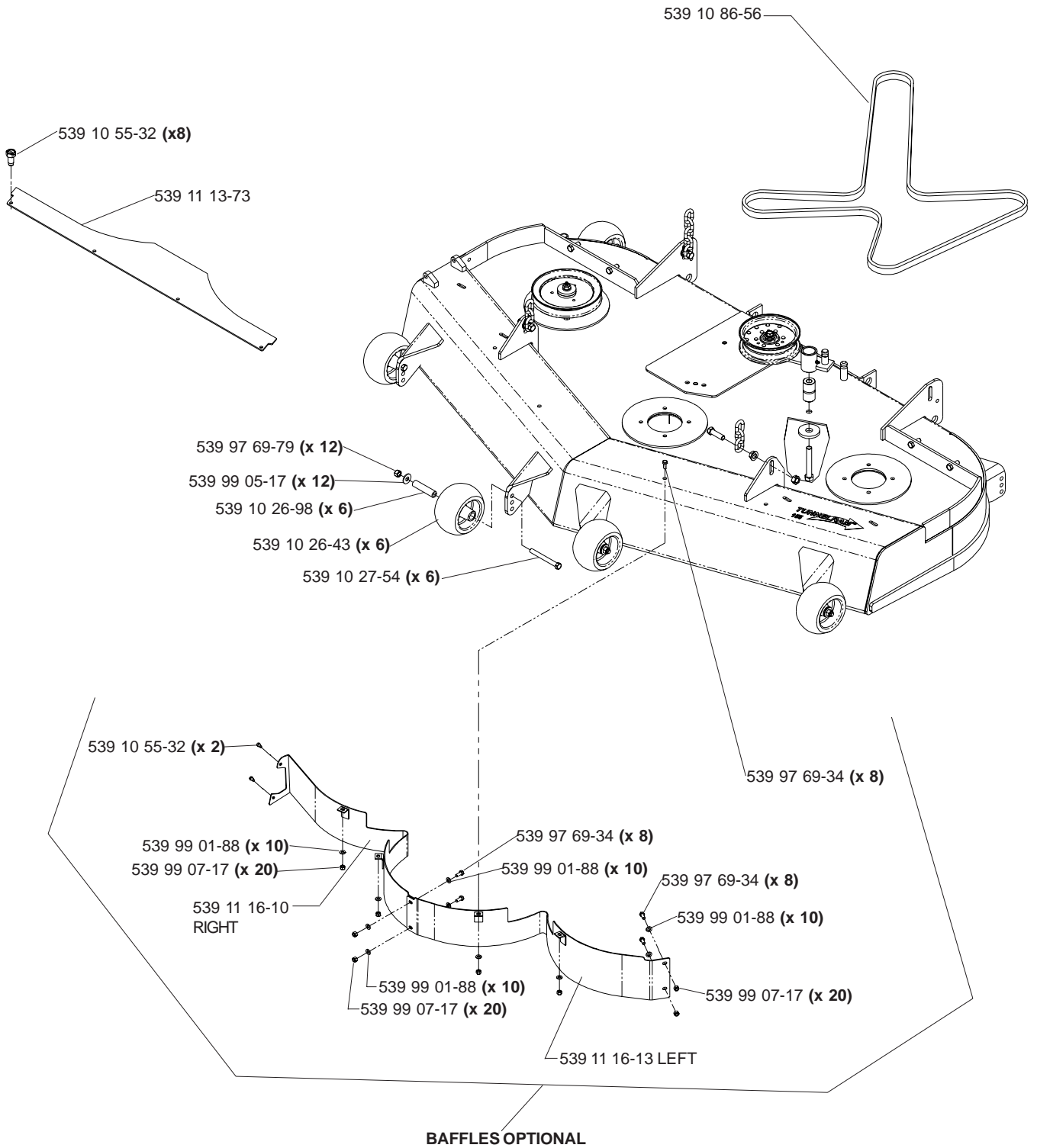
52" Front Deck Assembly



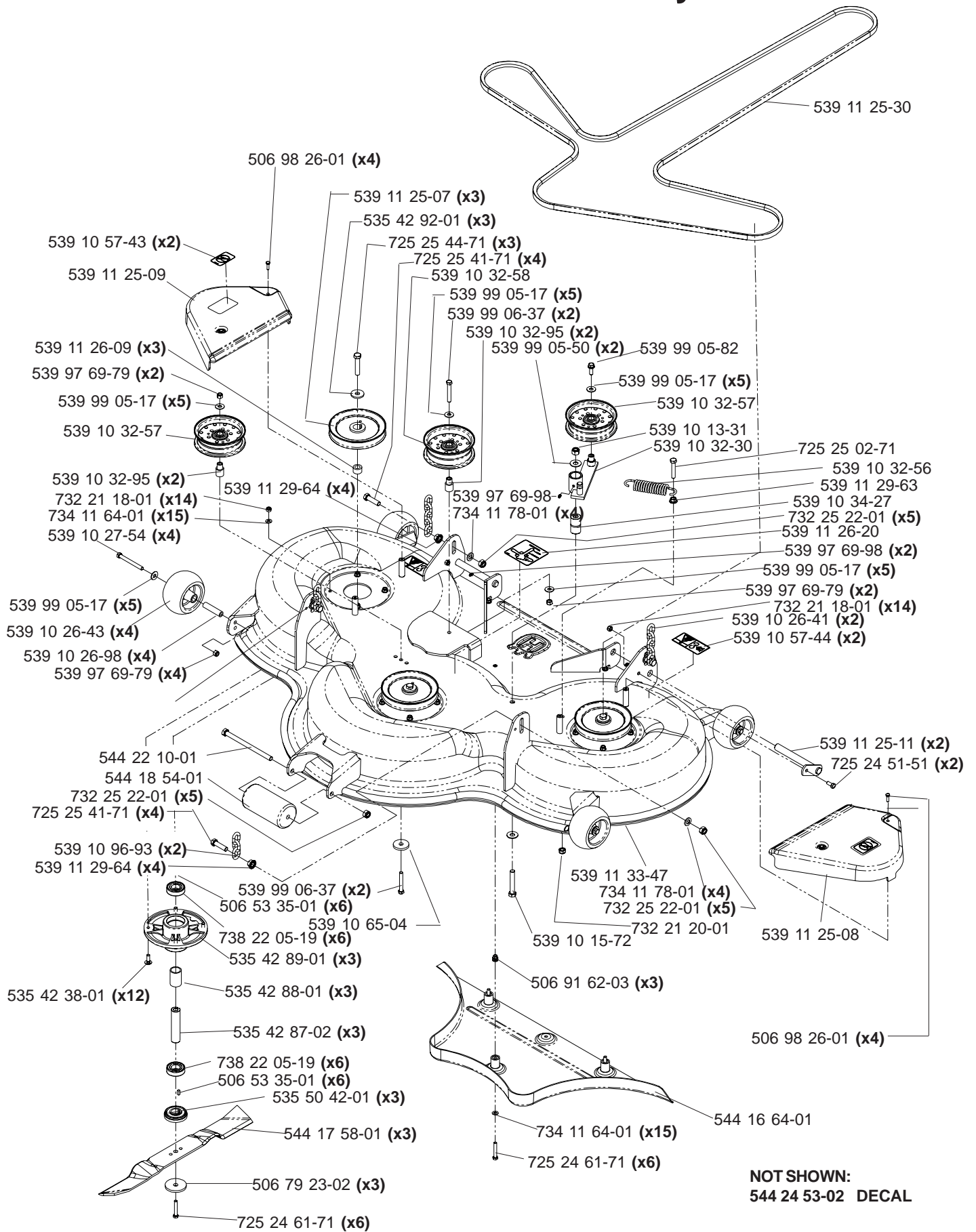
61" Front Deck Assembly



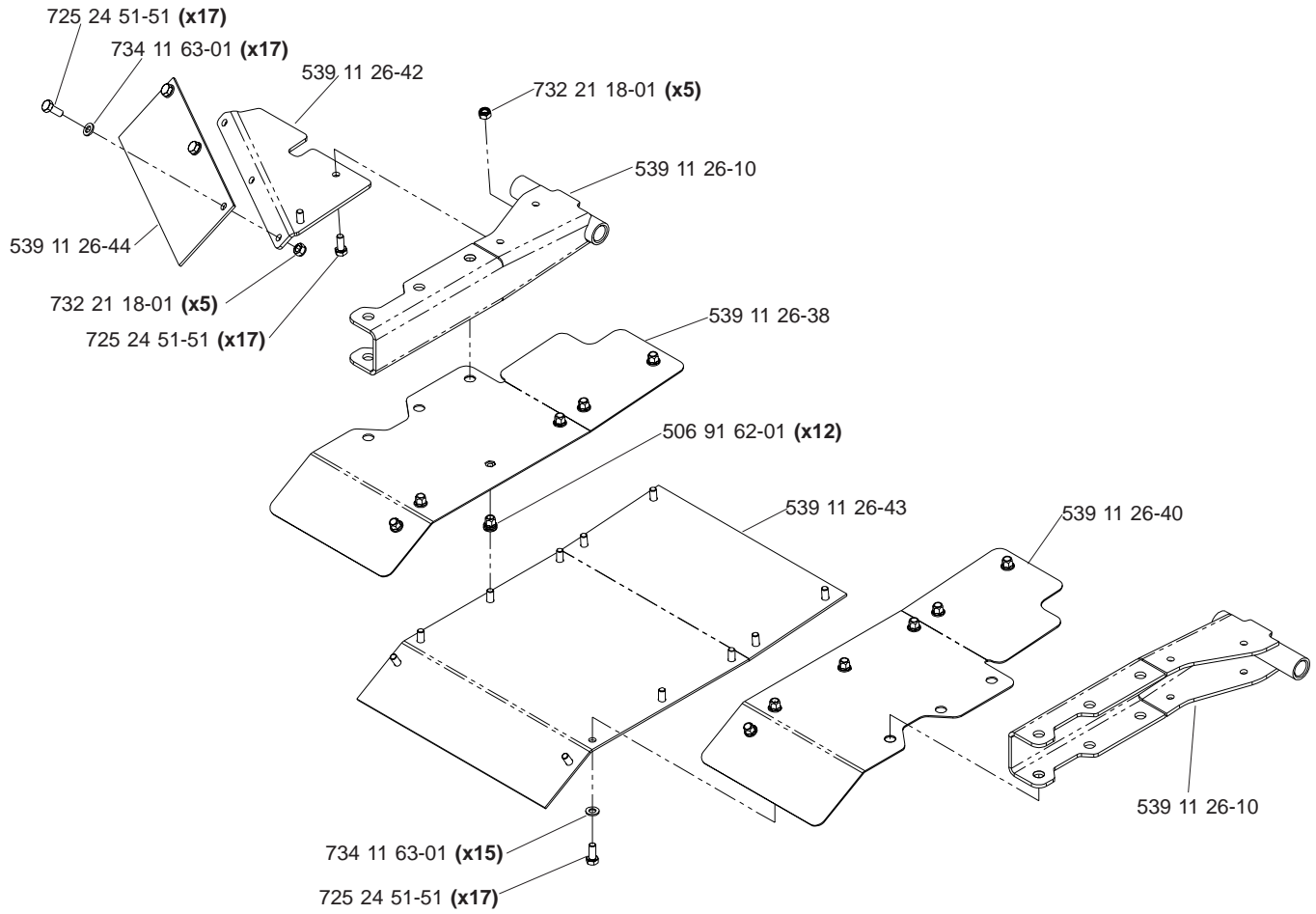
61" Front Deck Assembly



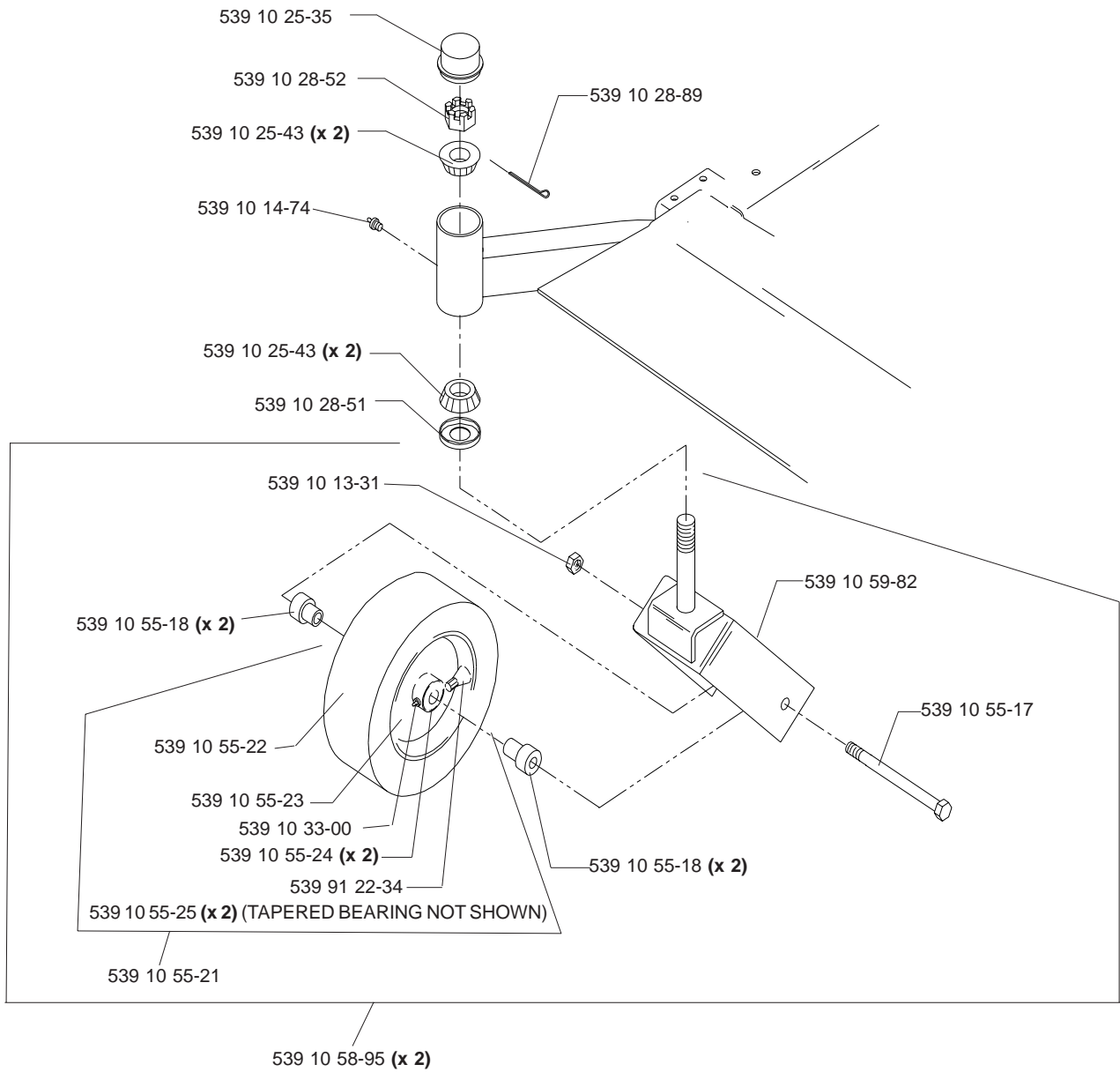
CD61 Deck Assembly



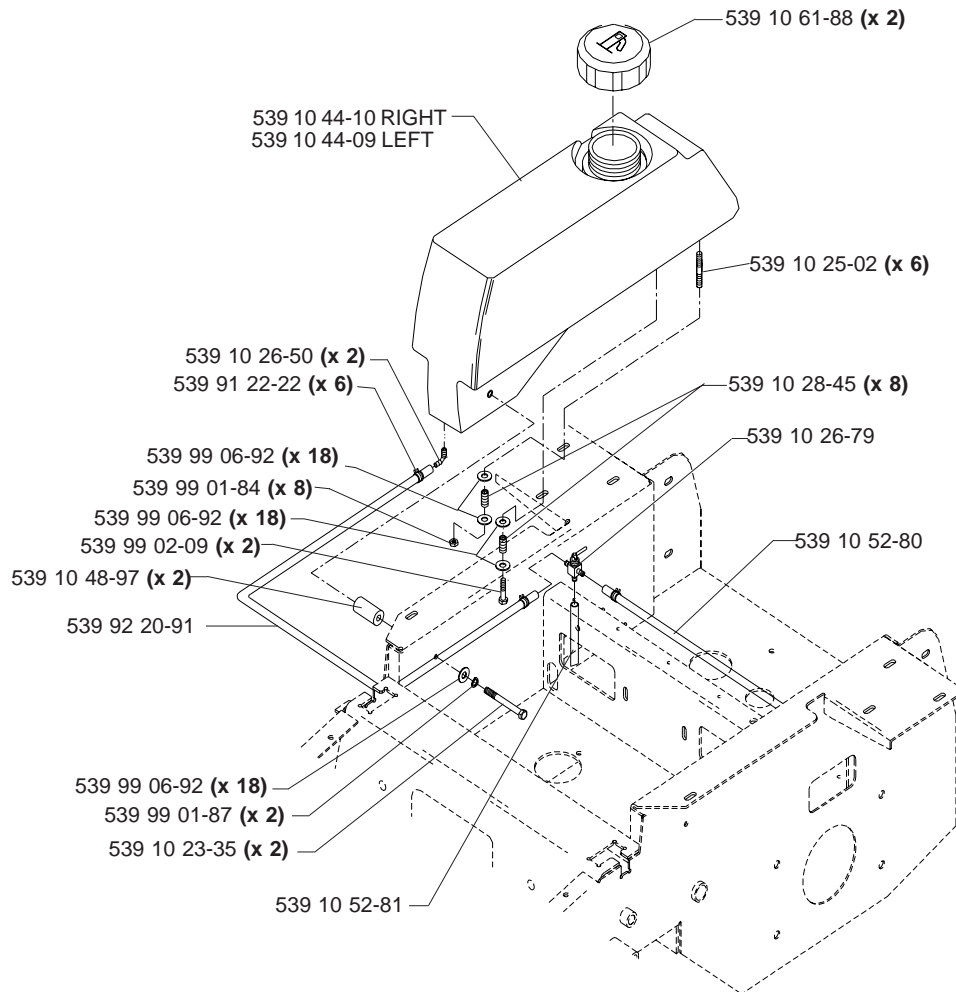
Debris Guarding Assembly



Caster Assembly



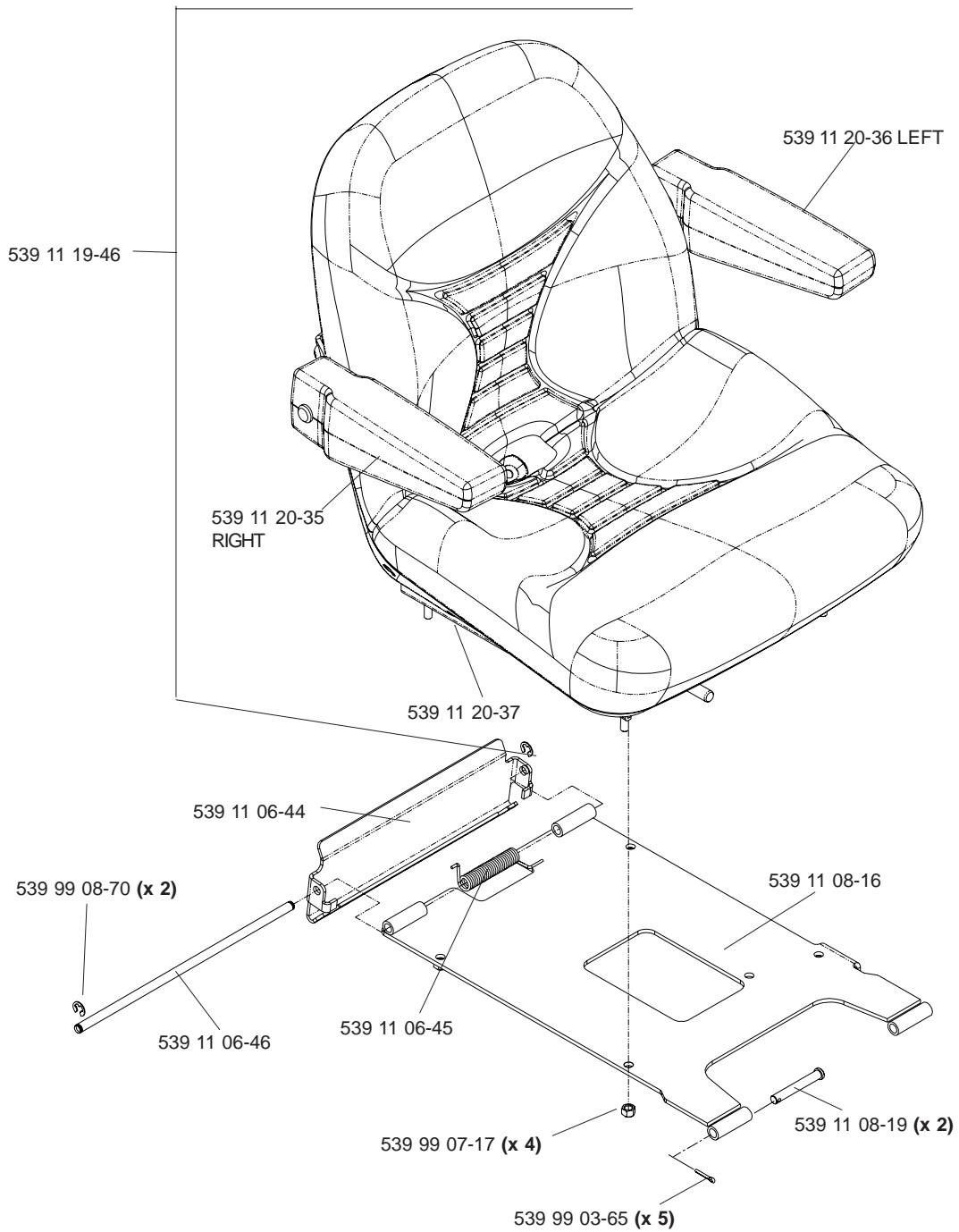
Fuel Assembly



NOT SHOWN:

539 10 26-70 DECAL, FUEL VALVE
539 97 68-56 WIRE TIE

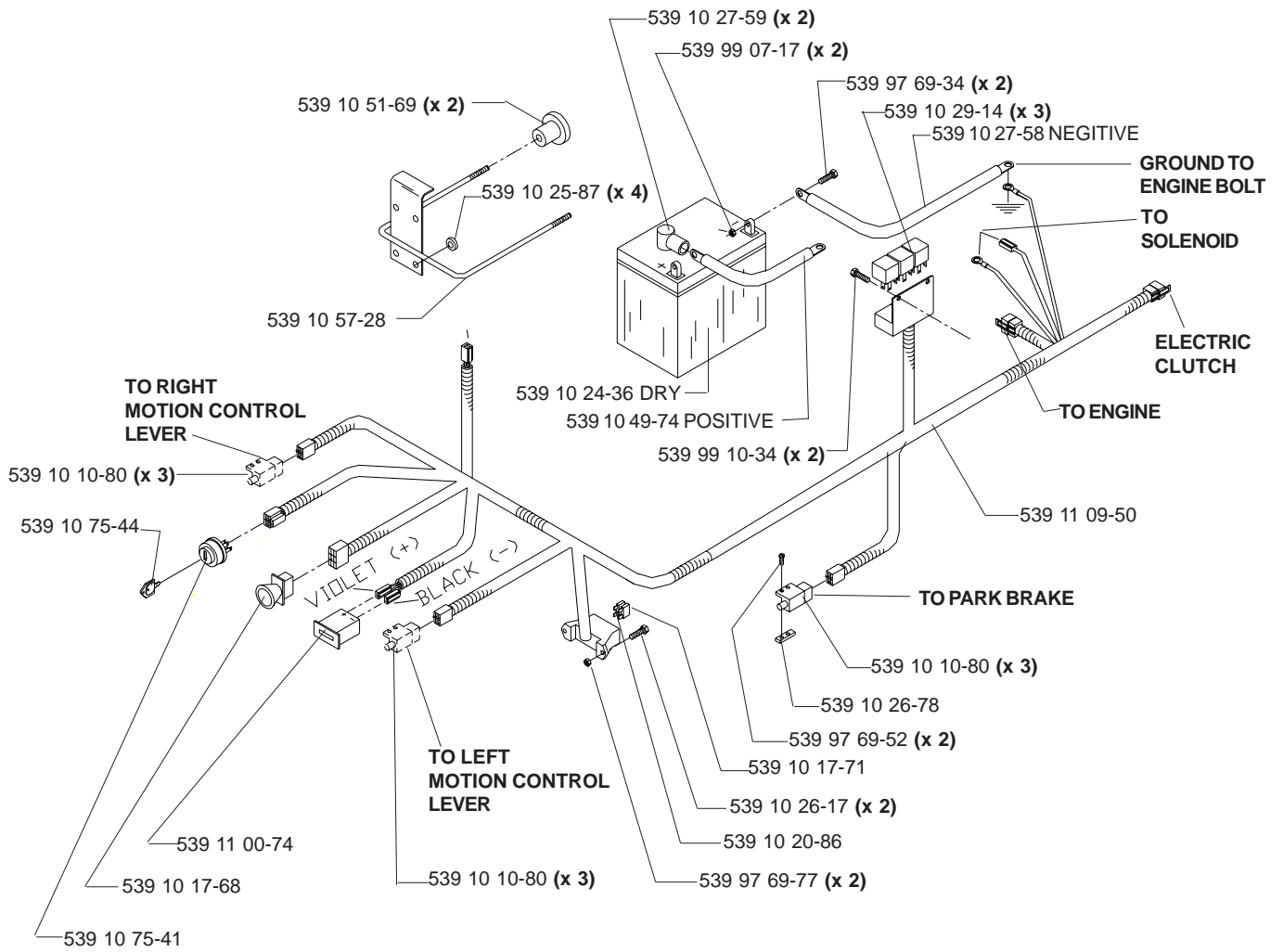
Seat Assembly



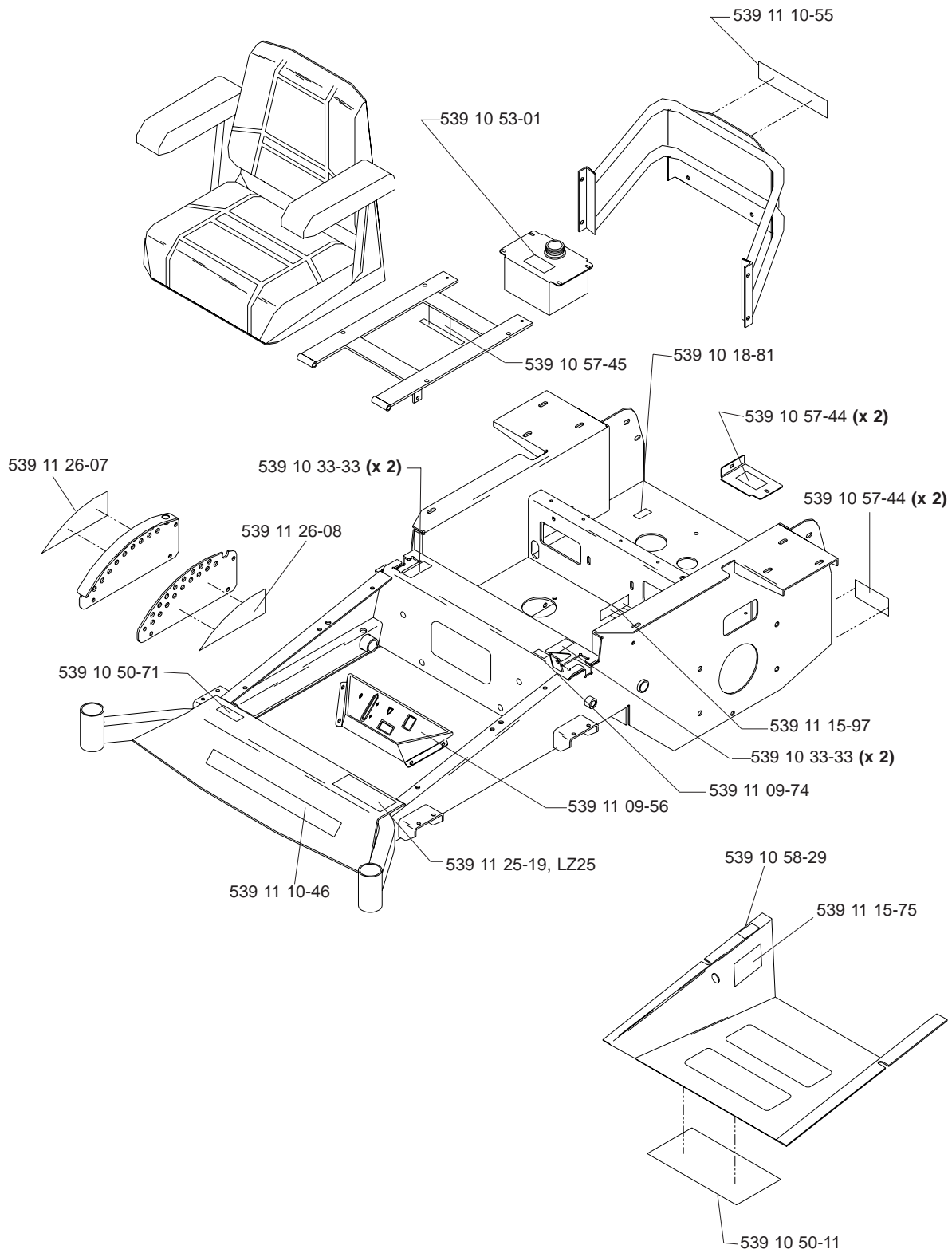
NOT SHOWN:

539 10 87-45 SWITCH/SNAP MOUNT KIT
539 10 99-09 DECAL, MICH SEAT, HUSQVARNA

Wiring Assembly



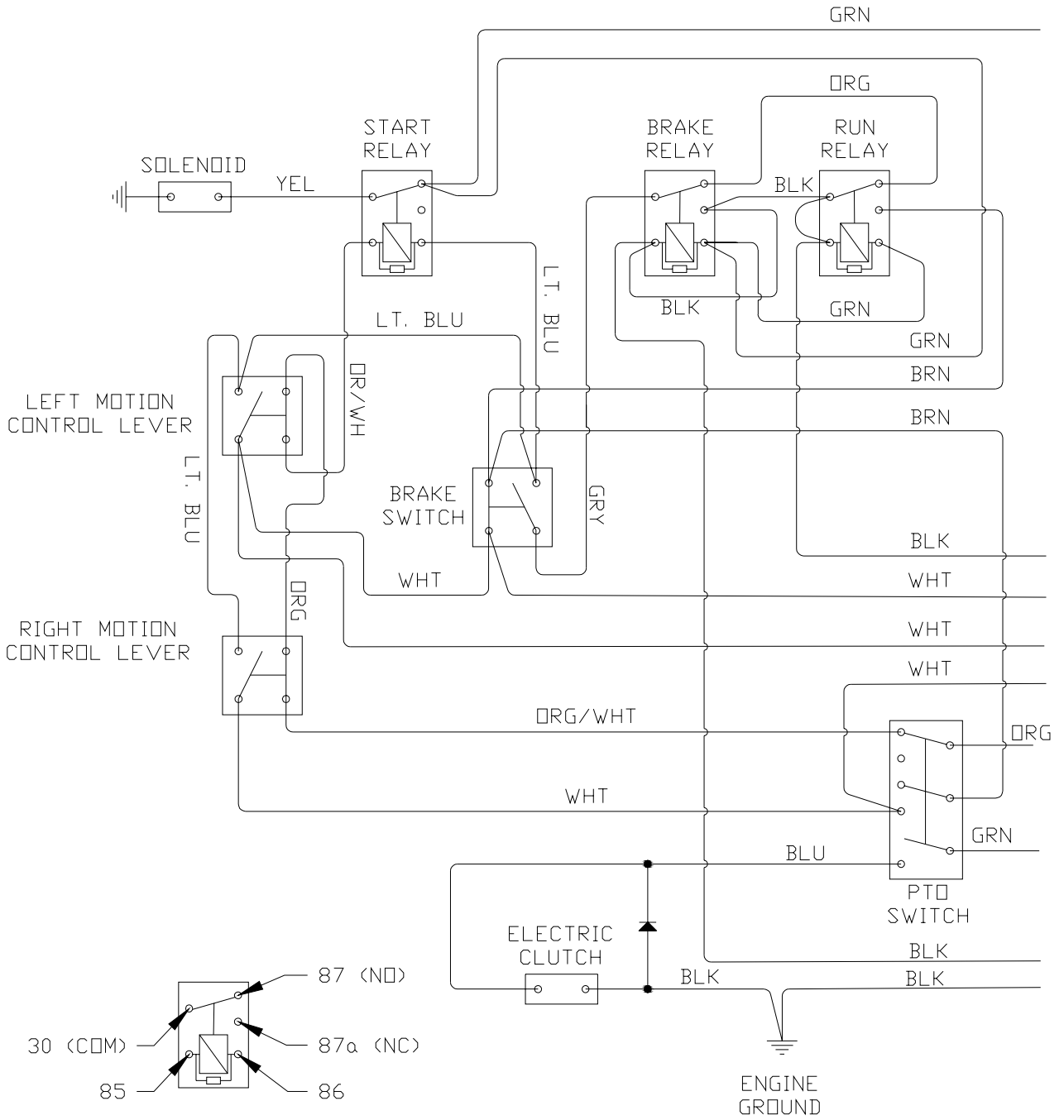
Decal Assembly



NOT SHOWN:

539 10 01-28 DECAL, EXHAUST ON ENGINE
539 11 29-60 DECAL, CE 968999310

WIRING DIAGRAMS



PARTS DESCRIPTION

PART NO.	DESCRIPTION	PART NO.	DESCRIPTION
506 53 35-01	KEY	539 10 25-82	NUT, 7/16-14, WHIZLK
506 79 23-02	KNIVBRICKA	539 10 25-87	BUMPER
506 91 62-01	BLINDNITMUTTER	539 10 25-92	GRIP
506 91 62-03	BLINDNITMUTTER	539 10 25-93	LOCKWASHER, 3/8
506 98 26-01	BOLT	539 10 26-06	FILTER
535 42 38-01	SKRUV	539 10 26-12	HCS, 3/8-16 X 2 3/4, GR5
535 42 87-02	AXEL	539 10 26-17	SCREW, #10-24 X 7/8
535 42 88-01	DISTANS	539 10 26-19	PIVOT PIN
535 42 89-01	LAGERHUS	539 10 26-41	LIFT CHAIN
535 42 92-01	BRICKA	539 10 26-43	ANTI-SCALP ROLLER
535 50 42-01	KNIVFAST	539 10 26-50	90 DEGREE HOSE BARB
539 10 01-28	DECAL, EXHAUST	539 10 26-70	DECAL, FUEL VALVE
539 10 01-52	KEY, 1/4 SQ. X 1 7/8	539 10 26-78	TAPPED PLATE
539 10 10-50	VINYL GRIP	539 10 26-79	FUEL VALVE
539 10 10-58	SPRING, COMPRESSION	539 10 26-85	LOOM CLIP
539 10 10-80	SWITCH, N.C.	539 10 26-98	BUSHING
539 10 11-51	RETAINING RING	539 10 27-32	THROTTLE CABLE
539 10 11-65	FILTER HEAD	539 10 27-33	CHOKE CONTROL
539 10 11-73	LUG NUT, 1/2F	539 10 27-54	HCS, 3/8-16 X 3 1/2, GR8
539 10 11-75	HCS, 7/16-14 X 1 1/2, GR5	539 10 27-57	CABLE, POSITIVE
539 10 11-76	PULLEY	539 10 27-58	NEGATIVE CABLE
539 10 11-77	KEY, 5MM SQ X 25MM	539 10 27-59	INSULATOR
539 10 12-02	HYDRAULIC CAP	539 10 28-17	SPRING
539 10 12-32	FLANGE BUSHING	539 10 28-22	BRAKE BAND
539 10 12-37	F6400-8-8-0	539 10 28-45	SPRING
539 10 12-38	F6801-6-6-0	539 10 28-51	SEAL
539 10 13-31	NUT, 1/2-13, NYLOC	539 10 28-52	CASTLE NUT, 1"C
539 10 13-32	HCS, 1/2C X 2 3/4	539 10 28-89	COTTER PIN, 1/8 X 2
539 10 14-74	DRIVE IN ZERK	539 10 29-14	RELAY
539 10 15-72	HCS, 1/2-13 X 3, GR5	539 10 30-03	KNOB
539 10 17-14	SOLINOID	539 10 31-14	O' RING
539 10 17-21	HCS, 5/16C X 2 3/4	539 10 31-15	O' RING
539 10 17-68	BLADE SWITCH	539 10 31-17	O' RING
539 10 17-71	7.5 AMP 32V AUTO FUSE	539 10 31-18	O' RING
539 10 18-02	E-RING, 7/8	539 10 31-19	O' RING
539 10 19-49	E-RING, 1/2"	539 10 32-30	IDLER ARM
539 10 19-82	EYEBOLT, 5/16C	539 10 32-56	SPRING
539 10 21-15	PLASSTIC TIE	539 10 32-57	IDLER PULLEY
539 10 22-36	SUPPORT PLATE	539 10 32-58	IDLER PULLEY (TALL)
539 10 22-43	SUPPORT WASHER	539 10 32-95	IDLER BUSHING
539 10 23-35	HCS, 5/16C X 4	539 10 32-99	HCS, 5/8-18 X 1 1/4, GR5
539 10 23-96	STRIGHT, FITTING	539 10 33-00	ZERK
539 10 24-15	HUB W/BRAKE DRUM	539 10 33-03	PAD
539 10 24-36	BATTERY, DRY	539 10 33-16	F6400-6-6-0
539 10 24-54	E-RING, 3/4	539 10 33-33	DECAL, MOTION CONTROL
539 10 24-55	CLEVIS PIN, 3/8 X 1 1/2	539 10 34-27	PIVOT BUSHING
539 10 25-02	STUD	539 10 34-33	HCS, 1/2-13 X 3 1/4, GR5
539 10 25-15	HANDLE CUSHION	539 10 35-34	PIN MOUNT, UPPER
539 10 25-19	BUSHING	539 10 35-47	WASHER
539 10 25-26	HITCH PIN	539 10 42-88	COTTER PIN
539 10 25-35	CAP, GREASE	539 10 43-10	CONNECTING LINK
539 10 25-43	BEARING		

PARTS DESCRIPTION

PART NO.	DESCRIPTION	PART NO.	DESCRIPTION
539 10 43-21	ADJ. PLATE WELDMENT	539 10 53-01	DECAL, MOBIL
539 10 43-23	ADJ. PLATE	539 10 53-32	SCR 1/4-20 SELF TAP X 1/2
539 10 43-27	MOTOR STANDOFF	539 10 54-06	CLUTCH
539 10 43-32	CROSS SHAFT	539 10 54-09	GROUND WIRE
539 10 43-34	PUMP BELT	539 10 54-87	RIM, 2.5"
539 10 43-46	BRAKE BRACKET, LEFT	539 10 55-17	HCS, 1/2-13 X 9 1/2, GR5
539 10 43-47	BRAKE BRACKET, RIGHT	539 10 55-18	AXLE SPACER
539 10 43-88	IDLER ARM	539 10 55-21	TIRE & WHEEL ASM.
539 10 44-09	FUEL, TANK, LEFT	539 10 55-22	TIRE
539 10 44-10	FUEL, TANK, RIGHT	539 10 55-23	RIM
539 10 44-15	KAWASAKI PIGTAIL	539 10 55-24	SEALS
539 10 45-21	STRUT SPACER	539 10 55-25	TAPERED BEARING
539 10 45-23	PIN, LOCKING	539 10 55-32	SCREW, 1/4-20, SELF TAPPING
539 10 45-25	SEAT ROD	539 10 57-16	IDLER COVER
539 10 45-30	DECK LIFT SPACER	539 10 57-28	BATTERY HOLD DOWN
539 10 47-21	FOOT PLATE	539 10 57-43	DECAL, EURO NO STEP
539 10 47-22	HOSE	539 10 57-44	DECAL, EURO DANGER, BELT DRIVES
539 10 47-23	T. ASM.	539 10 57-45	DECAL, BATTERY
539 10 47-60	EXTENSION SPRING	539 10 57-46	DECAL, EURO SEVERING
539 10 47-60	DECK LIFT SPRING	539 10 58-29	DECAL, CE/SOUND POWER
539 10 47-61	GREASE ZERK LONG	539 10 58-95	CASTER ASM.
539 10 47-63	"U" CLIP, 5/16C	539 10 58-97	MUFFLER
539 10 48-07	SUPPORT PLATE	539 10 59-01	FUEL LINE
539 10 48-08	PILLOW BLOCKS	539 10 59-05	HCS, 7/16C X 1, GR8
539 10 48-64	WASHER, 7/16	539 10 59-68	MUFFLER GUARD
539 10 48-96	HOSE	539 10 59-74	RUBBER GROMMET
539 10 48-97	TANK SPACER	539 10 59-82	YOKE, CASTER
539 10 49-58	ISOLATORS	539 10 60-57	PULLEY
539 10 49-59	ISOLATOR WASHER	539 10 60-67	HYDRAULIC LINE
539 10 49-74	POSTIVE CABLE, LONG	539 10 61-88	FUEL CAP
539 10 50-11	DECAL, SERVICE	539 10 64-95	EURO ENGINE MOUNT, PTD
539 10 50-24	OIL TANK	539 10 65-04	HEAVY WASHER
539 10 50-36	GRIP	539 10 65-32	GROOVED PIN
539 10 50-38	SEAT BRACKET	539 10 67-91	HCS, 3/8C X 1, GR8
539 10 50-39	STUD/PLATE MOUNT	539 10 67-93	SUPPORT BRACKET
539 10 50-44	BRONZE BEARING	539 10 67-94	BAND PIVOT
539 10 50-50	LIFT LINKAGE	539 10 68-19	CLUTCH TIE DOWN
539 10 50-59	LANYARD	539 10 68-84	DECK BELT, 52"
539 10 50-60	CLEVIS PIN, 5/8	539 10 69-33	FILTER BRACKET
539 10 50-69	E-RING, 5/8	539 10 69-61	STRAP
539 10 51-67	COOLER	539 10 72-77	PULLEY, 52
539 10 51-68	CAP	539 10 72-78	PULLEY
539 10 51-69	KNOB	539 10 74-75	BOLT, 5/16 X 3/4, THRD FRMNG
539 10 51-81	LIFT PEDAL	539 10 75-41	IGNITION SWITCH
539 10 51-84	TIGHTING PLATE	539 10 76-27	CAP-SLEEVE
539 10 51-87	ANTI-SKID PAD	539 10 79-37	OIL DRAIN HOSE
539 10 51-92	SPRING	539 10 83-22	LIFT LEVER
539 10 52-32	DECAL, ANTI-SCALP	539 10 83-54	LIFT SHAFT ASM, REAR
539 10 52-77	CASTLE NUT	539 10 83-55	LIFT SHAFT ASM, FRONT
539 10 52-79	TRACKING LINKAGE	539 10 83-82	PLUG, BUTTON, HOLE
539 10 52-80	FUEL LINE	539 10 83-94	HCS, 5/16-18 X 1 3/4, TPBLT
539 10 52-81	FUEL LINE	539 10 84-49	BOTTOM DUST CAP

PARTS DESCRIPTION

PART NO.	DESCRIPTION	PART NO.	DESCRIPTION
539 10 84-50	TOP DUST CAP	539 11 09-56	DECAL, CONSOLE
539 10 84-61	SCREW, 1/4-20 X 1/2, SELF TAP	539 11 09-67	DECAL, BELT ROUTING
539 10 86-16	BRAKE LEVER	539 11 09-74	DECAL, H.S.T.
539 10 86-19	BUSHING	539 11 09-76	XP GUARD
539 10 86-56	DECK BELT, 61"	539 11 09-79	F6803-6-6-6-NOW
539 10 87-54	SHAFT SEAL	539 11 09-80	HOSE
539 10 87-58	TOP & BOTTOM SPACER	539 11 10-39	SPRING
539 10 87-60	SPINDLE, 52/61	539 11 10-46	DECAL, HUSQVARNA
539 10 87-66	HCS, 7/16-20 X 1 1/2, GR5, SPEC	539 11 10-55	DECAL, HUSQVARNA
539 10 87-73	SPINDLE, 52/61	539 11 10-74	DAMPENER BRACKET
539 10 94-93	BELT SHIELD, RIGHT, 61	539 11 11-43	FRAME W/DECALS
539 10 94-94	BELT SHIELD, LEFT, 61	539 11 11-47	CONSOLDE W/DECAL
539 10 96-52	BELT SHIELD, RIGHT, 52	539 11 13-72	CONFINEMENT PLATE 52"
539 10 96-53	BELT SHIELD, LEFT, 52	539 11 13-73	CONFINEMENT PLATE 61"
539 10 96-60	DRAW LATCH	539 11 13-77	DECK, TUNNEL, 52" W/DECALS
539 10 96-93	LIFT CHAIN, 3 LINK	539 11 13-78	DECK, TUNNEL, 61" W/DECALS
539 10 99-09	DECAL, MICH. SEAT	539 11 15-61	DECAL, TUNNEL RAM
539 11 00-74	HOUR METER	539 11 15-75	DECAL, WARNING
539 11 06-03	SPHERICAL ROD END, RIGHT	539 11 15-97	DECAL, RELAYS
539 11 06-04	SPHERICAL ROD END, LEFT	539 11 16-10	FRONT BAFFLE, 61, RIGHT
539 11 06-06	DAMPENER	539 11 16-13	FRONT BAFFLE, 61, LEFT
539 11 06-07	BALL STUD	539 11 16-15	FRONT BAFFLE, 52, RIGHT
539 11 06-20	BRAKE BELLCRANK	539 11 16-17	FRONT BAFFLE, 52, LEFT
539 11 06-24	SHAFT	539 11 19-19	COOLER BRACKET, FRONT
539 11 06-25	TRUNION	539 11 19-20	COOLER BRACKET, BACK
539 11 06-26	YOKE W/SHAFT	539 11 19-21	SKT, 1/4-20 X 1/2
539 11 06-27	BRAKE ROD	539 11 19-46	SEAT
539 11 06-28	BRAKE YOKE WELDMENT	539 11 20-35	ARM REST KIT, RIGHT
539 11 06-31	ROLL PIN, 5/16	539 11 20-36	ARM REST KIT, LEFT
539 11 06-32	REAR TIRE ASM	539 11 20-37	TRACK ADJUSTMENT KIT
539 11 06-36	CONTROL, RIGHT	539 11 21-20	HCS, 7/16-20 X 1 1/2, GR8
539 11 06-37	CONTROL, LEFT	539 11 25-06	PULLEY, 52
539 11 06-38	ARM, CONTROL SHAFT	539 11 25-07	PULLEY, 61
539 11 06-43	T. ASM.	539 11 25-08	BELT SHIELD, LEFT
539 11 06-44	LSEAT LATCH BRACKET	539 11 25-09	BELT SHIELD, RIGHT
539 11 06-45	TORSION SPRING	539 11 25-11	STRUT PIN
539 11 06-46	SEAT LATCH ROD	539 11 25-16	STRUT WELDMENT, REAR
539 11 07-33	DISCHARGE CHUTE, 52"	539 11 25-17	STRUT,TRD
539 11 07-34	DISCHARGE CHUTE, 61"	539 11 25-19	DECAL, LZ25
539 11 07-35	SPRING, TORSION	539 11 25-20	HCS, 7/16-14 X 1 1/2, GR5, SPEC
539 11 07-36	PIN, CLEVIS, 5/16 X 5 3/16	539 11 25-29	DECK BELT, 52"
539 11 08-13	"U" TYPE RETAINER, 1/4C	539 11 25-30	DECK BELT, 61
539 11 08-14	TANK MOUNT	539 11 25-36	DECAL, 132
539 11 08-15	PUSH MOUNT WIRE CLIP	539 11 25-37	DECAL, 155
539 11 08-16	SEAT MOUNT	539 11 25-76	DECK W/DECALS
539 11 08-19	CLEVIS PIN, 3/8	539 11 25-89	DECK W/DECALS
539 11 08-23	WHEEL MOTOR, TL15	539 11 25-92	TIRE
539 11 08-26	DRIVER LEVER, RIGHT	539 11 26-07	DECAL, HEIGHT
539 11 08-27	DRIVER LEVER, LEFT	539 11 26-08	DECAL, HEIGHT
539 11 08-33	CONTROL SHAFT	539 11 26-09	KEY RETAINER
539 11 09-43	NUT, 5/16F, NYLOC	539 11 26-13	BLADE 18"
539 11 09-50	FRAME HARNESS	539 11 26-14	BLADE 21"

PARTS DESCRIPTION

PART NO.	DESCRIPTION	PART NO.	DESCRIPTION
539 11 26-10	STRUT, LZCMB		
539 11 26-20	DECAL, BELT ROUTING	539 99 03-33	LOCKWASHER, 5/8
539 11 26-34	SKID PLATE	539 99 03-62	TFS, 1/4C X 5/8
539 11 26-36	REAR DEBRIS GUARD	539 99 03-65	PIN, COTTER, 1/8 X 3/4
539 11 26-38	LEFT SHIELD	539 99 03-65	COTTER PIN
539 11 26-40	RIGHT SHIELD	539 99 04-11	HCS, #10-24 X 1/2
539 11 26-42	DEFLECTOR	539 99 05-17	WASHER, 3/8
539 11 26-43	SHIELD SECTION	539 99 05-46	NUT, 3/8C, CENTER LOCK
539 11 26-44	DEFLECTOR FLAP	539 99 05-50	WASHER, 1/2
539 11 26-71	PUMP, 10CC	539 99 05-63	HCS, 3/8C X 1
539 11 29-60	DECAL, CE 968999310	539 99 05-80	HCS, 1/4-20 X 3/4, GR5
539 11 29-63	NUT, M10 X 1.5	539 99 05-82	HCS, 3/8-16 X 1, GR5, WHIZLK
539 11 29-64	NUT, M12 X 1.75	539 99 05-85	NUT, 5/16C, WHIZ
539 11 29-81	DECK STOP	539 99 05-98	WASHER, 1/4
539 91 22-22	HOSE CLAMP	539 99 06-13	NUT, 3/8C, WHIZ
539 91 22-34	AIR VALVE	539 99 06-22	HFCS, 1/2C X 1 1/4
539 91 30-10	DECAL, CPSC	539 99 06-27	HCS, 5/16-18 X 1 1/4, GR5
539 92 20-91	FUEL LINE	539 99 06-37	HCS, 3/8-16 X 2 1/2, GR5
539 92 37-87	MACH. BUSHING	539 99 06-54	COTTER PIN
539 97 66-88	IDLER PULLEY	539 99 06-55	HCS, 3/8-16 X 1 1/2, GR5
539 97 66-95	IDLER FLANGE BUSHING	539 99 06-69	HCS, 5/16C X 1 3/4
539 97 68-56	WIRE TIE	539 99 06-92	WASHER, 5/16
539 97 69-34	HCS, 5/16-18 X 3/4, GR5	539 99 07-17	NUT, 5/16-18, NYLOC
539 97 69-52	SCREW, #10-24 X 5/8	539 99 07-30	HCS, 3/8-16 X 1 3/4, GR5
539 97 69-66	HOSE CLAMP	539 99 07-61	NUT, 1/4C, CENTER LOCK
539 97 69-77	NUT, #10-24, NYLOC	539 99 08-39	NUT, 7/16-14, CENTER LOCK
539 97 69-78	NUT, 1/4C, NYLOC	539 99 08-70	RING-RETAINING
539 97 69-79	NUT, 3/8-16, NYLOC	539 99 10-34	SCREW, SELF TAPPING
539 97 69-82	WASHER, 5/8, SAE	539 99 10-43	MACH. BUSHING, 5/8
539 97 69-88	HAIR PIN	539 99 10-73	NUT, 5/16F, JAM
539 97 69-89	HAIR PIN, #4	539 99 11-20	HCS, 7/16F X 2 1/2
539 97 69-98	GREASE ZERK	544 16 62-01	MULCH PLUG, 132
539 97 73-26	GREASE POPET	544 16 64-01	MULCH PLUG, 155
539 97 74-65	YOKE, 3/8F	544 17 57-01	BLADE, C132
539 97 77-03	CLEVIS PIN, 3/8 X 1 1/8	544 17 58-01	BLADE, C155
539 97 77-78	ANTI-SKID PAD	544 18 54-01	ROLLER
539 97 96-79	NUT, 3/8-16, NYLOC	544 22 10-01	BOLT, M12 X 1.75 X 180MM
539 99 00-52	LOCKWASHER, 1/4	544 24 53-01	DECAL
539 99 00-53	WASHER, 1/4, INT. TOOTH	544 24 53-02	DECAL
539 99 00-72	HCS, 1/4C X 5/8	725 24 51-51	BOLT, M8 X 1.25 X 20MM
539 99 01-18	LOCKWASHER, 3/8	725 24 61-71	BOLT, M8 X 1.25 X 50MM
539 99 01-22	WASHER, 3/8, SAE	725 25 02-71	BOLT, M10 X 1.5 X 55MM
539 99 01-55	NUT, 3/8F	725 25 41-71	BOLT, M12 X 1.75 X 45MM
539 99 01-84	NUT, 5/16C, CENTER LOCK	725 25 42-51	BOLT, M12 X 1.75 X 50MM
539 99 01-87	LOCKWASHER, 5/16	725 25 44-71	BOLT, M12 X 1.75 X 60MM
539 99 01-88	WASHER, 5/16, SAE	732 21 18-01	NUT, M8
539 99 01-96	NUT, 5/16C	732 21 20-01	NUT, M10
539 99 02-09	HCS, 5/16-18 X 1, GR5	732 25 22-01	NUT, M12
539 99 02-23	NUT, 5/16F	734 11 64-01	WASHER
539 99 02-47	LOCKWASHER, 7/16	734 11 78-01	WASHER, 13 X 24 X 2.7
539 99 02-54	LOCKWASHER, 1/2	738 22 05-19	BEARING
539 99 02-58	NUT, 1/2C		
539 99 03-16	RHSSNB, 5/16C X 3/4		