

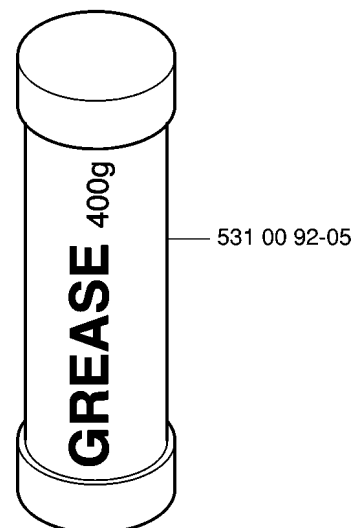
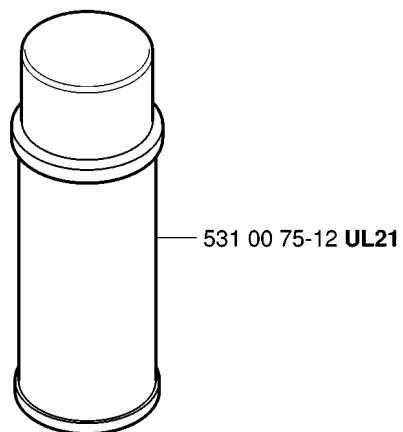
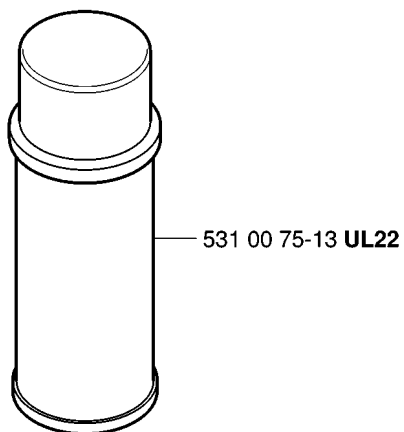
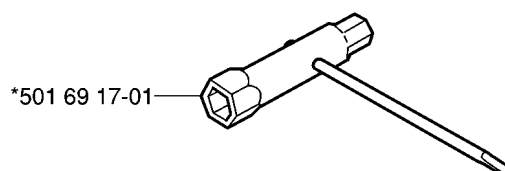
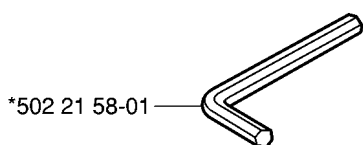
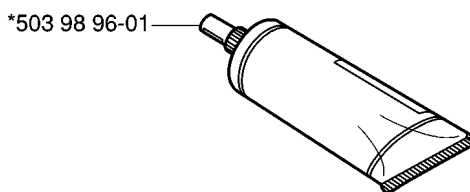


# SPARE PARTS LIST

HEDGE TRIMMERS/POLE HEDGE  
TRIMMERS

123 HD60, 2006-03

**N** Accessories  
Zubehöre  
Accessoires  
Accessorios  
Tillbehör  
\*compl 502 21 60-09

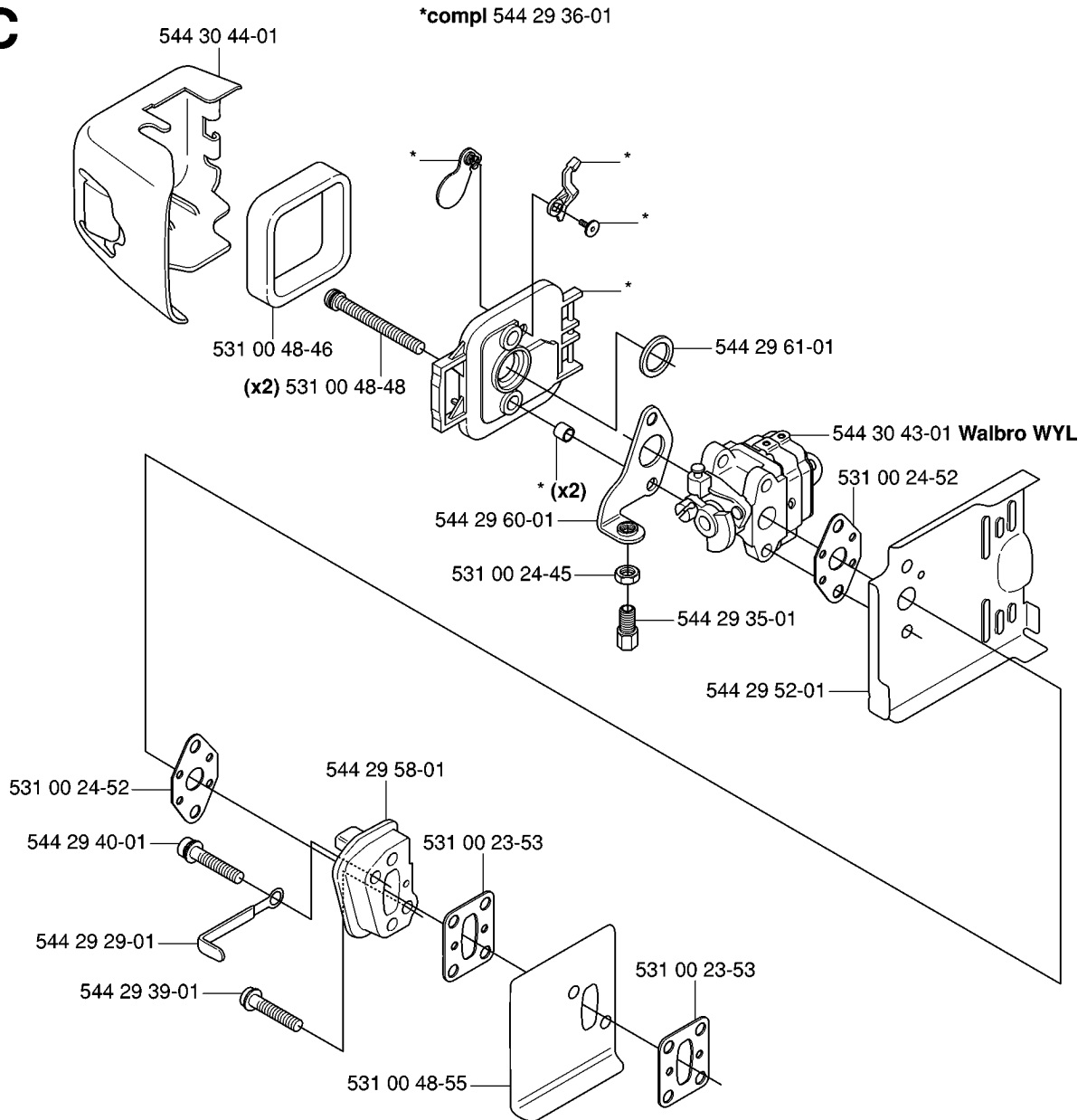


## ACCESSORIES

123 HD60, 2006-03

| Part No      | Description        | Remark | QTY KIT |
|--------------|--------------------|--------|---------|
| 501 69 17-01 | COMBINATION WRENCH |        | 1       |
| 502 21 58-01 | L-NYCKEL           |        | 1       |
| 502 21 60-09 | ACCESSORY BAG      |        | 1       |
| 503 98 96-01 | GREASE             |        | 1       |
| 531 00 75-12 | GREASE             | UL21   | 1       |
| 531 00 75-13 | GREASE             | UL22   | 1       |
| 531 00 92-05 | GREASE             |        | 1       |

**C**



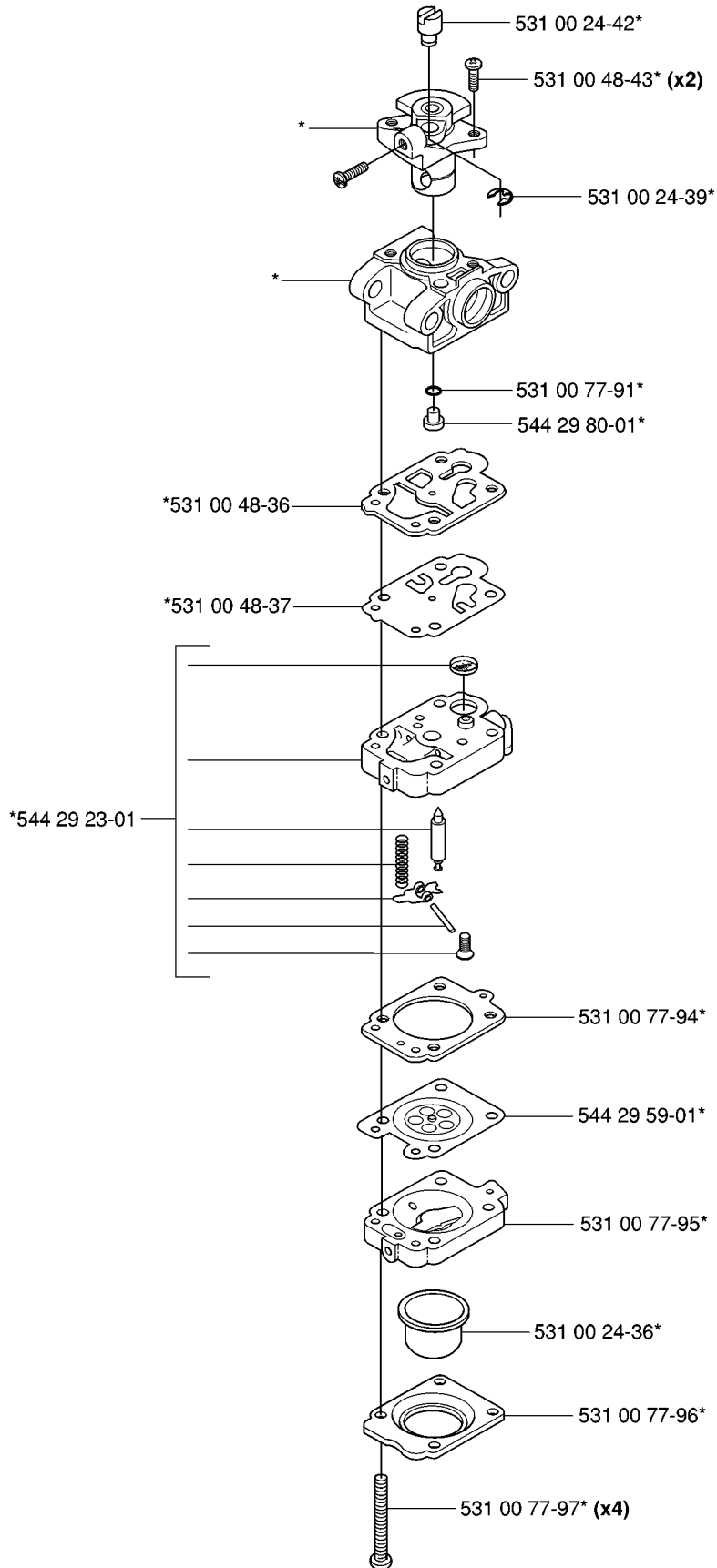
## CARBURETOR &amp; AIR FILTER

123 HD60, 2006-03

| Part No      | Description  | Remark     | QTY KIT |
|--------------|--------------|------------|---------|
| 531 00 23-53 | GASKET       |            | 1       |
| 531 00 23-53 | GASKET       |            | 1       |
| 531 00 24-45 | NUT          |            | 1       |
| 531 00 24-52 | GASKET       |            | 1       |
| 531 00 24-52 | GASKET       |            | 1       |
| 531 00 48-46 | STYRTAPP     | AIR FILTER | 1       |
| 531 00 48-48 | WASHER       |            | 2       |
| 531 00 48-55 | GASKET       |            | 1       |
| 544 29 29-01 | CLAMP        |            | 1       |
| 544 29 35-01 | ADAPTER      |            | 1       |
| 544 29 36-01 | HOUSING ASSY |            | 1       |
| 544 29 39-01 | SCREW        |            | 1       |
| 544 29 40-01 | SCREW        |            | 1       |
| 544 29 52-01 | BAFFLE PLATE |            | 1       |
| 544 29 58-01 | INSULATOR    |            | 1       |
| 544 29 60-01 | STAY         |            | 1       |
| 544 29 61-01 | GASKET       |            | 1       |
| 544 30 43-01 | CARBURETTOR  | WALBRO WYL | 1       |
| 544 30 44-01 | COVER        |            | 1       |

**M** \*compl 544 30 43-01 Walbro WYL

**Walbro WYL**

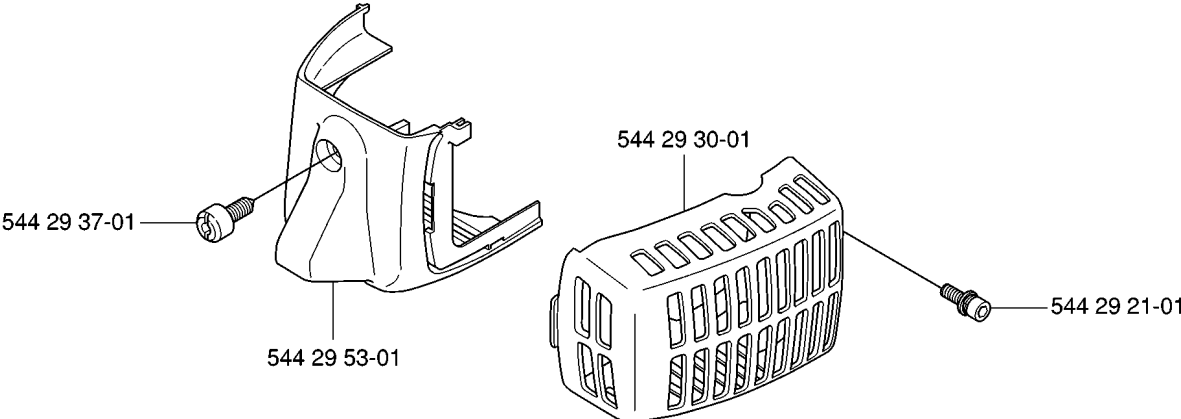


## CARBURETOR DETAILS

123 HD60, 2006-03

| Part No      | Description           | Remark     | QTY KIT |
|--------------|-----------------------|------------|---------|
| 531 00 24-36 | PRIMER                |            | 1       |
| 531 00 24-39 | RETAINING RING        |            | 1       |
| 531 00 24-42 | CONNECTION            |            | 1       |
| 531 00 48-36 | MOULDING              |            | 1       |
| 531 00 48-37 | SPÄNNHJUL             |            | 1       |
| 531 00 48-43 | RING                  |            | 2       |
| 531 00 77-91 | RING                  |            | 1       |
| 531 00 77-94 | GASKET                |            | 1       |
| 531 00 77-95 | HOUSING               |            | 1       |
| 531 00 77-96 | PLATE                 |            | 1       |
| 531 00 77-97 | SCREW                 |            | 4       |
| 544 29 23-01 | PUMP HOUSING          |            | 1       |
| 544 29 59-01 | DIAPHRAGM CARBURETTOR |            | 1       |
| 544 29 80-01 | MAIN JET              |            | 1       |
| 544 30 43-01 | CARBURETTOR           | WALBRO WYL | 1       |

**B**



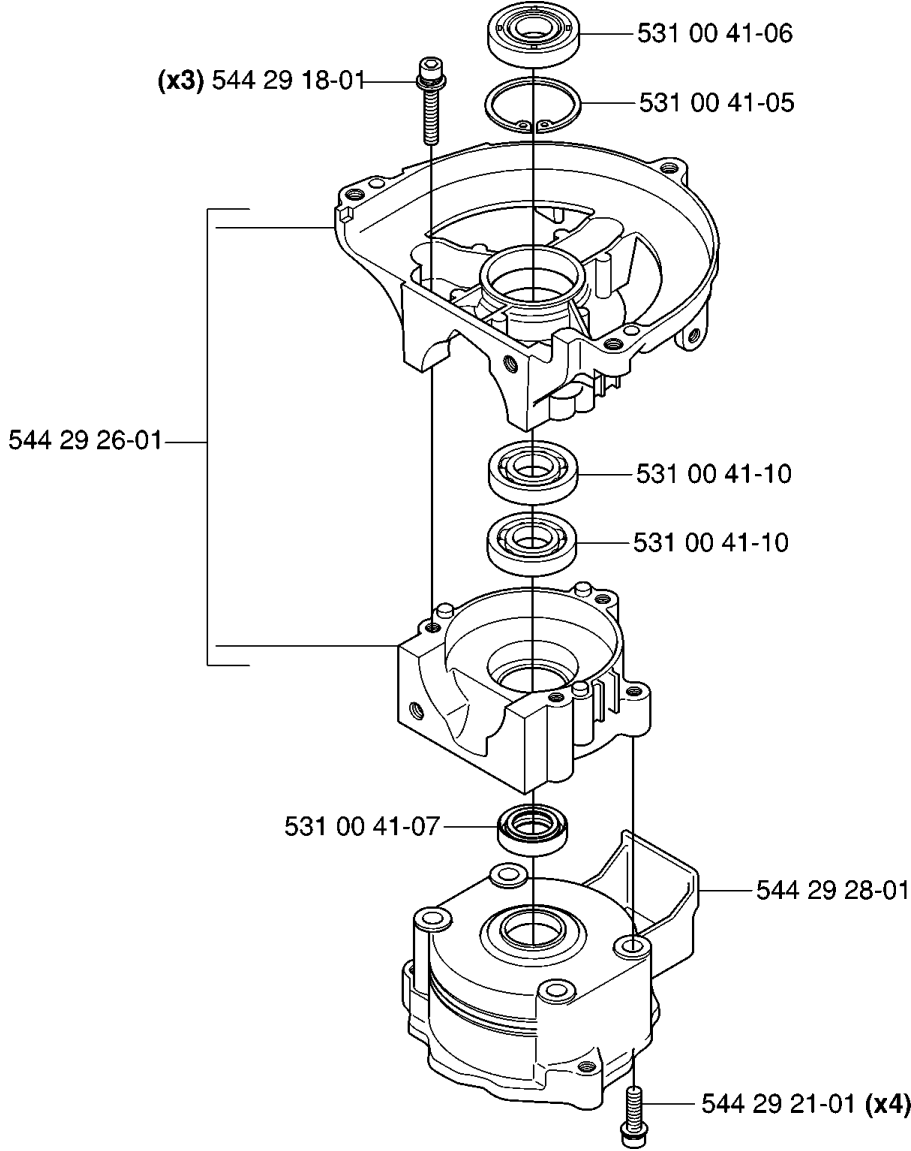


COVER

123 HD60, 2006-03

| Part No      | Description    | Remark | QTY KIT |
|--------------|----------------|--------|---------|
| 544 29 21-01 | SCREW          |        | 1       |
| 544 29 30-01 | MUFFLER COVER  |        | 1       |
| 544 29 37-01 | KNOB           |        | 1       |
| 544 29 53-01 | CYLINDER COVER |        | 1       |

**G**

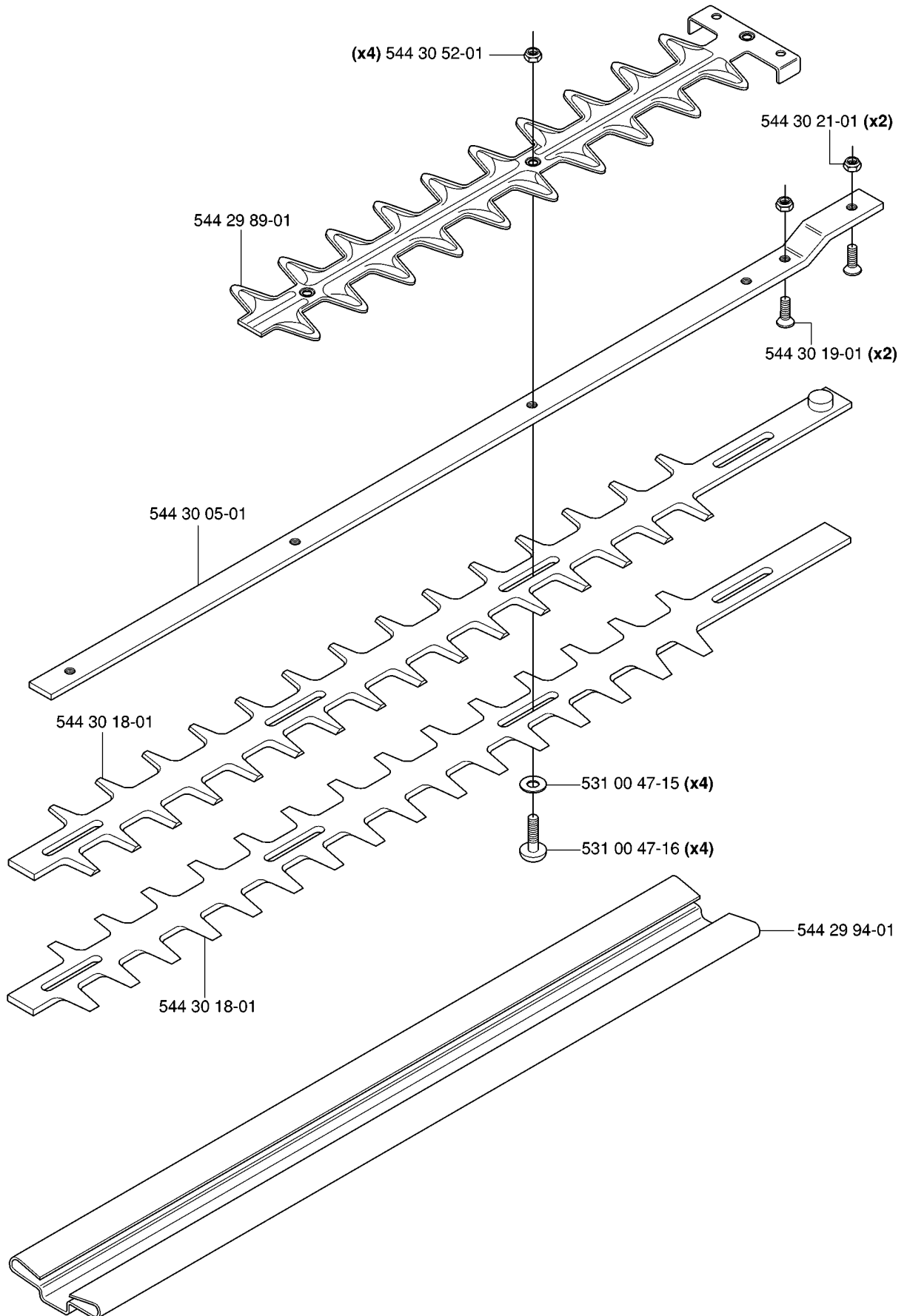


## CRANKCASE

123 HD60, 2006-03

| Part No      | Description    | Remark | QTY KIT |
|--------------|----------------|--------|---------|
| 531 00 41-05 | RETAINING RING |        | 1       |
| 531 00 41-06 | SEALING RING   |        | 1       |
| 531 00 41-07 | SEALING RING   |        | 1       |
| 531 00 41-10 | BALL BEARING   |        | 1       |
| 531 00 41-10 | BALL BEARING   |        | 1       |
| 544 29 18-01 | SCREW          |        | 3       |
| 544 29 21-01 | SCREW          |        | 4       |
| 544 29 26-01 | CRANKCASE ASSY |        | 1       |
| 544 29 28-01 | CLUTCH COVER   |        | 1       |

**L**

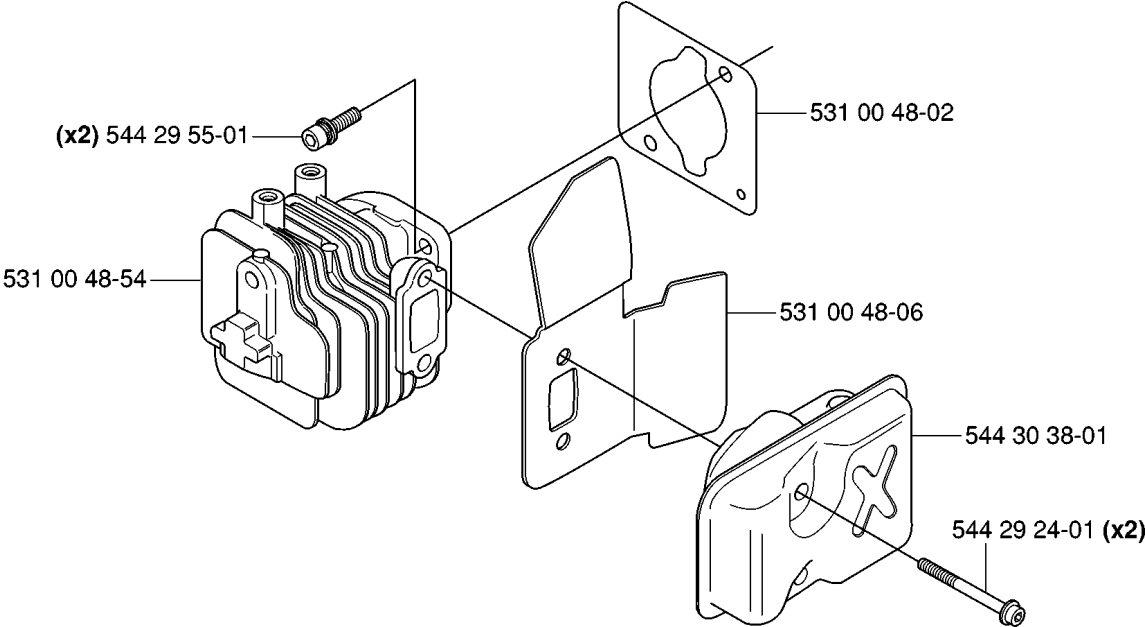


## CUTTING EQUIPMENT

123 HD60, 2006-03

| Part No      | Description              | Remark                              | QTY KIT |
|--------------|--------------------------|-------------------------------------|---------|
| 531 00 47-15 | WASHER                   |                                     | 4       |
| 531 00 47-16 | SCREW                    |                                     | 4       |
| 544 29 89-01 | BLADE GUARD HEDGETRIMMER | Changed design, now with<br>7 teeth | 1       |
| 544 29 94-01 | TRANSPORT GUARD          |                                     | 1       |
| 544 30 05-01 | GUIDE PLATE              |                                     | 1       |
| 544 30 18-01 | BLADE                    |                                     | 1       |
| 544 30 18-01 | BLADE                    |                                     | 1       |
| 544 30 19-01 | SCREW                    |                                     | 2       |
| 544 30 21-01 | NUT                      |                                     | 2       |
| 544 30 52-01 | NUT                      |                                     | 4       |

**F**

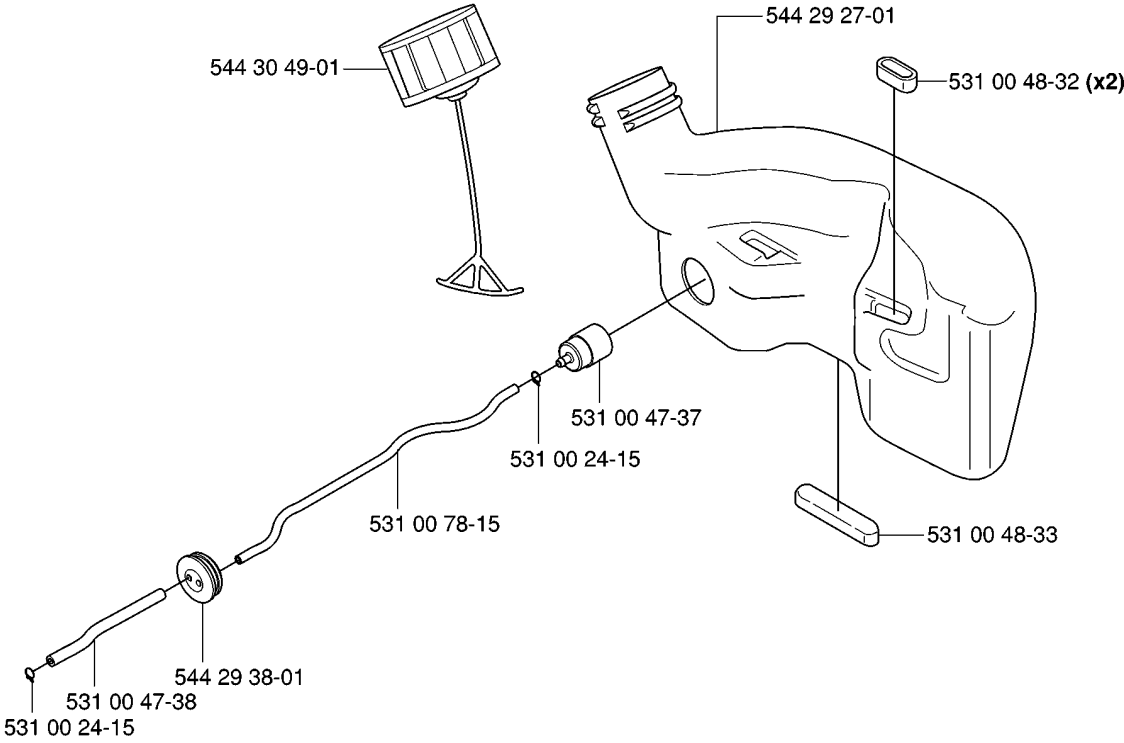


## CYLINDER

123 HD60, 2006-03

| Part No      | Description | Remark | QTY KIT |
|--------------|-------------|--------|---------|
| 531 00 48-02 | GEAR        |        | 1       |
| 531 00 48-06 | SHAFT       |        | 1       |
| 531 00 48-54 | SPRING PIN  |        | 1       |
| 544 29 24-01 | SCREW       |        | 2       |
| 544 29 55-01 | SCREW       |        | 2       |
| 544 30 38-01 | MUFFLER     |        | 1       |

**D**



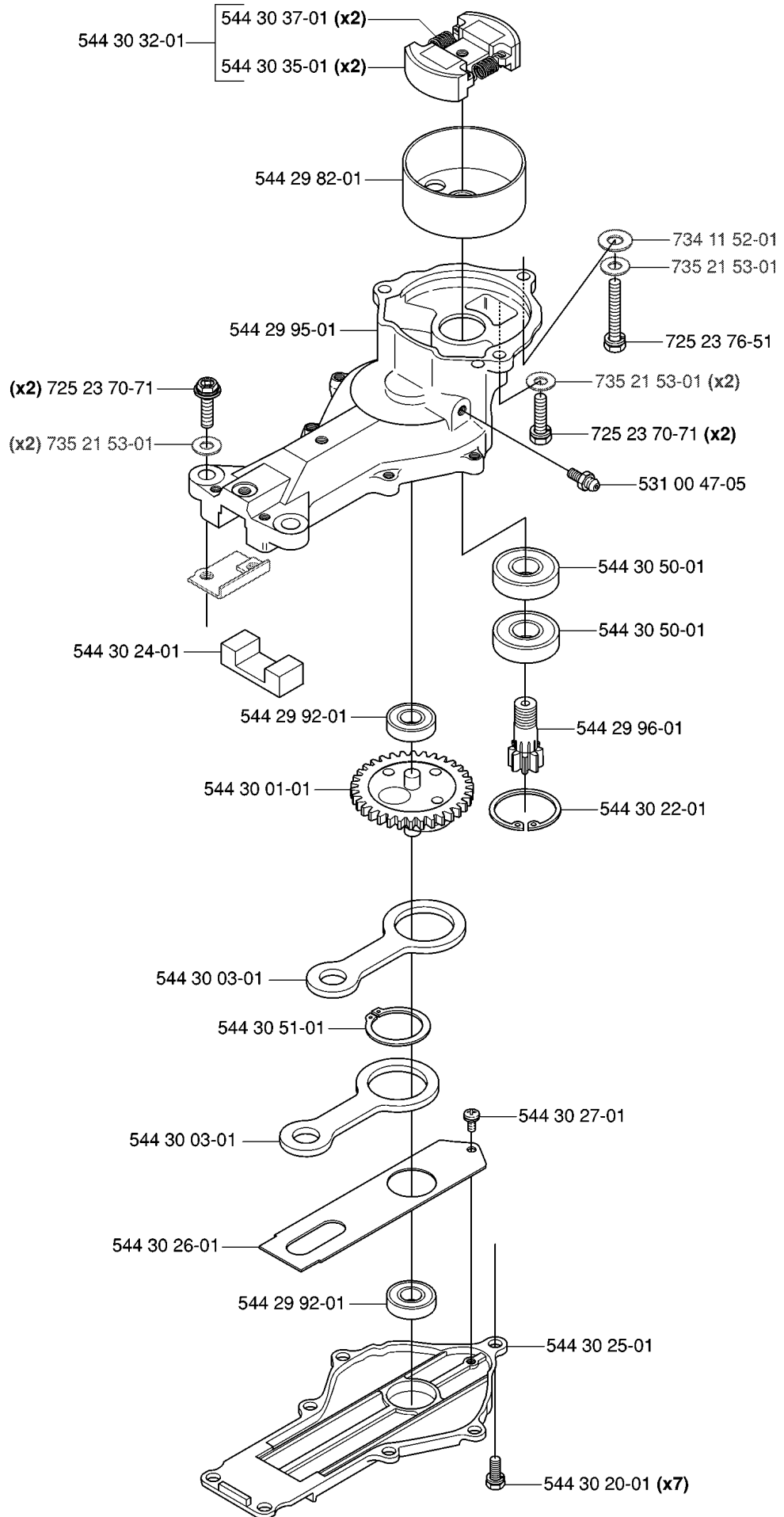


## FUEL TANK

123 HD60, 2006-03

| Part No      | Description   | Remark | QTY KIT |
|--------------|---------------|--------|---------|
| 531 00 24-15 | CLIP          |        | 1       |
| 531 00 24-15 | CLIP          |        | 1       |
| 531 00 47-37 | FILTER        |        | 1       |
| 531 00 47-38 | HOSE          |        | 1       |
| 531 00 48-32 | EXPANDER      |        | 2       |
| 531 00 48-33 | PIPE          |        | 1       |
| 531 00 78-15 | HOSE          |        | 1       |
| 544 29 27-01 | FUEL TANK     |        | 1       |
| 544 29 38-01 | GROMMET       |        | 1       |
| 544 30 49-01 | TANK CAP ASSY |        | 1       |

# K

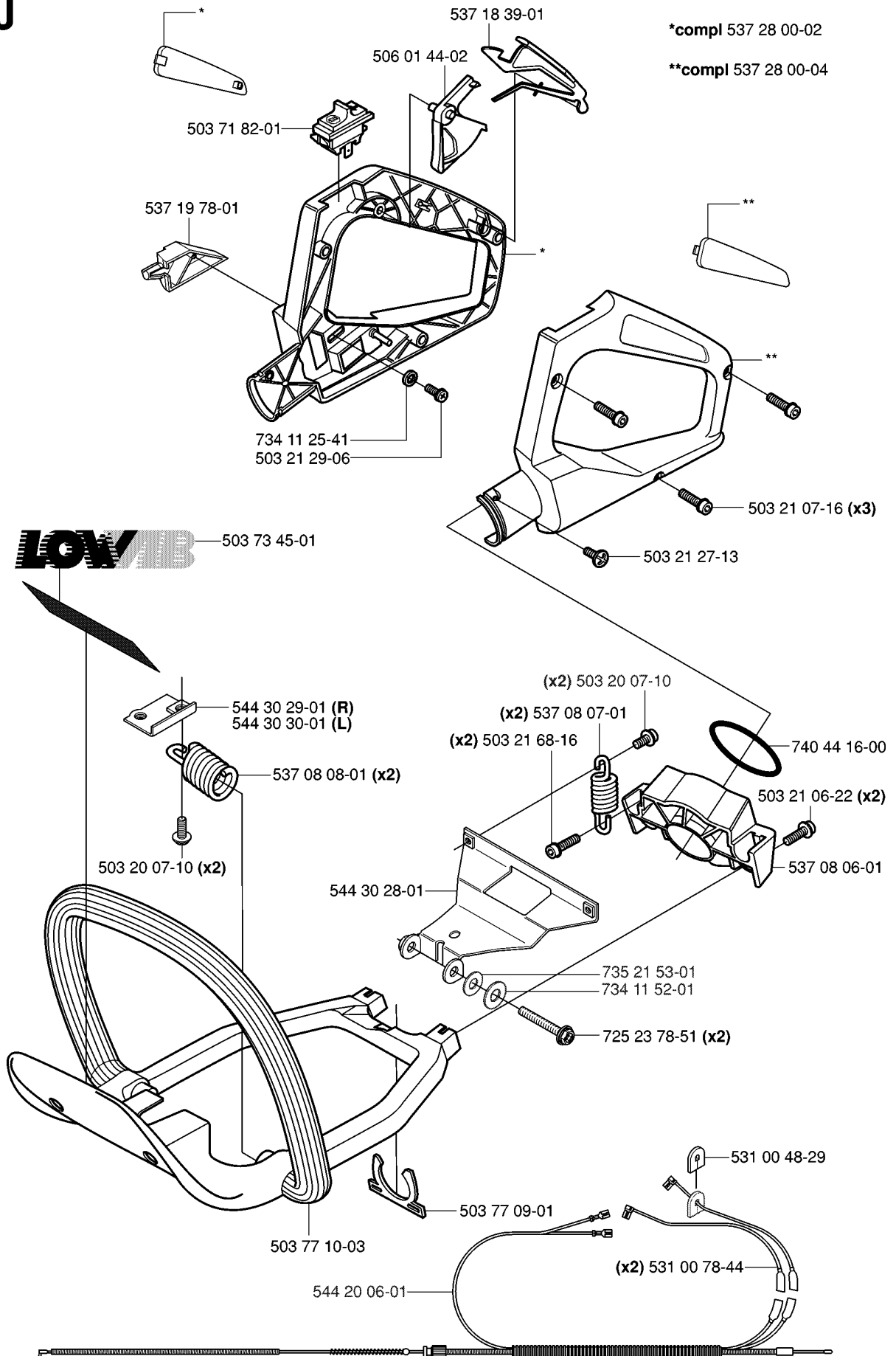


## GEAR HOUSING

123 HD60, 2006-03

| Part No      | Description | Remark | QTY KIT |
|--------------|-------------|--------|---------|
| 531 00 47-05 | NIPPLE      |        | 1       |
| 544 29 82-01 | DRUM        |        | 1       |
| 544 29 92-01 | BEARING     |        | 1       |
| 544 29 92-01 | BEARING     |        | 1       |
| 544 29 95-01 | HOUSING     |        | 1       |
| 544 29 96-01 | PINION      |        | 1       |
| 544 30 01-01 | CRANK       |        | 1       |
| 544 30 03-01 | ROD         |        | 1       |
| 544 30 03-01 | ROD         |        | 1       |
| 544 30 20-01 | SCREW       |        | 7       |
| 544 30 22-01 | SNAP RING   |        | 1       |
| 544 30 24-01 | FELT        |        | 1       |
| 544 30 25-01 | HOUSING     |        | 1       |
| 544 30 26-01 | PLATE       |        | 1       |
| 544 30 27-01 | SCREW       |        | 1       |
| 544 30 32-01 | CLUTCH ASSY |        | 1       |
| 544 30 35-01 | CLUTCH SHOE |        | 2       |
| 544 30 37-01 | SPRING      |        | 2       |
| 544 30 50-01 | BEARING     |        | 1       |
| 544 30 50-01 | BEARING     |        | 1       |
| 544 30 51-01 | SNAP RING   |        | 1       |
| 725 23 70-71 | SCREW EHHM  |        | 2       |
| 725 23 70-71 | SCREW EHHM  |        | 2       |
| 725 23 76-51 | SCREW EHHM  |        | 1       |

J

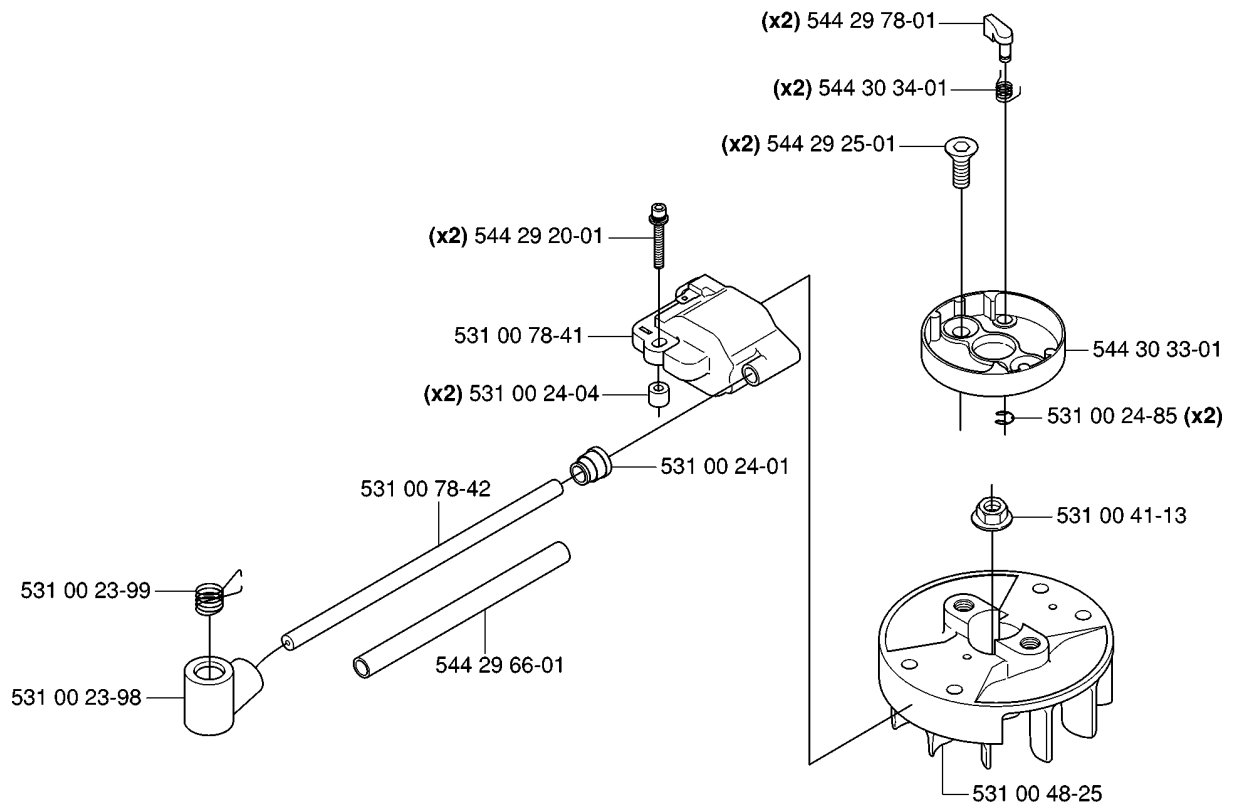


## HANDLE &amp; CONTROLS

123 HD60, 2006-03

| Part No      | Description      | Remark | QTY KIT |
|--------------|------------------|--------|---------|
| 503 20 07-10 | SCREW IHSCFM     |        | 2       |
| 503 21 06-22 | SCREW IHST       |        | 2       |
| 503 21 07-16 | SCREW IHST       |        | 3       |
| 503 21 27-13 | SCREW CCRPANT    |        | 1       |
| 503 21 29-06 | SCREW CCRPANT    |        | 1       |
| 503 21 68-16 | SCREW IHST       |        | 2       |
| 503 21 68-16 | SCREW IHST       |        | 2       |
| 503 71 82-01 | SWITCH           |        | 1       |
| 503 73 45-01 | LABEL            |        | 1       |
| 503 77 09-01 | SECURING PLATE   |        | 1       |
| 503 77 10-03 | FRONT HANDLE     |        | 1       |
| 506 01 44-02 | THROTTLE TRIGGER |        | 1       |
| 531 00 48-29 | ATTACHMENT       |        | 1       |
| 531 00 78-44 | SHORTING LEAD    |        | 2       |
| 537 08 06-01 | SPRING           |        | 1       |
| 537 08 07-01 | SPRING           |        | 2       |
| 537 08 08-01 | SPRING           |        | 2       |
| 537 10 51-01 | WIRING           |        | 1       |
| 537 18 39-01 | THROTTLE LOCKOUT |        | 1       |
| 537 19 78-01 | COVER            |        | 1       |
| 537 28 00-02 | HANDLE ASSY      |        | 1       |
| 537 28 00-04 | HANDLE ASSY      |        | 1       |
| 544 30 28-01 | STAY             |        | 1       |
| 544 30 29-01 | STAY             | R      | 1       |
| 544 30 30-01 | STAY             | L      | 1       |
| 725 23 78-51 | SCREW EHHM       |        | 2       |
| 734 11 25-41 | WASHER           |        | 1       |
| 740 44 16-00 | O-RING           |        | 1       |

# E

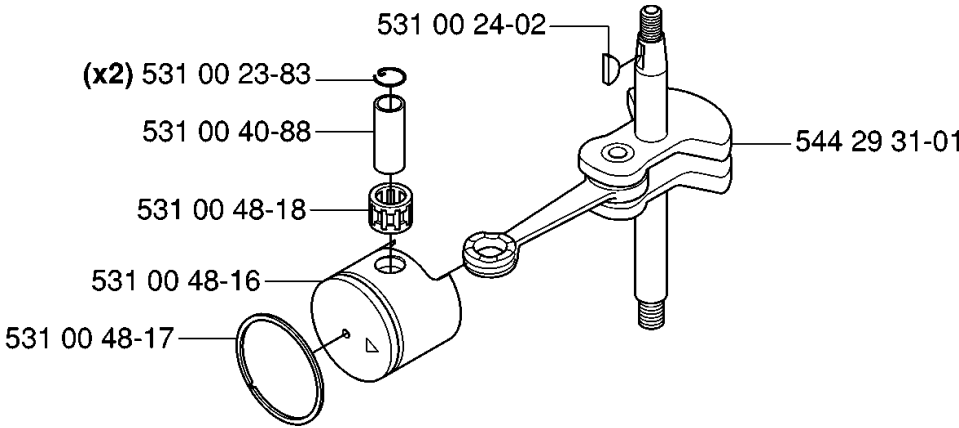


## IGNITION SYSTEM

123 HD60, 2006-03

| Part No      | Description           | Remark | QTY KIT |
|--------------|-----------------------|--------|---------|
| 531 00 23-98 | SPARK PLUG CONNECTION |        | 1       |
| 531 00 23-99 | SPRING                |        | 1       |
| 531 00 24-01 | SLEEVE                |        | 1       |
| 531 00 24-04 | SPACER                |        | 2       |
| 531 00 24-85 | RETAINING RING        |        | 2       |
| 531 00 41-13 | NUT                   |        | 1       |
| 531 00 48-25 | SPLASH GUARD          |        | 1       |
| 531 00 78-41 | IGNITION MODULE       |        | 1       |
| 531 00 78-42 | CABLE                 |        | 1       |
| 544 29 20-01 | SCREW                 |        | 2       |
| 544 29 25-01 | SCREW                 |        | 2       |
| 544 29 66-01 | INSULATOR             |        | 1       |
| 544 29 78-01 | PAWL                  |        | 2       |
| 544 30 33-01 | HOUSING               |        | 1       |
| 544 30 34-01 | RECOIL SPRING         |        | 2       |

**H**



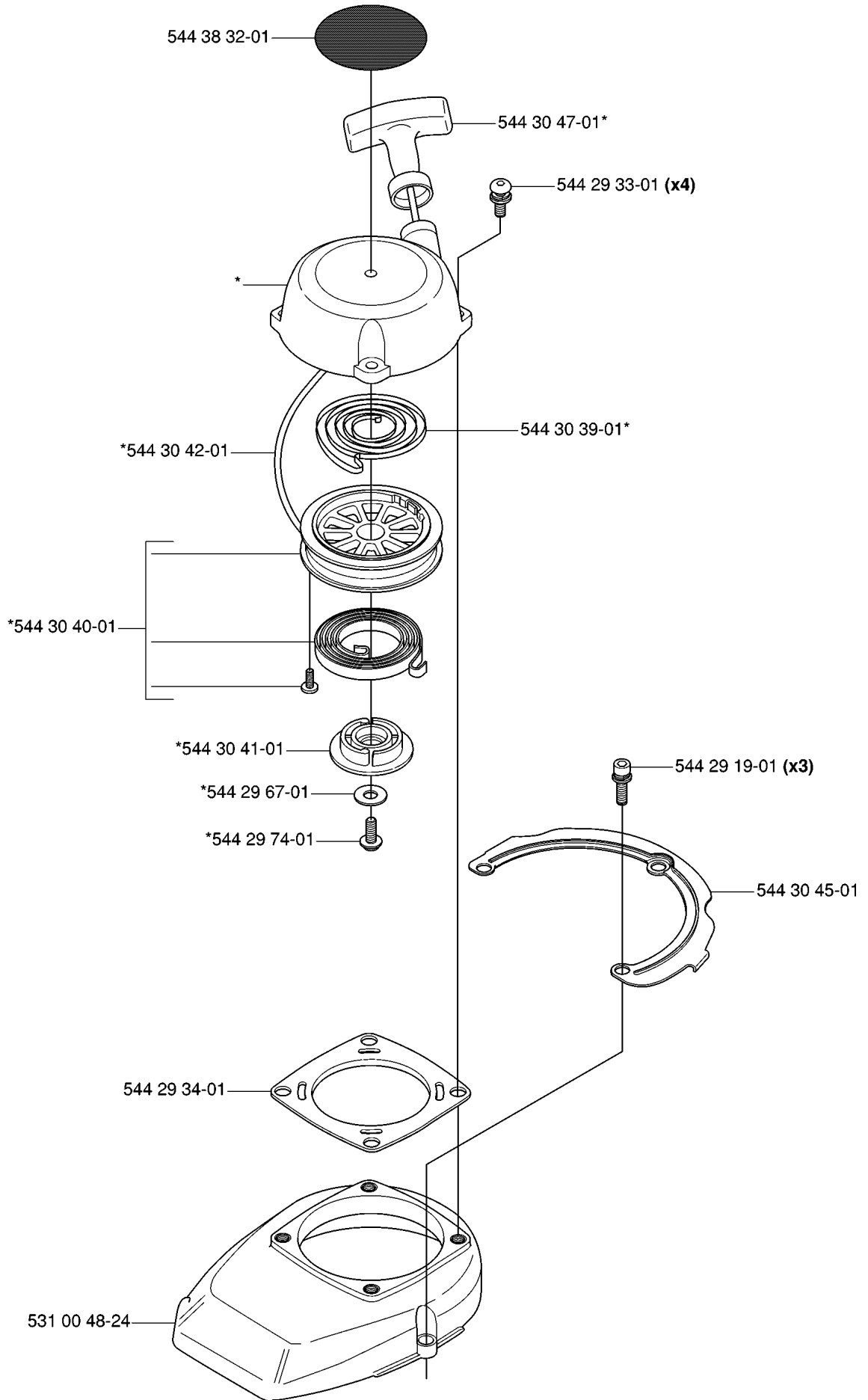


PISTON & CRANKSHAFT

123 HD60, 2006-03

| Part No      | Description    | Remark | QTY KIT |
|--------------|----------------|--------|---------|
| 531 00 23-83 | CLIP           |        | 2       |
| 531 00 24-02 | KEY            |        | 1       |
| 531 00 40-88 | PISTON BOLT    |        | 1       |
| 531 00 48-16 | DRIVE SHAFT    |        | 1       |
| 531 00 48-17 | PISTON RING    |        | 1       |
| 531 00 48-18 | MACHINE HOLDER |        | 1       |
| 544 29 31-01 | SHAFT ASSY     |        | 1       |

**A** \*compl 544 30 46-01



## STARTER

123 HD60, 2006-03

| Part No      | Description          | Remark | QTY KIT |
|--------------|----------------------|--------|---------|
| 531 00 48-24 | COVER                |        | 1       |
| 544 29 19-01 | SCREW                |        | 3       |
| 544 29 33-01 | SCREW                |        | 4       |
| 544 29 34-01 | PLATE                |        | 1       |
| 544 29 67-01 | WASHER               |        | 1       |
| 544 29 74-01 | SCREW                |        | 1       |
| 544 30 39-01 | RECOIL SPRING        |        | 1       |
| 544 30 40-01 | SPRING CASSETTE ASSY |        | 1       |
| 544 30 41-01 | STARTER PULLEY       |        | 1       |
| 544 30 42-01 | STARTER CORD         |        | 1       |
| 544 30 45-01 | PLATE                |        | 1       |
| 544 30 46-01 | STARTER ASSY         |        | 1       |
| 544 30 47-01 | STARTER HANDLE       |        | 1       |
| 544 38 32-01 | DECAL                |        | 1       |