

# 323P4

# 325P5

**X-SERIES**

# Saw attachment

**Spare parts**

**Ersatzteile**

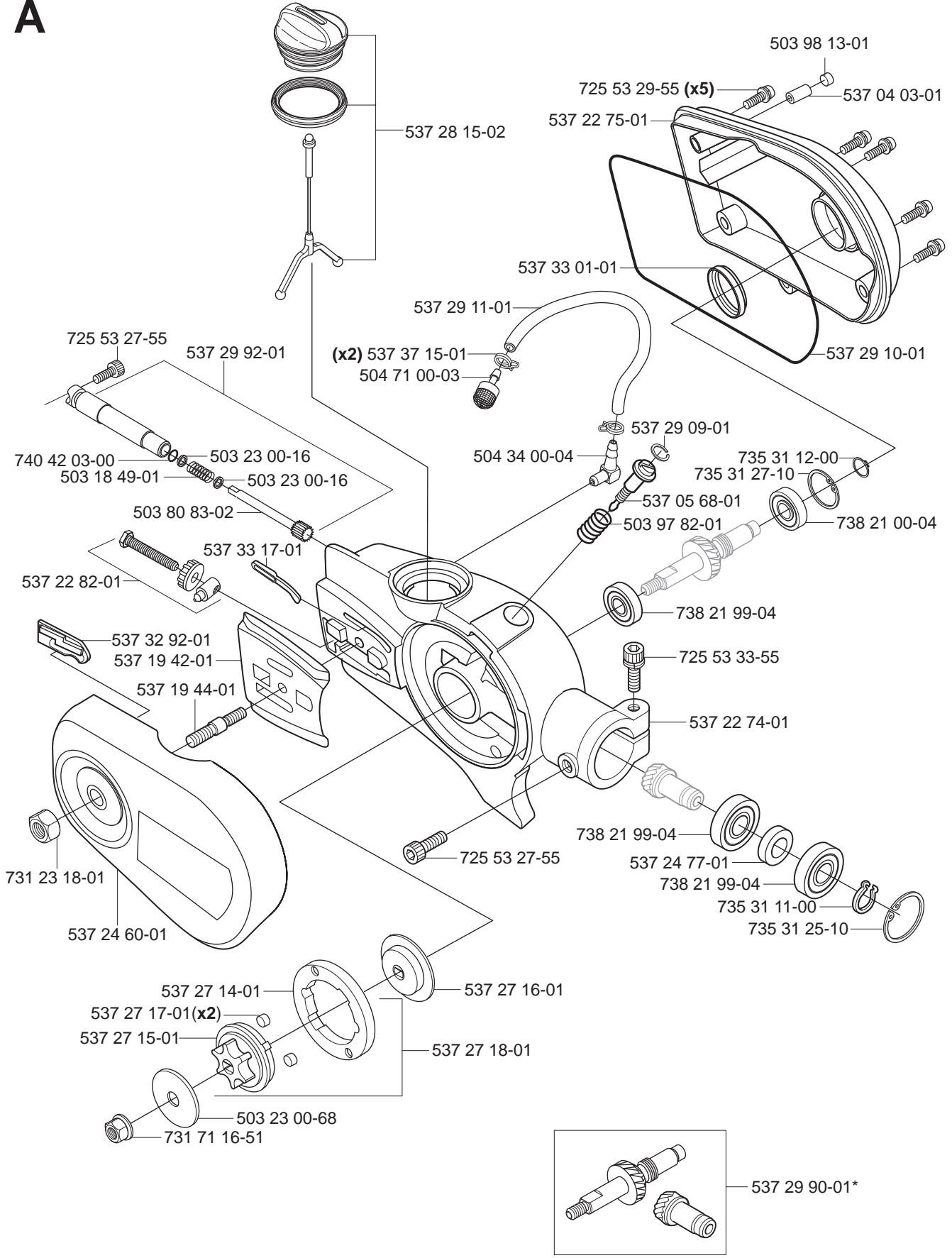
**Pièces détachées**

**Reserve onderdelen**

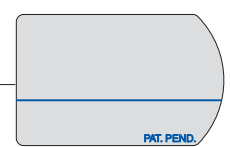
**Repuestos**

**Reservdelar**

**A**

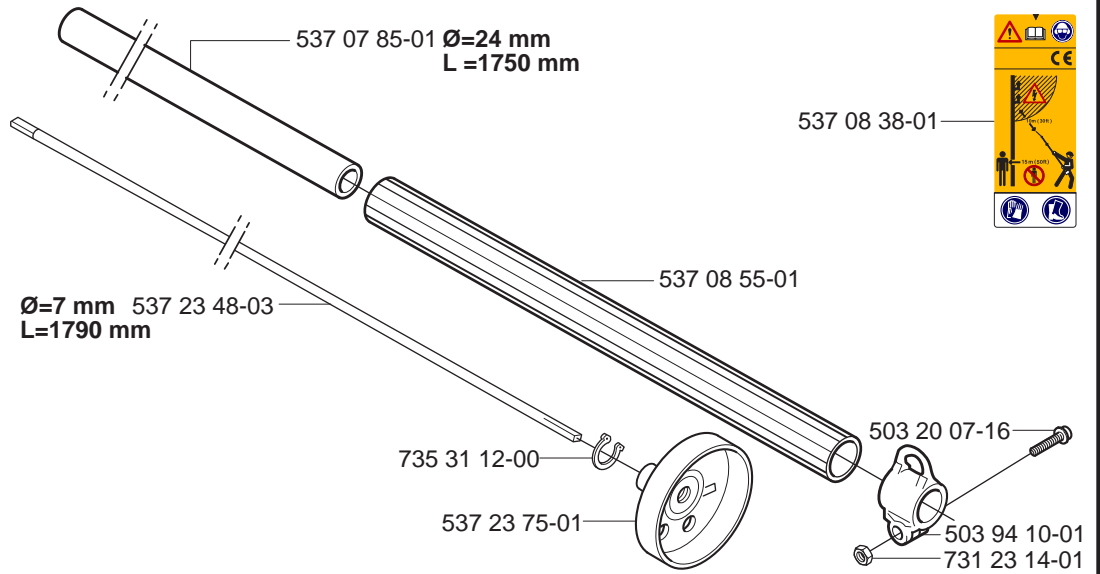


537 23 00-01

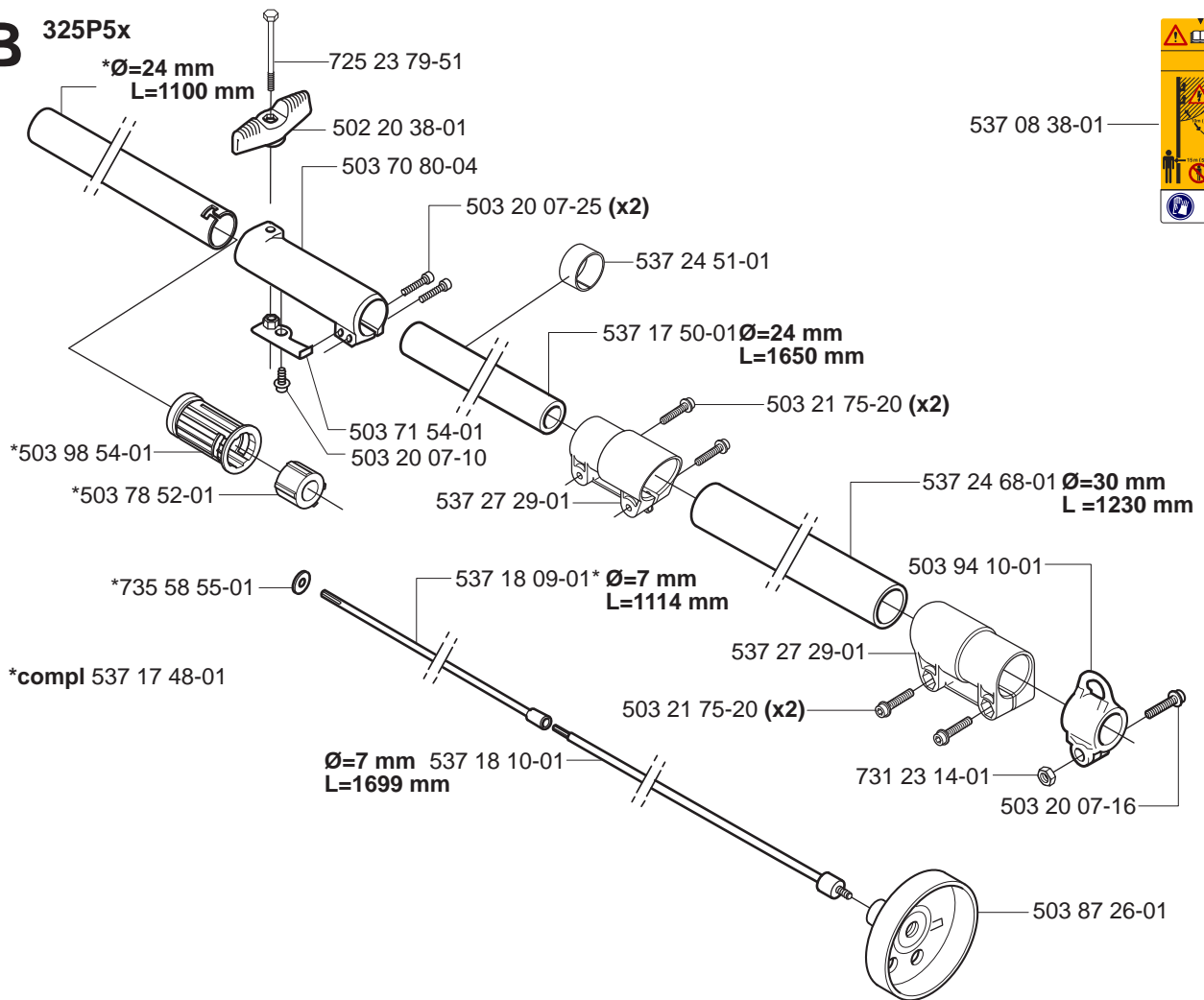


PAT. PEND.

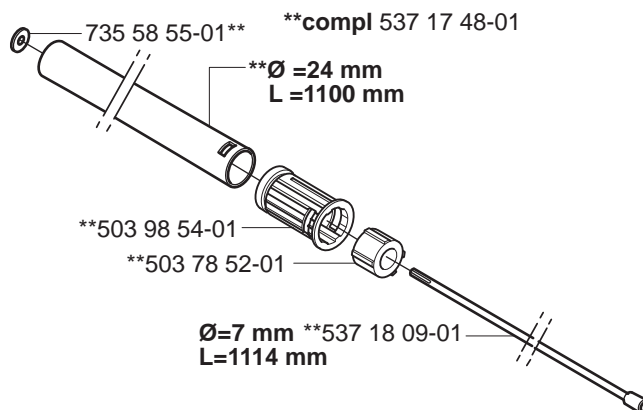
**B** 323P4



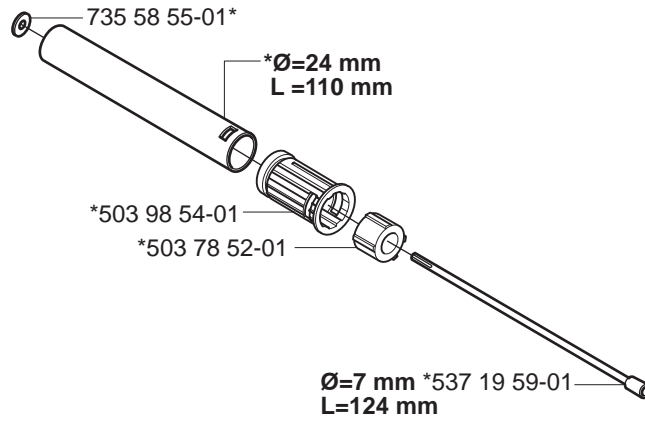
**B** 325P5x



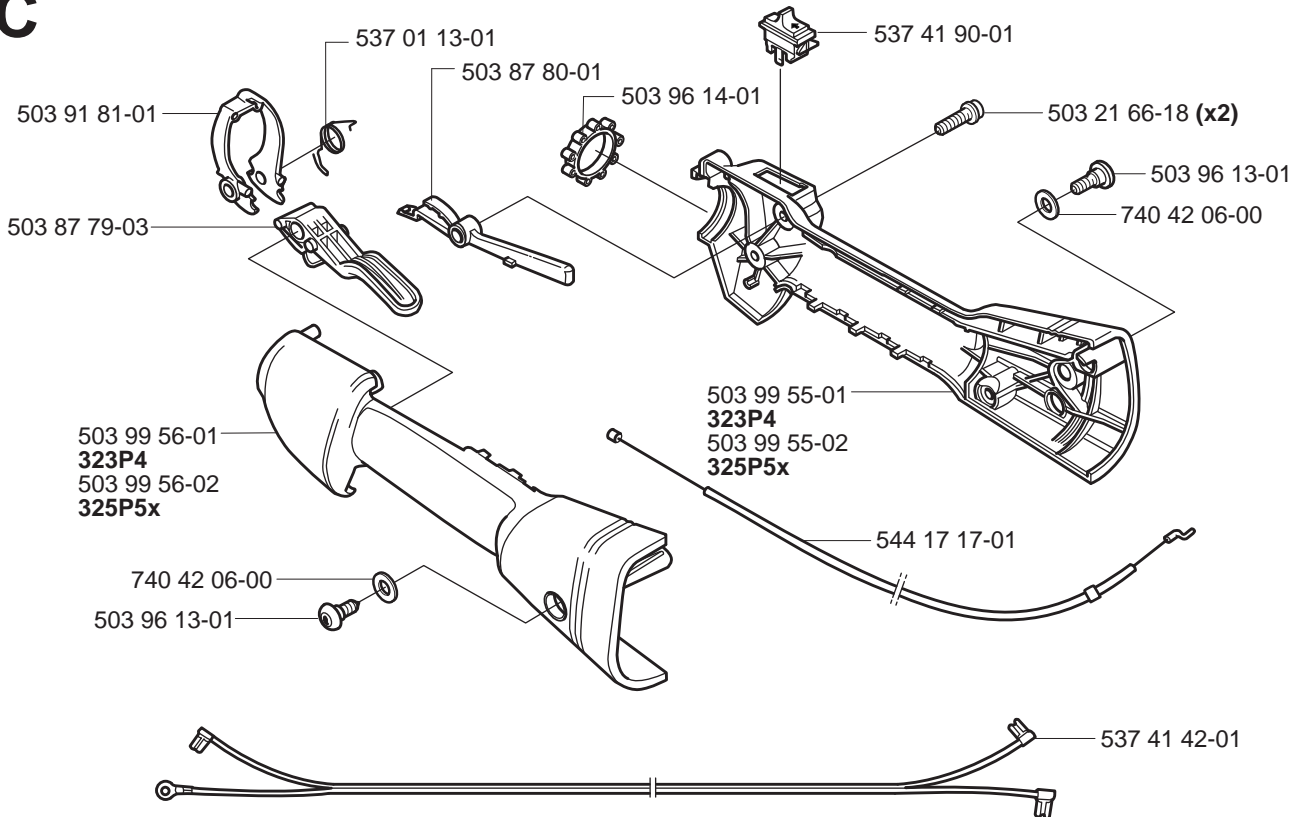
**B** Saw Attachment



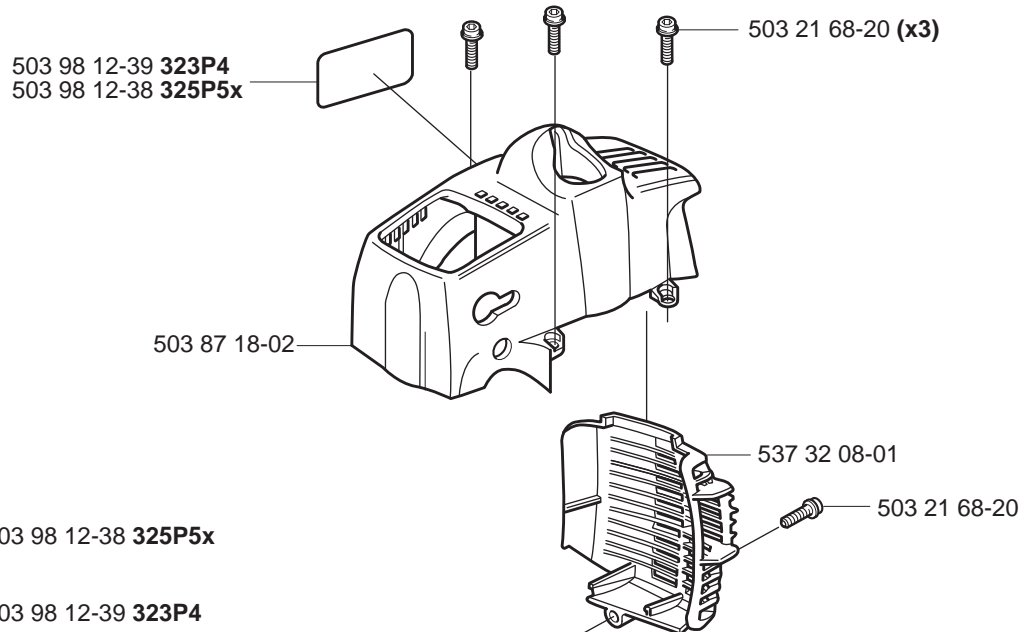
**B** Saw Attachment  
\*compl 537 19 58-01



**C**



**D**

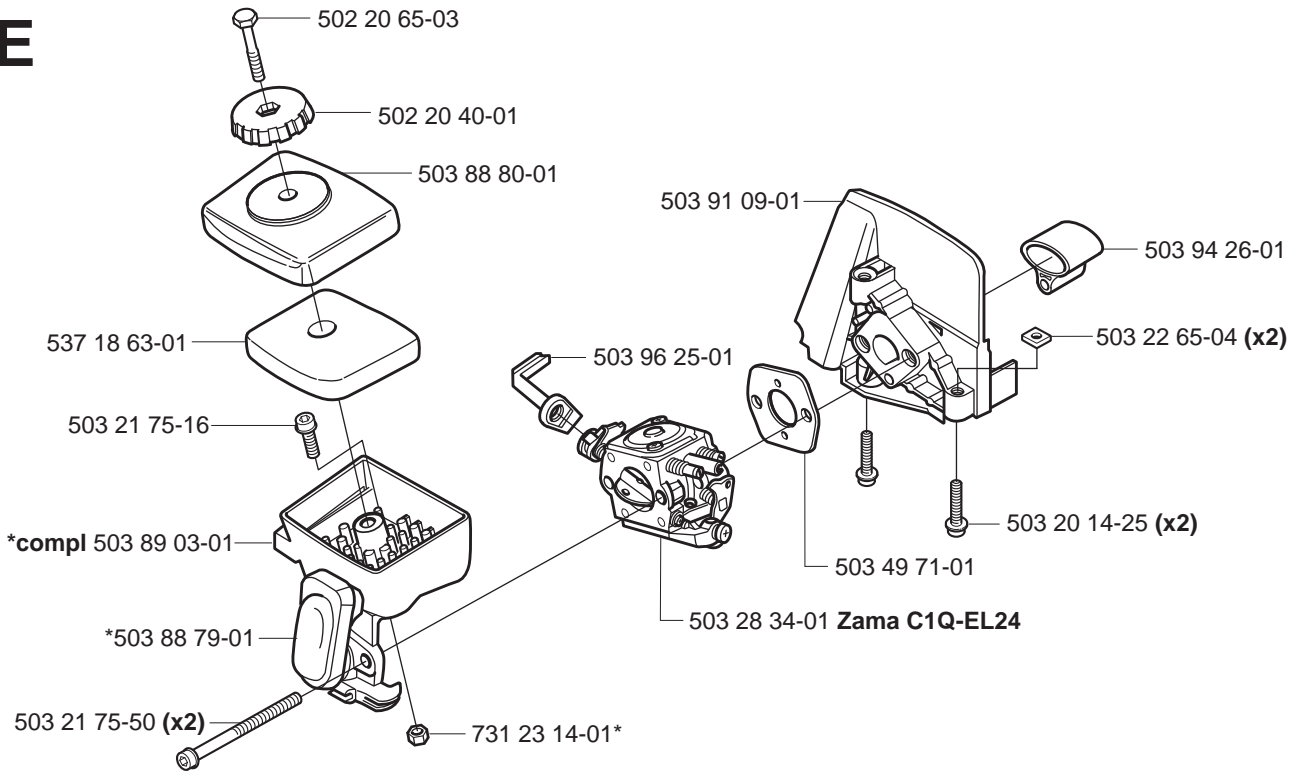


503 98 12-38 325P5x

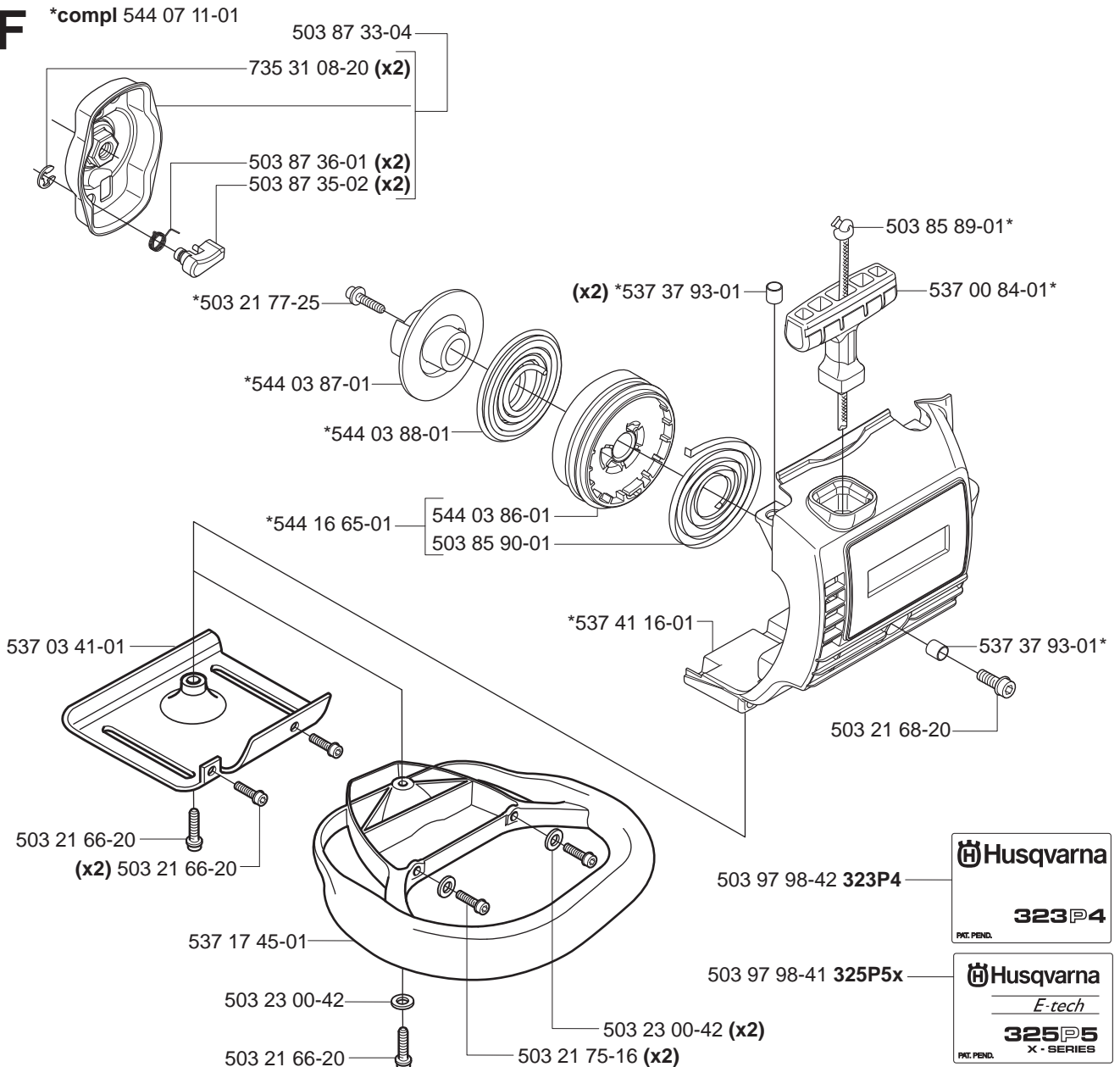


503 98 12-39 323P4

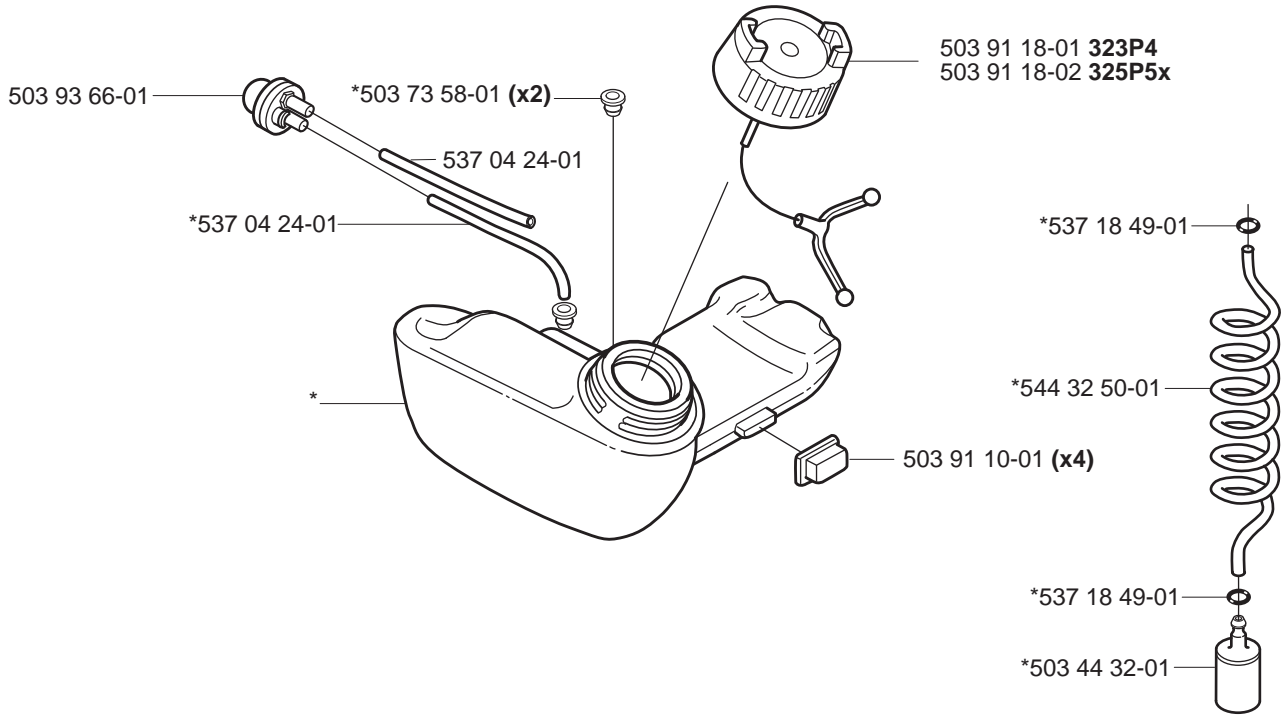
# E



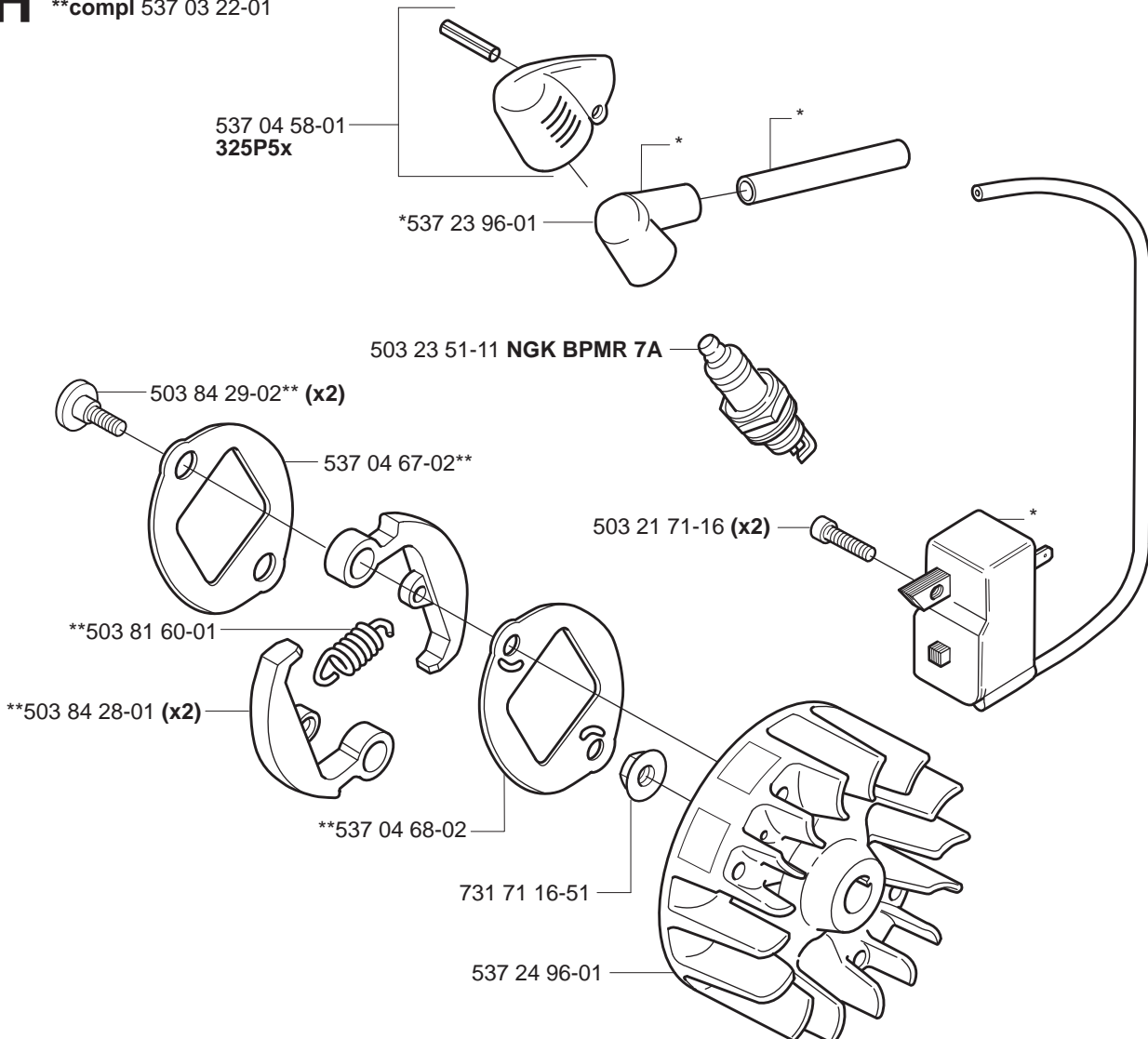
# F



**G** \*compl 537 06 86-02



**H** \* compl 537 41 87-01  
\*\*compl 537 03 22-01

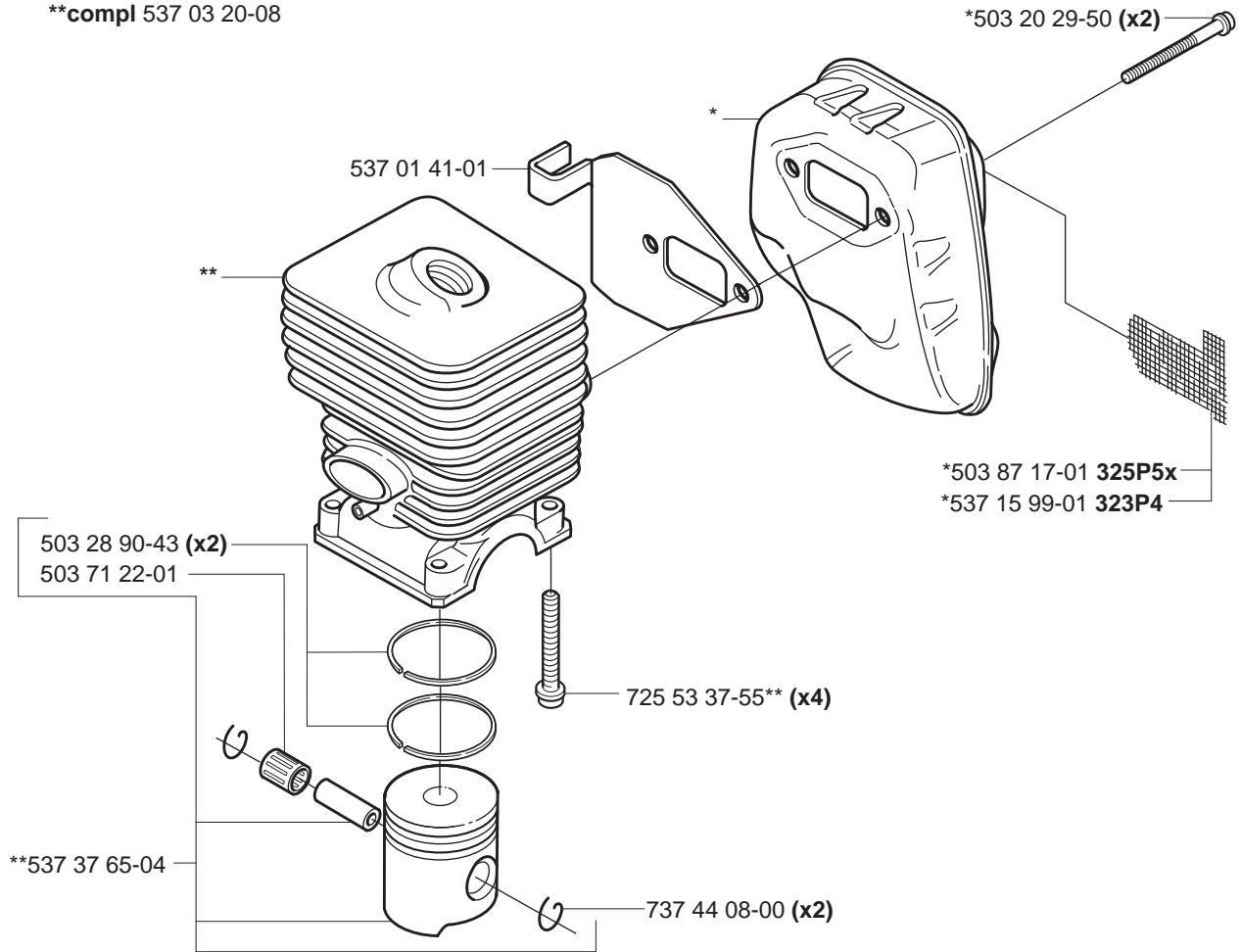


**J**

\*compl 537 03 94-01 325P5x

\*compl 537 16 19-01 323P4

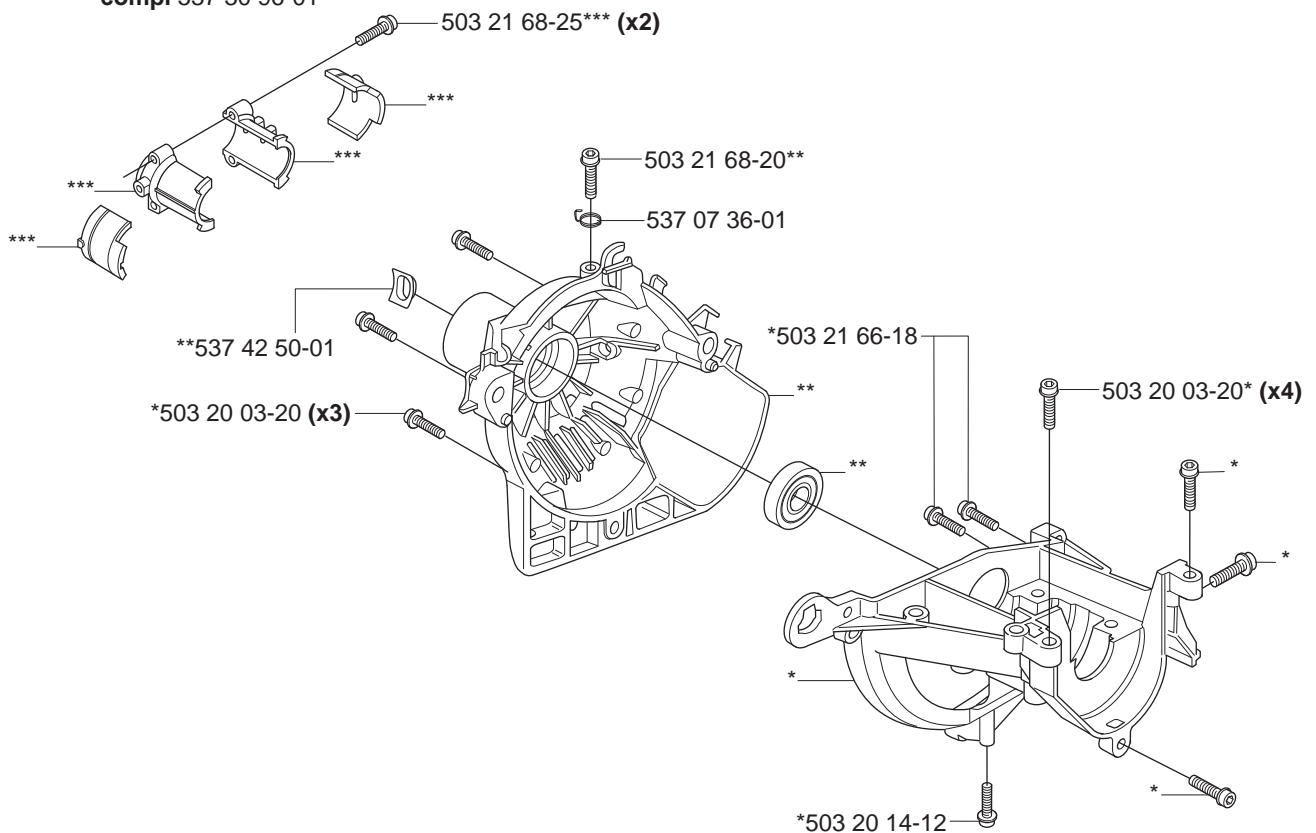
\*\*compl 537 03 20-08

**K**

\*compl 537 04 11-02

\*\*compl 537 04 12-05

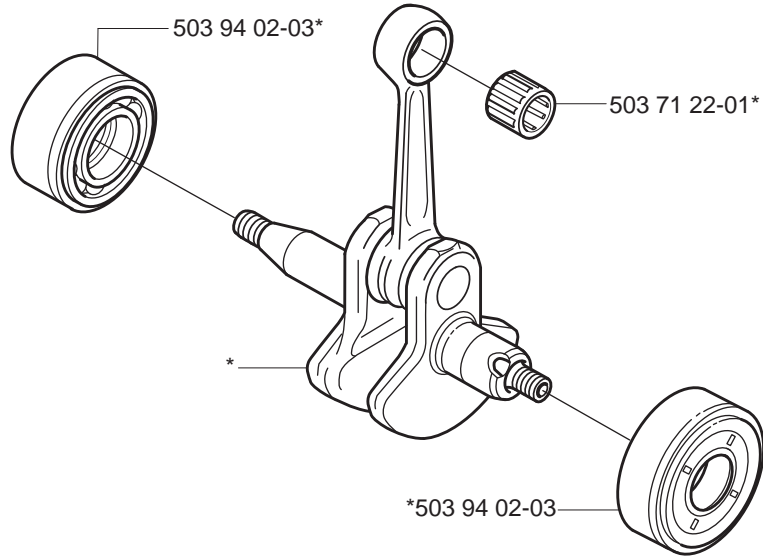
\*\*\*compl 537 30 96-01





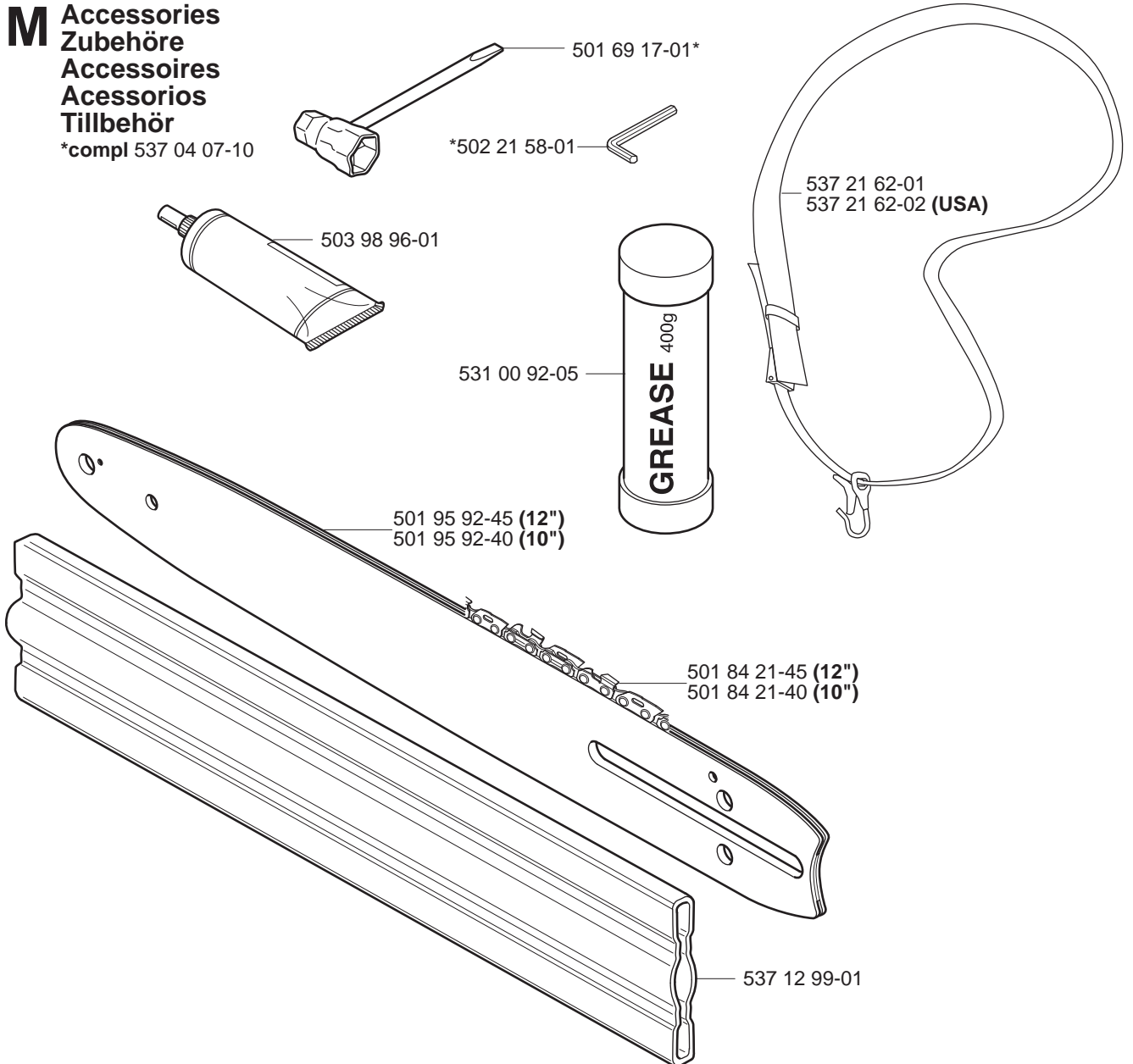
**L**

\*compl 503 85 24-74



**M** Accessories  
Zubehöre  
Accessoires  
Acessorios  
Tillbehör

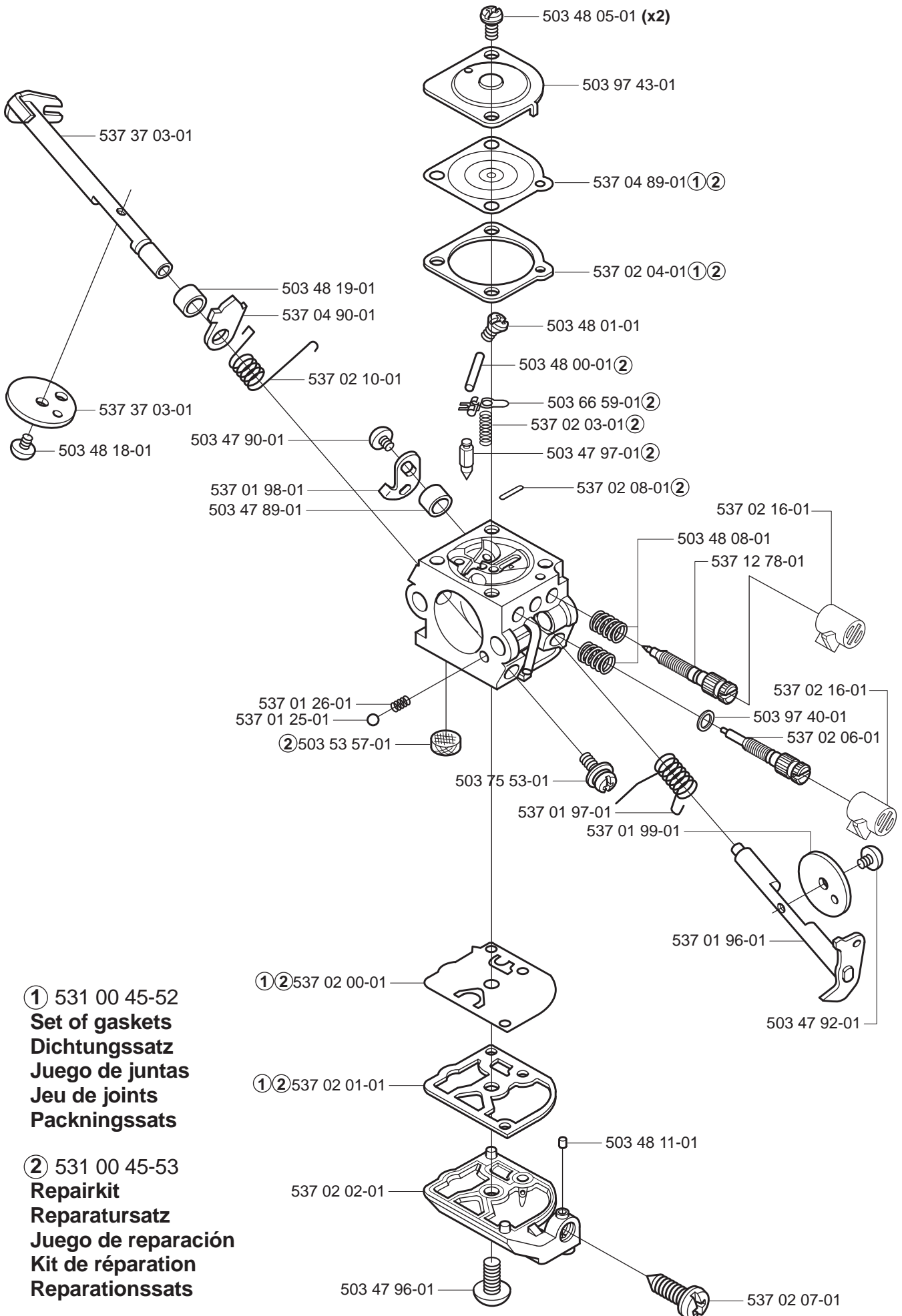
\*compl 537 04 07-10





**N**

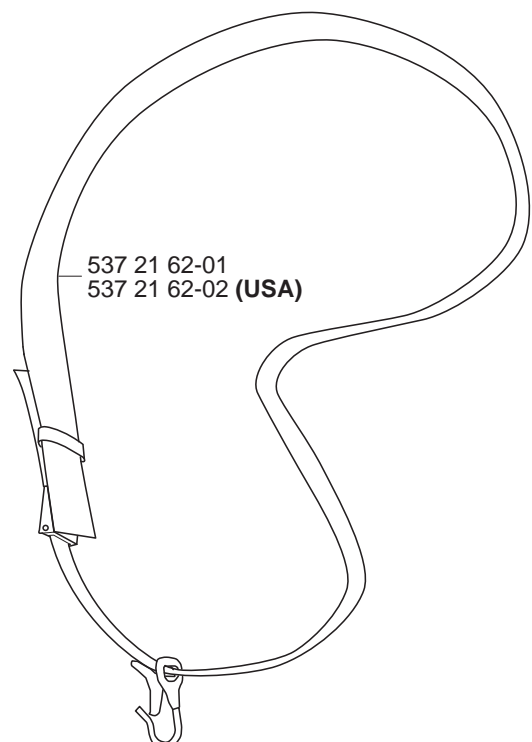
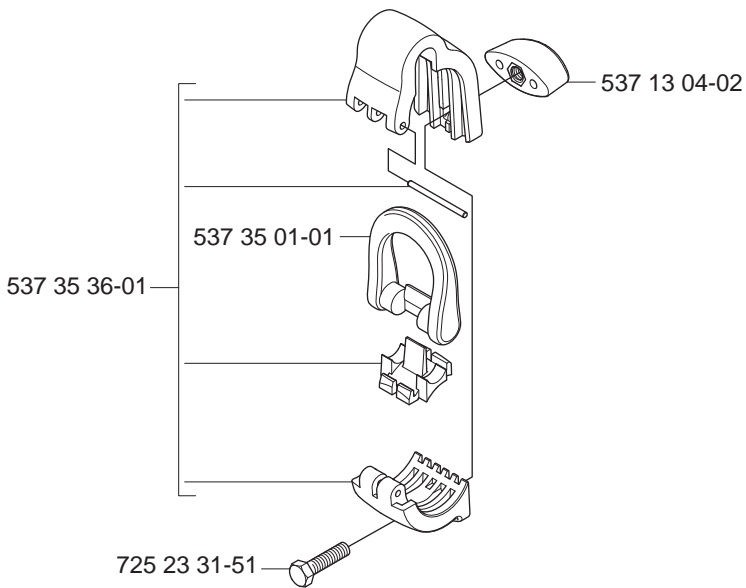
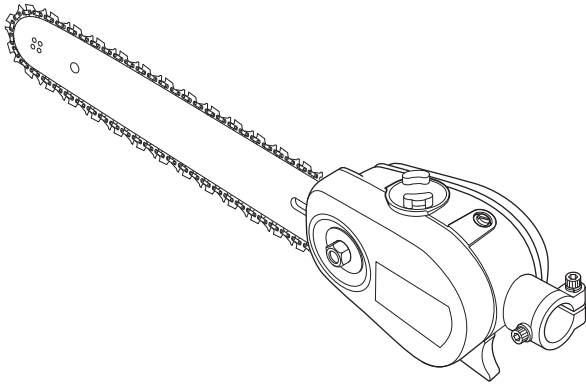
compl 503 28 34-01 Zama C1Q-EL24

**Zama C1Q-EL24**

① 531 00 45-52  
**Set of gaskets**  
**Dichtungssatz**  
**Juego de juntas**  
**Jeu de joints**  
**Packningssatz**

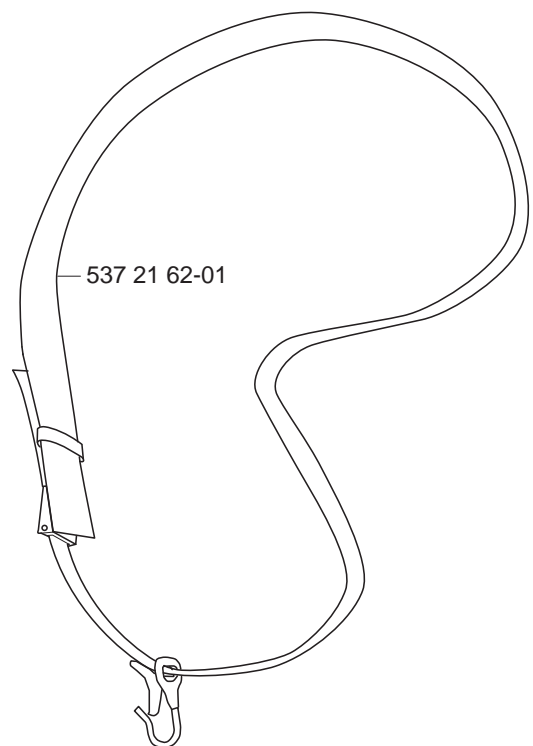
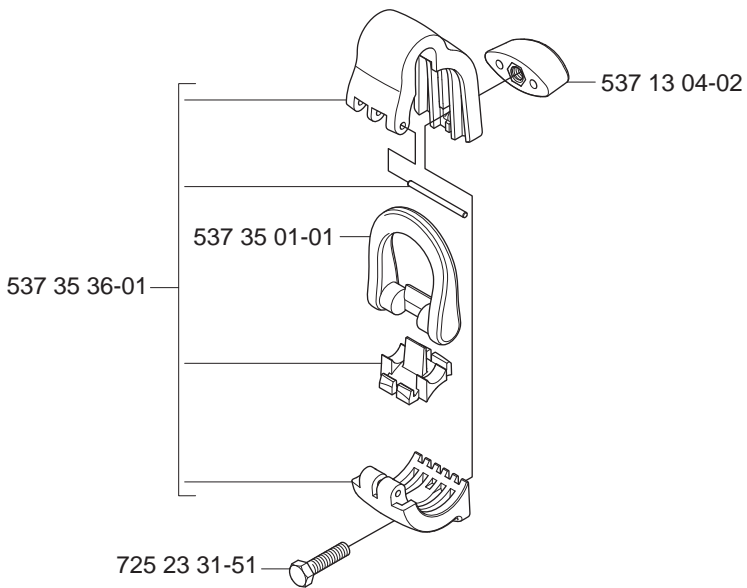
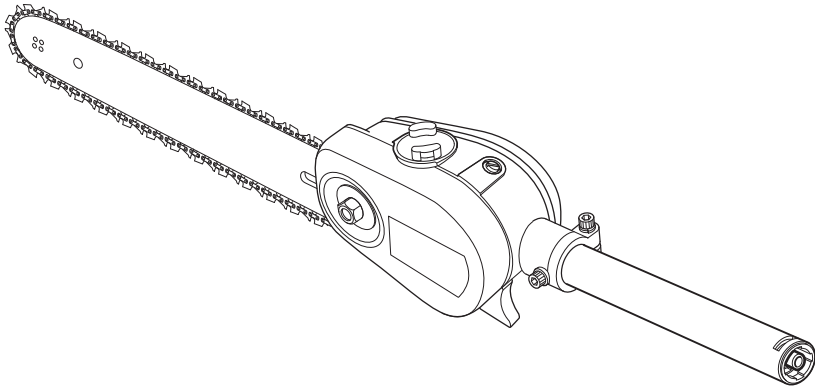
② 531 00 45-53  
**Repairkit**  
**Reparatursatz**  
**Juego de reparación**  
**Kit de réparation**  
**Reparationsatz**

**P** Saw Attachment  
compl 537 18 33-11  
compl 537 18 33-12 (USA)



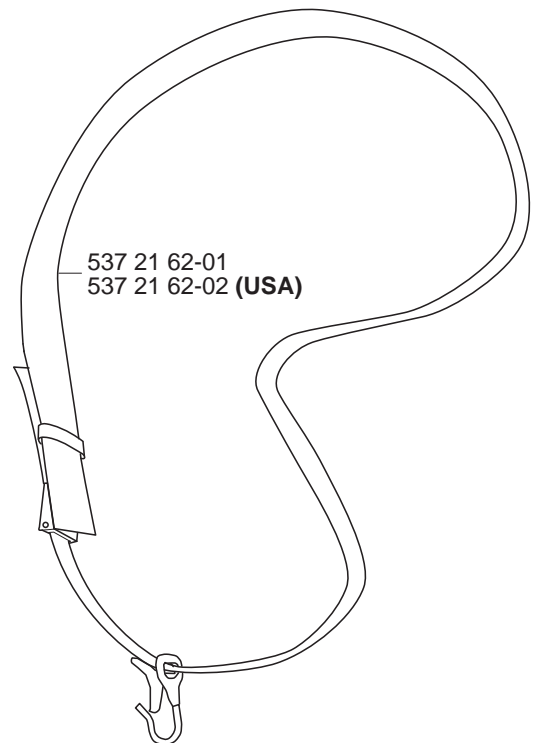
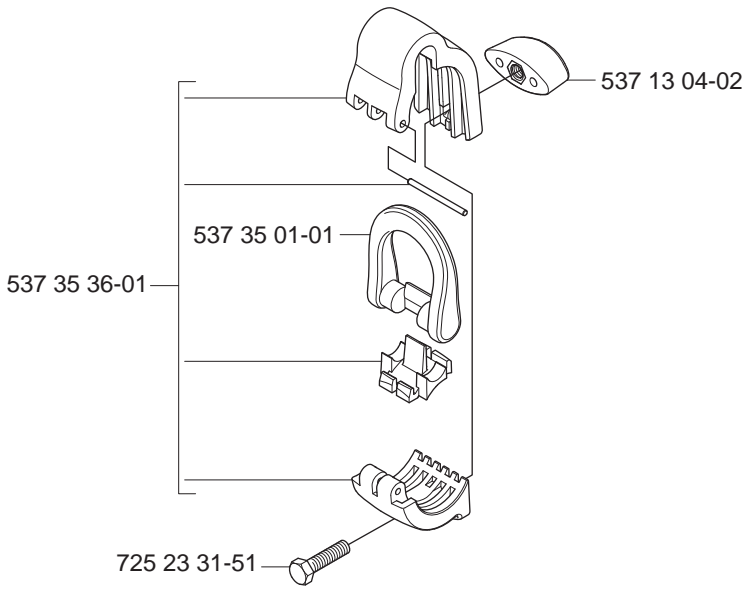
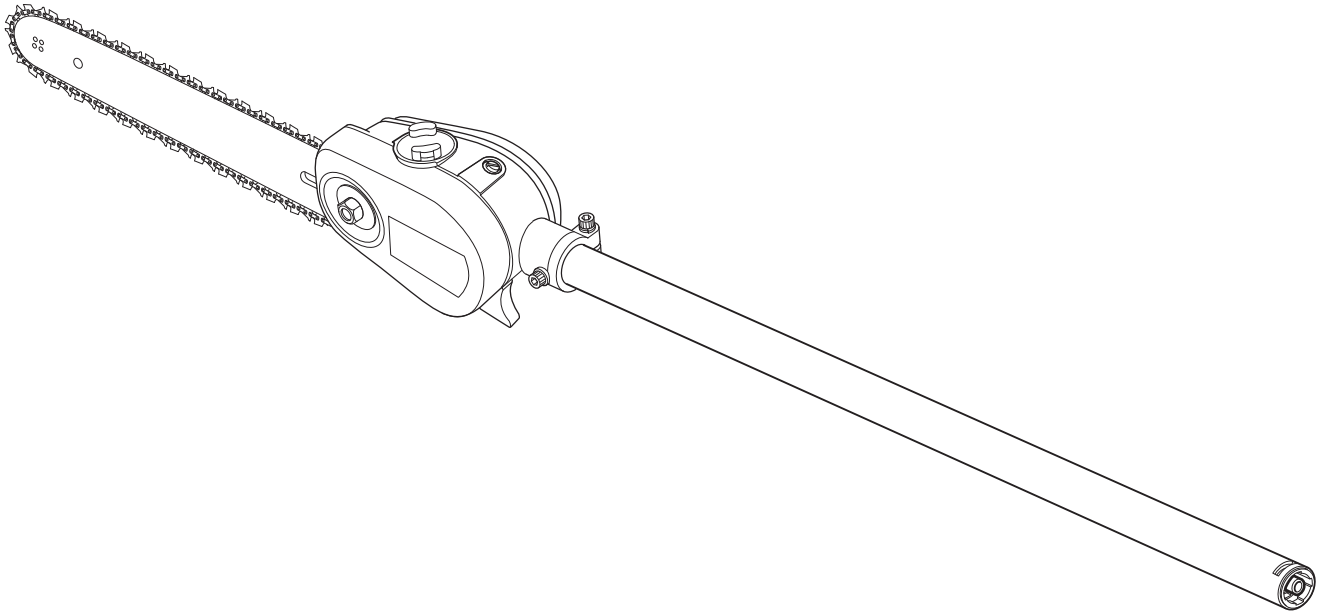
537 38 89-01

**P** Saw Attachment L=110mm  
compl 537 18 33-13



537 38 89-01

**P** Saw Attachment L=1100mm  
compl 537 18 33-16  
compl 537 18 33-17 (USA)



537 38 89-01