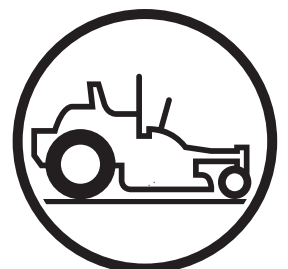


Parts manual
iZ21/968999527,
iZ25XP/968999528



Please read the operator's manual carefully and make sure you understand the instructions before using the machine.

English

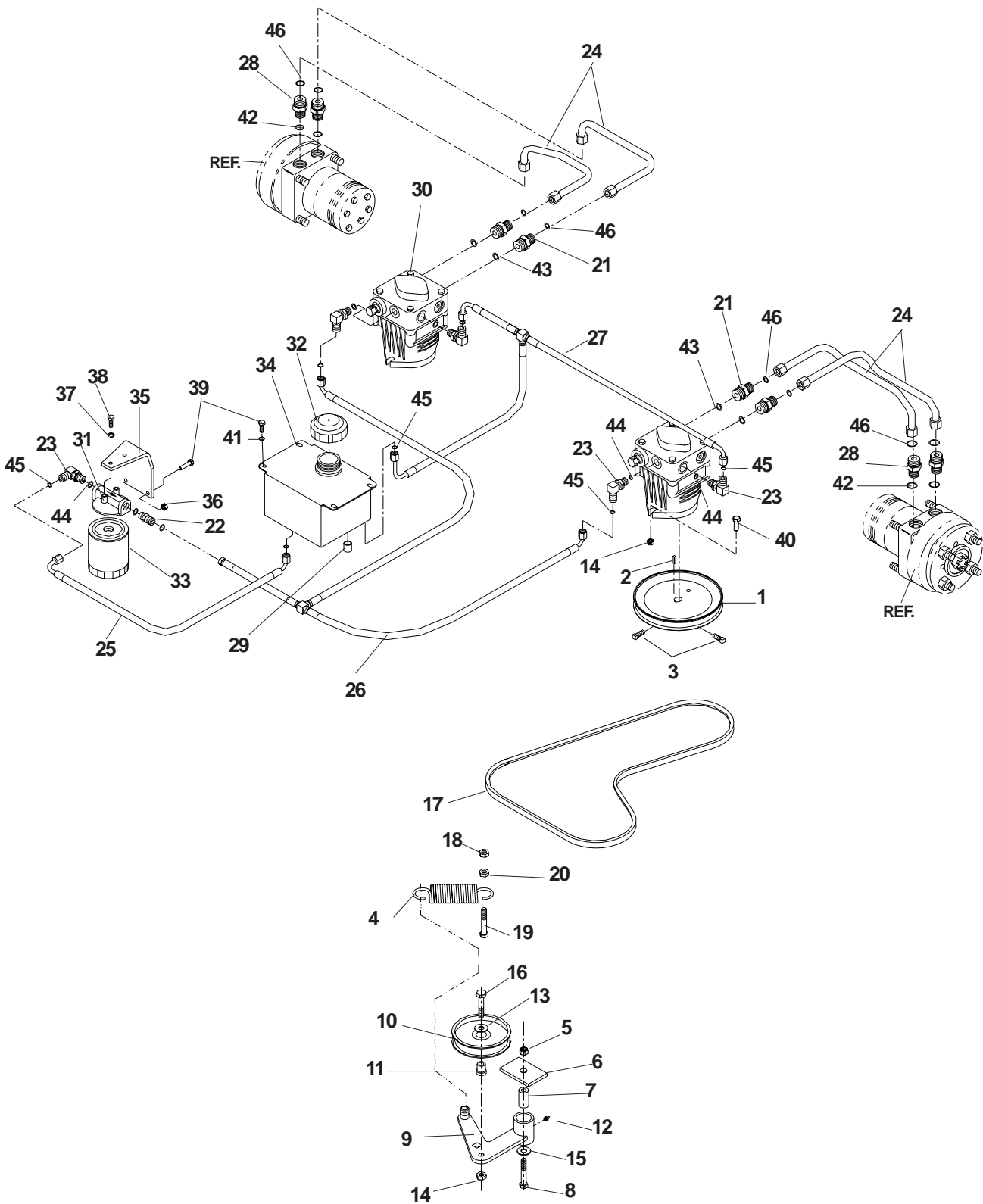
CONTENTS

**SECTION
PAGE**

HYDRAULIC ASSEMBLY (TL)	4 - 5
FRAME ASSEMBLY	6 - 9
SEAT ASSEMBLY - MODEL: 968999527	10 - 11
SEAT ASSEMBLY - MODEL: 968999528	12 - 13
KAWASAKI 21 HP ENGINE ASSEMBLY - MODEL: 968999527	14 - 15
KOHLER 25 HP ENGINE ASSEMBLY - MODEL: 968999528	16 - 17
MOTION CONTROL ASSEMBLY	18 - 19
BRAKE & PARK BRAKE ASSEMBLY (TL)	20 - 21
CASTER ARM	22 - 23
48" TUNNEL DECK ASSEMBLY	24 - 25
48" COMBI DECK ASSEMBLY	26 - 27
48" COMBI DECK STRUTS	28 - 29
DECK LIFT ASSEMBLY	30 - 31
WIRING ASSEMBLIES	32 - 33
DECAL ASSEMBLY	34 - 35
LIFT PEDAL	36
ROPS	37
ACCESSORIES:	
MULCH KITS	38 - 39
HCS9 COLLECTION SYSTEM	40 - 41
DFS COLLECTION SYSTEM	42 - 60
LIGHT KIT	61
WIRING DIAGRAMS	62 - 63

NOTE: ALL FASTENERS ARE GRADE 5 UNLESS OTHERWISE SPECIFIED.

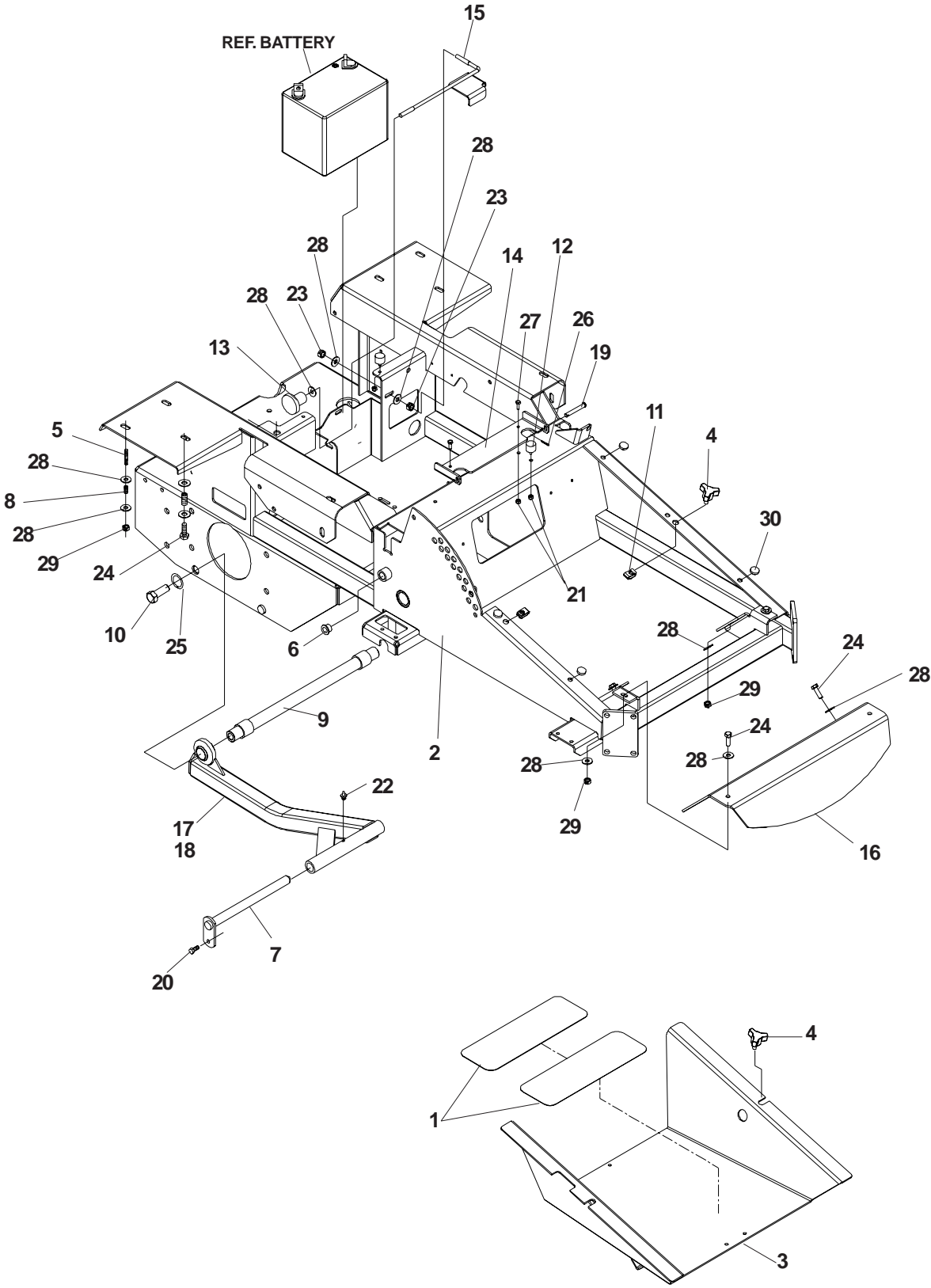
HYDRAULIC ASSEMBLY (TL)



HYDRAULIC ASSEMBLY (TL)

ITEM	PART NO.	QTY.	DESCRIPTION
1	539 101176	2	PULLEY
2	539 101177	2	KEY, 5MM SQ X 30MM
3	539 102717	4	SCREW, 5/16-18 X 5/8, SET
4	539 103256	1	SPRING, EXTENSION
5	539 101331	1	NUT, 1/2-13, NYLOC
6	539 102236	1	PAD
7	539 103427	1	BUSHING, PIVOT
8	539 103433	1	HCS, 1/2-13 X 3 1/4, GR5
9	539 104388	1	IDLER ARM
10	539 976688	1	PULLEY, IDLER
11	539 976695	1	BUSHING, FLANGE IDLER
12	539 976998	1	ZERK, STRAIGHT, 1/4-28
13	539 990517	1	WASHER, 3/8
14	539 990546	5	NUT, 3/8-16, CENTERLOCK
15	539 990550	1	WASHER, 9/16
16	539 990730	1	HCS, 3/8-16 X 1 3/4, GR5
17	539 106887	1	PUMP BELT
18	539 976979	4	NUT, 3/8-16, NYLOC
19	539 990588	1	HCS, 3/8-16 X 2, GR5
20	539 990613	1	NUT, 3/8-16, WHIZLK
21	539 101237	4	FITTING, F6400-8-8-0
22	539 113782	1	HYDRAULIC FITTING
23	539 101238	5	FITTING, F6801-6-6-0
24	539 106896	4	HYDRAULIC LINE
25	539 104722	1	HOSE, 7"
26	539 111814	1	"T" ASSEMBLY
27	539 110837	1	"T" ASSEMBLY
28	539 102396	4	STRAIGHT FITTING
29	539 105168	1	CAP
30	539 112671	2	10CC PUMP W/RTN'S
31	539 101165	1	FILTER HEAD
32	539 101202	1	CAP-HYDRO RESERVIOR
33	539 102606	1	FILTER ELEMENT
34	539 105024	1	OIL TANK
35	539 106933	1	OIL FILTER BRACKET
36	539 976978	4	NUT, 1/4-20, NYLOC
37	539 990052	6	LOCKWASHER, 1/4
38	539 990072	2	HCS, 1/4-20 X 5/8, GR5
39	539 990580	8	HCS, 1/4-20 X 3/4, GR5
40	539 990582	4	HCS, 3/8-16 X 1, GR5, WHIZLK
41	539 990598	8	WASHER, 1/4
42	539 103115	4	"O" RING, 3/4
43	539 103116	4	"O" RING, 1/2
44	539 103117	6	"O" RING, 3/8
45	539 103118	8	"O" RING FLARE, 3/8
46	539 103119	8	"O" RING FLARE, 1/2

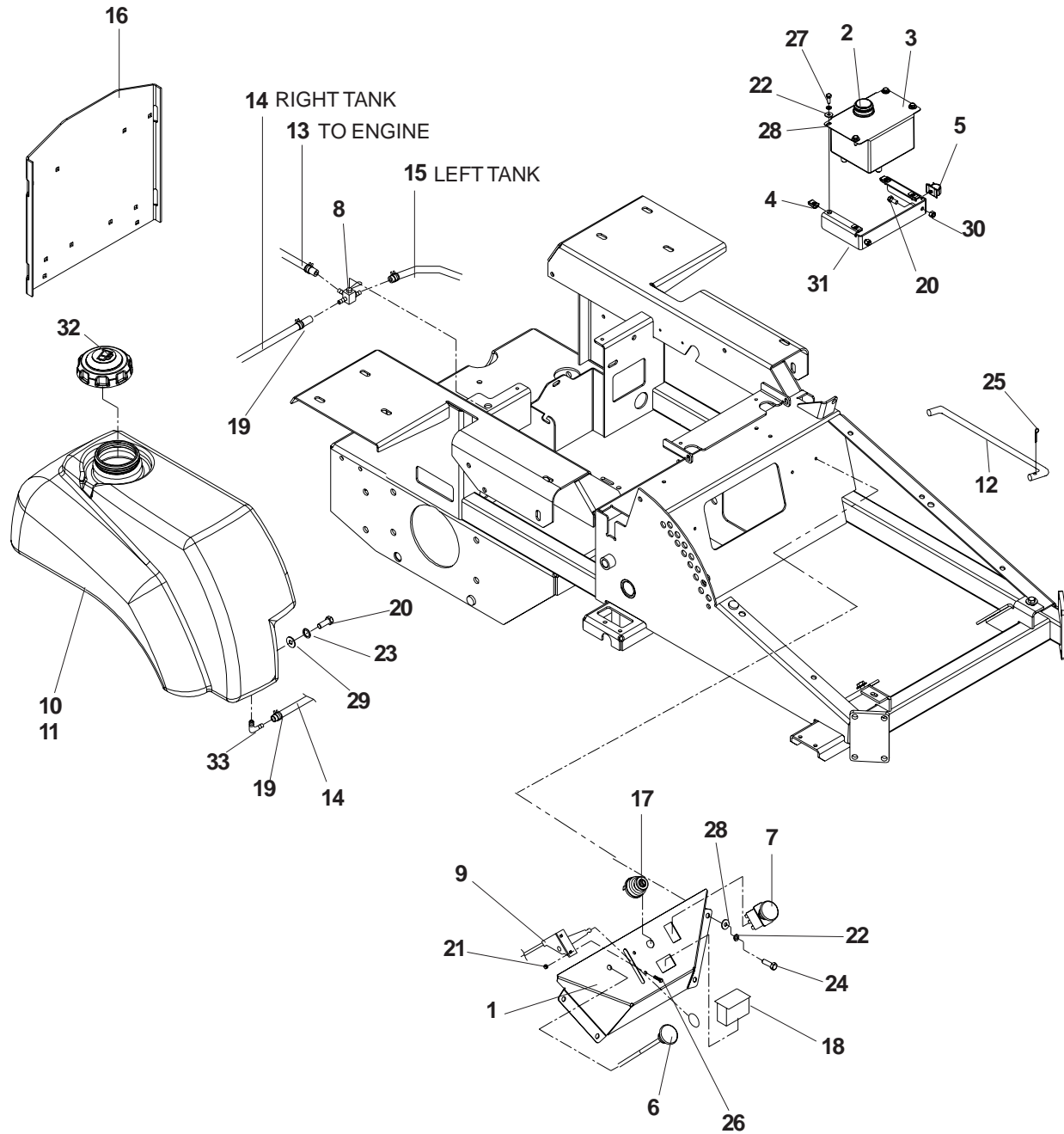
MAIN FRAME ASSEMBLY



MAIN FRAME ASSEMBLY

ITEM	PART NO.	QTY.	DESCRIPTION
1	539 977778	3	PAD-ADRASIVE
2	539 111098	1	FRAME W/DECALS
3	539 111573	1	FOOT PLATE W/DECALS
4	539 104411	2	KNOB W/STUD
5	539 102502	6	TANK-STUD FUEL
6	539 102519	2	BUSHING
7	539 102619	2	PIN, PIVOT
8	539 102845	8	SPRING, FUEL TANK
9	539 104197	1	STRUT MOUNT
10	539 104199	2	HCS, 5/8-11 X 2, GR5
11	539 104763	4	NUT, 5/16-18, U-TYPE
12	539 105039	4	MOUNT-STUD-PLATE
13	539 105169	1	KNOB
14	539 105224	1	SEAT BRACKET W/DECAL
15	539 106899	1	BATTERY HOLD DOWN
16	539 106941	1	FOOT REST
17	539 110806	1	STRUT, RIGHT
18	539 110807	1	STRUT, LEFT
19	539 110819	2	CLEVIS PIN, 3/8
20	539 976934	8	HCS, 5/16-18 X 3/4, GR5
21	539 976978	6	NUT, 1/4-20, NYLOC
22	539 976998	2	ZERK, STRAIGHT, 1/4-28
23	539 990184	6	NUT, 5/16-18, CENTERLOCK
24	539 990209	8	HCS, 5/16-18 X 1, GR5
25	539 990333	2	LOCKWASHER, 5/8
26	539 990365	5	PIN COTTER, 1/8 X 3/4
27	539 990580	2	HCS, 1/4-20 X 3/4, GR5
28	539 990692	27	WASHER, 5/16
29	539 990717	26	NUT, 5/16-18, NYLOC
30	539 102587	2	GROMMENT, BUMPER
	539 112654	1	FLOOR PAN PAD, MODEL 968999528 ONLY, (NOT SHOWN)
	539 112655	1	FOOT REST PAD, MODEL 968999528 ONLY, (NOT SHOWN)

MAIN FRAME ASSEMBLY

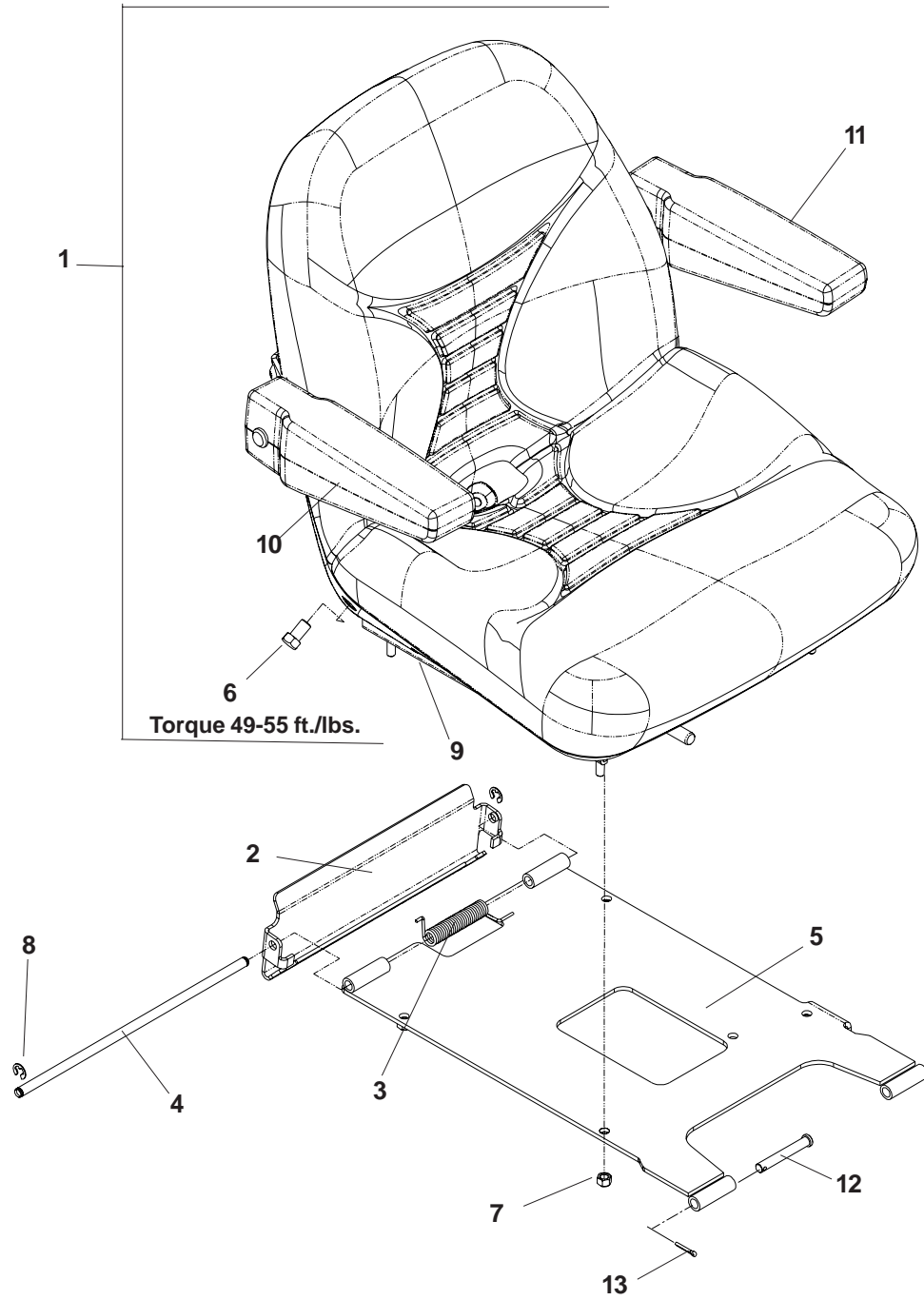


MAIN FRAME ASSEMBLY

ITEM	PART NO.	QTY.	DESCRIPTION
1	539 111147	1	CONSOLE W/DECALS
2	539 101202	1	CAP-HYDRO RESERVOIR
3	539 105024	1	OIL TANK
4	539 110813	1	RETAINER, U TYPE
5	539 110815	1	PUSH-MOUNT WIRE CLIP
6	539 102733	1	CHOKE CABLE, MODEL: 968999528,
	539 113458	1	CHOKE CABLE, MODELS: 968999527,
7	539 101768	1	SWITCH
8	539 102679	1	VALVE, FUEL
9	539 103275	1	CONTROL, THROTTLE
10	539 104409	1	TANK, FUEL, LEFT
11	539 104410	1	TANK, FUEL, RIGHT
12	539 104525	1	ROD, SEAT
13	539 105281	1	FUEL LINE
14	539 105527	1	FUEL LINE
15	539 105530	1	FUEL LINE
16	539 106959	1	ENGINE GUARD
17	539 107541	1	IGNITION SWITCH
18	539 110074	1	HOUR METER
19	539 912222	6	CLAMP, HOSE
20	539 976934	8	HCS, 5/16-18 X 3/4, GR5
21	539 976977	4	NUT, #10-24, NYLOC
22	539 990052	4	LOCKWASHER, 1/4
23	539 990187	2	LOCKWASHER, 5/16
24	539 990362	4	SCREW, 1/4-20 X 5/8, SELF TAP
25	539 990365	5	PIN COTTER, 1/8 X 3/4
26	539 990411	2	SCREW, #10-24 X 1/2
27	539 990580	2	HCS, 1/4-20 X 3/4, GR5
28	539 990598	4	WASHER, 1/4
29	539 990692	27	WASHER, 5/16
30	539 990717	26	NUT, 5/16-18, NYLOC
31	539 110814	1	TANK MOUNT
32	539 106188	2	FUEL CAP, ANTISPLASH
33	539 102650	2	TANK FITTING

SEAT ASSEMBLY

MODEL: 968999527



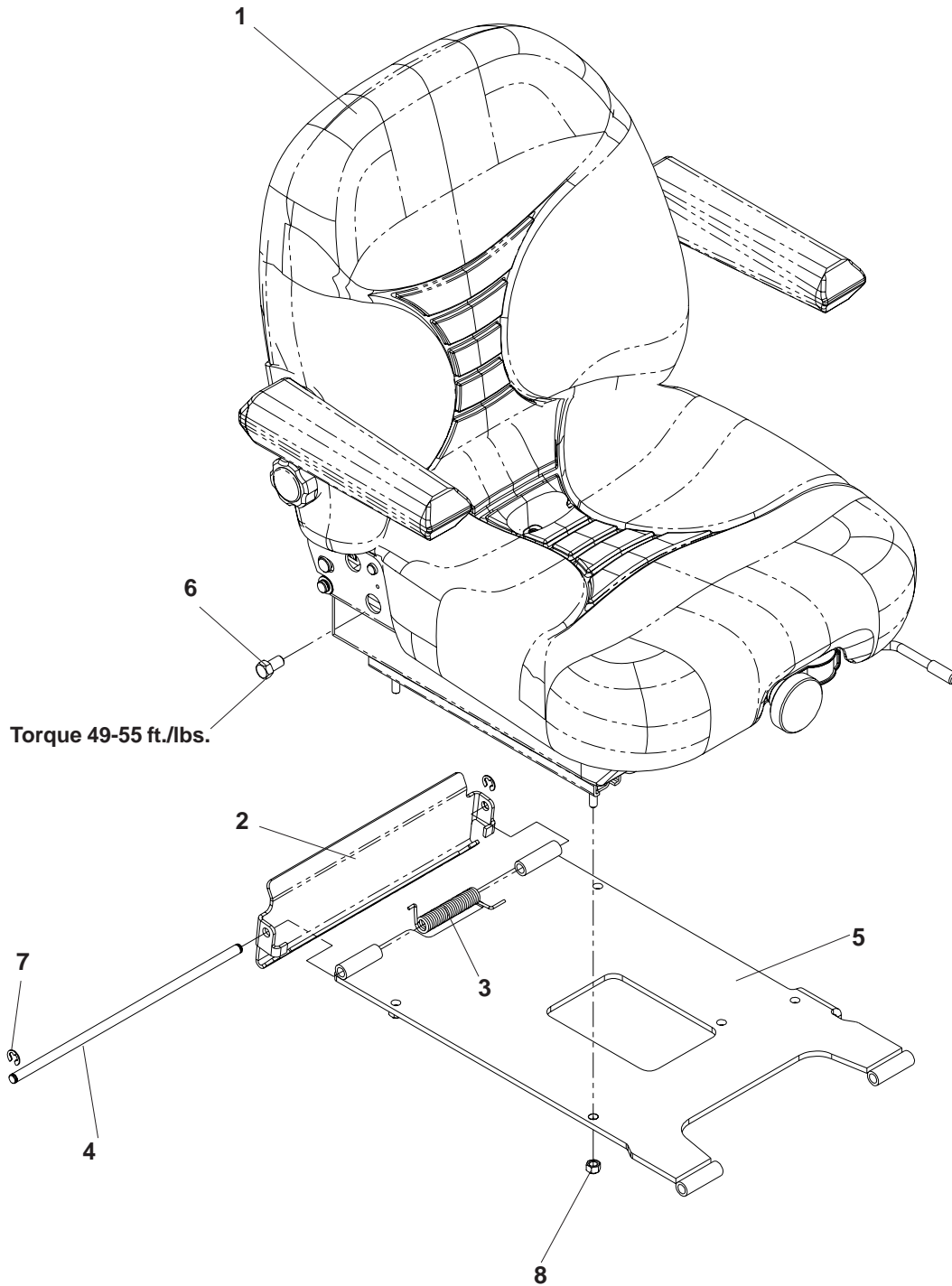
SEAT ASSEMBLY

MODEL: 968999527

ITEM	PART NO.	QTY.	DESCRIPTION
1	539 112281	1	SEAT, STANDARD
2	539 110644	1	SEAT LATCH BRACKET
3	539 110645	1	TORISON SPRING
4	539 110646	1	SEAT LATCH ROD
5	539 110816	1	SEAT MOUNT
6	539 112034	2	HCS, 7/16-20 X 3/4, GR5
7	539 990717	4	NUT, 5/16-18, NYLOC
8	539 990870	2	RING-RETAINING
9	539 112037	1	TRACK ADJUSTMENT KIT
10	539 112035	1	ARM REST KIT, RIGHT
11	539 112036	1	ARM REST KIT, LEFT
12	539 110819	2	CLEVIS PIN
13	539 990365	2	PIN, COTTER, 1/8 X 3/4
	539 111026	1	SEAT BELT (NOT SHOWN)
	539 108745	1	SWITCH/SNAP MOUNT KIT (NOT SHOWN)

SEAT ASSEMBLY

MODEL: 968999528



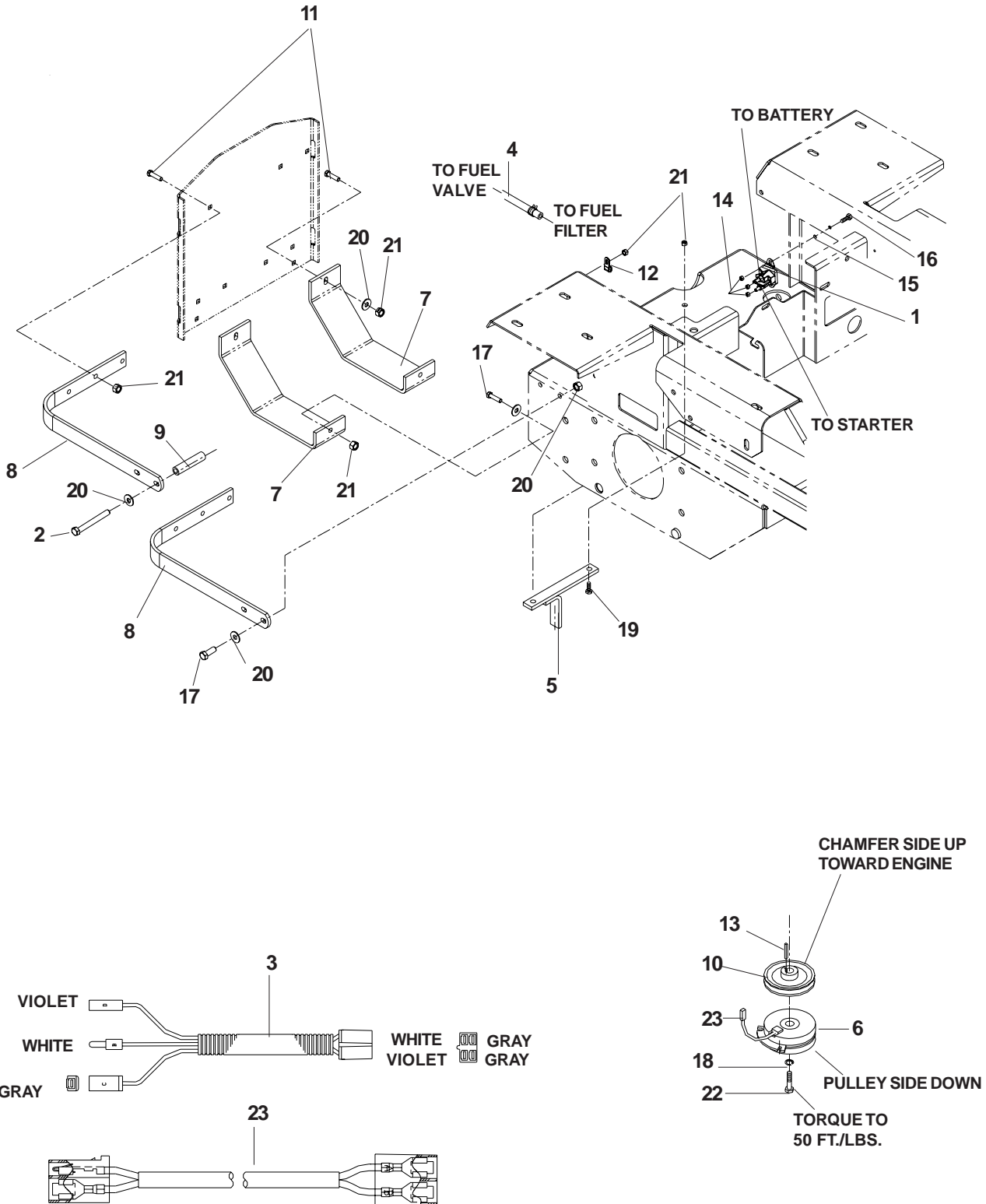
SEAT ASSEMBLY

MODEL: 968999528

ITEM	PART NO.	QTY.	DESCRIPTION
1	539 107859	1	SEAT, SUSPENSION
2	539 110644	1	SEAT LATCH BRACKET
3	539 110645	1	TORISON SPRING
4	539 110646	1	SEAT LATCH ROD
5	539 110816	1	SEAT MOUNT
6	539 112034	2	HCS, 7/16-20 X 3/4, GR5
7	539 990870	2	RING-RETAINING
8	539 990717	4	NUT, 5/16-18, NYLOC
	539 111026	1	SEAT BELT (NOT SHOWN)

KAWASAKI 21 HP ENGINE ASSEMBLY

MODEL: 968999527



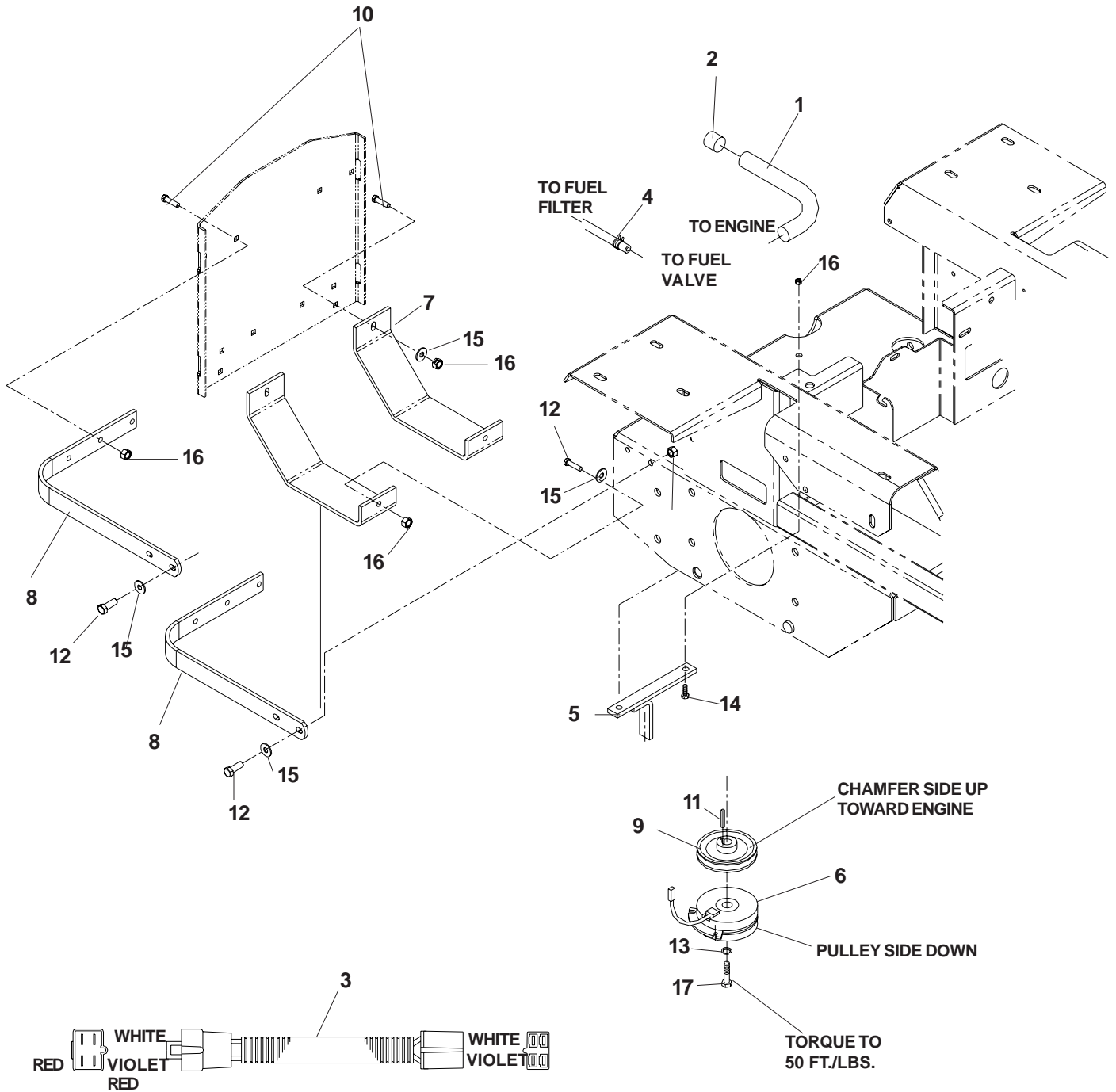
KAWASAKI 21 HP ENGINE ASSEMBLY

MODEL: 968999527

ITEM	PART NO.	QTY.	DESCRIPTION
1	539 101714	1	SOLENOID
2	539 102335	1	HCS, 5/16-18 X 4, GR5
3	539 104415	1	PIGTAIL, KAWASAKI
4	539 105281	1	FUEL LINE HOSE
5	539 106819	1	CLUTCH TIE DOWN
6	539 106880	1	CLUTCH
7	539 106957	2	SKID PLATE
8	539 106961	4	STRAP
9	539 106962	1	SPACER
10	539 106992	1	PULLEY
11	539 107271	10	RHSNB, 5/16-18 X 1, GR5
12	539 109867	1	CLAMP, DOUBLE TUBE
13	539 912757	1	KEY, 1/4 SQ X 1 1/4
14	539 976978	5	NUT, 1/4-20, NYLOC
15	539 990053	2	WASHER, 1/4
16	539 990072	2	HCS, 1/4-20 X 5/8, GR5
17	539 990209	7	HCS, 5/16-18 X 1, GR5
18	539 990247	1	LOCKWASHER, 7/16
19	539 990669	4	HCS, 5/16-18 X 1 3/4, GR5
20	539 990692	10	WASHER, 5/16
21	539 990717	22	NUT, 5/16-18, NYLOC
22	539 991120	1	HCS, 7/16-20 X 2 1/2, GR5
23	539 105637	1	CLUTCH HARNESS
	539 102757	1	CABLE (NOT SHOWN)
	539 102759	2	INSULATOR, BATTERY (NOT SHOWN)

KOHLER 25 HP ENGINE ASSEMBLY

MODEL: 968999528

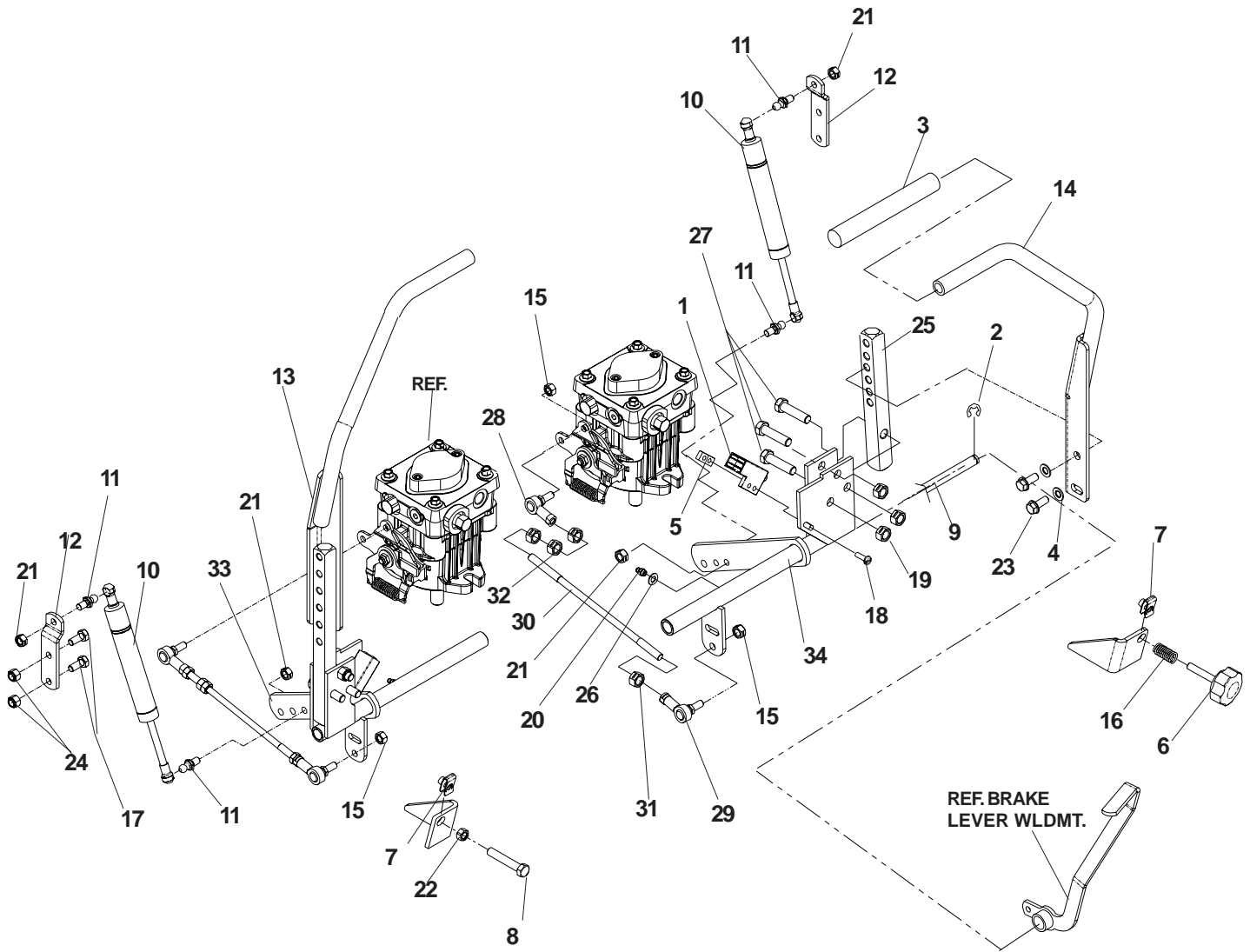


KOHLER 25 HP ENGINE ASSEMBLY

MODEL: 968999528

ITEM	PART NO.	QTY.	DESCRIPTION
1	539 101362	1	HOSE-DRAIN
2	539 101364	1	PLUG-OIL
3	539 104416	1	PIGTAIL, KOHLER
4	539 108212	1	FUEL LINE, 13"
5	539 106819	1	CLUTCH TIE DOWN
6	539 105406	1	CLUTCH
7	539 106957	2	SKID PLATE
8	539 106961	4	STRAP
9	539 112774	1	PULLEY
10	539 107271	10	RHSNB, 5/16-18 X 1, GR5
11	539 912757	1	KEY, 1/4 SQ X 1 1/4
12	539 990209	7	HCS, 5/16-18 X 1, GR5
13	539 990247	1	LOCKWASHER, 7/16
14	539 990669	4	HCS, 5/16-18 X 1 3/4, GR5
15	539 990692	10	WASHER, 5/16
16	539 990717	22	NUT, 5/16-18, NYLOC
17	539 991120	1	HCS, 7/16-20 X 2 1/2, GR5

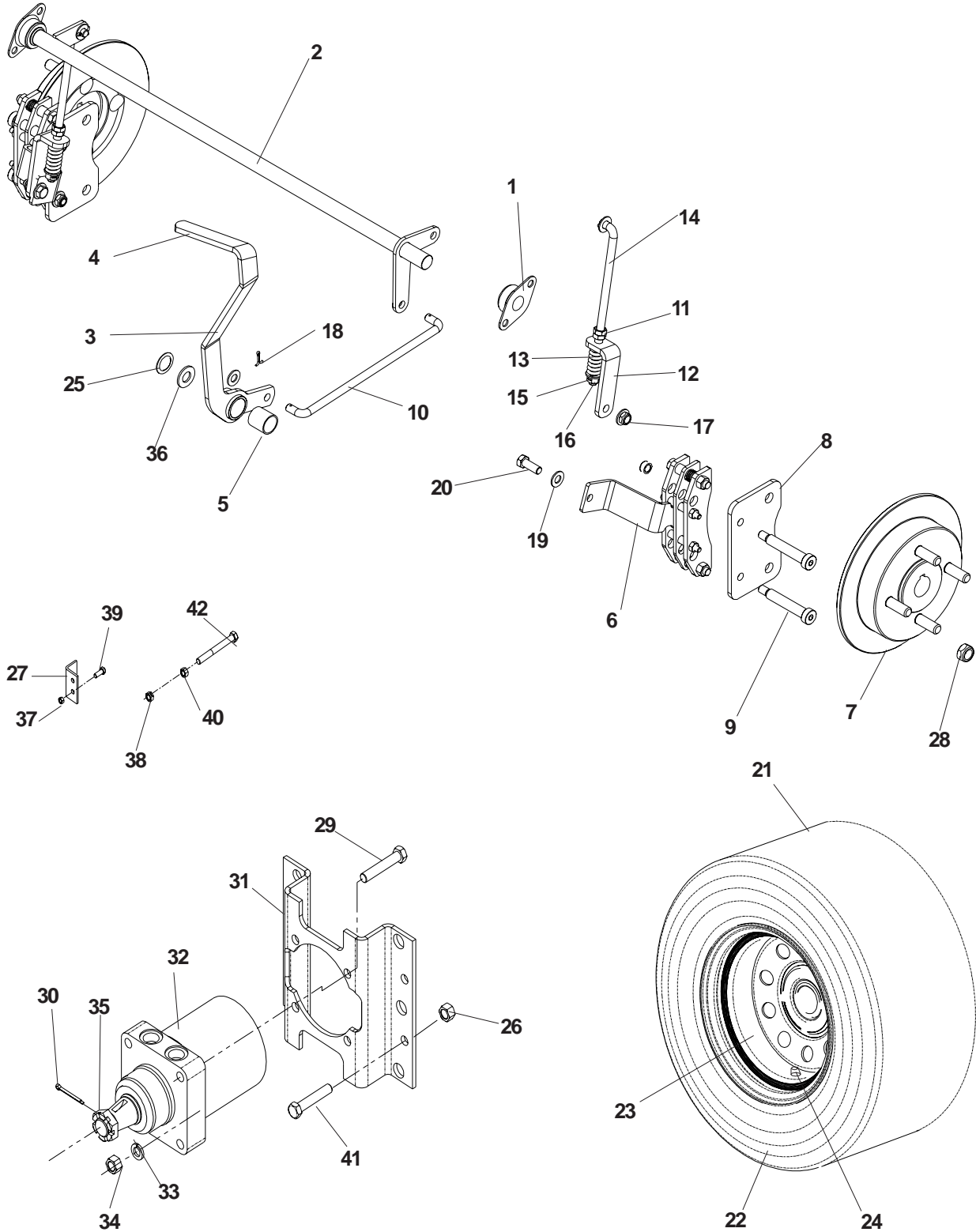
MOTION CONTROL ASSEMBLY



MOTION CONTROL ASSEMBLY

ITEM	PART NO.	QTY.	DESCRIPTION
1	539 101080	1	SWITCH, INTERLOCK
2	539 101949	2	E-RING, 1/2
3	539 102592	2	CUSHION, DRIVE LEVER
4	539 102593	4	WASHER, 3/8, SPRING, SPEC
5	539 102678	1	NUT, #10-24
6	539 103003	1	ADJUSTMENT KNOB
7	539 104763	4	NUT, 5/16-18, U-TYPE, RETAINER
8	539 108394	1	HCS, 5/16-18 X 1 3/4, TPBLT, GR5
9	539 108659	1	CONTROL SHAFT
10	539 110606	2	DAMPENER
11	539 110607	4	BALL STUD
12	539 110811	2	DAMPENER ARM
13	539 110826	1	DRIVE LEVER, RIGHT
14	539 110827	1	DRIVE LEVER, LEFT
15	539 110943	4	NUT, 5/16, NYLOC
16	539 111039	1	COMPRESSION SPRING
17	539 976934	8	HCS, 5/16-18 X 3/4, GR5
18	539 976952	2	SCREW, #10-24 X 5/8, COMBO, SPEC
19	539 976979	4	NUT, 3/8-16, NYLOC
20	539 976998	2	ZERK, STRAIGHT, 1/4-28
21	539 990184	6	NUT, 5/16-18, CENTERLOCK
22	539 990196	1	NUT, 5/16-18
23	539 990563	4	HCS, 3/8-16 X 1, GR5
24	539 990717	26	NUT, 5/16-18, NYLOC
25	539 110638	2	ARM CONTROL SHAFT
26	539 103547	2	WASHER
27	539 990730	6	HCS, 3/8-16 X 1 3/4, GR5
28	539 110603	2	ROD END, SPHERICAL, RIGHT
29	539 110604	2	ROD END, SPHERICAL, LEFT
30	539 103264	2	LINKAGE
31	539 991073	2	NUT, 5/16, JAM, LH
32	539 990223	6	NUT, 5/16
33	539 111030	1	DRIVE CONTROL, RIGHT
34	539 111031	1	DRIVE CONTROL, LEFT

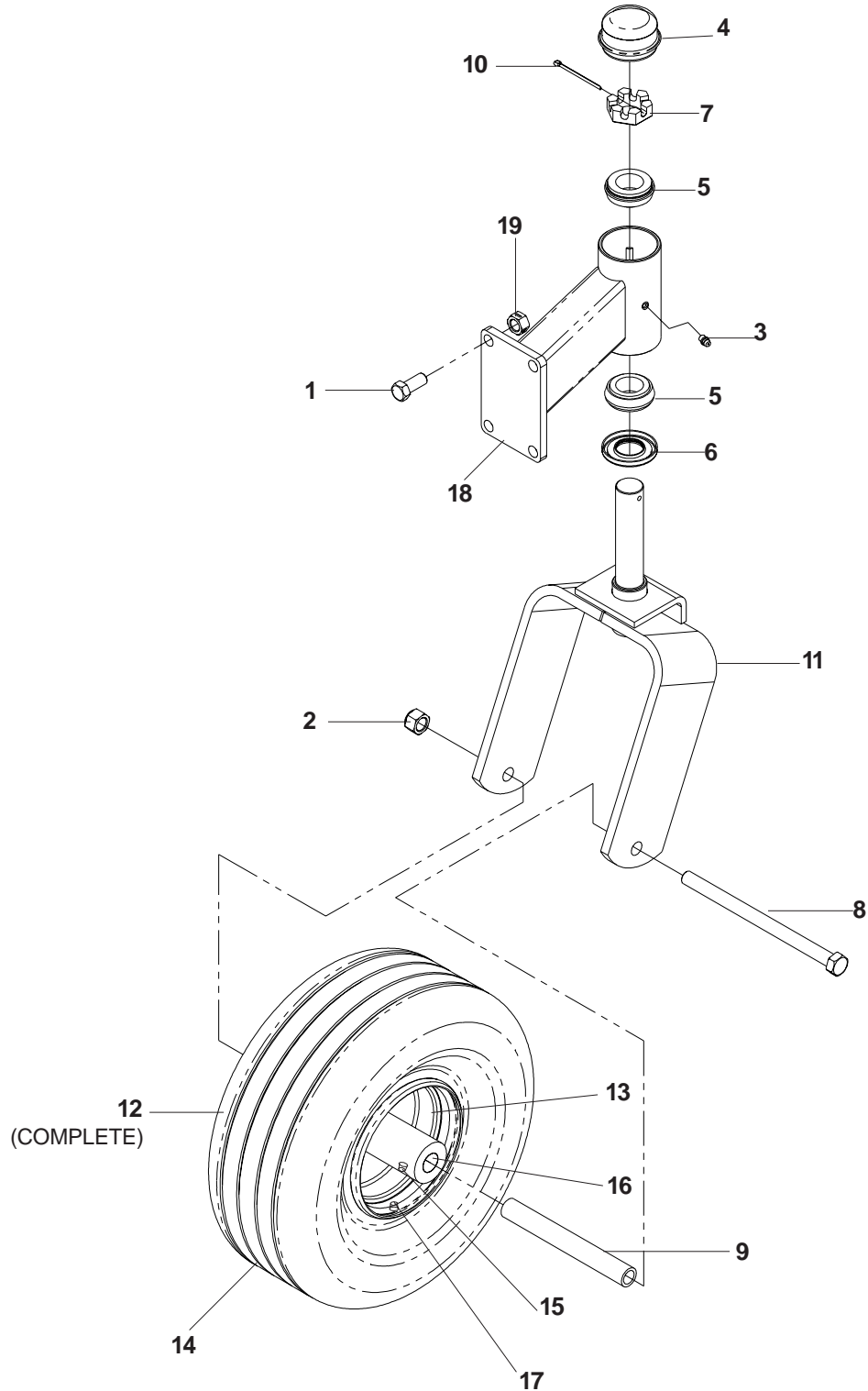
PARK BRAKE ASSEMBLY (TL)



PARK BRAKE ASSEMBLY (TL)

ITEM	PART NO.	QTY.	DESCRIPTION
1	539 102797	2	BUSHING
2	539 106969	1	BRAKE CROSS SHAFT
3	539 108616	1	BRAKE LEVER
4	539 105036	1	GRIP PARK BRAKE
5	539 108619	1	BUSHING
6	539 113944	2	CALIPER
7	539 113945	2	HUB
8	539 113948	2	PLATE, BRAKE
9	539 113951	4	SCREW, 3/8-16 X 2 1/2, SKT HD
10	539 113954	1	LINKAGE, BRAKE
11	539 108732	2	NUT, 3/8-24, JAM
12	539 113950	1	L BRACKET
13	539 113952	1	SPRING
14	539 113955	1	LINKAGE, REAR BRAKE
15	539 990122	1	WASHER, 3/8, SAE
16	539 990289	1	NUT, 3/8-24, CENTERLOCK, GR5
17	539 200282	6	NUT, 3/8-16, THIN NYLOC
18	539 990037	4	PIN COTTER, 3/32 X 3/4
19	539 990122	12	WASHER, 3/8, SAE
20	539 990563	2	HCS, 3/8-16 X GR5
21	539 106883	2	TIRE (COMPLETE)
22	539 107431	1	TIRE
23	539 105983	1	RIM
24	539 912234	1	VALVE STEM
25	539 101151	1	RING, RETAINING, EXT 7/8
26	539 101331	8	NUT, 1/2-13, NYLOC
27	539 105029	1	BRACKET
28	539 101173	8	NUT, 1/2-20, LUG
29	539 101332	8	HCS, 1/2-13 X 2 3/4, GR5
30	539 104288	2	PIN COTTER
31	539 106989	2	MOTOR STANDOFF
32	539 110823	2	WHEEL MOTOR
33	539 990254	4	LOCKWASHER, 1/2
34	539 990258	4	NUT, 1/2-13
35	539 101468	2	HEX SLOTTED NUT
36	539 923787	1	BUSHING
37	539 976978	4	NUT, 1/4-20, NYLOC
38	539 976979	5	NUT, 3/8-16, NYLOC
39	539 990580	8	HCS, 1/4-20 X 3/4, GR5
40	539 990613	1	NUT, 3/8-16, WHIZLK
41	539 990622	8	BOLT, 1/2-13 X 1 1/4, WHIZLK, SP
42	539 990637	1	HCS, 3/8-16 X 2 1/2, GR5

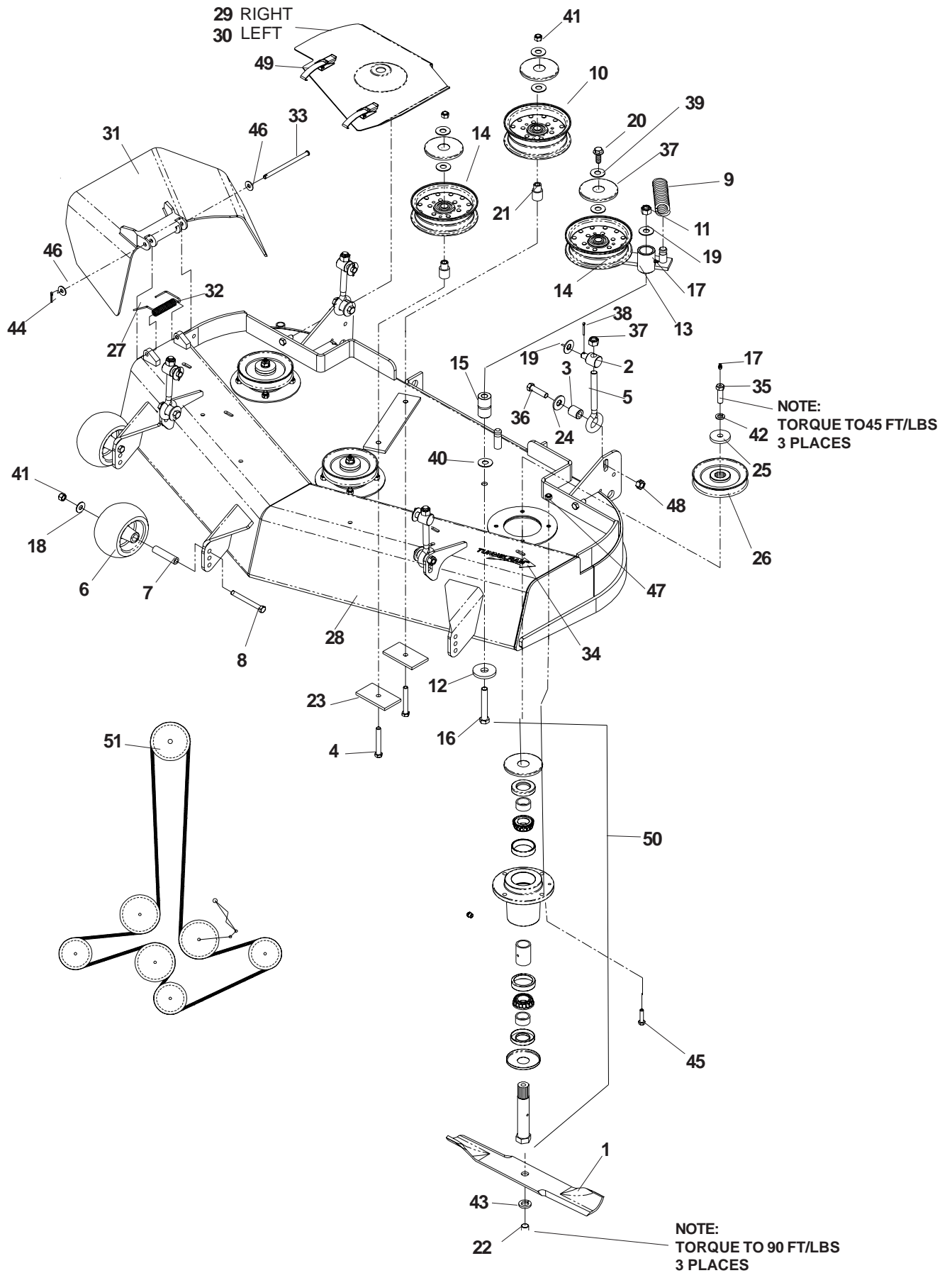
CASTER ARM



CASTER ARM

ITEM	PART NO.	QTY.	DESCRIPTION
1	539 100143	4	HCS, 7/16-14 X 1, GR5
2	539 101331	1	NUT, 1/2-13, NYLOC
3	539 101474	1	ZERK
4	539 102535	1	CAP GREASE
5	539 102543	2	BEARING, ROLLER, TAPERED
6	539 102851	1	SEAL
7	539 102852	1	NUT, 1-14, JAM, SPEC
8	539 102855	1	HCS, 1/2-13 X 7 1/2, GR5
9	539 102856	1	SPACER
10	539 102889	1	PIN COTTER, 1/8 X 2
11	539 104571	1	CASTER YOKE
12	539 104572	1	TIRE, COMPLETE
13	539 104573	1	RIM
14	539 102546	1	TIRE
15	539 976997	1	ZERK
16	539 102484	2	END CAPS
17	539 912234	1	VALVE STEM
18	539 106986	1	CASTER ARM
19	539 990839	4	NUT, 7/16-14, CENTERLOCK.\, GR A
	539 102485	2	ROLLER BEARING, 2 1/2" (NOT SHOWN)

48" DECK ASSEMBLY



48" DECK ASSEMBLY

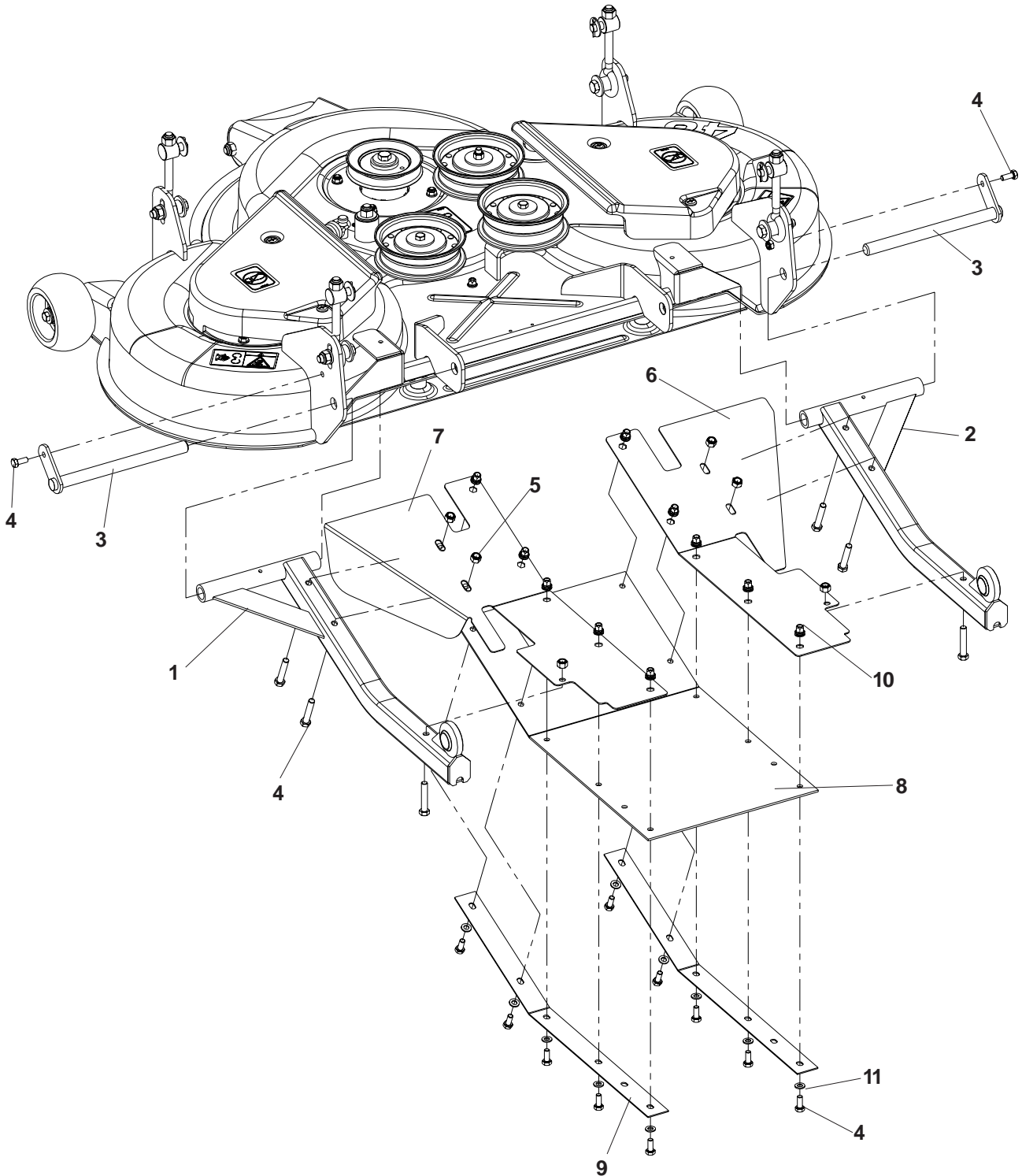
ITEM	PART NO.	QTY.	DESCRIPTION
1	539 100340	3	BLADE, 16 1/4
2	539 114405	4	SWIVEL
3	539 114404	4	SPACER
4	539 102612	2	HCS, 3/8-16 X 2 3/4, GR5
5	539 119227	4	EYE BOLT
6	539 102643	3	ROLLER, ANTI SCALP
7	539 102698	3	BUSHING
8	539 102754	3	HCS, 3/8-16 X 3 1/2, GR8
9	539 103256	1	SPRING, EXTENSION
10	539 103258	1	PULLEY, IDLER
11	539 101331	1	NUT, 1/2-13, NYLOC
12	539 102243	1	WASHER, .65
13	539 103230	1	IDLER ARM
14	539 103257	2	PULLEY, IDLER
15	539 103427	1	BUSHING, PIVOT
16	539 103433	1	HCS, 1/2-13 X 3 1/4, GR5
17	539 976998	4	ZERK, STRAIGHT, 1/4-28
18	539 990517	3	WASHER, 3/8
19	539 990550	5	WASHER, 9/16
20	539 990582	1	HCS, 3/8-16 X 1, GR5
21	539 103295	2	BUSHING, IDLER
22	539 103299	3	HCS, 5/8-18 X 1 1/4, GR5
23	539 103303	2	PAD
24	539 112484	4	SPRING WASHER, 1/2
25	539 106504	3	WASHER, .469
26	539 107276	3	PULLEY
27	539 107627	2	CAP-SLEEVE
28	539 111376	1	DECK W/DECALS
29	539 108686	1	BELT SHIELD, RIGHT
30	539 108687	1	BELT SHIELD, LEFT
31	539 110732	1	DISCHARGE CHUTE
32	539 110735	1	SPRING, TORSION
33	539 110736	1	PIN-CLEVIS, 5/16 DIA. X 5.19
34	539 111812	1	DECAL, TUNNELRAM
35	539 112120	3	HCS, 7/16-20 X 1 1/2, GR8, SPEC
36	539 108073	4	HCS, 7/16-14 X 1 3/4, GR5
37	539 101331	4	NUT, 1/2-13, NYLOC
38	539 109246	4	PIN COTTER, 1/8 X 1
39	539 111847	6	WASHER, 3/8, SPEC
40	539 113104	1	WASHER, 1/2
41	539 976979	5	NUT, 3/8-16, NYLOC
42	539 990247	3	LOCKWASHER, 7/16
43	539 990333	3	LOCKWASHER, 5/8
44	539 990365	1	PIN COTTER, 1/8 X 3/4
45	539 990627	12	HCS, 5/16-18 X 1 1/4, GR5
46	539 990692	2	WASHER, 5/16
47	539 990717	12	NUT, 5/16-18, NYLOC
48	539 990839	4	NUT, 7/16-14, CENTERLOCK, GR A
49	539 109660	2	DRAW LATCH
50	539 108773	3	SPINDLE ASSEMBLY
51	539 111949	1	DECK BELT

48" COMBI DECK ASSEMBLY

ITEM	PART NO.	QTY.	DESCRIPTION	ITEM	PART NO.	QTY.	DESCRIPTION
1	539 113345	1	DECK W/DECALS	31	539 114405	4	SWIVEL
2	535 429401	3	BLADE	32	539 112484	4	SPRING WASHER, 1/2
3	535 428301	1	MULCH PLUG	33	539 119227	4	EYEBOLT
4	539 112505	3	PULLEY	34	539 109246	4	PIN COTTER
5	539 103256	1	SPRING	35	539 112508	1	BELT SHIELD, LEFT
6	539 103230	1	IDLER ARM	36	539 112509	1	BELT SHIELD, RIGHT
7	539 103257	2	IDLER PULLEY	37	544 185401	1	ROLLER
8	539 103427	1	PIVOT BUSHING	38	535 428901	3	HOUSING
9	539 976998	1	ZERK	39	535 504201	3	BEARING
10	539 101572	1	HCS, 1/2-13 X 3, GR5	40	738 220519	6	BEARING
11	539 101331	5	NUT, 1/2-13, NYLOC	41	535 428702	3	AXEL
12	539 990550	6	WASHER, 1/2	42	535 428801	3	SPACER
13	539 111897	6	WASHER, 3/8, SPEC	43	506 533501	6	KEY
14	539 108450	3	TOP DUST CAP	44	539 112609	3	KEY RETAINER
15	539 976941	1	HCS, 3/8-16 X 1 1/4, GR5	45	539 112620	1	DECAL, BELT ROUTING
16	539 102643	1	ANTI-SCALP ROLLER	46	535 429201	3	WASHER
17	539 102698	1	BUSHING	47	725 254471	3	M12 X 1.75 X 60MM
18	539 102754	1	HCS, 3/8-16 X 3 1/2, GR8	48	725 245151	2	M8 X 1.25 X 20MM
19	539 976979	3	NUT, 3/8-16, NYLOC	49	732 211801	14	NUT, M8
20	539 990517	2	WASHER, 3/8	50	725 246071	3	M8 X 1.25 X 45MM
21	539 102619	2	PIVOT PIN	51	506 916201	3	NUT
22	539 112528	1	DECK BELT	52	734 116401	15	WASHER
23	539 103295	2	IDLER BUSHING	53	535 423801	12	SCREW
24	539 106504	1	HEAVY WASHER	54	506 792302	3	WASHER
25	539 101341	1	HCS, 3/8-16 X 3, GR5	55	725 254251	3	M12 X 1.75 X 50MM
26	539 103258	1	IDLER PULLEY, TALL	56	732 252201	5	NUT, M12
27	539 990637	1	HCS, 3/8-16 X 2 1/2, GR5	57	539 112963	1	NUT, M10 X 1.5, FLANGE
28	539 105743	2	DECAL, EURO NO STEP	58	725 250271	1	M10 X 1.5 X 55MM
29	539 105744	2	DECAL, EURO DANGER, BELT DRIVES	59	732 212051	1	NUT, M10
30	539 114404	4	SPACER	60	734 117801	4	WASHER, 13 X 24 X 2.7
				61	544 221001	1	M12 X 1.75 X 180MM
				62	506 982601	4	SCREW
				63	544 245303	1	LABEL
				64	725254371	4	M12 X 1.75 X 55MM

48" COMBI DECK STRUTS & DEBRIS GUARD

CD48 / 968999347

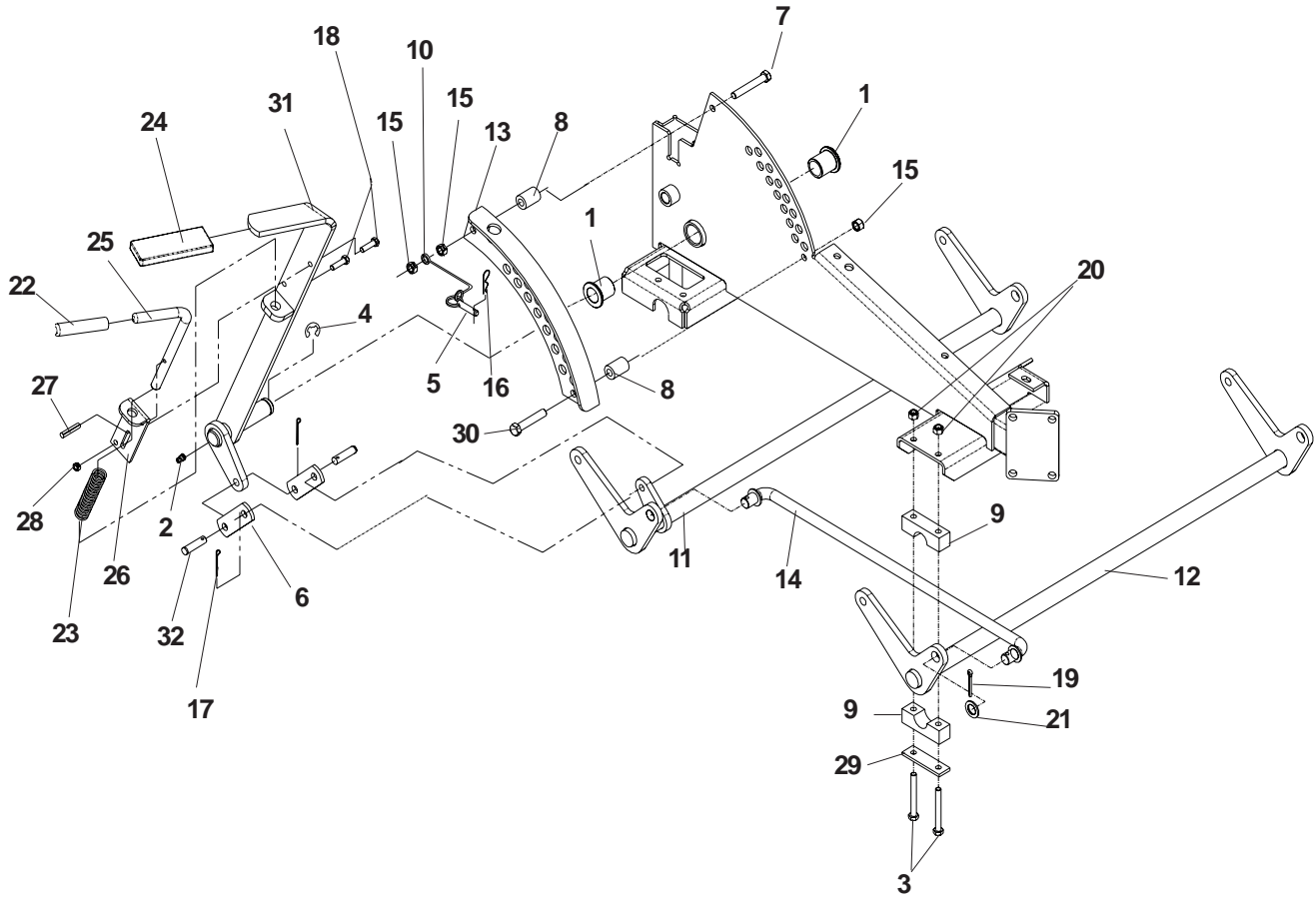


48" COMBI DECK STRUTS

CD48 / 968999347

ITEM	PART NO.	QTY.	DESCRIPTION
1	539 112646	1	STRUT, LEFT
2	539 112647	1	STRUT, RIGHT
3	539 102619	2	PIVOT PIN
4	725 245151	10	M8 X 1.25 X 20MM
5	732 211801	6	NUT
6	539 112649	1	RIGHT SHIELD
7	539 112951	1	LEFT SHIELD
8	539 112954	1	RUBBER SECTION
9	539 131172	2	STRAP
10	506 916201	10	NUT
11	734 116301	10	WASHER, 8.4 X 16 X 1.6

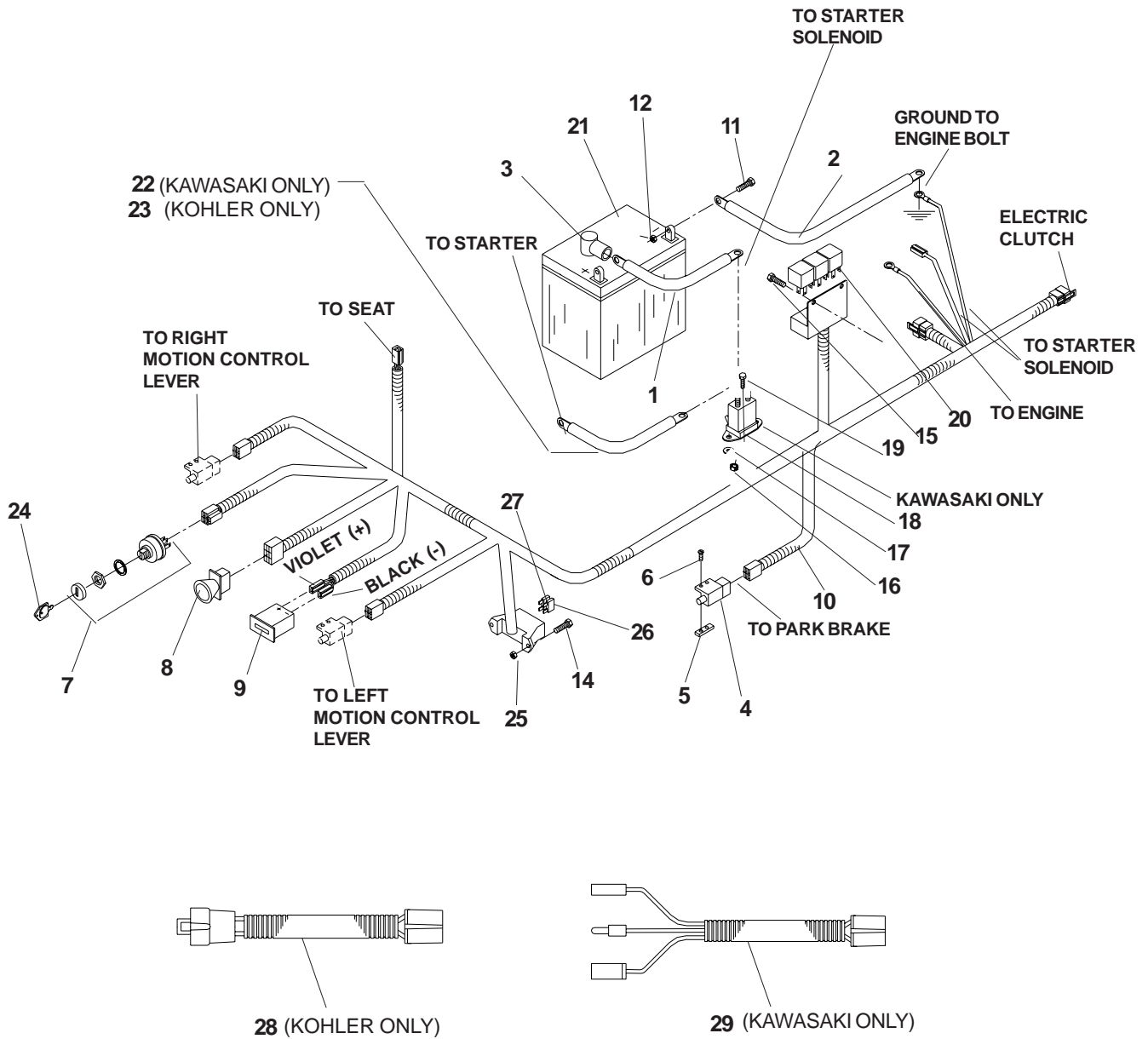
DECK LIFT ASSEMBLY



DECK LIFT ASSEMBLY

ITEM	PART NO.	QTY.	DESCRIPTION
1	539 101232	2	BUSHING
2	539 101474	2	ZERK
3	539 101721	8	HCS, 5/16-18 X 2 3/4, GR5
4	539 101802	1	RING-E, 7/8
5	539 102526	1	PIN LIFT, 1/2 X 2, W/RINGS
6	539 102565	2	LINKAGE
7	539 102612	1	HCS, 3/8-16 X 2 3/4, GR5
8	539 104530	2	SPACER
9	539 104808	8	BLOCK-PILLOW
10	539 105059	1	LANYARD
11	539 109955	1	REAR LIFT SHAFT
12	539 109956	1	FRONT LIFT SHAFT
13	539 110803	1	ADJUSTMENT PLATE
14	539 110808	2	CROSS LINK
15	539 976979	4	NUT, 3/8-16, NYLOC
16	539 976989	1	PIN HAIR, .120 X 2 1/2
17	539 990365	5	PIN COTTER
18	539 990580	2	HCS, 1/4-20 X 3/4, GR5
19	539 990654	4	PIN COTTER, 5/32 X 1 1/4
20	539 990717	4	NUT, 5/16-18, NYLOC
21	539 991043	4	BUSHING
22	539 101050	1	GRIP, VINYL
23	539 101058	1	SPRING, COMPRESSION
24	539 102515	1	GRIP, LIFT LEVER
25	539 103533	1	PIN, 1/2 X 6.69 "L"
26	539 103534	1	PIN MT
27	539 106532	1	PIN GROOVED, 3/16 X 1 1/4
28	539 990761	2	NUT, 1/4-20, CENTERLOCK
29	539 104807	4	REINFORCED BAR
30	539 990637	1	HCS, 3/8-16 X 2 1/2, GR5
31	539 109961	1	LIFT LEVER
32	539 977703	2	PIN CLEVIS, 3/8 X 1 1/8

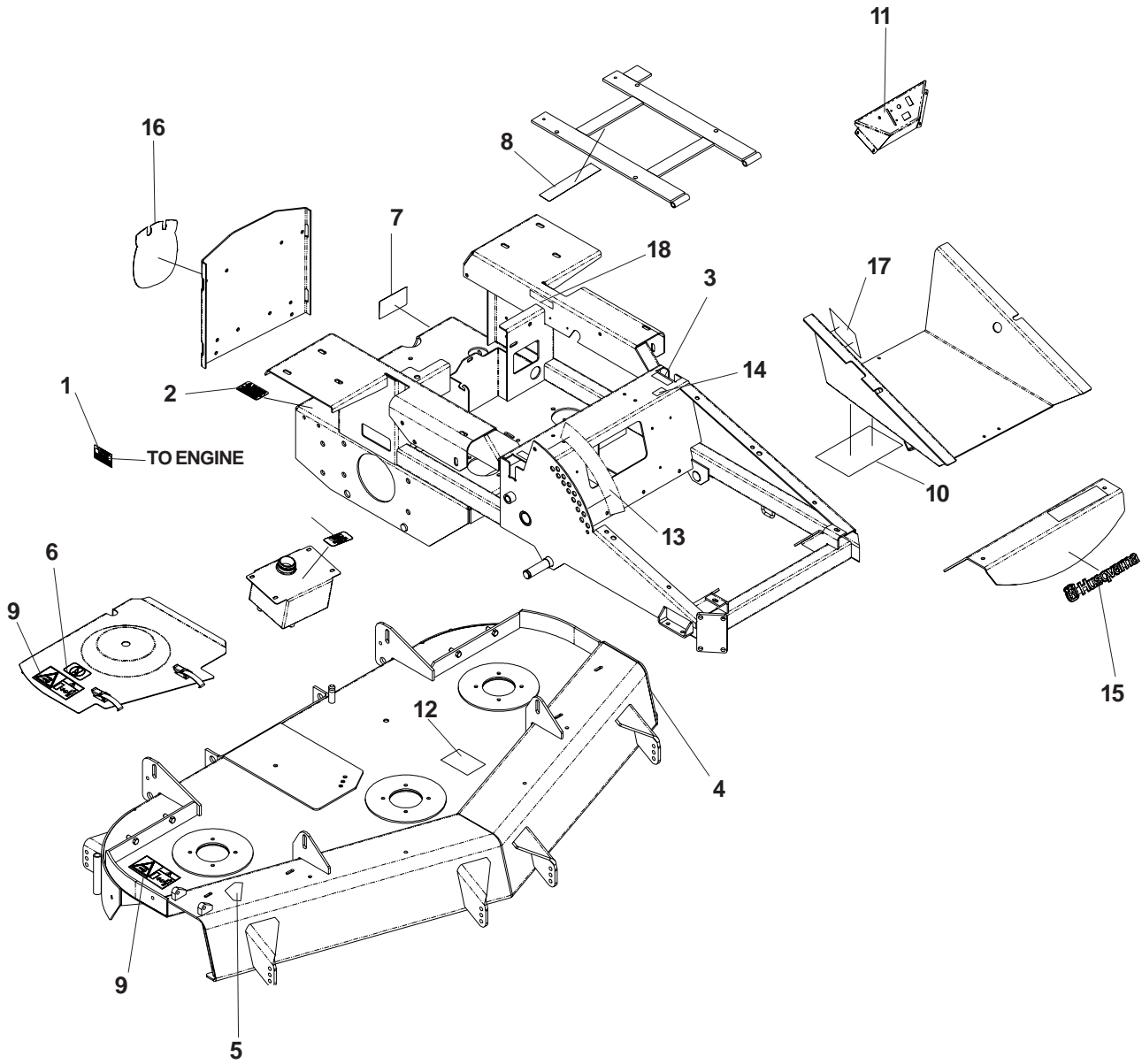
WIRING ASSEMBLY



WIRING ASSEMBLY

ITEM	PART NO.	QTY.	DESCRIPTION
1	539 103306	1	POSITIVE CABLE
2	539 102758	1	NEGATIVE CABLE
3	539 102759	2	INSULATOR
4	539 101080	1	INTERLOCK SWITCH
5	539 102678	1	TAPPED PLATE
6	539 976952	2	SCREW, #10-24 X 5/8
7	539 107541	1	IGNITION SWITCH
8	539 101768	1	BLADE SWITCH
9	539 110074	1	HOUR METER
10	539 110950	1	FRAME HARNESS
11	539 976934	2	HCS, 5/16C X 3/4
12	539 990717	2	NUT, 5/16C, NYLOC
13	539 976977	2	NUT, #10-24, NYLOC
14	539 102617	2	SCREW, #10-24 X 7/8
15	539 991034	2	SCREW, #10-24 X 5/8, WASH HD
16	539 990372	5	NUT, , 1/4C, CENTERLOCK
17	539 990053	2	LOCKWASHER, 1/4, INTERNAL TOOTH
18	539 101714	1	SOLENOID (KAWASAKI ONLY)
19	539 990072	2	HCS, 1/4C X 5/8
20	539 102914	3	RELAY
21	539 102436	1	BATTERY, DRY
22	539 104974	1	CABLE POSITIVE, KAWASAKI ONLY
23	539 102757	1	CABLE POSITIVE, KOHLER ONLY
24	539 107544	1	KEY, PADDED
25	539 976977	2	NUT, #10-24, NYLOC
26	539 101771	1	FUSE, 7.5 AMP, 32 VOLT, ATO
27	539 102086	1	FUSE, 20 AMP, 32 VOLT, ATO
28	539 104416	1	PIGTAIL, KOHLER ONLY
29	539 104415	1	PIGTAIL, KAWASAKI ONLY

DECALS

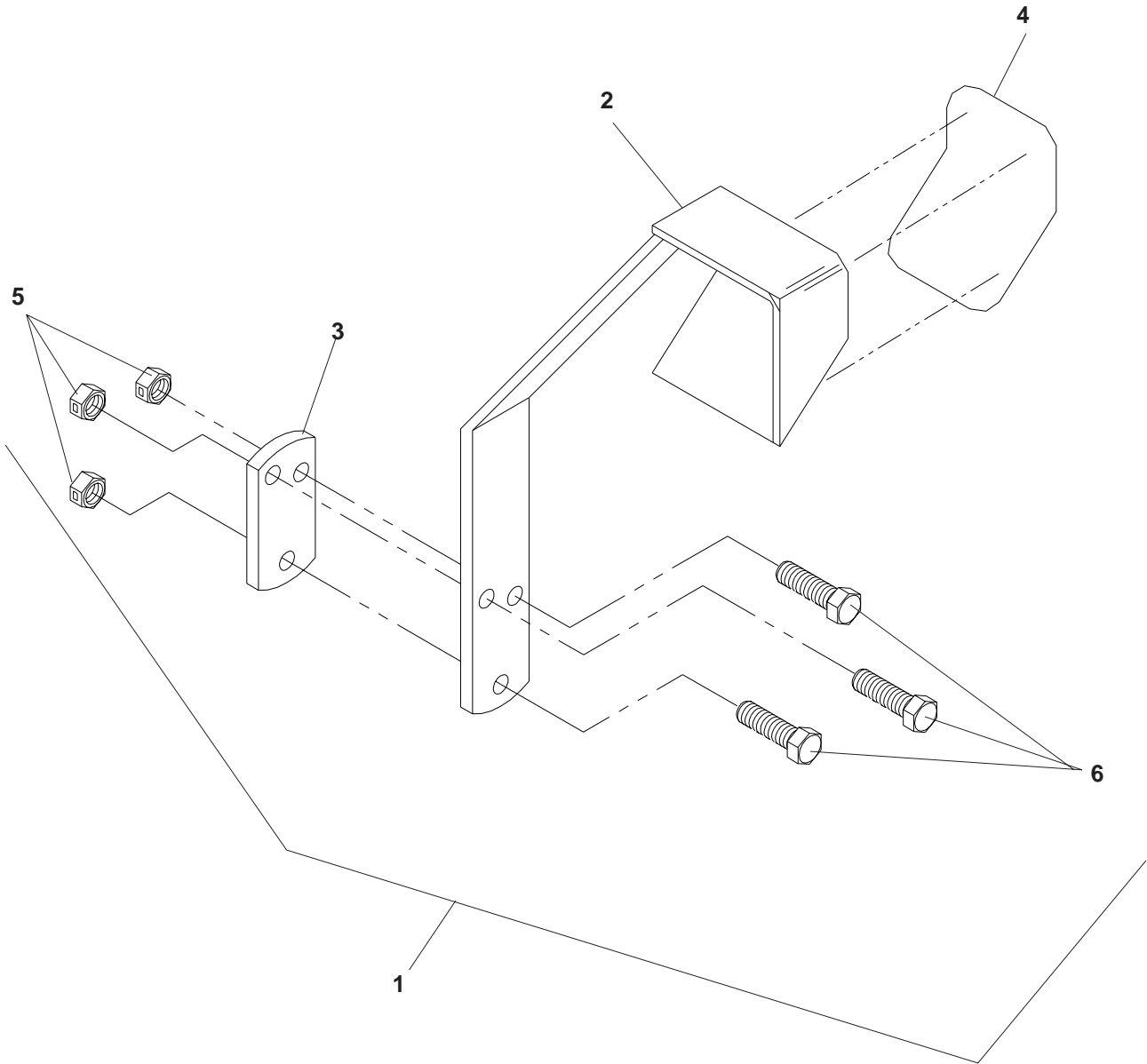


DECALS

ITEM	PART NO.	QTY.	DESCRIPTION
1	539 100128	1	DECAL, EXHAUST
2	539 101881	1	DECAL, PROP 65
3	539 103333	2	DECAL, MOTION CONTROL
4	539 105071	1	DECAL, NASCAR
5	539 913010	1	DECAL, WARNING
6	539 105743	2	DECAL, EURO NO STEP
7	539 105744	1	DECAL, EURO DANGER, BELT
8	539 105745	1	DECAL, EURO BATTERY WARNING
9	539 105746	2	DECAL, EURO SEVERING
10	539 107289	1	DECAL, SERVICE
11	539 110956	1	DECAL, CONSOLE
12	539 110967	1	DECAL, BELT ROUTING
13	539 110973	1	DECAL, HEIGHT ADJUSTMENT
14	539 110974	1	DECAL, H.S.T.
15	539 111047	1	DECAL, HUSQVARNA
16	539 111055	1	DECAL, CROWN
17	539 111575	1	DECAL, WARNING
18	539 111597	1	DECAL, RELAYS
	539 102670	1	DECAL, FUEL VALVE (NOT SHOWN)
	539 105301	1	DECAL, MOBIL (NOT SHOWN)
	539 109909	1	DECAL, MICH SEAT, HUSQVARNA (NOT SHOWN)
	539 110278	1	DECAL, 80dba (NOT SHOWN)
	539 110279	1	DECAL, ECM (NOT SHOWN)

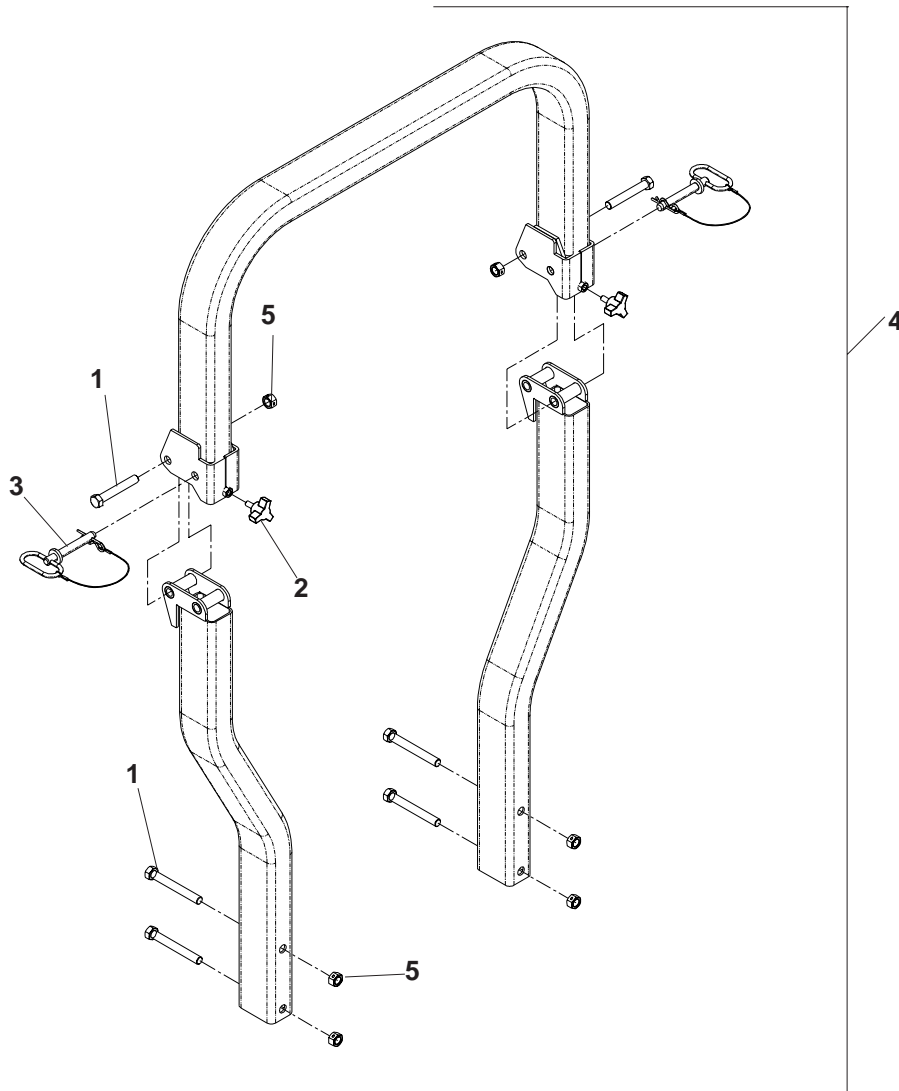
LIFT PEDAL

MAY BE OPTIONAL



ITEM	PART NO.	QTY.	DESCRIPTION
1	539 105180	1	LIFT PEDAL KIT
2	539 105181	1	LIFT PEDAL
3	539 105184	1	TIGHTENING PLATE
4	539 105187	1	PAD-ANTI SKID
5	539 976979	3	NUT, 3/8-16, NYLOC
6	539 990655	3	HCS, 3/8-16 X 1 1/2, GR5

ROPS



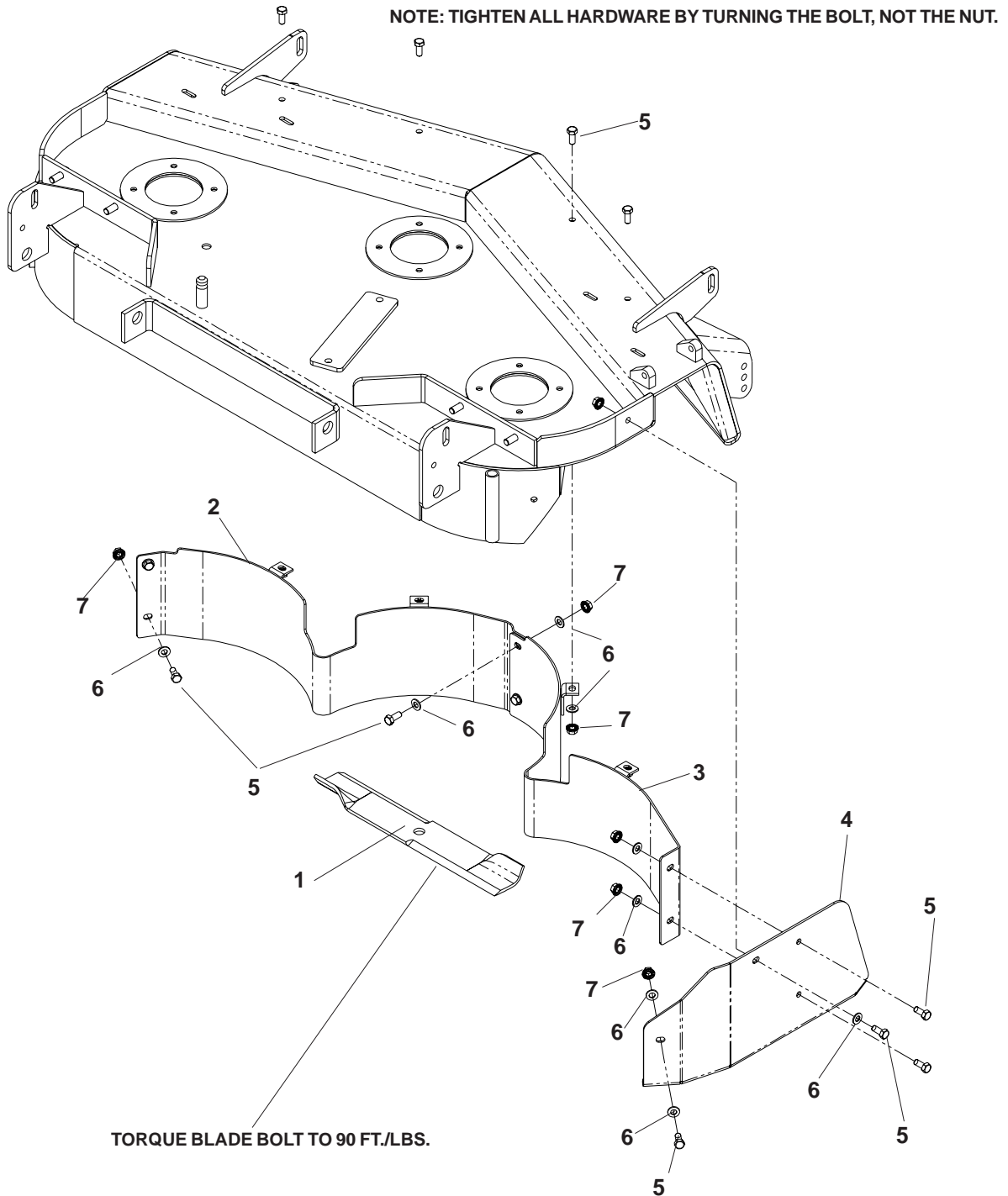
ITEM	PART NO.	QTY.	DESCRIPTION
1	539 103433	6	HCS, 1/2C X 3 1/4, GR5
2	539 104411	2	KNOB W STUD
3	539 111036	2	LANYARD W/PIN, 1/2"
4	539 111443	1	ROPS, COMPLETE W/SEAT BELT
5	539 200100	6	NUT, 1/2-13, CENTERLOCK

ACCESSORIES

TUNNEL DECK ONLY

MULCH KIT:

48" PART NO. 539 11 13-51



ACCESSORIES

TUNNEL DECK ONLY

MULCH KIT:

48" PART NO. 539 11 13-51

ITEM	PART NO.	QTY.	DESCRIPTION
1	539 109756	3	MULCH BLADE, 48" DECK, 16 1/4"
2	539 110705	1	MULCH BAFFLE, LEFT, 48" DECK
3	539 110707	1	MULCH BAFFLE, RIGHT, 48" DECK
4	539 110709	1	MULCH CAP, 48" DECK
5	539 976934	12	HCS, 5/16-18 X 3/4, GR5
6	539 990188	15	WASHER, 5/16, SAE
7	539 990585	12	NUT, 5/16-18, WHIZLK

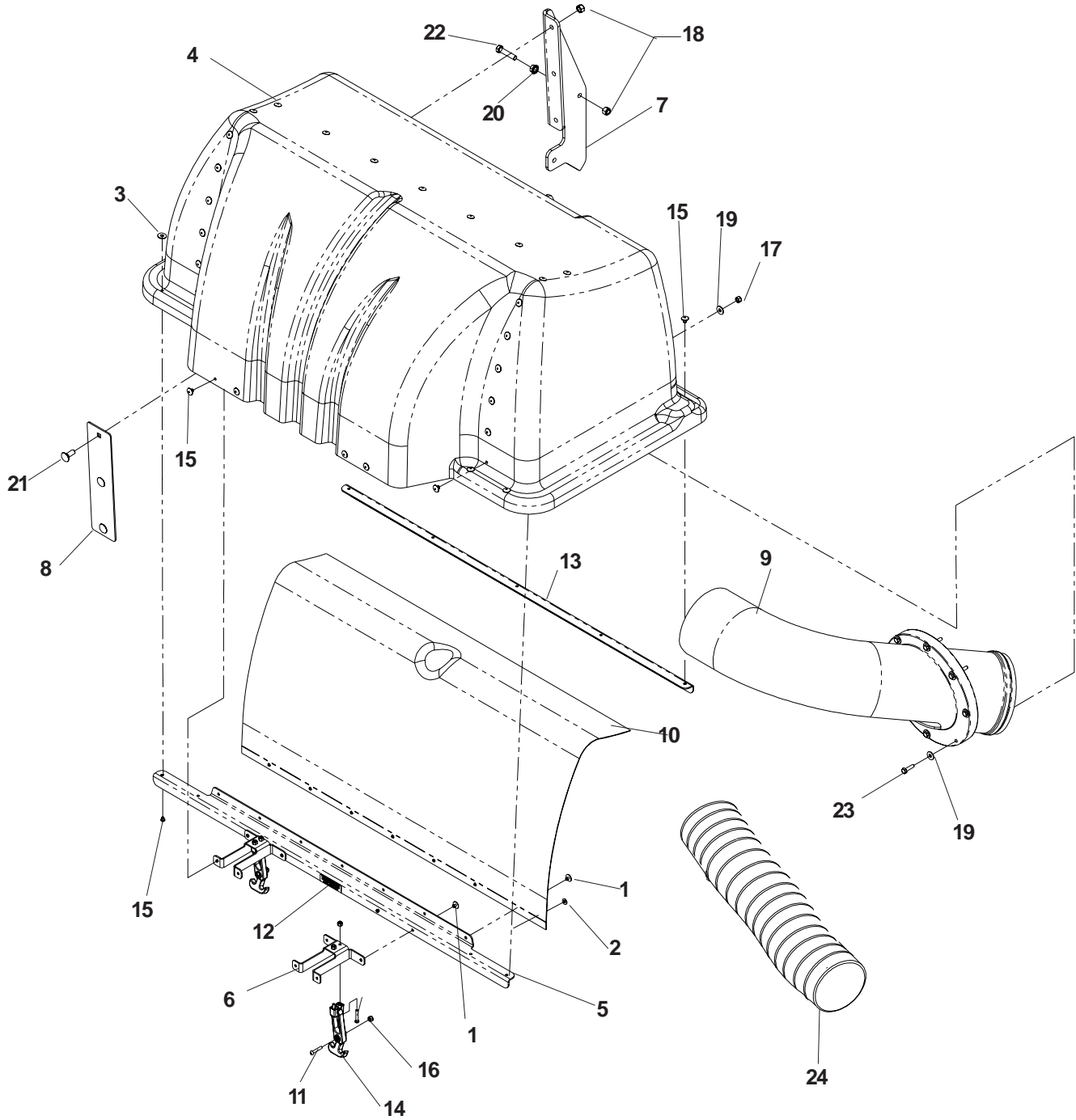
ACCESSORIES

TUNNEL DECK ONLY

COLLECTION SYSTEM

HCS9 - 539 11 12-80

HOOD ASSEMBLY



ACCESSORIES

TUNNEL DECK ONLY

COLLECTION SYSTEM

HCS9 - 539 11 12-80

HOOD ASSEMBLY

ITEM	PART NO.	QTY.	DESCRIPTION
1	539 102744	11	RIVET, 3/16 X 1/4
2	539 105408	21	WASHER, #10
3	539 110033	8	WASHER, #10, MACH
4	539 111172	1	HOOD
5	539 111174	1	HOOD SUPPORT
6	539 111175	2	SUPPORT, DRAW LATCH
7	539 111177	2	HOOD HINGE
8	539 111181	2	MOUNT PLATE
9	539 111182	1	INLET TUBE
10	539 111183	1	MESH, POLY DIAMOND
11	539 111186	6	SCREW, #10-24 X 1 1/8
12	539 111260	1	DECAL, VENTILATION
13	539 111339	1	HOOD SUPPORT, REAR
14	539 200478	2	DRAW LATCH, T-HANDLE
15	539 200684	38	RIVET, 3/16
16	539 976977	6	NUT, #10-24, NYLOC
17	539 976978	8	NUT, 1/4-20, NYLOC
18	539 976979	8	NUT, 3/8-16, NYLOC
19	539 990598	16	WASHER, 1/4
20	539 990613	2	NUT, 3/8-16, WHIZLK
21	539 990645	6	RHSNB, 3/8-16 X 1, GR5
22	539 990730	2	HCS, 3/8-16 X 1 3/4, GR5
23	539 991003	8	HCS, 1/4-20 X 1 3/4, GR5
24	539 111314	1	HOSE

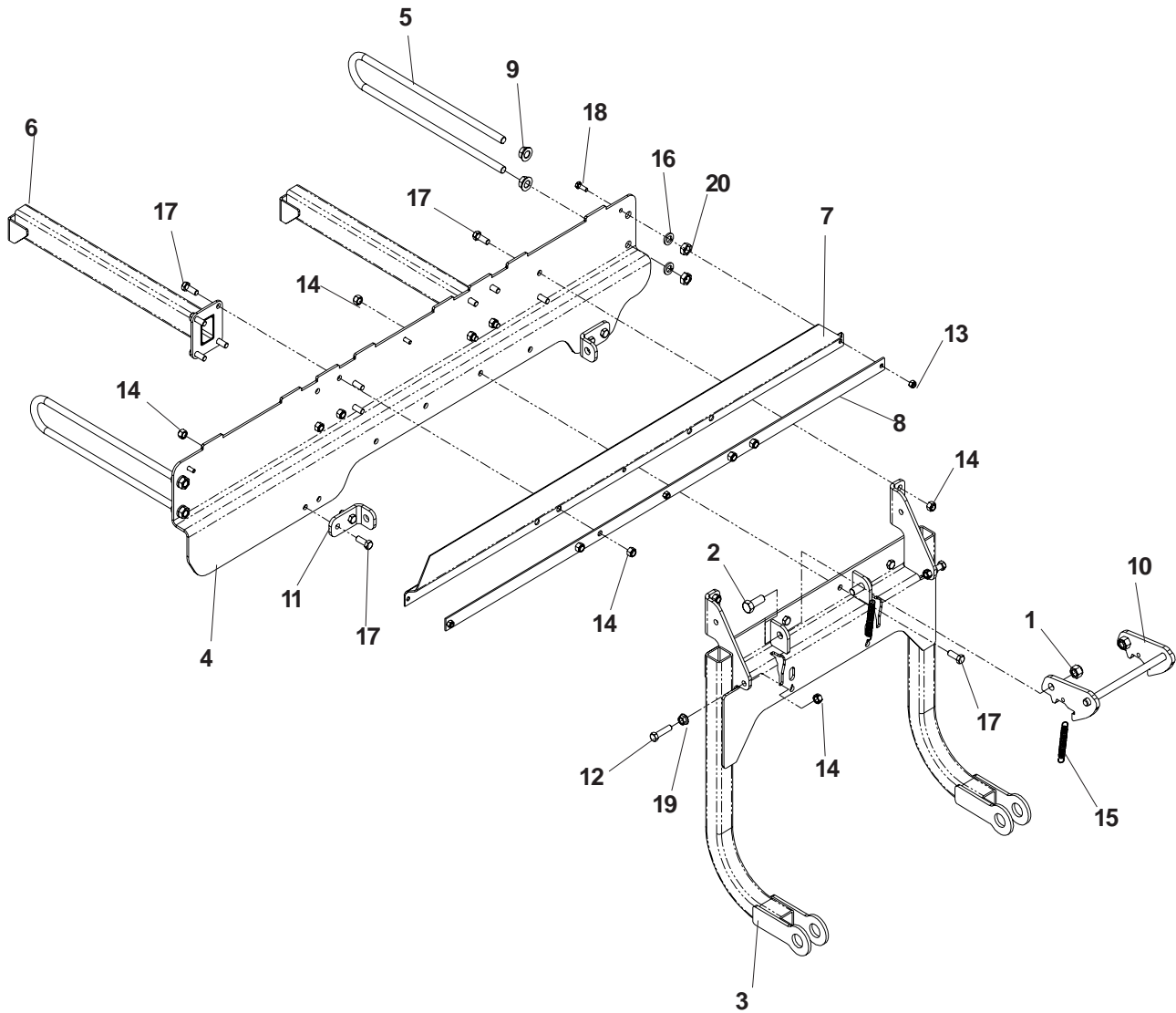
ACCESSORIES

TUNNEL DECK ONLY

COLLECTION SYSTEM

HCS9 - 539 11 12-80

HITCH ASSEMBLY



ACCESSORIES

TUNNEL DECK ONLY

COLLECTION SYSTEM

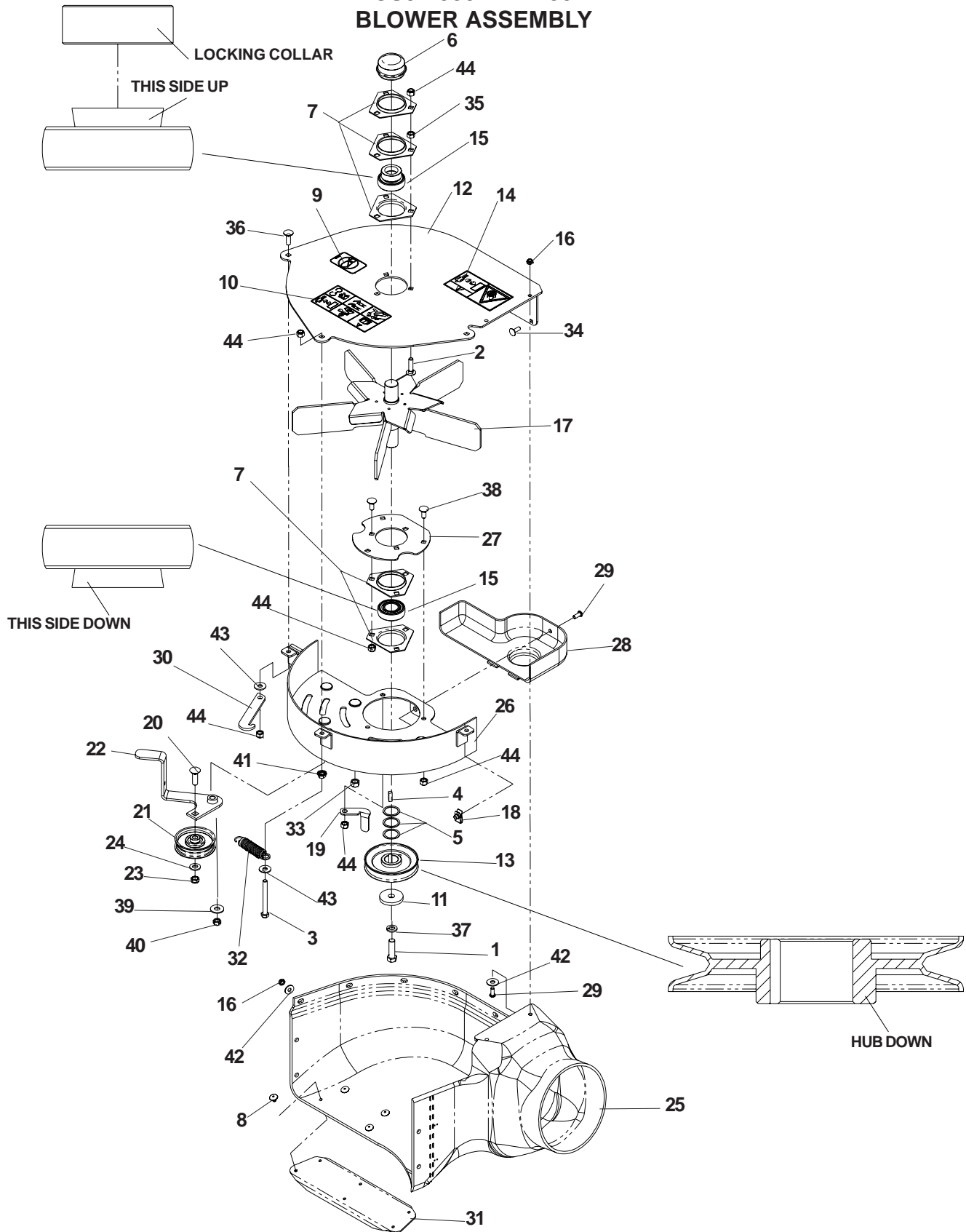
HCS9 - 539 11 12-80

HITCH ASSEMBLY

ITEM	PART NO.	QTY.	DESCRIPTION
1	539 101331	2	NUT, 1/2-13, NYLOC
2	539 108369	2	HCS, 1/2-13 X 1 1/4, GR5
3	539 111155	1	HITCH
4	539 111157	1	MOUNT Z BRACE
5	539 111158	2	SUPPORT, OUTER
6	539 111162	2	SUPPORT ARM
7	539 111167	1	SEAL, RUBBER
8	539 111171	1	SEAL STRAP
9	539 111187	4	NUT, 1/2-13, WHIZLK, GR5
10	539 111190	1	LATCH
11	539 111267	2	BRACKET, SUPPORT
12	539 990655	2	HCS, 3/8-16 X 1 1/2, GR5
13	539 976978	3	NUT, 1/4-20, NYLOC
14	539 976979	22	NUT, 3/8-16, NYLOC
15	539 977250	2	SPRING
16	539 990254	4	LOCKWASHER, 1/2
17	539 990563	20	HCS, 3/8-16 X 1, GR5
18	539 990580	3	HCS, 1/4-20 X 3/4, GR5
19	539 990613	2	NUT, 3/8-16, WHIZLK
20	539 990625	4	NUT, 1/2-13, JAM
	539 917150	1	DECAL, PATENT PENDING (NOT SHOWN)

ACCESSORIES

TUNNEL DECK ONLY COLLECTION SYSTEM HCS9 - 539 11 12-80 BLOWER ASSEMBLY



ACCESSORIES

TUNNEL DECK ONLY COLLECTION SYSTEM

HCS9 - 539 11 12-80

BLOWER ASSEMBLY

ITEM PART NO. QTY. DESCRIPTION

1	539 100141	1	HCS, 7/16-20 X 1 1/2, GR5
2	539 100472	3	RHSNB, 5/16-18 X 1 1/4, GR5
3	539 101721	1	HCS, 5/16-18 X 2 3/4, GR5
4	539 102067	1	KEY, 1/4 SQ X 3/4
5	539 102244	3	BUSHING
6	539 102535	1	CAP, GREASE
7	539 102691	5	BUSHING, FLANGE
8	539 102744	6	RIVET, 3/16 X 1/4
9	539 105743	1	DECAL, EURO NO STEP
10	539 105785	1	DECAL, EURO WARNING
11	539 106504	1	WASHER, 15/32
12	539 111331	1	FAN COVER W/DECALS
13	539 106713	1	SHEAVE, 4"
14	539 106741	1	DECAL, EURO IMPELLER
15	539 106786	2	BEARING
16	539 108120	8	NUT, 1/4-20, THIN NYLOC
17	539 110111	1	FAN
18	539 110813	1	U TYPE RETAINER, 1/4C
19	539 111184	1	BELT GUIDE
20	539 100413	1	RHSNB, 3/8-16 X 1 1/4, GR5
21	539 106721	1	IDLER
22	539 111218	1	IDLER ARM
23	539 200282	1	NUT, 3/8-16, THIN NYLOC
24	539 990122	1	WASHER, 3/8
25	539 111220	1	BLOWER HOUSING
26	539 111225	1	FLOOR WELDMENT
27	539 111227	1	BEARING PLATE
28	539 111228	1	PULLEY SHIELD
29	539 111229	3	SCREW, 1/4-20 X 5/8
30	539 111265	1	KEEPER, IDLER
31	539 111340	1	BLOWER SUPPORT
32	539 916159	1	SPRING
33	539 976979	4	NUT, 3/8-16, NYLOC
34	539 990074	6	RHSNB, 1/4-20 X 3/4, GR2
35	539 990196	3	NUT, 5/16-18
36	539 990208	1	RHSNB, 5/16-18 X 1, GR5
37	539 990247	1	LOCKWASHER, 7/16
38	539 990316	7	RHSNB, 5/16-18 X 3/4, GR5
39	539 990517	1	WASHER, 3/8
40	539 990546	1	NUT, 3/8-16, CENTERLOCK
41	539 990585	1	NUT, 5/16-18, WHIZLK
42	539 990598	8	WASHER, 1/4
43	539 990692	2	WASHER, 5/16
44	539 990717	12	NUT, 5/16-18, NYLOC

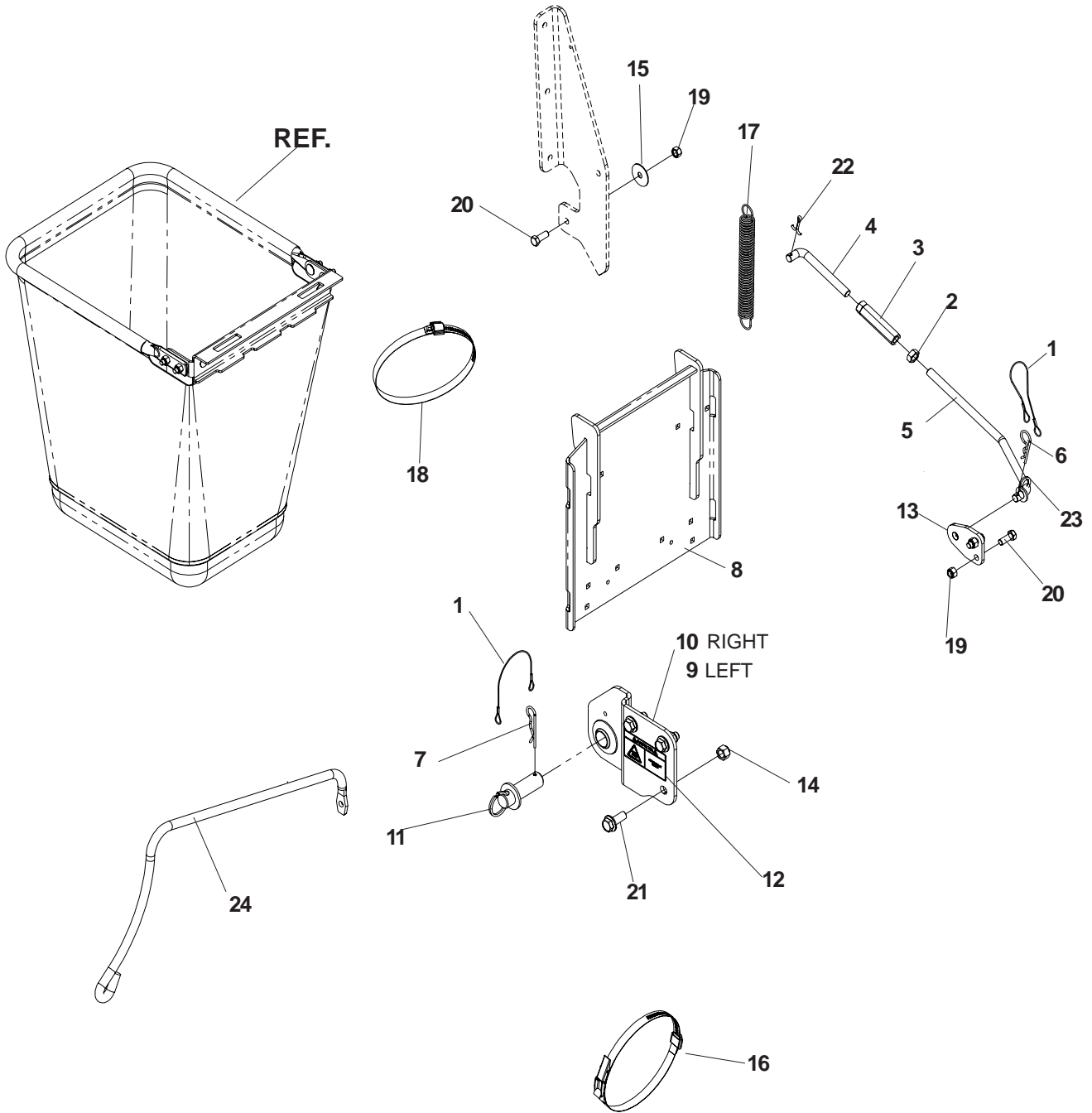
ACCESSORIES

TUNNEL DECK ONLY

COLLECTION SYSTEM

HCS9 - 539 11 12-80

MOUNTING KIT



ACCESSORIES

TUNNEL DECK ONLY

COLLECTION SYSTEM

HCS9 - 539 11 12-80

MOUNTING KIT

ITEM	PART NO.	QTY.	DESCRIPTION
1	539 102563	4	LANYARD
2	539 108736	2	NUT, 1/2-20, JAM
3	539 111207	2	TURNBUCKLE, 1/2
4	539 111208	2	SUPPORT LINKAGE, LH
5	539 111209	2	SUPPORT LINKAGE, MID
6	539 976989	2	PIN HAIR, 1/8 X 2 1/2
7	539 111192	2	HAIRPIN
8	539 111195	1	REAR GUARD, MID
9	539 111203	1	HITCH BRACKET, LEFT
10	539 111294	1	HITCH BRACKET, RIGHT
11	539 111206	2	HITCH PIN
12	539 111212	1	DECAL, HOT SURFACE
13	539 111215	2	SUPPORT BRACKET
14	539 101331	6	NUT, 1/2-13, NYLOC
15	539 102998	2	WASHER, .39
16	539 109901	1	OVERCENTER BAND
17	539 111191	2	SPRING
18	539 097076	1	HOSE CLAMP
19	539 976979	6	NUT, 3/8-16, NYLOC
20	539 990655	4	HCS, 3/8-16 X 1 1/2, GR5
21	539 990622	6	BOLT, 1/2-13 X 1 1/4, WHIZLK
22	539 990654	2	PIN COTTER, 5/32 X 1 1/4
23	539 916459	2	RING, RETAINING, SPEC
24	539113018	1	HOSE SUPPORT
	539 990627	1	HCS, 5/16-18 X 1 1/4, GR5, (NOT SHOWN)
	539 990655	2	HCS, 3/8-16 X 1 1/2, GR5, (NOT SHOWN)
	539 990692	2	WASHER, 5/16, (NOT SHOWN)

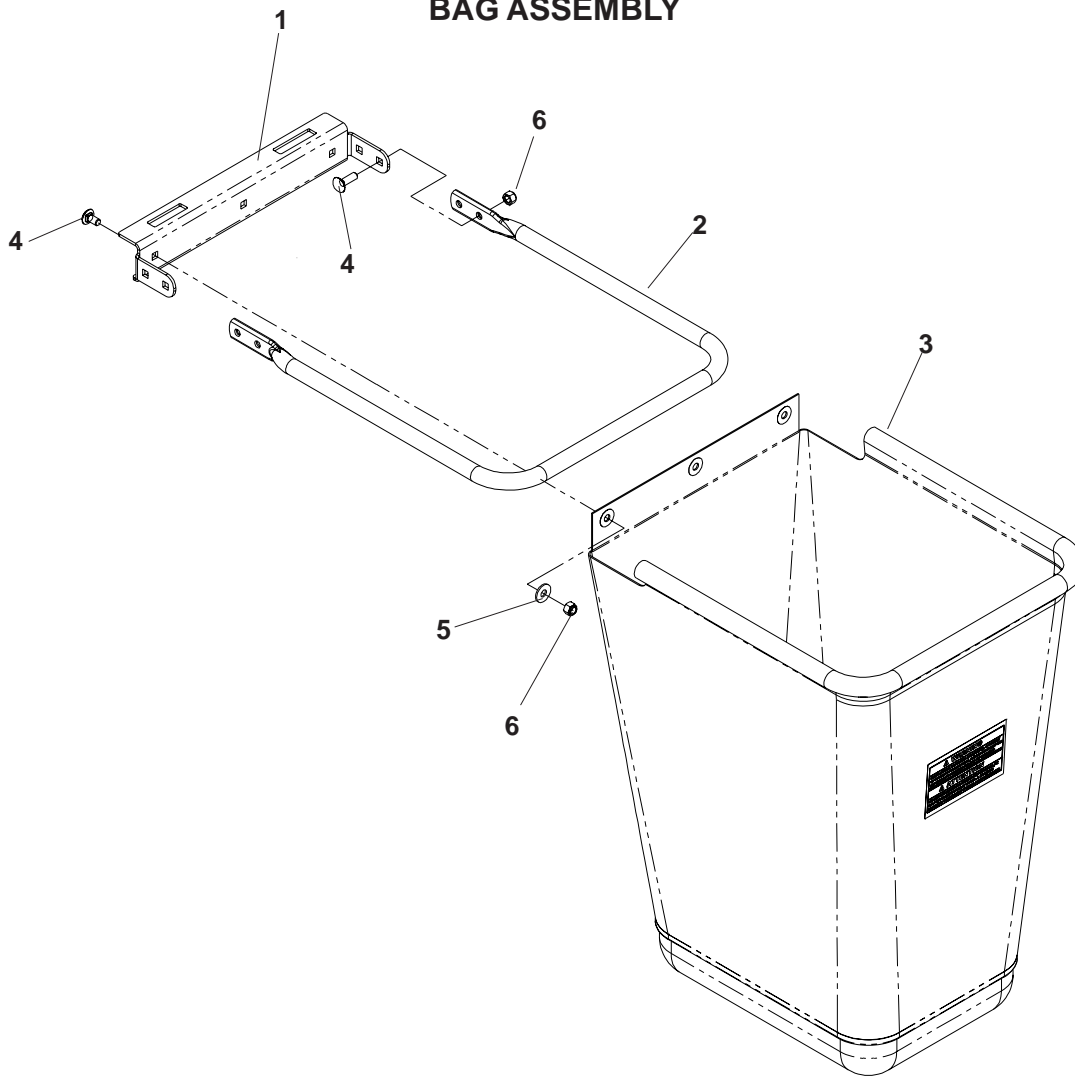
ACCESSORIES

TUNNEL DECK ONLY

COLLECTION SYSTEM

HCS9 - 539 11 12-80

BAG ASSEMBLY



ITEM	PART NO.	QTY.	DESCRIPTION
------	----------	------	-------------

1	539 110063	3	HANGER, BAG
2	539 111166	3	TUBE, BAG FRAME
3	539 111300	3	BAG, SMALL
4	539 990316	21	RHSNB, 5/16-18 X 3/4, GR5
5	539 990692	9	WASHER, 5/16
6	539 990717	21	NUT, 5/16-18, NYLOC

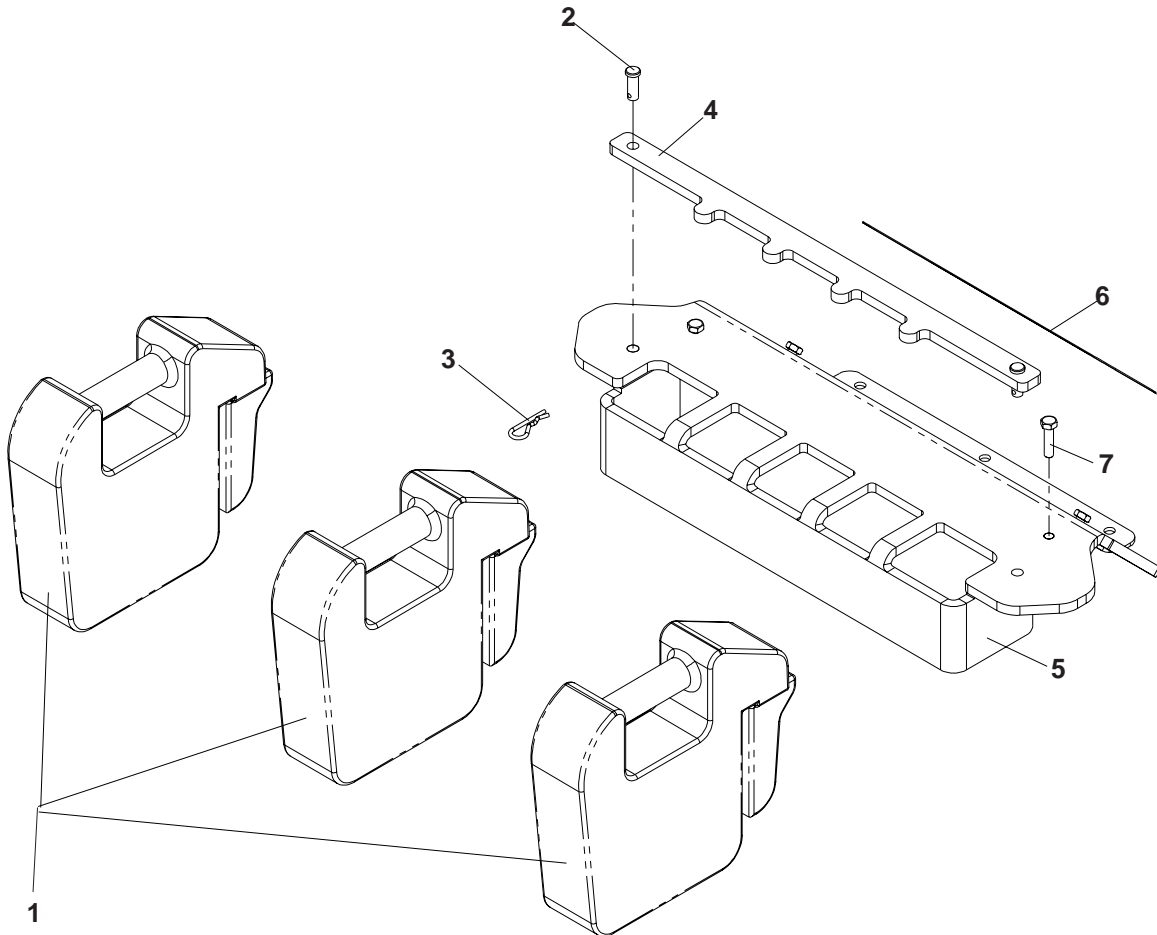
ACCESSORIES

TUNNEL DECK ONLY

COLLECTION SYSTEM

HCS9 - 539 11 12-80

WEIGHT KIT



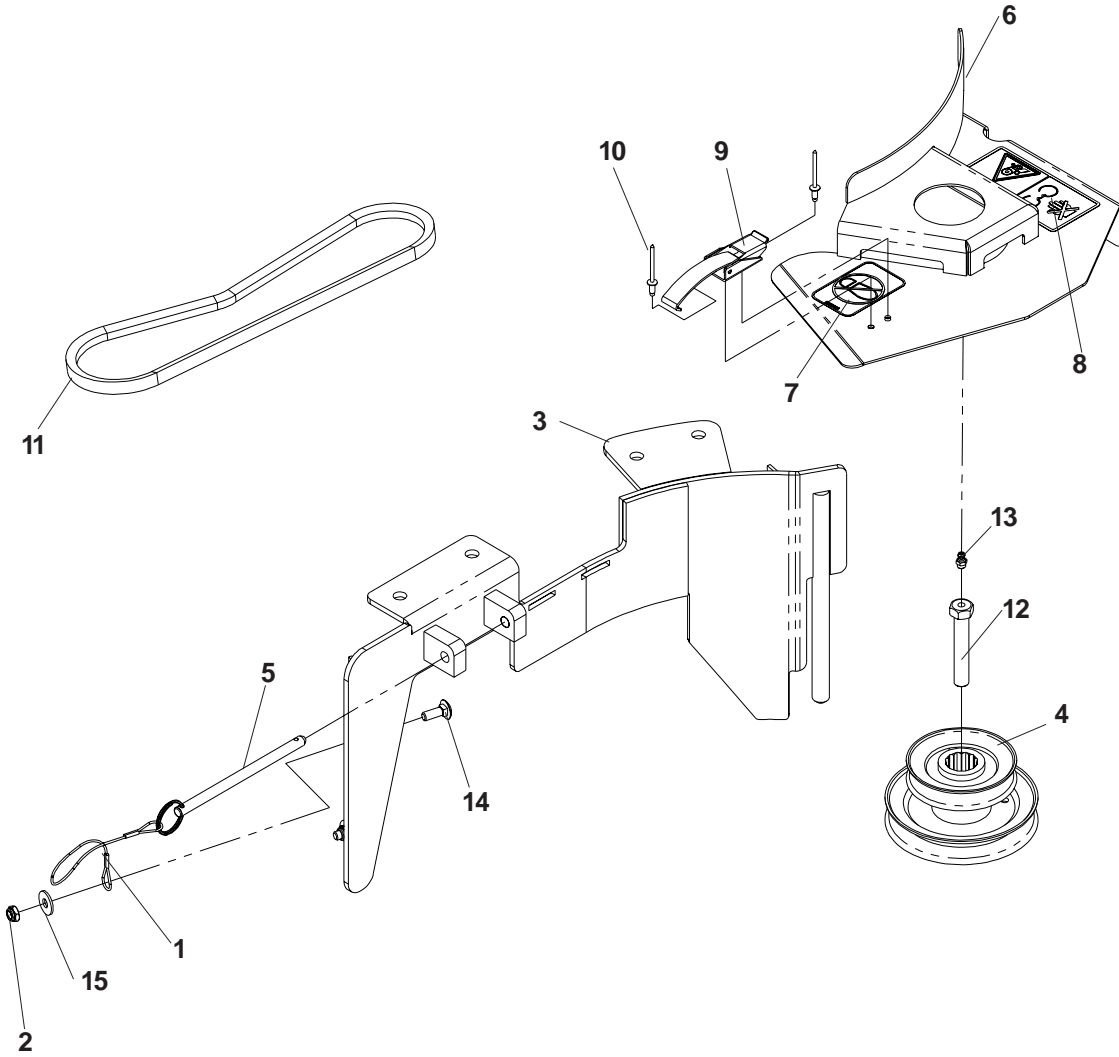
ITEM	PART NO.	QTY.	DESCRIPTION
------	----------	------	-------------

1	ER92531	3	FRONT WEIGHT
2	539 102049	2	PIN CLEVIS, 3/8 X 1
3	539 108096	2	PIN HAIR, 1/8 X 1 13/16
4	539 111313	1	HOLD DOWN
5	539 111337	1	WEIGHT BAR
6	539 977778	1	PAD, ABRASIVE
7	539 990627	4	HCS, 5/16-18 X 1 1/4, GR5

ACCESSORIES

COLLECTION SYSTEM
HCS9 - 539 11 12-80
DRIVE KIT ASSEMBLY
TUNNEL DECK ONLY

539 11 12-76 - 48 INCH DECK



ACCESSORIES

COLLECTION SYSTEM

HCS9 - 539 11 12-80

DRIVE KIT ASSEMBLY

TUNNEL DECK ONLY

539 11 12-76 - 48 INCH DECK

ITEM	PART NO.	QTY.	DESCRIPTION
1	539 102563	1	LANYARD
2	539 108120	4	NUT, 1/4-20, THIN NYLOC
3	539 111236	1	BLOWER DECK PLATE
4	539 111255	1	STACKED DOUBLE PULLEY
5	539 111270	1	PIN
6	539 111272	1	BELT SHIELD
7	539 105743	1	DECAL, EURO NO STEP
8	539 105744	1	DECAL, EURO DANGER BELT
9	539 109660	1	DRAW LATCH
10	539 110740	2	POP RIVET
11	539 111305	1	BELT
12	539 112138	1	HCS, 7/16-20 X 2 1/2, GR8
13	539 976998	1	ZERK, STRAIGHT, 1/4-28
14	539 990074	4	RHSNB, 1/4-20 X 3/4, GR2
15	539 990598	4	WASHER, 1/4

ACCESSORIES

COLLECTION SYSTEM

DFS - 539 11 3706

HOPPER ASSEMBLY

TUNNEL DECK ONLY

ITEM	PART NO.	QTY.	DESCRIPTION
1	539 113754	1	HOPPER
2	539 104808	8	PILLOW BLOCK
3	539 113747	1	DOOR
4	539 113755	1	PLATE - BACKING
5	539 113748	1	TUBE, SUPPORT, HANDLE
6	539 113746	1	BELL CRANK
7	539 977465	2	YOKE, 3/8F
8	539 113722	2	ROD, DOOR
9	539 113749	1	PIN, PIVOT
10	539 113750	1	GUARD, LEFT
11	539 113751	1	GUARD, RIGHT
12	539 113752	1	HANDLE
13	539 113739	2	ROD END, 3/8-24, RH
14	539 990122	5	WASHER, 3/8, SAE
15	539 113753	1	TUBE, THREADED
16	539 990613	6	NUT, 3/8-16, WHIZLK
17	539 990655	4	HCS, 3/8-16 X 1 1/2, GR5
18	539 107315	2	SPRING
19	539 102656	2	SPACER
20	539 991046	8	HCS, 5/16-18 X 2 1/2, GR5
21	539 990717	8	NUT, 5/16-18, NYLOC
22	539 101572	2	HCS, 1/2-13 X 3, GR5
23	539 101331	4	NUT, 1/2-13, NYLOC
24	539 108732	4	NUT, 3/8-24, JAM
25	539 976979	4	NUT, 3/8-16, NYLOC
26	539 106492	1	HCS, 3/8-16 X 2 3/4, GR5
27	539 109232	2	PIN CLEVIS, 3/8 X 1 1/4
28	539 976988	2	HAIRPIN COTTER
29	539 990365	2	PIN, COTTER, 1/8 X 3/4
30	539 990302	1	SCREW, 1/4C X 3/8, THREAD FORMING
31	539 108369	2	HCS, 1/2-13 X 1 1/4, GR5
32	539 109554	2	WASHER, 1/2
33	539 990563	2	HCS, 3/8-16 X 1, GR5
34	539 990517	2	WASHER, 3/8
35	539 000033	1	GRIP, HANDLE
36	539 111230	1	BLOWER
37	539 111287	1	HOSE, L
38	539 109901	1	OVER CENTER BAND
39	539 097076	1	HOSE CLAMP, 6"-7"
40	539 113757	1	PLUG, RECTANGULAR TUBING
41	539 113758	2	PLUG, SQUARE TUBE
42	539 113731	1	BUSHING, 1"
43	539 200684	17	RIVET, 3/6, STAVEX
44	539 104807	4	REINFORCEMENT BAR
45	539 ER92531	3	WEIGHT CAST, FRONT
46	539 111055	1	DECAL, CROWN
47	539 102587	2	GROMMET, BUMPER

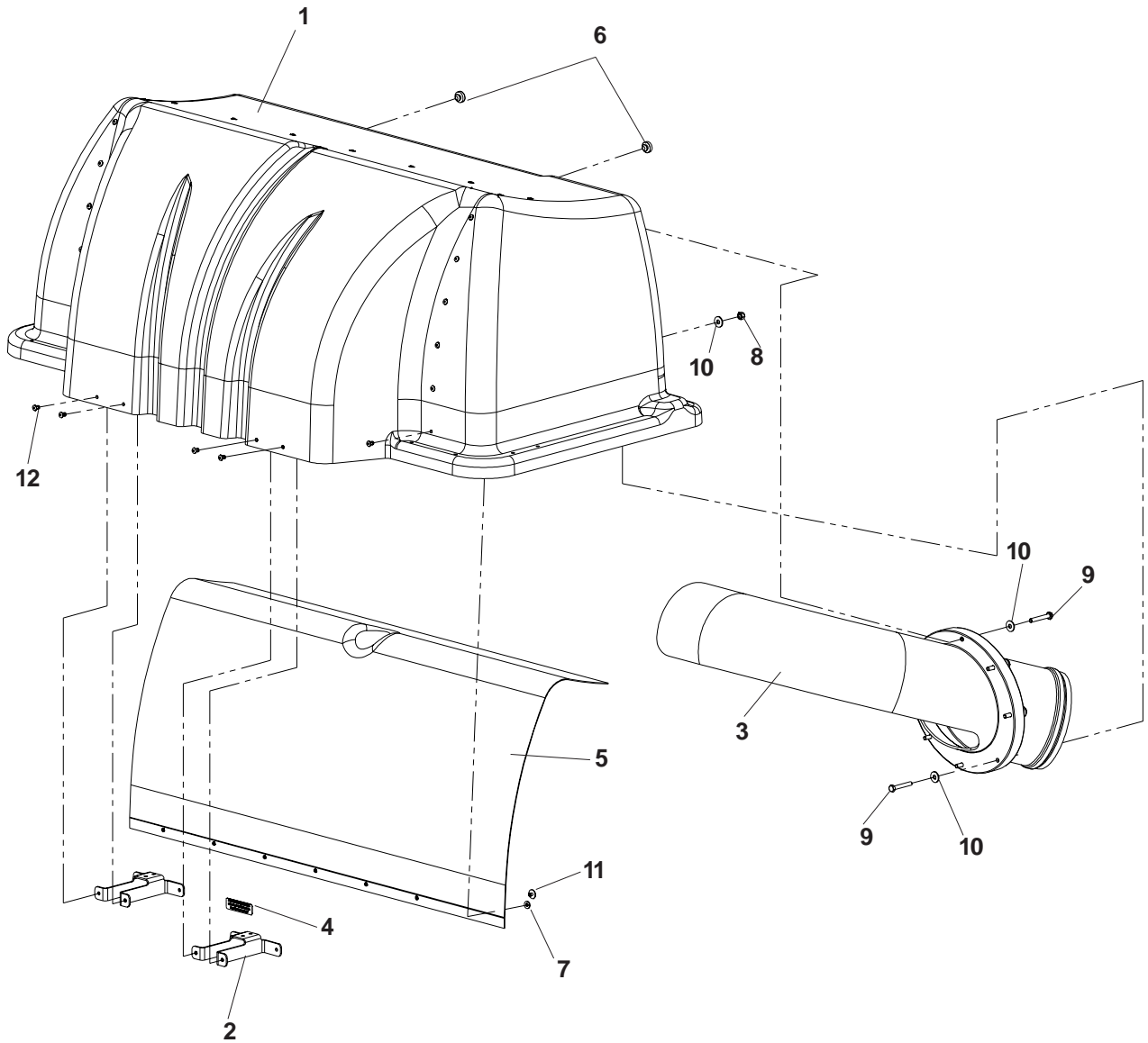
ACCESSORIES

COLLECTION SYSTEM

DFS - 539 11 3706

HOOD ASSEMBLY

TUNNEL DECK ONLY



ACCESSORIES

COLLECTION SYSTEM

DFS - 539 11 3706

HOOD ASSEMBLY

TUNNEL DECK ONLY

ITEM	PART NO.	QTY.	DESCRIPTION
1	539 111172	1	HOOD
2	539 111175	2	SUPPORT, DRAW LATCH
3	539 111182	1	INLET TUBE
4	539 111260	1	DECAL, VENTILATION
5	539 111183	1	MESH, POLY DIAMOND
6	539 102587	6	GROMMET, BUMPER
7	539 105408	21	WASHER, #10
8	539 976978	8	NUT, 1/4-20, NYLOC
9	539 991003	8	HCS, 1/4-20 X 1 3/4, GR5
10	539 990598	16	WASHER, 1/4
11	539 102744	7	RIVET, 3/16 X 1/4
12	539 200684	25	RIVET, 3/16, STAVEX

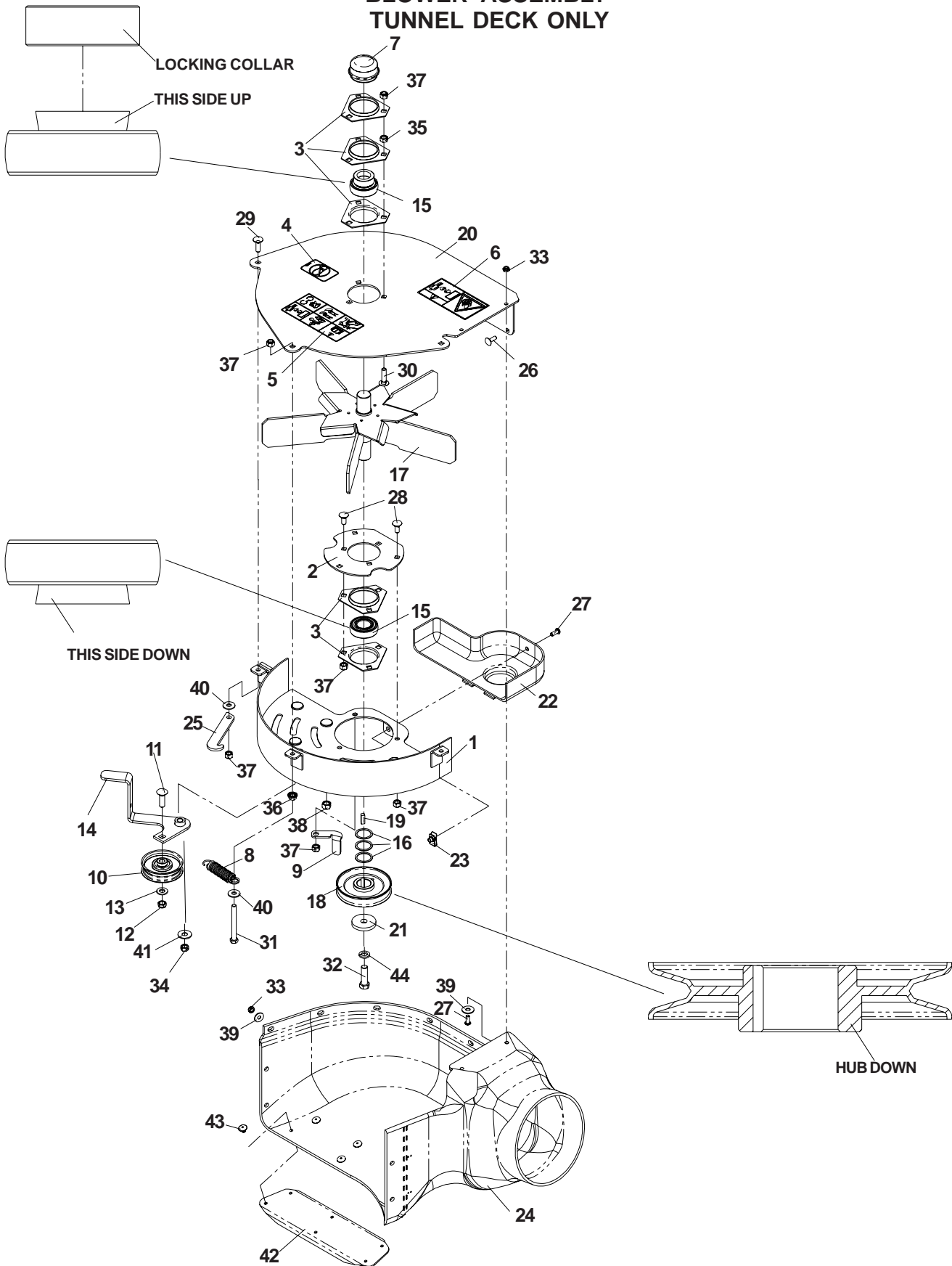
ACCESSORIES

COLLECTION SYSTEM

DFS - 539 11 3706

BLOWER ASSEMBLY

TUNNEL DECK ONLY



ACCESSORIES

COLLECTION SYSTEM

DFS - 539 11 3706

BLOWER ASSEMBLY

TUNNEL DECK ONLY

ITEM	PART NO.	QTY	DESCRIPTION
1	539111225	1	FLOOR WELDMENT
2	539111227	1	BEARING PLATE
3	539102691	5	FLANGETTE
4	539105743	1	DECAL, NO STEP
5	539105785	1	DECAL, WARNING
6	539106741	1	DECAL, SERVING
7	539102535	1	GREASE CAP
8	539916159	1	SPRING
9	539111184	1	BELT GUIDE
10	539106721	1	IDLER
11	539100413	1	RHSNB, 3/8-16 X 1 1/4, GR5
12	539200282	1	NUT, 3/8-16, JAM NYLOC
13	539990122	1	WASHER, 3/8, SAE
14	539111218	1	IDLER ARM
15	539106786	2	BEARING
16	539102244	3	BUSHING, MACHINE, 18 GA
17	539111332	1	FAN WELDMENT
18	539106713	1	SHEAVE, 4"
19	539102067	1	KEY, 1/4" SQ. X 3/4"
20	539111331	1	FAN COVER
21	539106504	1	WASHER, HEAVY
22	539111228	1	PULLEY SHIELD
23	539110813	1	RETAINER, 1/4C, "U" TYPE
24	539111220	1	BLOWER HOUSING
25	539111265	1	KEEPER, IDLER
26	539990074	6	RHSNB, 1/4-20 X 3/4, GR2
27	539111229	3	SCREW, 1/4-20 X 5/8, BTN, SKT HD
28	539880316	7	RHSNB, 5/16 X 3/4
29	539990208	1	RHSNB, 5/16-18 X 1, GR5
30	539100472	3	RHSNB, 5/16C X 1 1/4
31	539101721	1	HCS, 5/16-18 X 2 3/4, GR5
32	539100141	1	HCS, 7/16-20 X 1 1/2, GR5
33	539108120	8	NUT, 1/4C, THIN NYLOC
34	53999184	1	NUT, 5/16C, CENTERLOCK
35	539990196	3	NUT, 5/16C
36	539990585	1	NUT, 5/16C
37	539990717	12	NUT, 5/16C, NYLOC
38	539976979	4	NUT, 3/8C, NYLOC
39	539990598	8	WASHER, 1/4
40	539990692	2	WASHER, 5/16
41	539990517	1	WASHER, 3/8
42	539111340	1	BLOWER SUPPORT
43	539102744	6	RIVET
44	539990247	1	LOCKWASHER, 7/16

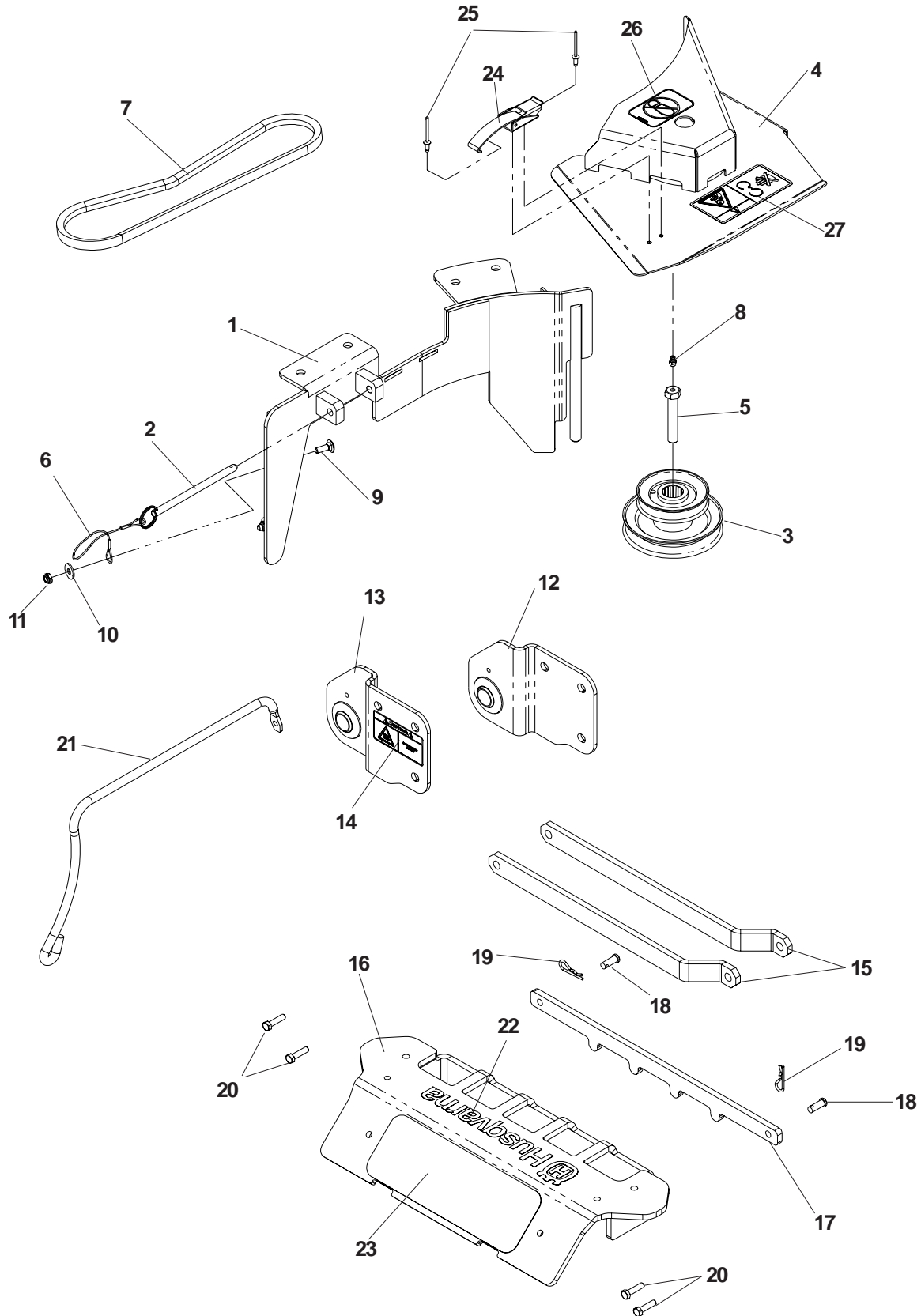
ACCESSORIES

COLLECTION SYSTEM

DFS - 539 11 3706

DRIVE KITS

TUNNEL DECK ONLY



ACCESSORIES

COLLECTION SYSTEM

DFS - 539 11 3706

DRIVE KITS

TUNNEL DECK ONLY

ITEM	PART NO.	QTY	DESCRIPTION
1	539 111236	1	BLOWER DECK PLATE, 48" DECK
	539 111264	1	BLOWER DECK PLATE, 52" DECK
	539 111240	1	BLOWER DECK PLATE, 61" DECK
2	539 111270	1	PIN
3	539 111255	1	STACK PULLEY, 48" DECK
	539 111256	1	STACK PULLEY, 52" DECK
	539 111257	1	STACK PULLEY, 61" DECK
4	539 111272	1	BELT SHIELD, 48" DECK
	539 111273	1	BELT SHIELD, 52" DECK
	539 111274	1	BELT SHIELD, 61" DECK
5	539 112138	1	HCS, 7/16-20 X 2 1/2, GR8
6	539 102563	1	LANYARD
7	539 111305	1	BELT, 48" DECK
	539 111306	1	BELT, 52" DECK
	539 111307	1	BELT, 61" DECK
8	539 976998	1	ZERK
9	539 990074	4	RHSNB, 1/4-20 X 3/4, GR2
10	539 990598	4	WASHER, 1/4
11	539 108120	4	NUT, 1/4-20, JAM, NYLOC
12	539 111203	1	HITCH BRACKET, LEFT
13	539 111205	1	HITCH BRACKET, RIGHT
14	539 111212	1	DECAL, HOT SURFACE
15	539 113776	2	STRAP
16	539 111337	1	WEIGHT BAR
17	539 111313	1	HOLD DOWN, WEIGHT BAR
18	539 102049	2	CLEVIS PIN
19	539 108096	2	SPRING RETAINER
20	539 990627	4	HCS, 5/16-18 X 1 1/4, GR5
21	539 113018	1	HOSE SUPPORT
22	539 111047	1	DECAL, HUSQVARNA
23	539 977778	1	ABRASIVE PAD
24	539 109660	1	DRAW LATCH
25	539 110740	2	RIVET, BLIND, 5/32 DIA.
26	539 105743	1	DECAL, NO STEP
27	539 105744	1	DECAL, DANGER BELT DRIVES

ACCESSORIES

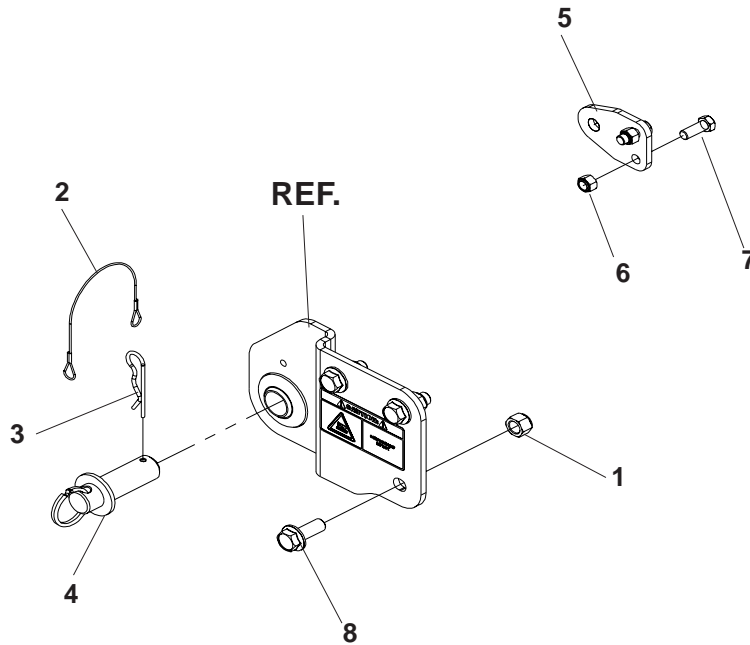
COLLECTION SYSTEM

DFS - 539 11 3706

DRIVE KITS

HARDWARE KIT

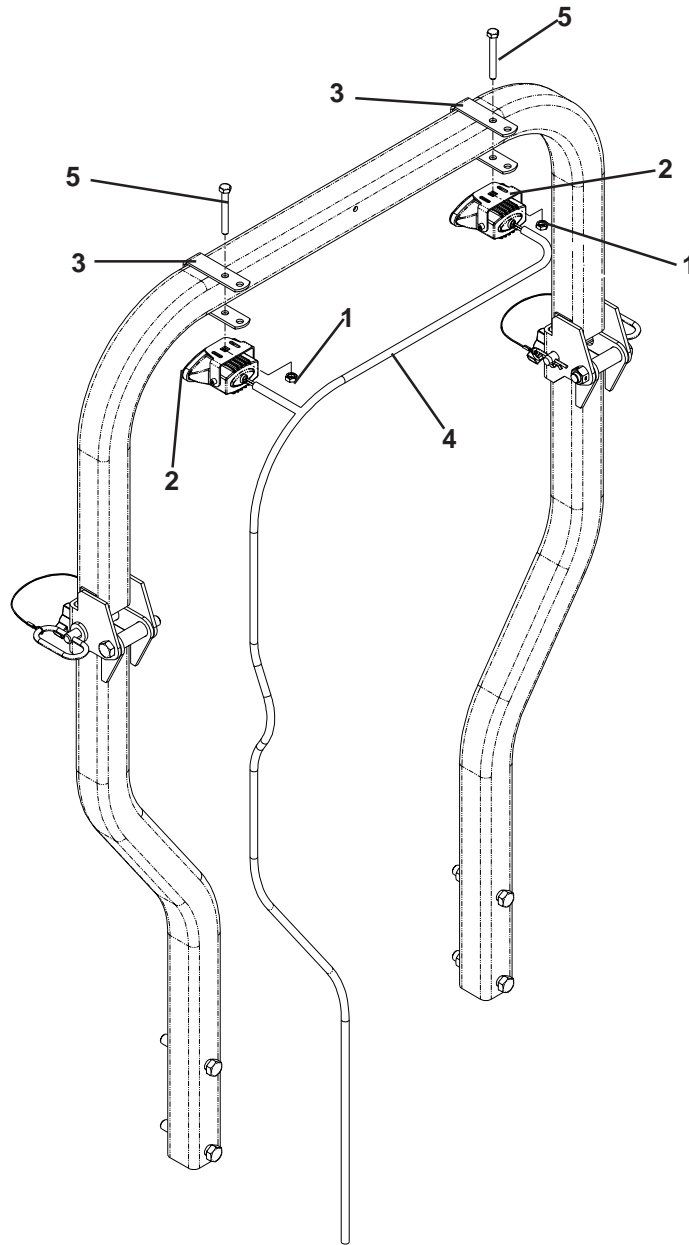
TUNNEL DECK ONLY



ITEM	PART NO.	QTY	DESCRIPTION
1	539 101331	10	NUT, 1/2-13, NYLOC
2	539 102563	2	LANYARD
3	539 111192	2	HAIRPIN
4	539 111206	2	HITCH PIN
5	539 111215	2	SUPPORT BRACKET
6	539 976979	4	NUT, 3/8-16, NYLOC
7	539 990563	4	HCS, 3/8-16 X 1, GR5
8	539 990622	10	BOLT, 1/2-13 X 1 1/4, WHIZLK
	539 990655	2	HCS, 3/8-16 X 1 1/2, GR5 (NOT SHOWN)

ACCESSORIES

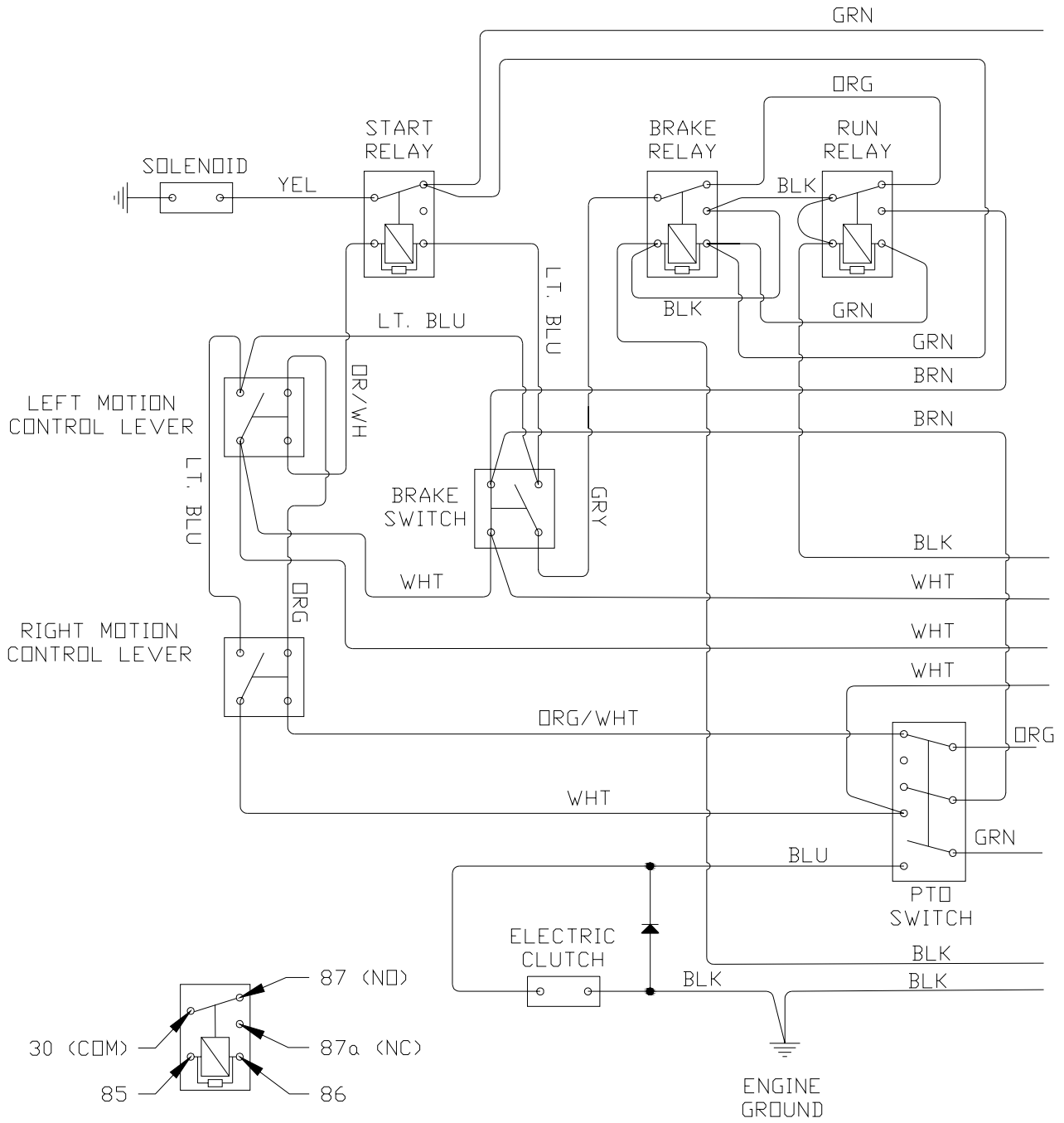
LIGHT KIT PART NO. 111579



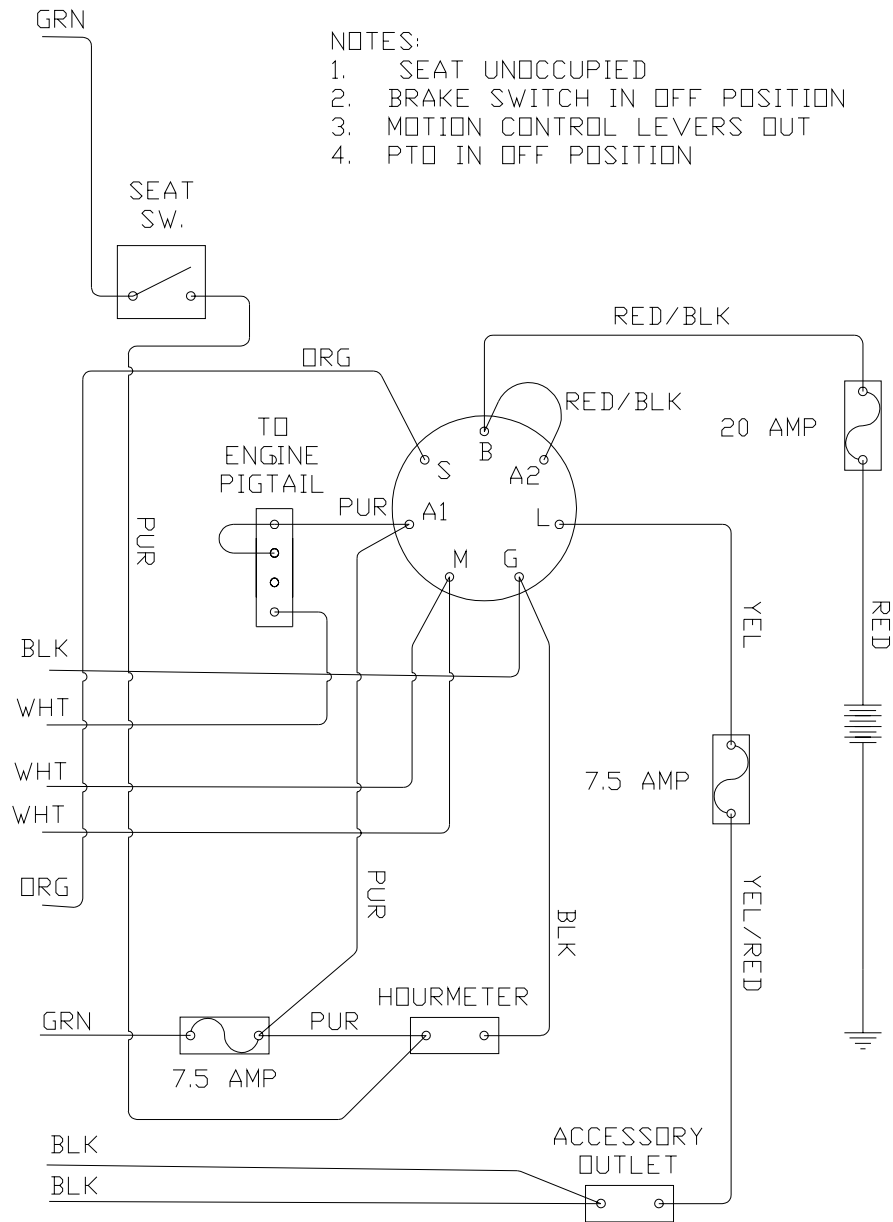
ITEM	PART NO.	QTY.	DESCRIPTION
------	----------	------	-------------

1	539 107897	2	NUT, 5/16-18, JAM
2	539 111577	2	LIGHT W/BRACKET & HARDWARE
3	539 111578	2	LIGHT MOUNTING BRACKET
4	539 111580	1	LIGHT HARNESS
5	539 991046	2	HCS, 5/16-18 X 2 1/2, GR5
	539 976856	16	WIRE TIES (NOT SHOWN)
	539 111815	1	REPLACEMENT BULB, 12V, 35 WATT
			(NOT INCLUDED IN KIT)

WIRING DIAGRAM



WIRING DIAGRAM



- NOTES:
1. SEAT UNOCCUPIED
 2. BRAKE SWITCH IN OFF POSITION
 3. MOTION CONTROL LEVERS OUT
 4. PTO IN OFF POSITION

