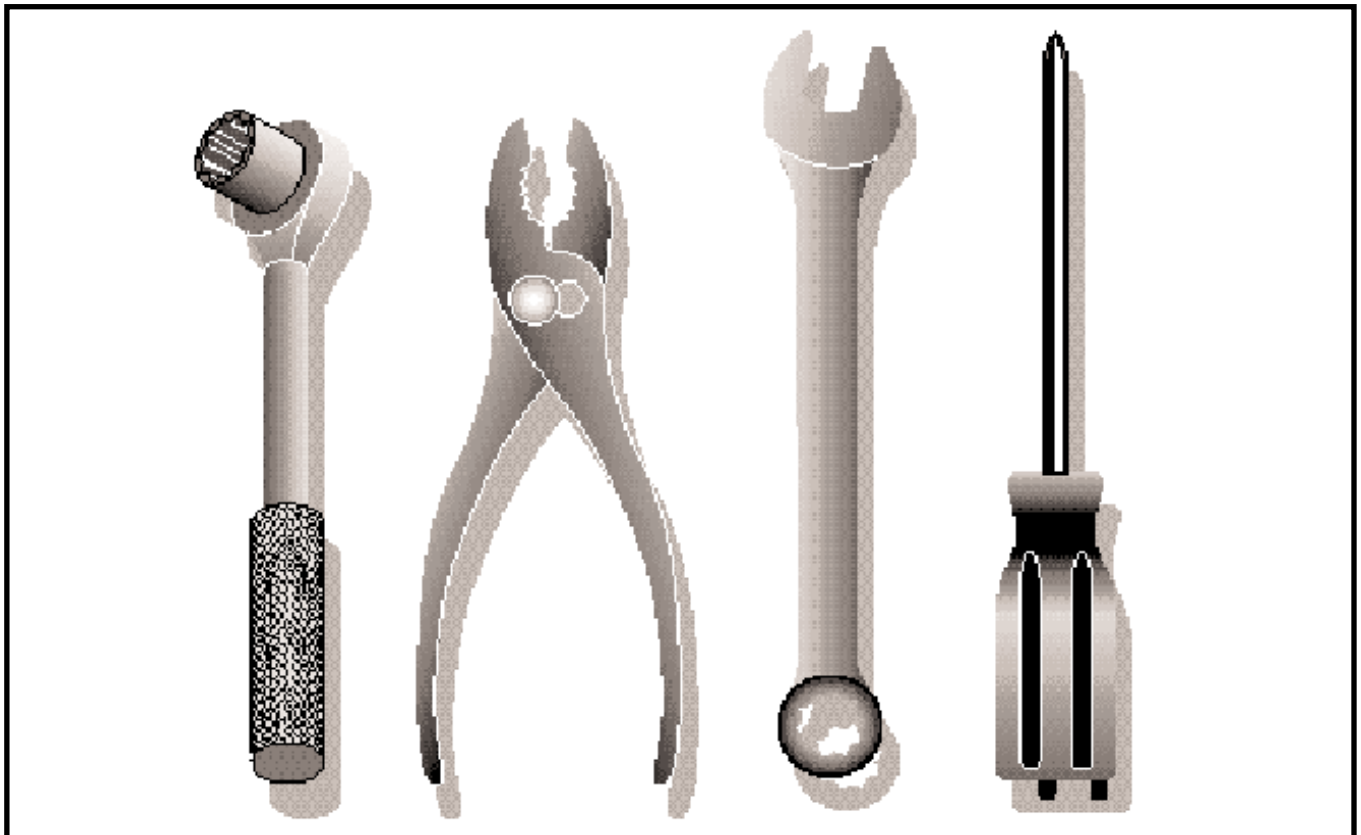


Ride Mower

YTH2242T

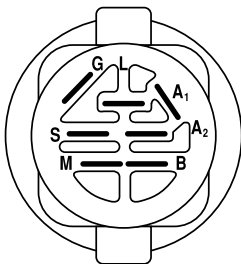
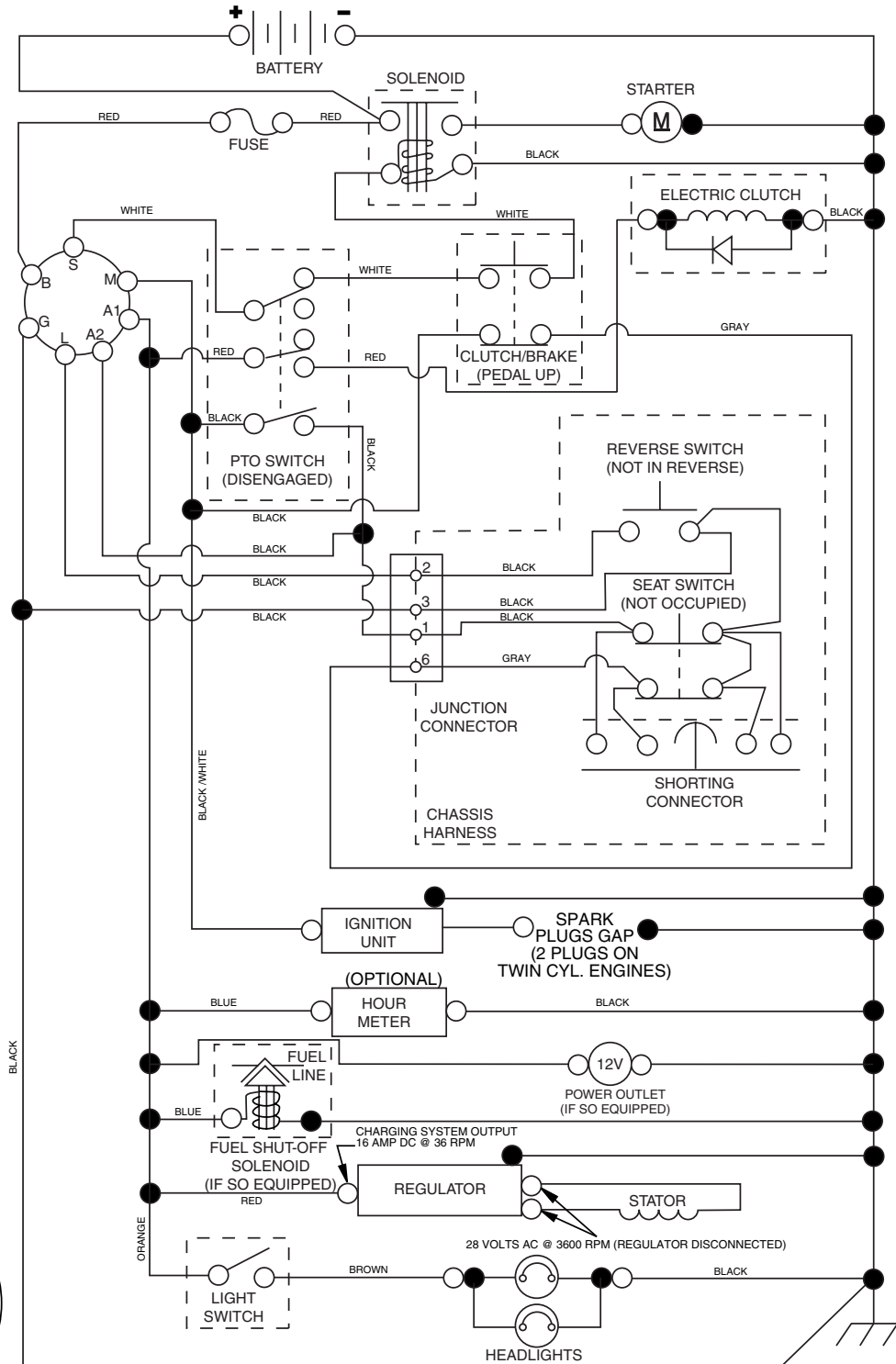
917.279180



TRACTOR - - MODEL NUMBER YTH2242T (279180)

SCHEMATIC

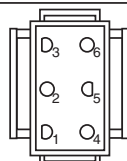
02929-194276_Regulated-Tex



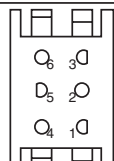
IGNITION SWITCH

POSITION	CIRCUIT	"MAKE"
OFF	M+G+A1	
RUN/OVERRIDE	B+A1	
RUN	B+A1	L+A2
START	B + S + A1	

02929



CHASSIS HARNESS CONNECTOR (MATING SIDE)



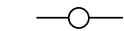
DASH HARNESS CONNECTOR (MATING SIDE)

WIRING INSULATED CLIPS

NOTE: IF WIRING INSULATED CLIPS WERE REMOVED FOR SERVICING OF UNIT, THEY SHOULD BE REPLACED TO PROPERLY SECURE YOUR WIRING.



NON-REMOVABLE CONNECTIONS



REMOVABLE CONNECTIONS

TRACTOR - - MODEL NUMBER YTH2242T (279180)

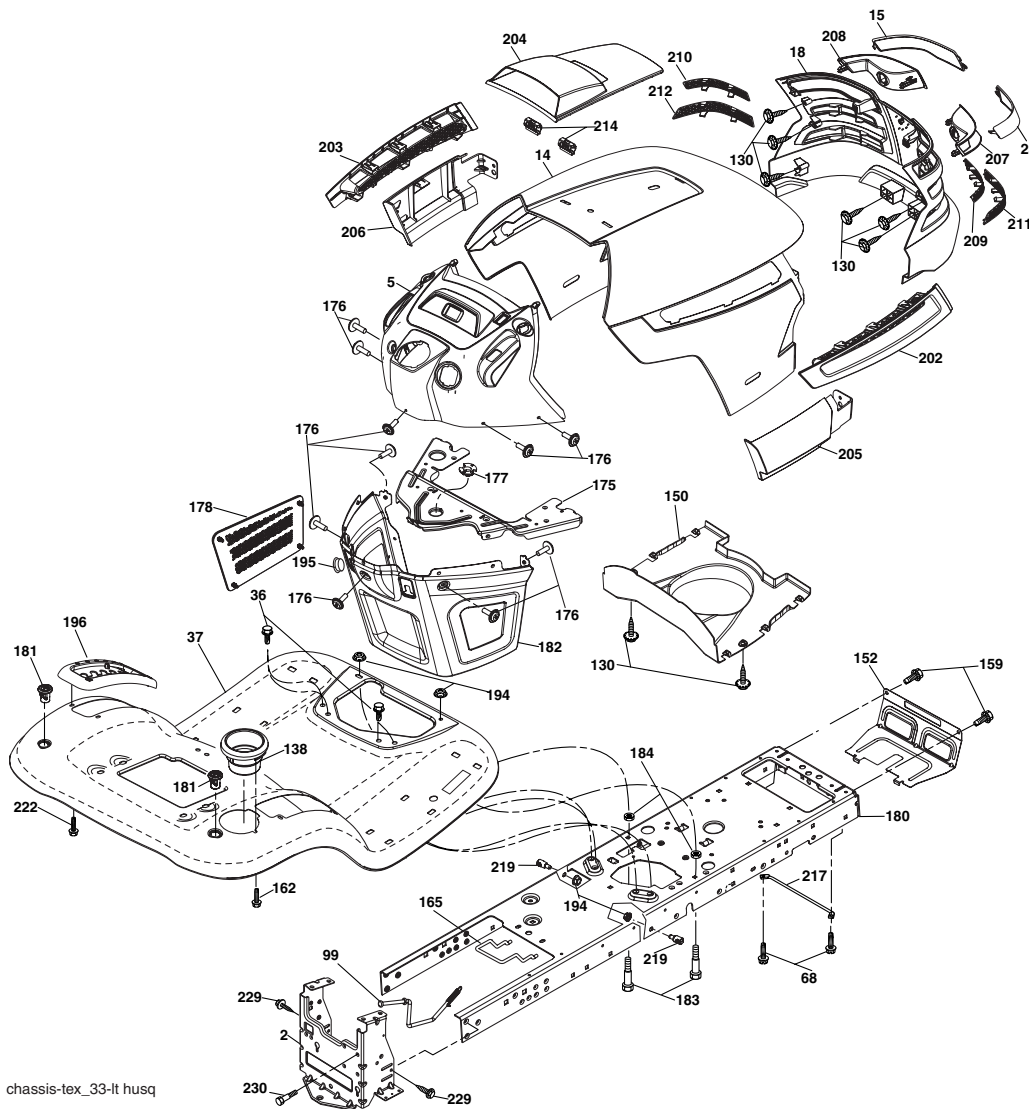
ELECTRICAL

KEY NO.	PART NO.	DESCRIPTION
1	532 14 49-27	Battery
2	874 76 04-12	Bolt Hex Head 1/4-20 x 3/4
8	532 18 64-91	Box Battery
16	532 17 61-38	Switch Interlock Push-In
21	532 18 37-59	Harness Socket Light W/4152J
22	532 00 41-52	Bulb Light
24	532 40 02-53	Cable Brty
25	532 19 88-93	Cable Starter
26	532 17 51-58	Fuse
27	873 51 04-00	Nut Keps Hex 1/4-20 unc
28	532 14 54-91	Cable, Ground
29	532 40 15-45	Switch, Seat
30	532 19 33-50	Switch, Ign
33	532 14 04-01	Key, Ignition
34	532 11 07-12	Switch Light / Reset
40	532 40 11-04	Harness Ign.
41	817 72 04-08	Screw Thd Cut 1/4-20 x 1/2
42	532 13 15-63	Cover, Terminal
43	532 19 25-07	Solenoid
46	532 19 81-38	Gauge Servicere minder Hrmtr
50	532 17 46-51	Switch PTO
55	817 49 05-12	Screw Thdrol 5/16-18 x 3/4 TYTT
71	532 19 42-76	Harness Ign. Dash
90	532 40 07-24	Cover Terminal
91	532 19 02-70	Strap Battery Mount Front
99	817 67 04-12	Screw Hexwsh Thdrol 1/4-20 x 3/4
100	819 09 14-16	Washer 9/32 x 7/8 x 16 Ga.

NOTE: All component dimensions given in U.S. inches
1 inch = 25.4 mm

TRACTOR -- MODEL NUMBER YTH2242T (279180)

CHASSIS



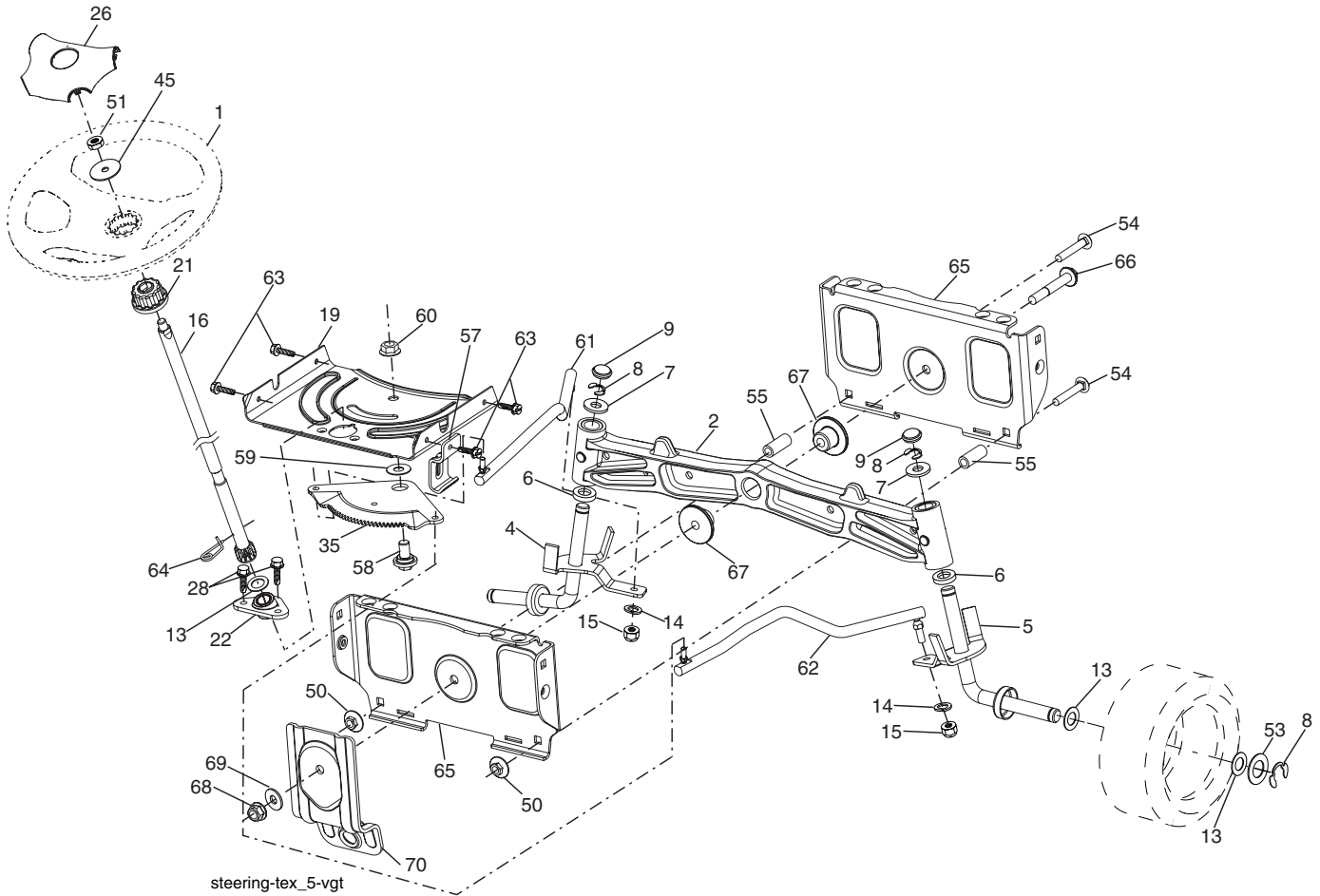
KEY NO.	PART NO.	DESCRIPTION
2	532 19 42-63	Drawbar
5	532 40 18-23	Dash
14	532 40 18-24	Hood
15	532 19 89-07	Lens LH
18	532 40 02-97	Grille/Lens Asm.
25	532 19 89-06	Lens RH
36	817 06 05-12	Screw 5/16-18 x 3/4
37	532 40 47-94	Fender
68	817 49 05-08	Screw Thdrol 5/16-18 x 1/2
99	532 40 15-30	Rod Asm Bypass
130	532 19 16-11	Screw 10 x 3/4 Single Lead-Hex
138	532 40 29-54	Cupholder
150	532 19 85-13	Air Duct
152	532 19 43-29	Shield Browning
159	817 00 06-12	Screw 3/8-16 x 3/4
162	532 14 24-32	Screw
165	532 40 03-15	Support Tank Rear
175	532 19 63-04	Crossmember
176	532 40 07-76	Screw 10-24 x 5/8
177	532 19 52-27	Bushing Steering
178	532 19 97-82	Cargo Net Asm.
180	532 19 42-60	Chassis
181	532 40 47-96	Bushing Mtg. Fender Crgo
182	532 19 47-87	Dash Lower

KEY NO.	PART NO.	DESCRIPTION
183	874 78 05-20	Bolt Fin Hex 5/16-18 unc x 1-1/4
184	532 19 57-80	Spacer Fender
194	873 90 05-00	Nut Lock Hex Flange 5/16-18
195	532 40 41-37	Plug Hole Dash Lower
196	532 40 28-43	Console Asm. Deck Lift
202	532 40 30-48	Vent Side Hood RH
203	532 40 30-76	Vent Side Hood LH
204	532 19 89-04	Vent Top Hood
205	532 40 17-09	Skirt Hood Side RH
206	532 40 17-11	Skirt Hood Side LH
207	532 19 71-98	Bezel RH
208	532 19 71-99	Bezel LH
209	532 19 91-30	Insert Hex Top RH
210	532 19 91-31	Insert Hex Top Lh
211	532 19 91-32	Insert Hex Bottom RH
212	532 19 91-33	Insert Hex Bottom LH
214	532 19 91-45	Clip Retainer Tinner
217	532 15 65-24	Rod Pivot
219	532 19 51-61	Stud Fastner
222	532 13 77-29	Screw Thdrol 1/4-20 x 5/8
229	817 00 06-16	Screw Hexwsh Thdr 3/8-16 x 3/4
230	532 17 01-65	Bolt Shoulder 5/16-18

NOTE: All component dimensions given in U.S. inches
1 inch = 25.4 mm

TRACTOR -- MODEL NUMBER YTH2242T (279180)

STEERING ASSEMBLY



KEY NO.	PART NO.	DESCRIPTION
1	532 19 39-43	Wheel, Steering
2	532 19 59-68	Axle Asm., Front
4	532 40 30-87	Spindle Asm., LH
5	532 40 30-88	Spindle Asm., RH
6	532 12 49-31	Bearing, Race Thrust Harden
7	532 12 17-48	Washer 25/32 x 1-5/8 x 16 Ga.
8	812 00 00-29	Ring, Klip #T5304-75
9	532 12 12-32	Cap, Spindle
13	532 12 17-49	Washer 25/32 x 1-1/4 x 16 Ga.
14	810 04 06-00	Washer, Lock Hvy Hlcl Spr 3/8
15	873 54 06-00	Nut, Crown Lock 3/8-24 unf
16	532 19 47-46	Shaft Steering
19	532 19 47-29	Plate Steering
21	532 18 67-37	Adapter, Wheel Steering
22	532 19 48-45	Bushing, Strg. Blk
26	532 19 36-52	Insert, Wheel Steering
28	817 00 06-12	Screw 3/8-16 x 3/4
35	532 19 47-32	Gear, Sector Plate
45	819 18 38-12	Washer 9/16 ID x 2-3/8 OD 12 Ga.
50	873 90 06-00	Nut Lock 3/8-16 unc
51	873 94 08-00	Nut Hex Jam Toplock 1/2-20 unf
53	532 18 89-67	Washer Hardened .793 x 1.637 x .060

KEY NO.	PART NO.	DESCRIPTION
54	874 76 06-36	Bolt Hex 3/8-16 unc x 2-1/4
55	532 19 76-36	Spacer Brace Axle
57	532 19 72-46	Bracket Upstop
58	532 19 47-47	Bolt Shoulder Sector Pivot CFM
59	532 19 47-48	Washer Thrust Sector Steering
60	873 97 10-00	Nut Flange Lock 5/8-11
61	532 19 47-40	Draglink LH
62	532 19 47-41	Draglink, RH
63	817 06 05-12	Screw 5/16-18 x 3/4
64	532 19 98-49	Retainer Clip Spring Steering
65	532 19 47-34	Brace Axle Front
66	871 02 07-48	Bolt Hex Fghd 7/16-14 x 3 Serr
67	532 19 47-37	Bushing PM Front Axle
68	873 90 07-00	Nut Lock Flange 7/16-14 Gr. 5
69	532 19 91-62	Washer 1.5 x .505 x .118
70	532 19 61-97	Bracket Deck Susp. Front

NOTE: All component dimensions given in U.S. inches
1 inch = 25.4 mm

TRACTOR - - MODEL NUMBER YTH2242T (279180)

DRIVE

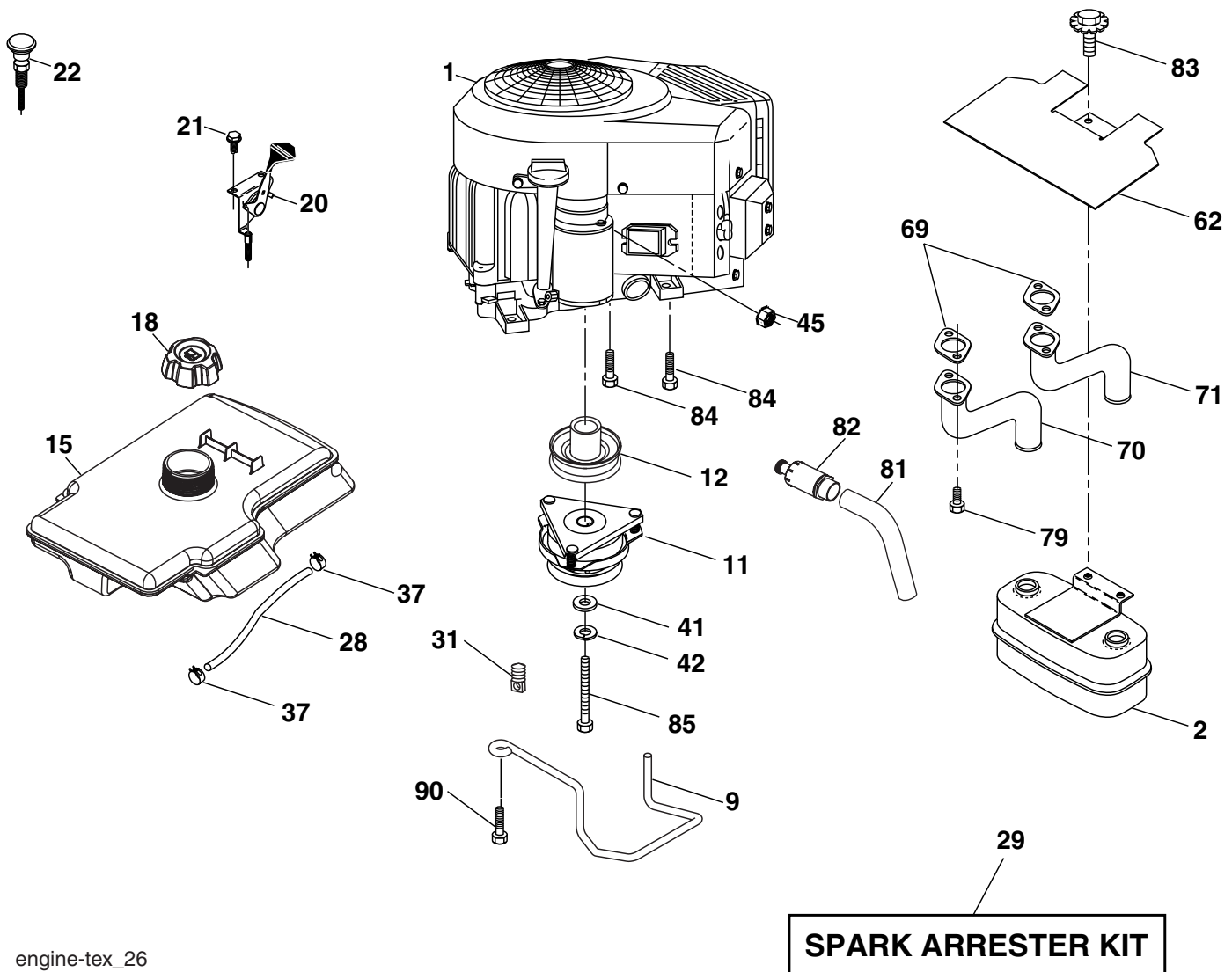
KEY NO.	PART NO.	DESCRIPTION
1	-----	Transaxle, Hydro 356-0510 (See Breakdown)
2	532 12 35-83	Key Square
15	819 13 13-16	Washer 13/32 x 13/16 x 16 Ga.
17	532 19 72-96	Spring, Brake
26	532 19 96-79	Spring Return Cruise
29	532 19 76-59	Rod, Brake
33	812 00 00-01	Ring E
35	532 19 95-91	Rod, Brake, Park
37	532 12 17-49	Washer 25/32 x 1-1/4 x 16 Ga.
42	532 12 48-72	Cover, Foot Pedal
49	872 11 06-14	Bolt
50	532 19 43-27	Pulley Idler Flat
51	873 90 06-00	Lock Nut 3/8-16
52	532 19 43-26	Idler V-Groove 910" Offset
56	532 14 02-18	V-Belt, Drive
64	53219 78-65	Shaft Asm. Pedal Brake Control
73	874 49 05-44	Bolt Hex Flghd 5/16-18 x 3.0 Gr. 5
80	532 40 05-07	Bracket Strap Torque
92	874 76 05-20	Bolt Fin Hex 5/16-18 unc x 1.25
116	873 90 05-00	Nut Lock Hex Flange 5/16-18
125	817 00 05-12	Screw 5/16-18 x 3/4
153	532 12 47-88	Retainer Spring
159	876 02 04-12	Pin Cotter 1/8 x 3/4
160	532 16 94-84	Retainer Clip
161	532 19 54-03	Spring, Return, Clutch
163	532 19 90-00	Rod Pedal Control

KEY NO.	PART NO.	DESCRIPTION
167	532 19 62-11	Latch Brake Parking
170	532 19 43-22	Keeper Belt Centerspan
171	872 11 06-16	Bolt
183	532 13 70-57	Spacer Axle
184	532 40 31-18	Handle Parking Brake
185	872 11 06-20	Bolt
186	532 19 43-21	Spacer Retainer
187	819 13 32-10	Washer
188	532 19 43-23	Link Clutch Ground Drive
189	532 19 43-17	Bellcrank Ground Drive
190	532 19 43-18	Keeper Bellcrank Ground Drive
196	817 00 06-16	Screw 3/8-16 x 1
197	532 19 58-04	Link Clutch Anti-Rotation
203	819 11 11-16	Washer 11/32 x 11/16 x 16 Ga.
205	532 12 17-48	Washer 25/32 x 1-5/8 16 Ga.
206	532 19 78-67	Bracket Mount Latch Cruise
207	532 19 78-68	Latch Control Cruise
208	532 19 78-69	Gear Sector Control Cruise
209	532 19 95-92	Rod Control Cruise
210	532 19 78-60	Rockr Asm. Pedal Control
213	532 40 31-19	Knob control Cruise
214	532 40 17-22	Pad Pedal Forward
215	532 40 17-23	Pad Pedal Reverse
221	532 40 31-87	Retainer Spring Clip

NOTE: All component dimensions given in U.S. inches
1 inch = 25.4 mm

TRACTOR -- MODEL NUMBER YTH2242T (279180)

ENGINE



engine-tex_26

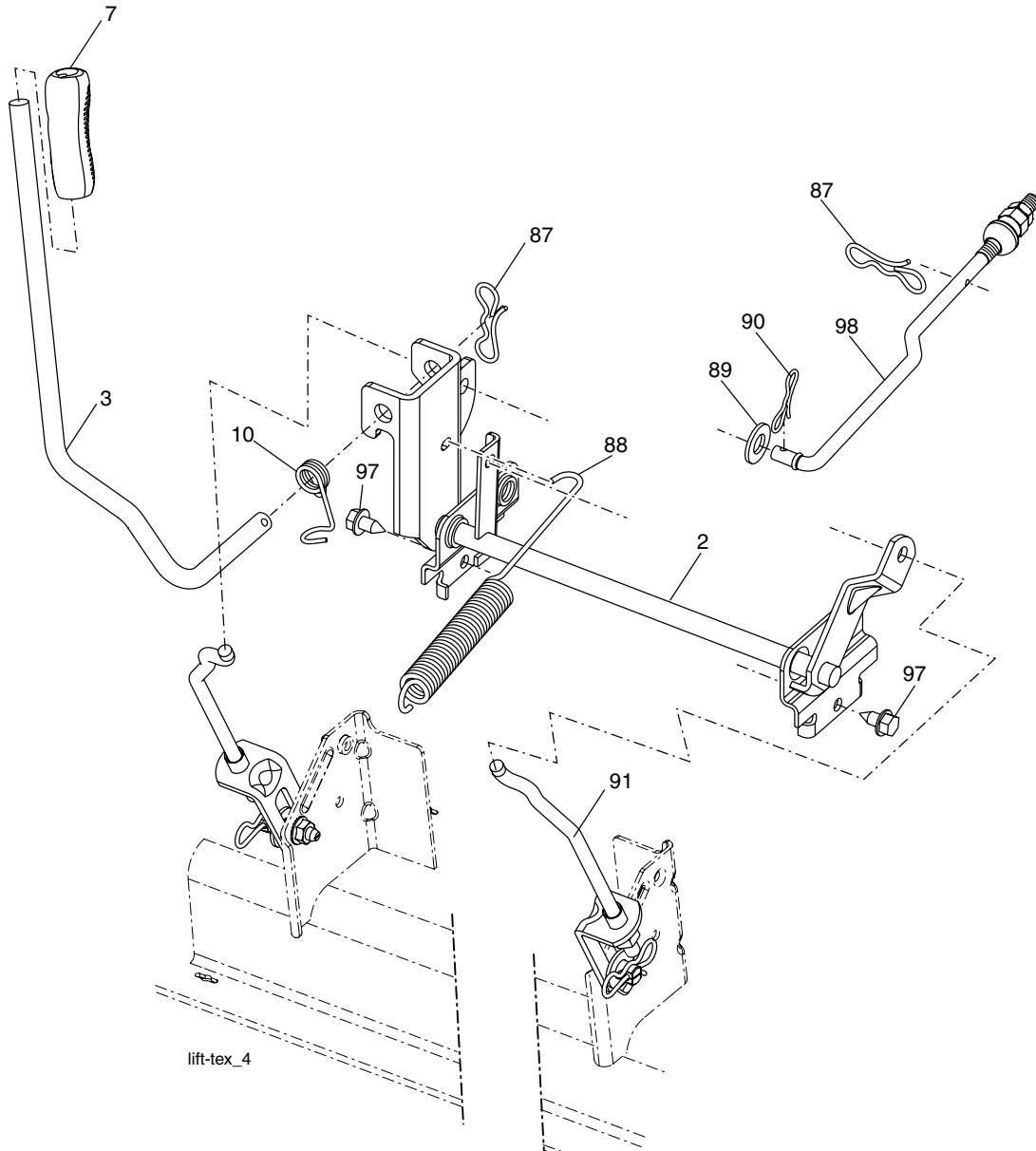
KEY NO.	PART NO.	DESCRIPTION
1	-----	Engine B&S Model No. 441777 0284-E1 (See Breakdown)
2	532 14 97-23	Muffler
9	532 19 43-19	Keeper Belt Engine
11	532 18 05-05	Clutch Ogura
12	532 19 43-38	Pulley Engine
15	532 19 70-24	Tank Fuel
18	532 19 59-51	Cap Asm
20	532 17 83-85	Control Throttle
21	532 19 16-11	Screw 10 x 3/4 Single Lead-Hex
22	532 19 15-96	Control Choke
28	532 40 11-35	Fuel Line
29	532 13 71-80	Spark Arrester Kit
31	532 14 50-06	Clip Push-In Hinged
37	532 12 34-87	Clamp Hose
41	532 12 61-97	Washer 1-1/2 OD x 15/32 ID x .250

KEY NO.	PART NO.	DESCRIPTION
42	810 04 07-00	Washer Lock 7/16
45	873 51 04-00	Nut Keps Hex 1/4-20 unc
62	532 14 66-29	Shield Heat Muffler
69	532 16 53-91	Gasket
70	532 15 99-55	Exhaust Tube LH
71	532 16 05-89	Exhaust Tube RH
79	532 18 39-06	Screw Socket Head 5/16-18 x 1
81	532 14 84-56	Tube Drain Oil Easy
82	532 18 16-54	Plug Drain Oil
83	532 19 82-39	Bolt 5/16-18 unc x 1 w/Sems
84	817 06 06-20	Screw 3/8-16 x 1-1/4
85	532 17 39-37	Bolt Hex 7/16-20 x 4 x Gr. 5-1.5 Thr
90	817 00 06-16	Screw 3/8-16 x 1

NOTE: All component dimensions given in U.S. inches
1 inch = 25.4 mm

TRACTOR -- MODEL NUMBER YTH2242T (279180)

MOWER LIFT



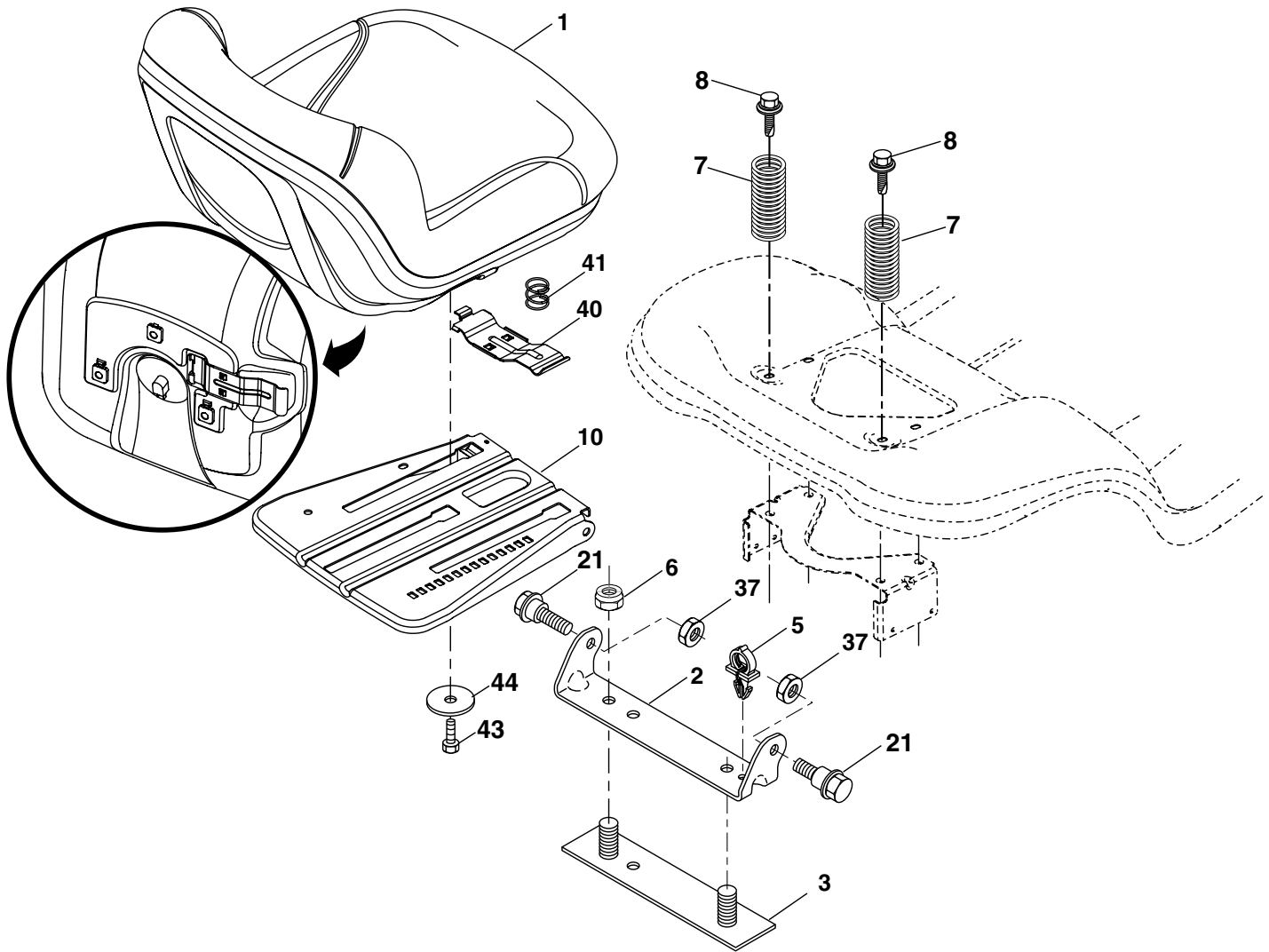
KEY NO.	PART NO.	DESCRIPTION
2	532 19 52-23	Shaft Asm., Lift
3	532 19 52-31	Lever Asm., Lift Rh
7	532 19 64-92	Grip, Lever
10	532 19 63-14	Spring Torsion
87	532 19 42-09	Pin Cotter 7/16 Bow Tie Lock
88	532 19 53-03	Spring Lift Assist
89	819 19 19-12	Washer Clear Zinc

KEY NO.	PART NO.	DESCRIPTION
90	532 19 42-08	Pin Cotter 5/16 Bow Tie Lock
91	532 19 51-81	Link Lift Susp Mower Rear
97	817 06 06-12	Screw 3/8-16 x .75 Smgml Tap/R.Z
98	532 19 52-70	Link Lift Susp. Front Mower

NOTE: All component dimensions given in U.S. inches
1 inch = 25.4 mm

TRACTOR -- MODEL NUMBER YTH2242T (279180)

SEAT ASSEMBLY



seat-tex_7-vgt

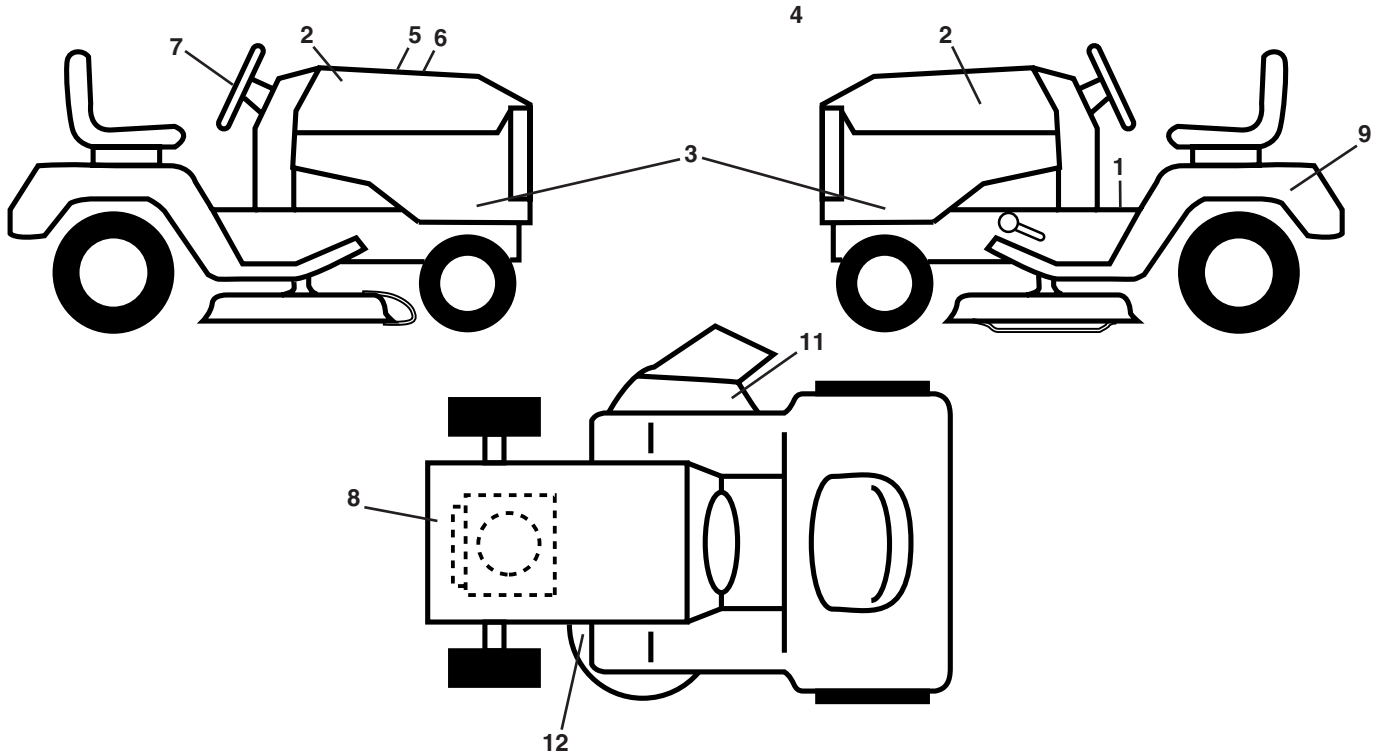
KEY NO.	PART NO.	DESCRIPTION
1	532 19 75-18	Seat
2	532 18 01-66	Bracket Pivot Fender
3	532 14 06-75	Strap, Asm Fender
5	532 14 50-06	Clip, Push In, Hinged
6	873 80 06-00	Nut, Lock W/Ins. 3/8-16 unc
7	532 12 41-81	Spring, Seat Cprsn
8	532 17 18-77	Bolt 5/16-18 uncx 3/4 w/Sems
10	532 19 69-77	Pan, Seat

KEY NO.	PART NO.	DESCRIPTION
21	532 17 18-52	Bolt, Shoulder 5/16-18
37	873 80 05-00	Nut, Lock 5/16-18 unc
40	532 19 76-61	Handle Slide Seat
41	532 19 82-00	Spring Latch Seat
43	874760612	Bolt Fin Hex 3/8-16 unc x 3/4
44	819133812	Washer 13/32 x 2-3/8 x 12 Ga.

NOTE: All component dimensions given in U.S. inches
1 inch = 25.4 mm

TRACTOR -- MODEL NUMBER YTH2242T (279180)

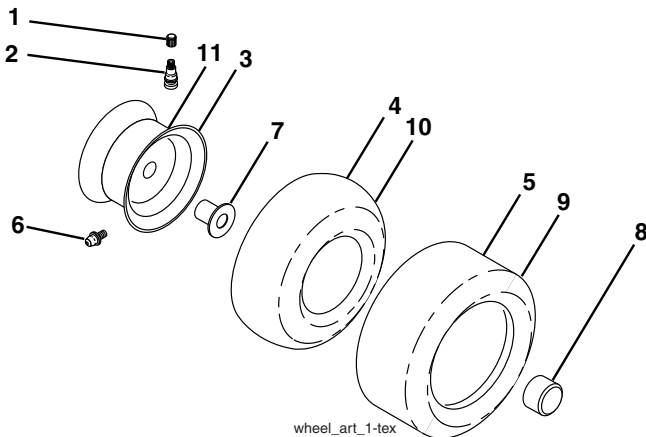
DECALS



KEY NO.	PART NO.	DESCRIPTION
1	532 40 21-04	Decal, Operators
2	532 40 28-32	Decal, Hood
3	532 40 35-27	Decal, Hood Panel SD
4	532 40 21-28	Decal, Hood Top Insert
5	532 18 09-41	Decal, Customer Respons.
6	532 40 35-70	Decal, Replacement
7	532 40 44-84	Decal, Steering Wheel
8	532 18 94-89	Decal, Eng. HP

KEY NO.	PART NO.	DESCRIPTION
9	532 14 50-05	Decal, Battery Dnge/Poi
11	532 17 05-63	Decal, Warning
12	532 16 03-96	Decal, Mower V-Belt Schematic
--	532 16 69-60	Decal, Bypass
--	532 40 29-76	Pad, Footrest, LH
--	532 40 47-99	Pad, Footrest, RH
--	532 40 40-32	Manual, Owner's (English)
--	532 40 40-33	Manual, Owner's (French)

WHEELS AND TIRES

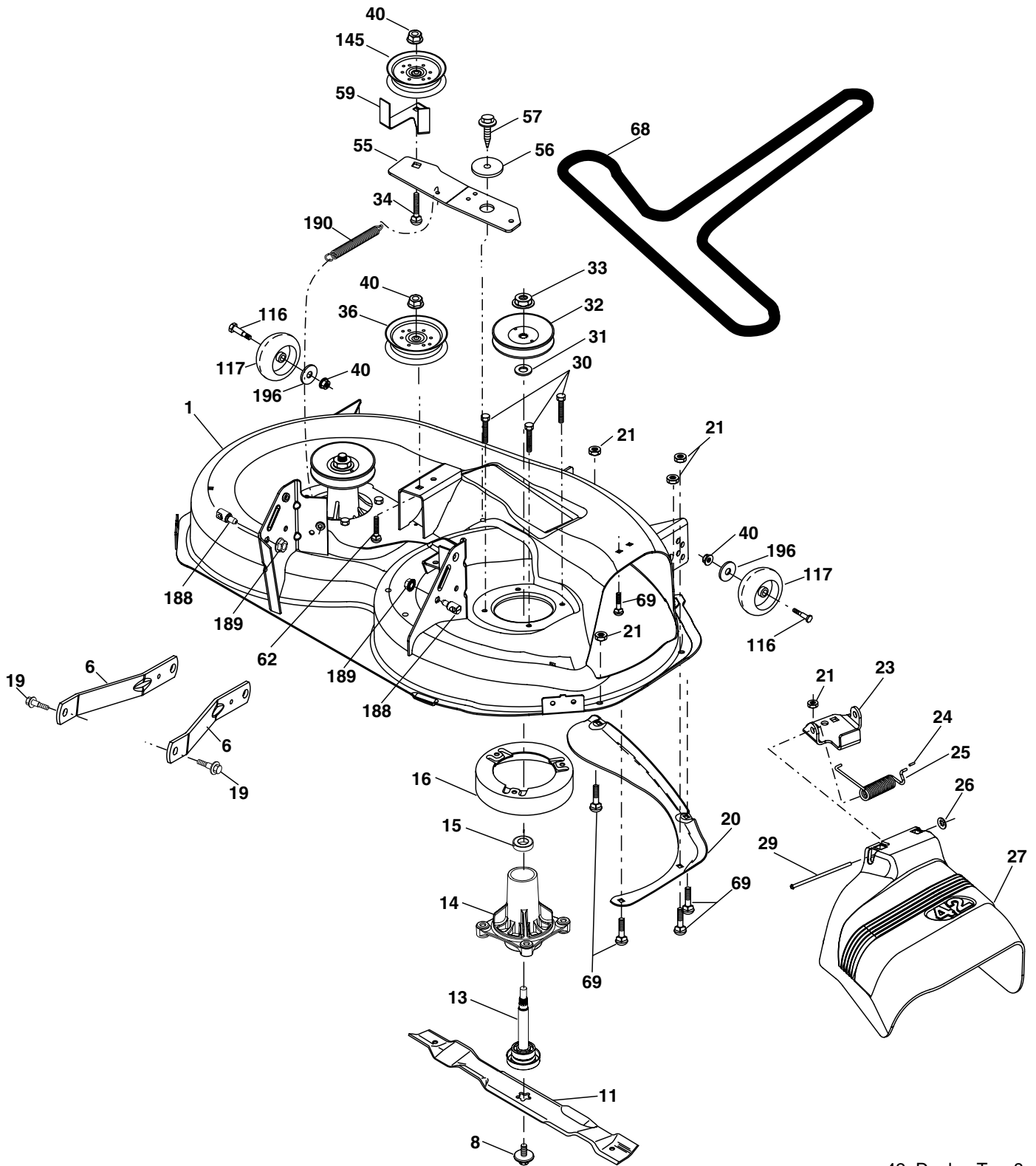


KEY NO.	PART NO.	DESCRIPTION
1	532 05 91-92	Cap Valve Tire
2	532 06 51-39	Stem Valve
3	532 13 83-36	Rim Asm 6" front Service
4	532 05 99-04	Tube Front (Service Item Only)
5	532 10 62-22	Tire FT 15 x 6 0 - 6 Service
6	532 12 49-57	Fitting Grease (Front Wheel Only)
7	532 12 49-59	Bearing Flange (Front Wheel nly)
8	532 17 50-39	Cap Axle Blk 1 50 x 1 00
9	532 13 84-68	Tire RT 18 x 9.5-8 Service
10	532 12 49-26	Tube Rear (Service Item Only)
11	532 13 83-37	Rim Asm 8" rear Service
--	532 14 43-34	Sealant, Tire (10 oz. Tube)

NOTE: All component dimensions given in U.S. inches
1 inch = 25.4 mm

TRACTOR -- MODEL NUMBER YTH2242T (279180)

MOWER DECK



42_D_elec-Tex_8

TRACTOR - - MODEL NUMBER YTH2242T (279180)

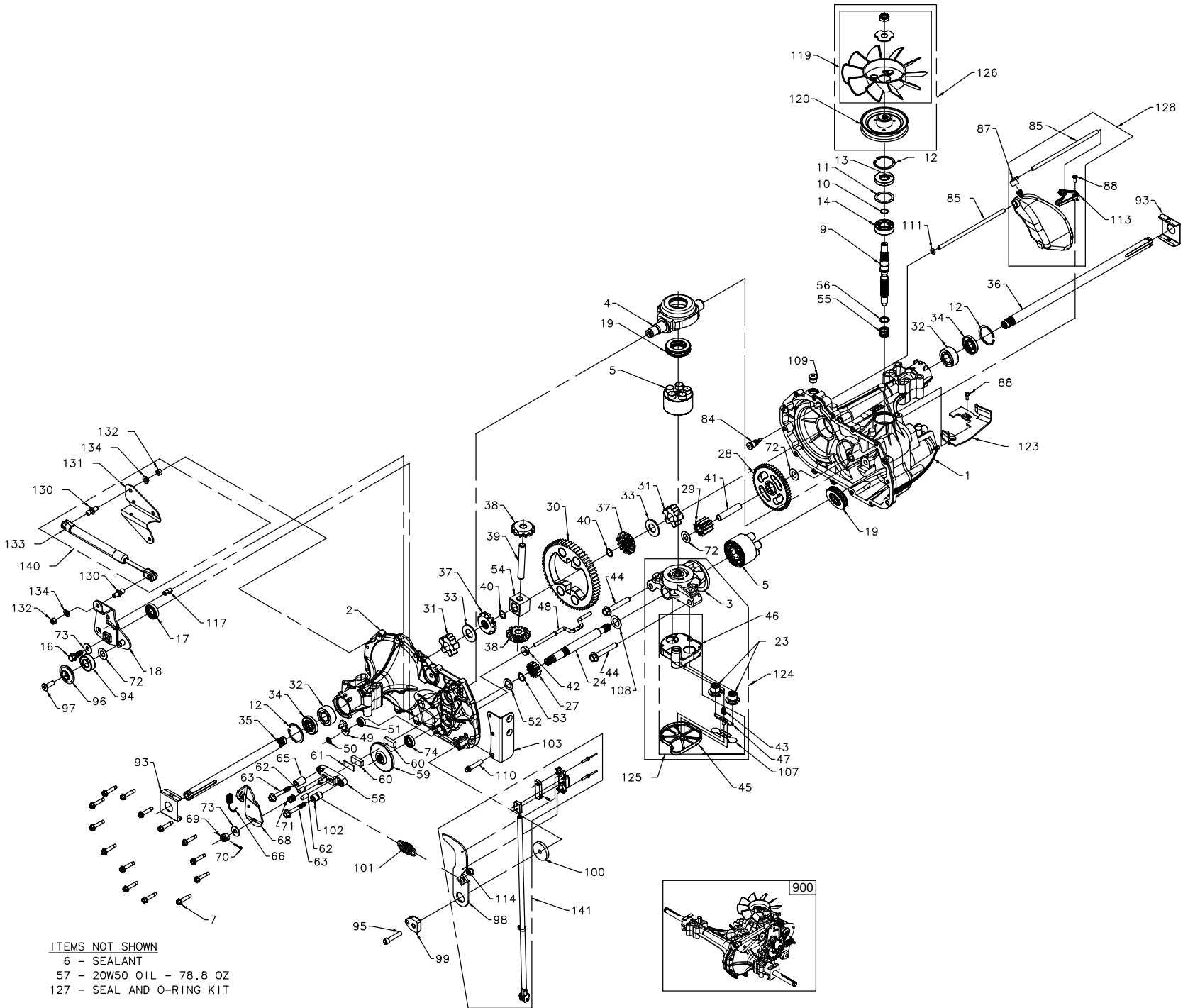
MOWER DECK

KEY NO.	PART NO.	DESCRIPTION
1	532 40 29-99	Mower Housing
6	532 19 51-86	Arm Suspension
8	532 19 30-03	Bolt/Washer asm 7/16-20 unf
11	532 13 89-71	Blade, 42" Hi-Lift (For bagging or discharge)
--	532 13 41-49	Blade, 42" Mulching Std (For mulching mowers only)
--	532 13 97-75	Blade, 42" Mulching Premium (For better wear when mulching)
13	532 19 28-72	Shaft Assembly, Mandrel
14	532 18 72-81	Housing, Mandrel
15	532 11 04-85	Bearing, Ball, Mandrel
16	532 17 44-93	Stripper, Mower Deck
19	532 19 65-39	Bolt, Shoulder
20	532 15 97-70	Baffle, Vortex
21	873 68 05-00	Nut, Crownlock 5/16-18 unc
23	532 19 25-57	Bracket, Deflector
24	532 10 53-04	Cap, Sleeve
25	532 19 70-26	Spring, Torsion, Deflector
26	532 11 04-52	Nut, Push
27	532 40 30-04	Shield, Deflector
29	532 13 14-91	Rod, Hinge
30	532 17 39-84	Screw Thdrol Rolling Wsh Hd
31	532 18 76-90	Washer, Spacer
32	532 17 34-36	Pulley, Mandrel

KEY NO.	PART NO.	DESCRIPTION
33	532 40 02-34	Nut, Toplock, Flanged
34	872 11 06-12	Bolt Carr Sh. 3/8-16 x 1-1/2 Gr. 5
36	532 19 61-06	Pulley, Idler, Flat
40	873 90 06-00	Nut, Lock Flg. 3/8-16 unc
55	532 19 72-49	Arm, Idler
56	532 19 90-92	Spacer, Retainer
57	817 00 06-16	Screw 3/8-16 x 1
59	532 14 10-43	Guard, Tuv Idler
62	872 11 06-16	Bolt Rd Hd Sq Nk 3/8-16 unc x 2
68	532 14 49-59	V-Belt
69	872 14 05-05	Bolt
116	532 19 34-06	Bolt, Shoulder
117	532 17 48-73	Wheel, Gauge
145	532 17 79-68	Pulley Idler
188	532 19 51-61	Stud Fastener
189	873 90 05-00	Nut Lock Hex Flange
190	532 19 72-51	Spring Mower Drive
196	819 13 20-12	Washer 13/32 x 1-1/4 x 12 Ga.
--	532 19 28-70	Mandrel Assembly (Includes housing, shaft and shaft hardware only-pulley not included)
--	532 40 12-24	Replacement Mower, Complete

NOTE: All component dimensions given in U.S. inches
1 inch = 25.4 mm

**TRACTOR - MODEL NO. 917.279180 (YTH2242T)
HYDRO TRANSAXLE - - MODEL NUMBER 356-0510**



ITEMS NOT SHOWN

- 6 - SEALANT
- 57 - 20W50 OIL - 78.8 OZ
- 127 - SEAL AND O-RING KIT

TRACTOR - MODEL NO. 917.279180 (YTH2242T)

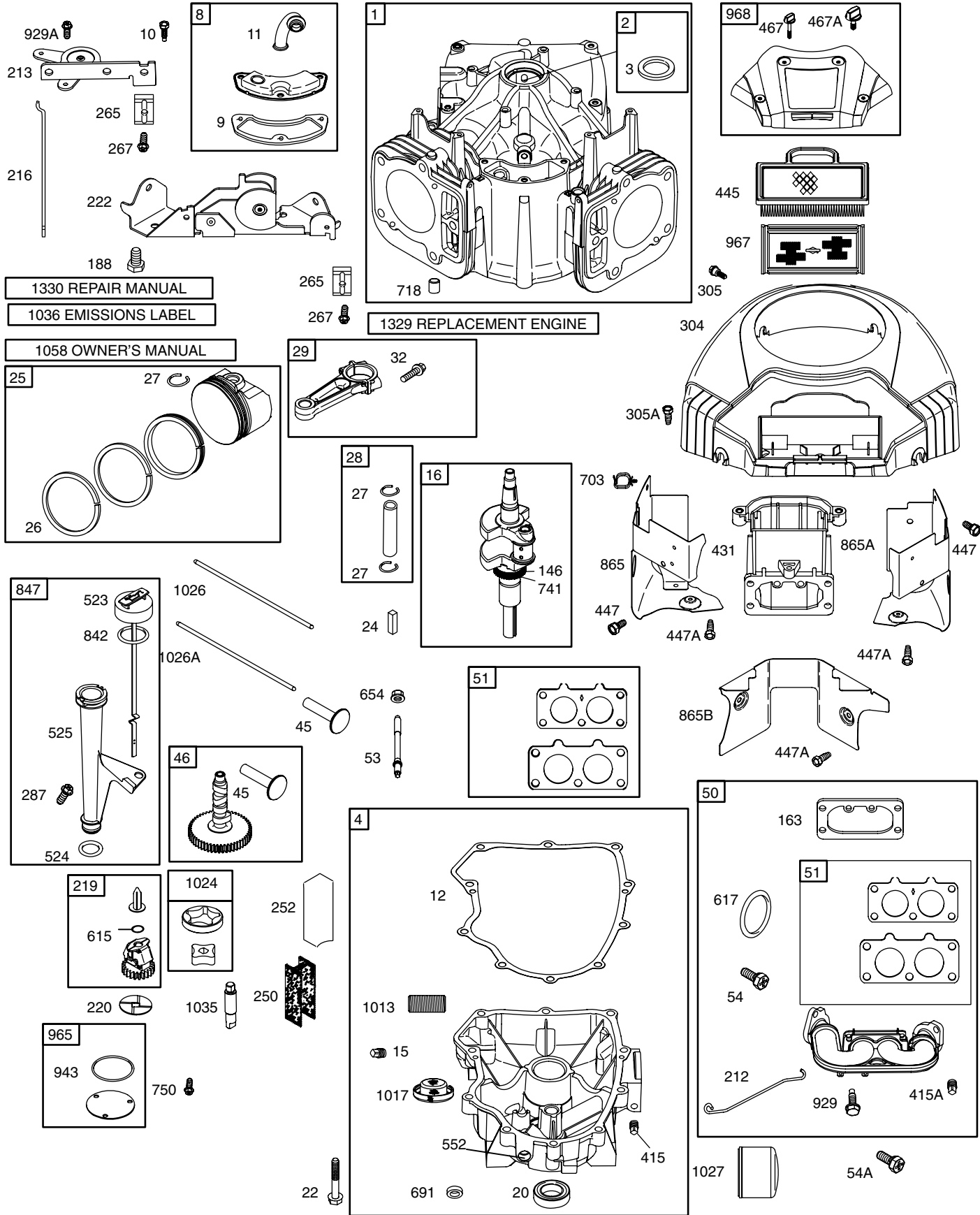
HYDRO TRANSAXLE - - MODEL NUMBER 356-0510

KEY NO.	PART NO.	DESCRIPTION	KEY NO.	PART NO.	DESCRIPTION
1	170351	Kit, Main Housing	93	170431	Spring Clip, Housing
		Main Housing, Machined	94	178783	Bearing, Ball
		Bushing.865 X.985 X.790	95	178784	Screw, 5/16-24x 1 1/2 Socket Head Cap (310-3000)
2	170352	Kit, Side Housing	96	178786	Spacer, Locating
		Side Housing, Machined	97	178787	Screw (310-3000)
		Bushing.865 X.985 X.790	98	404027	Arm, Return
		Bushing.624 X.719 X.562	99	178792	Puck, Adjusting
3	170353	Kit, Center Section	100	178793	Washer, .325 OD x1.6 ldx.15 Tk
		Center Section, Machined	101	178794	Spring, Extension
		Bushing.707 X.788 X.591	102	178795	Spacer, .56 ODx.26 ID X.87
4	170354	Swashplate, Trunnion Machined	103	178796	Bracket, Torque
5	169898	Kit, Cylinder Block (1000)	107	170432	Deflector
		Block - Cylinder	108	170433	Washer, Motor Shaft.71 ldx X 1.150d X .03 Thick
		Piston	109	170434	Plug, Straight Thread 9/16-18
		Spring, Compression	110	161159	Screw, Torx Head 5/16-18 (310-3000)
		Washer Thrust	111	170435	O-ring .7 X .301 ID
6	178322	Sealant Tube	113	170437	Bracket, Support Expansion Tank
7	170356	Hex Flange Screw 1/4-20 X 1.25	114	178797	Spring Guide
9	170358	Shaft, Input	117	178799	Pin, Spring 5/16 X.75
10	170359	Retaining Ring	119	191031	Kit, Fan - Washer - Nut
11	170360	Spacer			Fan, 7 In
12	169870	Retaining Ring			Hex Lock Nut 1/2-20 (Nylon Insert)
13	170361	Seal, Lip.67 X 1.58 X.276	120	170440	Washer, OR Slotted, .53 X 1.63 X.06
14	173158	Bearing, Ball 6203 (Bdr)	123	401265	Pulley
16	170362	Hex Flange Head Screw 1/4-20 X 1.25	124	191033	Belt Keeper
17	170363	Seal, Lip 18 X 32 X 7			Center Section Filter Bypass Assembly
18	178781	Arm, Control			Center Section
19	173159	Bearing, Thrust (10cc)			Base Filter W/ Poppet
23	170420	Check Plug Assembly, .027 Washer			Check Plug Assembly,.027 Washer Spring,
24	170366	Shaft Motor			Bypass Actuator,
27	170367	Gear, Pinion, 13t			Bypass Deflector Bottom,
28	170368	Gear 1 OT / 48t			Filter Bushing,.707 X.788 X.591
29	170369	Gear, 1 OT Jackshaft			Kit, Filter
30	170370	60T Bullgear			Bottom, Filter Spring,
31	170371	Sleeve Bearing.75 X 1.75 X.625	125	170445	Bypass Actuator,
32	170389	Sleeve Bearing (Outboard).75 X 1.575 X.625			Bypass Deflector
33	142991	Washer			Base, Filter W/ Poppet
34	170390	Lip Seal, Axle Shaft			Kit, Fan/pulley
35	170391	Shaft, Axle (Keyed, R.H.)			Hex Jam 1/20-20
36	170392	Shaft, Axle (Keyed, L.H.)	126	170446	(Nylon Inser) Washer, OD Slotted, .53 X 1.63 X.06
37	401260	Miter Gear (Splined)			Fan, 7 In
38	401261	Miter Gear			Pulley
39	150809	Differential Shaft (310-0750)	127	170447	Kit, Seal
40	170393	Retaining Ring			Lip Seal.67 X 1.58 X.276
41	170394	Pin, Jackshaft			Lip Seal 18 X 32 X 7
42	170395	Magnet, Ring			Lip Seal .706 X 1.584 X .25
43	170396	Spring, Bypass			Lip Seal.741 X.250 X.250 TC
44	150797	Bolt 3/8-24 X 2-1/2			Oil Seal.625 X1.0x.25
45	170397	Filter			O-ring.07x.301 ID
46	170398	Base, Filter	128	401266	Kit, Expansion Tank
47	170399	Actuator, Bypass			Tank,
48	170400	Rod, Bypass Actuator			Expansion Assembly Cap,
49	196599	Arm, Bypass			Barbed Vent
50	170402	Retaining Ring.25 External			Bolt, Self Tapping 10-32 X 1/2
51	170403	Seal, Lip.741 X.25 X.25			Bracket, Support Expansion Tank
52	170404	Washer, Flat 0.050" (210-1000)			Hose,
53	170405	Retaining Ring			Expansion Tank
54	170406	Bearing, Center Block			Stud, Threaded Ball
55	142977	Spring, Helical Compression			Bracket, Cruise/Damper
56	142978	Washer, Block Thrust			Nut 5/16-18
57	20vv-50	Oil			Damper
58	142929	Kit, Brake Yoke	130	178802	Washer, 5/16 Lock
59	170408	Rotor, Brake	131	178803	Kit, Damper
60	142883	Brake Puck	132	178804	Stud, Threaded Ball Bracket,
61	142882	Brake Puck Plate	133	184227	Cruise/Damper
62	170409	Pin, Brake Actuating	134	178808	Hex Nut 5/16-18 NC Damper
63	170410	HFHCS 1/4-20 X 2 W/patch, Special Flange	140	191030	Washer, Helical Spring Lock 5/16, Regular
65	170411	Spacer, Brake Torsion Spring			Kit, Lt Rcs
66	189386	Spring, Brake Arm Bias			Arm, Return
68	404026	Arm-brake, RH			Spring Guide
69	170415	Nut, Castle 5/16-24	141	404030	Switch, RCS Activator,
70	170416	Pin, Cotter 3/32x3/4			RCS Switch Spring,
71	170417	Brake Spring			RCS Switch Retainer,
72	170418	Washer (310-0750)			RCS Switch Rivet 5/32
73	142884	Washer, Flat			Transaxle Assembly-Complete
74	170419	Seal, Oil			
84	170425	Fitting, 5/16 X Sae 5/32 Tube			
85	170426	Hose, Expansion Tank			
87	401264	Cap, Barbed Vent	900	400506	
88	178334	Bolt, Self Tapping (BDR)			

REPAIR PARTS

TRACTOR - - MODEL NUMBER 917.279180

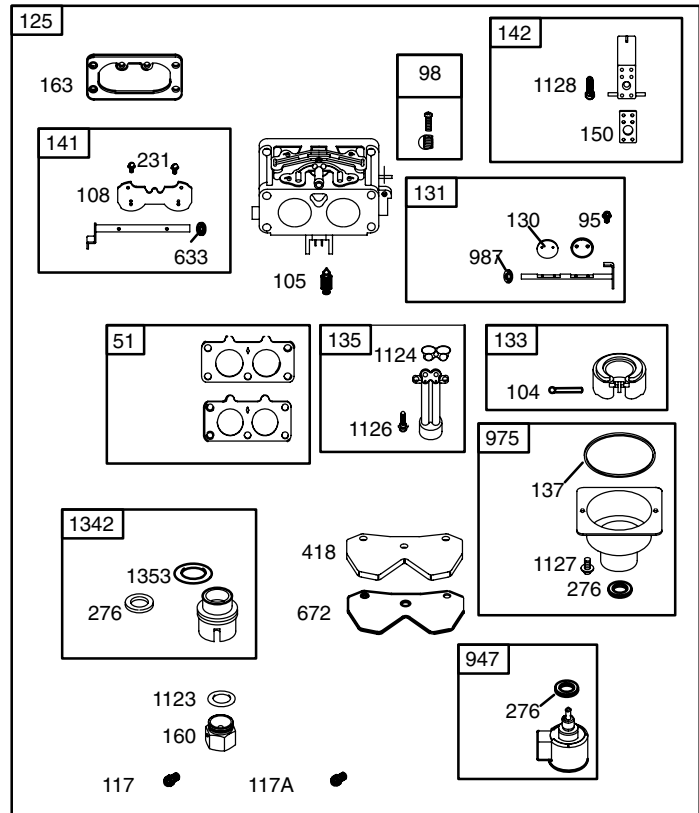
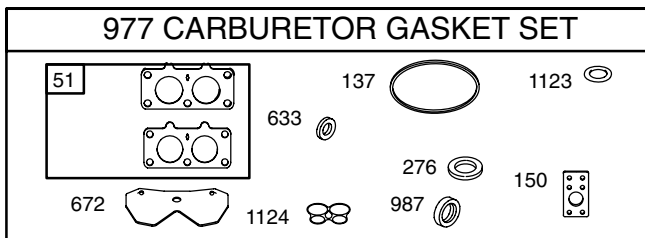
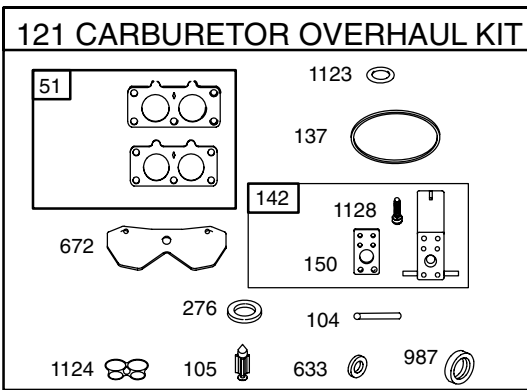
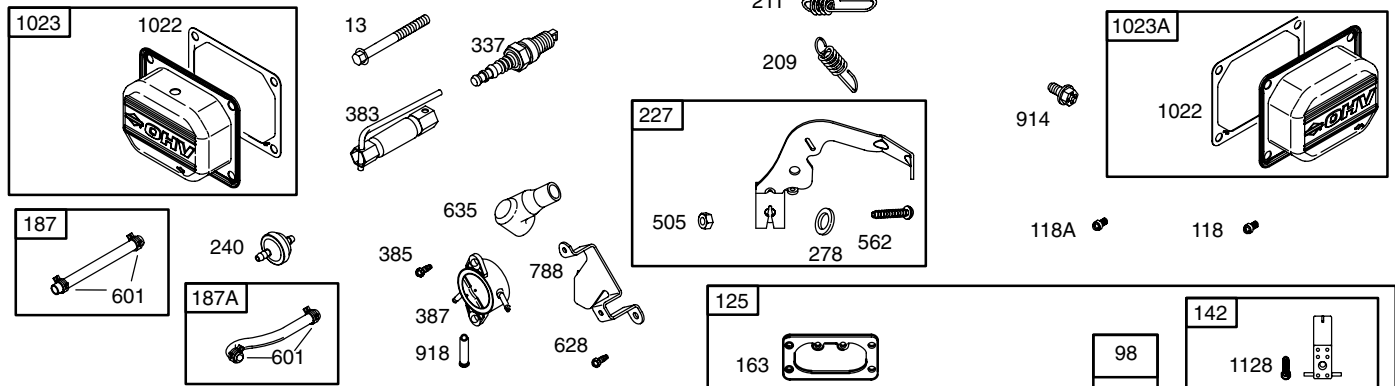
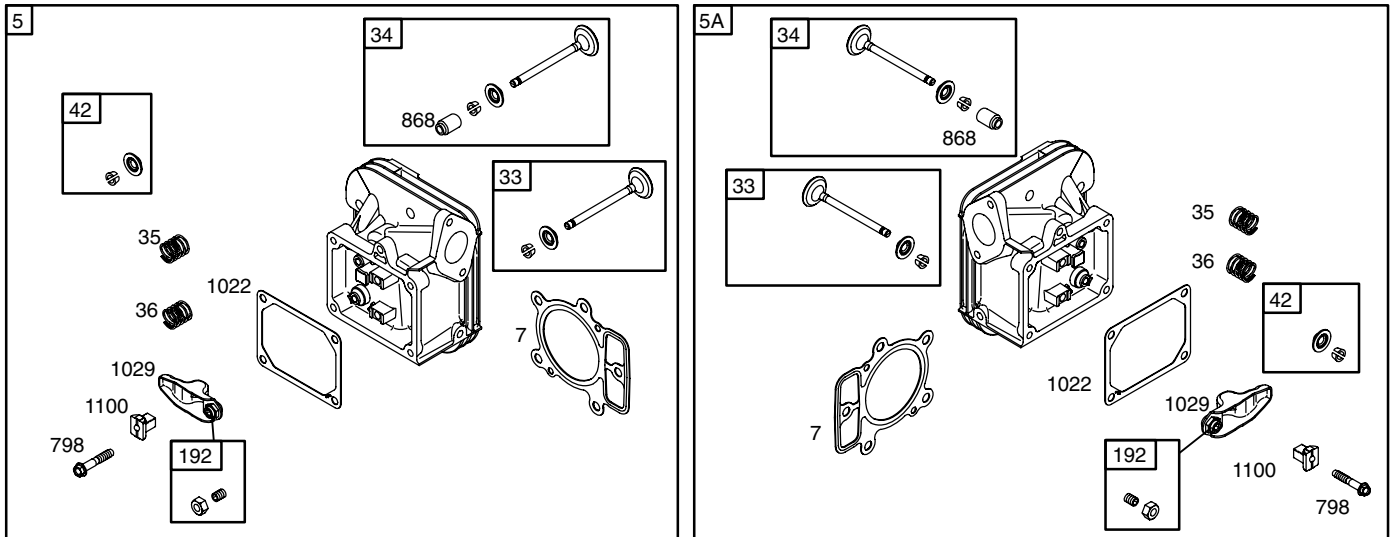
BRIGGS ENGINE - MODEL NUMBER 441777, TYPE NUMBER 0284-E1



REPAIR PARTS

TRACTOR - - MODEL NUMBER 917.279180

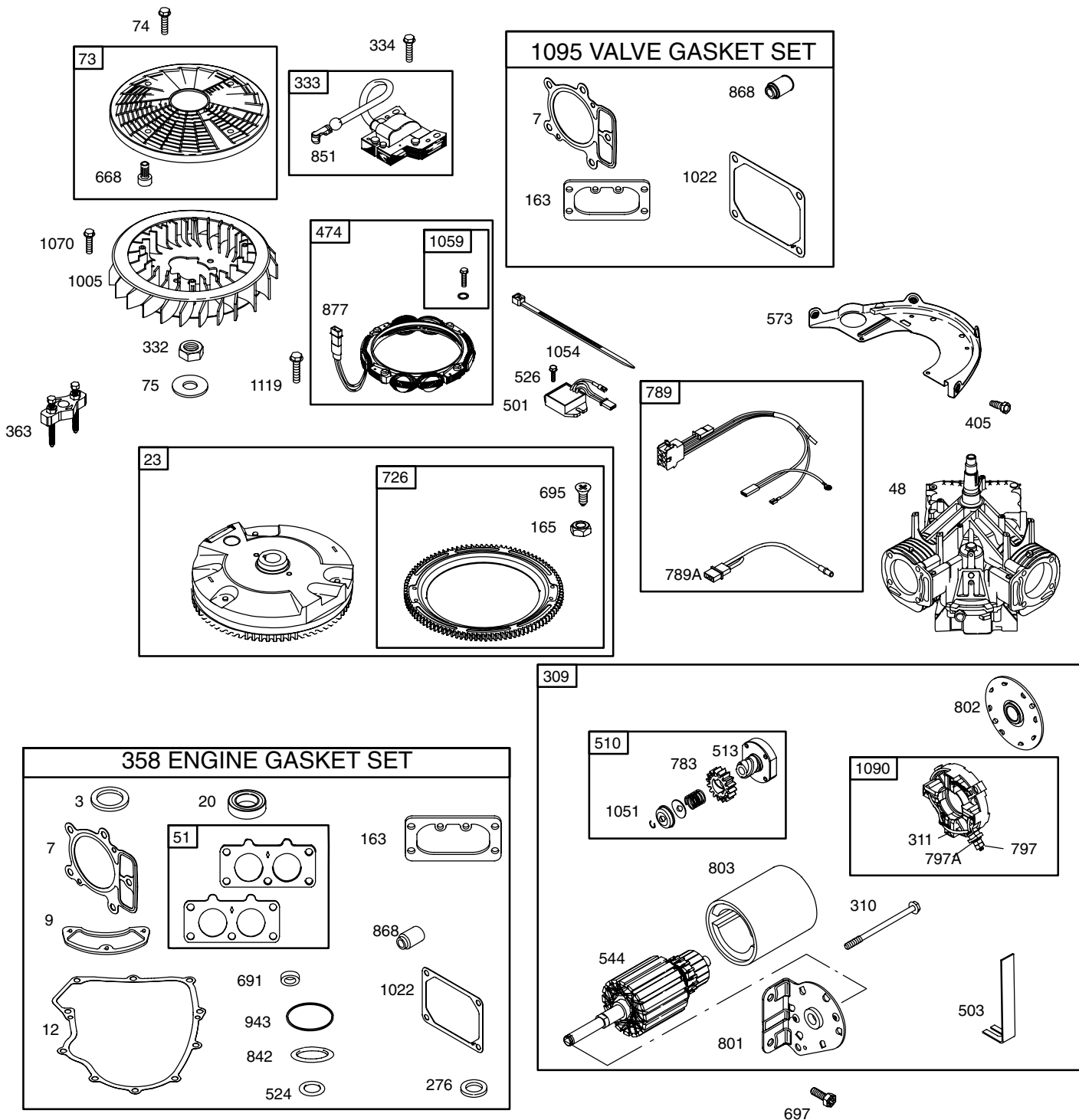
BRIGGS ENGINE - MODEL NUMBER 441777, TYPE NUMBER 0284-E1



REPAIR PARTS

TRACTOR - - MODEL NUMBER 917.279180

BRIGGS ENGINE - MODEL NUMBER 441777, TYPE NUMBER 0284-E1



REPAIR PARTS

TRACTOR - - MODEL NUMBER 917.279180

BRIGGS ENGINE - MODEL NUMBER 441777, TYPE NUMBER 0284-E1

KEY NO.	PART NO.	DESCRIPTION	KEY NO.	PART NO.	DESCRIPTION
1	699753	Cylinder Assembly	121	699734	Kit-Carburetor Overhaul
2	499585	Kit-Bushing/Seal (Magneto Side)	125	699709	Carburetor
3	391086s•	Seal-Oil (Magneto Side)	127	698810	Plug-Welch
4	699747	Sump-Engine	130	690993	Valve-Throttle
5	693998	Head-Cylinder (Cylinder 1)	131	499805	Kit-Throttle Shaft
5A	693999	Head-Cylinder (Cylinder 2)	133	699724	Float-Carburetor
7	693997	•+ Gasket-Cylinder Head	135	699729	Tube-Fuel Transfer
8	792185	Breather Assembly	137	690994	Ø Gasket-Float Bowl
9	690937	• Gasket-Breather	141	699722	Kit-Choke Shaft
10	691108	Screw (Breather Assembly)	142	699726	Nozzle-Carburetor
11	792184	Tube-Breather	146	690979	Key-Timing
12	697227	• Gasket-Crankcase	150	690995	Gasket-Nozzle
13	791130	Screw (Cylinder Head)	160	699727	Retainer-Solenoid
15	690946	Plug-Oil Drain	163	691001	Gasket-Air Cleaner
16	699700	Crankshaft	165	693148	Nut (Ring Gear)
20	690947	• Seal-Oil (PTO Side)	187	791766	Line-Fuel (Cut to Required Length)
22	694966	Screw (Engine Sump)	187A	791744	Line-Fuel (Molded)
23	691053	Flywheel	188	691108	Screw (Control Bracket)
24	222698s	Key-Flywheel	192	690083	Adjuster-Rocker Arm
25	792117	Piston Assembly (Standard)	209	697674	Spring-Governor
25	792144	Piston Assembly (.020" Oversize)	211	691019	Spring-Governed Idle
26	792026	Ring Set-Piston (Standard)	212	695238	Link-Throttle
26	792073	Ring Set-Piston (.020" Oversize)	213	691021	Bracket-Choke Control
27	690975	Lock-Piston Pin	216	691022	Link-Choke
28	690229	Pin-Piston	219	698231	Gear-Governor
29	699699	Rod-Connecting	220	690412	Washer (Governor Lever)
32	690976	Screw (Connecting Rod)	222	698761	Bracket-Control
33	499596	Valve-Exhaust	227	792492	Lever-Governor Control
34	697464	Valve-Intake	231	690718	Screw (Choke Valve)
35	690963	Spring-Valve (Intake)	240	691035	Filter-Fuel
36	690963	Spring-Valve (Exhaust)	250	690957	Retainer-Breather
42	499586	Keeper-Valve	252	690956	Collector-Oil
45	690977	Tappet-Valve	265	691024	Clamp-Casing
46	790562	Camshaft	267	695134	Screw (Casing Clamp)
48	698172	Short Block	276	690997	Ø+ Washer-Sealing
50	695241	Manifold-Intake	287	691108	Screw (Dipstick Tube)
51	791677	• Ø‡ Gasket-Intake	304	695277	Housing-Blower
53	690951	Stud (Carburetor)	305	691005	Screw (Blower Housing)
54	699816	Screw (Intake Manifold)	305A	790690	Screw (Blower Housing)
54A	695239	Screw (Intake Manifold)	309	497595	Motor-Starter
73	499439	Screen-Rotating	310	690323	Bolt-Starter Motor
74	698425	Screw (Rotating Screen)	311	497608	Brush Set
75	691056	Washer (Flywheel)	332	691059	Nut (Flywheel)
95	690718	Screw (Throttle Valve)	333	691060	Armature-Magneto
98	699721	Kit-Idle Speed	334	691061	Screw (Magneto Armature)
104	694918	Ø Pin-Float Hinge	337	491055s	Plug-Spark
105	698537	Ø Valve-Float Needle	358	694012	Set-Engine Gasket
108	699723	Valve-Choke			
117	699732	Jet-Main (Standard)	•	Included in Engine Gasket Set, Key. No. 358	
117A	699733	Jet-Main (Standard)	Ø	Included in Carburetor Overhaul Kit, Key. No. 121	
118	699733	Jet-Main (High Altitude)(Left)	‡	Included in Carburetor Gasket Set, Key. No. 977	
118A	699458	Jet-Main (High Altitude (Right)	+	Included in Valve Gasket Set, Key. No. 1095	

NOTE: All component dimensions given in U.S. inches 1 inch = 25.4 mm

REPAIR PARTS

TRACTOR - - MODEL NUMBER 917.279180

BRIGGS ENGINE - MODEL NUMBER 441777, TYPE NUMBER 0284-E1

KEY NO.	PART NO.	DESCRIPTION	KEY NO.	PART NO.	DESCRIPTION
363	19203	Flywheel Puller	801	691283	Cap-Drive
383	19374	Wrench-Spark Plug	802	691286	Cap-End
385	691108	Screw (Fuel Pump)	803	693757	Housing-Starter
387	808656	Pump-Fuel	842	691031	• Seal-Dipstick/Tube
404	690442	Washer (Governor Crank)	847	499602	Dipstick/Tube Assembly
405	697820	Screw (Back Plate)	851	493880s	Terminal-Spark Plug
415	690283	Plug (Crankcase Cover/Sump)	865	691012	Cover-Air Guide
415A	690283	Plug (Intake Manifold)	865A	691014	Cover-Air Guide
418	690999	Plate-Carburetor	865B	691015	Cover-Air Guide
431	790816	Elbow-Intake	868	690968	•+ Seal-Valve
445	499486s	Filter-Air Cleaner Cartridge	877	399916	Wire/Connector-Alternator
447	691003	Screw (Air Guide Cover)	914	691127	Screw (Rocker Cover)
447A	691108	Screw (Air Guide Cover)	918	694000	Hose-Vacuum
467	691008	Knob-Air Cleaner	929	691003	Screw (Choke Control Bracket)
467	790697	Knob-Air Cleaner	943	690589	• Seal-O Ring (Oil Pump Cover)
474	696458	Alternator	947	699728	Solenoid-Fuel
501	691185	Regulator	965	499613	Cover-Oil Pump
503	691532	Strap-Ground	967	273638s	Filter-Pre Cleaner
505	691029	Nut (Governor Control Lever)	968	790689	Cover-Air Cleaner
510	696541	Drive-Starter	975	499810	Bowl-Float
513	692024	Clutch-Drive	977	699735	Gasket Set-Carburetor
523	691036	Dipstick	987	691000	∅ Seal-Throttle Shaft
524	691032	• Seal-Dipstick Tube	1005	790698	Fan-Flywheel
525	691037	Tube-Dipstick	1013	690954	Nipple-Oil Filter
526	691108	Screw (Regulator)	1017	690770	Screen-Oil Pump
544	692034	Armature-Starter	1022	690971	•+ Gasket-Rocker Cover
552	690552	Bushing-Governor Crank	1023	499599	Cover-Rocker (Cylinder 1)
552A	690553	Bushing-Governor Crank	1023A	499600	Cover-Rocker (Cylinder 2)
562	690311	Bolt (Governor Control Lever)	1024	499054	Pump-Oil
573	790444	Plate-Back	1026	690981	Rod-Push (Steel)
601	691038	Clamp-Hose	1026A	690982	Rod-Push (Aluminum)
615	698290	Retainer-Governor Shaft	1027	492932s	Filter-Oil
616	691045	Crank-Governor	1029	690972	Arm-Rocker
617	697891	Seal-O Ring (Intake Manifold)	1035	691042	Shaft-Pump
628	691108	Screw (Fuel Pump Bracket)	1036	792019	Label-Emissions
633	690998	∅ Seal-Choke/Throttle Shaft	1051	691265	Ring-Retaining
635	66538s	Boot-Spark Plug	1054	280275	Tie-Cable
654	690958	Nut (Carburetor)	1058	276245	Owner's Manual
668	691215	Spacer	1059	698516	Kit-Screw/Washer
672	690234	Gasket-Carburetor Plate	1070	690372	Screw (Flywheel Fan)
691	790574	• Seal-Governor Shaft	1090	691293	Retainer-Brush
695	693149	Screw (Ring Gear)	1095	699735	Kit-Valve Overhaul
697	690372	Screw (Drive Cap)	1100	791959	Pivot-Rocker Arm
703	691010	Clip	1119	691183	Screw (Alternator)
718	690959	Pin-Locating	1123	699725	Seal-O Ring (Solenoid Retainer)
726	499612	Gear-Ring	1124	690988	Seal-O Ring (Fuel Transfer Tube)
741	690980	Gear-Timing			
742	690328	Retainer-E Ring	1126	690991	Screw (Fuel Transfer Tube)
750	696999	Screw (Oil Pump Cover)	1127	690992	Screw (Float Bowl)
783	695708	Gear-Pinion	1128	690990	Screw (Carburetor Nozzle)
788	691039	Bracket-Fuel Pump	1329	441777-0027	Replacement Engine
789	698330	Harness-Wiring	1330	273521	Repair Manual
789A	790544	Harness-Wiring	1342	699731	Extension-Fuel Transfer Tube
797	691029	Nut (Brush Retainer)			
797A	693167	Nut (Brush Retainer)			
798	697890	Screw (Rocker Arm)			

- Included in Engine Gasket Set, Key. No. 358
- ∅ Included in Carburetor Overhaul Kit, Key. No. 121
- ‡ Included in Carburetor Gasket Set, Key. No. 977
- + Included in Valve Gasket Set, Key. No. 1095

NOTE: All component dimensions given in U.S. inches 1 inch = 25.4 mm