

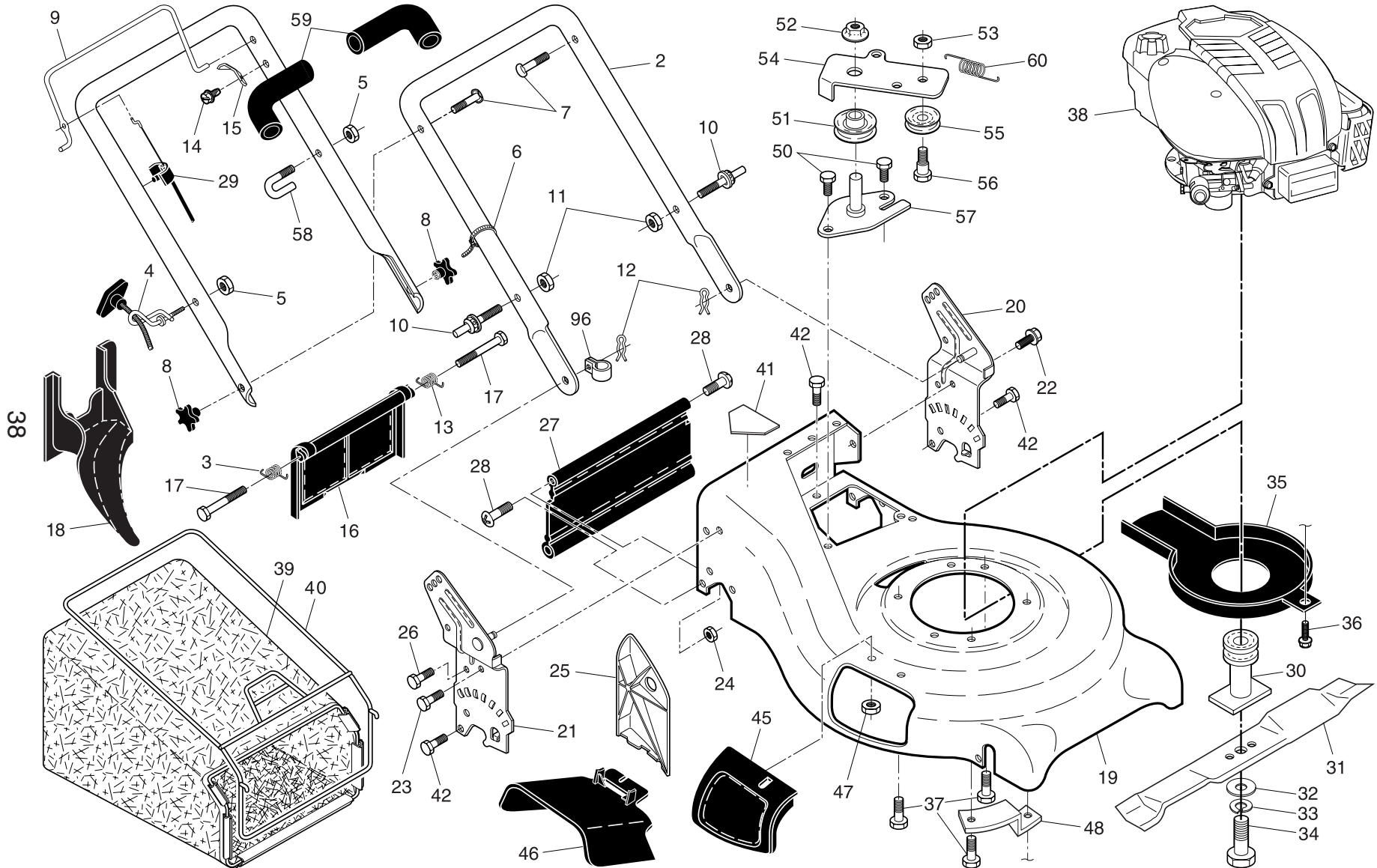
Walk Mower

917.375830

.



CRAFTSMAN ROTARY LAWN MOWER - - MODEL NUMBER 917.375830



REPAIR PARTS

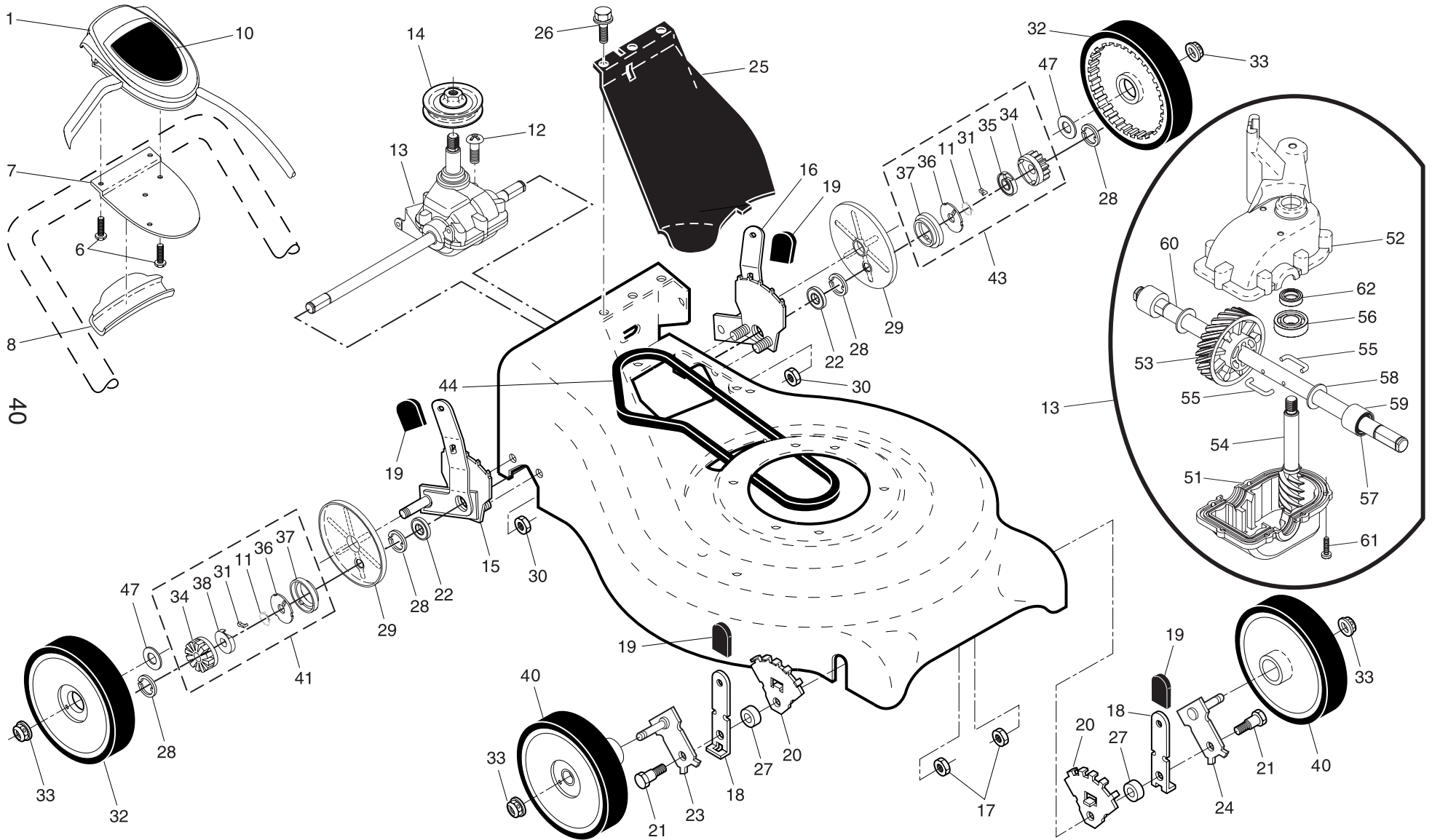
CRAFTSMAN ROTARY LAWN MOWER - - MODEL NUMBER 917.375830

KEY NO.	PART NO.	DESCRIPTION	KEY NO.	PART NO.	DESCRIPTION	KEY NO.	PART NO.	DESCRIPTION
1	199982	Upper Handle Assembly (Includes Foam Grip)	23	163183	Bolt, Hex Head 5/16-18 x 5/8	46	169699X418	Discharge Guard
2	193664X498	Handle, Lower	24	73800500	Nut, Hex, with Lockwasher Insert 5/16-18	47	88349	Nut, Hex
3	186053	Spring, Rear Door, RH	25	161333	Baffle, Side	48	188839X004	Mounting Bracket, Debris Shield
4	194788	Rope Guide	26	163409	Screw #12 x 5/8	50	57808	Screw
5	132004	Nut, Hex, with Lockwasher Insert 1/4-20	27	192876	Skirt, Rear	51	193791	Pulley, Idler
6	66426	Wire, Tie	28	88652	Screw, Hinge 1/4-20 x 1.25	52	145212	Flanged Nut
7	191574	Bolt, Handle 5/16-18 x 2-5/8	29	191221	Cable, Operator Presence	53	155552	Locknut
8	185588	Knob, Handle	30	189179	Blade Adapter / Pulley	54	193792X004	Idler Arm
9	194580X422	Control Bar	31	189028	Blade, 21"	55	166043	Idler Pulley
10	188821	Pin, Handle Adjustment	32	851074	Washer	56	160829	Shoulder Bolt
11	73930500	Nut, Hex	33	850263	Washer, Lock	57	193315	Bracket Assembly
12	51793	Cotter, Hairpin	34	851084	Bolt, Hex Head	58	182003	Clip, Wireform (Packaging)
13	186052	Spring, Rear Door, LH	35	188786	Debris Shield	59	182748	Grip, Foam
14	750634	Screw	36	192325	Bolt	60	182226	Spring, Return
15	850733X004	Bracket, Upstop	37	150406	Bolt, Engine	96	197991	Clip, Cable
16	185855X428	Rear Door Assembly	38	- - -	Engine, Briggs & Stratton, Model Number 128602- 0551-E1 (See Breakdown)	- -	161058	Warning Decal (not shown)
17	184193	Bolt, Rear Door				- -	402780	Owner's Manual, English / Spanish
18	198170	Plug, Mulcher	39	401683	Grassbag	Available accessories not included with mower:		
19	402549	Kit, Housing	40	194644	Frame, Grassbag	- -	71 33623	Gas Can (2.5 Gallon Container)
20	192980X479	Handle Bracket Assembly, LH	41	85463	Danger Decal	- -	71 33500	Fuel Stabilizer
21	192979X479	Handle Bracket Assembly, RH	42	54583	Screw	- -	71 33000	SAE 30W Oil (20 Ounce Bottle)
22	150078	Screw, Hex Washer Head	45	183058X418	Mulcher Door Assembly			

NOTE: All component dimensions given in U.S. inches. 1 inch = 25.4 mm.

IMPORTANT: Use only Original Equipment Manufacturer (O.E.M.) replacement parts. Failure to do so could be hazardous, damage your lawn mower and void your warranty.

CRAFTSMAN ROTARY LAWN MOWER -- MODEL NUMBER 917.375830



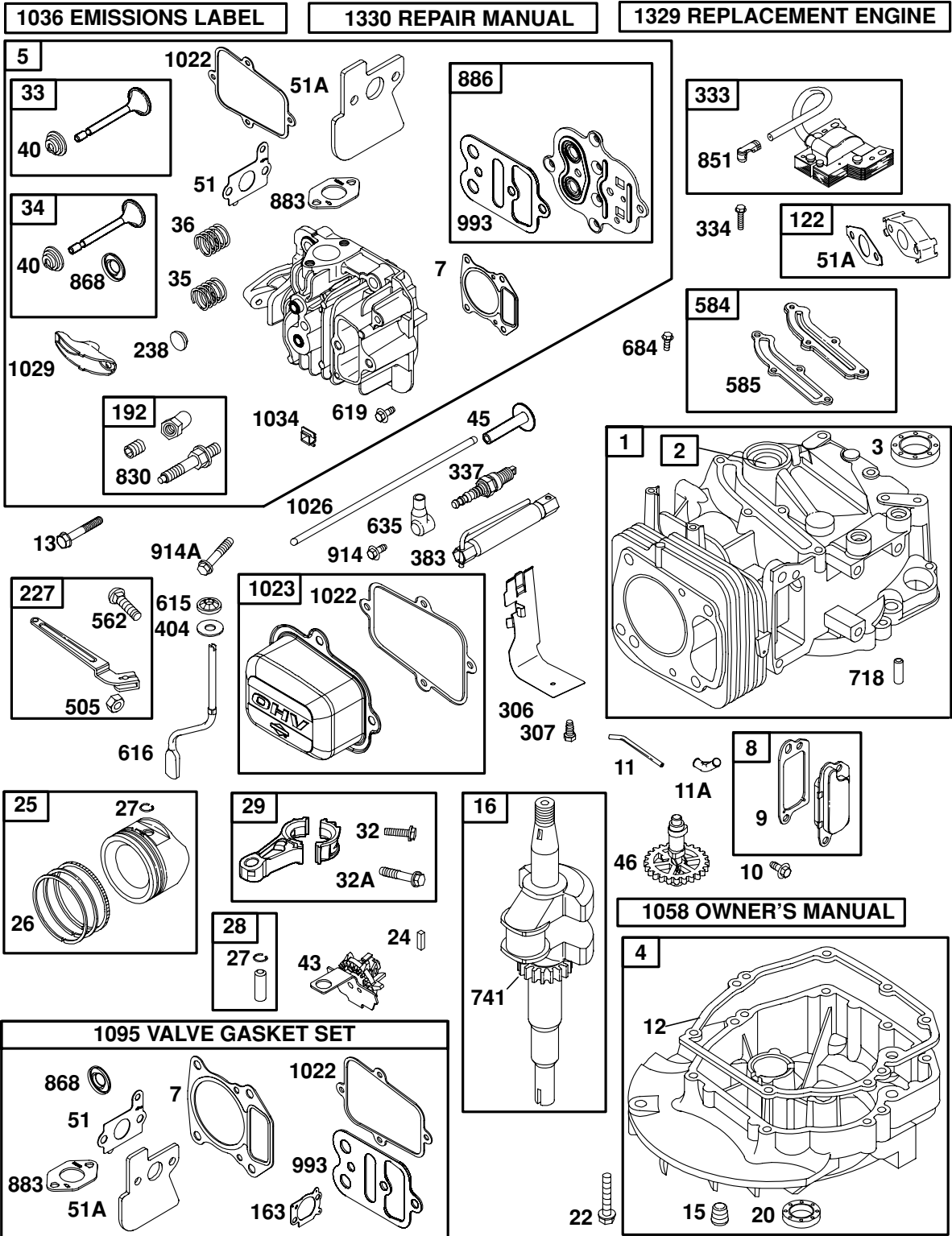
CRAFTSMAN ROTARY LAWN MOWER - - MODEL NUMBER 917.375830

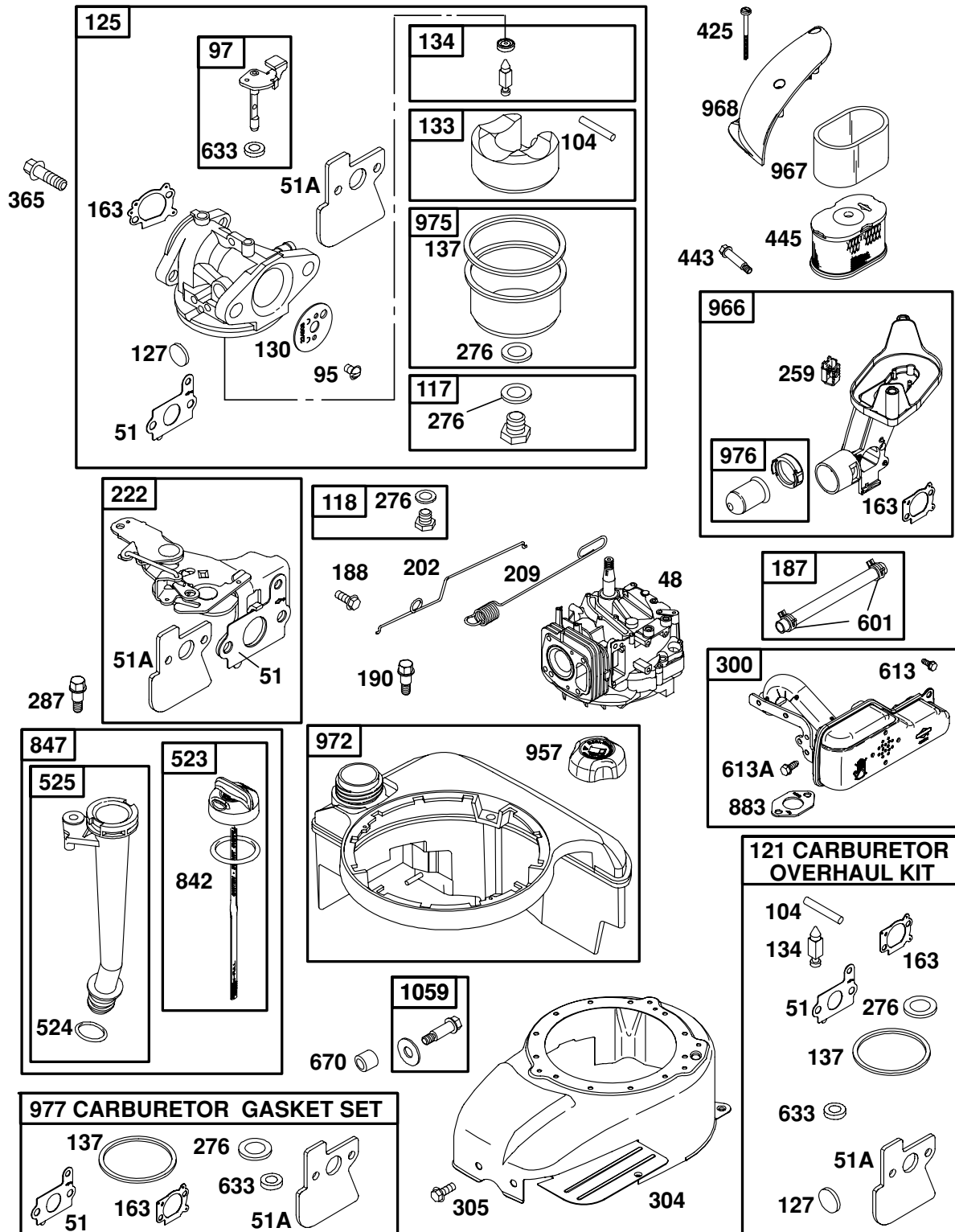
KEY NO.	PART NO.	DESCRIPTION	KEY NO.	PART NO.	DESCRIPTION
1	403326	Drive Control Assembly (Includes Cable)	28	12000058	E-Ring 7/16
2	195745	Cover, Top	29	189403	Cover, Dust, Wheel
3	187353	Pulley	30	73800400	Nut, Hex
4	190039	Lever, Drive Control	31	175098	Pawl
5	195744	Cover, Bottom	32	193912X460	Wheel & Tire Assembly, Rear 8 x 1-3/4
6	181698	Screw	33	83923	Nut, Flangelock 3/8-16
7	400235X479	Mounting Bracket	34	175103	Gear
8	184987	Cap, Bottom	35	175105	Retainer, Drive, LH
9	196002	Cable, Drive	36	175104	Disc, Drive
10	189074	Decal, Drive Control Operation	37	184172	Seal, Friction
11	188291	Spring, Torsion	38	175102	Retainer, Drive, RH
12	750634	Screw	40	193909X460	Wheel & Tire Assembly, Front 8 x 1-3/4
13	193354	Gear Case Assembly, Complete	41	188330	Pinion Assembly, RH
14	193443	Pulley, Drive	43	188331	Pinion Assembly, LH
15	197235	Kit, Wheel Adjuster Assembly, RH (Includes Knob and Bearing)	44	183688	V-Belt
16	197234	Kit, Wheel Adjuster Assembly, LH (Includes Knob and Bearing)	47	67725	Washer
17	166785	Nut, Hex	51	187530	* Case, Lower
18	168360X004	Spring, Selector	52	187531	* Case, Upper
19	196401	Knob, Selector Spring	53	187532	Gear, 24 Teeth
20	160835X007	Bracket, Wheel Adjusting	54	187533	Shaft, Input
21	160828	Bolt, Shoulder, Hex Head	55	183505	Wire, Formed
22	169911	Bearing, Ball	56	183506	Bearing, Ball
23	186578X004	Axle Arm Assembly, RH	57	183508	Seal, Output Shaft
24	186577X004	Axle Arm Assembly, LH	58	183509	Washer
25	199775X418	Cover Drive	59	183511	Bushing
26	750634	Screw, Threaded, Rolled #10-25 x .50	60	197385	Shaft, Output
27	183901	Spacer	61	183513	Screw
			62	183514	Seal, Input Shaft

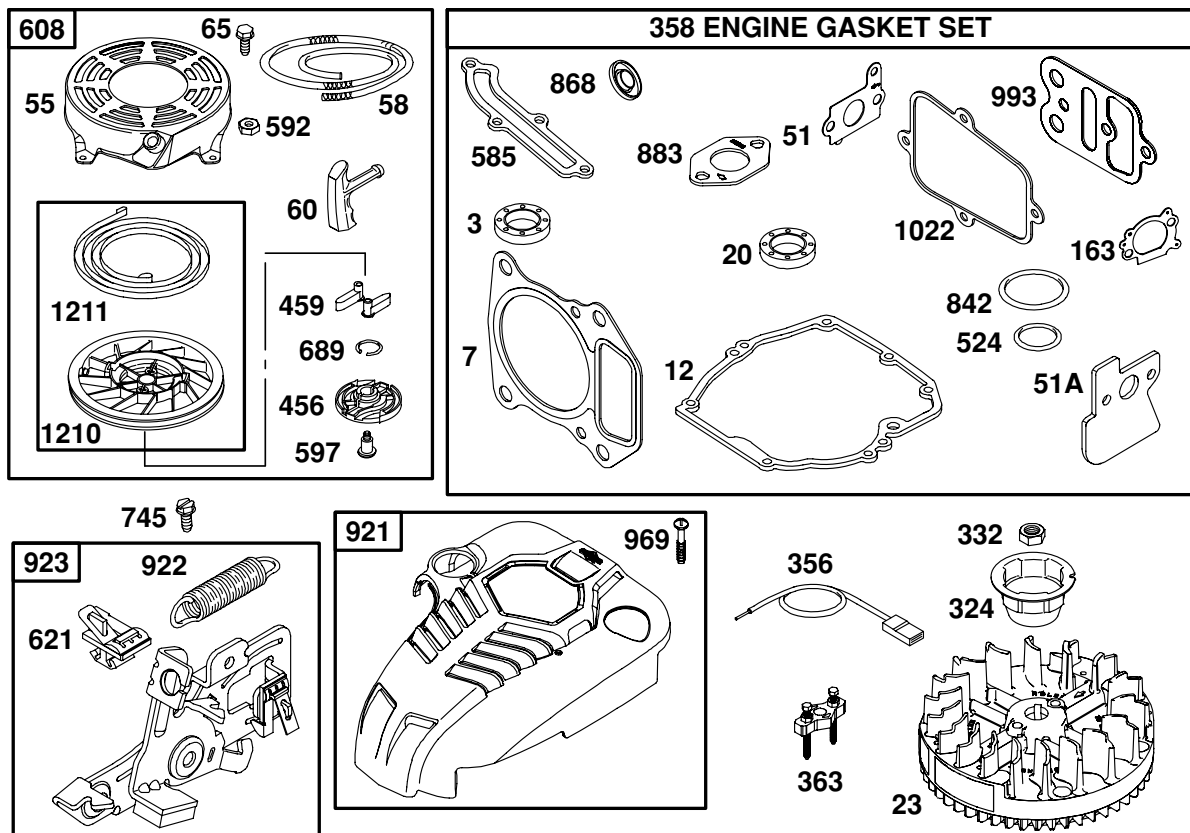
* Use Dow Corning #709 to reseal Gear Case Halves.

NOTE: All component dimensions given in U.S. inches. 1 inch = 25.4 mm.

IMPORTANT: Use only Original Equipment Manufacturer (O.E.M.) replacement parts. Failure to do so could be hazardous, damage your lawn mower and void your warranty.







KEY NO.	PART NO.	DESCRIPTION	KEY NO.	PART NO.	DESCRIPTION
1	692670	Cylinder Assembly	32	691664	Screw (Connecting Rod)
2	399269	Kit-Bushing/Seal	32A	695759	Screw (Connecting Rod)
3	299819s	• Seal-Oil (Magneto Side)	33	499642	Valve-Exhaust
4	493279	Sump-Engine	34	499641	Valve-Intake
5	792381	Head-Cylinder	35	691304	Spring-Valve (Intake)
7	697230	•+ Gasket-Cylinder Head	36	691304	Spring-Valve (Exhaust)
8	495786	Breather Assembly	40	692194	Retainer-Valve
9	699833	Gasket-Breather	43	691997	Slinger-Governor/Oil
10	691125	Screw (Breather Assembly)	45	690977	Tappet-Valve
11	691260	Tube-Breather	46	694039	Camshaft
11A	692937	Tube-Breather	48	692748	Short Block
12	692232	• Gasket-Crankcase	51	692668•	Ø‡+Gasket-Intake
13	691137	Screw (Cylinder Head)	51A	692555•	Ø‡+Gasket-Intake
15	691680	Plug-Oil Drain	55	691421	Housing-Rewind Starter
16	691456	Crankshaft	58	697316	Rope-Starter (Cut to Length)
20	399781s	• Seal-Oil (PTO Side)	60	281434	Grip-Starter Rope
22	691092	Screw (Engine Sump)	65	690837	Screw (Rewind Starter)
23	697610	Flywheel	95	691636	Screw (Throttle Valve)
24	222698s	Key-Flywheel	97	790121	Shaft-Throttle
25	791968	Piston Assembly (Standard)	104	691242	Ø Pin-Float Hinge
	791326	Piston Assembly (.020" Oversize)	117	498981	Jet-Main (Standard)
26	791969	Ring Set-Piston (Standard)	118	498978	Jet-Main (High Altitude)
	791324	Ring Set-Piston (.020" Oversize)	121	792383	Kit-Carburetor Overhaul
27	691866	Lock-Piston Pin	122	792382	Spacer-Carburetor
28	499423	Pin-Piston	125	790120	Carburetor
29	499424	Rod-Connecting	127	694468	Ø Plug-Welch
			130	696564	Valve-Throttle
			133	398187	Float-Carburetor

KEY NO.	PART NO.	DESCRIPTION	KEY NO.	PART NO.	DESCRIPTION
134	398188	Ø Valve-Needle/Seat	670	692294	Spacer-Fuel Tank
137	693981	Ø‡ Gasket-Float Bowl	684	690345	Screw (Breather Cover)
163	691894	•Ø‡+ Gasket-Air Cleaner	689	691855	Spring-Friction
187	791766	Line-Fuel (Cut to Length)	718	690959	Pin-Locating
188	691147	Screw (Control Bracket)	741	790345	Gear-Timing
190	690940	Screw (Fuel Tank)	745	691648	Screw (Brake)
192	694543	Ball-Rocker Arm	830	694544	Stud (Rocker Arm)
202	691303	Link-Mechanical Governor	842	691031	• Seal-O Ring (Dipstick Tube)
209	691851	Spring-Governor	847	692047	Assembly-Dipstick/Tube
222	697614	Bracket-Control	851	493880s	Terminal-Spark Plug
227	691467	Control Lever-Governor	868	692044	•+ Seal-Valve
238	691300	Cap-Valve	883	691893	•+ Gasket-Exhaust
259	691189	Bracket-Casing Clamp	886	696268	Gasket Kit -
276	271716	Ø‡ Washer-Sealing			Cylinder Head / Plate
287	690940	Screw (Dipstick Tube)	914	691108	Screw (Rocker Cover)
300	697590	Muffler	914A	691127	Screw (Rocker Cover)
304	695976	Housing-Blower	921	691465	Cover-Blower Housing
305	691108	Screw (Blower Housing)	922	692135	Spring-Brake
306	691232	Shield-Cylinder	923	695891	Brake
307	690345	Screw (Cylinder Shield)	957	692046	Cap-Fuel Tank
324	695161	Cup/Screen Assembly	966	690243	Base-Air Cleaner Primer
332	690662	Nut (Flywheel)	967	273356	Filter-Pre Cleaner
333	802574	Armature-Magneto	968	691342	Cover-Air Cleaner
334	691061	Screw (Armature Magneto)	969	691138	Screw (Blower Cover)
337	692051	Plug-Spark	972	699374	Tank-Fuel
356	692390	Wire-Stop	975	493640	Bowl-Float
358	792384	Gasket Set-Engine	976	694395	Primer-Carburetor
363	19069	Puller-Flywheel	977	792385	Set-Carburetor Gasket
365	691129	Screw (Carburetor)	993	694088	•+ Gasket-Cylinder Head Plate
383	19374s	Wrench-Spark Plug	1022	691890	•+ Gasket-Rocker Cover
404	690272	Washer (Governor Crank)	1023	499624	Cover-Rocker Arm
425	690244	Screw (Air Cleaner Cover)	1026	692045	Rod-Push
443	690255	Screw (Air Cleaner Base)	1029	691230	Arm-Rocker
445	697029	Filter-Air Cleaner Cartridge	1034	691343	Guide-Push Rod
456	692299	Plate-Pawl Friction	1036	792166	Label-Emissions
459	281505s	Pawl-Ratchet	1058	275054	Owner's Manual
505	691251	Nut (Gov. Control Lever)	1059	692311	Kit-Screw/Washer
523	499621	Dipstick	1095	792386	Set-Valve Gasket
524	692296	• Seal-Dipstick Tube	1210	498144	Pulley/Spring Assy. (Pulley)
525	495265	Tube-Dipstick	1211	498144	Pulley/Spring Assy. (Spring)
562	92613	Bolt (Gov. Control Lever)	1329	121602-0625	Replacement Engine
584	697734	Cover-Breather Passage	1330	272147	Repair Manual
585	691879	• Gasket-Breather Passage	- -	398067	Spark Arrester (available accessory)
592	690800	Nut (Rewind Starter)			
597	691696	Screw (Pawl Friction Plate)			
601	791850	Clamp-Hose			• Included in Engine Gasket Set, Key No. 358
608	497680	Starter-Rewind			
613	691108	Screw (Muffler)			Ø Included in Carb. Overhaul Kit, Key No. 121
613A	691140	Screw (Muffler)			
615	690340	Retainer-Governor Shaft			‡ Included in Carb. Gasket Set, Key No. 977
616	698801	Crank-Governor			
619	691108	Screw (Cylinder Head Plate)			+ Included in Valve Gasket Set, Key No. 1095
621	692310	Switch-Stop			
633	691321	Ø‡ Seal-Throttle Shaft			
635	66538s	Boot-Spark Plug			

NOTE: All component dimensions given in U.S. inches. 1 inch = 25.4 mm