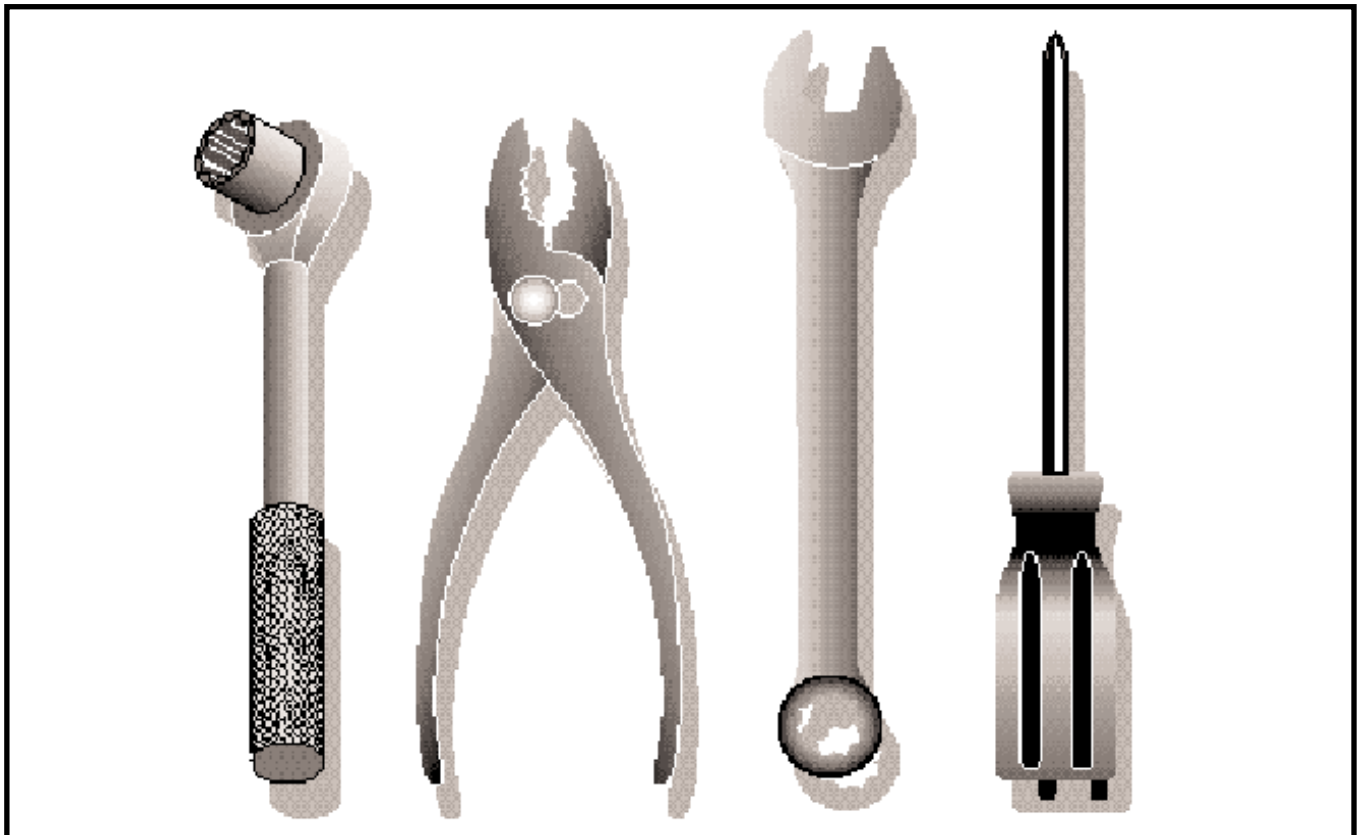


Snow Thrower

# 1330 SBEXP

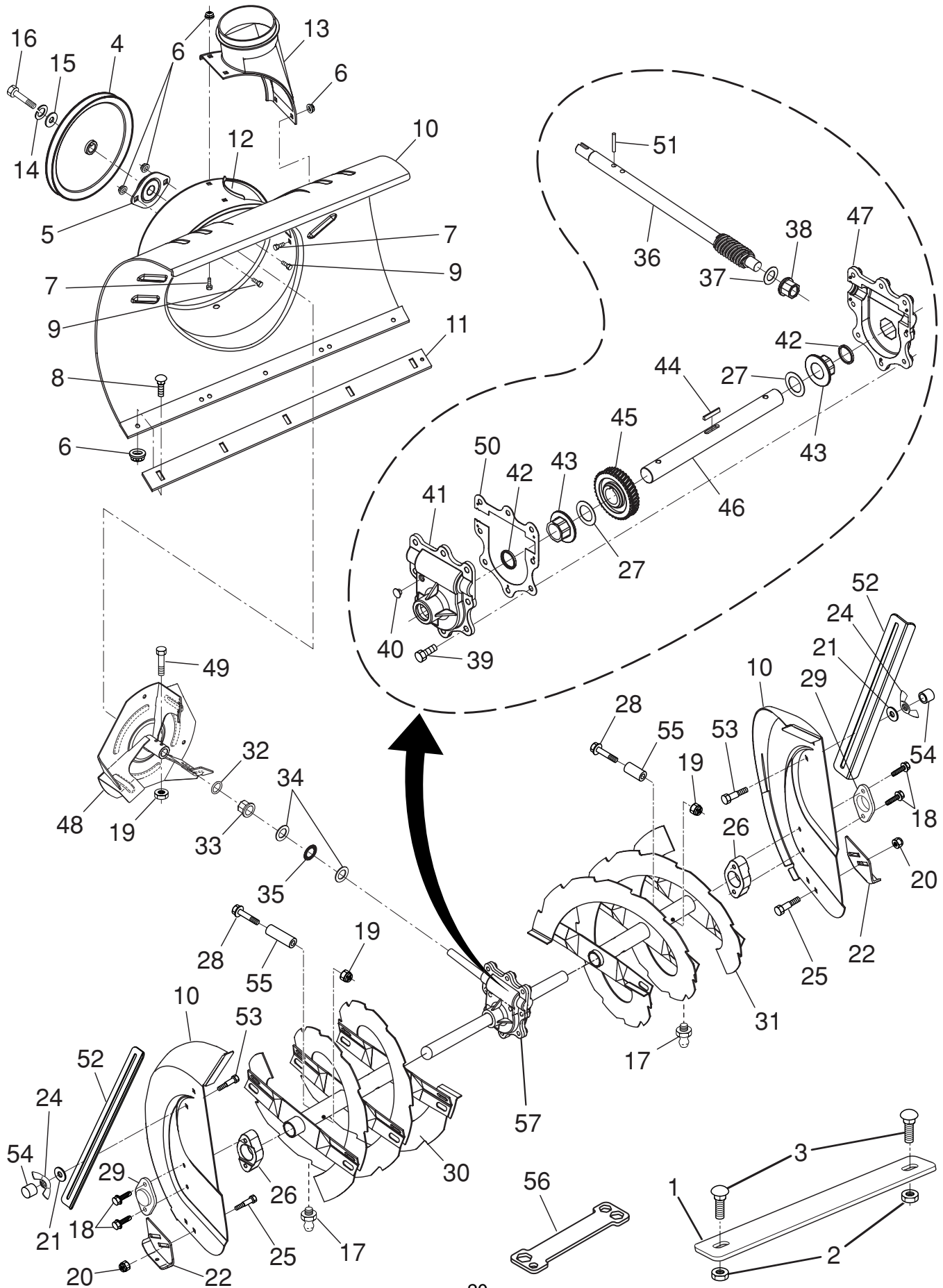
96193001900



# REPAIR PARTS

# AUGER HOUSING / IMPELLER ASSEMBLY

SNOWTHROWER - MODEL NO. 1330SBEXP (96193001900), PRODUCT NO. 961 93 00-19



# REPAIR PARTS

# AUGER HOUSING / IMPELLER ASSEMBLY

SNOW THROWER - MODEL NO. **1330SBEXP** (96193001900), PRODUCT NO. 961 93 00-19

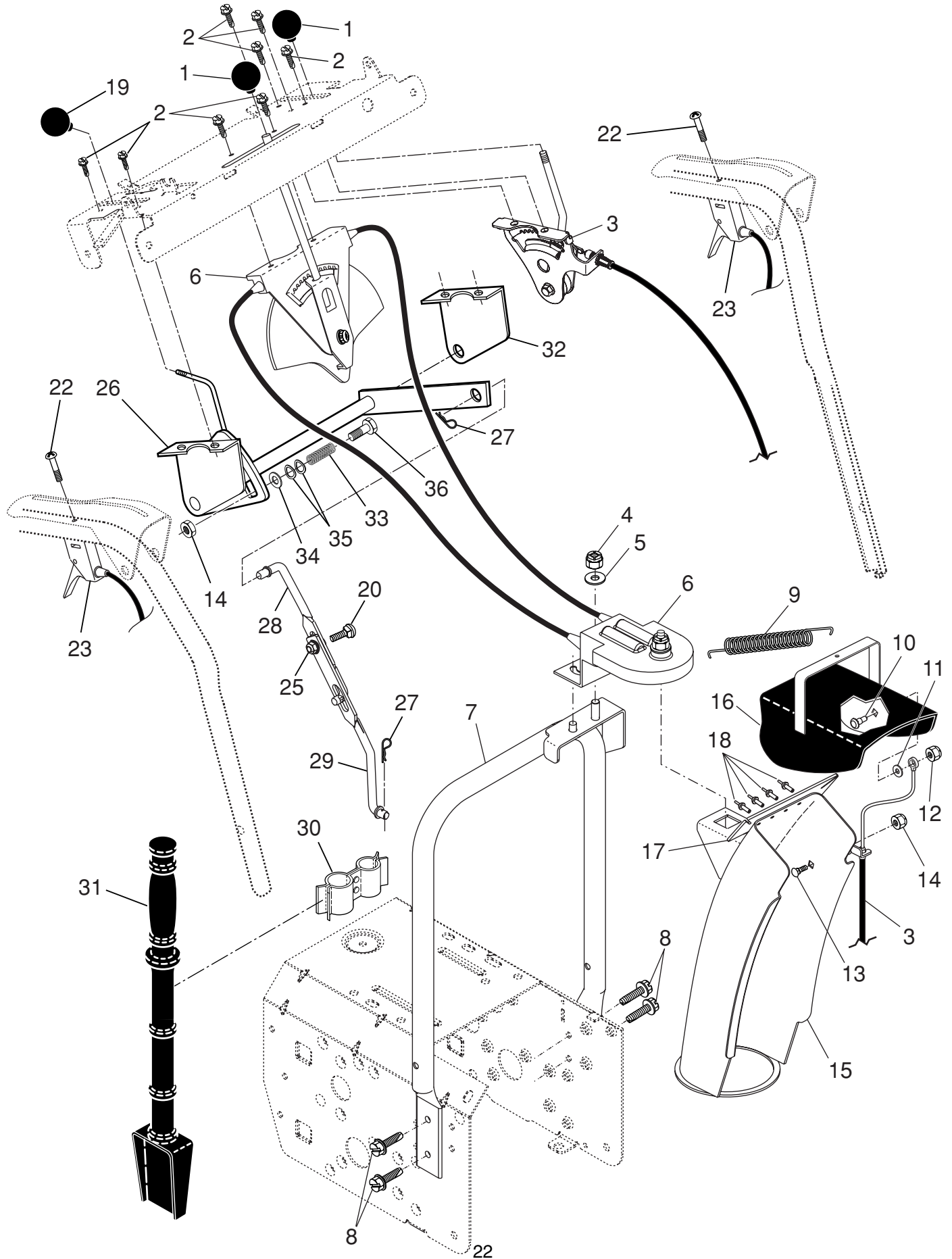
KEY PART NO.	PART NO.	DESCRIPTION	KEY PART NO.	PART NO.	DESCRIPTION
1	532 18 86-63	Bar, Weight	29	532 18 81-70	Bearing Retainer, Plastic
2	532 75 11-53	Nut, Hex 5/16-18	30	532 40 77-22	Auger Assembly, RH
3	872 11 05-10	Bolt, Carriage 5/16-18 x 1-1/4	31	532 40 77-23	Auger Assembly, LH
4	532 19 10-79	Pulley, Impeller	32	532 40 77-68	O-Ring
5	532 18 89-09	Bearing Assembly, Flange	33	532 40 77-69	Bushing, Flange 3/4
6	532 19 85-41	Nut, Hex Flange 5/16-18	34	532 17 46-81	Washer, Thrust 3/4
7	532 18 03-55	Bolt, Flat Head, Carriage 5/16-18 x 5/8	35	532 17 46-84	Bearing, Thrust 3/4
8	872 27 05-05	Bolt, Carriage 5/16-1 8 x 5/8	36	532 40 77-57	Shaft, Impeller
9	532 19 98-79	Bolt	37	532 17 46-83	Washer, Thrust 5/8
10	532 40 77-21	Housing, Auger	38	532 40 77-58	Bushing, Flange 5/8
11	532 40 76-45	Bar, Scraper	39	532 40 77-67	Screw, Hex Head 5/16-18 x 3/4
12	532 18 40-95	Bracket, Corner Discharge	40	532 40 77-60	Plug, Case
13	532 17 53-22	Base, Discharge Chute	41	532 40 77-61	Housing, Gearbox, RH
14	532 19 85-52	Washer, Lock 5/16	42	532 40 77-70	Seal, Oil
15	819 11 15-07	Washer, Flat	43	532 40 77-62	Bushing, Flange, 1"
16	874 95 05-12	Screw, Hex Head 5/16-18 x 3/4	44	532 18 92-82	Key, Square 1/4 x 1/4 x 7/8
17	<b>532 40 56-37</b>	Fitting, Grease	45	532 40 77-63	Gear, Worm
18	532 17 95-82	Screw, Hex Head 5/16 x 1	46	532 40 77-64	Shaft, Auger
19	873 80 04-00	Nut, Hex Lock 1/4-20	47	532 40 77-65	Housing, Gearbox, LH
20	532 19 85-41	Nut, Hex Lock 5/16-18	48	532 18 41-05	Impeller Assembly
21	532 40 13-47	Washer, Flat 5/16	49	874 78 04-26	Screw, Hex Head 1/4-20 x 1-5/8
22	532 40 78-34	Skid Plate, Heavy Duty	50	532 40 77-66	Gasket, Gearbox
24	532 12 86-38	Wing Nut	51	532 18 42-05	Pin, Roll 3/16 x 1-1/8
25	872 27 05-06	Bolt, Shoulder 1/4-20	52	532 40 76-51	Bar, Drift
26	532 18 79-25	Bearing	53	532 19 86-48	Bolt, Hex Head
27	532 17 46-97	Washer, Thrust, 1"	54	532 19 87-09	Stop
28	532 19 86-36	Bolt, Shear	55	532 19 86-38	Spacer
			56	532 18 06-84	Multi-Wrench
			57	532 19 67-10	Gearbox Assembly

**NOTE:** All component dimensions given in U.S. inches. 1 inch = 25.4 mm  
**IMPORTANT:** Use only Original Equipment Manufacturer (O.E.M.) replacement parts.  
Failure to do so could be hazardous, damage your snow thrower and void your warranty.

# REPAIR PARTS

# CONTROL PANEL / DISCHARGE CHUTE

SNOWTHROWER - MODEL NO. 1330SBEXP (96193001900), PRODUCT NO. 961 93 00-19



# REPAIR PARTS

# CONTROL PANEL / DISCHARGE CHUTE

SNOW THROWER - MODEL NO. **1330SBEXP** (96193001900), PRODUCT NO. 961 93 00-19

KEY NO.	PART NO.	DESCRIPTION
1	532 18 33-34	Knob, Lever
2	817 50 10-10	Screw #10-24 x 5/8
3	532 19 84-75	Control Assembly, Deflector
4	873 80 06-00	Nut, Lock 3/8-16
5	819 13 13-16	Washer, Flat 3/8
6	532 40 49-74	Control Assembly, Chute Rotater
7	532 40 76-43	Support, Pivot
8	532 15 00-78	Screw, Hex Head 5/16-18 x 3/4
9	532 18 45-05	Spring, Deflector
10	532 17 98-29	Bolt, Shoulder
11	532 17 92-46	Washer, Friction, Nylon
12	532 19 17-30	Nut, Lock 1/4-20
13	872 25 05-05	Bolt, Carriage 5/16-18
14	532 75 11-53	Nut, Hex
15	532 40 76-50	Chute Assembly
16	532 18 41-13	Deflector Assembly
17	532 17 91-45	Seal, Deflector
18	532 12 84-15	Rivet, Blind
19	532 18 33-33	Knob, Speed Control Lever
20	872 27 05-06	Bolt, Carriage 5/16-18 x 3/4
22	874 04 10-24	Screw #10-24 x 1-1/2
23	532 19 24-49	Control Assembly, Power Steering
25	532 19 85-41	Nut, Hex, Flangelock 5/16-18
26	532 19 20-01	Lever Assembly, Speed Control
27	532 16 96-75	Retainer, Hairpin
28	532 18 77-82	Rod, Upper, Speed Control
29	532 18 77-84	Rod, Lower, Speed Control
30	532 19 27-10	Clamp, Mounting, Clean-Out Tool
31	532 19 21-99	Tool, Clean-Out
32	532 19 20-02	Bracket, Shift
33	532 19 21-95	Spring
34	532 15 54-15	Washer
35	532 17 92-46	Washer, Friction
36	874 76 05-52	Capscrew

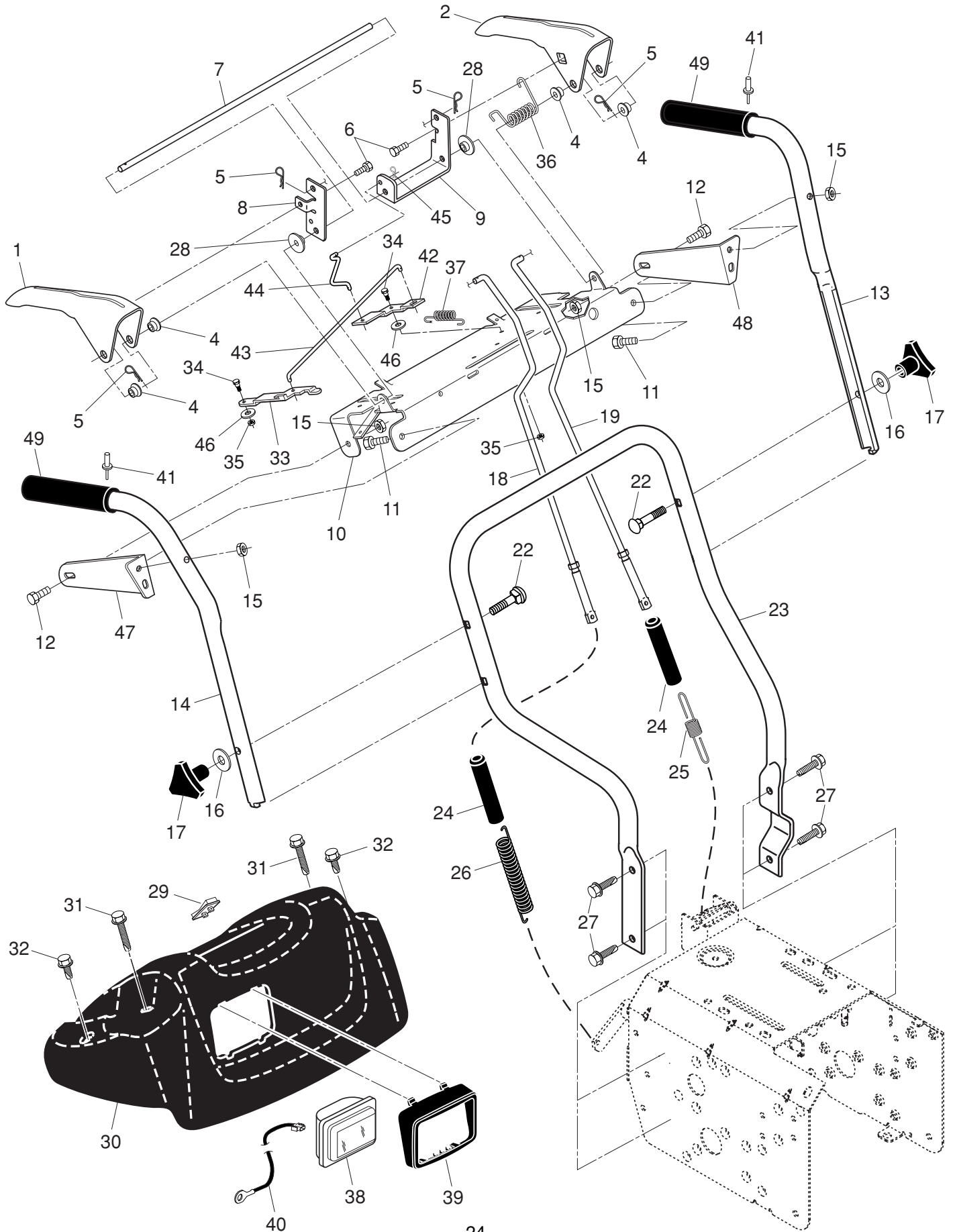
**NOTE:** All component dimensions given in U.S. inches. 1 inch = 25.4 mm

**IMPORTANT:** Use only Original Equipment Manufacturer (O.E.M.) replacement parts. Failure to do so could be hazardous, damage your snow thrower and void your warranty.

# REPAIR PARTS

# HANDLES

SNOWTHROWER - MODEL NO. 1330SBEXP (96193001900), PRODUCT NO. 961 93 00-19



# REPAIR PARTS

# HANDLES

SNOW THROWER - MODEL NO. **1330SBEXP** (96193001900), PRODUCT NO. 961 93 00-19

KEY NO.	PART NO.	DESCRIPTION
1	532 40 76-49	Lever, Auger Control, RH
2	532 40 76-48	Lever, Traction Drive Control, LH
4	532 17 88-88	Bushing, Flange
5	532 16 96-75	Retainer, Hairpin
6	817 06 04-08	Screw, Hex Head
7	532 17 86-52	Rod, Interlock
8	532 19 95-76	Arm, Impeller Rod
9	532 19 95-75	Arm, Traction Rod
10	532 19 95-31	Panel, Control
11	874 78 05-24	Screw, Hex Head 5/16-18 x 1-1/2
12	874 78 05-12	Screw, Hex Head 5/16-18 x 1-3/4
13	532 40 78-36	Handle Tube, LH
14	532 40 78-35	Handle Tube, RH
15	532 75 11-53	Nut, Lock 5/16-18
16	819 13 13-16	Washer, Flat 3/8
17	532 17 88-99	Knob, Handle
18	532 19 34-47	Rod, Auger Control
19	532 18 04-85	Rod, Traction Control
22	872 12 06-18	Bolt, Carriage 3/8-16 x 2-1/4
23	532 18 40-87	Handle Tube, Lower
24	532 19 20-91	Sleeve, Spring
25	532 18 09-26	Spring, Traction Drive
26	532 17 86-69	Spring, Auger Control
27	817 00 06-16	Screw, Hex Head 3/8-16 x 1
28	532 19 85-59	Bushing, Pivot Lever
29	532 40 57-81	Switch, Heated Handle Grips
30	532 40 58-79	Console, Panel
31	532 17 52-62	Screw, Hex Head, Tapping #10-24 x 1-1/4
32	532 18 44-71	Screw, Hex Head, Tapping #10-24 x 1/2
33	532 19 95-77	Latch, Interlock
34	532 18 35-18	Bolt, Shoulder
35	532 06 80-38	Nut, Lock 1/4-20
36	532 17 88-31	Spring, Torsion
37	532 19 38-85	Spring, Interlock
38	532 17 86-66	Headlight, Halogen (Includes Bulb)
--	<b>532 40 16-20</b>	Bulb, Halogen
39	532 17 86-68	Bezel, Headlight
40	532 40 56-99	Harness, Headlight (Halogen)
41	532 17 87-75	Pop Rivet
42	532 19 95-78	Lever, Interlock
43	532 19 96-38	Rod, Latch, Interlock
44	532 19 63-38	Rod, Arm, Interlock
45	532 70 02-79	Clip
46	532 17 92-46	Washer
47	532 19 69-43	Mounting Bracket, Handle, RH
48	532 19 69-44	Mounting Bracket, Handle, LH
49	532 40 58-17	Grip, Handle, Heated

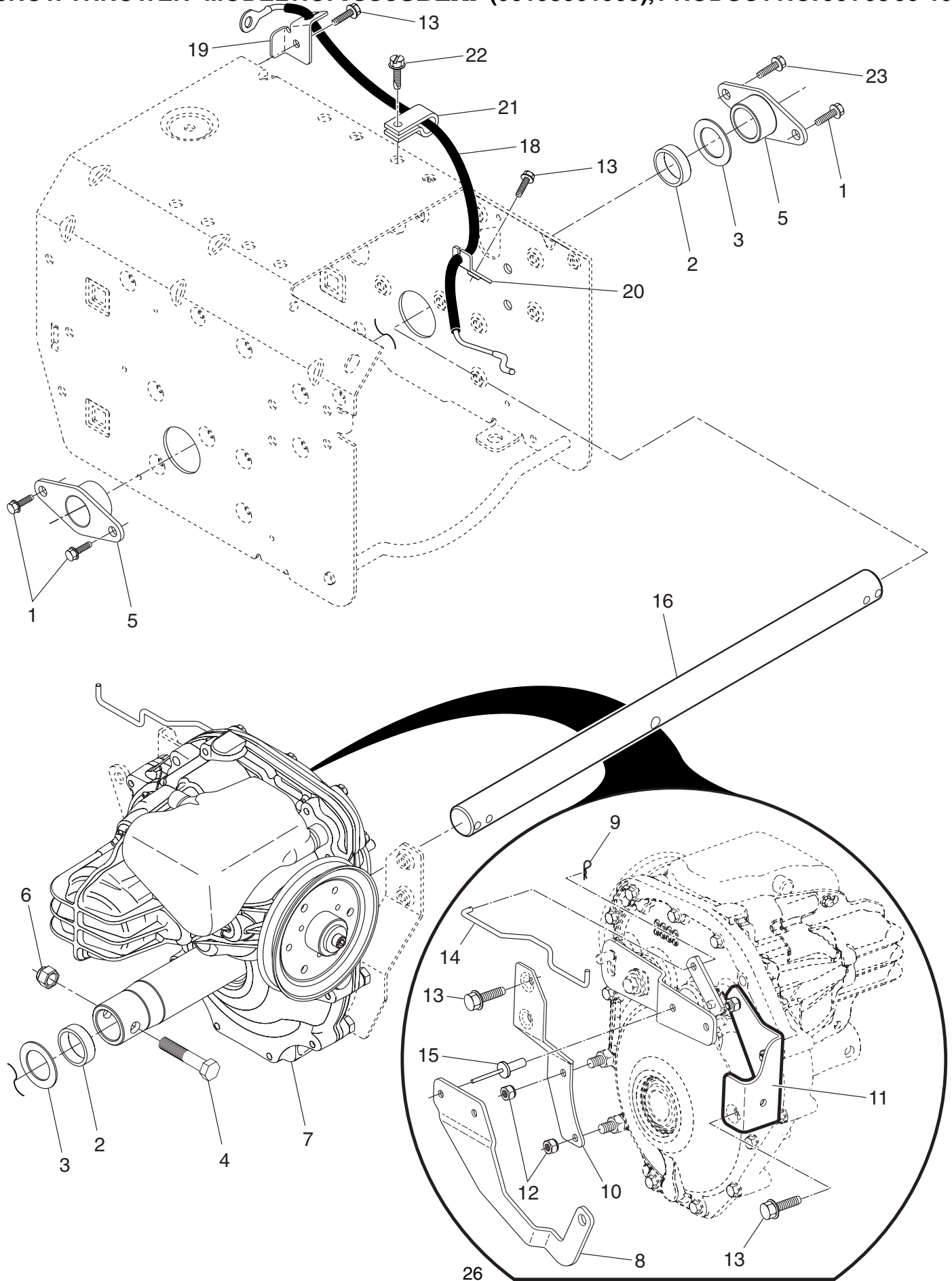
**NOTE:** All component dimensions given in U.S. inches. 1 inch = 25.4 mm

**IMPORTANT:** Use only Original Equipment Manufacturer (O.E.M.) replacement parts. Failure to do so could be hazardous, damage your snow thrower and void your warranty.

# REPAIR PARTS

# DRIVE

SNOWTHROWER - MODEL NO. 1330SBEXP (96193001900), PRODUCT NO. 961 93 00-19





# REPAIR PARTS

# DRIVE

SNOW THROWER - MODEL NO. **1330SBEXP** (96193001900), PRODUCT NO. 961 93 00-19

KEY NO.	PART NO.	DESCRIPTION
1	532 19 85-84	Screw, Hex Head 5/16-18 x 3/4
2	532 18 77-94	Spacer, Axle
3	532 17 46-97	Washer, Thrust
4	874 78 06-32	Screw, Cap, Hex Head 3/8-16 x 2
5	532 17 98-30	Bearing, Axle
6	873 93 06-00	Nut, Hex, Centerlock 3/8-16
7	532 18 77-76	Transmission Assembly
8	532 18 77-87	Speed Control Arm, Hydro
9	532 70 02-79	Retainer Clip
10	532 18 81-01	Torque Strap
11	532 40 78-58	Bracket, Anti-Rotate
12	873 80 04-00	Nut, Hex, Nylock 1/4-20
13	532 15 00-78	Screw, Hex Washer Head 5/16-18 x 3/4
14	532 19 32-56	Rod, Bypass Valve
15	532 19 19-95	Pop Rivet
16	532 40 43-08	Shaft, Axle
18	532 19 84-66	Cable, Drive Control
19	532 19 20-00	Bracket, Cable, Rear
20	532 19 19-93	Bracket, Cable, Front
21	532 08 79-30	Clip, Cable
22	817 39 12-08	Screw, Slotted Hex Head 1/8 x 1/2
23	532 14 63-15	Screw

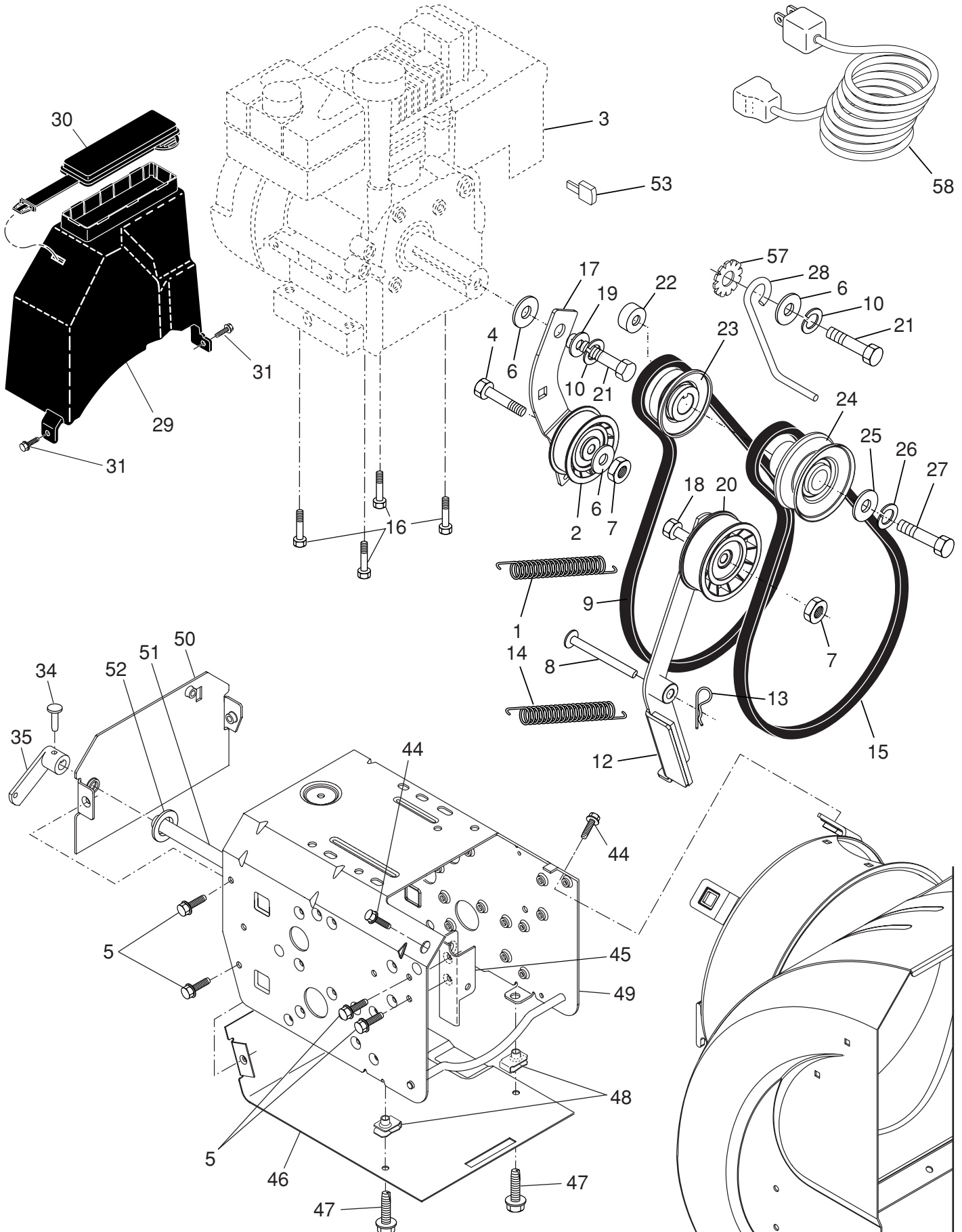
**NOTE:** All component dimensions given in U.S. inches. 1 inch = 25.4 mm

**IMPORTANT:** Use only Original Equipment Manufacturer (O.E.M.) replacement parts. Failure to do so could be hazardous, damage your snow thrower and void your warranty.

# REPAIR PARTS

# CHASSIS / ENGINE / PULLEYS

SNOWTHROWER - MODEL NO. 1330SBEXP (96193001900), PRODUCT NO. 961 93 00-19



**REPAIR PARTS****CHASSIS / ENGINE / PULLEYS****SNOW THROWER - MODEL NO. 1330SBEXP (96193001900), PRODUCT NO. 961 93 00-19**

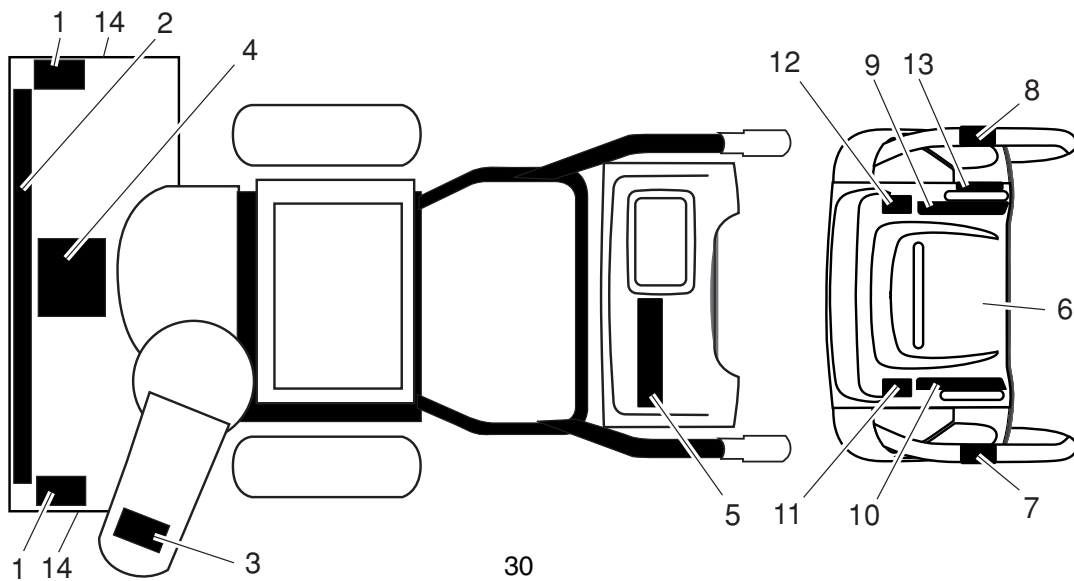
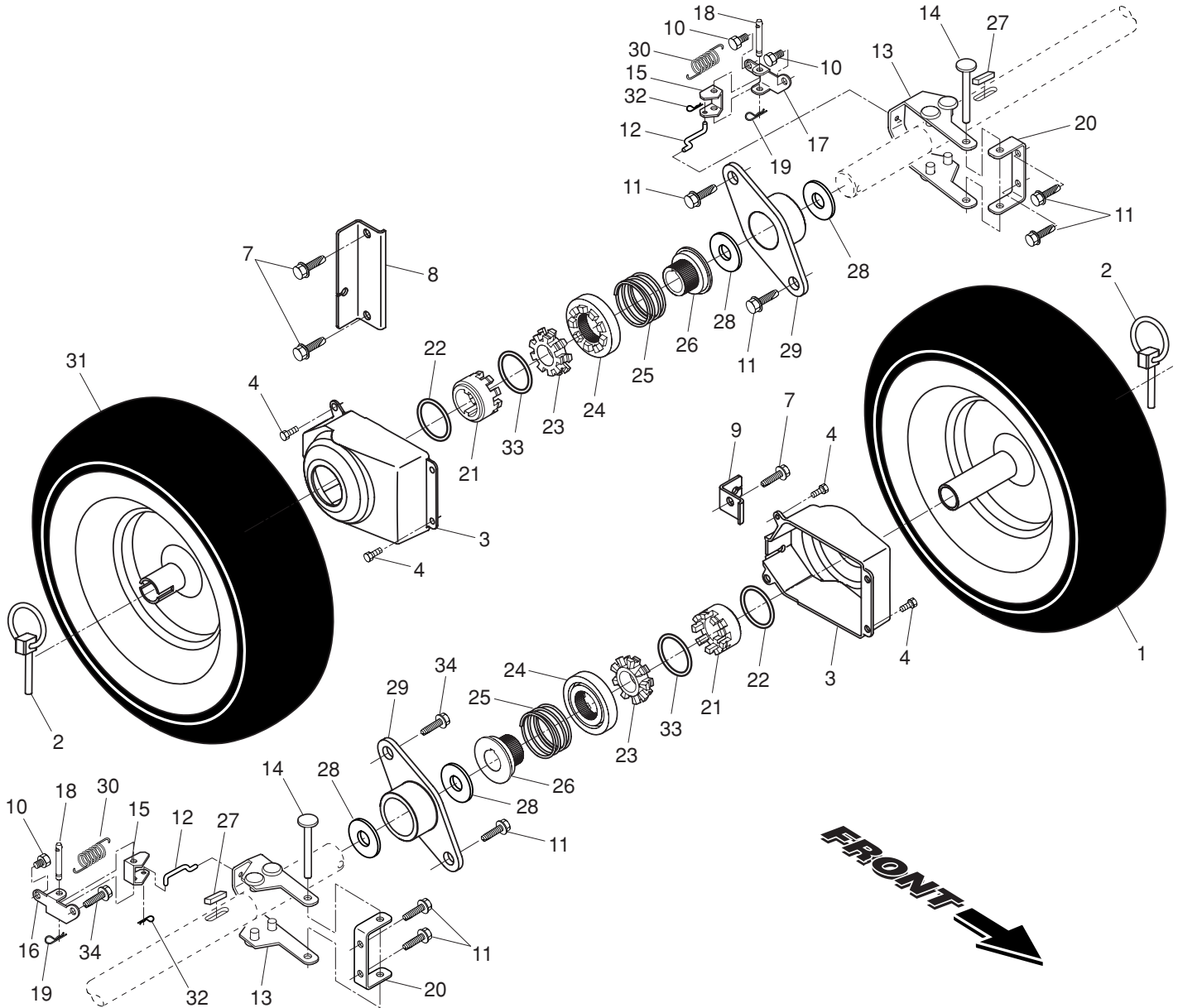
<b>KEY NO.</b>	<b>PART NO.</b>	<b>DESCRIPTION</b>
1	532 19 28-73	Spring, Traction Idler
2	532 18 05-22	Pulley, Idler (2-1/4)
3	- - -	Engine, Tecumseh, Model Number OH358SA (For engine service and replacement parts, call Tecumseh Products at 1-800-558-5402)
4	874 78 05-20	Screw, Hex Head 5/16-18 x 1-1/4
5	532 15 00-78	Screw, Hex Washer Head 5/16-18 x 3/4
6	532 05 92-89	Washer, Flat
7	532 16 67-85	Nut, Jam, Lock 5/16-18
8	532 17 53-30	Pin, Idler Pivot
9	532 40 50-29	V-Belt, Traction Drive
10	532 19 85-52	Washer, Lock 5/16
11	532 19 85-84	Bolt, Hex Head, Threaded, Rolled 5/16-18 x 1/2
12	532 17 92-59	Impeller Idler Arm
13	532 08 51-79	Retainer, Hairpin
14	532 17 88-28	Spring, Brake
15	532 40 38-42	V-Belt, Impeller Drive
16	532 15 04-06	Screw, Hex Head 3/8-16 x 1-1/4
17	532 18 77-86	Arm, Idler
18	874 78 05-24	Screw, Hex Head 5/16-18 x 1-1/2
19	532 19 85-59	Bushing, Idler Pivot
20	532 18 05-23	Pulley, Idler (2-3/4)
21	874 61 05-16	Screw, Hex Head 5/16-18 x 1
22	532 17 93-71	Spacer, Engine Pulley
23	532 18 04-78	Pulley, Engine, Traction Drive
24	532 17 88-13	Pulley, Engine, Impeller Drive
25	532 40 00-26	Washer, Flat 3/8
26	532 85 02-63	Washer, Lock 3/8
27	532 85 10-84	Screw, Hex Head 3/8-24 x 1-3/8
28	532 19 36-07	Guide, Belt
29	532 40 02-17	Belt Cover Assembly (Includes Toolbox Cover)
30	532 17 88-30	Cover, Toolbox
31	532 40 50-24	Screw, Hex Head 1/4-20 x 1/2
34	532 19 85-80	Screw, Hex Head 1/4-28 x 3/4
35	532 40 54-84	Arm, Auger Control
44	817 00 06-16	Screw, Hex Head
45	532 40 78-49	Bracket, Pivot, Idler
46	532 40 78-69	Pan, Frame Bottom
47	871 02 05-12	Screw, Hex Head 5/16-18 x 3/4
48	532 18 11-56	Nut, Speed 5/16-18
49	532 40 78-43	Frame Assembly
50	532 40 78-68	Plate, Frame End
51	532 40 61-09	Shaft, Auger Control
52	532 05 70-79	Washer, Hardened
53	532 01 93-71	Key, Safety
57	811 05 05-00	Washer, Lock, External Tooth 5/16
58	532 19 85-63	Power Cord

**NOTE:** All component dimensions given in U.S. inches. 1 inch = 25.4 mm**IMPORTANT:** Use only Original Equipment Manufacturer (O.E.M.) replacement parts. Failure to do so could be hazardous, damage your snow thrower and void your warranty.

# REPAIR PARTS

# WHEELS / DECALS

SNOWTHROWER - MODEL NO. 1330SBEXP (96193001900), PRODUCT NO. 961 93 00-19



## REPAIR PARTS

## WHEELS / DECALS

SNOW THROWER - MODEL NO. **1330SBEXP** (96193001900), PRODUCT NO. 961 93 00-19

KEY NO.	PART NO.	DESCRIPTION
1	532 19 95-21	Wheel Assembly, 16", Power Steering, LH
2	532 15 54-43	Pin, Klik 1/4
3	532 40 51-61	Cover, Power Steering
4	532 18 44-71	Bolt, Shoulder #10-24 x 5/8
7	817 00 06-16	Capscrew, Hex Head, Flanged 3/8-16 x 1
8	532 18 78-59	Bracket, Steering Cable, RH
9	532 18 78-58	Bracket, Steering Cable, LH
10	817 60 04-06	Screw, Hex Head 1/4-20 x 3/8
11	532 19 85-84	Screw, Hex Head 5/16-18 x 1/2
12	532 40 60-57	Link, Steering Lever
13	532 40 78-37	Yoke, Steering
14	532 18 20-15	Pin, Steering Lever
15	532 19 95-18	Bellcrank
16	532 19 95-12	Bracket Assembly, LH Steering
17	532 19 95-11	Bracket Assembly, RH Steering
18	532 18 18-47	Pin, Steering Bellcrank
19	532 08 51-79	Retainer, Hairpin
20	532 18 41-97	Bracket, Steering
21	532 19 21-26	Driver, Wheel
22	532 18 24-66	Ring, Wire Retainer
23	532 18 76-22	Lobe, Wheel
24	532 19 49-41	Slide, Clutch
25	532 17 91-39	Spring, Clutch Slide
26	532 19 49-40	Lobe, Axle
27	532 18 92-82	Key, Square
28	532 17 46-97	Washer, Thrust (1")
29	532 17 98-30	Bearing, Axle
30	532 19 38-85	Spring, Return
31	532 19 95-20	Wheel Assembly, 16", Power Steering, RH
32	532 70 02-79	Clip, Retainer
33	812 00 00-45	Ring, Retaining
34	532 14 63-15	Screw, Hex Head 5/16-18 x 5/8

KEY NO.	PART NO.	DESCRIPTION
1	532 18 10-38	Decal, Danger
2	532 19 13-78	Decal, Husqvarna
3	532 18 10-34	Decal, Danger, Deflector
4	532 18 10-41	Decal, Danger
5	532 40 57-99	Decal, Husqvarna, 1330SBE
6	532 18 10-32	Decal, Instruction
7	532 15 57-98	Decal, Traction Lever
8	532 15 58-00	Decal, Auger Lever
9	532 18 10-36	Decal, Speed Control
10	532 18 37-29	Decal, Remote Deflector
11	532 18 39-07	Decal, LH Trigger
12	532 18 39-05	Decal, RH Trigger
13	532 19 34-60	Decal, Console, Hydro
14	532 15 57-94	Decal, Husqvarna, Crown
--	532 40 57-43	Owner's Manual, English
--	<b>532 40 80-90</b>	Owner's Manual, French

**NOTE:** All component dimensions given in U.S. inches. 1 inch = 25.4 mm

**IMPORTANT:** Use only Original Equipment Manufacturer (O.E.M.) replacement parts. Failure to do so could be hazardous, damage your snow thrower and void your warranty.