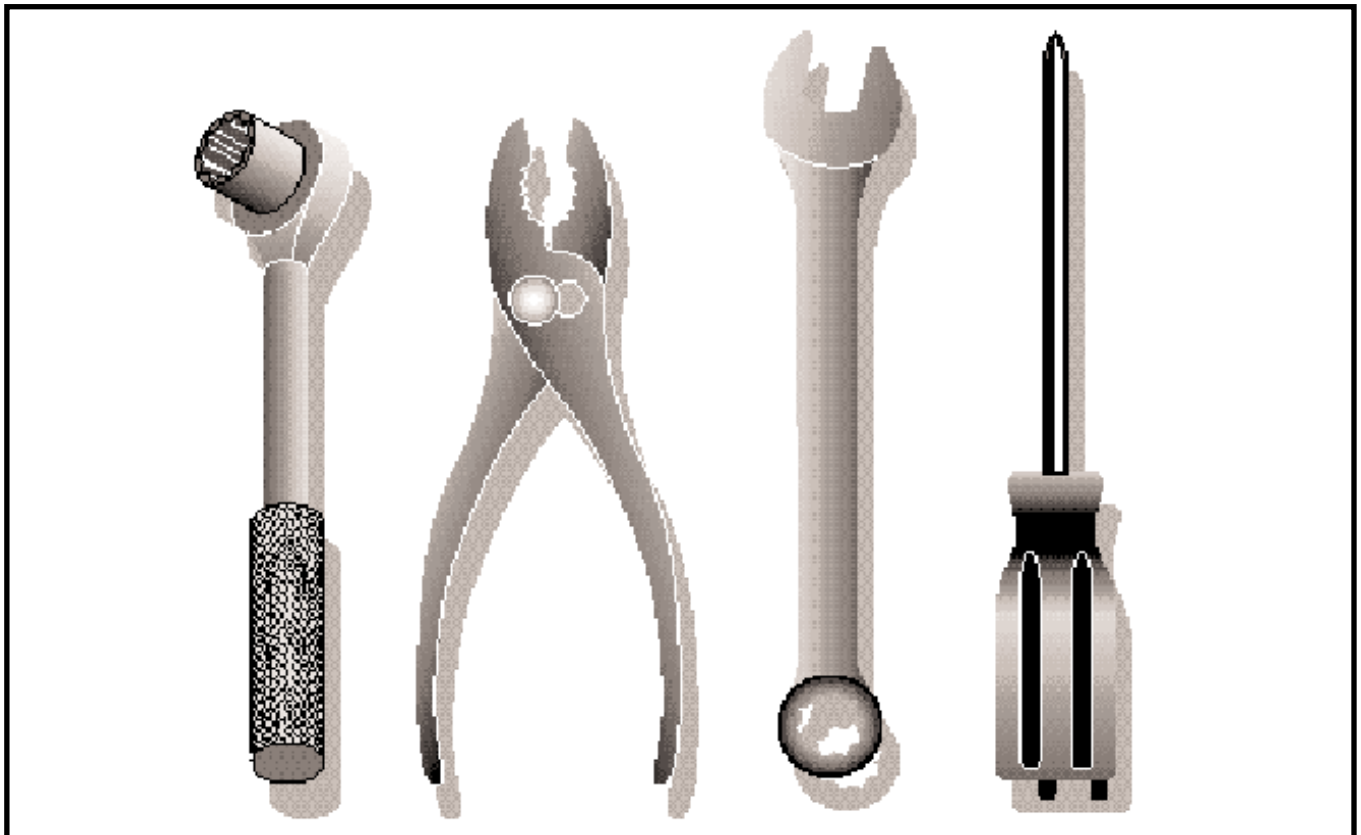


Snow Thrower

# 1130 SBE0V

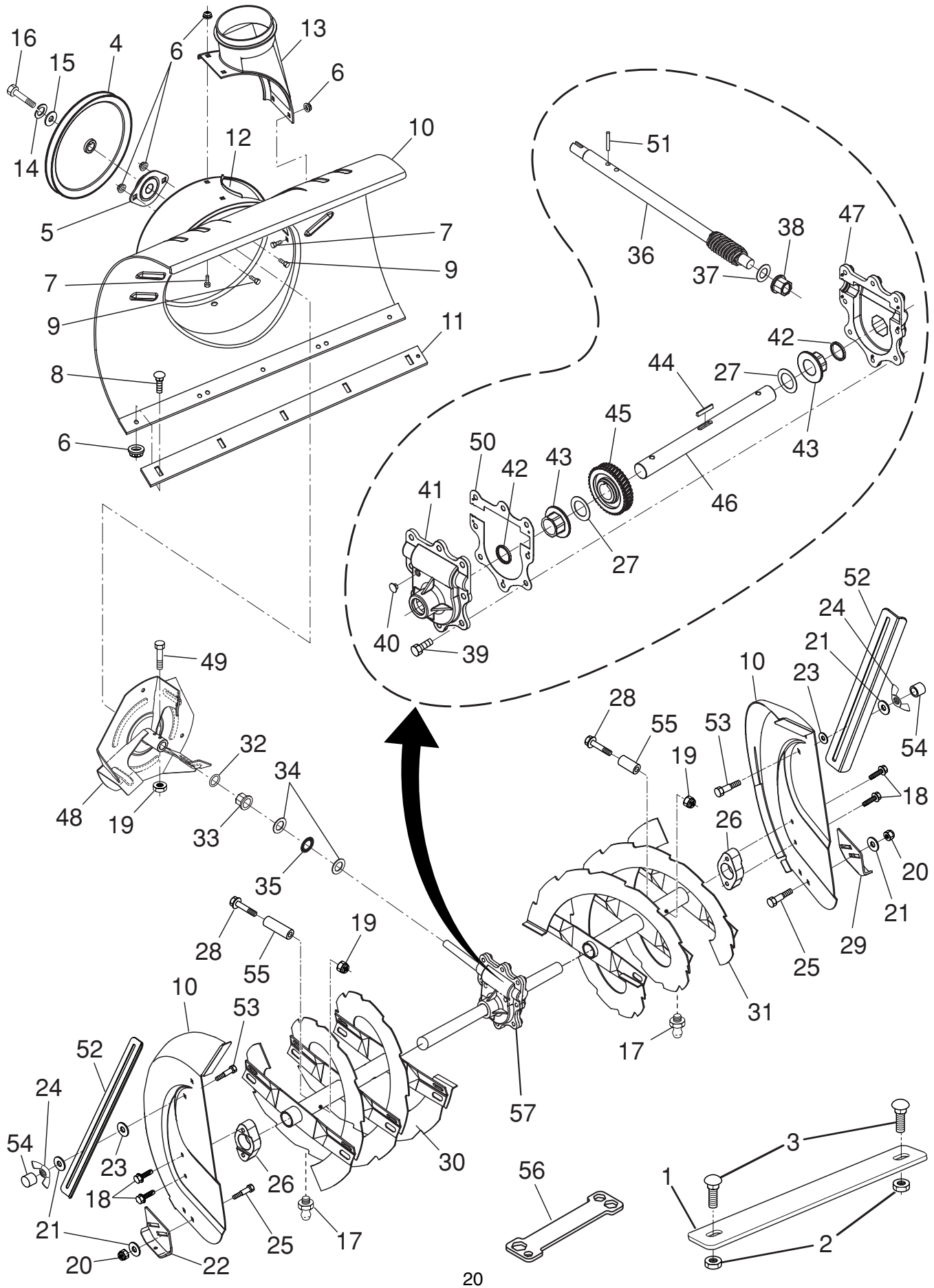
## 96193002100



# REPAIR PARTS

# AUGER HOUSING / IMPELLER ASSEMBLY

SNOWTHROWER - MODEL NO. 1130SBE-OV (96193002100), PRODUCT NO. 961 93 00-21



**REPAIR PARTS****AUGER HOUSING / IMPELLER ASSEMBLY****SNOW THROWER - MODEL NO. 1130SBE-OV (96193002100), PRODUCT NO. 961 93 00-21**

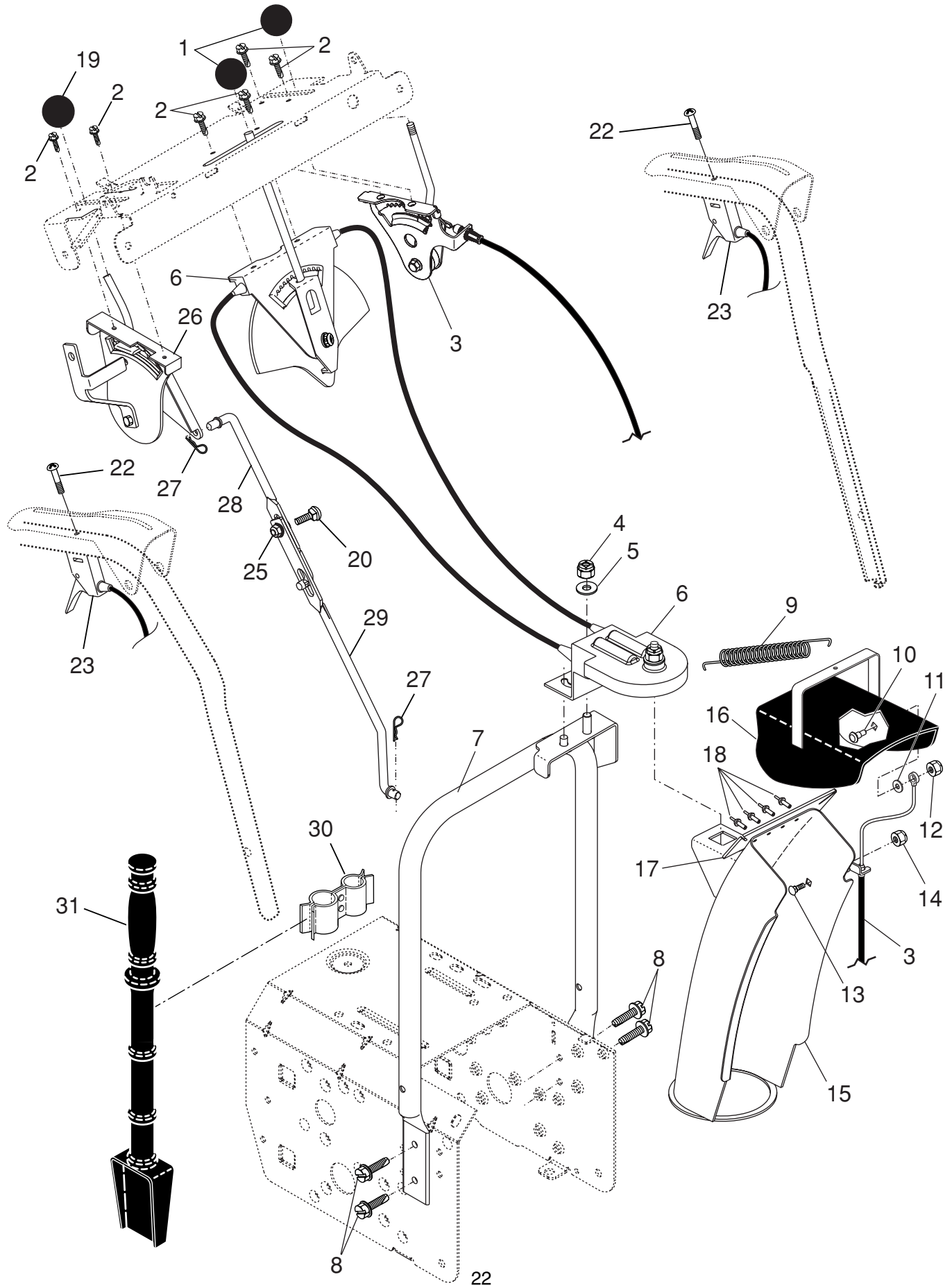
| <b>KEY<br/>NO.</b> | <b>PART<br/>NO.</b> | <b>DESCRIPTION</b>                         | <b>KEY<br/>NO.</b> | <b>PART<br/>NO.</b> | <b>DESCRIPTION</b>             |
|--------------------|---------------------|--|--------------------|---------------------|--------------------------------|
| 1                  | 532 18 86-63        | Bar, Weight                                | 29                 | 532 40 78-34        | Skid Plate, Heavy Duty         |
| 2                  | 532 75 11-53        | Nut, Hex 5/16-18                           | 30                 | 532 40 76-47        | Auger Assembly, RH             |
| 3                  | 872 11 05-10        | Bolt, Carriage 5/16-18 x 1-1/4             | 31                 | 532 40 76-46        | Auger Assembly, LH             |
| 4                  | 532 19 10-79        | Pulley, Impeller                           | 32                 | 532 40 77-68        | O-Ring                         |
| 5                  | 532 18 89-09        | Bearing Assembly, Flange                   | 33                 | 532 40 77-69        | Bushing, Flange 3/4            |
| 6                  | 532 19 85-41        | Nut, Hex Flange 5/16-18                    | 34                 | 532 17 46-81        | Washer, Thrust 3/4             |
| 7                  | 532 18 03-55        | Bolt, Flat Head, Carriage<br>5/16-18 x 5/8 | 35                 | 532 17 46-84        | Bearing, Thrust 3/4            |
| 8                  | 872 27 05-05        | Bolt, Carriage 5/16-1 8 x 5/8              | 36                 | 532 40 77-57        | Shaft, Impeller                |
| 9                  | 532 19 98-79        | Bolt                                       | 37                 | 532 17 46-83        | Washer, Thrust 5/8             |
| 10                 | 532 40 76-44        | Housing, Auger                             | 38                 | 532 40 77-58        | Bushing, Flange 5/8            |
| 11                 | 532 40 76-45        | Bar, Scraper                               | 39                 | 532 40 77-67        | Screw, Hex Head 5/16-18 x 3/4  |
| 12                 | 532 18 40-95        | Bracket, Corner Discharge                  | 40                 | 532 40 77-60        | Plug, Case                     |
| 13                 | 532 17 53-22        | Base, Discharge Chute                      | 41                 | 532 40 77-61        | Housing, Gearbox, RH           |
| 14                 | 532 19 85-52        | Washer, Lock 5/16                          | 42                 | 532 40 77-70        | Seal, Oil                      |
| 15                 | 819 11 15-07        | Washer, Flat                               | 43                 | 532 40 77-62        | Bushing, Flange, 1"            |
| 16                 | 874 95 05-12        | Screw, Hex Head 5/16-18 x 3/4              | 44                 | 532 18 92-82        | Key, Square 1/4 x 1/4 x 7/8    |
| 17                 | 532 40 56-37        | Grease Fitting                             | 45                 | 532 40 77-63        | Gear, Worm                     |
| 18                 | 532 17 95-82        | Screw, Hex Head 5/16 x 1                   | 46                 | 532 40 77-64        | Shaft, Auger                   |
| 19                 | 873 80 04-00        | Nut, Hex Lock 1/4-20                       | 47                 | 532 40 77-65        | Housing, Gearbox, LH           |
| 20                 | 532 19 85-41        | Nut, Hex Lock 5/16-18                      | 48                 | 532 18 41-05        | Impeller Assembly              |
| 21                 | 532 40 13-47        | Washer, Flat 5/16                          | 49                 | 874 78 04-26        | Screw, Hex Head 1/4-20 x 1-5/8 |
| 22                 | 532 40 78-34        | Skid Plate, Heavy Duty                     | 50                 | 532 40 77-66        | Gasket, Gearbox                |
| 24                 | 532 12 86-38        | Wing Nut                                   | 51                 | 532 18 42-05        | Pin, Roll 3/16 x 1-1/8         |
| 25                 | 872 27 05-06        | Bolt, Shoulder 1/4-20                      | 52                 | 532 40 76-51        | Bar, Drift                     |
| 26                 | 532 17 46-58        | Bearing, Auger                             | 53                 | 532 19 86-48        | Bolt, Hex Head                 |
| 27                 | 532 17 46-97        | Washer, Thrust, 1"                         | 54                 | 532 19 87-09        | Stop                           |
| 28                 | 532 19 86-36        | Bolt, Shear                                | 55                 | 532 19 86-38        | Spacer                         |
|                    |                     |  | 56                 | 532 18 06-84        | Multi-Wrench                   |
|                    |                     |  | 57                 | 532 19 67-10        | Gearbox Assembly               |

**NOTE:** All component dimensions given in U.S. inches. 1 inch = 25.4 mm**IMPORTANT:** Use only Original Equipment Manufacturer (O.E.M.) replacement parts. Failure to do so could be hazardous, damage your snow thrower and void your warranty.

# REPAIR PARTS

# CONTROL PANEL / DISCHARGE CHUTE

SNOWTHROWER - MODEL NO. 1130SBE-OV (96193002100), PRODUCT NO. 961 93 00-21



# REPAIR PARTS

# CONTROL PANEL / DISCHARGE CHUTE

SNOW THROWER - MODEL NO. **1130SBE-OV** (96193002100), PRODUCT NO. 961 93 00-21

| KEY NO. | PART NO.     | DESCRIPTION                      |
|---------|--------------|----------------------------------|
| 1       | 532 18 33-34 | Knob, Lever                      |
| 2       | 817 50 10-10 | Screw #10-24 x 5/8               |
| 3       | 532 19 84-75 | Control Assembly, Deflector      |
| 4       | 873 80 06-00 | Nut, Lock 3/8-16                 |
| 5       | 819 13 13-16 | Washer, Flat 3/8                 |
| 6       | 532 40 49-74 | Control Assembly, Chute Rotater  |
| 7       | 532 40 46-43 | Support, Pivot                   |
| 8       | 532 15 00-78 | Screw, Hex Head 5/16-18 x 3/4    |
| 9       | 532 18 45-05 | Spring, Deflector                |
| 10      | 532 17 98-29 | Bolt, Shoulder                   |
| 11      | 532 17 92-46 | Washer, Friction, Nylon          |
| 12      | 532 19 17-30 | Nut, Lock 1/4-20                 |
| 13      | 872 25 05-05 | Bolt, Carriage 5/16-18           |
| 14      | 532 75 11-53 | Nut, Lock 5/16-18                |
| 15      | 532 40 76-50 | Chute Assembly                   |
| 16      | 532 18 41-13 | Deflector Assembly               |
| 17      | 532 17 91-45 | Seal, Deflector                  |
| 18      | 532 12 84-15 | Rivet, Blind                     |
| 19      | 532 18 33-33 | Knob, Speed Control Lever        |
| 20      | 532 19 86-48 | Bolt, Carriage 5/16-18 x 3/4     |
| 22      | 874 04 10-24 | Screw #10-24 x 1-1/2             |
| 23      | 532 19 24-49 | Control Assembly, Power Steering |
| 25      | 532 19 85-41 | Nut, Lock 5/16-18                |
| 26      | 532 19 84-74 | Lever Assembly, Speed Control    |
| 27      | 532 16 96-75 | Retainer, Hairpin                |
| 28      | 532 18 04-45 | Rod, Upper, Speed Control        |
| 29      | 532 18 77-16 | Rod, Lower, Speed Control        |
| 30      | 532 19 27-10 | Clamp, Clean-Out Tool            |
| 31      | 532 19 21-99 | Tool, Clean-Out                  |

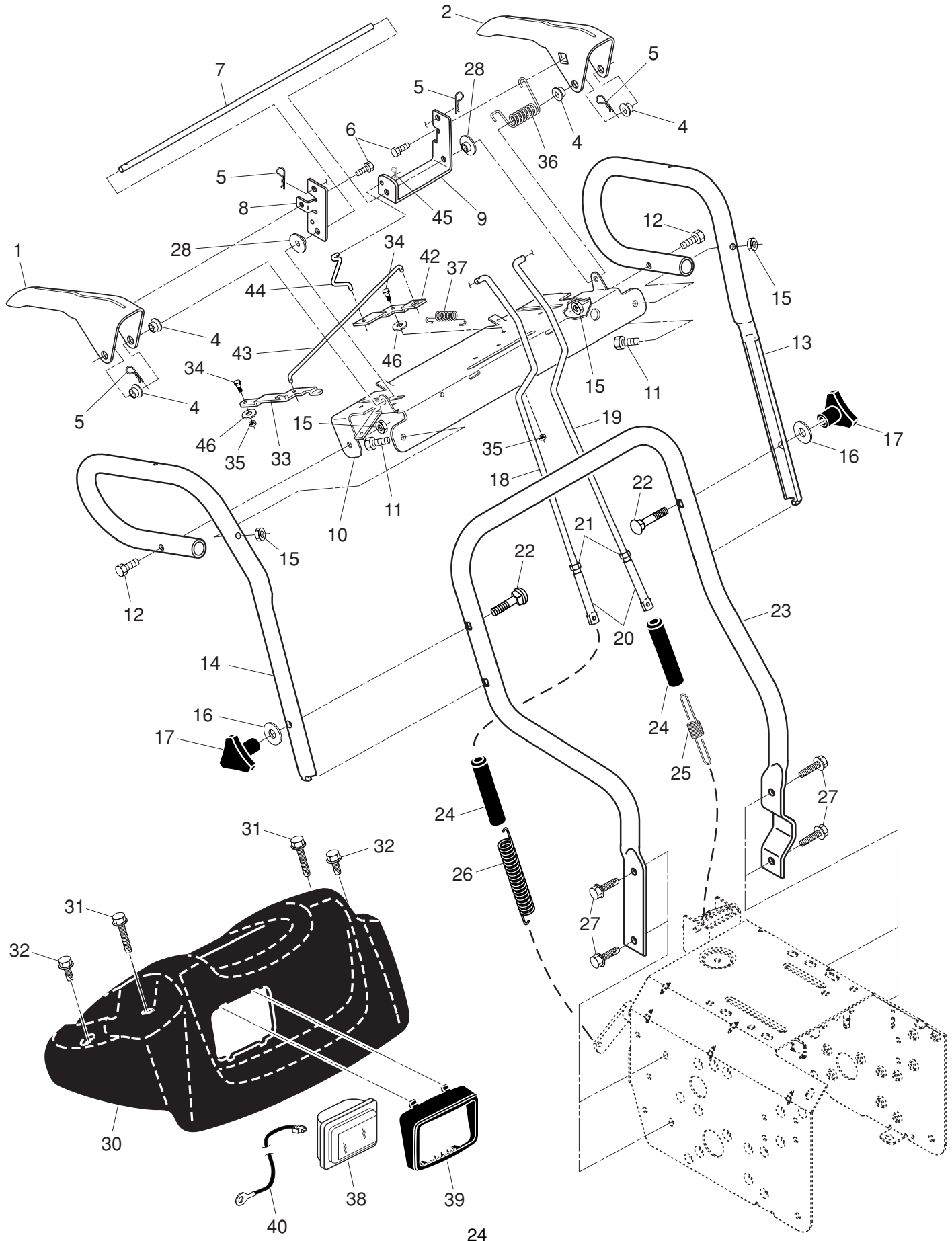
**NOTE:** All component dimensions given in U.S. inches. 1 inch = 25.4 mm

**IMPORTANT:** Use only Original Equipment Manufacturer (O.E.M.) replacement parts. Failure to do so could be hazardous, damage your snow thrower and void your warranty.

# REPAIR PARTS

# HANDLES

SNOWTHROWER - MODEL NO. 1130SBE-OV (96193002100), PRODUCT NO. 961 93 00-21



**REPAIR PARTS****HANDLES****SNOW THROWER - MODEL NO. 1130SBE-OV (96193002100), PRODUCT NO. 961 93 00-21**

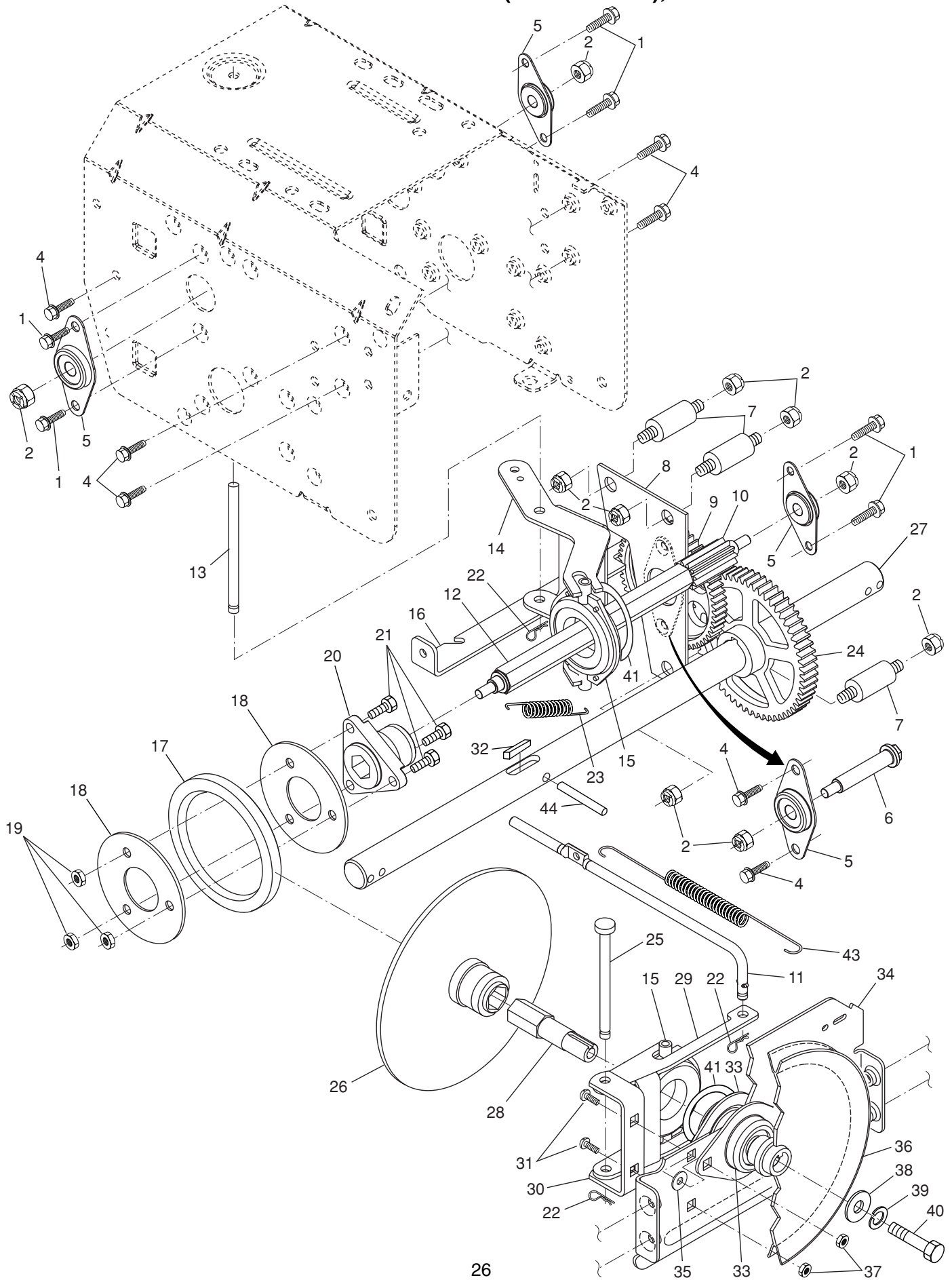
| KEY NO. | PART NO.     | DESCRIPTION                             |
|---------|--------------|---|
| 1       | 532 40 76-49 | Lever, Auger Control, RH                |
| 2       | 532 40 76-48 | Lever, Traction Drive Control, LH       |
| 4       | 532 17 88-88 | Bushing, Flange                         |
| 5       | 532 16 96-75 | Retainer, Hairpin                       |
| 6       | 817 06 04-08 | Screw, Hex Head                         |
| 7       | 532 17 86-52 | Rod, Interlock                          |
| 8       | 532 19 95-76 | Arm, Impeller Rod                       |
| 9       | 532 19 95-75 | Arm, Traction Rod                       |
| 10      | 532 19 95-31 | Panel, Control                          |
| 11      | 874 78 05-24 | Screw, Hex Head 5/16-18 x 1-1/2         |
| 12      | 874 78 05-28 | Screw, Hex Head 5/16-18 x 1-3/4         |
| 13      | 532 18 41-07 | Handle Tube, LH                         |
| 14      | 532 18 41-08 | Handle Tube, RH                         |
| 15      | 532 75 11-53 | Nut, Lock 5/16-18                       |
| 16      | 819 13 13-16 | Washer, Flat 3/8                        |
| 17      | 532 17 88-99 | Knob, Handle                            |
| 18      | 532 18 45-94 | Rod, Auger Control                      |
| 19      | 532 19 30-81 | Rod, Traction Control                   |
| 20      | 532 18 04-28 | End, Control Rod                        |
| 21      | 873 35 05-00 | Nut, Hex, Jam 5/16-18                   |
| 22      | 872 12 06-18 | Bolt, Carriage 3/8-16 x 2-1/4           |
| 23      | 532 18 40-87 | Handle Tube, Lower                      |
| 24      | 532 18 04-47 | Sleeve, Spring                          |
| 25      | 532 18 09-26 | Spring, Traction Drive                  |
| 26      | 532 17 86-69 | Spring, Auger Control                   |
| 27      | 817 00 06-16 | Screw, Hex Head 3/8-16 x 1              |
| 28      | 532 19 85-59 | Bushing, Pivot Lever                    |
| 30      | 532 18 29-06 | Console, Panel                          |
| 31      | 532 17 52-62 | Screw, Hex Head, Tapping #10-24 x 1-1/4 |
| 32      | 532 18 44-71 | Screw, Hex Head, Tapping #10-24 x 1/2   |
| 33      | 532 19 95-77 | Latch, Interlock                        |
| 34      | 532 18 04-02 | Bolt, Shoulder                          |
| 35      | 532 06 80-38 | Nut, Lock 1/4-20                        |
| 36      | 532 17 88-31 | Spring, Torsion                         |
| 37      | 532 19 38-85 | Spring, Interlock                       |
| 38      | 532 18 09-27 | Headlight, Flood (Includes Bulb)        |
| --      | 532 18 37-84 | Bulb, Flood                             |
| 39      | 532 17 86-68 | Bezel, Headlight                        |
| 40      | 532 17 87-70 | Harness, Headlight (Flood)              |
| 42      | 532 19 95-78 | Lever, Interlock                        |
| 43      | 532 19 96-38 | Rod, Latch, Interlock                   |
| 44      | 532 19 63-38 | Rod, Arm, Interlock                     |
| 45      | 532 70 02-79 | Clip                                    |
| 46      | 532 17 92-46 | Washer, Friction                        |

**NOTE:** All component dimensions given in U.S. inches. 1 inch = 25.4 mm**IMPORTANT:** Use only Original Equipment Manufacturer (O.E.M.) replacement parts. Failure to do so could be hazardous, damage your snow thrower and void your warranty.

# REPAIR PARTS

# DRIVE

SNOWTHROWER - MODEL NO. 1130SBE-OV (96193002100), PRODUCT NO. 961 93 00-21





**REPAIR PARTS****DRIVE****SNOW THROWER - MODEL NO. 1130SBE-0V (96193002100), PRODUCT NO. 961 93 00-21**

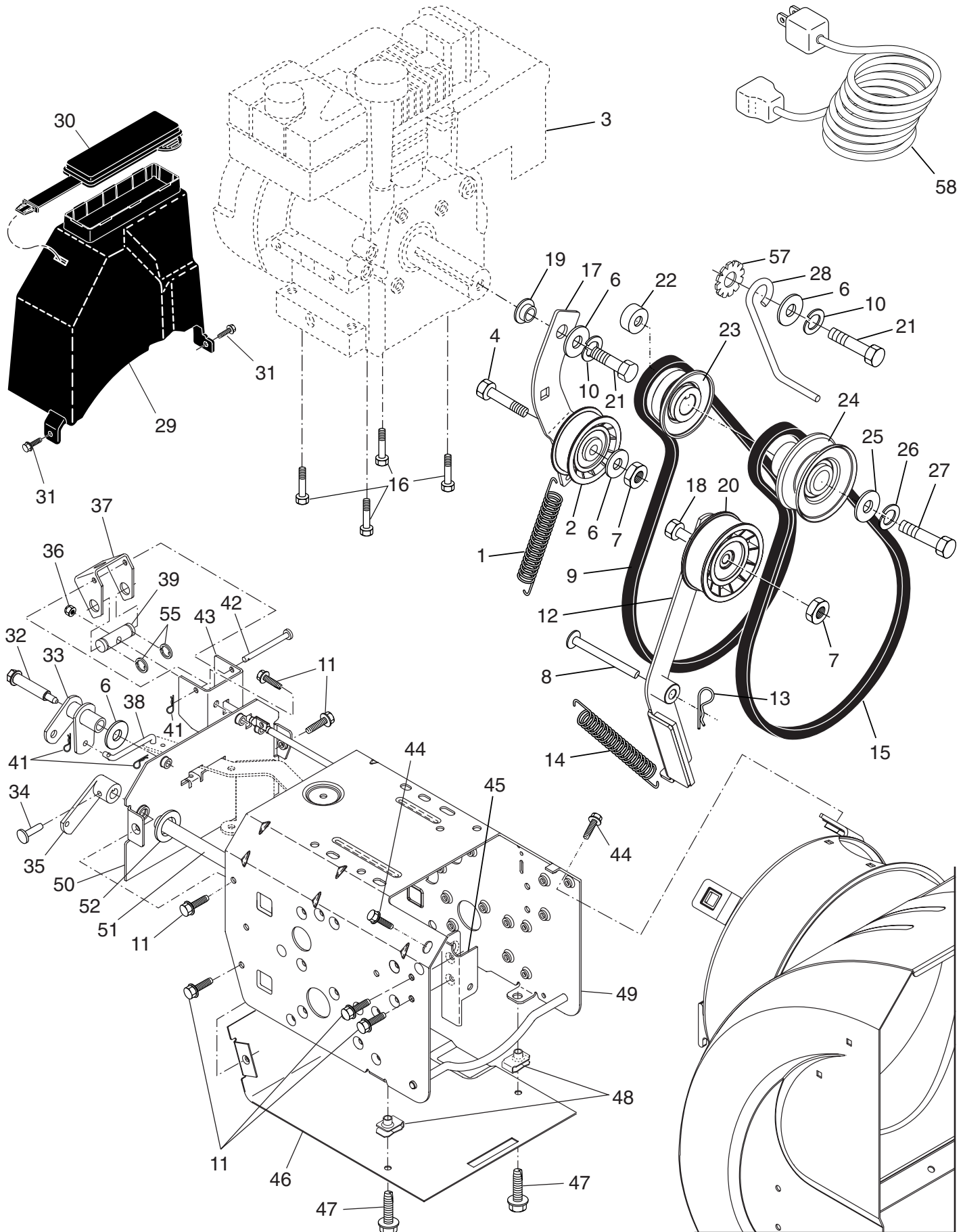
| KEY NO. | PART NO.     | DESCRIPTION                   |
|---------|--------------|-------------------------------|
| 1       | 532 19 85-84 | Screw, Hex Head 5/16-18 x 3/4 |
| 2       | 532 75 11-53 | Nut, Lock 5/16-18             |
| 4       | 532 19 85-84 | Screw, Hex Head 5/16-18 x 1/2 |
| 5       | 532 18 00-17 | Bearing, Flange               |
| 6       | 532 18 01-34 | Shaft, Auxiliary              |
| 7       | 532 17 92-70 | Spacer, Plate                 |
| 8       | 532 19 29-07 | Plate, Auxiliary              |
| 9       | 532 18 00-82 | Gear, Intermediate (12/58)    |
| 10      | 532 18 00-65 | Gear, Pinion                  |
| 11      | 532 18 77-14 | Rod, Clutch                   |
| 12      | 532 18 00-66 | Shaft, Long, Hex              |
| 13      | 532 17 88-07 | Pin, Pivot                    |
| 14      | 532 18 40-80 | Lever, Shifter / Wheel        |
| 15      | 532 17 53-44 | Trunnion Bearing Assembly     |
| 16      | 532 18 78-57 | Bracket, Pivot, Shift         |
| 17      | 532 17 98-31 | Ring, Rubber Wheel            |
| 18      | 532 19 95-09 | Plate, Rubber Wheel           |
| 19      | 873 93 05-00 | Nut, Lock 5/16-18             |
| 20      | 532 17 86-13 | Hub, Rubber Wheel             |
| 21      | 874 76 05-14 | Screw, Hex Head 5/16-18 x 7/8 |
| 22      | 532 08 51-79 | Retainer, Hairpin             |
| 23      | 532 18 01-35 | Spring, Bias                  |
| 24      | 532 18 00-81 | Gear, Axle (58 Teeth)         |
| 25      | 532 17 86-95 | Pin, Pivot Lever              |
| 26      | 532 19 77-63 | Plate Assembly, Drive         |
| 27      | 532 40 43-07 | Shaft, Axle                   |
| 28      | 532 19 77-64 | Shaft, Short Hex              |
| 29      | 532 18 40-77 | Lever, Shifter Plate          |
| 30      | 532 18 40-76 | Bracket, Shifter Support      |
| 31      | 872 27 05-05 | Bolt, Carriage 5/16-18 x 5/8  |
| 32      | 532 18 92-82 | Key, Square 1/4 x 1/4 x 7/8   |
| 33      | 532 18 89-09 | Bearing, Flange               |
| 34      | 532 18 40-75 | Plate, Drive Mounting         |
| 35      | 532 18 25-04 | Spacer, Bearing               |
| 36      | 532 19 10-80 | Pulley, Traction Drive        |
| 37      | 532 19 85-41 | Nut, Lock 5/16-18             |
| 38      | 819 11 15-07 | Washer, Flat                  |
| 39      | 532 19 88-52 | Washer, Lock 5/16             |
| 40      | 874 95 05-12 | Screw, Hex Head 5/16-18 x 3/4 |
| 41      | 812 00 00-12 | Ring, Retaining               |
| 43      | 532 17 90-95 | Spring, Return                |
| 44      | 532 18 42-06 | Pin, Roll                     |

**NOTE:** All component dimensions given in U.S. inches. 1 inch = 25.4 mm**IMPORTANT:** Use only Original Equipment Manufacturer (O.E.M.) replacement parts. Failure to do so could be hazardous, damage your snow thrower and void your warranty.

# REPAIR PARTS

# CHASSIS / ENGINE / PULLEYS

SNOWTHROWER - MODEL NO. 1130SBE-OV (96193002100), PRODUCT NO. 961 93 00-21



# REPAIR PARTS

# CHASSIS / ENGINE / PULLEYS

SNOW THROWER - MODEL NO. **1130SBE-0V** (96193002100), PRODUCT NO. 961 93 00-21

| KEY<br>NO. | PART<br>NO.         | DESCRIPTION   | KEY<br>NO. | PART<br>NO.  | DESCRIPTION                                  |
|------------|---------------------|---|------------|--------------|--|
| 1          | 532 18 10-44        | Spring, Traction Idler  | 27         | 532 85 10-84 | Screw, Hex Head 3/8-24 x 1-3/8               |
| 2          | 532 18 05-22        | Pulley, Idler (2-1/4)   | 28         | 532 15 54-52 | Guide, Belt                                  |
| 3          | - - -               | Engine, Tecumseh, Model Number OH318SA (For engine service and replacement parts, call Tecumseh Products at 1-800-558-5402) | 29         | 532 19 22-13 | Belt Cover Assembly (Includes Toolbox Cover) |
| 4          | 874 78 05-20        | Screw, Hex Head 5/16-18 x 1-1/4   | 30         | 532 17 88-30 | Cover, Toolbox                               |
| 6          | 532 05 92-89        | Washer, Flat  | 31         | 532 40 05-24 | Screw, Hex Head 1/4-20 x 1/2                 |
| 7          | 532 16 67-85        | Nut, Jam, Lock 5/16-18  | 32         | 532 17 92-56 | Bolt, Shoulder 5/16-18                       |
| 8          | 532 17 53-30        | Pin, Idler Pivot  | 33         | 532 18 78-53 | Bellcrank Shifter                            |
| 9          | 532 17 90-92        | V-Belt, Traction Drive  | 34         | 532 19 85-80 | Clevis Pin                                   |
| 10         | 532 19 85-52        | Washer, Lock 5/16   | 35         | 532 40 54-85 | Arm, Auger Control                           |
| 11         | 532 19 85-84        | Screw, Hex Head 5/16-18 x 1/2   | 36         | 873 80 05-00 | Nut, Lock 5/16-18                            |
| 12         | 532 17 92-59        | Impeller Arm / Pad Assembly   | 37         | 532 18 40-86 | Bellcrank                                    |
| 13         | 532 08 51-79        | Retainer, Hairpin   | 38         | 532 18 71-01 | Link, Speed Control                          |
| 14         | 532 17 88-28        | Spring, Brake   | 39         | 532 19 21-10 | Trunnion, Pivot Bracket                      |
| 15         | <b>532 40 80-08</b> | V-Belt, Impeller Drive  | 41         | 532 70 02-79 | Hairpin, Cotter 3/32 x 1/2                   |
| 16         | 532 15 04-06        | Screw, Hex Head 3/8-16 x 1-1/4  | 42         | 532 17 90-65 | Pin, Bellcrank                               |
| 17         | 532 18 48-04        | Arm, Idler  | 43         | 532 18 40-85 | Bracket, Bellcrank                           |
| 18         | 874 78 05-24        | Screw, Hex Head 5/16-18 x 1-1/2   | 44         | 817 00 06-16 | Screw, Hex Head                              |
| 19         | 532 19 85-59        | Bushing, Idler Pivot  | 45         | 532 18 40-74 | Pivot Bracket, Impeller Idler Arm            |
| 20         | 532 18 05-23        | Pulley, Idler (2-3/4)   | 46         | 532 18 40-84 | Pan, Frame Bottom                            |
| 21         | 874 61 05-16        | Screw, Hex Head 5/16-18 x 1   | 47         | 871 02 05-12 | Screw, Hex Head 5/16-18 x 3/4                |
| 22         | 532 17 93-71        | Spacer, Engine Pulley   | 48         | 532 18 11-56 | Nut, Speed 5/16-18                           |
| 23         | 532 18 04-78        | Pulley, Engine, Traction Drive  | 49         | 532 40 76-42 | Frame Assembly                               |
| 24         | 532 17 88-13        | Pulley, Engine, Impeller Drive  | 50         | 532 18 80-02 | Plate, Frame End                             |
| 25         | 532 40 00-26        | Washer, Flat 3/8  | 51         | 532 40 61-09 | Shaft, Auger Control                         |
| 26         | 532 85 02-63        | Washer, Lock, Helical 3/8   | 52         | 532 05 70-79 | Washer, Hardened                             |
|            |                     |   | 55         | 812 00 00-02 | Ring, Crescent                               |
|            |                     |   | 57         | 811 05 05-00 | Washer, Lock, External Tooth 5/16            |
|            |                     |   | 58         | 532 19 85-63 | Power Cord                                   |

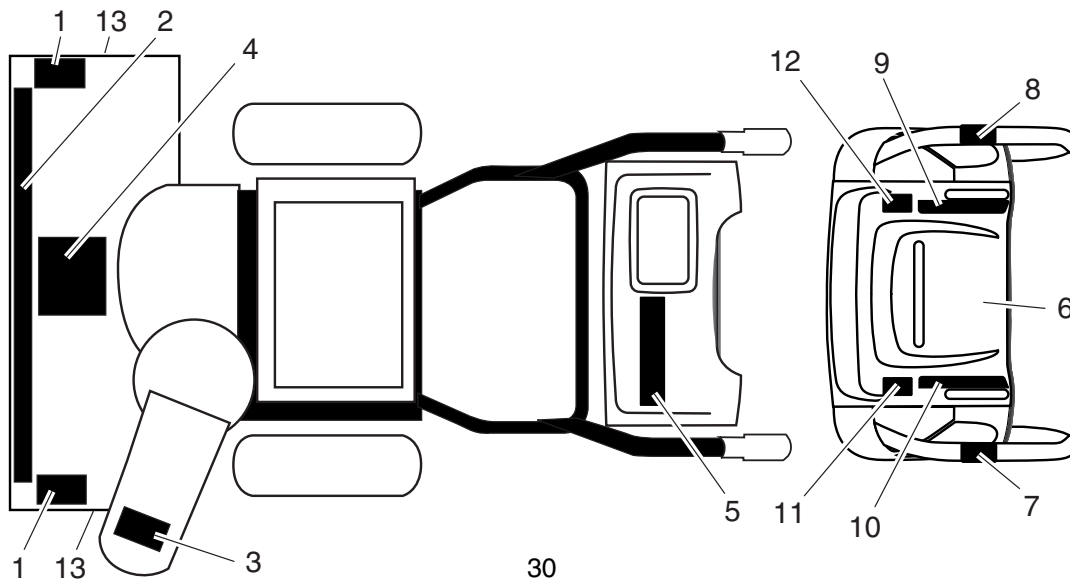
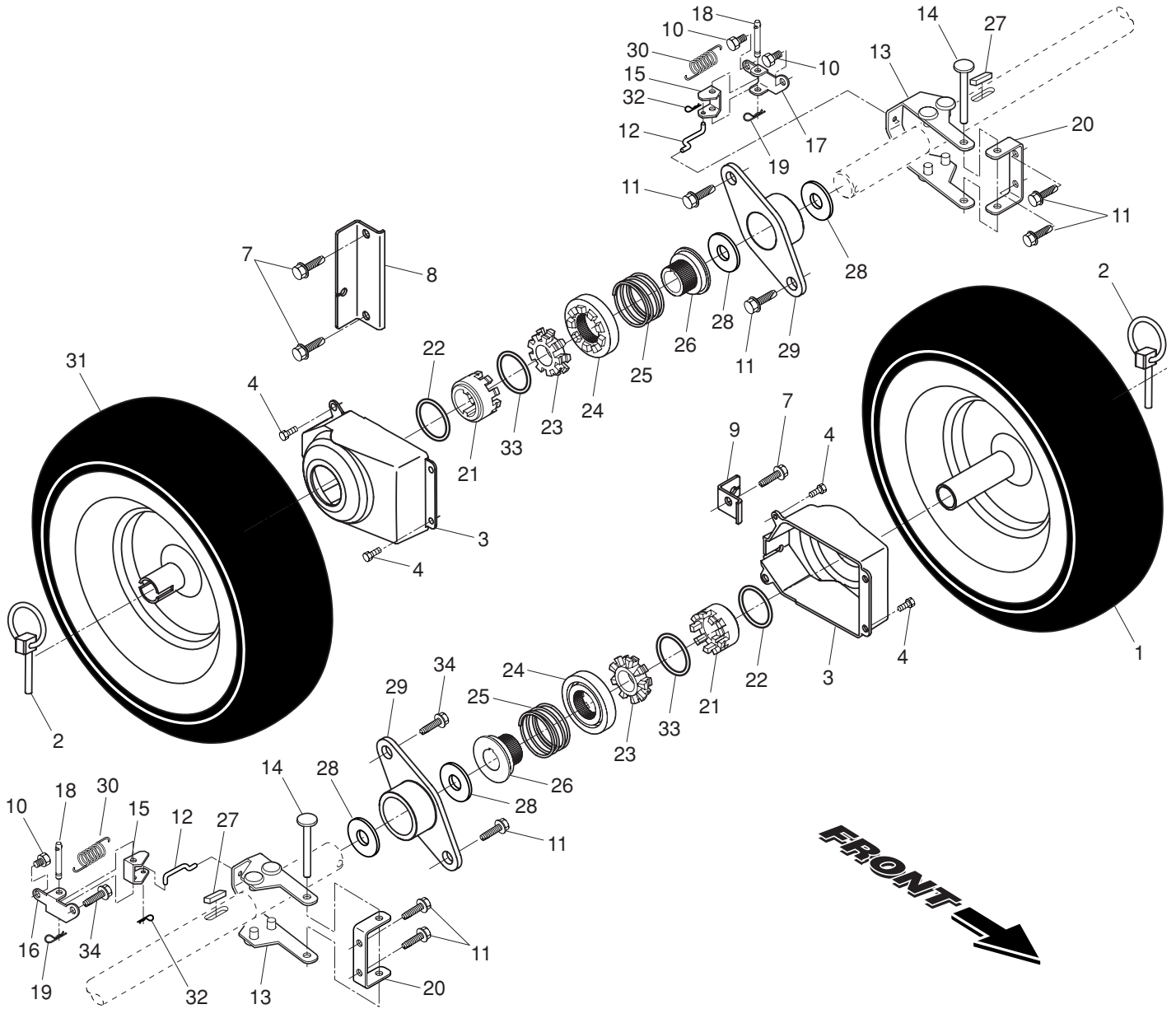
**NOTE:** All component dimensions given in U.S. inches. 1 inch = 25.4 mm

**IMPORTANT:** Use only Original Equipment Manufacturer (O.E.M.) replacement parts. Failure to do so could be hazardous, damage your snow thrower and void your warranty.

# REPAIR PARTS

# WHEELS / DECALS

SNOWTHROWER - MODEL NO. 1130SBE-OV (96193002100), PRODUCT NO. 961 93 00-21



## REPAIR PARTS

## WHEELS / DECALS

SNOW THROWER - MODEL NO. **1130SBE-OV** (96193002100), PRODUCT NO. 961 93 00-21

| KEY NO. | PART NO.     | DESCRIPTION                             |
|---------|--------------|---|
| 1       | 532 19 95-01 | Wheel Assembly, 16", Power Steering, LH |
| 2       | 532 15 54-43 | Pin, Klik 1/4                           |
| 3       | 532 40 51-61 | Cover, Power Steering                   |
| 4       | 532 18 44-71 | Bolt, Shoulder #10-24 x 5/8             |
| 7       | 817 00 06-16 | Capscrew, Hex Head, Flanged 3/8-16 x 1  |
| 8       | 532 18 78-59 | Bracket, Steering Cable, RH             |
| 9       | 532 18 78-58 | Bracket, Steering Cable, LH             |
| 10      | 817 60 04-06 | Screw, Hex Head 1/4-20 x 3/8            |
| 11      | 532 19 85-84 | Screw, Hex Head 5/16-18 x 1/2           |
| 12      | 532 40 60-57 | Link, Steering Lever                    |
| 13      | 532 40 78-37 | Yoke, Steering                          |
| 14      | 532 18 20-15 | Pin, Steering Lever                     |
| 15      | 532 19 95-18 | Bellcrank                               |
| 16      | 532 19 95-12 | Bracket Assembly, LH Steering           |
| 17      | 532 19 95-11 | Bracket Assembly, RH Steering           |
| 18      | 532 18 18-47 | Pin, Steering Bellcrank                 |
| 19      | 532 08 51-79 | Retainer, Hairpin                       |
| 20      | 532 18 41-97 | Bracket, Steering                       |
| 21      | 532 19 21-26 | Driver, Wheel                           |
| 22      | 532 18 24-66 | Ring, Wire Retainer                     |
| 23      | 532 18 76-22 | Lobe, Wheel                             |
| 24      | 532 19 49-41 | Slide, Clutch                           |
| 25      | 532 17 91-39 | Spring, Clutch Slide                    |
| 26      | 532 19 49-40 | Lobe, Axle                              |
| 27      | 532 18 92-82 | Key, Square                             |
| 28      | 532 17 46-97 | Washer, Thrust (1")                     |
| 29      | 532 17 98-30 | Bearing, Axle                           |
| 30      | 532 19 38-85 | Spring, Return                          |
| 31      | 532 19 95-02 | Wheel Assembly, 16", Power Steering, RH |
| 32      | 532 70 02-79 | Clip, Retainer                          |
| 33      | 812 00 00-45 | Ring, Retaining                         |
| 34      | 532 14 63-15 | Screw, Hex Head 5/16-18 x 5/8           |

| KEY NO. | PART NO.            | DESCRIPTION                  |
|---------|---------------------|------------------------------|
| 1       | 532 18 10-38        | Decal, Danger                |
| 2       | 532 19 13-78        | Decal, Husqvarna             |
| 3       | 532 18 10-34        | Decal, Danger, Deflector     |
| 4       | 532 18 10-41        | Decal, Danger                |
| 5       | 532 40 67-61        | Decal, Husqvarna, 1130SBE-OV |
| 6       | 532 18 10-32        | Decal, Instruction           |
| 7       | 532 15 57-98        | Decal, Traction Lever        |
| 8       | 532 15 58-00        | Decal, Auger Lever           |
| 9       | 532 18 10-36        | Decal, Speed Control         |
| 10      | 532 18 37-29        | Decal, Remote Deflector      |
| 11      | 532 18 39-07        | Decal, LH Trigger            |
| 12      | 532 18 39-05        | Decal, RH Trigger            |
| 13      | 532 15 57-94        | Decal, Husqvarna, Crown      |
| --      | 532 40 70-01        | Owner's Manual, English      |
| --      | <b>532 40 80-97</b> | Owner's Manual, French       |

**NOTE:** All component dimensions given in U.S. inches. 1 inch = 25.4 mm

**IMPORTANT:** Use only Original Equipment Manufacturer (O.E.M.) replacement parts. Failure to do so could be hazardous, damage your snow thrower and void your warranty.