

Parts manual

SC18A/968999509

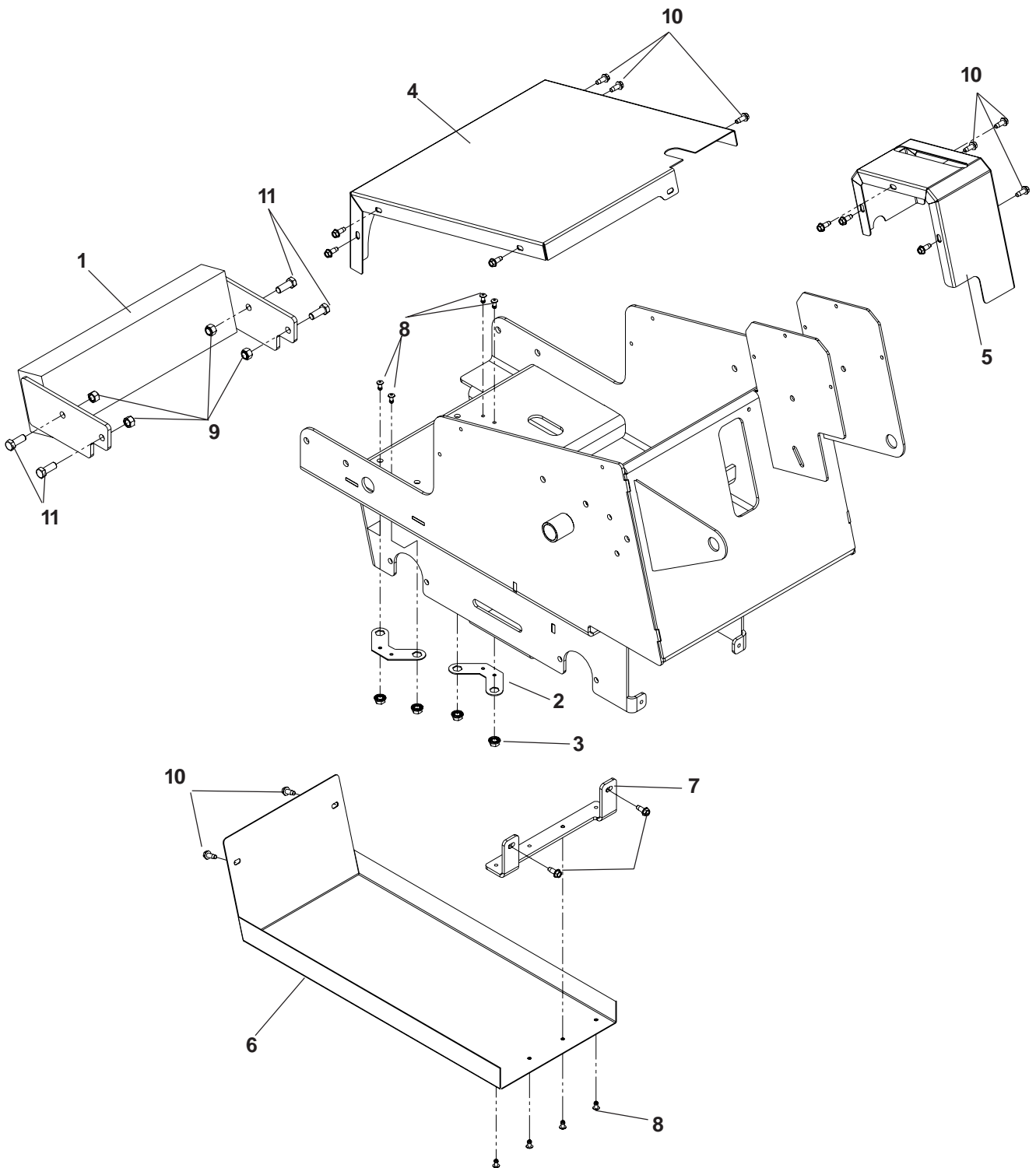
Please read the operator's manual carefully and make sure you understand the instructions before using the machine.

English

INDEX

CHASSIS AND COVERS	4
HANDLE	6
ENGINE AND DRIVE GROUP	8
BLADE DRIVE	10
DEPTH OF CUT GROUP	12
SHIFT GROUP	14
TRUNNION GROUP	16
AXLE GROUP	18
DECALS	20

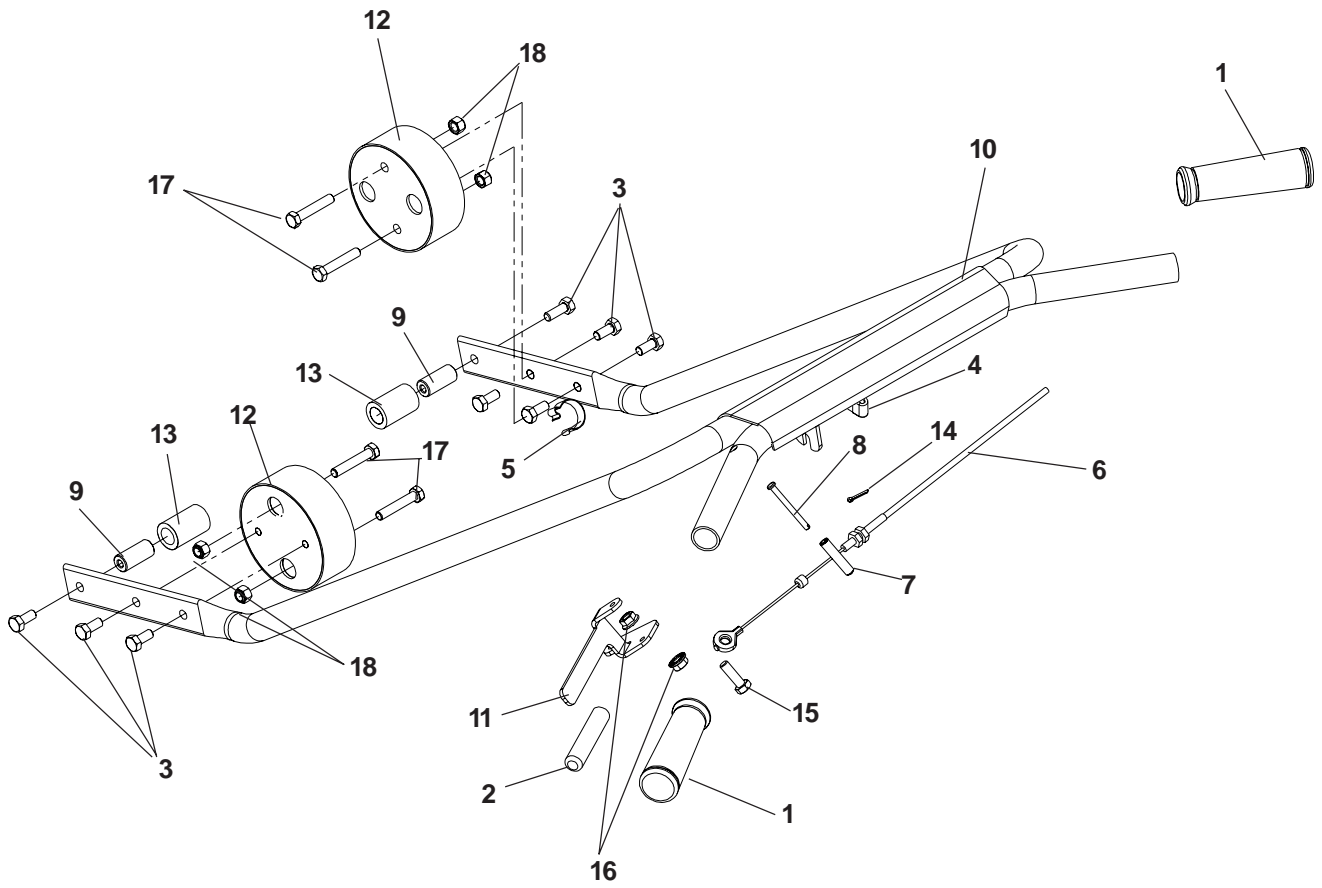
CHASSIS AND COVERS



CHASSIS AND COVERS

ITEM	PART NO.	QTY.	DESCRIPTION
1	539 112836	1	WEIGHT
2	539 112861	2	NUT PLATE
3	539 112899	4	NUT, 5/16-18, NYLOC
4	539 114003	1	COVER, TOP
5	539 114004	1	COVER, SHIFT
6	539 114006	1	BELLY PAN
7	539 114007	1	END BRACKET
8	539 200684	8	RIVET, 3/16
9	539 976979	4	NUT, 3/8-16, NYLOC
10	539 990362	17	SCREW, 1/4-20 X 5/8, SELF TAP
11	539 990563	4	HCS, 3/8-16 X 1, GR5

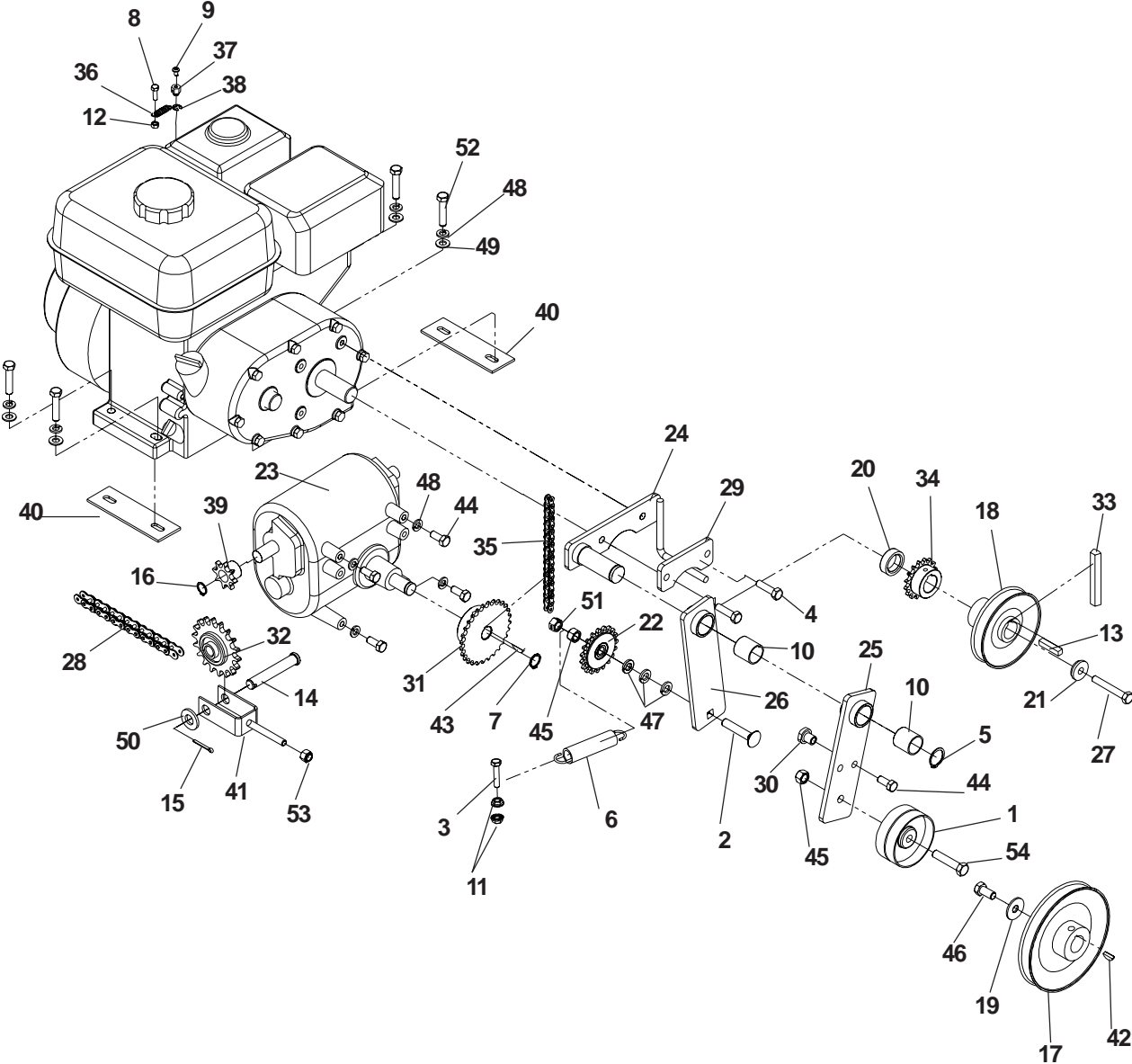
HANDLE



HANDLE

ITEM	PART NO.	QTY.	DESCRIPTION
1	539 000090	2	GRIP, HANDLE
2	539 101050	1	GRIP, VINYL
3	539 108519	6	HCS, M8-1.25 X 22MM, GR8.8
4	539 109867	1	TUBE CLAMP, DOUBLE
5	539 112870	2	CLIP, CABLE
6	539 113221	1	CABLE PULL
7	539 113222	1	ROLL PIN, 5/16 X 1 1/2
8	539 113223	1	PIN, CLEVIS
9	539 113454	2	STAND OFF
10	539 114013	1	HANDLE
11	539 114020	1	LEVER, THROTTLE
12	539 003144	2	HANDLE ATTACHMENT HARDWARE
13	539 030468	2	BUSHING
14	539 990037	1	PIN COTTER, 3/32 X 3/4
15	539 990209	1	HCS, 5/16-18 X 1, GR5
16	539 990585	2	NUT, 5/16-18, WHIZLK
17	539 990669	4	HCS, 5/16-18 X 1 3/4, GR5
18	539 990717	4	NUT, 5/16-18, NYLOC

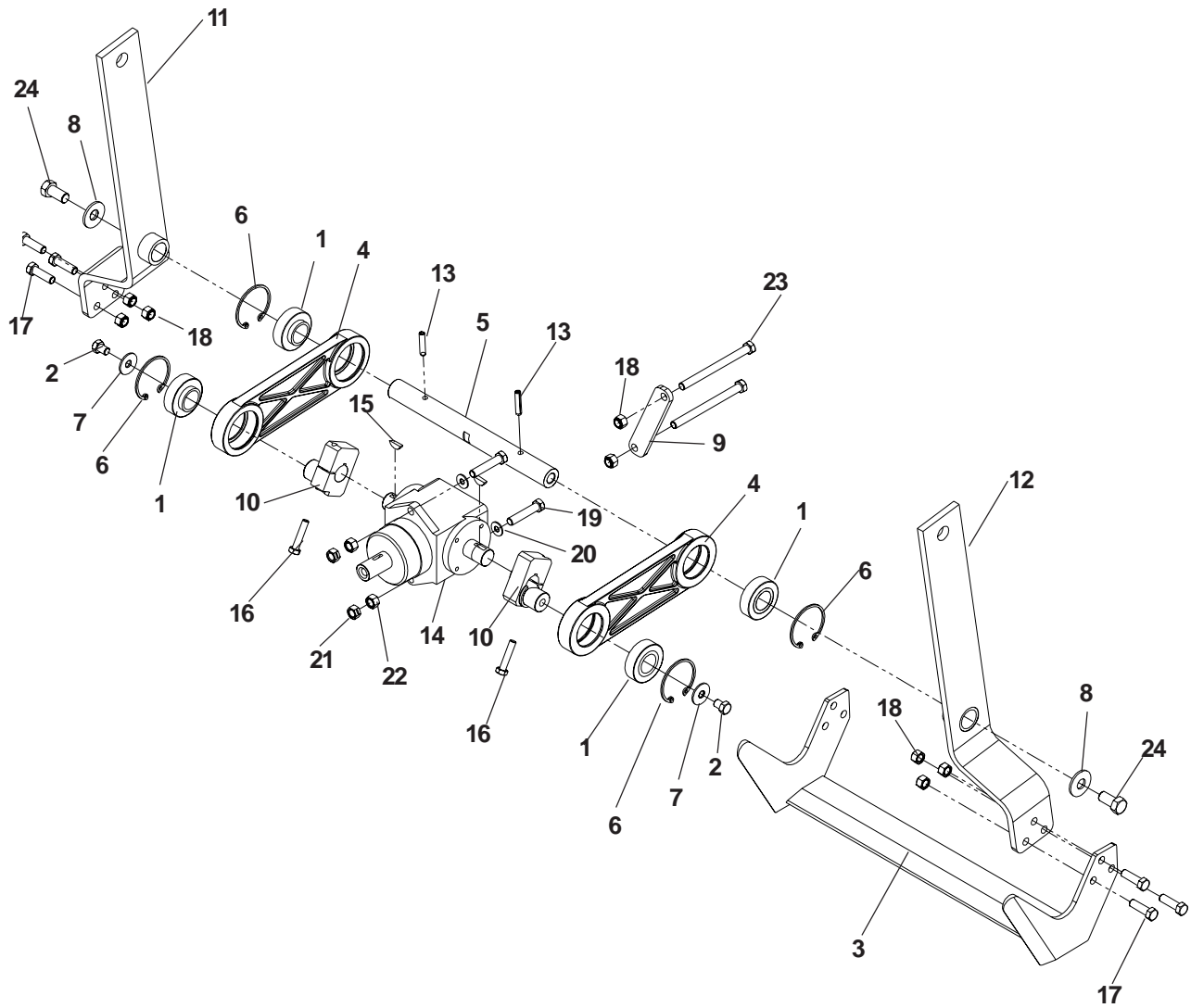
ENGINE AND DRIVE GROUP



ENGINE AND DRIVE GROUP

ITEM	PART NO.	QTY.	DESCRIPTION
1	539 000343	1	PULLEY, IDLER
2	539 100145	1	RHSNB, 3/8-16 X 2, GR5
3	539 100266	1	HCS, 1/4-20 X 1 1/4, GR5
4	539 100567	2	HCS, M8-1.25 X 30MM, GR8.8
5	539 101151	1	RING-RETAINING, EX 7/8
6	539 007195	1	SPRING, AXLE AERATOR
7	539 101971	1	RING-RETAINING, EXT 5/8
8	539 108520	1	HCS, M5-0.8 X 16MM, GR8.8
9	539 108583	1	SCREW, METRIC SPECIAL, 1/4
10	539 108619	2	BUSHING
11	539 108735	2	NUT, 1/4-20
12	539 109154	1	NUT, 5MM-.8
13	539 109159	1	KEY, 7MM SQ X 33MM
14	539 109216	1	PIN CLEVIS, 1/2 X 3
15	539 109246	1	PIN COTTER, 1/8 X 1
16	539 109984	1	RING RETAINING, 9/16, EXT
17	539 112463	1	PULLEY, 5.25
18	539 112464	1	PULLEY, 3.75
19	539 112483	1	SPRING, WASHER
20	539 112825	1	SPACER, PTO SHAFT
21	539 112826	1	WASHER, STEPPED
22	539 112833	1	SPROCKET, IDLER 35 PITCH
23	539 112854	1	TRANSMISSION, 4 SPEED
24	539 112855	1	IDLER PIVOT
25	539 112869	1	IDLER ARM
26	539 112868	1	IDLER, CHAIN
27	539 112859	1	HCS, M8-1.25 X 55MM, GR8.8
28	539 112875	1	CHAIN, TRANSMISSION, #40
29	539 113180	1	KEEPER - CHAIN
30	539 113455	1	SPRING ANCHOR
31	539 003148	1	SPROCKET TRANSMISSION
32	539 003134	1	SPROCKET, CHAIN TENSIONER
33	539 003106	1	V-BELT
34	539 003109	1	SPROCKET, ENGINE
35	539 003107	1	CHAIN, TRANSMISSION #35
36	539 030445	1	SPRING, THROTTLE
37	539 030449	1	CLAMP, THROTTLE CABLE
38	539 030451	1	CLIP, THROTTLE
39	539 003149	1	SPROCKET, #40 CHAIN, 8 TOOTH
40	539 007203	2	SMALL ENGINE PLATE
41	539 003133	1	CHAIN TENSIONER
42	539 910008	1	KEY, WOODRUFF #6
43	539 910211	1	KEY, WOODRUFF #9
44	539 976934	5	HCS, 5/16-18 X 3/4, GR5
45	539 976979	2	NUT, 3/8-16, NYLOC
46	539 977748	1	HCS, 3/8-24 X 3/4, GR5
47	539 990118	3	WASHER, 3/8
48	539 990187	8	WASHER, 5/16
49	539 990188	4	WASHER, 5/16, SAE
50	539 990250	1	WASHER, 1/2, SAE
51	539 990546	1	NUT, 3/8-16, CENTERLOCK
52	539 990669	4	HCS, 5/16-18 X 1 3/4, GR5
53	539 990717	1	NUT, 5/16-18, NYLOC
54	539 990730	1	HCS, 3/8-16 X 1 3/4, GR5

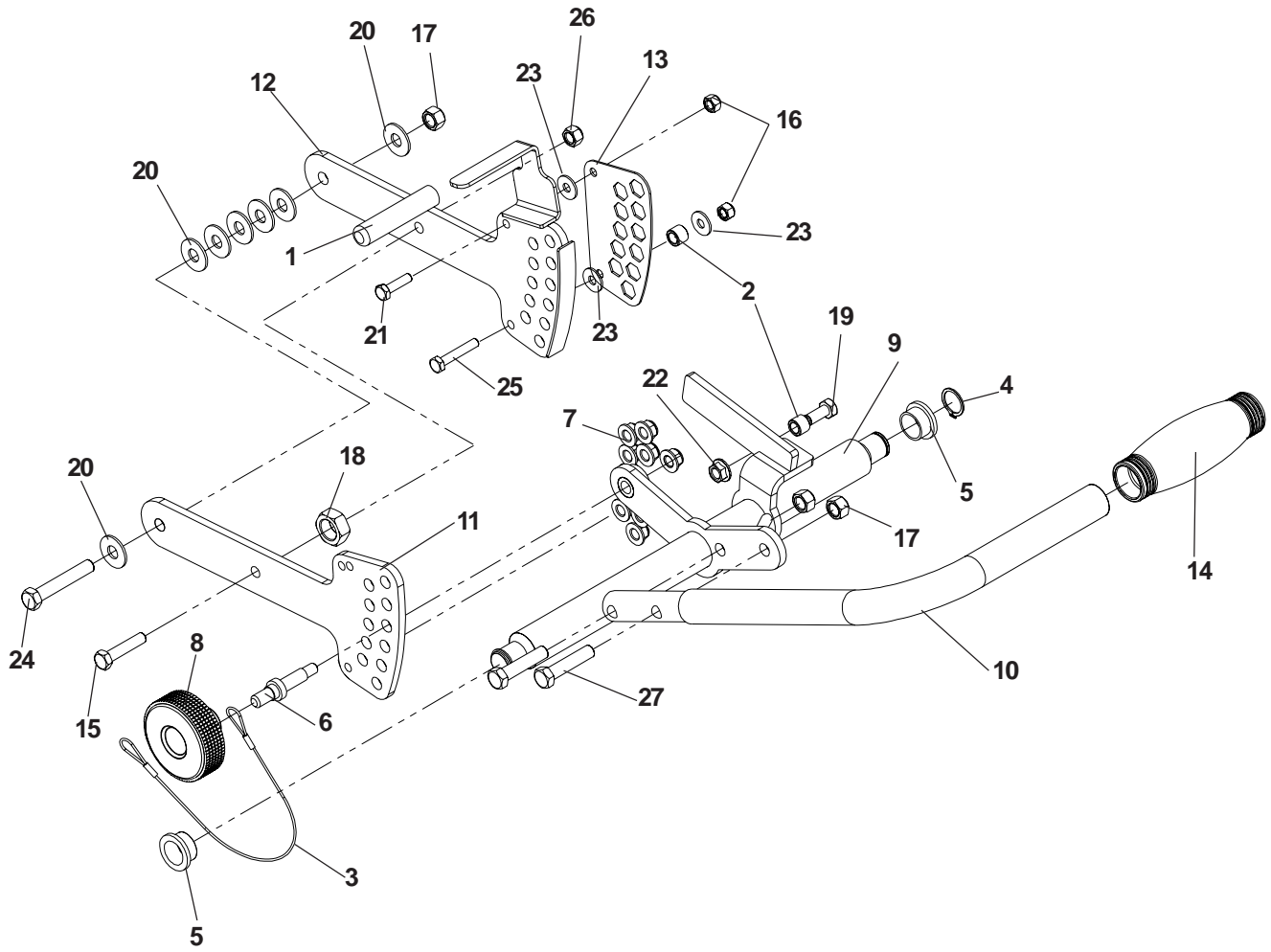
BLADE DRIVE



BLADE DRIVE

ITEM	PART NO.	QTY.	DESCRIPTION
1	539 102677	4	BUSHING
2	539 106776	2	HCS, 3/8-16 X 1/2, GR5
3	539 113449	1	BLADE
4	539 112465	2	LINK, CONNECTING
5	539 112471	1	SHAFT, BLADE
6	539 112482	4	SNAP RING, 52MM
7	539 112483	2	SPRING WASHER, 3/8
8	539 112484	2	SPRING WASHER, 1/2
9	539 112850	1	STRAP
10	539 112872	2	ECCENTRIC
11	539 112873	1	BLADE ARM, RIGHT
12	539 112874	1	BLADE ARM, LEFT
13	539 112879	2	SPRIAL PIN, 1/4 DIA. X 1 1/4
14	539 003131	1	GEAR BOX
15	539 910211	2	KEY, WOODRUFF #9
16	539 976935	2	HCS, 5/16-18 X 1 1/2, GR5
17	539 976941	6	HCS, 3/8-16 X 1 1/4, GR5
18	539 976979	8	NUT, 3/8-16, NYLOC
19	539 977670	2	HCS, 3/8-24 X 1 3/4, GR8
20	539 990122	2	WASHER, 3/8, SAE
21	539 990155	2	NUT, 3/8-24, GR2
22	539 990289	2	NUT, 3/8-24, CENTERLOCK, GR5
23	539 990591	2	HCS, 3/8-16 X 4 1/2, GR5
24	539 990646	2	HCS, 1/2-13 X 1, GR5

DEPTH OF CUT GROUP



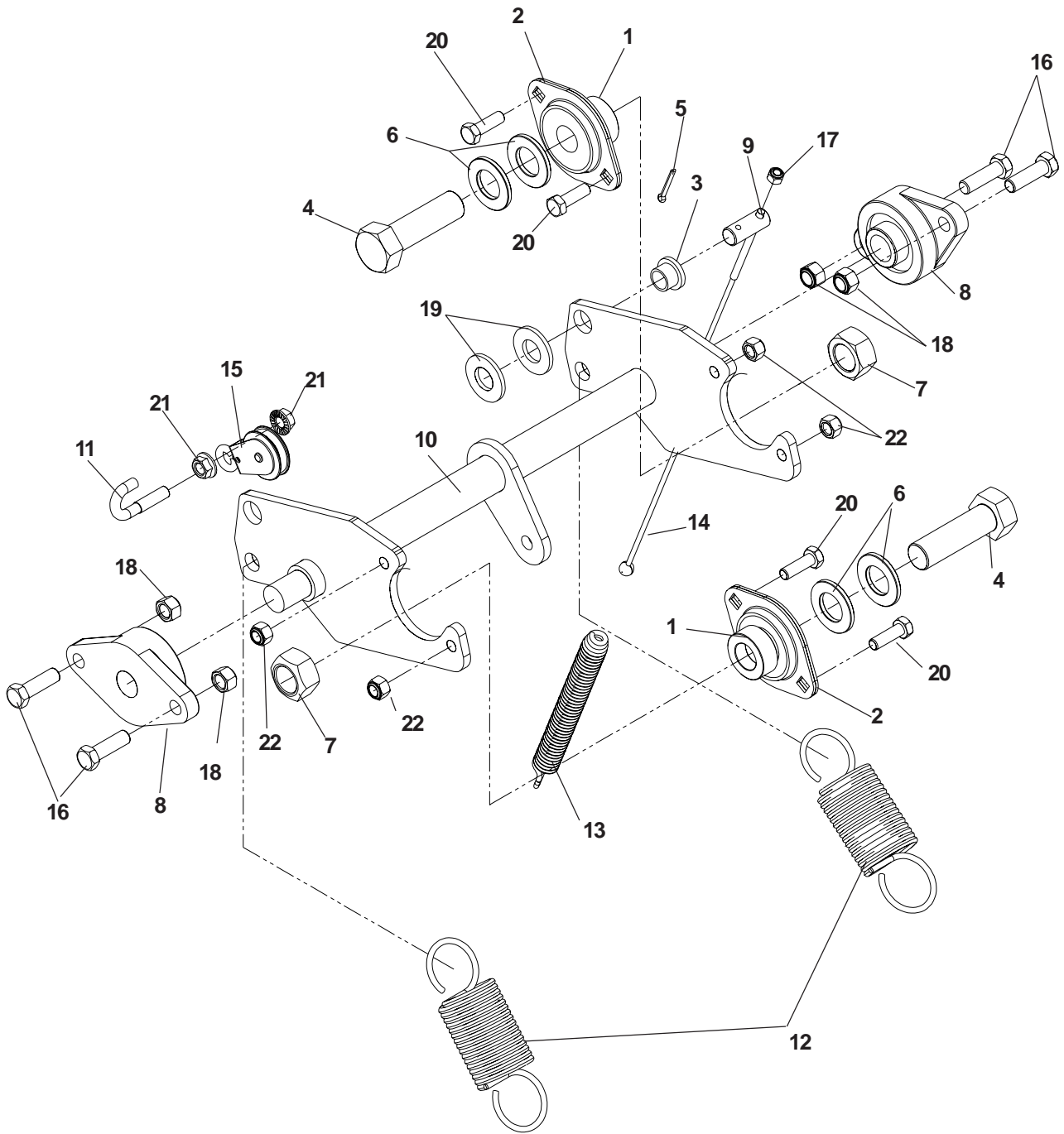
DEPTH OF CUT GROUP

ITEM	PART NO.	QTY.	DESCRIPTION
1	539 101050	1	GRIP, VINYL
2	539 102827	2	SPACER
3	539 105059	1	LANYARD
4	539 112496	2	SNAP RING, 3/4
5	539 112895	2	BEARING, FLANGE
6	539 112897	1	STUD, ADJUSTER
7	539 112899	11	NUT, 5/16-18, NYLOC
8	539 113452	1	KNOB
9	539 114015	1	SHAFT
10	539 114016	1	HANDLE
11	539 114017	1	ADJUSTER
12	539 114018	1	ADJUSTER, RIGHT
13	539 114019	1	PLATE - ADJUSTER NUT
14	539 976488	1	GRIP HANDLE
15	539 976935	1	HCS, 5/16-18 X 1 1/2, GR5
16	539 976978	2	NUT, 1/4-20, NYLOC
17	539 976979	3	NUT, 3/8-16, NYLOC
18	539 976980	1	NUT, 5/8-18
19	539 990206	1	HCS, 5/16-18 X 3/4, GR5
20	539 990517	7	WASHER, 3/8
21	539 990548	1	HCS, 1/4-20 X 1, GR5
22	539 990585	1	NUT, 5/16-18, WHIZLK
23	539 990598	3	WASHER, 1/4
24	539 990629	1	HCS, 3/8-16 X 2 1/4, GR5
25	539 990639	1	HCS, 1/4-20 X 1 1/2, GR5
26	539 990717	1	NUT, 5/16-18, NYLOC
27	539 990730	2	HCS, 3/8-16 X 1 3/4, GR5

SHIFT GROUP

ITEM	PART NO.	QTY.	DESCRIPTION
1	539 100526	1	SPACER
2	539 102590	1	END BALL, RIGHT
3	539 102754	1	HCS, 3/8-16 X 3 1/2, GR8
4	539 109332	1	NUT, 3/8-16, JAM
5	539 109758	2	NUT, 5/16-24
6	539 112490	1	SHAFT, SHIFT PIVOT
7	539 112852	1	SHIFT ROD
8	539 112877	1	KNOB, SHIFT
9	539 114009	1	SHIFT LEVER
10	539 003137	1	ROD END, 5/16, MALE
11	539 003147	2	ROD END, 3/8-24, FEMALE
12	539 003135	1	SHIFT ARM, TRANSMISSION
13	539 003136	1	SHIFT, BELL CRANK
14	539 976941	2	HCS, 3/8-16 X 1 1/4, GR5
15	539 976979	1	NUT, 3/8-16, NYLOC
16	539 990053	1	WASHER, 1/4
17	539 990055	1	WASHER, 1/4, SAE
18	539 990100	1	HCS, 1/4-28 X 5/8, GR5
19	539 990155	2	NUT, 3/8-24, GR2
20	539 990206	2	HCS, 5/16-18 X 3/4, GR5
21	539 990546	1	NUT, 3/8-16, CENTERLOCK
22	539 990692	2	WASHER, 5/16

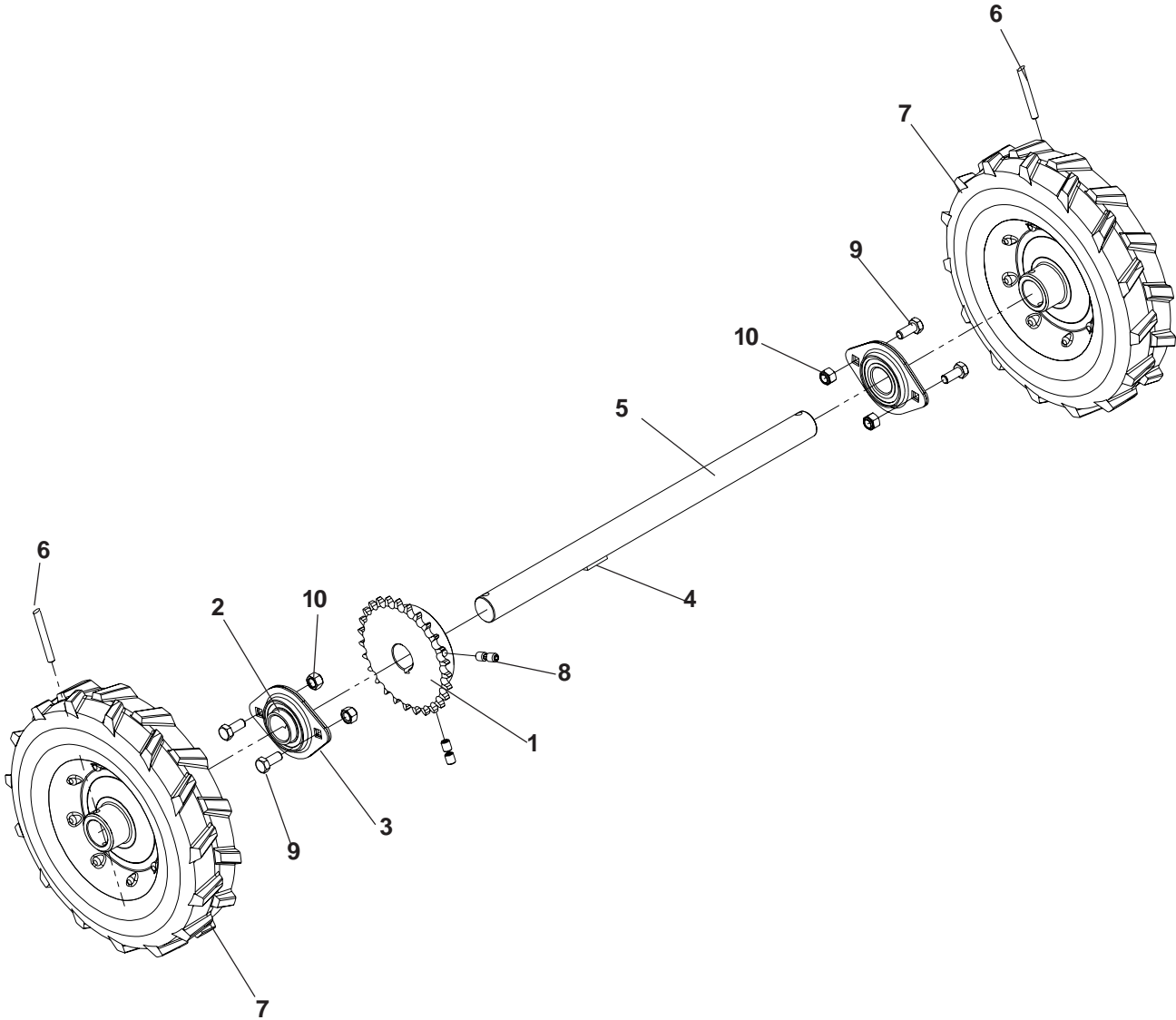
TRUNNION GROUP



TRUNNION GROUP

ITEM	PART NO.	QTY.	DESCRIPTION
1	539 000315	2	BEARING, 3/4" W/LOCKING COLLAR
2	539 000316	4	FLANGE, BEARING
3	539 100032	1	BUSHING, NYLON
4	539 108438	2	HCS, 3/4-16 X 2 1/2, GR5
5	539 109246	1	PIN COTTER, 1/8 X 1
6	539 109333	4	WASHER, 3/4, SAE
7	539 110800	2	NUT, 3/4-16
8	539 112478	2	BEARING, 3/4-2, BOLT
9	539 112824	1	PIN, CABLE PIVOT
10	539 112834	1	TRUNNION SHAFT
11	539 112896	1	J-BOLT
12	539 113185	2	SPRING, EXTENSION
13	539 113377	1	SPRING, EXTENSION, CABLE
14	539 113378	1	CABLE, PULL
15	539 003114	1	BRACKET PULLEY
16	539 976941	4	HCS, 3/8-16 X 1 1/4, GR5
17	539 976977	1	NUT, #10-24, NYLOC
18	539 976979	4	NUT, 3/8-16, NYLOC
19	539 976982	2	WASHER, 5/8, SAE
20	539 990209	4	HCS, 5/16-18 X 1, GR5
21	539 990585	2	NUT, 5/16-18, WHIZLK
22	539 990717	4	NUT, 5/16-18, NYLOC

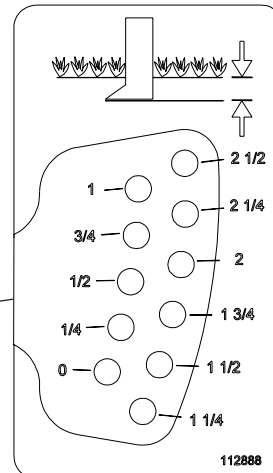
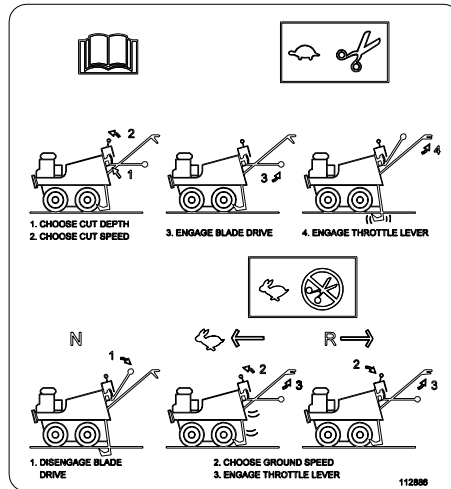
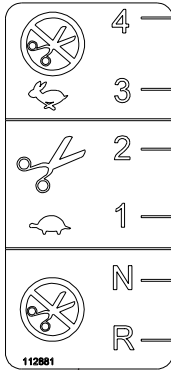
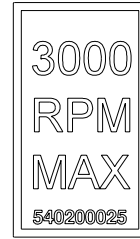
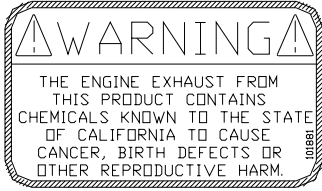
AXLE GROUP



AXLE GROUP

ITEM	PART NO.	QTY.	DESCRIPTION
1	539 000303	1	SPROCKET, ROTOR
2	539 000317	2	BEARING, 1" W/LOCKING COLLAR
3	539 000318	4	FLANGE, BEARING
4	539 105308	1	KEY, 1/4 SQ X 1
5	539 112823	1	AXLE
6	539 113453	2	SPRIAL PIN, 1/4 X 1 1/2
7	539 003123	2	WHEEL
8	539 976956	4	SCREW, 5/16-18 X 3/8, SET
9	539 990206	4	HCS, 5/16-18 X 3/4, GR5
10	539 990717	4	NUT, 5/16-18, NYLOC

DECALS



DECALS

ITEM	PART NO.	QTY.	DESCRIPTION
1	539 101881	1	DECAL, PROP 65
2	539 112881	1	DECAL, SHIFT
3	539 112886	1	DECAL, OPERATION
4	539 112888	1	DECAL, DEPTH OF CUT
5	540 200025	1	DECAL, 3000 MAX RPM
6	540 200076	1	DECAL, DANGER FOOT
	539 111047	2	DECAL, HUSQVARNA, 12" (NOT SHOWN)
	539 111049	1	DECAL, HUSQVARNA, 9 1/4" (NOT SHOWN)

