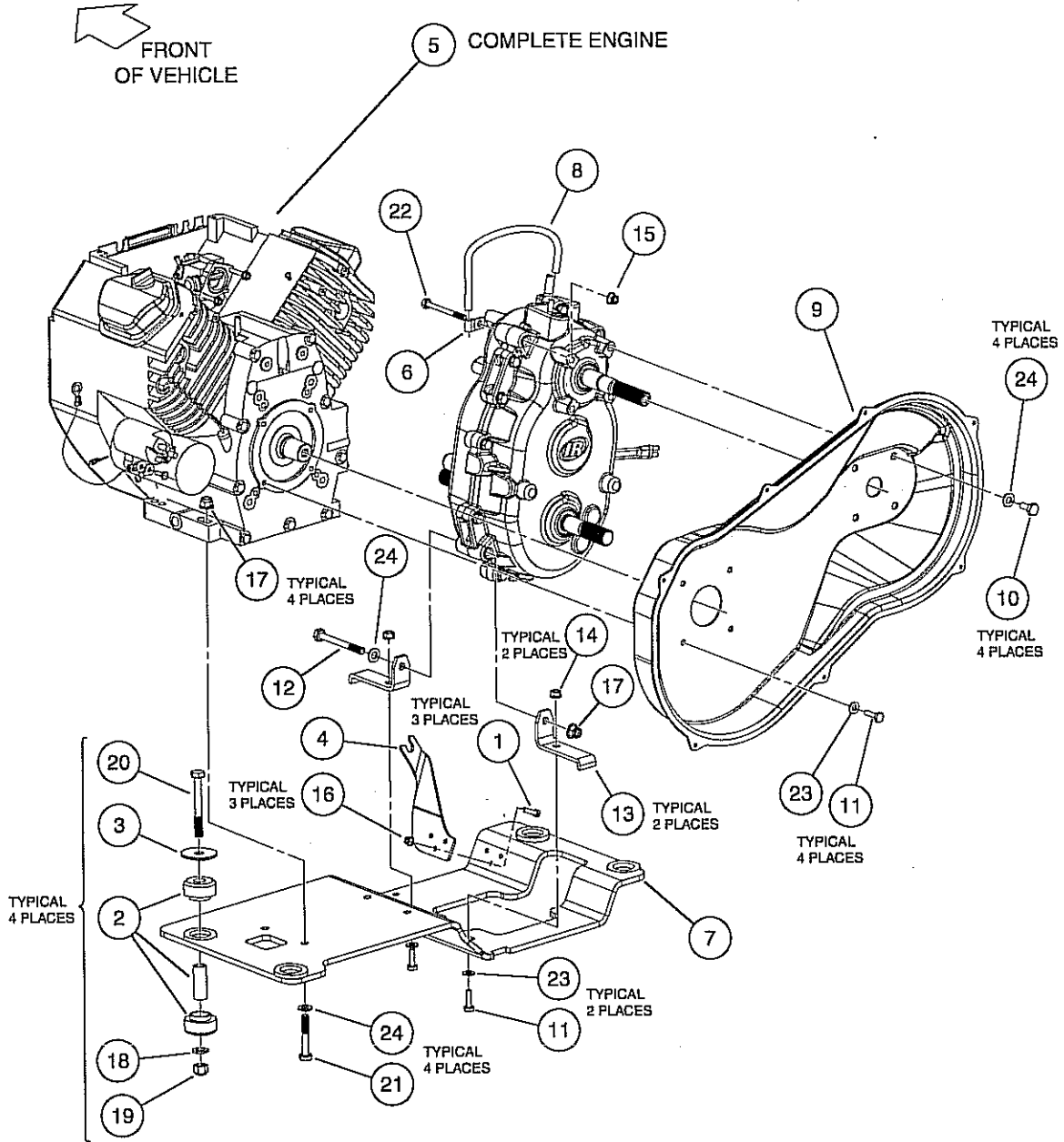


HONDA GX620 GASOLINE ENGINE

7

G

GASOLINE ENGINE



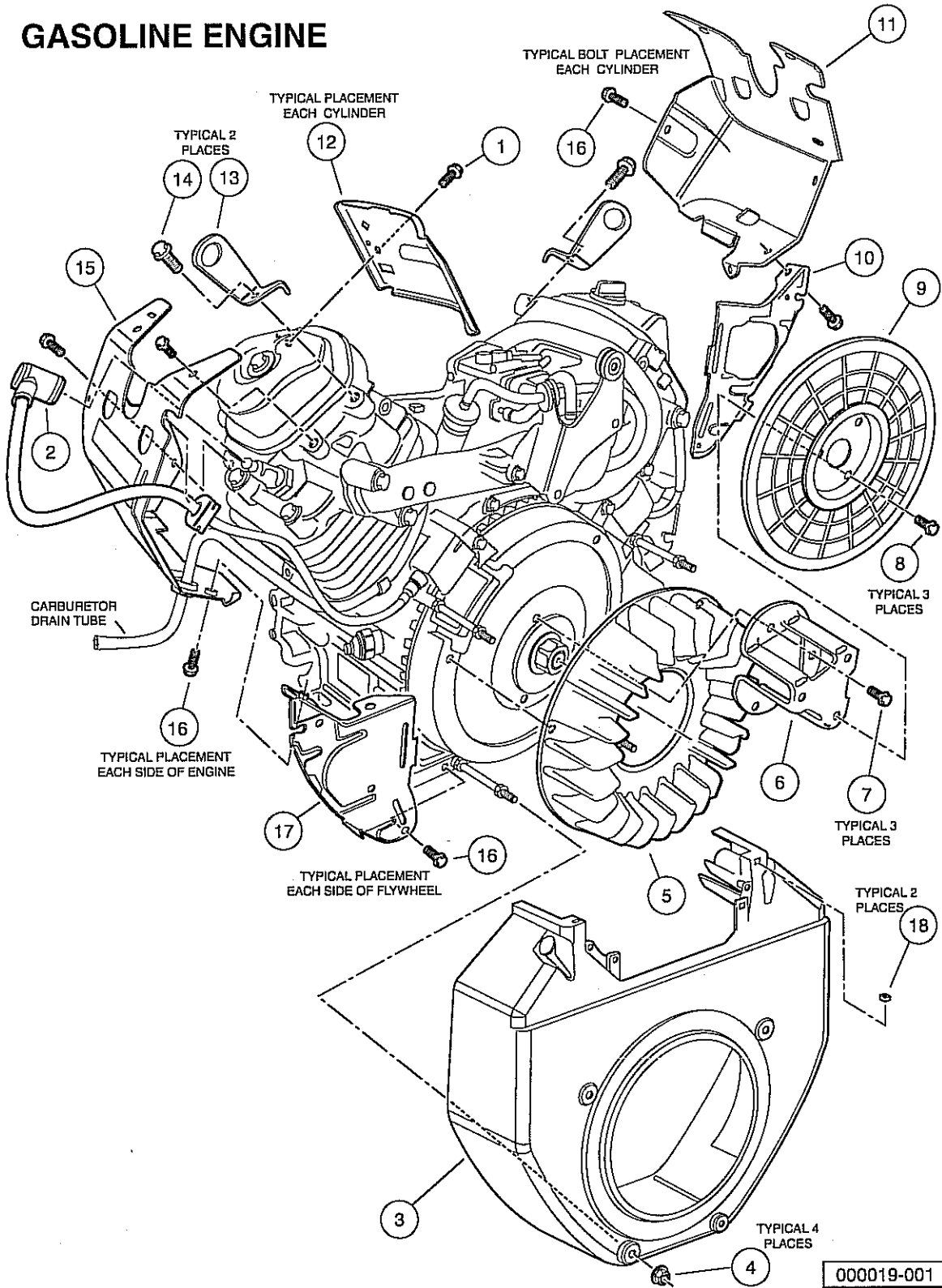
000025-003

HONDA GX620 GASOLINE ENGINE MOUNTING

7
G

ITEM	PART NO.	DESCRIPTION	QTY
		1 2 3 4	
1	603 00 01-57	Screw, M6-1.00 X 25mm Hex Cap	3
2	603 00 09-08	Isolator Ring and Bushing	4
3	603 00 09-09	Washer, Snubbing, Ring N Bush	4
4	603 00 09-37	Bracket, FNR Trans Cable	1
5	603 00 35-57	Engine, Gasoline, Honda GX620 (complete)	1
6	603 00 09-66	P-clamp, Insulated .312 In	1
7	603 00 09-86	Plate, Eng Mtg, Weld, Honda	1
8	603 00 11-11	Hose, Vent, Transmission	1
9	603 00 11-14	Cover, CVT Inner, Honda	1
10	603 00 11-65	Bolt, M10 X 1.5 X 20 Loctite	4
11	603 00 11-66	Bolt, M8 X 1.25 X 25 Loctite	6
12	603 00 11-69	Bolt, M10 X 1.5 X 100 Loctite	1
13	603 00 11-86	Bracket, Transmission Mounting	2
14	603 00 35-92	Nut Flg, M8 X 1.25 Mech Def	2
15	603 00 13-08	Lock Nut, Flg M8 X 1.25 Nylon	1
16	603 00 13-17	Nut Flg, M6 X 1.0 Nylon	3
17	603 00 15-86	Nut Flg M10 X 1.5 Nylon	5
18	603 00 04-37	Washer, M12 Hard	4
19	N/A	Locknut, M12x1.75 Nylon Insert	4
20	603 00 04-40	Bolt, M12 X 1.75 X 90	4
21	603 00 04-41	Bolt, M10 X 1.5 X 60	4
22	603 00 04-49	Bolt, M8 X 1.25 X 80	1
23	603 00 04-50	Washer, M8 Hard	6
24	603 00 04-51	Washer, M10 Hard	9

GASOLINE ENGINE



000019-001

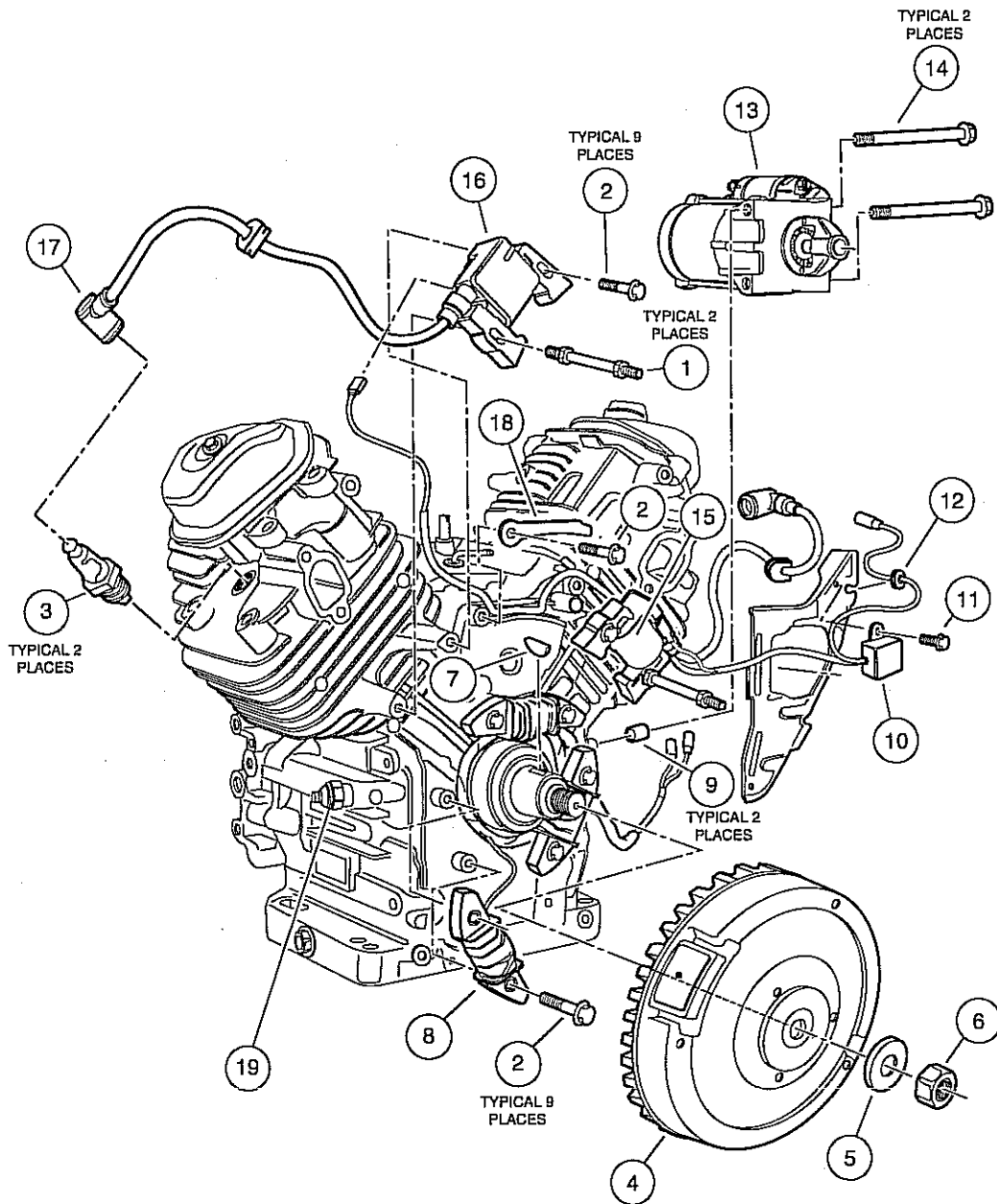
SHROUDS AND BRACKETS

ITEM	PART NO.	DESCRIPTION	QTY
		1 2 3 4	
1	603 00 14-83	Bolt, Flange Head, M6 X 11 X 4	2
2	603 00 15-68	Cap Assy, Noise Suppressor	2
3	603 00 15-69	Cover, Fan, Bright Red	1
4	603 00 15-70	Nut, Flange, M6	4
5	603 00 15-71	Fan, Cooling	1
6	603 00 15-72	Holder, Screen Grid	1
7	603 00 15-73	Bolt, Flange Head, M8 X 1.25 X 16	3
8	603 00 15-74	Bolt, Flange Head, M6 X 1 X 12	3
9	603 00 15-75	Grid Screen, PTO	1
10	603 00 15-76	Plate, R Side	1
11	603 00 15-77	Shroud, R	1
12	603 00 15-78	Shroud, Head	2
13	603 00 15-79	Hanger, Engine	2
14	603 00 15-80	Bolt, Flange Head, M8 X 1.25 X 20	2
15	603 00 15-81	Shroud, L	1
16	603 00 15-83	Bolt, Flange Head, M6 X 1 X 12	6
17	603 00 15-84	Plate, L Side	1
18	603 00 17-78	Nut, Square, 5mm	2
<p>Note: The part number for a complete engine is 102402701.</p>			

7

G

GASOLINE ENGINE



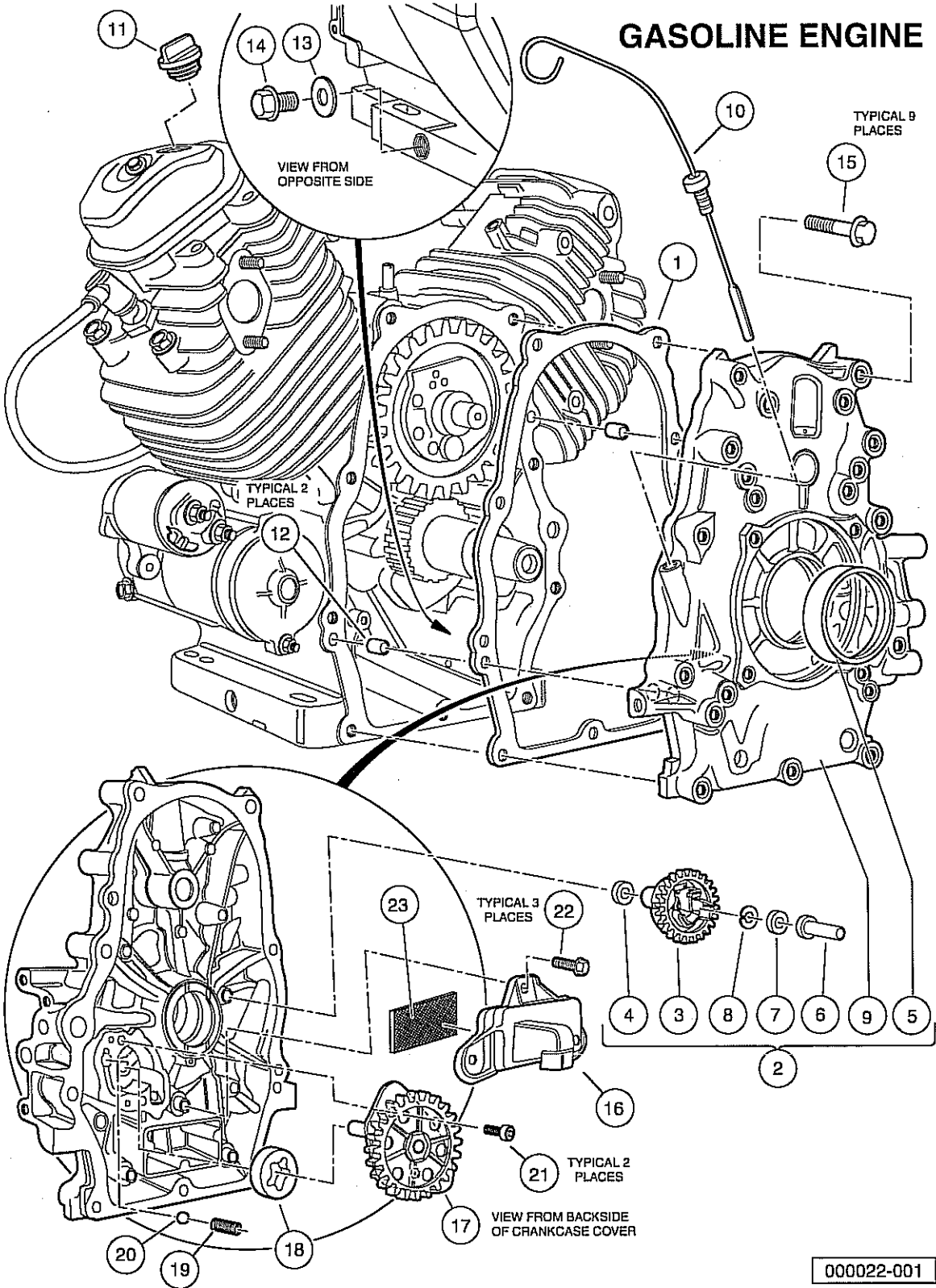
000018-001

IGNITION COMPONENTS AND FLYWHEEL

7
G

ITEM	PART NO.	DESCRIPTION	QTY
		1 2 3 4	
1	603 00 14-62	Stud, Engine	2
2	603 00 15-32	Bolt, Flange Head, M6 X 1 X 32	9
3	603 00 00-39	Spark Plug, BPR2ES, NGK	2
4	603 00 15-55	Flywheel	1
5	603 00 35-93	Washer, M20	1
6	603 00 15-56	Nut, Flange, M20	1
7	603 00 15-58	Key, Special Woodruff, 25 X 18	1
8	603 00 15-59	Coil Assy, Charge, 12-Volt, 20-Amp	3
9	603 00 15-60	Pin, Dowel, 10x12	2
10	603 00 15-61	Diode Assembly	1
11	603 00 15-62	Bolt, Flange Head, M6 X 1 X 8	1
12	603 00 15-63	Grommet, Tool	1
13	603 00 15-64	Motor, Starter	1
14	603 00 15-65	Bolt, Flange Head, M8 X 1.25 X 110	2
15	603 00 15-66	Coil Assy, R, Ignition	2
16	603 00 15-67	Coil Assy, L, Ignition	2
17	603 00 15-68	Cap Assy, Noise Suppressor	2
18	603 00 15-82	Clamp, Wire	1
19	603 00 19-34	Switch, Oil Pressure	1

GASOLINE ENGINE



00022-001

OIL CIRCULATION

ITEM	PART NO.	DESCRIPTION	QTY
		1 2 3 4	
1	603 00 14-87	Gasket, Case Cover	1
2	603 00 14-88	Cover Assembly, Crankcase (includes items 3 through 9)	1
3	603 00 14-95	Governor Assembly	1
4	603 00 15-03	Washer, Plain, M6	1
5	603 00 16-90	Seal, Oil, 38 X 58 X 9	1
6	603 00 16-91	Slider, Governor	1
7	603 00 16-92	Washer, 6 X 16	1
8	603 00 16-93	Clip, Governor	1
9	N/A	Cover, Crankcase	1
10	603 00 14-89	Dipstick, Oil	1
11	603 00 14-90	Cap, Oil Filler	1
12	603 00 14-91	Pin A, Dowel, 8 X 14	2
13	603 00 14-92	Washer, Drain Plug, M14	1
14	603 00 14-93	Bolt, Drain Plug , M14	1
15	603 00 14-94	Bolt, Flange Head, M8 X 1.25 X 50	9
16	603 00 14-96	Cover, Oil Filter	1
17	603 00 14-97	Cover Assembly, Oil Pump	1
18	603 00 14-98	Rotor, Oil Pump, Outer	1
19	603 00 14-99	Spring, Relief Valve	1
20	603 00 15-00	Ball, Steel , 3/8, #12	1
21	603 00 15-01	Bolt, Socket	2
22	603 00 15-02	Bolt, Flange Head, M6 X 1 X 20	3
23	603 00 16-94	Screen, Oil Filter	1

7

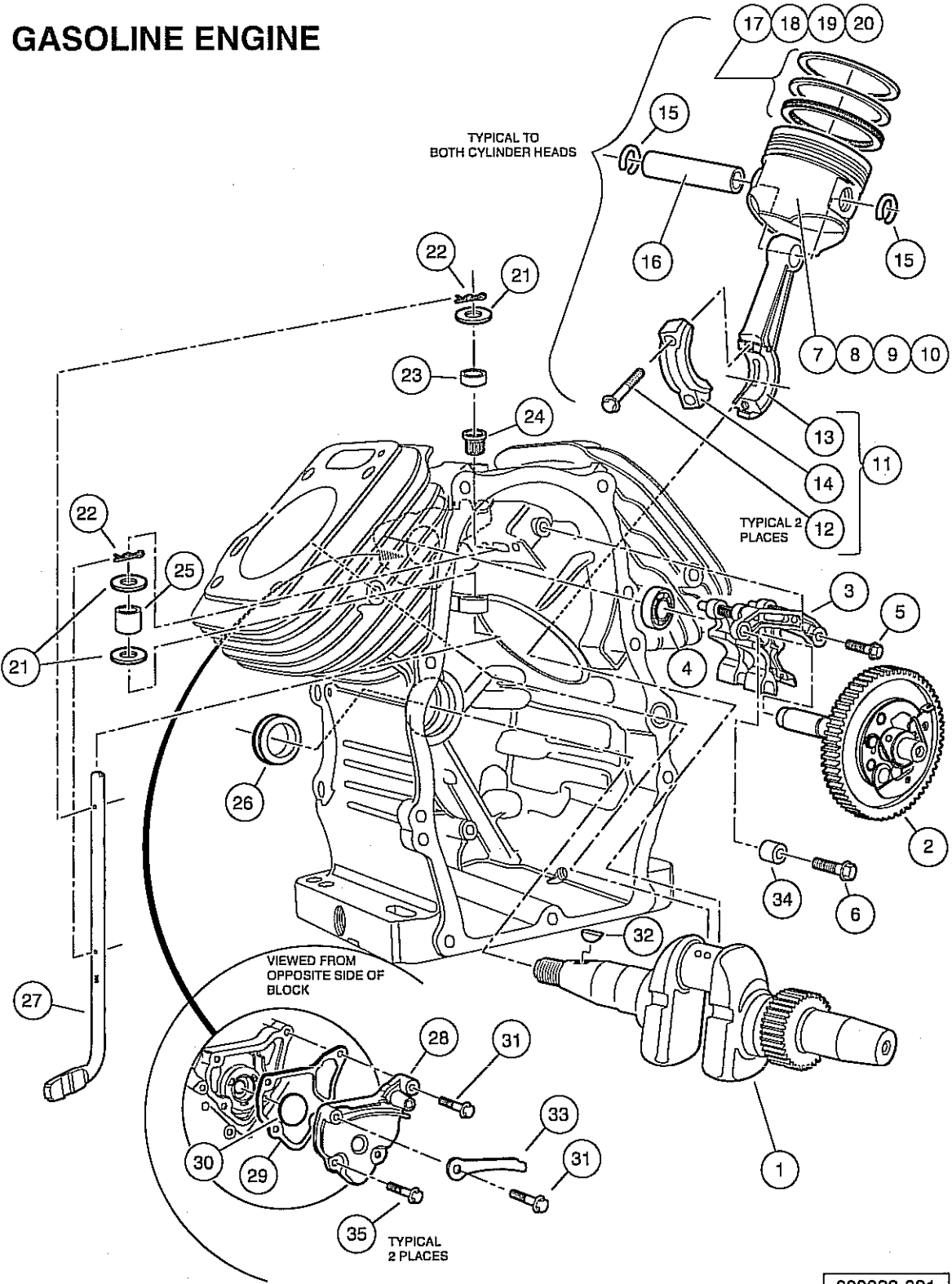
G

CYLINDER HEAD

7
G

ITEM	PART NO.	DESCRIPTION	QTY
		1 2 3 4	
1	603 00 14-84	Gasket, Intake Manifold	2
2	603 00 14-85	Manifold, In	1
3	603 00 14-86	Bolt, Socket, M8 X 1.25 X 45	4
4	603 00 15-33	Cover, Head	1
5	603 00 15-34	Cover, Head Filler	1
6	603 00 15-35	Gasket, Cylinder Head Cover	2
7	603 00 15-36	Bolt, Head Cover	2
8	603 00 15-37	Washer, Head Cover	2
9	603 00 00-39	Spark Plug, BPR2ES, NGK	2
10	603 00 15-38	Bolt, Flange Head, M10 X 1.5 X 80	8
11	603 00 15-39	Bolt, Stud, M8x22	4
12	603 00 15-40	Cylinder Head, #2	1
13	603 00 15-41	Cylinder Head, #1	1
14	603 00 15-42	Plate, Push Rod Guide	2
15	603 00 15-43	Pivot, Rocker Arm	4
16	603 00 15-44	Arm, Valve Rocker	4
17	603 00 15-45	Bolt, Pivot, M8	4
18	603 00 15-46	Nut, Pivot Adj	4
19	603 00 15-47	Valve, Ex	2
20	603 00 15-48	Valve, In	2
21	603 00 15-49	Rod, Push	4
22	603 00 15-50	Retainer, In Valve Spring	2
23	603 00 15-51	Spring, Valve	4
24	603 00 15-52	Seal, Valve Stem	2
25	603 00 15-53	Gasket, Cylinder Head	2
26	603 00 15-54	Pin A, Dowel ,12 X 20	4
27	603 00 16-85	Retainer, Ex Valve Spring	2
28	603 00 16-86	Seat, Valve Spring	2
29	603 00 16-87	Rotator, Valve	2

GASOLINE ENGINE



CRANKCASE AND CRANKSHAFT

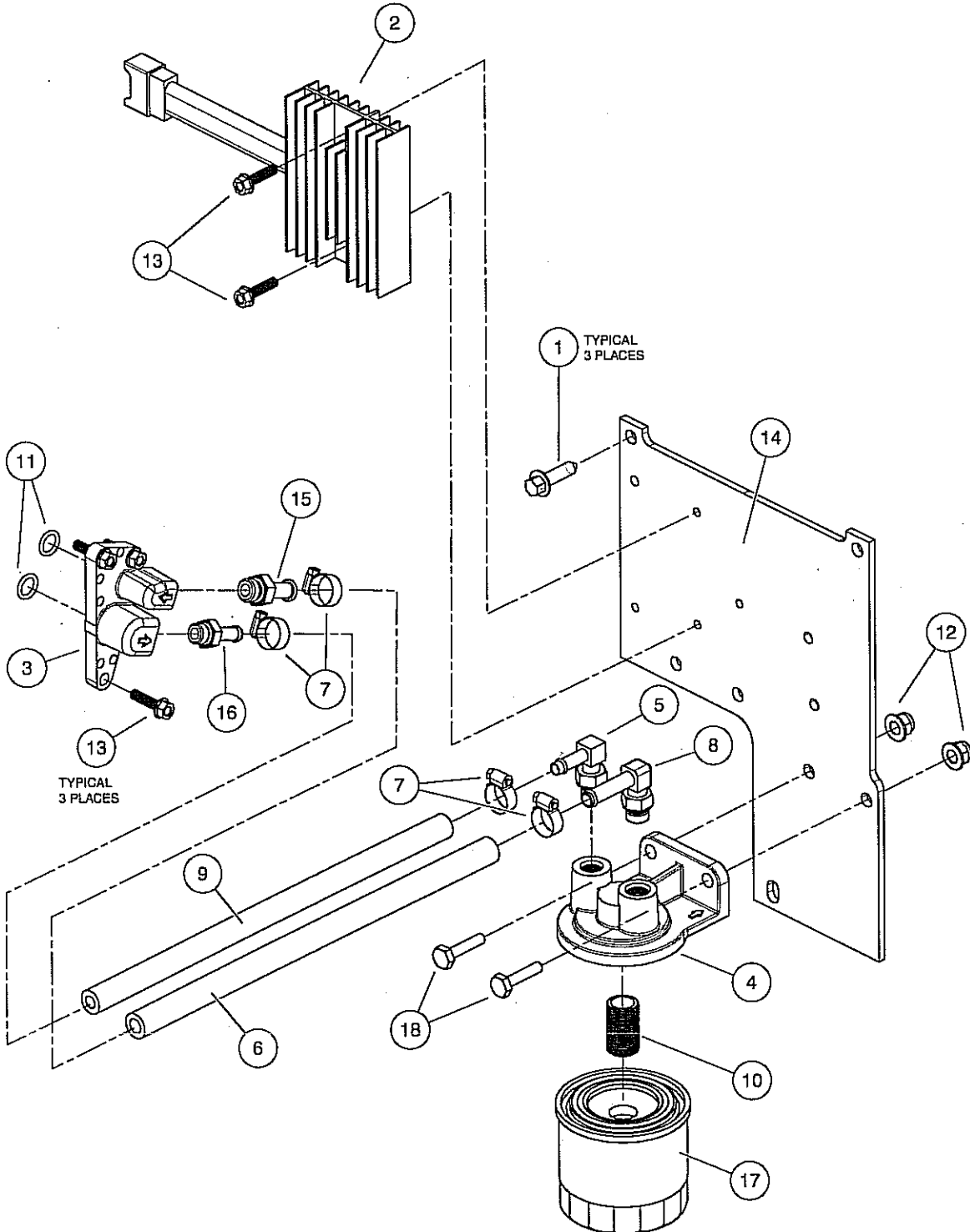
ITEM	PART NO.	DESCRIPTION	QTY
		1 2 3 4	
1	603 00 15-04	Crankshaft	1
2	603 00 15-05	Camshaft Assembly	1
3	603 00 15-06	Lifter Assembly, Valve	1
4	603 00 15-07	Bearing, Radial Ball, 6003	1
5	603 00 15-08	Bolt, Flange Head, M5 X 1 X 16	1
6	603 00 15-09	Bolt, Flange Head, M6 X 1 X 25	1
7	603 00 15-10	Piston, Std	2
8	603 00 15-11	Piston, Os 0.25	2
9	603 00 15-12	Piston, Os 0.50	2
10	603 00 15-13	Piston, 0.75	2
11	603 00 15-14	Rod Assy., Connecting (includes items 12 through 14)	2
12	603 00 15-21	Bolt, Connecting Rod, 6 X 37	2
13	N/A	Connecting Rod	1
14	N/A	Cap, Connecting Rod	1
15	603 00 15-15	Clip, Piston Pin, 18mm	4
16	603 00 15-16	Pin, Piston	2
17	603 00 15-17	Ring Set, Piston, Std	2
18	603 00 15-18	Ring Set, Piston, OS 0.25	2
19	603 00 15-19	Ring Set, Piston, OS 0.50	2
20	603 00 15-20	Ring Set, Piston, OS 0.75	2
21	603 00 15-22	Washer, Plain, M8	3
22	603 00 15-23	Pin, Lock, 8 Mm	2
23	603 00 15-24	Bearing, Needle, 8 X 12.7 X 11	1
24	603 00 15-25	Oil Seal, 8 X 14 X 5	1
25	603 00 04-46	Bearing, Needle, 8 X 12 X 10	1
26	603 00 15-27	Oil Seal, 38 X 58 X 9	1
27	603 00 15-28	Shaft, Governor Arm	1
28	603 00 15-29	Cover, Breather	1
29	603 00 15-30	Gasket, Breather Cover	1
30	603 00 15-31	Valve, Breather	1
31	603 00 15-32	Bolt, Flange Head, M6 X 1 X 32	2
32	603 00 15-58	Key, Special Woodruff, 25 X 18	1
33	603 00 15-82	Clamp, Wire	1
34	603 00 16-95	Pin A, Dowel	1
35	603 00 16-96	Bolt, Flange Head, 6 X 16	1

7
G

7

G

GASOLINE ENGINE



000083-001

OIL FILTER ADAPTER AND VOLTAGE REGULATOR

ITEM	PART NO.	DESCRIPTION	QTY
		1 2 3 4	
1	603 00 08-69	Screw, M8X1.25X30, Hex	3
2	603 00 08-85	Regulator, Voltage	1
3	603 00 35-94	Adapter, Oil Filter, Honda	1
4	603 00 09-11	Bracket, Oil Filter Mount	1
5	603 00 10-15	Adapter, 90, 5/16 Tube	1
6	603 00 10-56	Hose, 3/8, Remote Oil, Honda	1
7	603 00 10-57	Clamp, Hose	4
8	603 00 10-99	Adapter, 90, 3/8 Tube	1
9	603 00 11-00	Hose, 5/16, Remote Oil, Honda	1
10	603 00 11-42	Nipple, M20, Remote Oil	1
11	603 00 11-68	O-ring 11.8 X 2.4	2
12	603 00 13-08	Lock Nut, Flg M8 X 1.25 Nylon	2
13	603 00 15-87	Screw, M6 X 1 X 25 Thd Form	5
14	603 00 16-67	Plate, Fuel/Oil System	1
15	603 00 16-82	Adapter, 3/8 Hose	1
16	603 00 16-83	Adapter, 5/16 Hose	1
17	603 00 19-33	Filter,oil,honda Service	1
18	603 00 04-43	Bolt, M8 X 1.25 X 30	2

7
G

7

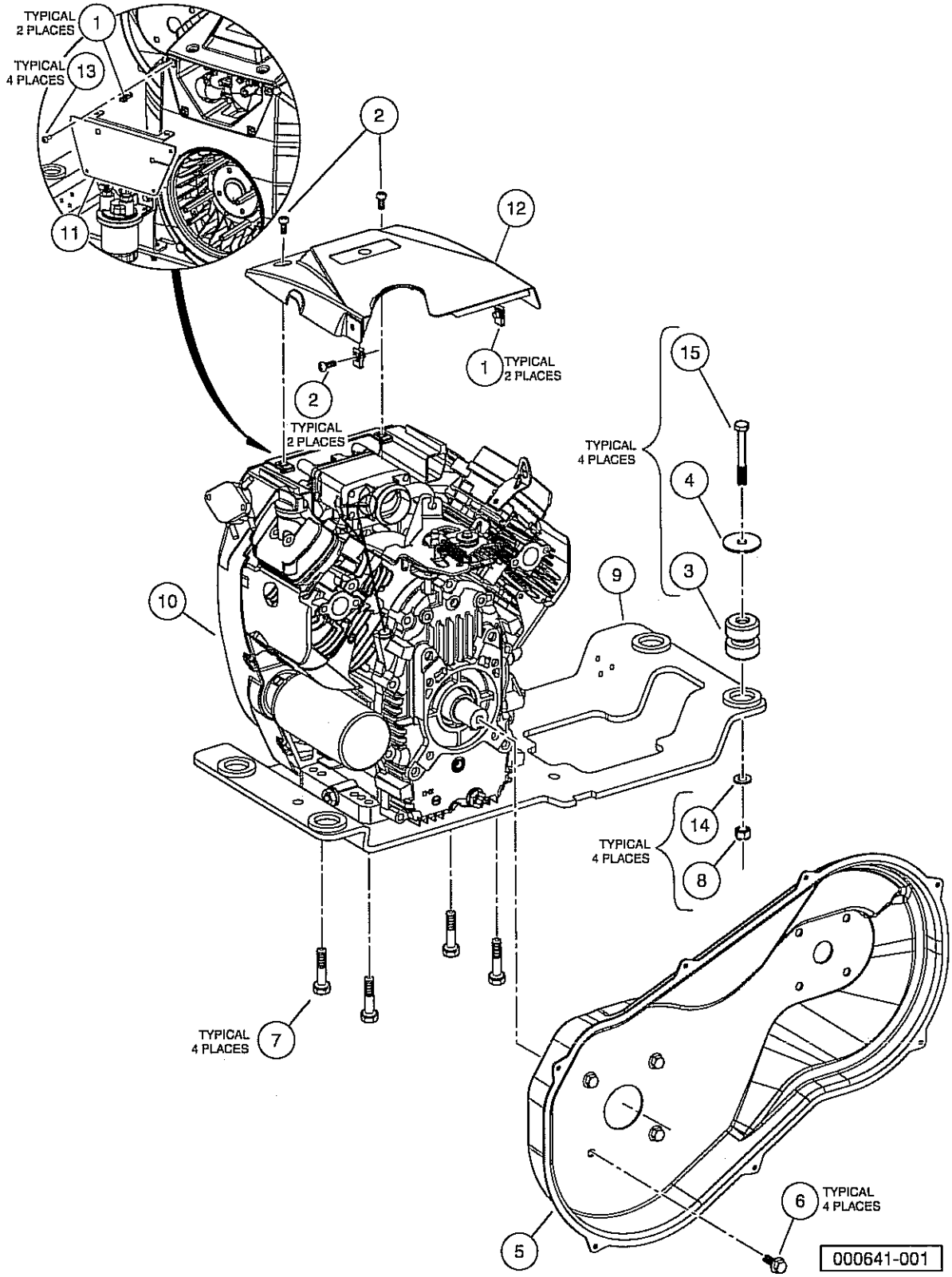
G

KAWASAKI FH680D GASOLINE ENGINE

8

G

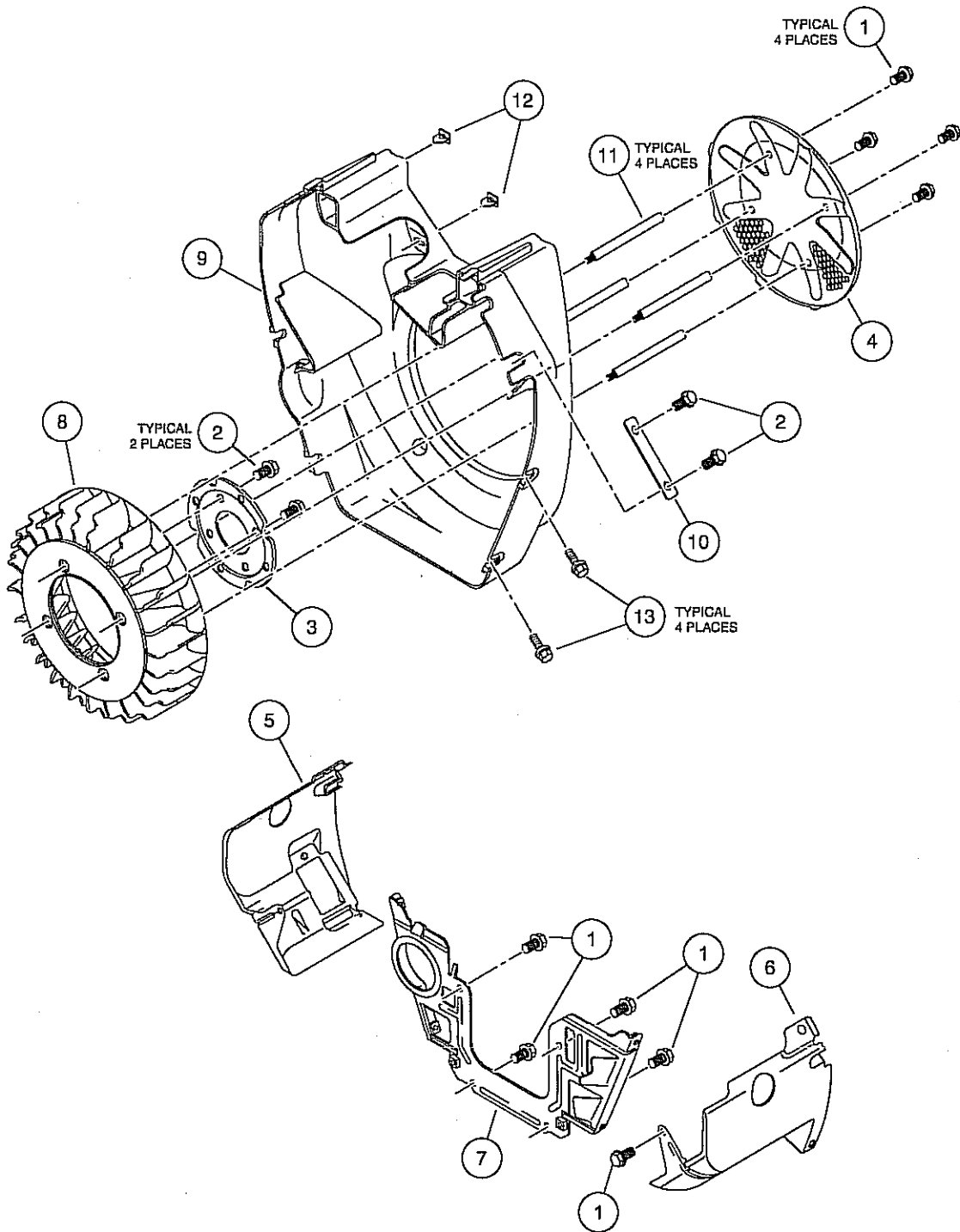
8
G



KAWASAKI FH680D GASOLINE ENGINE MOUNTING

ITEM	PART NO.	DESCRIPTION	QTY
		1 2 3 4	
1	603 00 39-61	U-nut, M6-1.0 Prev Torque	4
2	603 00 39-60	Screw, M6 Torx Btn Hd Sems	4
3	603 00 09-08	Isolator Ring and Bushing	4
4	603 00 09-09	Washer, Snubbing, Ring N Bush	4
5	603 00 39-59	Cover, Cvt, Inner, Fh680d	1
6	603 00 11-71	Bolt Flanged Head, 3/8-16x1.0 with Loctite	4
7	603 00 16-03	Bolt, Flange Head, M10x 1.5 X 40 with Loctite	4
8	603 00 04-39	Locknut, M12x1.75 Nylon Insert	4
9	603 00 39-55	Weldment, Eng Mnt, Kaw, Fh680d	1
10	603 00 39-50	Engine, Kawasaki, Fh680d	1
11	603 00 38-45	Engine, Front Cover, Fh680d	1
12	603 00 38-42	Cover, Engine, Top	1
13	603 00 38-33	Screw, Pn Hd Blk, 10-16 X .625	4
14	603 00 04-37	Washer, M12 Hard	4
15	603 00 04-40	Bolt, M12 X 1.75 X 90	4

8
G



000625-001

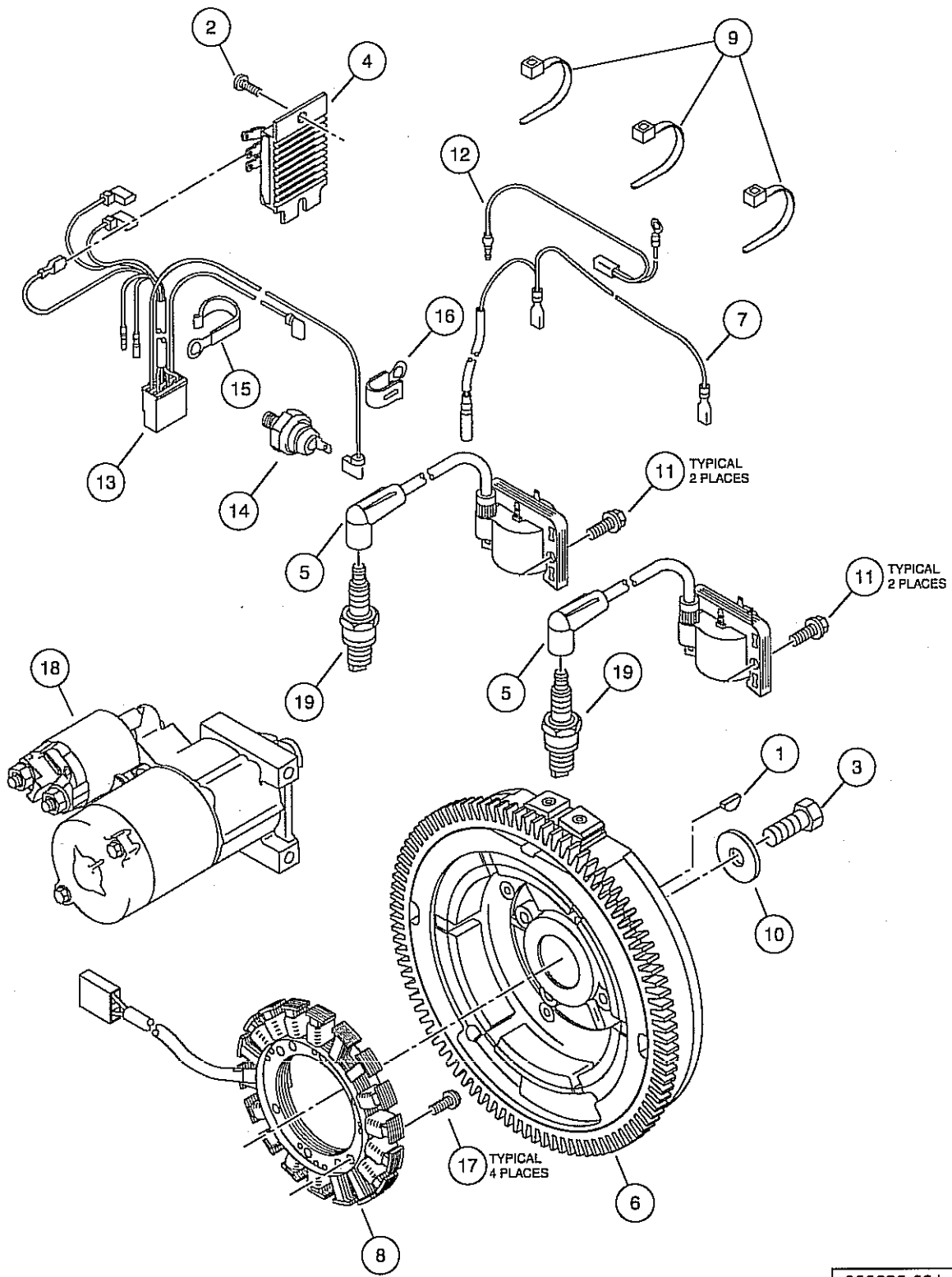
SHROUDS AND BRACKETS

ITEM	PART NO.	DESCRIPTION	QTY
		1 2 3 4	
1	603 00 39-28	Bolt, Flg, M6 X 1.0 X 12	9
2	603 00 39-27	Bolt, Flg, M6 X 1.0 X 16	4
3	603 00 38-75	Plate, Housing, Fan, Fh	1
4	603 00 38-74	Screen, Fan, Fh	1
5	603 00 38-73	Shroud, Engine, Rh, Fh	1
6	603 00 38-72	Shroud, Engine, Lh, Fh	1
7	603 00 38-71	Shroud, Engine, Front, Fh	1
8	603 00 38-70	Fan, Cooling, Fh	1
9	603 00 38-69	Housing, Engine, Fh	1
10	603 00 38-68	Washer, Housing, Fan, Fh	1
11	603 00 38-17	Stud, Fan Screen, Fh	4
12	603 00 38-16	Nut, Press In, Front Cover, Fh	4
13	603 00 38-09	Bolt, Oil Pickup, Fh	4

8

G

8
G



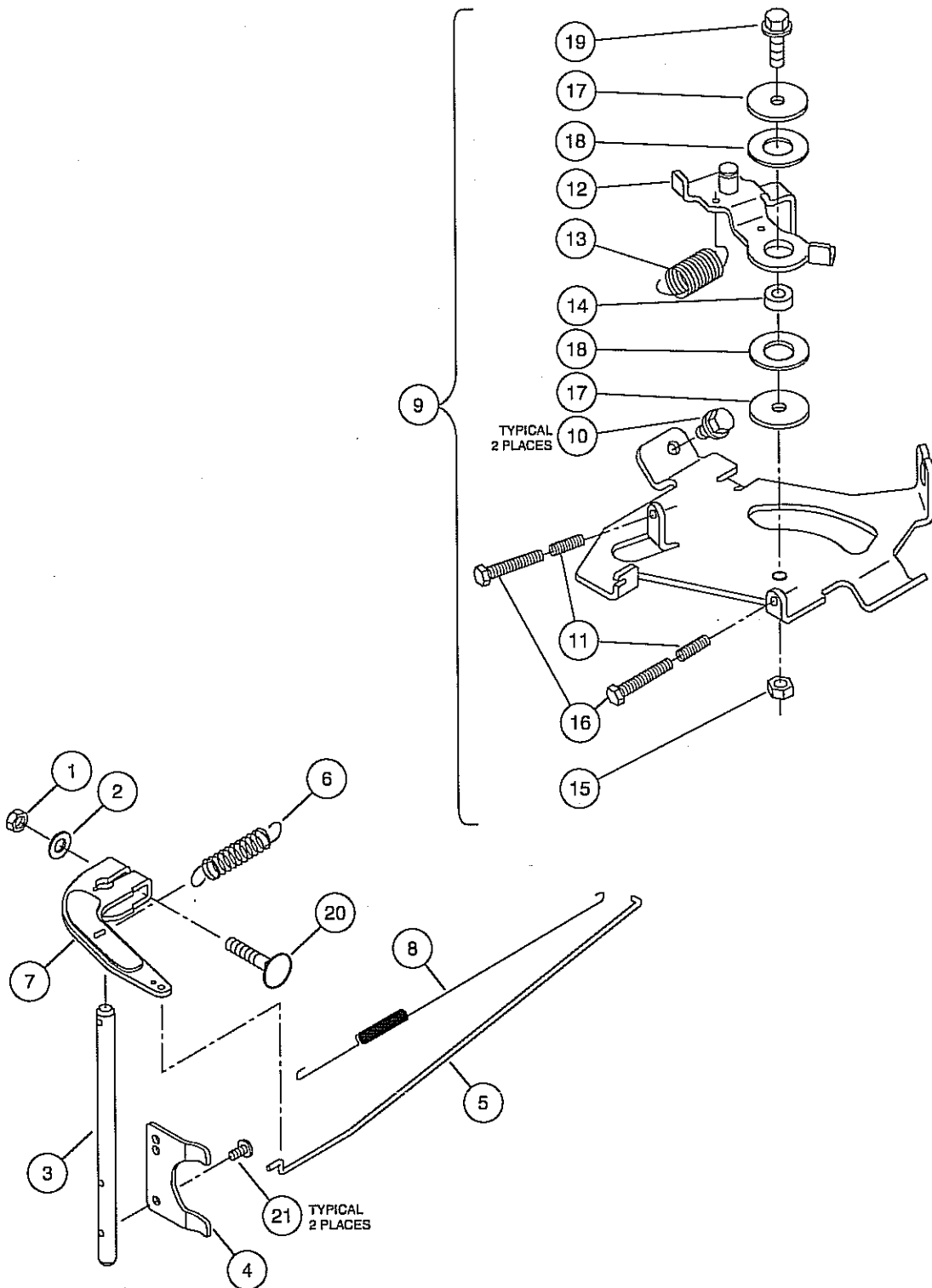
000626-001

IGNITION COMPONENTS AND FLYWHEEL

ITEM	PART NO.	DESCRIPTION	QTY
		1 2 3 4	
1	603 00 39-64	Key	1
2	603 00 03-39	Screw	1
3	603 00 39-14	Bolt, Flg, M12.X 1.25 X 30	1
4	603 00 38-67	Regulator, Voltage, Fh	1
5	603 00 38-66	Coil, Assy, Ignition, Fh	2
6	603 00 38-65	Flywheel, Assy, Fh	1
7	603 00 38-64	Harness, Regulator, Fh	1
8	603 00 38-63	Coil, Charging, Fh	1
9	603 00 38-62	Band, Harness, Fh	3
10	603 00 38-61	Washer, Flywheel, Fh	1
11	603 00 38-20	Bolt, Flanged, M6 X 20, Kaw	4
12	603 00 38-15	Harness, Ignition, Fh	1
13	603 00 38-14	Harness, Engine, Main, Fh	1
14	603 00 38-13	Switch, Oil Pressure, Fh	1
15	603 00 38-12	Clamp, Harness, Large, Fh	1
16	603 00 38-11	Clamp, Harness, Small, Fh	1
17	603 00 38-10	Screw, Pan, Coil Mount, Fh	4
18	603 00 37-71	Starter, Electric, FH680D	1
19	603 00 37-70	Spark Plug, Bpr2es	2

8

G



000636-001

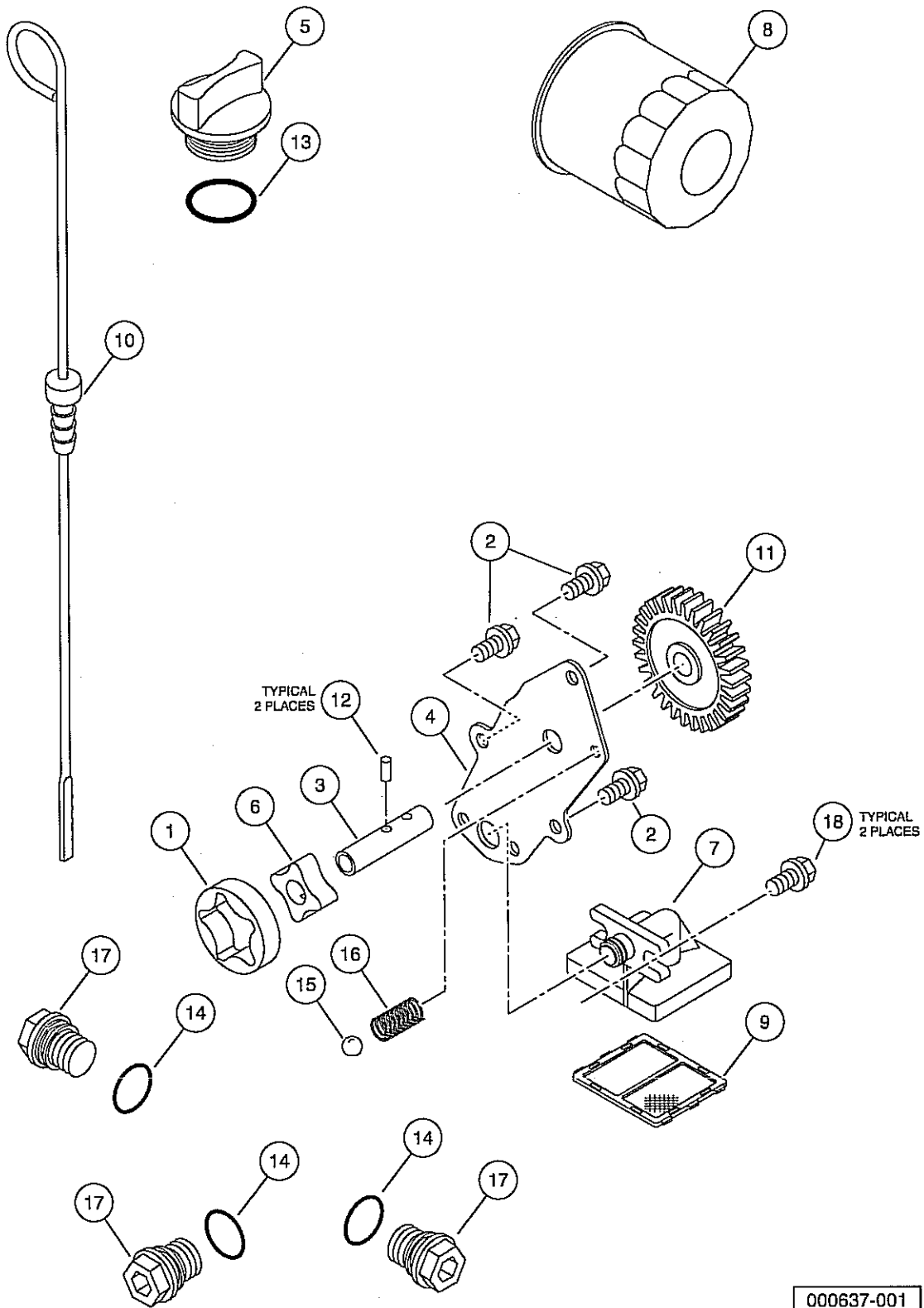
GOVERNOR ARM AND SPRINGS

ITEM	PART NO.	DESCRIPTION	QTY
		1 2 3 4	
1	603 00 39-65	Nut, M6-1.00 Hex	1
2	603 00 03-29	Washer, M6 Flat	1
3	603 00 38-60	Shaft, Governor, Fh	1
4	603 00 38-59	Plate, Governor, Fh	1
5	603 00 38-58	Link, Arm, Governor, Fh	1
6	603 00 38-57	Spring, Governor, Fh	1
7	603 00 38-56	Arm, Governor, Shaft , Fh	1
8	603 00 38-54	Spring, Arm, Governor, Fh	1
9	603 00 38-26	Panel, Control, Complete, Fh (includes items 10 through 19)	1
10	603 00 39-28	Bolt, Flg, M6 X 1.0 X 12	2
11	603 00 38-55	Spring, Fh	2
12	603 00 38-29	Lever, Governor, Control, Fh	1
13	603 00 38-28	Spring, Governor Return, Fh	1
14	603 00 38-27	Collar, Governor, Fh	1
15	603 00 38-25	Nut, Governor, Fh	1
16	603 00 38-24	Bolt, Speed Control, Fh	2
17	603 00 38-22	Washer, Governor, Lower, Fh	2
18	603 00 38-21	Washer, Governor, Middle, Fh	2
19	603 00 38-20	Bolt, Flanged, M6 X 20, Kaw	1
20	603 00 38-23	Bolt, M6 X 35, Kawasaki	1
21	603 00 38-19	Screw, Pan, Governor, Fh	2

8

G

8
G



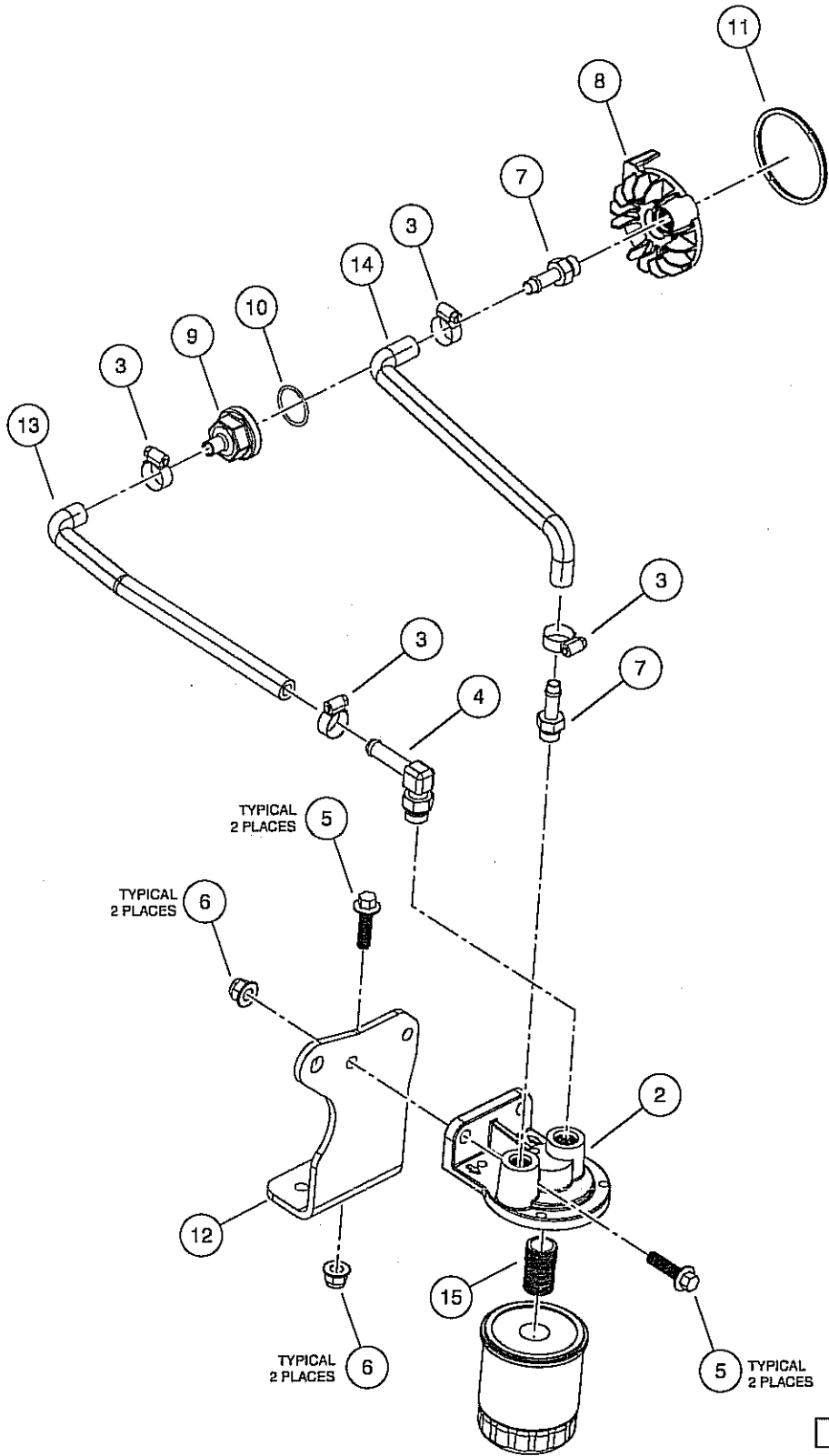
000637-001

OIL AND LUBRICATION COMPONENTS

ITEM	PART NO.	DESCRIPTION	QTY
		1 2 3 4	
1	603 00 39-62	Rotor	1
2	603 00 39-28	Bolt, Flg, M6 X 1.0 X 12	3
3	603 00 38-90	Shaft, Oil Pump, Fh	1
4	603 00 38-89	Plate, Oil Pump, Fh	1
5	603 00 38-88	Cap, Oil, Fill, Fh	1
6	603 00 38-87	Rotor, Pump, Oil, In, Fh	1
7	603 00 38-86	Pickup, Oil, Fh	1
8	603 00 38-85	Filter, Oil, Fh	1
9	603 00 38-84	Screen, Pickup, Oil, Fh	1
10	603 00 38-83	Gauge, Oil, Fh	1
11	603 00 38-82	Gear, Spur, Oil Pump, Fh	1
12	603 00 38-81	Pin, Oil Pump, Fh	2
13	603 00 38-80	O-ring, Cap, Oil, Fill, Fh	1
14	603 00 38-79	Plug, Oil Drain, Fh	3
15	603 00 38-78	Ball, Oil Pump, Fh	1
16	603 00 38-77	Spring, Oil Pump, Fh	1
17	603 00 38-76	O-ring, Drain Plug, Oil, Fh	3
18	603 00 38-09	Bolt, Oil Pickup, Fh	2

8

G

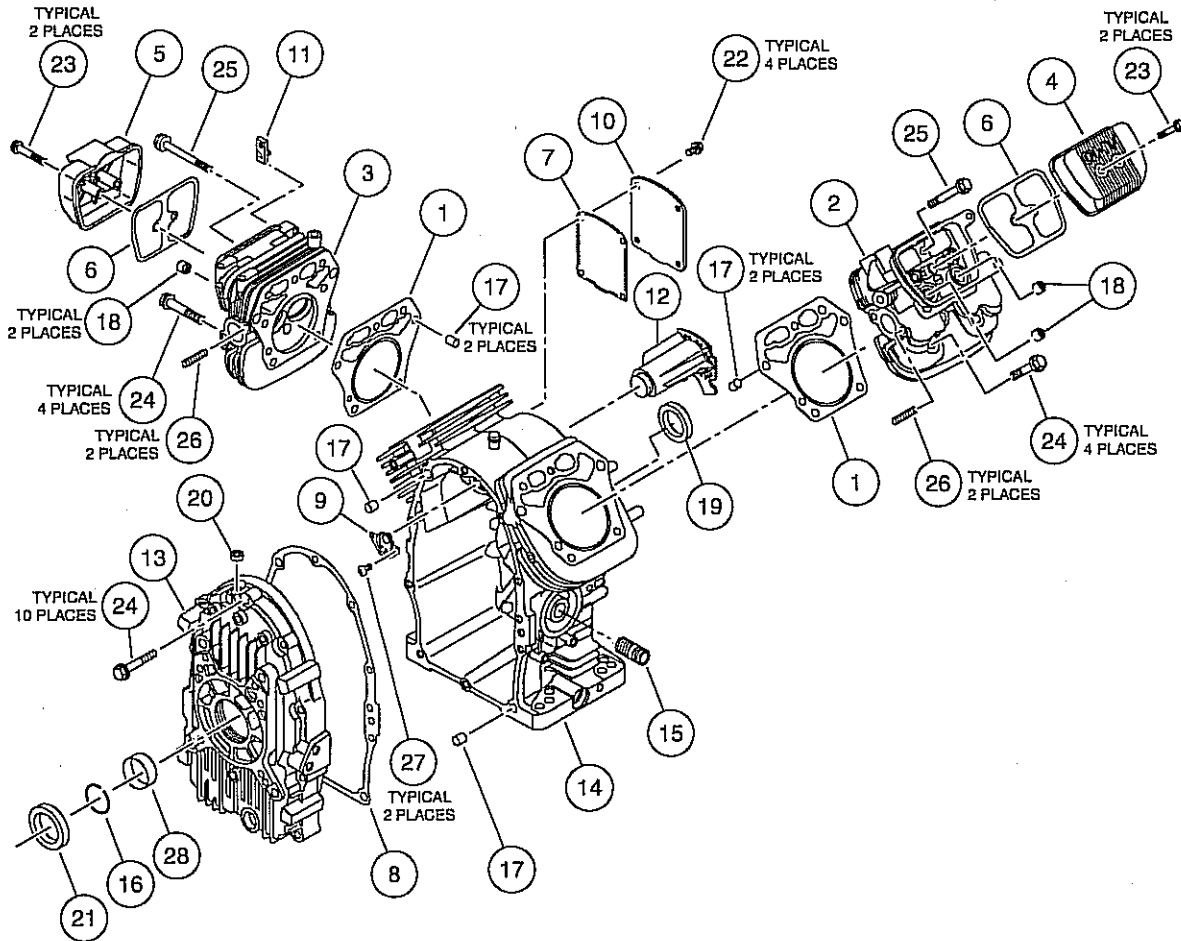


000671-001

OIL FILTER ADAPTER

ITEM	PART NO.	DESCRIPTION	QTY
		1 2 3 4	
1	N/A	Instl, Oil Fltr Adapter Fh680d (Includes items 2 through 15)	1
2	603 00 09-11	Bracket, Oil Filter Mount	1
3	603 00 10-57	Clamp, Hose	4
4	603 00 10-99	Adapter, 90, 3/8 Tube	1
5	603 00 39-58	Bolt Flg, M8 X 1.25 X 30	4
6	603 00 13-08	Lock Nut, Flg M8 X 1.25 Nylon	4
7	603 00 16-83	Adapter, 5/16 Hose	2
8	603 00 39-54	Adapter, Special, Oil Filter	1
9	603 00 39-53	Nut, Special, Hose Adapter	1
10	603 00 39-52	O-ring, 23.52 X 1.78mm	1
11	603 00 39-51	O-ring, Oil Filter Adapter	1
12	603 00 38-47	Bracket, Oil Filter, Fh680d	1
13	603 00 38-44	Hose, Formed, Oil, 5/16"	1
14	603 00 38-43	Hose, Formed, Oil, 5/16", Ret	1
15	603 00 38-39	Nipple, 3/4-16 X M20 X 1.5-6g	1

8
G

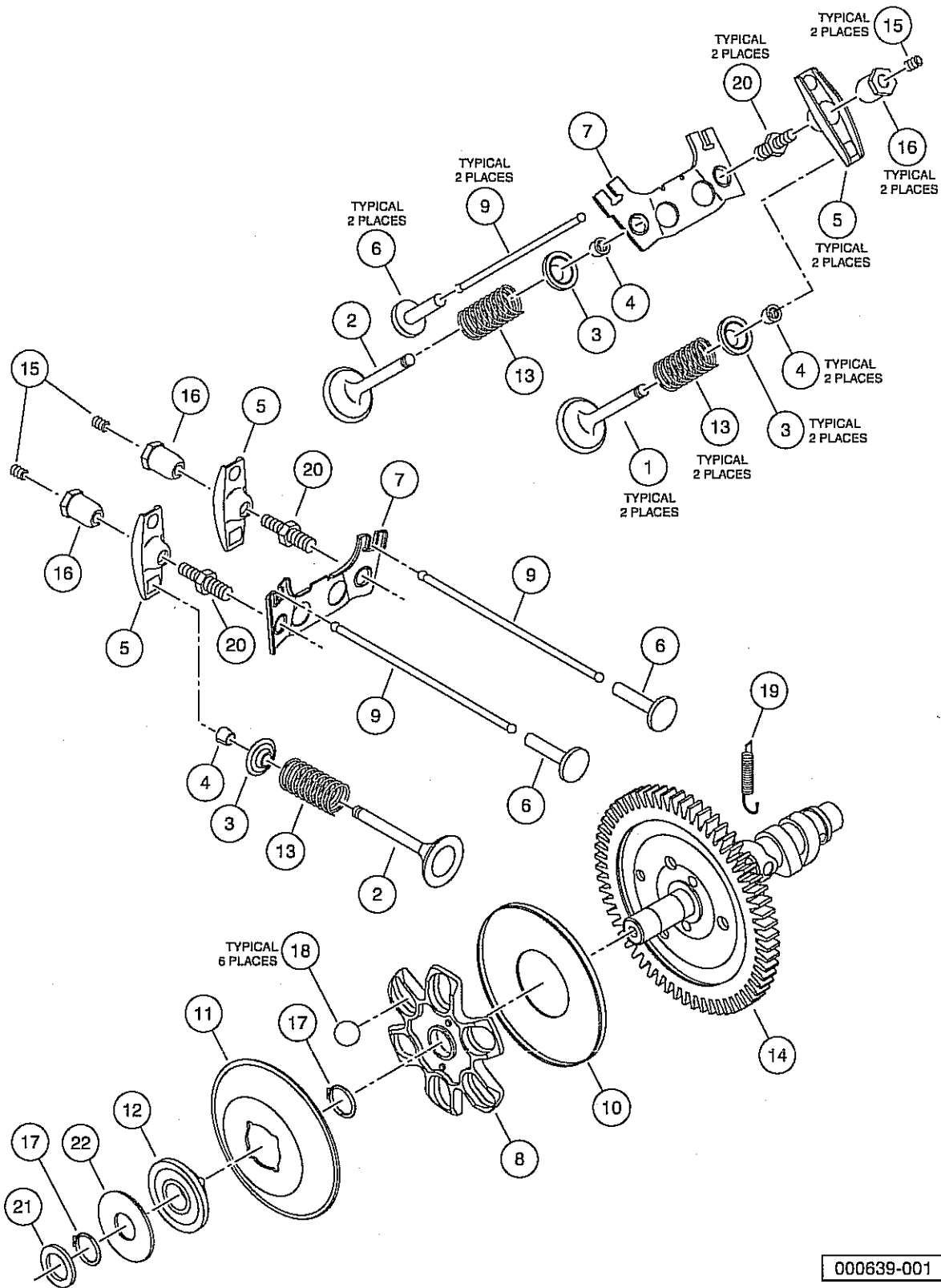


000638-001

CYLINDER HEAD AND CRANKCASE

8
G

ITEM	PART NO.	DESCRIPTION	QTY
		1 2 3 4	
1	603 00 39-49	Gasket, Head, Cyl, Fh	2
2	603 00 39-48	Head, Cyld 1, Fh	1
3	603 00 39-47	Head, Cyld 2, Fh	1
4	603 00 39-46	Cover, Rocker, Cyld 1, Fh	1
5	603 00 39-45	Cover, Rocker, Cyld 2, Fh	1
6	603 00 39-44	Gasket, Rocker, Cover, FH	2
7	603 00 39-43	Gasket, Breather, Fh	1
8	603 00 39-42	Gasket, Cover, Crank, Fh	1
9	603 00 39-41	Valve, Assy, Reed, Fh	1
10	603 00 39-40	Cover, Crkcase, Comp, Fh	1
11	603 00 39-39	Pipe, Head, Comp, Clyd, Fh	1
12	603 00 39-38	Pipe, Crkcase, Comp, Fh	1
13	603 00 39-37	Cover, Crankcase, Fh	1
14	603 00 39-36	Crankcase, Comp, Fh	1
15	603 00 39-35	Nipple, Oil Filter, Fh	1
16	603 00 39-34	Ring, Snap, Fh	1
17	603 00 39-33	Pin, Head, Fh	6
18	603 00 39-32	Seal, Oil, Valve, Fh	4
19	603 00 39-31	Seal, Oil, Crank, Rear, Fh	1
20	603 00 39-30	Seal, Oil, Governor, Fh	1
21	603 00 39-29	Seal, Oil, Crank, Front, Fh	1
22	603 00 39-28	Bolt, Fig, M6 X 1.0 X 12	4
23	603 00 39-26	Bolt, Fig, M6 X 1.0 X 40	4
24	603 00 39-25	Bolt, Fig, M8 X 1.25 X 50	18
25	603 00 39-24	Bolt, Fig, M8 X 1.25 X 75	2
26	603 00 39-23	Stud, M8 X 1.25, Exhaust, Fh	4
27	603 00 38-19	Screw, Pan, Governor, Fh	2
28	603 00 38-18	Bushing, Maln, Fh	1



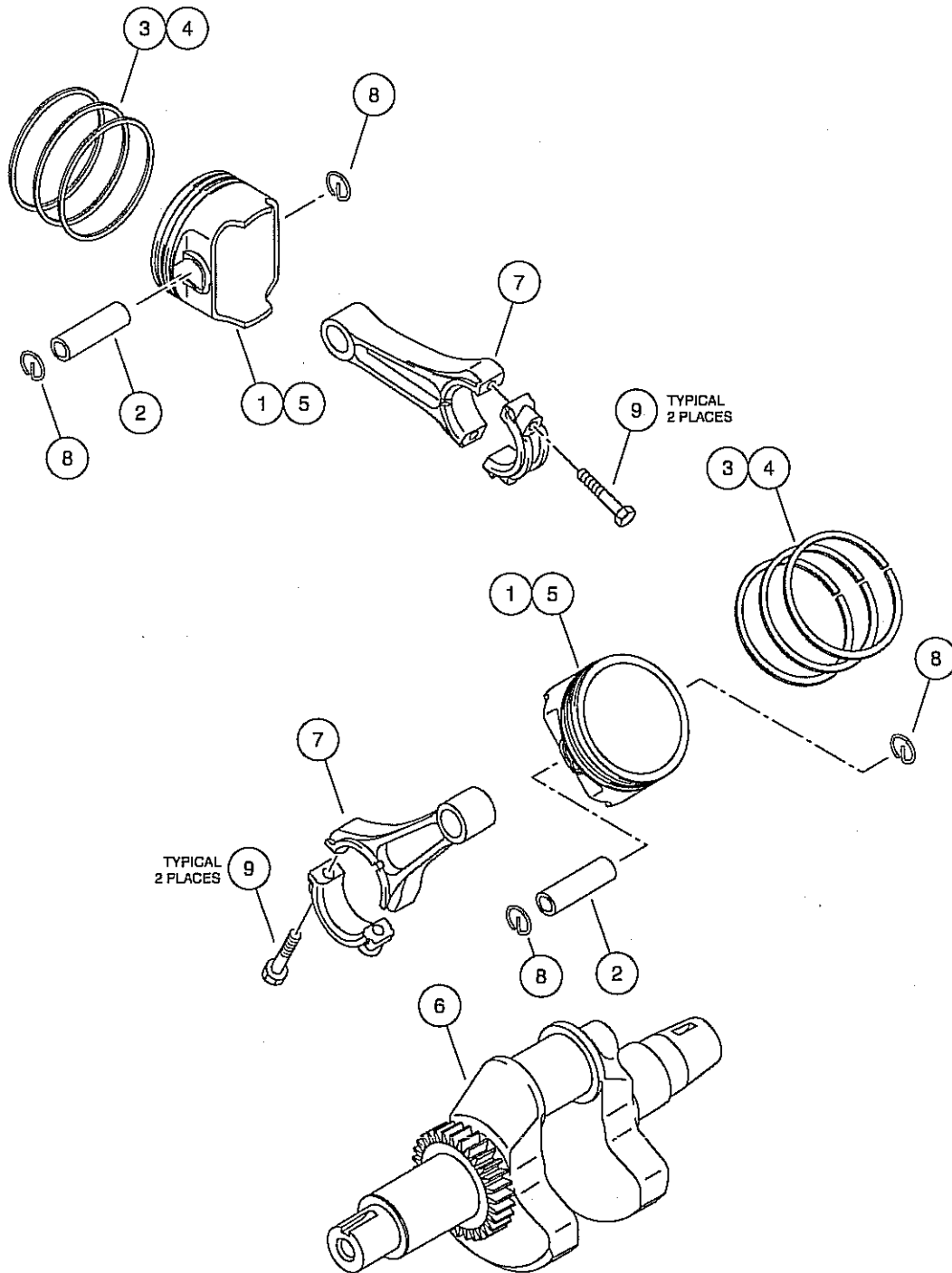
000639-001

VALVES AND CAMSHAFT

ITEM	PART NO.	DESCRIPTION	QTY
		1 2 3 4	
1	603 00 39-12	Valve, Intake, Fh	2
2	603 00 39-11	Valve, Exhaust, Fh	2
3	603 00 39-10	Retainer, Valve Spring, Fh	4
4	603 00 39-09	Collet, Spring, Valve, Fh	8
5	603 00 39-08	Arm, Rocker, Fh	4
6	603 00 39-07	Tappet, Rod, Push, Fh	4
7	603 00 39-06	Guide, Arm, Rocker, Fh	2
8	603 00 39-05	Guide, Camshaft, Gov, Fh	1
9	603 00 39-04	Rod, Push, Fh	4
10	603 00 39-03	Plate, Camshaft, Gov, Fh	1
11	603 00 39-02	Plate, Ring, Gov, Fh	1
12	603 00 39-01	Sleeve, Plate, Gov, Fh	1
13	603 00 39-00	Spring, Valve, Fh	4
14	603 00 38-99	Kit, Camshaft, Comp, Fh	1
15	603 00 38-98	Screw, Rocker Arm, Fh	4
16	603 00 38-97	Nut, Arm, Rocker, Fh	4
17	603 00 38-96	Ring, Snap, Gov, Fh	2
18	603 00 38-95	Ball, Guide, Gov, Fh	6
19	603 00 38-94	Spring, Camshaft, Fh	1
20	603 00 38-93	Stud, Rocker Arm, Fh	4
21	603 00 38-92	Washer, Sleeve, Gov, Fh	1
22	603 00 38-91	Washer, Gov, Fh	1

8
G

8
G



000640-001

PISTONS AND CRANKSHAFT

ITEM	PART NO.	DESCRIPTION	QTY
		1 2 3 4	
1	603 00 39-22	Piston, Engine, Right, Fh	2
2	603 00 39-21	Pin, Piston, Engine, Fh	2
3	603 00 39-20	Ring, Set, Piston, Fh	2
4	603 00 39-19	Ring, Set, Piston L, 0.50, Fh	A/R
5	603 00 39-18	Piston, Engine L, 0.50, Fh	A/R
6	603 00 39-17	Crankshaft, Comp, Fh	1
7	603 00 39-16	Kit, Rod, Connecting, Fh	2
8	603 00 39-15	Ring, Snap, Pin, Piston, Fh	4
9	603 00 39-13	Bolt, Flg, M6 X 1.00 X 35	4

8

G

8

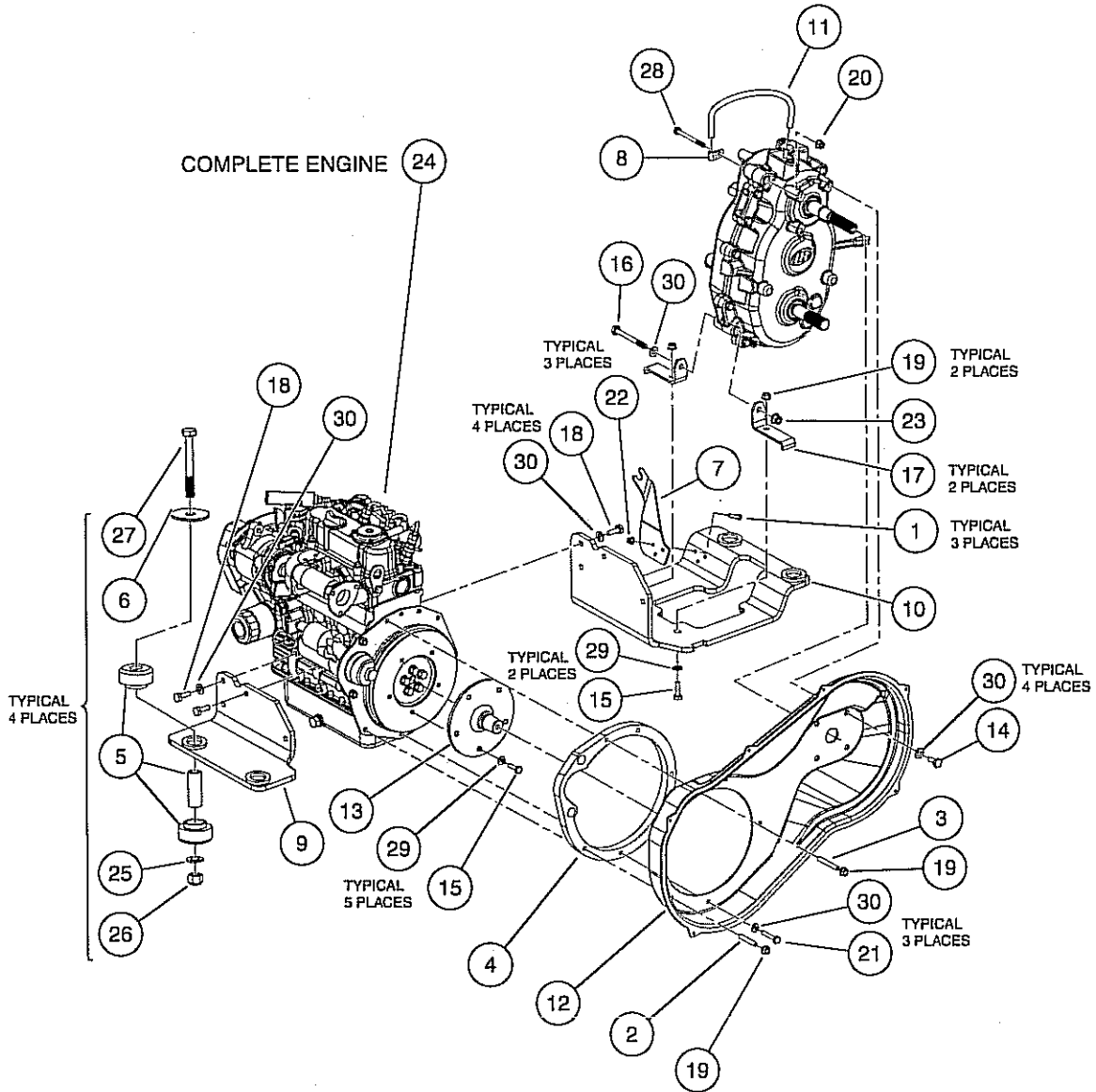
G

DIESEL ENGINE – CLOSED BREATHER

9

D

DIESEL ENGINE



000025-002

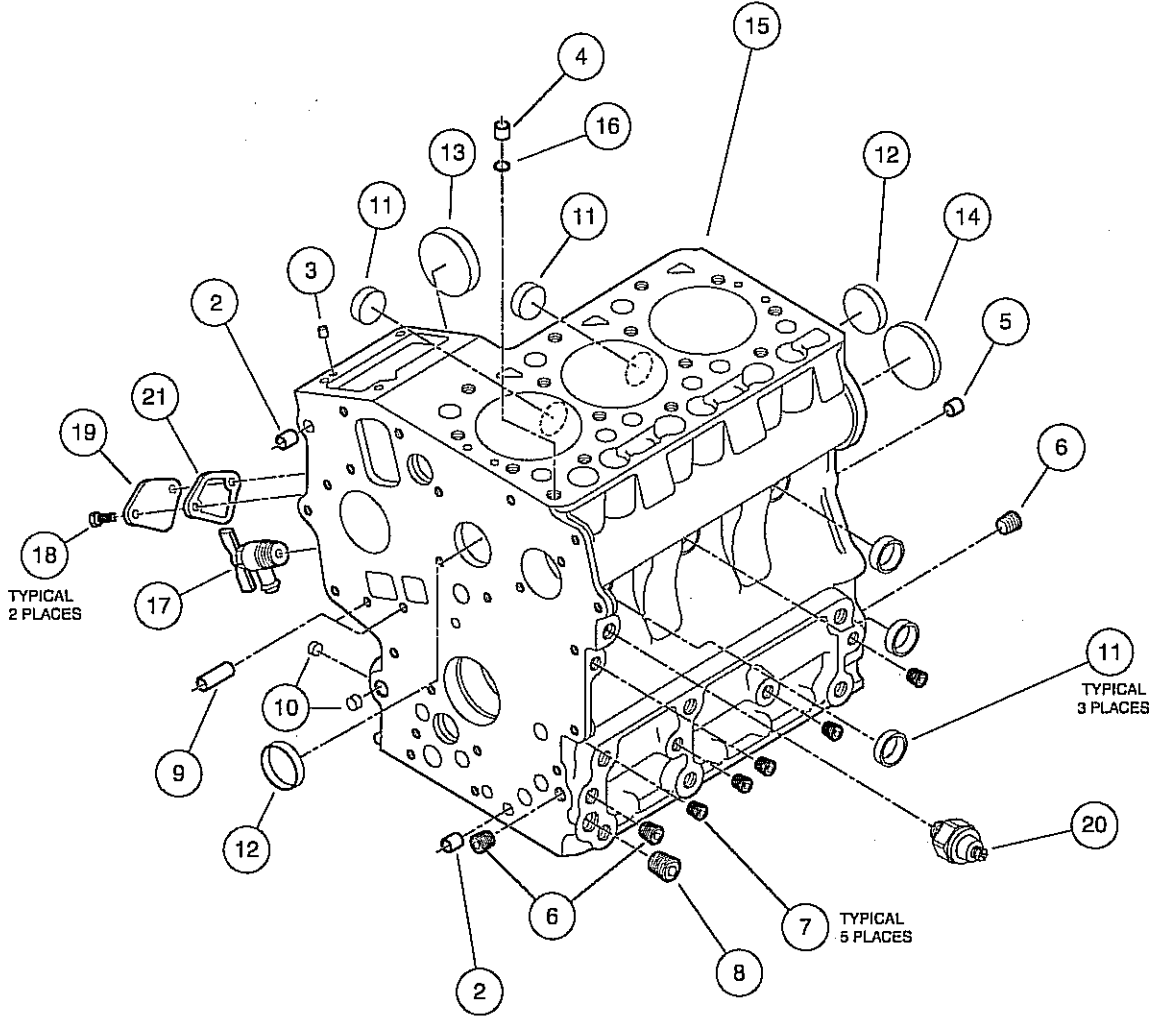
KUBOTA D722 DIESEL ENGINE MOUNTING

ITEM	PART NO.	DESCRIPTION	QTY
		1 2 3 4	
1	603 00 01-57	Screw, M6-1.00 X 25mm Hex Cap	3
2	603 00 05-13	Stud, M8-1.25 X 50 mm Two-Ended	1
3	603 00 05-14	Stud, M8-1.25 X 60mm Two-Ended	1
4	603 00 09-07	Spacer, Engine, Diesel	1
5	603 00 09-08	Isolator Ring and Bushing	4
6	603 00 09-09	Washer, Snubbing, Ring N Bush	4
7	603 00 09-37	Bracket, FNR Trans Cable	1
8	603 00 09-66	P-clamp, Insulated .312 In	1
9	603 00 09-84	Plate, Eng Mtg, Weld, Lh	1
10	603 00 09-85	Plate, Eng Mtg, Weld, Rh	1
11	603 00 11-11	Hose, Vent, Transmission	1
12	603 00 11-13	Cover, CVT Inner, Diesel	1
13	603 00 11-28	Shaft, CVT Adapter	1
14	603 00 11-65	Bolt, M10 X 1.5 X 20 Loctite	4
15	603 00 11-66	Bolt, M8 X 1.25 X 25 Loctite	7
16	603 00 11-69	Bolt, M10 X 1.5 X 100 Loctite	1
17	603 00 11-86	Bracket, Transmission Mounting	2
18	603 00 11-91	Bolt, M10 X 1.25 X 25 Loctite	8
19	603 00 35-92	Nut Flg, M8 X 1.25 Mech Def	7
20	603 00 13-08	Lock Nut, Flg M8 X 1.25 Nylon	1
21	603 00 13-16	Bolt, M8 X 1.25 X 40 with Loctite	3
22	603 00 13-17	Nut Flg, M6 X 1.0 Nylon	3
23	603 00 15-86	Nut Flg M10 X 1.5 Nylon	1
24	603 00 28-85	Engine, Kubota, D722, with Closed Breather, 60a	1
25	603 00 04-37	Washer, M12 Hard	4
26	N/A	Locknut, M12x1.75 Nylon Insert	4
27	603 00 04-40	Bolt, M12 X 1.75 X 90	4
28	603 00 04-49	Bolt, M8 X 1.25 X 80	1
29	603 00 04-50	Washer, M8 Hard	10
30	603 00 04-51	Washer, M10 Hard	12

9

D

DIESEL ENGINE



FRONT
OF VEHICLE

2 THROUGH 15
 1

000039-001

CRANKCASE

ITEM	PART NO.	DESCRIPTION	QTY
		1 2 3 4	
1	603 00 11-99	Engine Block (includes items 2 through 15)	1
2	603 00 12-00	Pin, Pipe, Dia 8 X 14	2
3	603 00 12-01	Pin, Straight, Dia 5 X 10	2
4	603 00 12-03	Pin, Pipe, Dia 7 X 14	1
5	603 00 12-04	Pin, Straight, Dia 8 X 16	2
6	603 00 12-05	Plug, 1/8"	3
7	603 00 12-06	Plug, 3/32"	5
8	603 00 12-07	Plug, 1/4"	1
9	603 00 12-09	Pin, Pipe, Dia 8 X 11	2
10	603 00 17-00	Cap, Sealing, Small	3
11	603 00 17-01	Cap, Sealing, Med	5
12	603 00 17-02	Cap, Sealing, Large	2
13	603 00 17-03	Cover, Fuel Camshaft	1
14	603 00 17-04	Plug, Expansion	1
15	N/A	Block, Engine	1
16	603 00 12-02	O Ring, 8 X 7	1
17	603 00 12-10	Cock, Drain	1
18	603 00 13-43	Bolt, M6 X 1 X 20	2
19	603 00 16-61	Plate, Engine Block	1
20	603 00 17-46	Switch, Oil Pressure	1
21	603 00 17-62	Gasket, Fuel Pump, D722	1

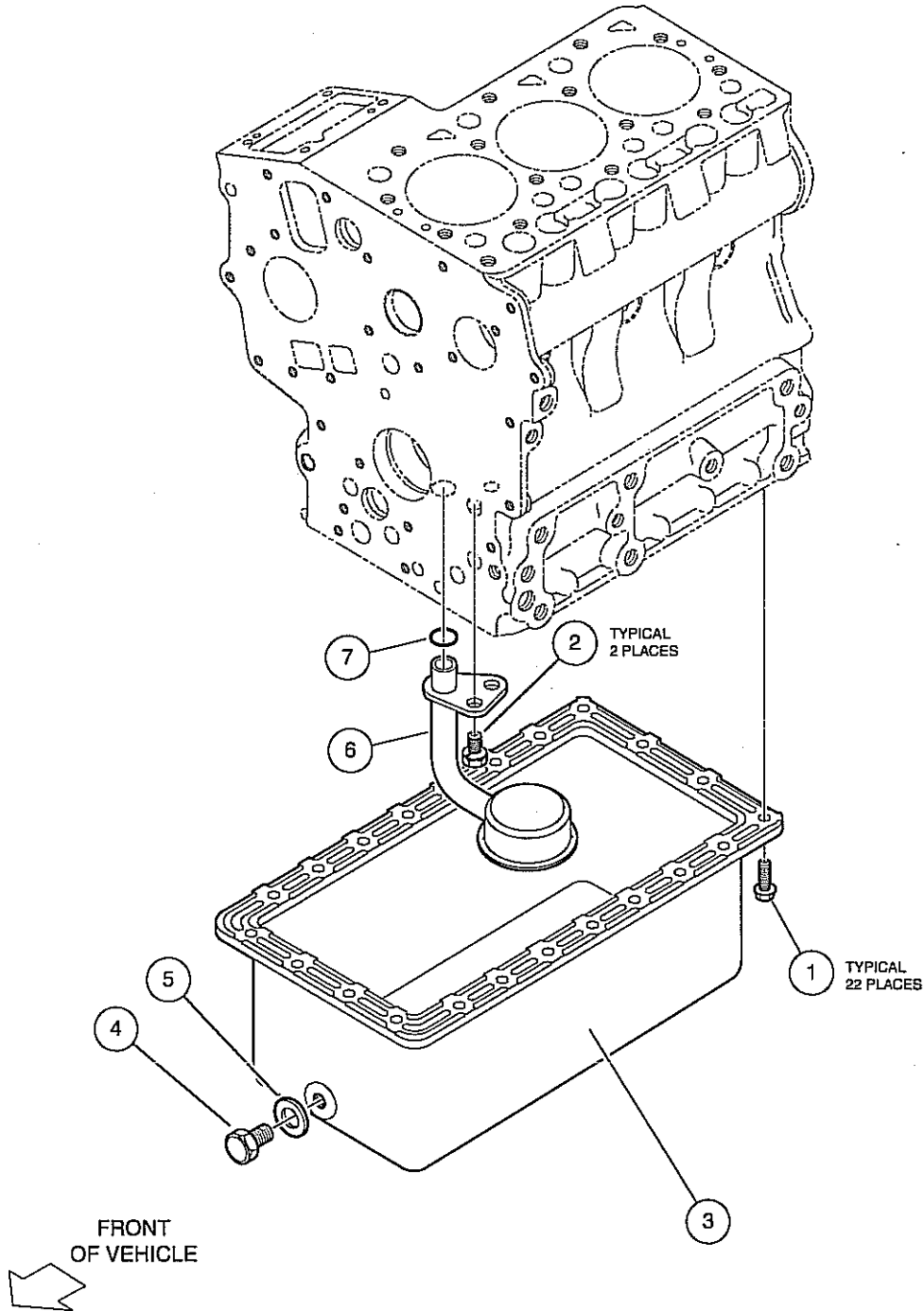
9

D

9

DIESEL ENGINE

D



000040-001

OIL PAN

9

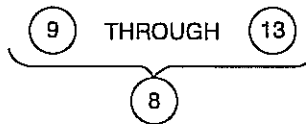
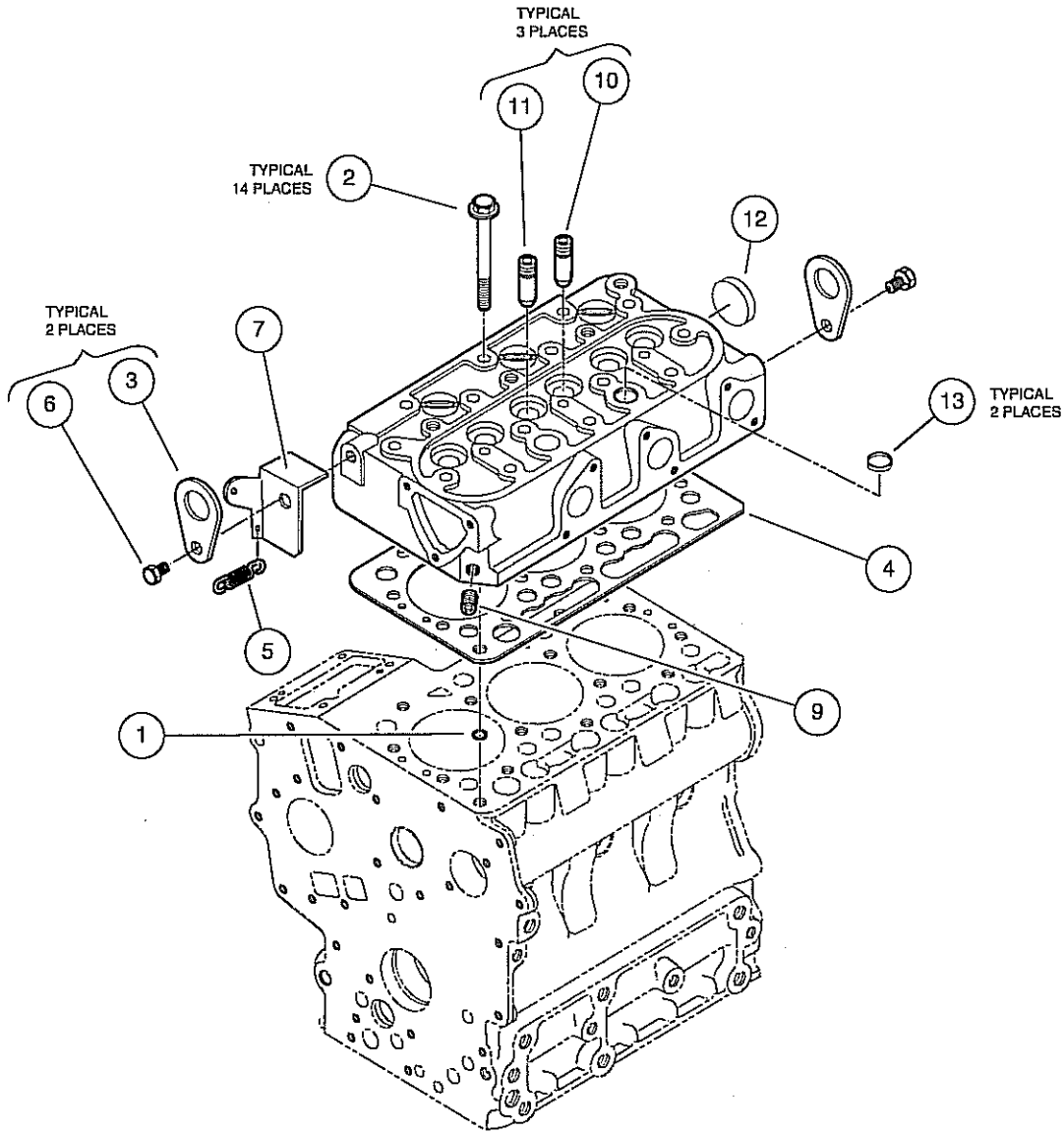
D

ITEM	PART NO.	DESCRIPTION	QTY
		1 2 3 4	
1	603 00 12-36	Bolt, M6 X 1 X 14	22
2	603 00 12-51	Bolt, M8 X 1.25 X 15	1
3	603 00 12-52	Oil Pan	1
4	603 00 12-53	Plug, Drain, M12 X 14	1
5	603 00 12-54	Gasket, 20 X 13	1
6	603 00 12-55	Filter, Oil	1
7	603 00 14-59	O Ring, 20 X 17	1

9

DIESEL ENGINE

D



000041-002

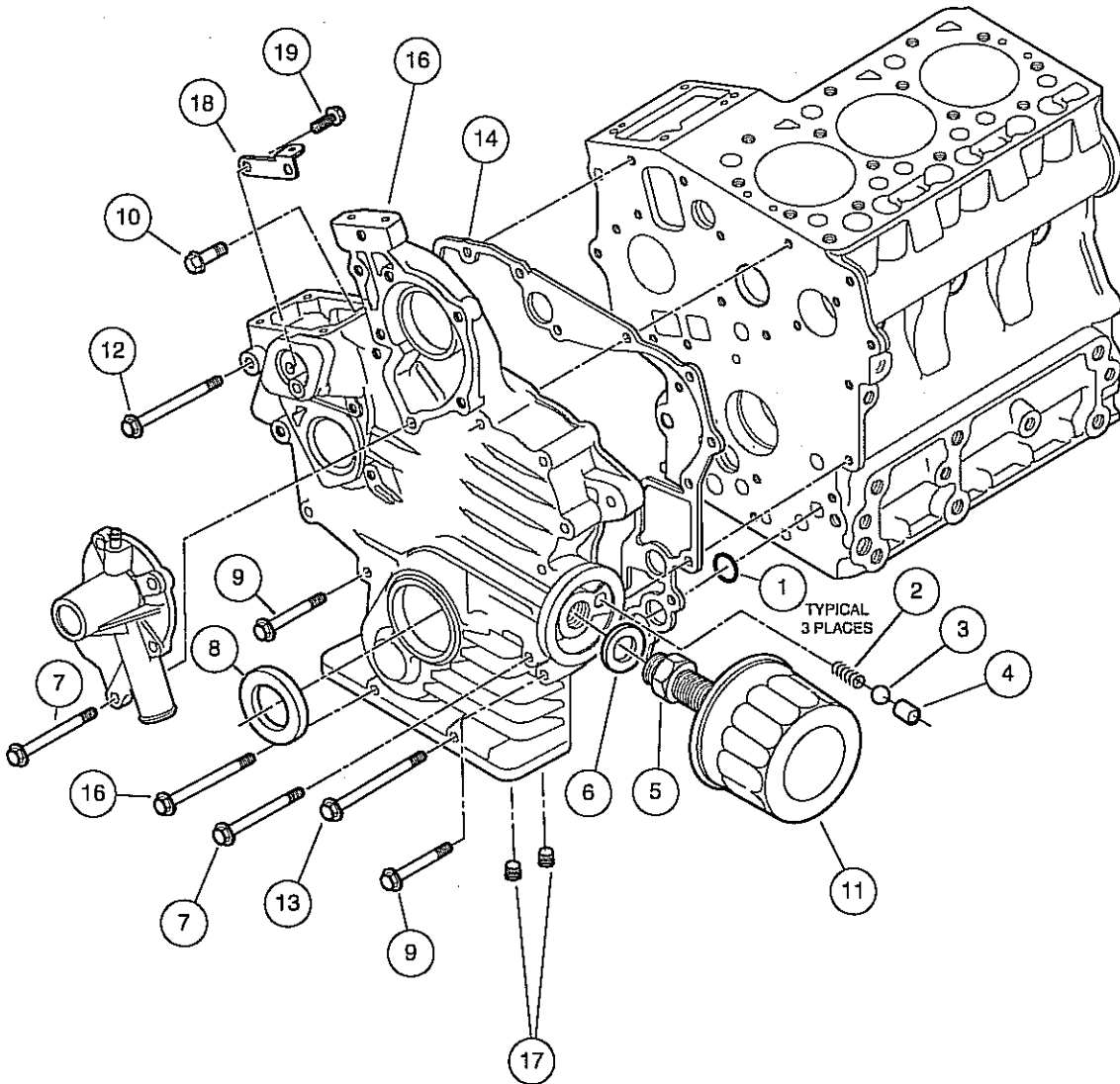
CYLINDER HEAD

ITEM	PART NO.	DESCRIPTION	QTY
		1 2 3 4	
1	603 00 12-02	O Ring, 8 X 7	1
2	603 00 14-44	Bolt, Cylinder Head	14
3	603 00 14-54	Hook, Engine	2
4	603 00 14-55	Gasket, Cylinder Head	1
5	603 00 16-62	Spring, Start	1
6	603 00 17-05	Bolt, Engine Hook	2
7	603 00 17-09	Stay, Cylinder Head	1
8	603 00 17-06	Head, Cylinder, Complete (includes items 9 through 13)	1
9	603 00 12-06	Plug, 3/32"	1
10	603 00 14-50	Guide, Exhaust Valve	3
11	603 00 14-51	Guide, Inlet Valve	3
12	603 00 17-07	Cap, Sealing, Head	1
13	603 00 17-08	Cap, Sealing, Head, Top	2

9

D

DIESEL ENGINE



000042-002

GEAR CASE

ITEM	PART NO.	DESCRIPTION	QTY
		1 2 3 4	
1	603 00 12-12	O Ring, 18 X 13	3
2	603 00 12-13	Spring, Valve	1
3	603 00 12-14	Ball, Valve	1
4	603 00 12-15	Seat, Valve	1
5	603 00 12-16	Joint, Pipe	1
6	603 00 12-17	Washer, Plain, Special	1
7	603 00 12-18	Bolt, M6 X 1 X 60	2
8	603 00 12-19	Seal, Oil	1
9	603 00 12-20	Bolt, D722, Front Case	9
10	603 00 14-56	Bolt, D722	1
11	603 00 00-41	Filter, Engine Oil, D722	1
12	603 00 17-12	Bolt, Gearcase, Top	2
13	603 00 17-13	Bolt, Gearcase, Lower	1
14	603 00 17-31	Gasket, Gearcase, D722	1
15	603 00 17-11	Case, Gear (includes items 16 through 19)	1
16	603 00 12-07	Plug, 1/4"	2
17	N/A	Case, Gear	1
18	603 00 18-10	Stay, Spring	1
19	603 00 35-95	Screw, Stay	2

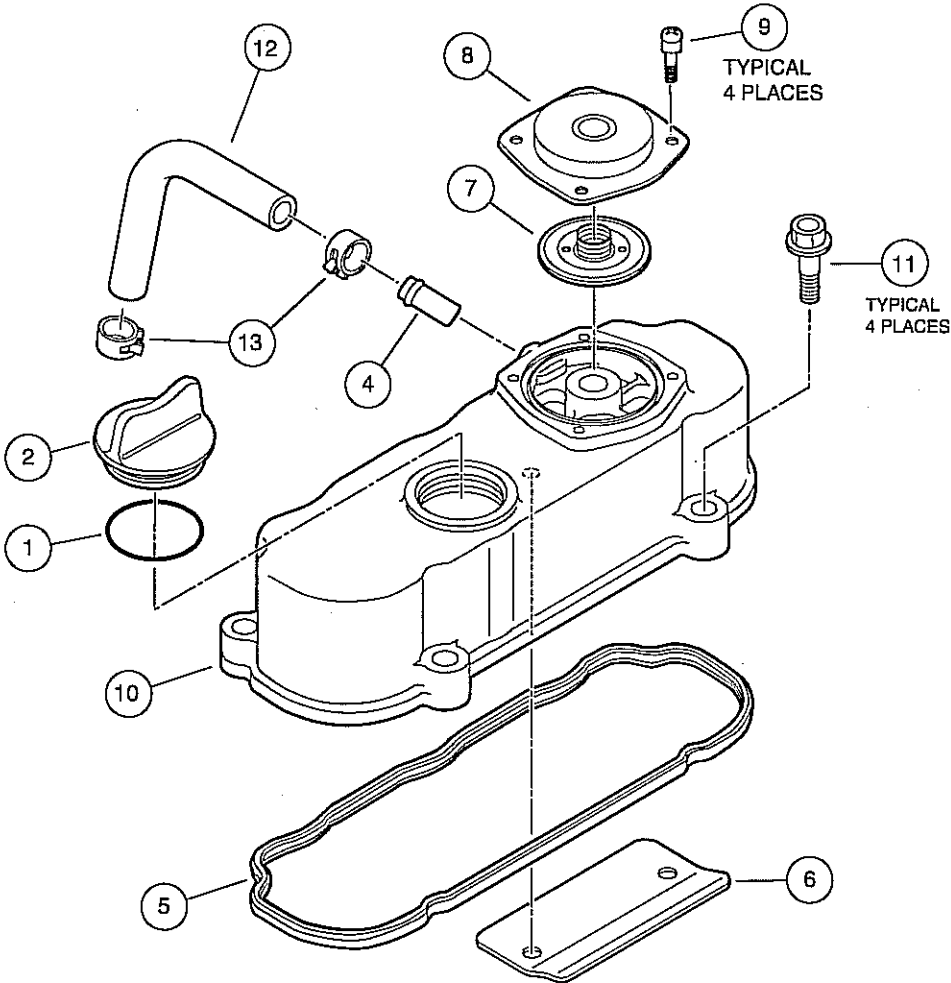
9

D

9

DIESEL ENGINE

D



FRONT
OF VEHICLE

000181-001

HEAD COVER

9

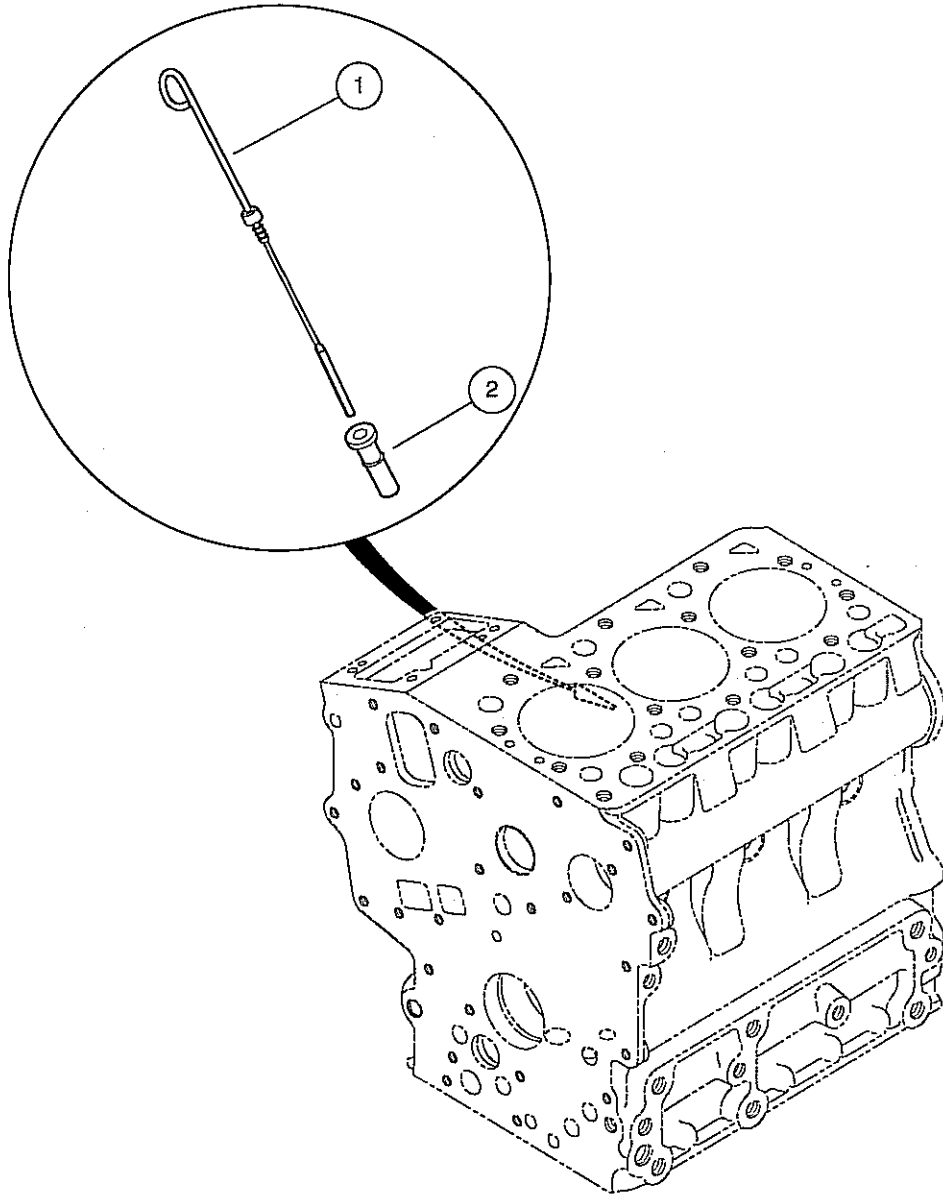
D

ITEM	PART NO.	DESCRIPTION	QTY
		1 2 3 4	
1	603 00 14-06	O Ring, 30 X 36	1
2	603 00 14-07	Plug, Oil Filler	1
3	603 00 18-13	Assembly, Cylinder Head Cover (includes items 4 through 10)	1
4	603 00 18-28	Pipe, Water Return, D722	1
5	603 00 18-23	Gasket, Cylinder Head Cover	1
6	603 00 18-24	Shield, Breather	1
7	603 00 18-25	Valve, Breather	1
8	603 00 18-26	Cover, Breather	1
9	603 00 18-27	Screw, Breather	4
10	N/A	Cover, Cylinder Head	1
11	603 00 18-29	Bolt, Cylinder Head Cover	4
12	603 00 18-30	Tube, Breather	1
13	603 00 18-31	Clamp, Breather Tube	2

9

DIESEL ENGINE

D



000044-002

DIPSTICK AND GUIDE

ITEM	PART NO.	DESCRIPTION	QTY
		1 2 3 4	
1	603 00 12-50	Gauge, Oil	1
2	603 00 17-15	Guide, Oil Gauge	1

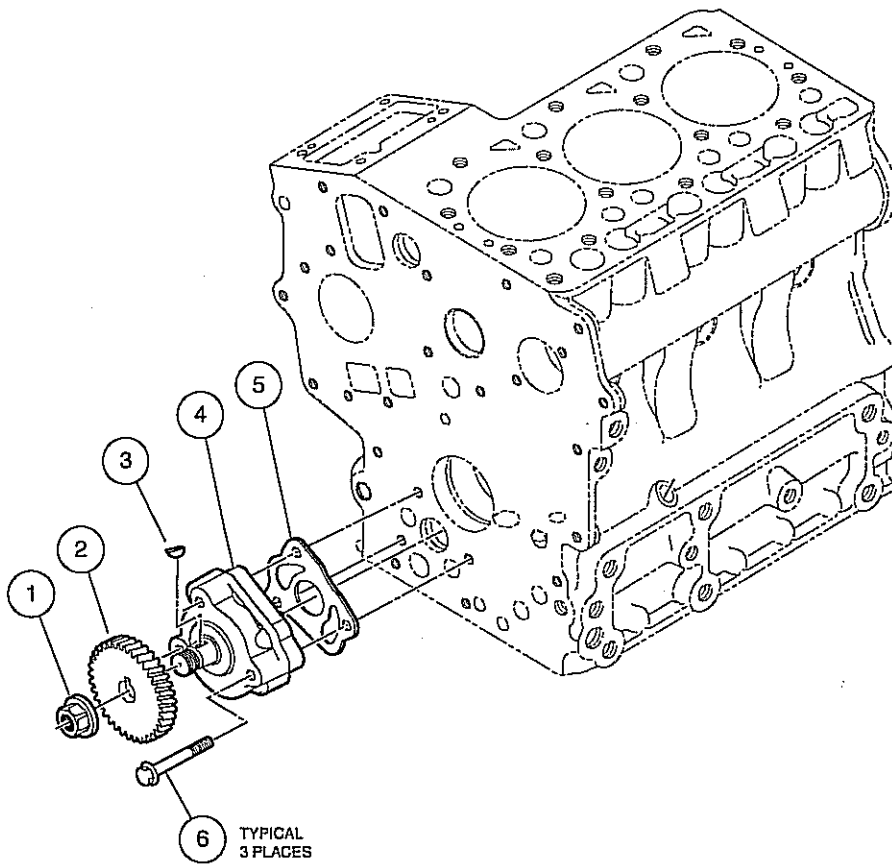
9

D

9

DIESEL ENGINE

D



FRONT
OF VEHICLE



000045-001

OIL PUMP

ITEM	PART NO.	DESCRIPTION	QTY
		1 2 3 4	
1	603 00 12-45	Nut, Flange	1
2	603 00 12-46	Gear, Oil Pump Drive	1
3	603 00 12-47	Key, Feather, 8x4	1
4	603 00 12-48	Assy, Pump, Oil	1
5	603 00 12-49	Gasket, Oil Pump	1
6	603 00 17-17	Bolt, Oil Pump	3

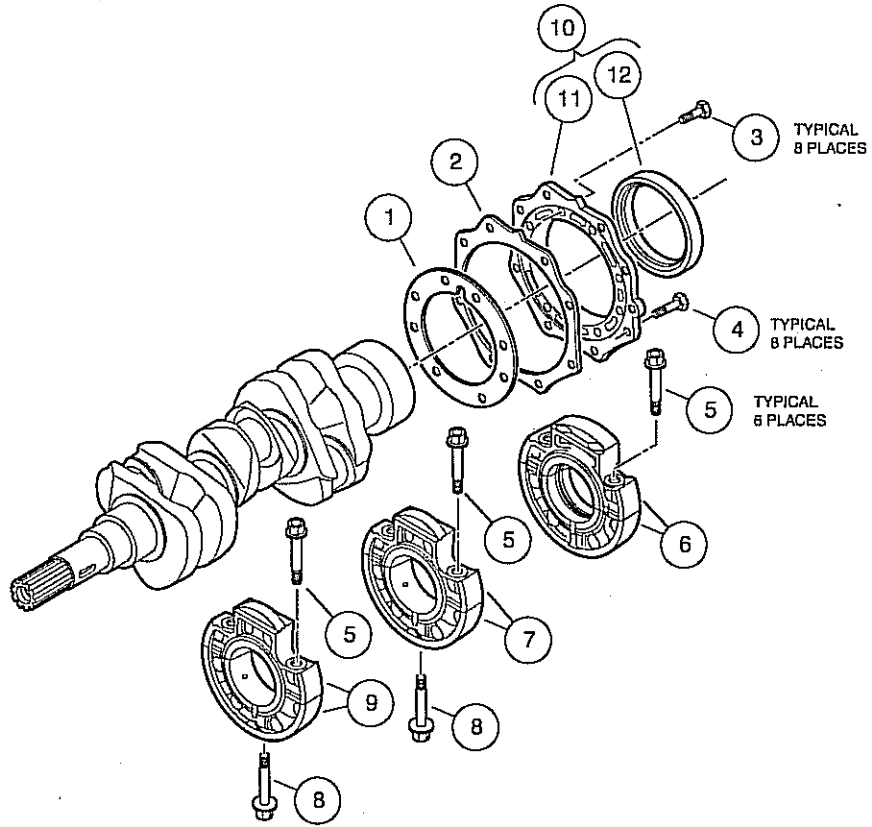
9

D

9

DIESEL ENGINE

D



FRONT
OF VEHICLE
↙

000046-001

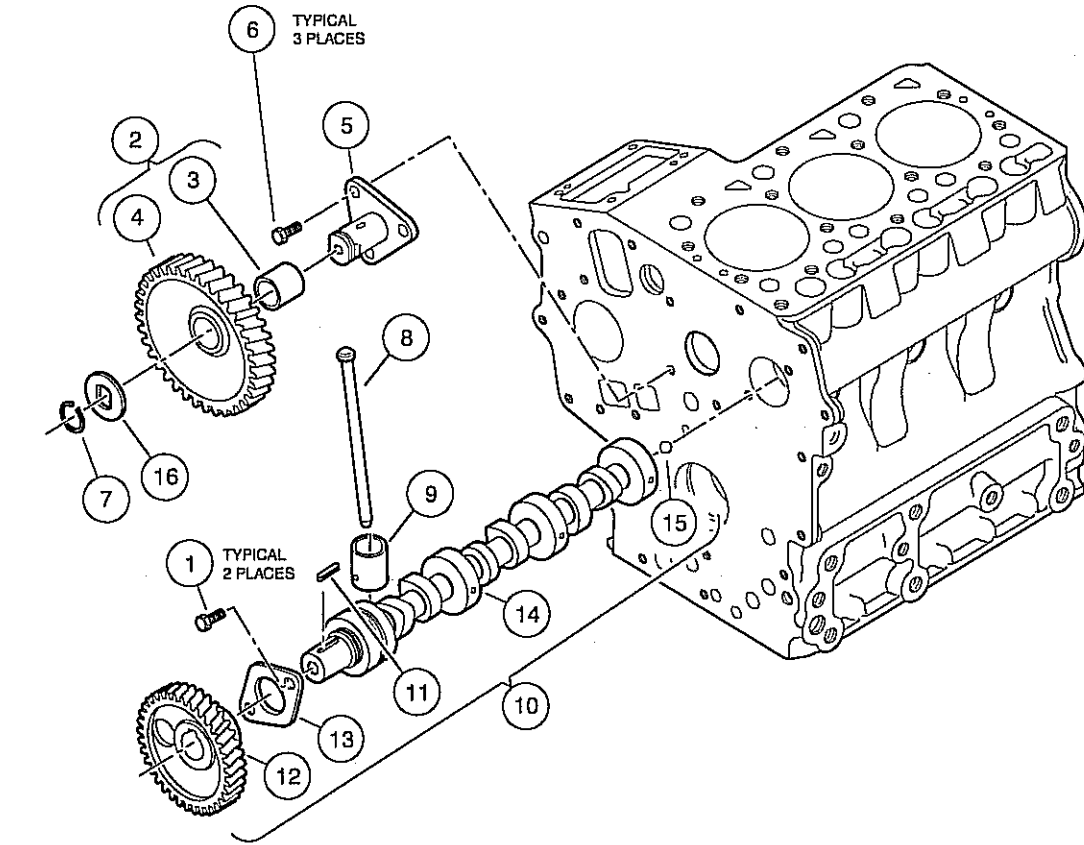
MAIN BEARING CASE

ITEM	PART NO.	DESCRIPTION	QTY
		1 2 3 4	
1	603 00 12-62	Gasket, Bearing Case	1
2	603 00 12-63	Gasket, Cover	1
3	603 00 12-66	Bolt, M6 X 1 X 20	8
4	603 00 12-67	Bolt, M6 X 1 X 22	8
5	603 00 12-74	Bolt, Bearing Case, Top	6
6	603 00 12-78	Assy Case, Main Brg, First	1
7	603 00 12-79	Assy Case, Main-Brg, Sec	1
8	603 00 12-80	Bolt, Bearing Case, Bottom	2
9	603 00 12-81	Assy Case, Main Brg, Third	1
10	603 00 17-18	Assy, Cover, Bearing Case (includes items 11 and 12)	1
11	603 00 12-64	Cover, Bearing Case	1
12	603 00 12-65	Seal, Oil	1

9

D

DIESEL ENGINE



000047-002

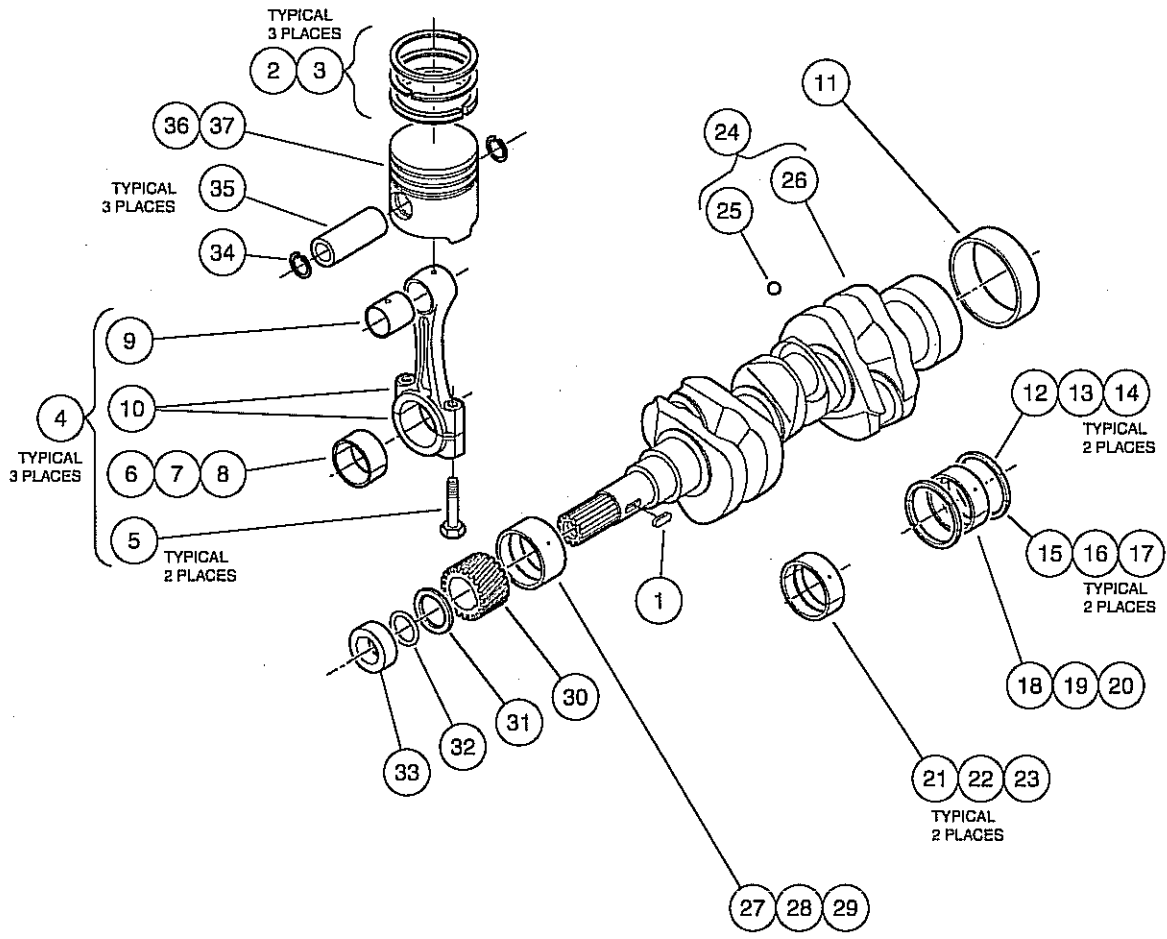
CAMSHAFT AND IDLE GEAR

ITEM	PART NO.	DESCRIPTION	QTY
		1 2 3 4	
1	603 00 12-28	Bolt, D722, Cam End	2
2	603 00 12-34	Comp. Gear, Idle (includes items 3 and 4)	1
3	603 00 12-21	Bushing, D722 Idle Gear	1
4	N/A	Gear, Idle	1
5	603 00 12-35	Shaft, Idle Gear	1
6	603 00 12-36	Bolt, M6 X 1 X 14	3
7	603 00 12-37	Ring, Snap	1
8	603 00 12-38	Push Rod	6
9	603 00 12-39	Tappet	6
10	603 00 12-42	Assy Camshaft, Long (Includes items 11 through 15)	1
11	603 00 12-40	Key, Feather, Long Camshaft	1
12	603 00 12-43	Gear, Cam	1
13	603 00 12-44	Stopper, Camshaft	1
14	N/A	Camshaft	1
15	603 00 18-14	Ball, Check	1
16	603 00 14-57	Collar, Idle Gear	1

9

D

DIESEL ENGINE



FRONT
OF VEHICLE

000048-002

PISTON AND CRANKSHAFT

ITEM	PART NO.	DESCRIPTION	QTY
		1 2 3 4	
1	603 00 12-30	Key, Feather, Short Camshaft	1
2	603 00 12-56	Assy Piston Ring, D722 Std	3
3	603 00 12-57	Assy Piston Ring, D722 +.025	3
4	603 00 12-58	Assy, Connecting Rod (includes items 5 through 10)	3
5	603 00 12-59	Bolt, Connecting Rod	6
6	603 00 13-36	Metal, Crank, Rod, D722, Std	3
7	603 00 13-37	Metal, Crank, Rod, D722, .020	3
8	603 00 13-38	Metal, Crank, Rod, D722, .040	3
9	603 00 17-58	Bushing, Piston Pin, D722	3
10	N/A	Rod, Connecting	1
11	603 00 12-61	Sleeve, Crankshaft	1
12	603 00 12-68	Metal,crank, O Side, Std	2
13	603 00 12-69	Metal,crank, O Side, +.020	2
14	603 00 12-70	Metal,crank, O Side, +.040	2
15	603 00 12-71	Metal,crank, I Side, Std	2
16	603 00 12-72	Metal,crank, I Side, +.020	2
17	603 00 12-73	Metal,crank, I Side, +.040	2
18	603 00 12-75	Metal, Crank, Main, Rear Std	1
19	603 00 12-76	Metal, Crank, Main, Rear -.020	1
20	603 00 12-77	Metal, Crank, Main, Rear -.040	1
21	603 00 12-82	Metal, Crank, Main, Mid Std	4
22	603 00 12-83	Metal, Crank, Main, Mid +.020	2
23	603 00 12-84	Metal, Crank, Main, Mid +.040	2
24	603 00 12-85	Crankshaft (includes items 25 and 26)	1
25	603 00 12-60	Ball, Crankshaft	3
26	N/A	Crankshaft	1
27	603 00 13-28	Metal, Crank, D722, Frnt, Std	1
28	603 00 13-29	Metal, Crank, 722, Frnt, -.020	1
29	603 00 13-30	Metal, Crank, 722, Frnt, -.040	1
30	603 00 13-31	Gear, Crank	1
31	603 00 13-32	Slinger, Oil	1
32	603 00 13-33	O Ring, 23 X 26	1
33	603 00 13-34	Collar, Crankshaft	1
34	603 00 13-39	Circlip, Piston Pin	6
35	603 00 13-40	Pin, Piston	3
36	603 00 17-19	Piston, D722, Std	3
37	603 00 17-20	Piston, D722, +0.25	3

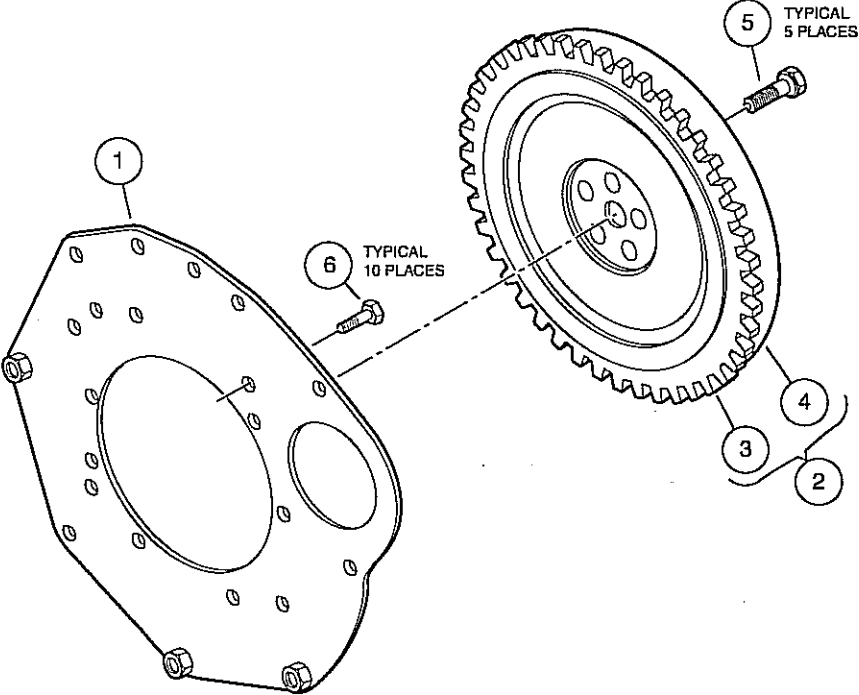
9

D

9

DIESEL ENGINE

D



FRONT
OF VEHICLE

000049-001

FLYWHEEL

ITEM	PART NO.	DESCRIPTION	QTY
		1 2 3 4	
1	603 00 14-27	Plate, Rear End	1
2	603 00 14-29	Flywheel (includes items 3 and 4)	1
3	603 00 14-30	Gear, Ring, D722	1
4	N/A	Flywheel	1
5	603 00 14-31	Bolt, Flange Head, M10 X 1.5 X 25	5
6	603 00 17-22	Bolt, End Plate	10

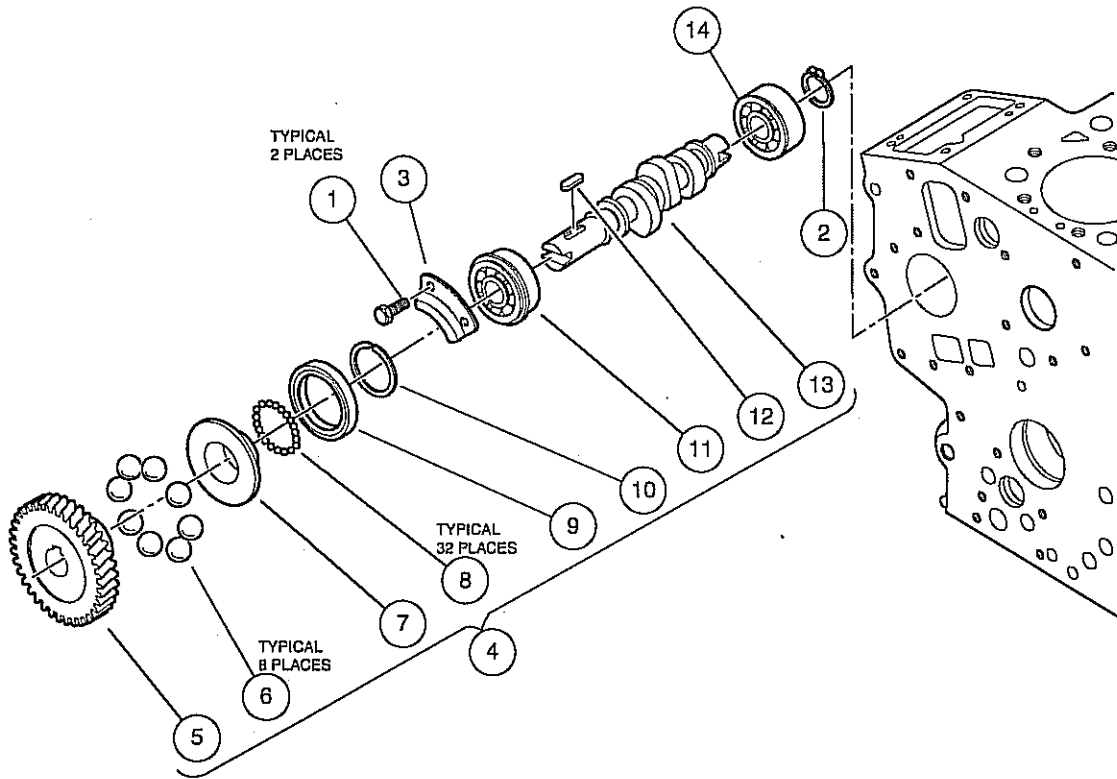
9

D

9

DIESEL ENGINE

D



FRONT
OF VEHICLE

000050-001

SHAFT

ITEM	PART NO.	DESCRIPTION	QTY
		1 2 3 4	
1	603 00 12-28	Bolt, D722, Cam End	2
2	603 00 12-32	Circlip, External	1
3	603 00 12-33	Stopper, Fuel, C/shaft	1
4	603 00 17-23	Assy, Fuel Camshaft (includes items 5 through 13)	1
5	603 00 12-22	Gear, Injection Pump	1
6	603 00 12-23	Ball, Injection Pump	8
7	603 00 12-24	Sleeve, Governor	1
8	603 00 12-25	Ball, Governor	32
9	603 00 12-26	Case, Governor Ball	1
10	603 00 12-27	Circlip	1
11	603 00 12-29	Bearing, Ball	1
12	603 00 12-30	Key, Feather, Short Camshaft	1
13	603 00 12-31	Camshaft, Fuel, Short	1
14	603 00 17-24	Bearing, Ball	1

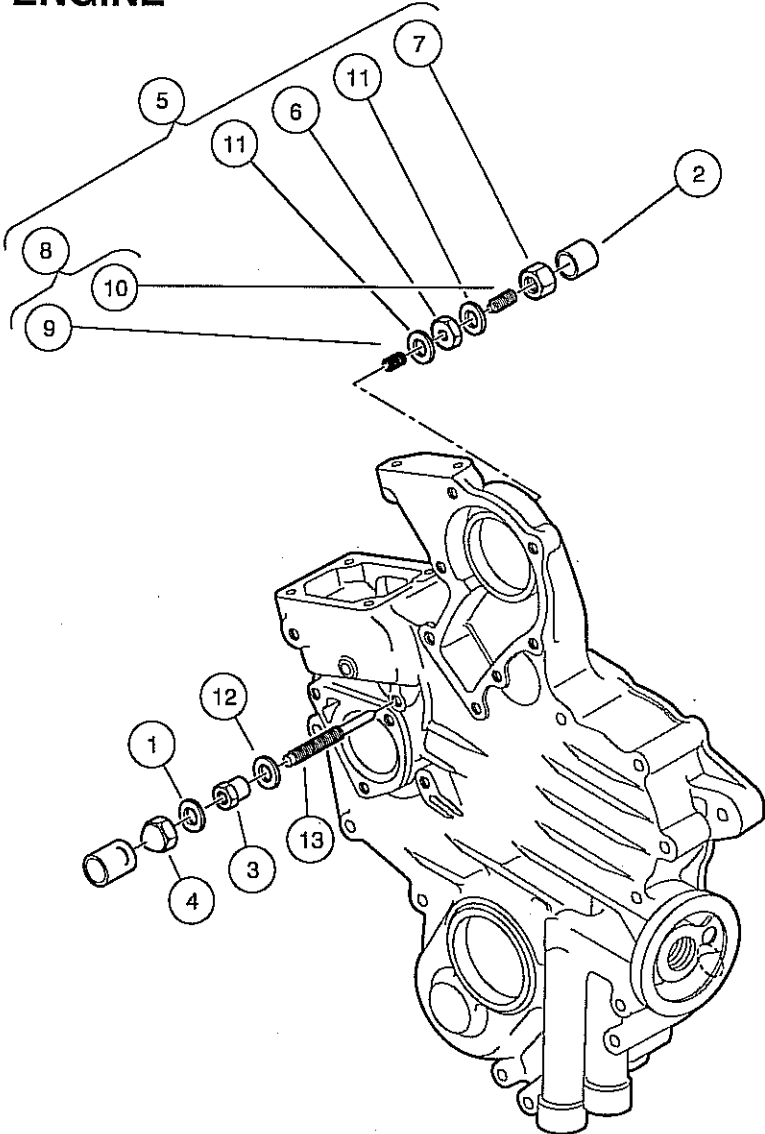
9

D

9

DIESEL ENGINE

D



FRONT
OF VEHICLE
⇨

000051-002

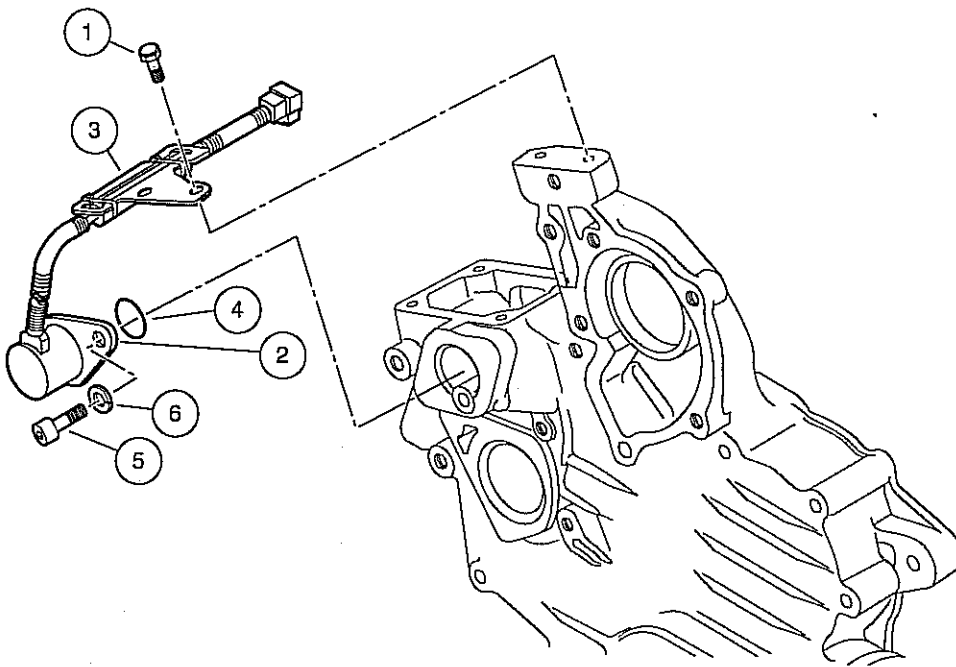
IDLE APPARATUS

ITEM	PART NO.	DESCRIPTION	QTY
		1 2 3 4	
1	603 00 13-69	Gasket, 6 X 10	1
2	603 00 13-71	Cap, Bolt Assy	1
3	603 00 13-81	Nut, Lock, Special	1
4	603 00 13-82	Nut, Special	1
5	603 00 17-25	Assy, Idle Apparatus (Includes items 6 through 11)	1
6	603 00 13-70	Nut, M8	1
7	603 00 13-72	Nut, M8	1
8	603 00 17-26	Assy, Bolt, Adjusting (includes items 9 and 10)	1
9	603 00 35-96	Spring, Idle Apparatus	1
10	N/A	Stud, Idle Adjustment	1
11	603 00 28-00	Gasket, Idle Apparatus, Rear	2
12	603 00 17-28	Gasket, Idle Apparatus, Front	1
13	603 00 28-01	Bolt, Idle Adjusting	1

9

D

DIESEL ENGINE



000182-001

STOP SOLENOID

9

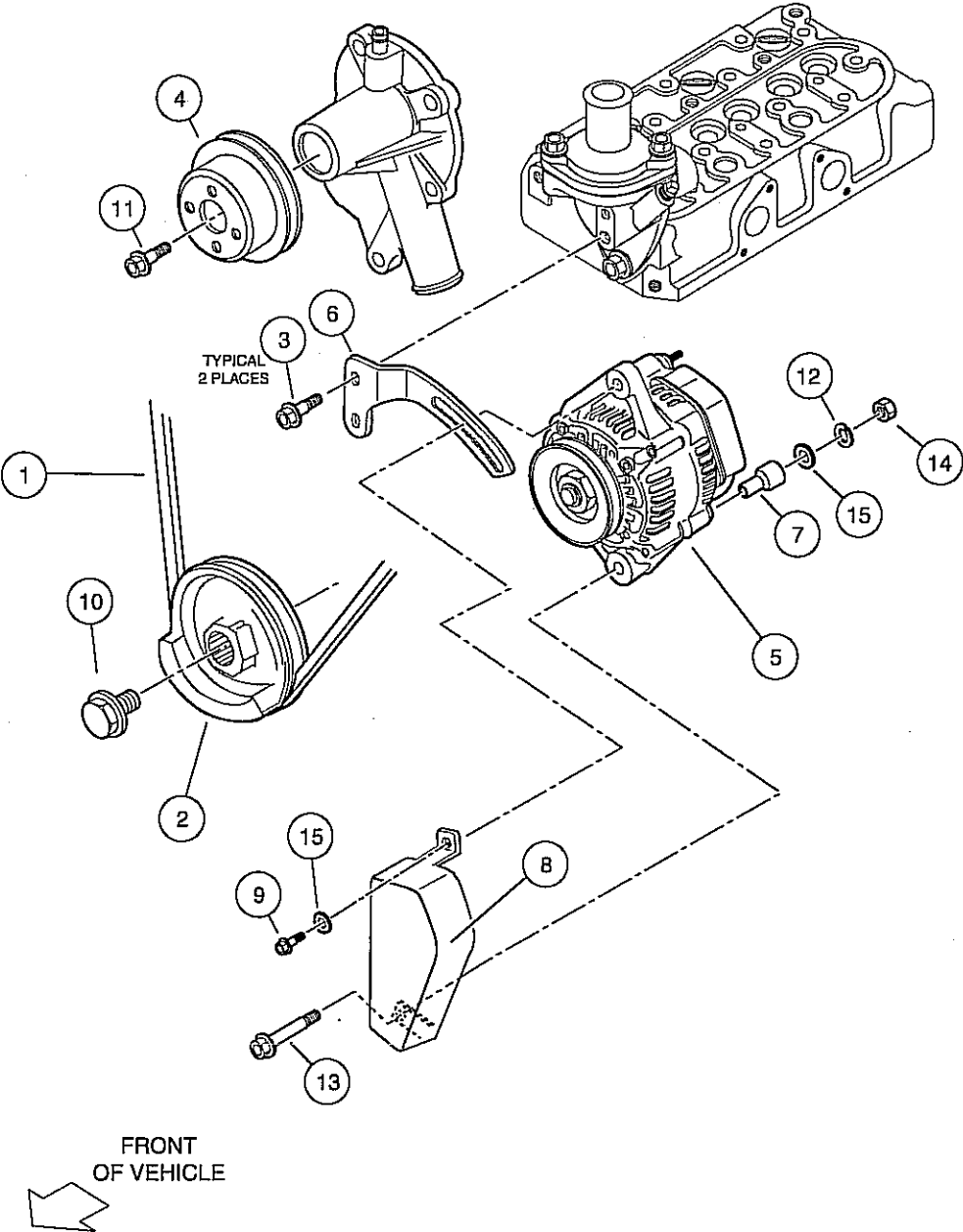
D

ITEM	PART NO.	DESCRIPTION	QTY
		1 2 3 4	
1	603 00 17-30	Bolt, Solenoid, Stop, D722	2
2	603 00 17-29	Solenoid, Stop	1
3	603 00 18-15	Stay, Stop Solenoid	1
4	603 00 18-16	O-Ring, Stop Solenoid	1
5	603 00 18-17	Bolt, Stop Solenoid	2
6	603 00 35-97	Washer, Lock Spring	2

9

DIESEL ENGINE

D



000057-002

ALTERNATOR

ITEM	PART NO.	DESCRIPTION	QTY
		1 2 3 4	
1	603 00 12-08	V-Belt	1
2	603 00 13-35	Pulley, Fan Drive	1
3	603 00 13-43	Bolt, M6 X 1 X 20	2
4	603 00 16-63	Pulley, Water Pump	1
5	603 00 17-38	Alternator, 40-Amp	1
6	603 00 17-39	Stay, Alternator Assy, D722	1
7	603 00 17-40	Collar, Alternator Assy, D722	1
8	603 00 17-41	Cover, Alternator Assy, D722	1
9	603 00 17-42	Bolt, Alt, D722, Adjuster	1
10	603 00 17-44	Bolt, Alt, D722, Drive Pulley	1
11	603 00 17-51	Bolt, D722, Drive Pulley	4
12	603 00 18-19	Washer, Spring, D722, Starter	1
13	603 00 17-43	Bolt, Alternator, Lower	1
14	603 00 35-98	Nut, Alternator, Lower	1
15	603 00 18-21	Washer, Alternator, Upper	2

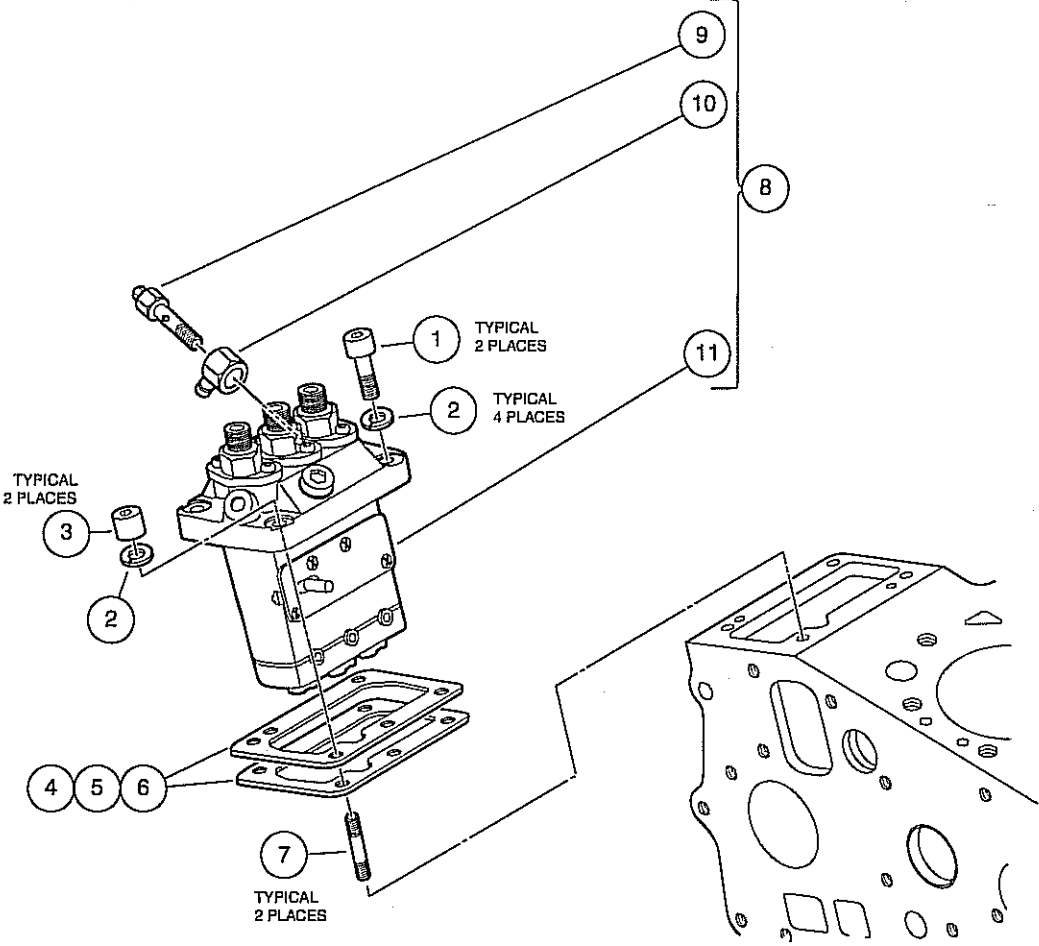
9

D

9

DIESEL ENGINE

D



000053-002

INJECTION PUMP

ITEM	PART NO.	DESCRIPTION	QTY
		1 2 3 4	
1	603 00 13-85	Bolt, Hex-Head, M5 X 0.75 X	2
2	603 00 18-18	Washer, Spring, M6, D722	4
3	603 00 13-87	Nut, Special	2
4	603 00 13-88	Shim, Injection Pump, 0.20 mm	A/R
5	603 00 13-89	Shim, Injection Pump, 0.25 mm	A/R
6	603 00 13-90	Shim, Injection Pump, 0.30 mm	A/R
7	603 00 13-91	Stud, M5 X 25	2
8	603 00 13-83	Assembly, Fuel Injection Pump (includes items 9 through 11)	1
9	N/A	Screw, Hollow, D722, Inj Pump	1
10	603 00 13-84	Joint, Eye	1
11	N/A	Pump, Injection	1

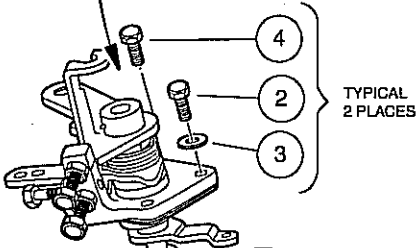
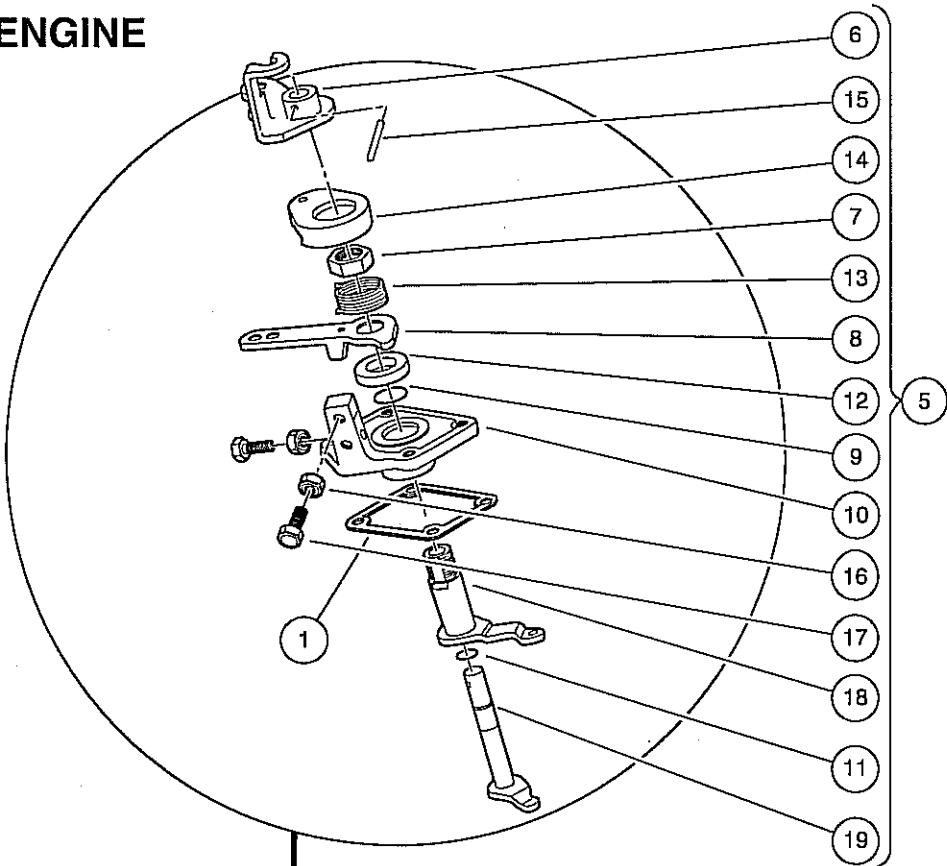
9

D

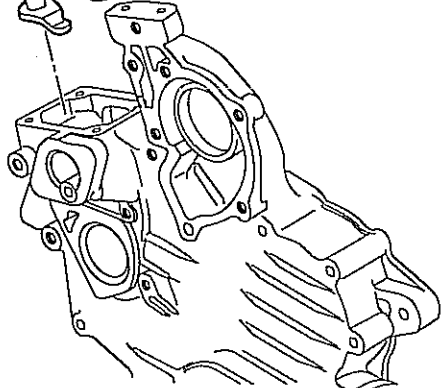
9

DIESEL ENGINE

D



FRONT
OF VEHICLE



000054-002

SPEED CONTROL PLATE

ITEM	PART NO.	DESCRIPTION	QTY
		1 2 3 4	
1	603 00 13-63	Gasket, Control Plate	1
2	603 00 13-68	Bolt, M6 X 1 X 30	2
3	603 00 13-69	Gasket, 6 X 10	2
4	603 00 14-56	Bolt, D722	2
5	603 00 16-64	Assembly, Speed Plate (includes items 6 through 19)	1
6	603 00 13-55	Lever, Engine Stop	1
7	603 00 13-56	Nut, Speed Control	1
8	603 00 13-57	Lever, Speed Control	1
9	603 00 13-58	O Ring, 19 X 16	1
10	603 00 13-59	Plate, Speed Control	1
11	603 00 13-62	O Ring, 9 X 7	1
12	603 00 13-64	Collar, Lever	1
13	603 00 13-65	Spring, Return	1
14	603 00 17-32	Cap, Speed Cntrl Plate Rtrn	1
15	603 00 17-33	Pin, Spring, Speed Plate	1
16	N/A	Nut, Speed Control	2
17	N/A	Bolt, Speed Control	2
18	603 00 13-60	Lever, Governor	1
19	603 00 13-61	Shaft, Governor Lever	1

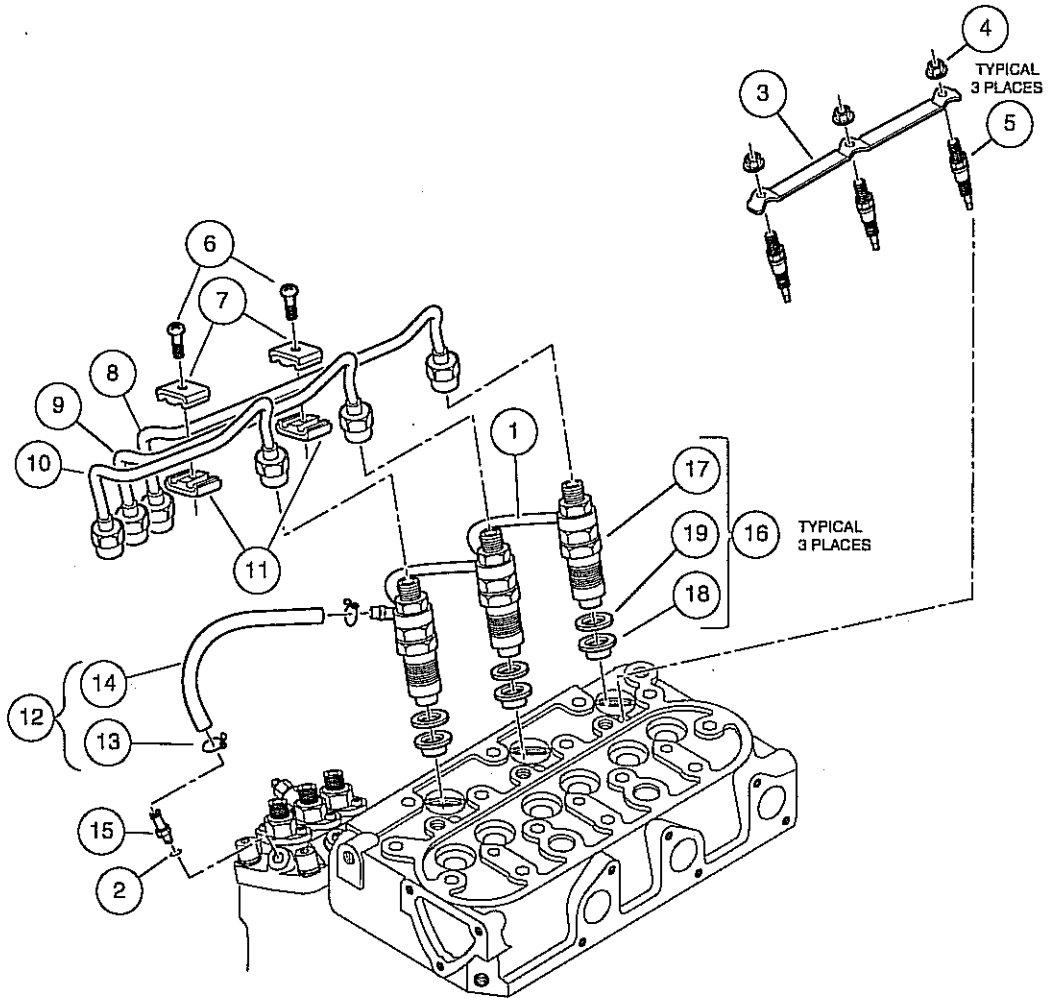
9

D

9

DIESEL ENGINE

D



FRONT
OF VEHICLE
↙

000055-001

NOZZLE HOLDERS AND GLOW PLUGS

ITEM	PART NO.	DESCRIPTION	QTY
		1 2 3 4	
1	603 00 12-41	Assy Pipe, D722 Fuel Over Flow	1
2	603 00 13-69	Gasket, 6 X 10	1
3	603 00 13-93	Cord, Glow Plug	1
4	603 00 13-94	Nut, Flange,m4	3
5	603 00 13-95	Glow Plug	3
6	603 00 13-97	Screw, Washer	2
7	603 00 13-98	Clamp, Pipe, Top	2
8	603 00 13-99	Pipe, Injection, Left	1
9	603 00 14-00	Pipe, Injection, Right	1
10	603 00 14-01	Pipe, Injection, Middle	1
11	603 00 14-02	Clamp, Pipe, Bottom	2
12	603 00 14-03	Assy Pipe, Over Flow (includes items 13 and 14)	1
13	603 00 17-34	Clip, Pipe, Return	2
14	N/A	Hose, Overflow	1
15	603 00 14-05	Screw, Air Bleeder	1
16	603 00 17-35	Kit, Holder, Nozzle (includes items 17 through 19)	3
17	603 00 13-92	Assembly, Nozzle Holder	3
18	603 00 13-96	Seal, Heat	3
19	603 00 14-04	Gasket, Nozzle	3

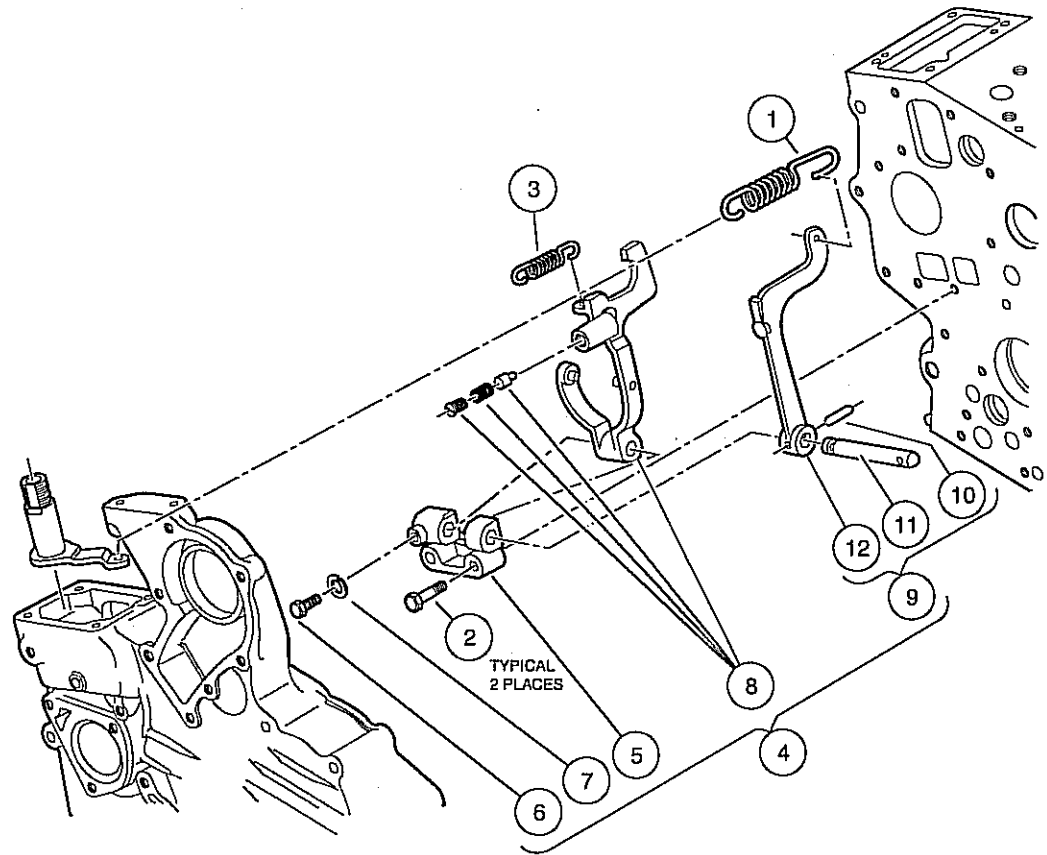
9

D

9

DIESEL ENGINE

D



FRONT
OF VEHICLE
←

000056-002

GOVERNOR COMPONENTS

ITEM	PART NO.	DESCRIPTION	QTY
		1 2 3 4	
1	603 00 13-67	Spring, Governor	1
2	603 00 13-76	Bolt, M5 X 0.75 X 25	2
3	603 00 13-66	Spring, Start	1
4	603 00 17-36	Assembly, Governor Fork (includes items 5 through 9)	1
5	603 00 13-75	Holder, Fork Lever	1
6	603 00 13-77	Bolt, M5 X 0.75 X 11	1
7	603 00 13-78	Washer, Spring, M5	1
8	N/A	Lever, Fork, Middle, D722 CB	1
9	N/A	Assembly, Governor Fork Level, Lower, D722 CB (includes items 10 through 12)	1
10	603 00 13-54	Pin, Spring	1
11	603 00 13-79	Shaft, Fork Lever	1
12	N/A	Lever, Fork, End, D722 CB	1

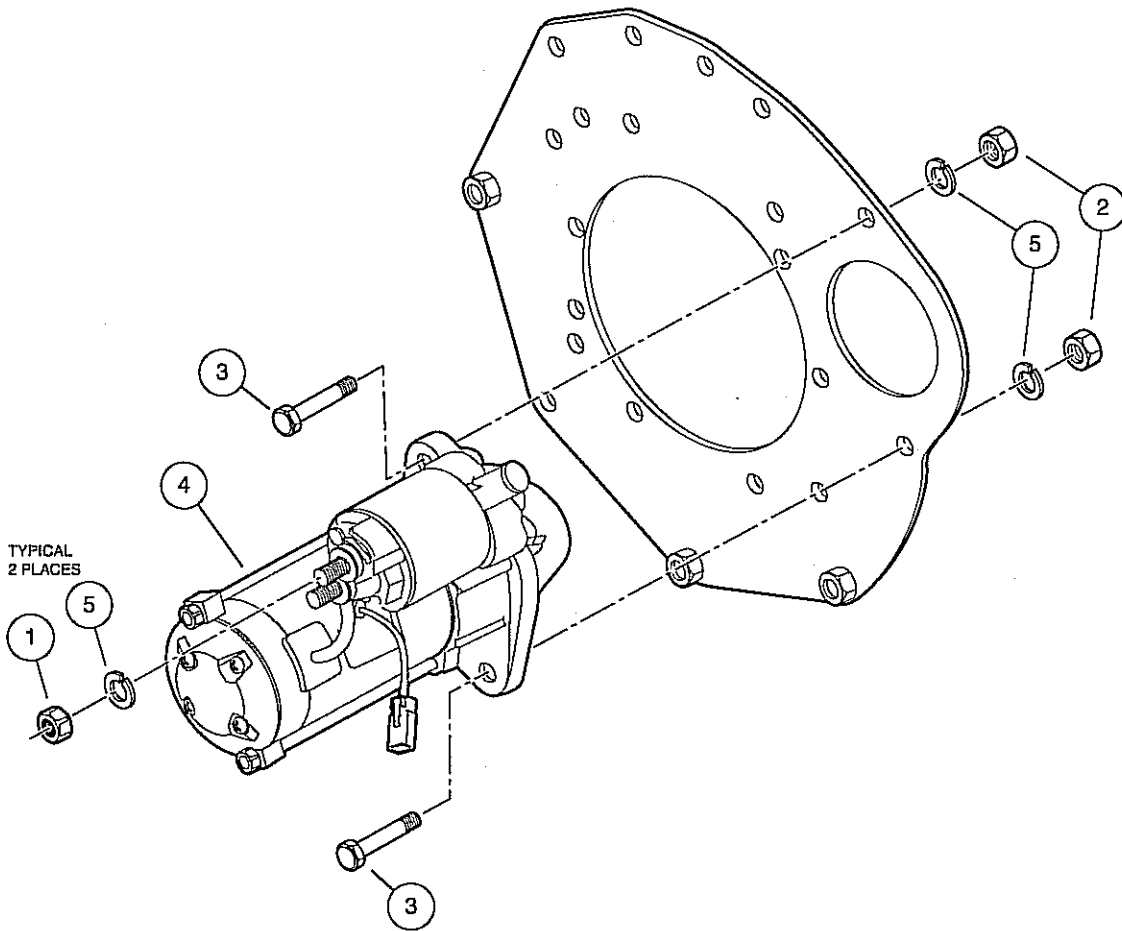
9

D

9

DIESEL ENGINE

D



TYPICAL
2 PLACES

FRONT
OF VEHICLE


000058-001

STARTER

ITEM	PART NO.	DESCRIPTION	QTY
		1 2 3 4	
1	603 00 14-17	Nut, D722, Starter	2
2	603 00 18-20	Nut, M8, Plate	2
3	603 00 14-32	Bolt, M8 X 1.25 X 28	2
4	603 00 14-33	Motor, Starter	1
5	603 00 18-19	Washer, Spring, D722, Starter	4

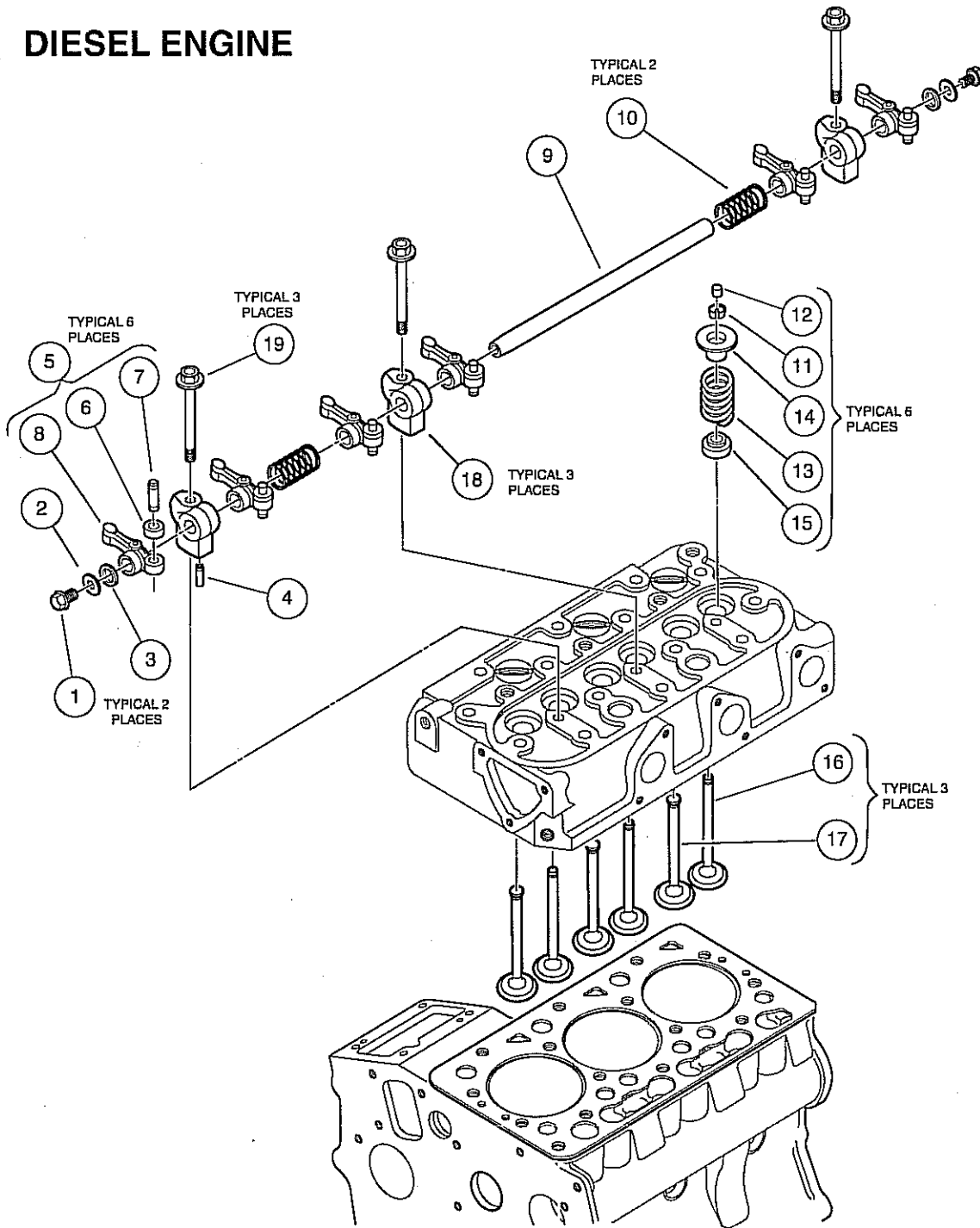
9

D

9

DIESEL ENGINE

D



FRONT
OF VEHICLE

000062-002

VALVES AND ROCKER ARMS

ITEM	PART NO.	DESCRIPTION	QTY
		1 2 3 4	
1	603 00 14-22	Bolt, M6 X 1 X 8	2
2	603 00 14-34	Washer, D722, Plain, Rocker	2
3	603 00 14-36	Washer, Rocker Arm	2
4	603 00 14-38	Pin, Spring, D722, Rocker	1
5	603 00 14-40	Assy Rocker Arm (includes items 6 through 8)	6
6	603 00 14-35	Nut, M6	6
7	603 00 14-37	Screw-Adjusting	6
8	N/A	Arm, Rocker	1
9	603 00 14-42	Shaft, Rocker Arm	1
10	603 00 14-43	Spring, Rocker Arm	2
11	603 00 14-45	Collet, Valve Spring, Set	6
12	603 00 14-46	Cap, Valve, D722	6
13	603 00 14-47	Spring, Valve	6
14	603 00 14-48	Retainer, Spring	6
15	603 00 14-49	Seal, Valve Stem	6
16	603 00 14-52	Valve, Exhaust	3
17	603 00 14-53	Valve, Inlet	3
18	603 00 14-41	Bracket, Rocker Arm, D722 Cb	3
19	603 00 14-39	Bolt, Rocker Arm	3

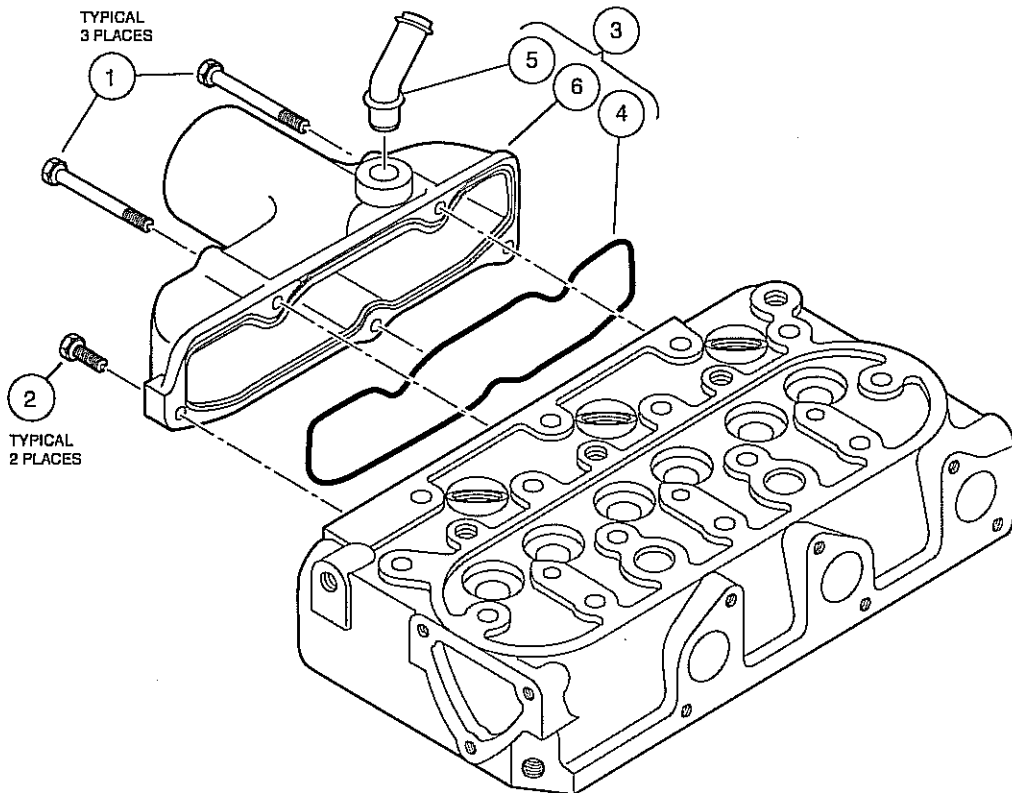
9

D

9

DIESEL ENGINE

D



FRONT
OF VEHICLE



000063-002

DIESEL INLET MANIFOLD

ITEM	PART NO.	DESCRIPTION	QTY
		1 2 3 4	
1	603 00 14-20	Bolt, M6 X 1 X 45	3
2	603 00 14-56	Bolt, D722	2
3	603 00 14-18	Assembly, Intake Manifold (includes items 4 through 6)	1
4	603 00 14-19	Gasket, Intake Manifold	1
5	603 00 18-22	Pipe, Breather	1
6	N/A	Manifold, Intake	1

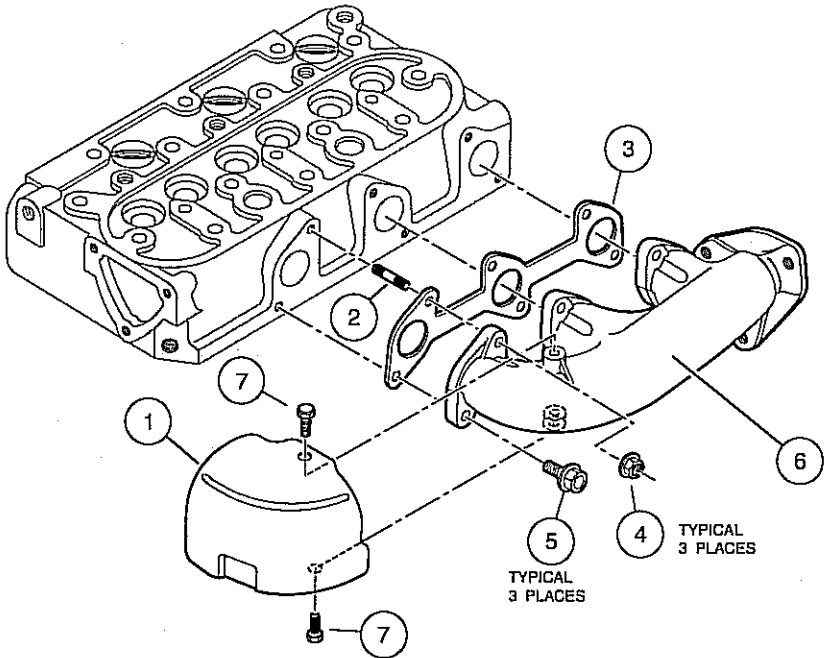
9

D

9

DIESEL ENGINE

D



000064-001

EXHAUST MANIFOLD

ITEM	PART NO.	DESCRIPTION	QTY
		1 2 3 4	
1	603 00 14-21	Cover, Heat Proof	1
2	603 00 14-23	Stud, M6 X 26	3
3	603 00 14-24	Gasket, Ex-manifold	1
4	603 00 14-25	Nut, Flange, M6, Ubs	3
5	603 00 14-26	Bolt, Flange Head, M6 X 1 X 16	3
6	603 00 17-52	Manifold, Exhaust, D722	1
7	603 00 17-53	Bolt, D722, Exhst Manfld Cover	2

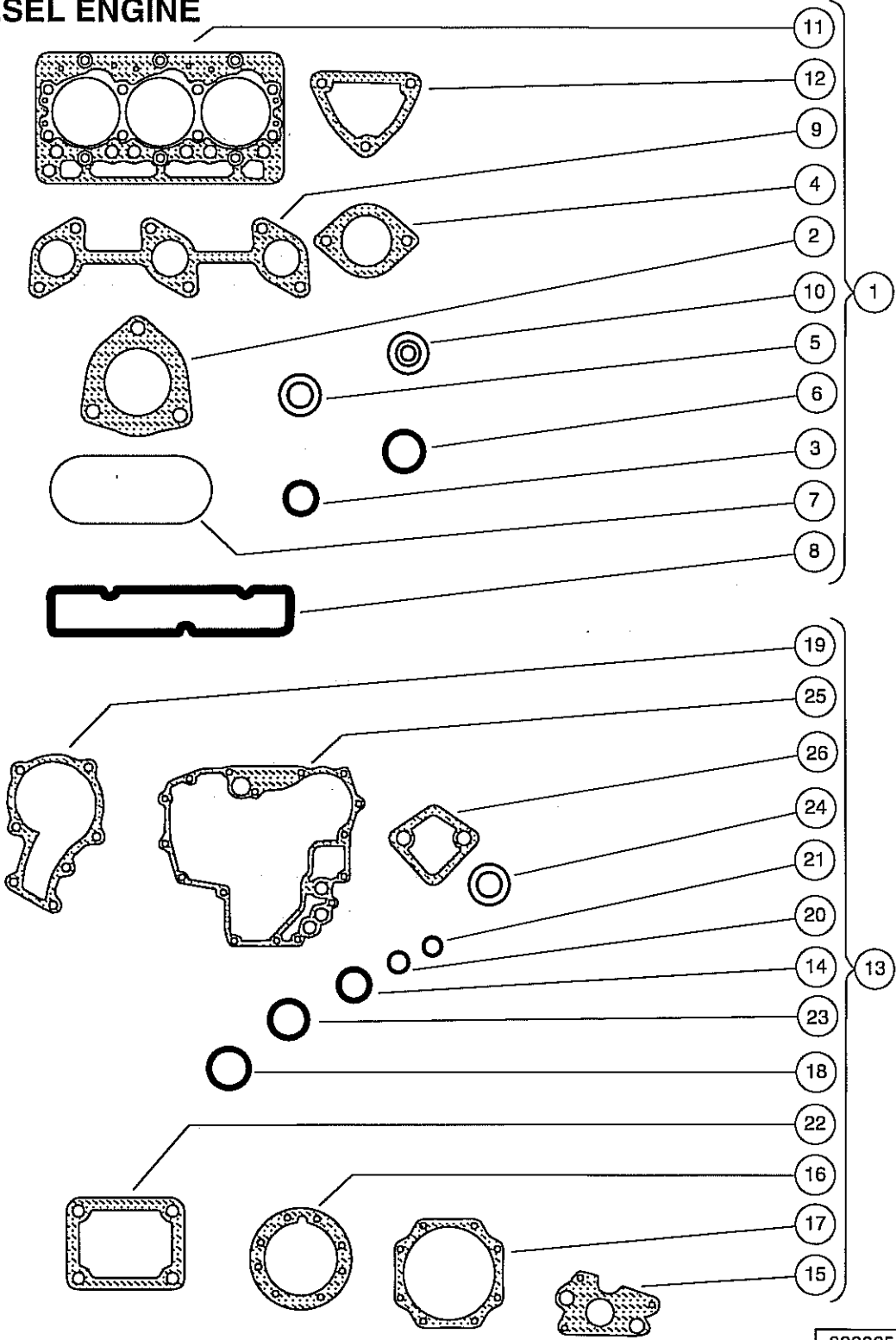
9

D

9

DIESEL ENGINE

D



000065-001

GASKET KITS

ITEM	PART NO.	DESCRIPTION	QTY
		1 2 3 4	
1	603 00 17-55	Kit, Gasket Upper, D722 (includes items 2 through 12)	1
2	603 00 09-96	Gasket, Exhaust Diesel	1
3	603 00 12-02	O Ring, 8 X 7	1
4	603 00 13-53	Gasket, Thermostat	1
5	603 00 13-69	Gasket, 6 X 10	3
6	603 00 14-06	O Ring, 30 X 36	1
7	603 00 14-10	Gasket, Head Cover	1
8	603 00 14-19	Gasket, Intake Manifold	1
9	603 00 14-24	Gasket, Ex-manifold	1
10	603 00 14-49	Seal, Valve Stem	6
11	603 00 14-55	Gasket, Cylinder Head	1
12	603 00 14-60	Gasket, Water Flange	1
13	603 00 17-56	Kit, Gasket Lower, D722 (includes items 14 through 26)	1
14	603 00 12-12	O Ring, 18 X 13	3
15	603 00 12-49	Gasket, Oil Pump	1
16	603 00 12-62	Gasket, Bearing Case	1
17	603 00 12-63	Gasket, Cover	1
18	603 00 13-33	O Ring, 23 X 26	1
19	603 00 13-49	Gasket, Water Pump, D722	1
20	603 00 13-58	O Ring, 19 X 16	1
21	603 00 13-62	O Ring, 9 X 7	1
22	603 00 13-63	Gasket, Control Plate	1
23	603 00 14-59	O Ring, 20 X 17	1
24	603 00 28-00	Gasket, Idle Apparatus, Rear	2
25	603 00 17-31	Gasket, Gearcase, D722	1
26	603 00 17-62	Gasket, Fuel Pump, D722	1

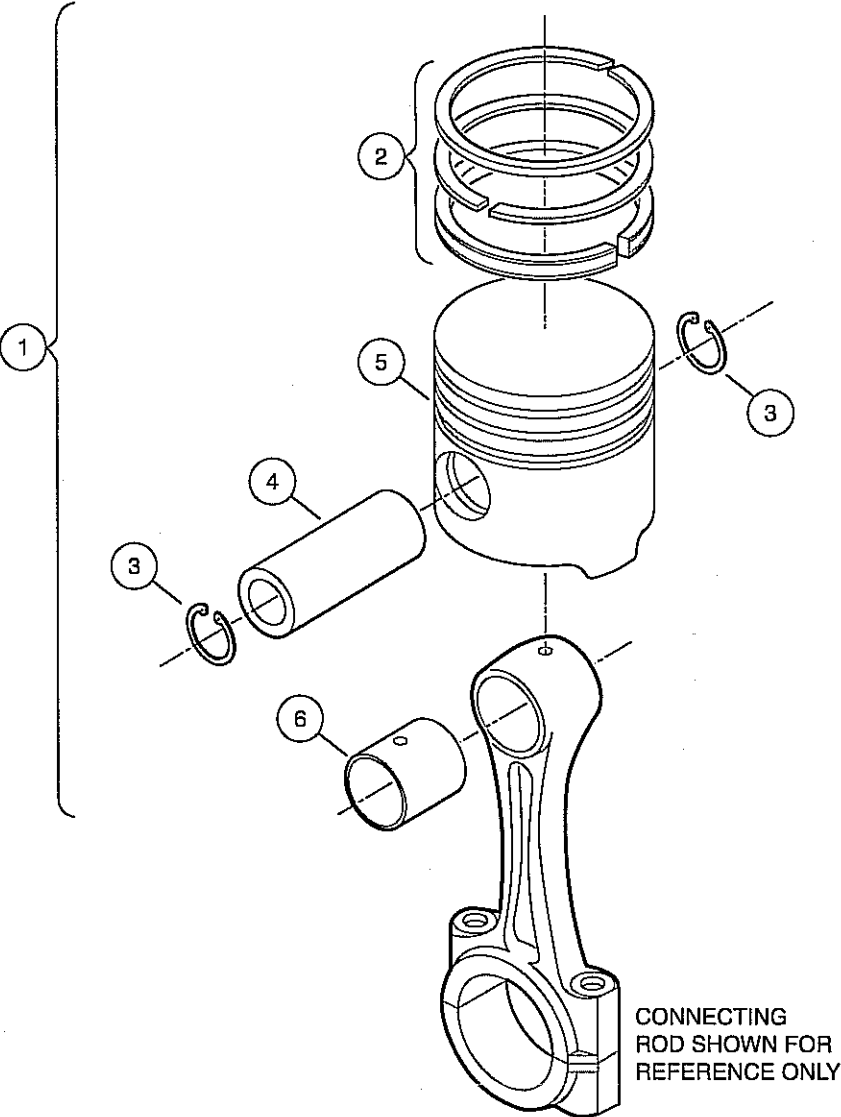
9

D

9

DIESEL ENGINE

D



000066-001

PISTON KIT

ITEM	PART NO.	DESCRIPTION	QTY
		1 2 3 4	
1	603 00 17-57	Kit, Piston Rebuild, D722 (includes items 2 through 6)	1
2	603 00 12-56	Assy Piston Ring, D722 Std	1
3	603 00 13-39	Circlip, Piston Pin	2
4	603 00 13-40	Pin, Piston	1
5	603 00 17-19	Piston, D722, Std	1
6	603 00 17-58	Bushing, Piston Pin, D722	1

9

D

9

D

FUEL, INTAKE, & GOVERNOR SYSTEM

10

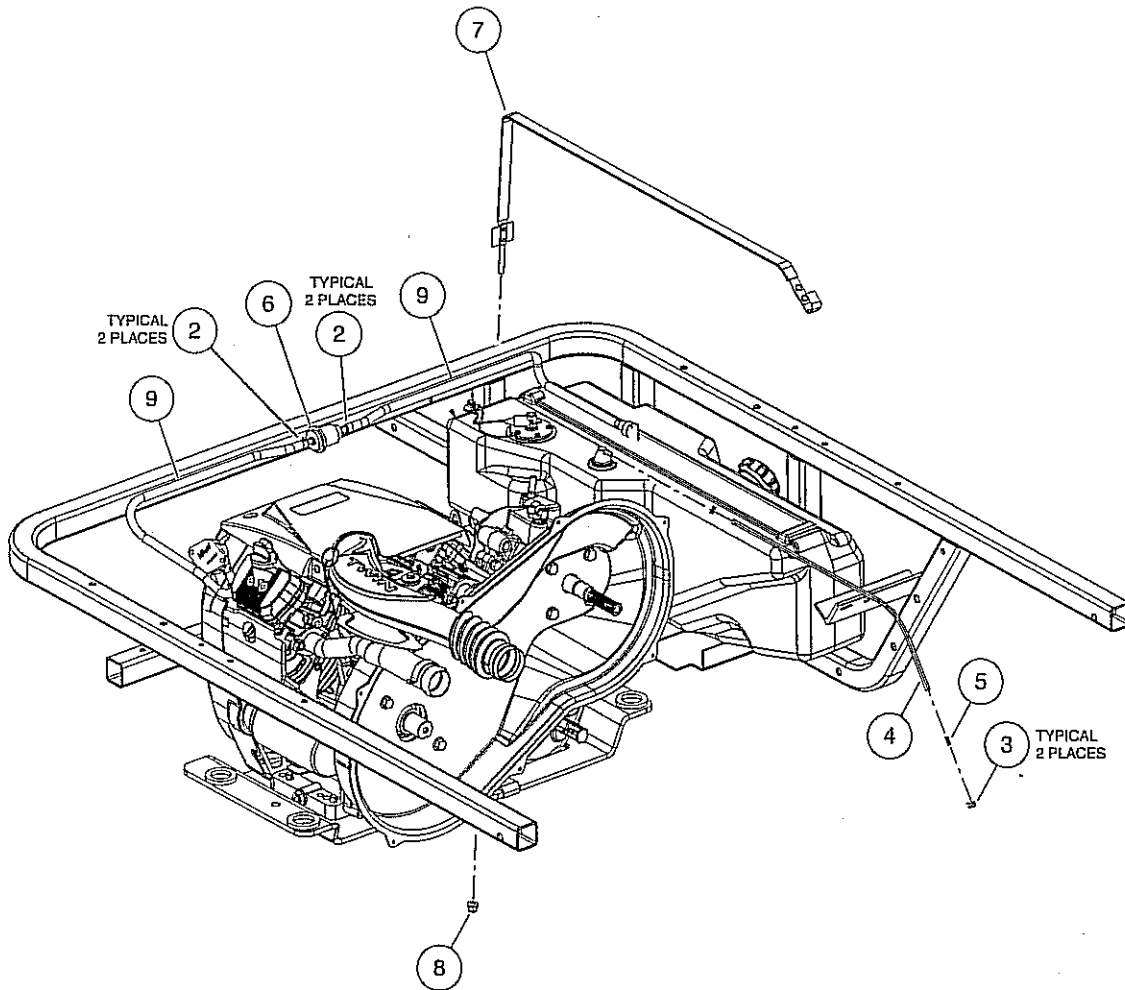
G

D

10

G

D



000672-001

FUEL SYSTEM – KAWASAKI GASOLINE VEHICLES

ITEM	PART NO.	DESCRIPTION	QTY
		1 2 3 4	
1	N/A	Instl, Fuel System, Fh680d (includes items 2 through 9)	1
2	603 00 01-49	Clamp, 0.460 Red Hose	4
3	603 00 01-85	Clamp, 0.301 ID Hose	2
4	603 00 04-65	Hose, Fuel, Vent, 22" Long	1
5	603 00 05-03	Vent Barb	1
6	603 00 00-08	Filter, Fuel, 30 Micron	1
7	603 00 10-00	Strap, Tank, Fuel	1
8	603 00 13-08	Lock Nut, Flg M8 X 1.25 Nylon	1
9	603 00 38-04	Hose, Tank To Filter, Fh680d	2

10

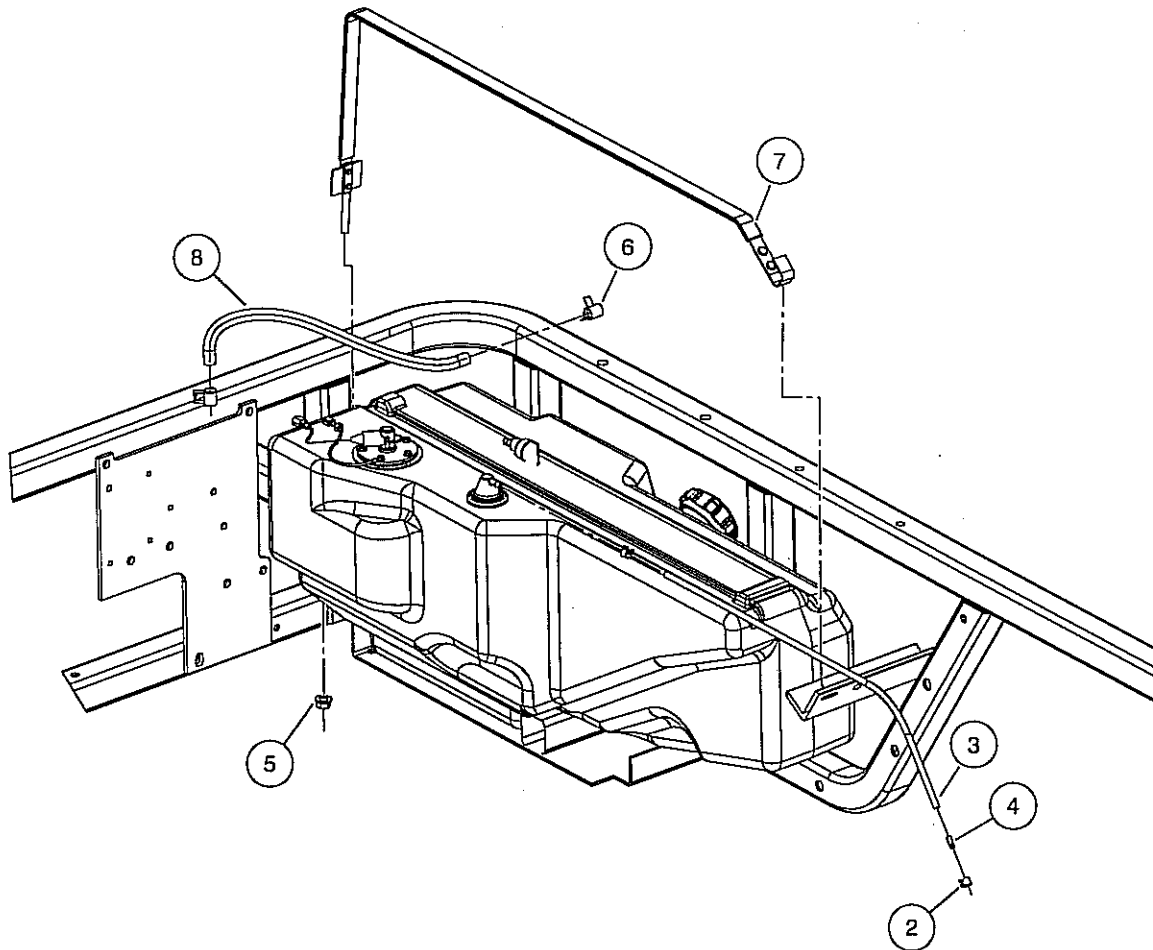
G

D

10

G

D



000081-004

FUEL SYSTEM – HONDA GASOLINE VEHICLES

ITEM	PART NO.	DESCRIPTION	QTY
		1 2 3 4	
1	N/A	Instl, Fuel System, Honda (includes items 2 through 8)	1
2	603 00 01-85	Clamp, 0.301 ID Hose	2
3	603 00 04-65	Hose, Fuel, Vent, 22" Long	1
4	603 00 05-03	Vent Barb	1
5	603 00 12-98	Nut,m8,all Metal Lock	1
6	603 00 09-68	Clamp, Hose, Ctb 13mm	2
7	603 00 10-00	Strap, Tank, Fuel	1
8	603 00 13-09	Hose, Tank To Filter, Gas	1

10

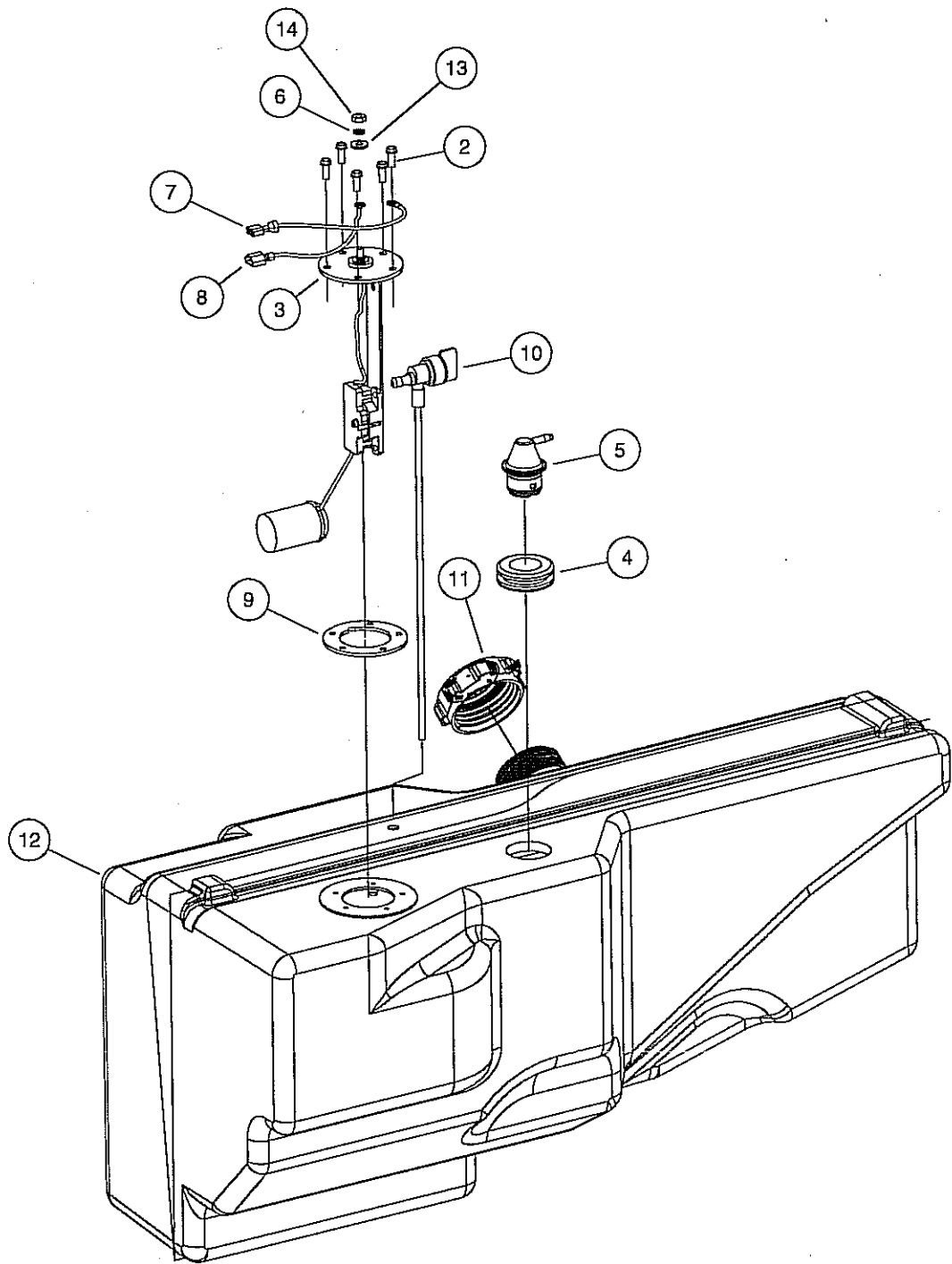
G

D

10

G

D



000082-004

FUEL TANK – GASOLINE VEHICLES

ITEM	PART NO.	DESCRIPTION	QTY
		1 2 3 4	
1	603 00 09-50	Asm, Tank, Fuel, Gas, 4x4 (includes items 2 through 14)	1
2	603 00 01-73	Screw, #10-16 Hex-Head Hi-Lo	5
3	603 00 01-74	Sending Unit, Fuel Level *	1
4	603 00 02-41	Insulation Grommet	1
5	603 00 02-42	Vent, Fuel Tank	1
6	603 00 00-61	Washer, #10 Split Lock	1
7	N/A	Wire Asm, Blk, 170mm	1
8	N/A	Wire Asm, Org, 170mm	1
9	603 00 30-57	Gasket, Rubber	1
10	603 00 15-88	Valve, Pickup Tube, Fuel	1
11	603 00 25-28	Cap, Fuel Tank, Gasoline	1
12	N/A	Tank, Fuel, Gas, 4x4	1
13	603 00 00-51	Washer, #10 Type A Flat	1
14	603 00 00-97	Nut, #10-32 Brass Hex	1
<p>* Note: Must replace fuel sending unit gasket when servicing this component.</p>			

10

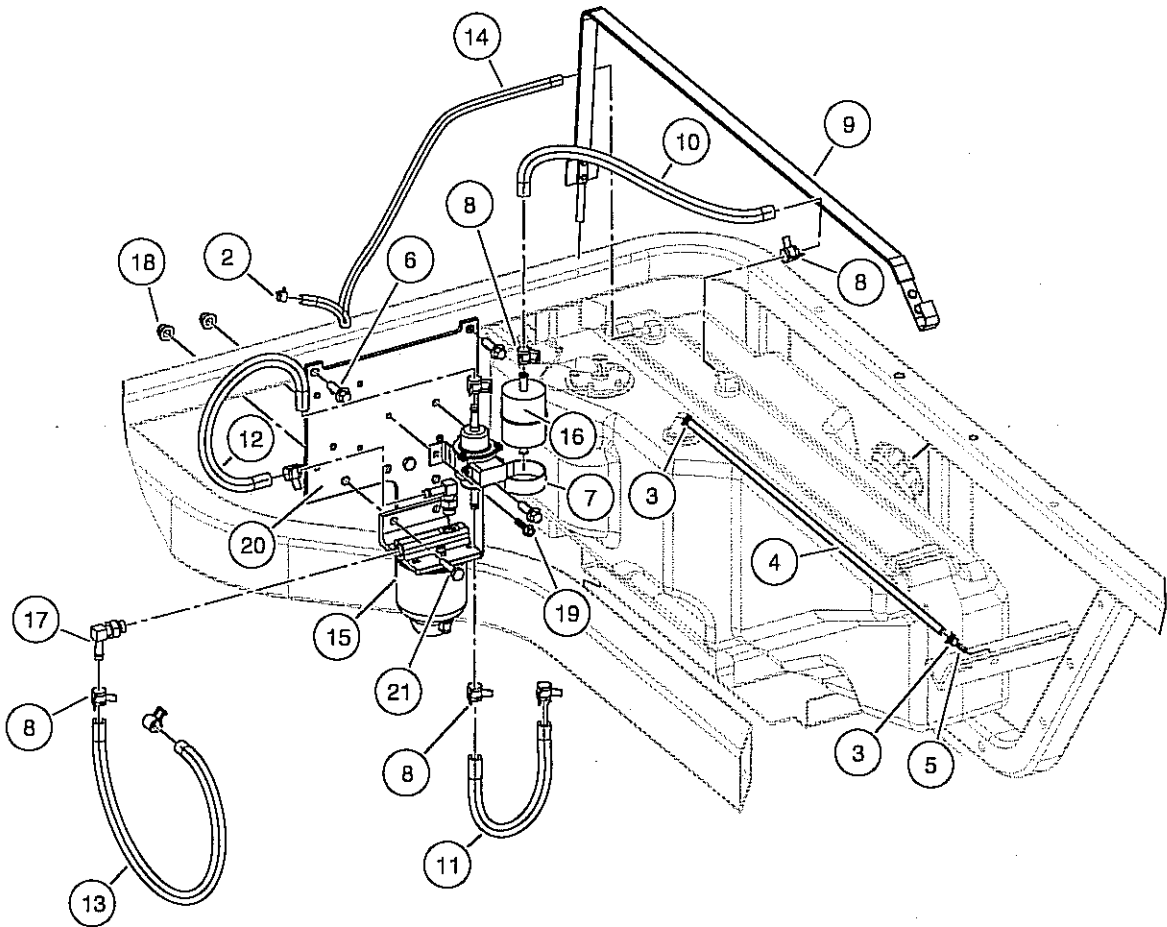
G

D

10

G

D



000081-003

FUEL SYSTEM – DIESEL

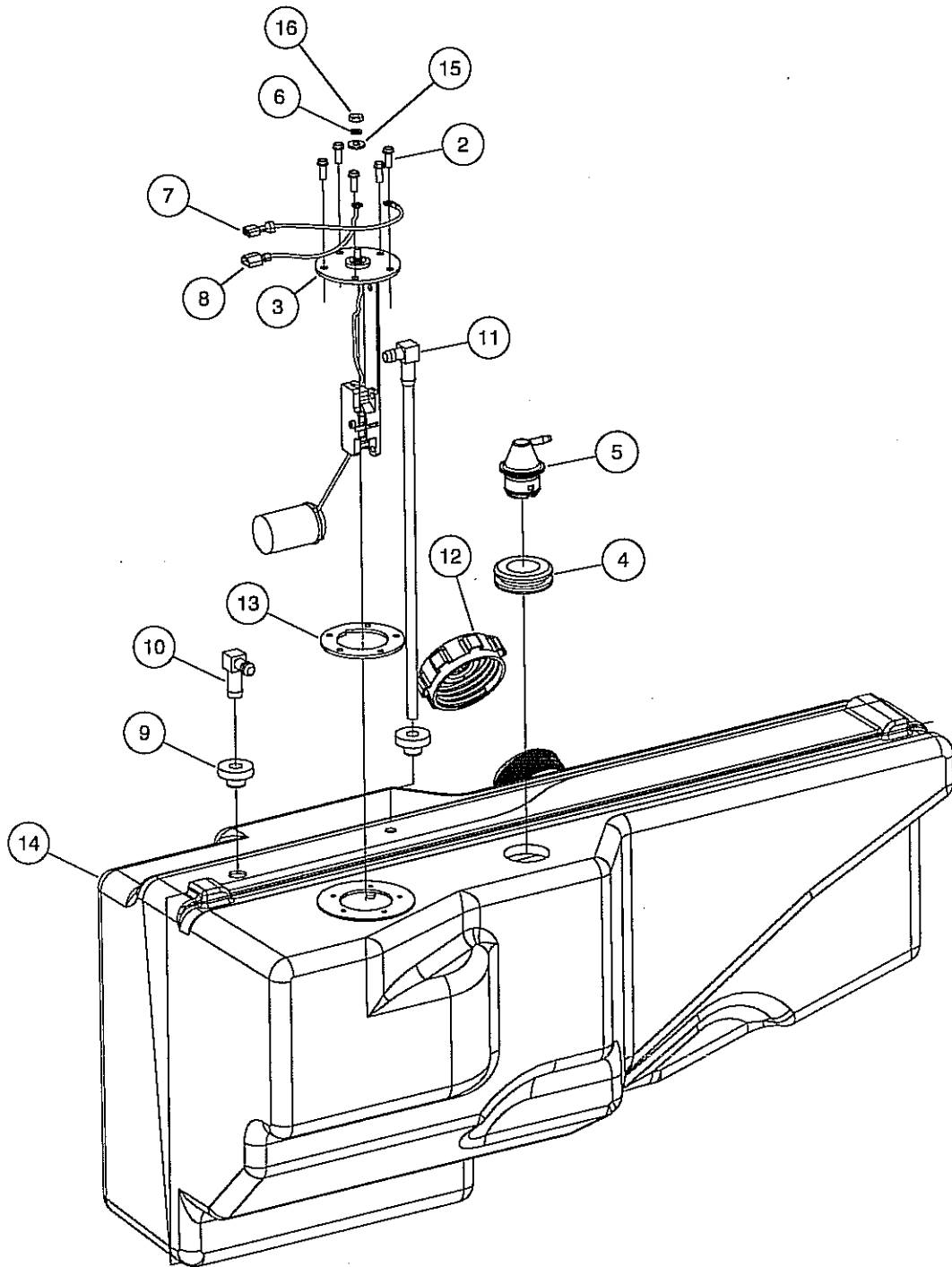
ITEM	PART NO.	DESCRIPTION	QTY
		1 2 3 4	
1	N/A	Asm, Fuel System, Kubota (includes items 2 through 21)	1
2	603 00 04-57	Clamp, Green Hose	1
3	603 00 01-85	Clamp, 0.301 ID Hose	2
4	603 00 04-65	Hose, Fuel, Vent, 22" Long	1
5	603 00 05-03	Vent Barb	1
6	603 00 08-69	Screw, M8X1.25X30, Hex	5
7	603 00 09-65	P-clamp, Insulated 1.75 In	1
8	603 00 09-69	Clamp, Hose, Ctb 14mm	6
9	603 00 10-00	Strap, Tank, Fuel	1
10	603 00 10-05	Hose, Tank To Prefilter Diesel	1
11	603 00 10-06	Hose, Fuel Prefilter To Pump	1
12	603 00 10-07	Hose, Fuel Pump To Filter	1
13	603 00 10-08	Hose, Fuel Filter To Eng	1
14	603 00 10-09	Hose, Fuel Return	1
15	603 00 16-80	Filter Assy, Fuel	1
16	603 00 00-42	Filter, Fuel	1
17	603 00 10-15	Adapter, 90, 5/16 Tube	2
18	603 00 13-08	Lock Nut, Flg M8 X 1.25 Nylon	3
19	603 00 15-87	Screw, M6 X 1 X 25 Thd Form	1
20	603 00 16-67	Plate, Fuel/Oil System	1
21	603 00 04-43	Bolt, M8 X 1.25 X 30	2

10
G
D

10

G

D



000082-005

FUEL TANK – DIESEL VEHICLES

ITEM	PART NO.	DESCRIPTION	QTY
		1 2 3 4	
1	603 00 09-49	Asm, Tank, Fuel, Dsl, 4x4 (includes items 2 through 16)	1
2	603 00 01-73	Screw, #10-16 Hex-Head Hi-Lo	5
3	603 00 01-74	Sending Unit, Fuel Level *	1
4	603 00 02-41	Insulation Grommet	1
5	603 00 02-42	Vent, Fuel Tank	1
6	603 00 00-61	Washer, #10 Split Lock	1
7	N/A	Wire Asm, Blk, 170mm	1
8	N/A	Wire Asm, Org, 170mm	1
9	603 00 09-51	Bushing, Line, Return	2
10	603 00 09-52	Elbow, 90 Barbed	1
11	603 00 11-52	Pickup Tube, Fuel	1
12	603 00 11-87	Cap, Fuel (Diesel)	1
13	603 00 30-57	Gasket, Rubber	1
14	N/A	Tank, Fuel, Dsl, 4x4	1
15	603 00 00-51	Washer, #10 Type A Flat	1
16	603 00 00-97	Nut, #10-32 Brass Hex	1
		* Note: Must replace fuel sending unit gasket when servicing this component.	

10

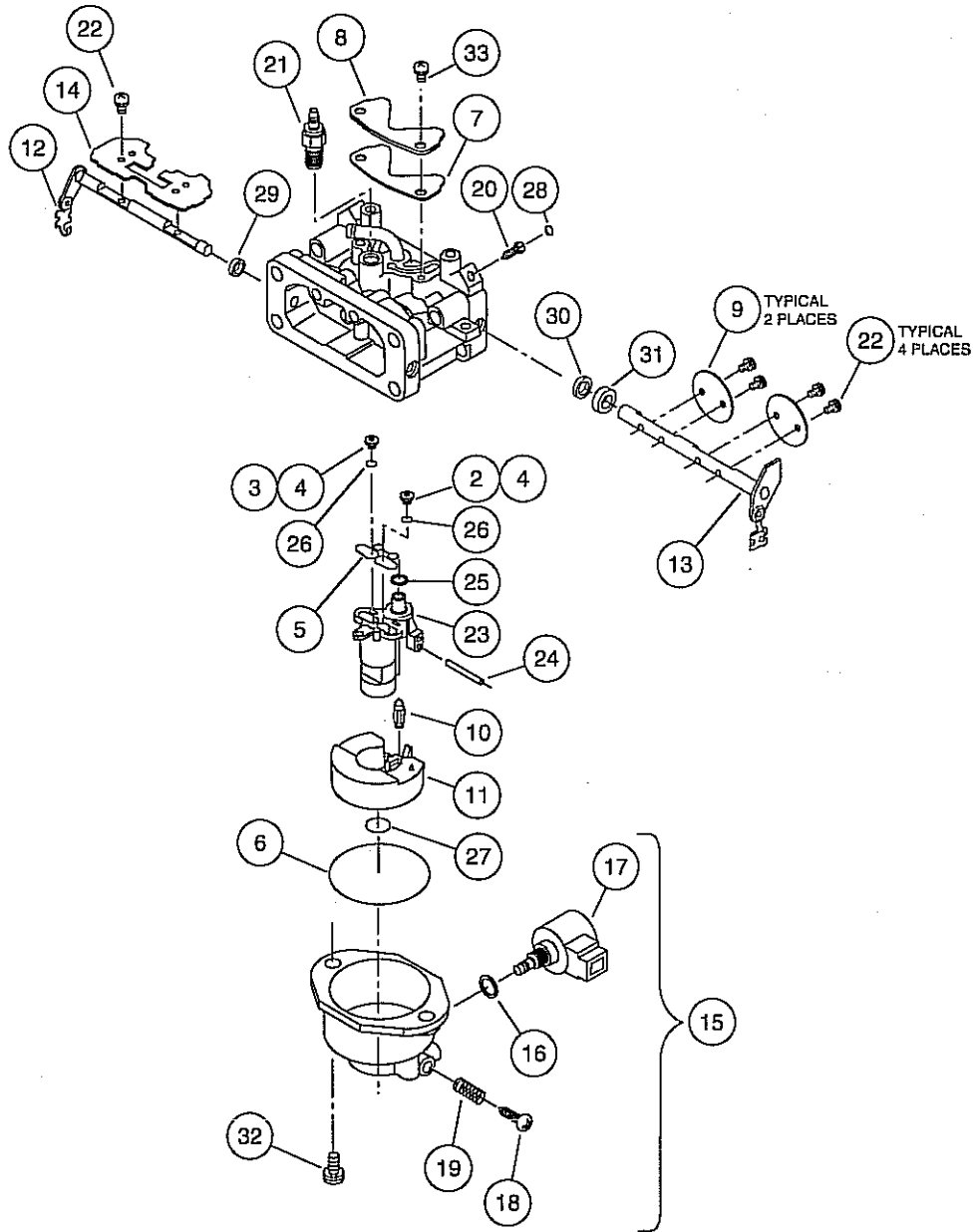
G

D

10

G

D



000673-001

CARBURETOR ASSEMBLY, KAWASAKI GASOLINE VEHICLES

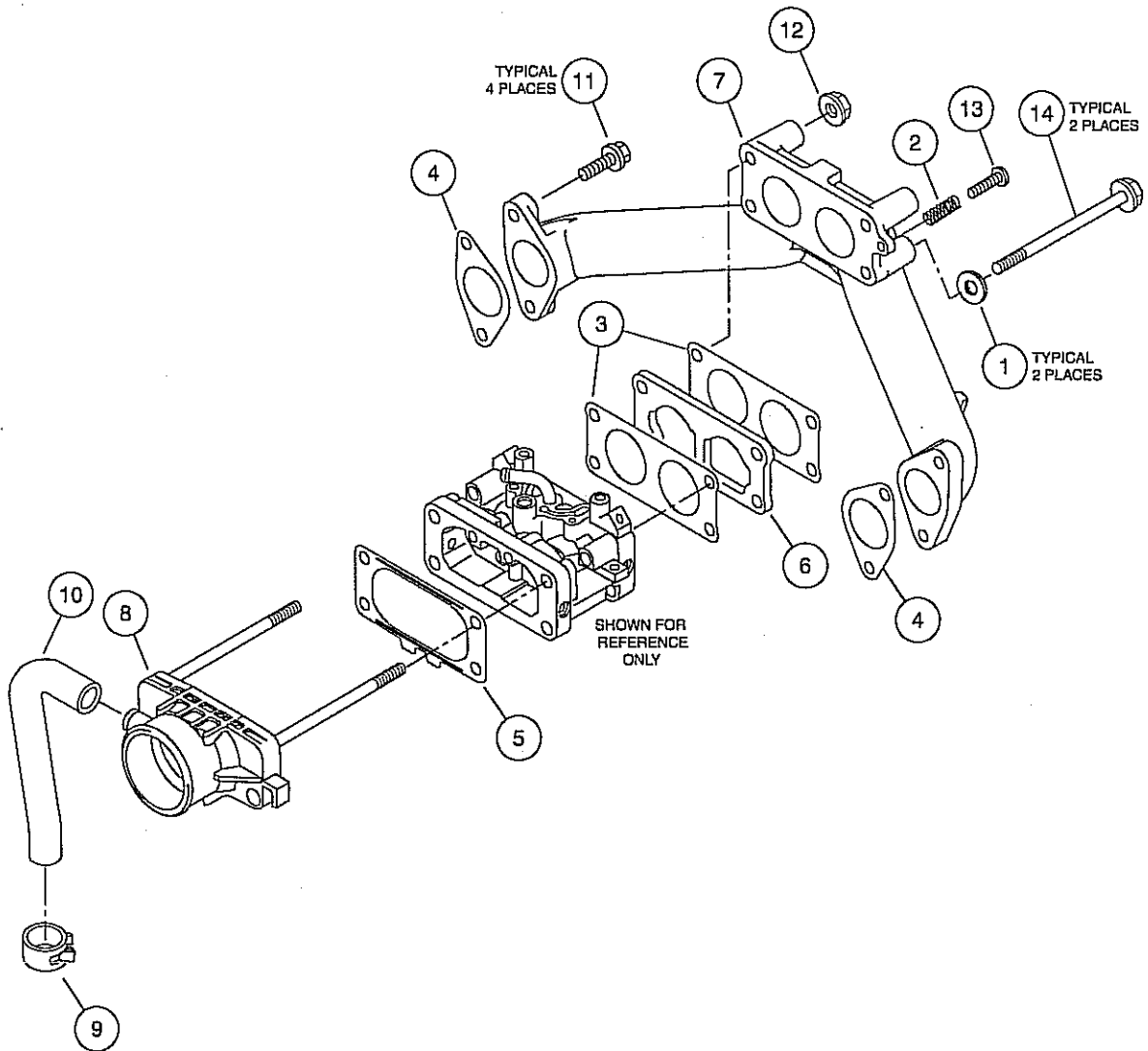
ITEM	PART NO.	DESCRIPTION	QTY
		1 2 3 4	
1	603 00 37-95	Assembly, Carburetor, FH680D (includes items 2 through 33)	1
2	603 00 38-07	Jet, Push In #96, Fh680d	A/R
3	603 00 38-06	Jet, Push In #99, Fh680d	A/R
4	603 00 38-05	Jet, Push In #102, Fh680d	2
5	603 00 37-99	Gasket, FH680D	1
6	603 00 37-98	Gasket, Carburetor, Dia. 52	1
7	603 00 37-97	Gasket, Cover, FH680D	1
8	603 00 37-96	Cover, Slow Passage, FH680D	1
9	603 00 37-94	Valve, Throttle, FH680D	2
10	603 00 37-93	Valve, Float, FH680D	1
11	603 00 37-92	Float, Carburetor, FH680D	1
12	603 00 37-91	Shaft, Carburetor, FH680D	1
13	603 00 37-90	Shaft, Carburetor, Throttle	1
14	603 00 37-89	Valve, Carburetor, FH680D	1
15	603 00 37-88	Assembly, Chamber, Float, FH680D (includes items 16 through 19)	1
16	603 00 38-00	Gasket, Carburetor, FH680D	1
17	603 00 37-86	Solenoid, Carburetor, FH680D	1
18	603 00 37-83	Screw, Drain, Carburetor	1
19	603 00 37-75	Spring, Carburetor, FH680D	1
20	603 00 37-87	Needle, Jet, FH680D	2
21	603 00 37-85	Heater, Carburetor, FH680D	1
22	603 00 37-84	Screw, Carburetor, M3 X 6	6
23	603 00 37-82	Spacer, Carburetor, FH680D	1
24	603 00 37-81	Pin, Carburetor, FH680D	1
25	603 00 37-80	O-Ring, Carburetor, Dia. 6.5	1
26	603 00 37-79	O-Ring, Carburetor, FH680D	2
27	603 00 37-78	O-Ring, Carburetor, Dia. 9	1
28	603 00 39-66	Plug, Expansion, Carburetor	2
29	603 00 37-77	Seal, Carburetor, Dia. 5.9	1
30	603 00 37-76	Seal, Carburetor, FH680D	1
31	603 00 37-74	Collar, Carburetor, FH680D	1
32	603 00 37-73	Screw, Carburetor, M5	2
33	603 00 37-72	Screw, Carburetor, M4	2

10
G
D

10

G

D



000673-002

CARBURETOR INSTALLATION – KAWASAKI GASOLINE VEHICLES

ITEM	PART NO.	DESCRIPTION	QTY
		1 2 3 4	
1	603 00 03-29	Washer, M6 Flat	2
2	603 00 38-55	Spring, Fh	1
3	603 00 38-53	Gasket, Carburetor, Fh	2
4	603 00 38-52	Gasket, Manifold, Fh	2
5	603 00 38-51	Gasket, Air Filter, Fh	1
6	603 00 38-50	Insulator, Manifold, Fh	1
7	603 00 38-49	Manifold, Intake, Fh	1
8	603 00 38-32	Pipe, Intake Adapter, Fh	1
9	603 00 38-31	Clamp, Crankcase Vent, Fh	1
10	603 00 38-30	Tube, Crankcase Vent, Fh	1
11	603 00 38-20	Bolt, Flanged, M6 X 20, Kaw	4
12	603 00 38-03	Nut, Carburetor, M6	2
13	603 00 38-02	Screw, Carburetor, M4 X 20	1
14	603 00 38-01	Bolt, Flg, Carburetor, M6x105	2

10

G

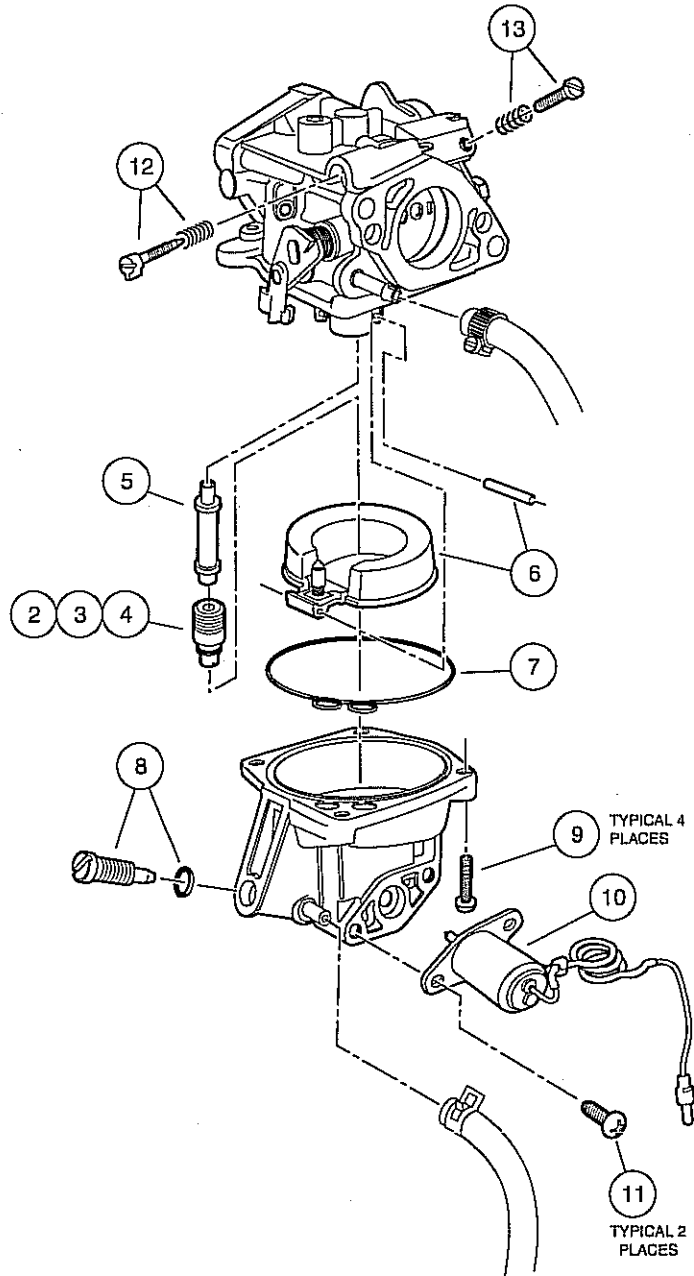
D

10

G

D

HONDA GASOLINE VEHICLE



000020-001

CARBURETOR ASSEMBLY, HONDA GASOLINE VEHICLES

ITEM	PART NO.	DESCRIPTION	QTY
		1 2 3 4	
1	603 00 14-61	Carburetor, Seal Shaft (includes items 2 through 13)	1
2	603 00 13-19	Jet, GX620, #102 (8000 ft. and higher (2438 m and higher))	1
3	603 00 13-20	Jet, GX620, #105 (5000-8000 ft. (1524-2438 m))	1
4	603 00 13-21	Jet, GX620, #108 (0-5000 ft. (0-1524 m))	1
5	603 00 14-63	Nozzle, Main	1
6	603 00 14-64	Float Set	1
7	603 00 14-65	Gasket Set	1
8	603 00 14-66	Screw Set, Drain	1
9	603 00 14-67	Screw-Washer, M4 X 14	4
10	603 00 14-68	Valve Assy., Solenoid	1
11	603 00 14-69	Screw-Washer, M5 X 12	2
12	603 00 16-88	Screw Set, Left	1
13	603 00 16-89	Screw Set, Right	1

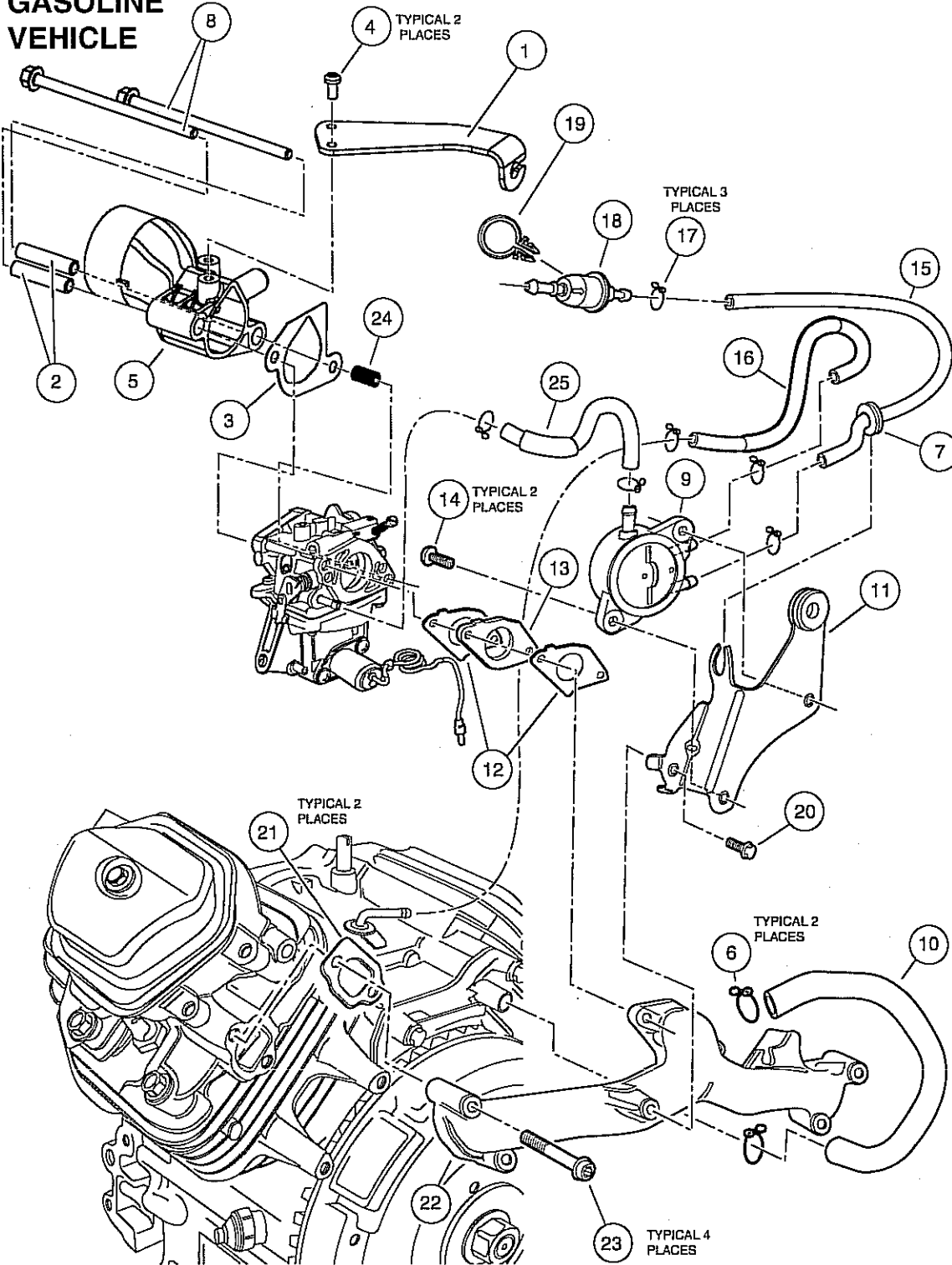
10
G
D

10

G

D

GASOLINE VEHICLE



000021-001

CARBURETOR INSTALLATION – HONDA GASOLINE VEHICLES

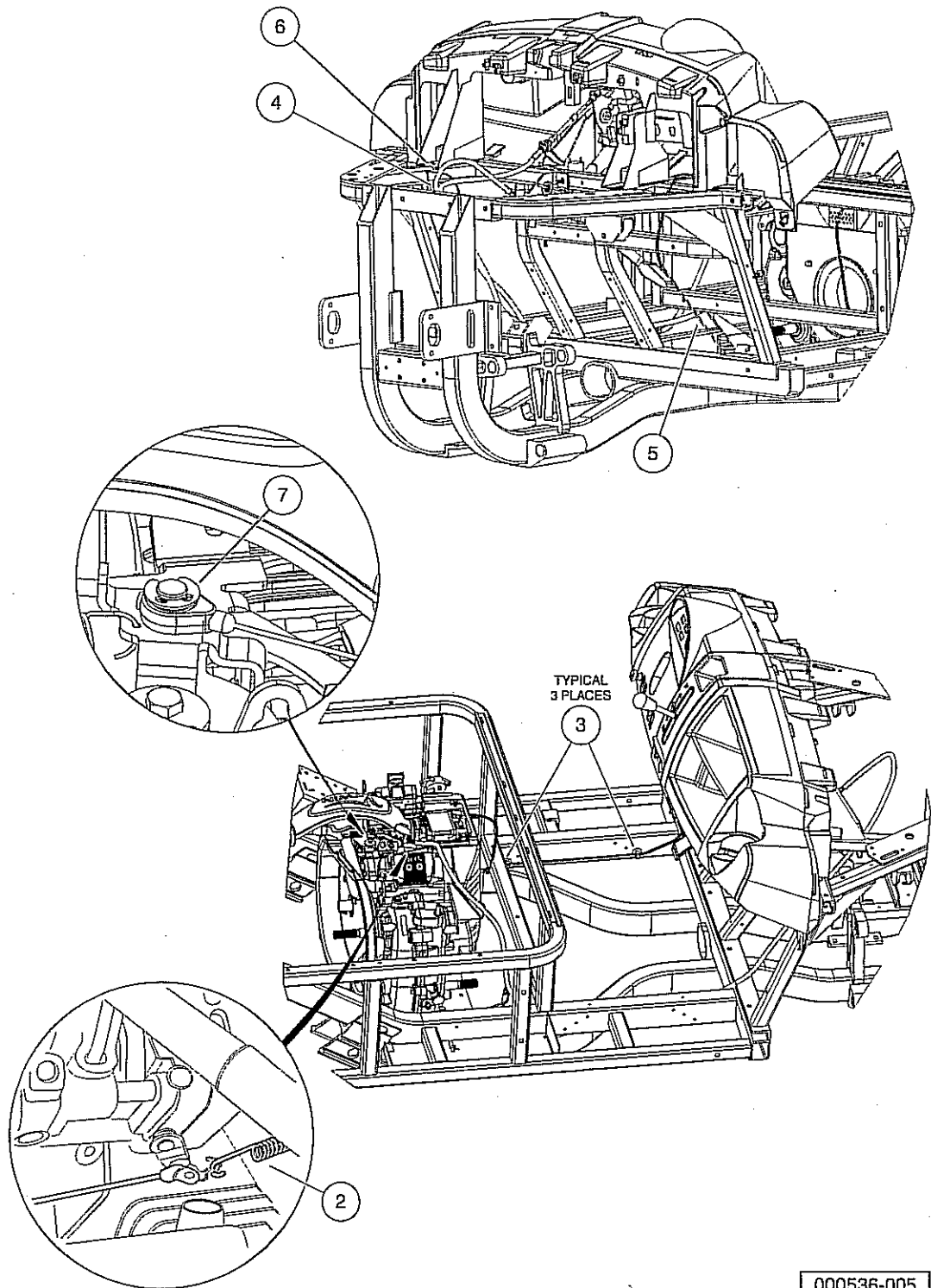
ITEM	PART NO.	DESCRIPTION	QTY
		1 2 3 4	
1	603 00 09-40	Bracket, Choke Cable	1
2	603 00 11-15	Insert, Adapter, Carburetor	2
3	603 00 11-82	Gasket, Adapter, Carburetor	1
4	603 00 13-01	Screw Tapping, M5 X 0.8x10	2
5	603 00 13-13	Adapter, Intake Honda GX620	1
6	603 00 14-70	Clip, Breather Tube	1
7	603 00 14-71	Grommet, Reserve Tank	1
8	603 00 14-72	Bolt, Flange Head, M6 X 1 X 120	2
9	603 00 14-73	Pump Assy., Fuel, Sup	1
10	603 00 14-74	Tube, Breather	1
11	603 00 14-75	Stay, Fuel Pump	1
12	603 00 14-76	Gasket, Carburetor	2
13	603 00 14-77	Insulator, Carburetor	1
14	603 00 14-78	Srew-Washer, M6 X 16	2
15	603 00 14-79	Tube B, Fuel	1
16	603 00 14-80	Tube, Diaphragm	1
17	603 00 14-81	Clip, Tube, B'10	3
18	603 00 00-37	Filter, Fuel	1
19	603 00 14-82	Clip, Wire Harness	1
20	603 00 14-83	Bolt, Flange Head, M6 X 11 X 4	2
21	603 00 14-84	Gasket, Intake Manifold	2
22	603 00 14-85	Manifold, In	1
23	603 00 14-86	Bolt, Socket, M8 X 1.25 X 45	4
24	603 00 16-68	Spring, Continuity, Solenoid	1
25	603 00 16-97	Tube A, Fuel	1

10
G
D

10

G

D



000536-005

CABLES – KAWASAKI GASOLINE VEHICLES

ITEM	PART NO.	DESCRIPTION	QTY
		1 2 3 4	
1	603 00 38-38	Instl, Cable, Awd, Fh680d (includes items 2 through 7)	1
2	603 00 10-94	Spring	1
3	603 00 11-43	Clip, Brake Line	4
4	603 00 38-37	Cable, Accel, Awd, Gas, Fh680d	1
5	603 00 38-36	Cable, Choke, Awd, Fh680d	1
6	603 00 29-63	Tie Wrap, 8" Nylon	1
7	603 00 39-63	Ring, Retaining	1

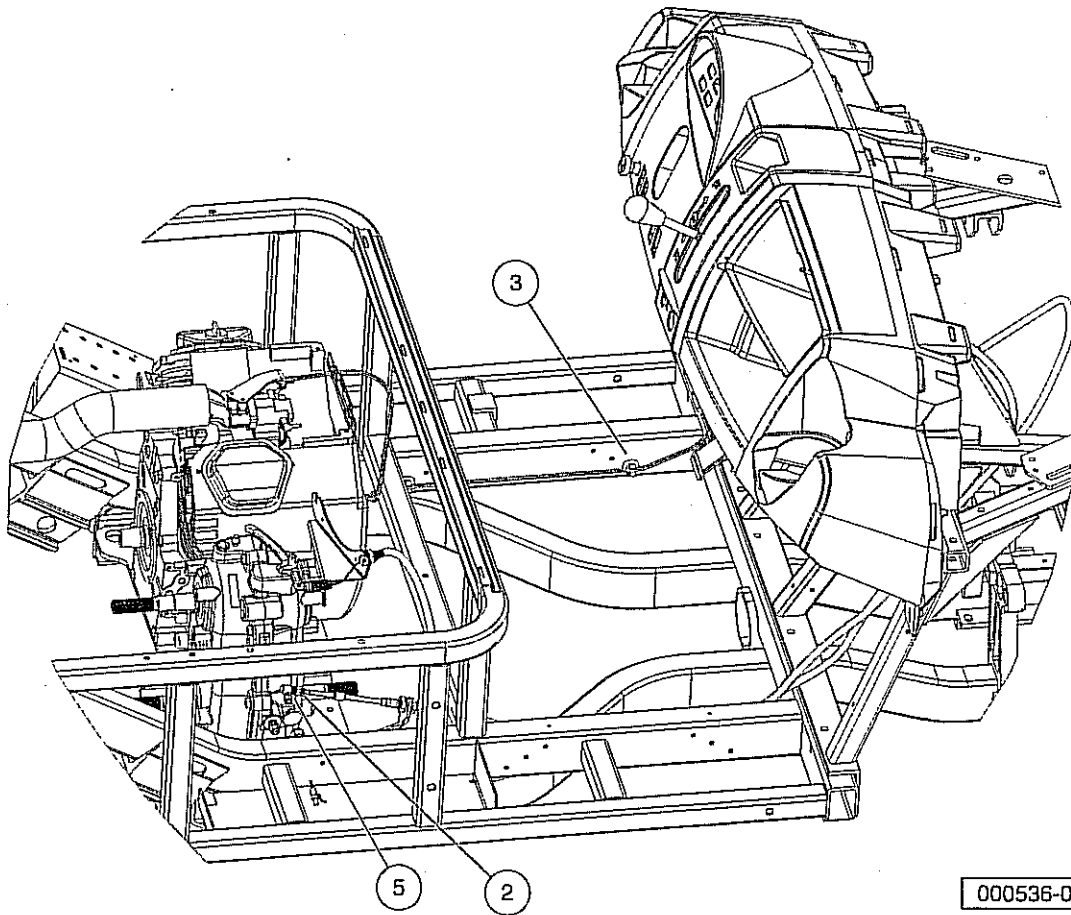
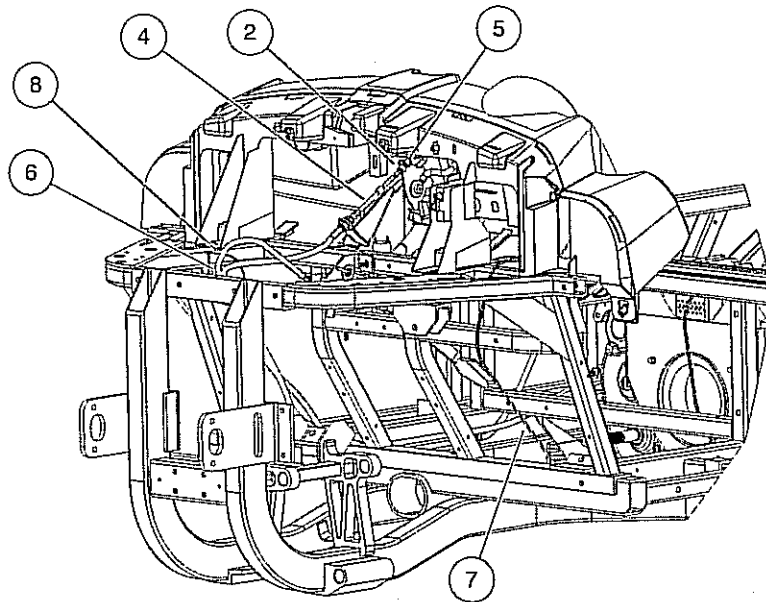
10

G

D

10
G

D



000536-001

CABLES – HONDA GASOLINE VEHICLE

ITEM	PART NO.	DESCRIPTION	QTY
		1 2 3 4	
1	N/A	Instl, Cables, Gas (includes items 2 through 8)	1
2	603 00 01-19	Nut, 1/4-28 Hex Jam	2
3	603 00 11-43	Clip, Brake Line	5
4	603 00 11-89	Cable, Transmission Shift	1
5	603 00 12-89	Joint, Ball, .346 Dia	2
6	603 00 35-58	Cable, Accelerator, AWD, Gas	1
7	531 30 81-72	Cable, Choke, AWD	1
8	603 00 29-63	Tie Wrap, 8" Nylon	1

10

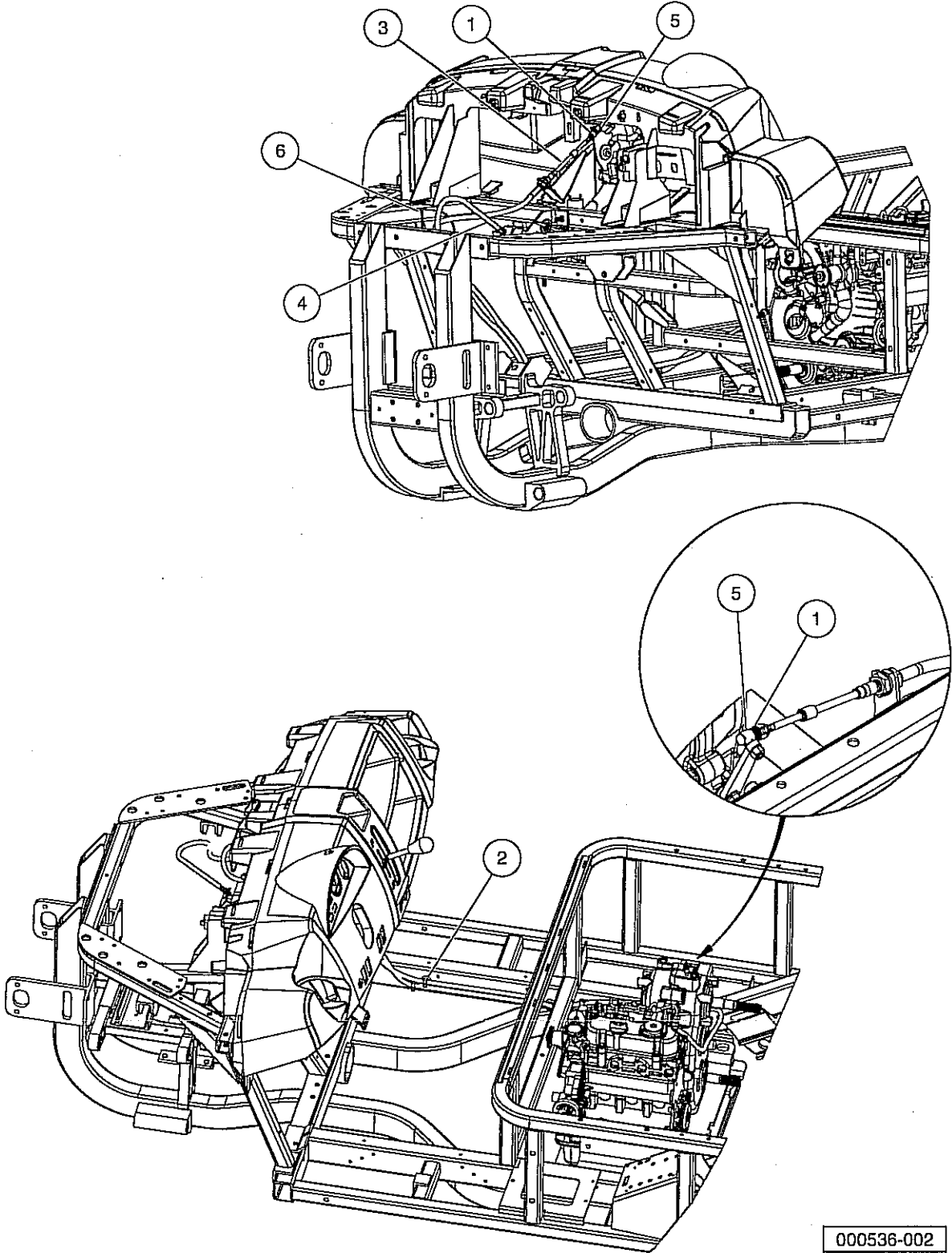
G

D

10

G

D



000536-002

CABLES – DIESEL VEHICLE

ITEM	PART NO.	DESCRIPTION	QTY
		1 2 3 4	
1	603 00 01-19	Nut, 1/4-28 Hex Jam	2
2	603 00 11-43	Clip, Brake Line	3
3	603 00 11-89	Cable, Transmission Shift	1
4	603 00 11-93	Cable, Accelerator, Diesel	1
5	603 00 12-89	Joint, Ball, .346 Dia	2
6	603 00 29-63	Tie Wrap, 8" Nylon	1

10

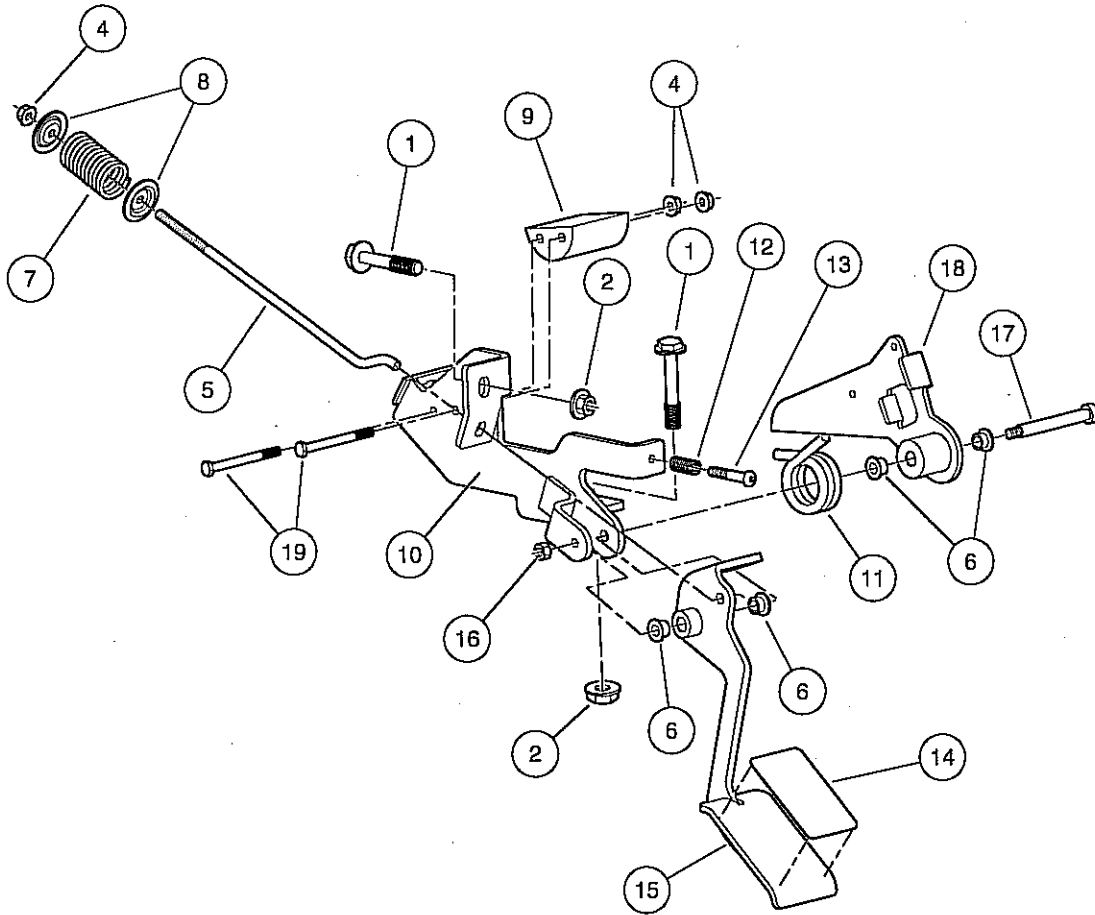
G

D

10

G

D



000026-002

ACCELERATOR PEDAL ASSEMBLY – STYLE A

ITEM	PART NO.	DESCRIPTION	QTY
		1 2 3 4	
1	603 00 13-06	Bolt Flanged Head, M8 X 1.25 X 65	2
2	603 00 13-08	Lock Nut, Flg M8 X 1.25 Nylon	2
3	603 00 38-34	Asm, Accelerator Pedal (includes items 4 through 19)	1
4	603 00 12-99	Nut-m6x1.0 Flng All Mtl Lock	3
5	N/A	Pullrod, Spring, Compression	1
6	603 00 10-55	Bushing, Greaseless	4
7	N/A	Spring, Comp, Pedal, Pullrod	1
8	N/A	Washer, Retaining Spring, 7mm	2
9	N/A	Guide, Cable, Accelerator	1
10	N/A	Weldment, Bracket, Pedal	1
11	N/A	Spring, Torsion	1
12	N/A	Spring, Stop, Pedal	1
13	N/A	Bolt, Stop, Pedal	1
14	603 00 11-54	Pad, Grip Tape, Accelerator	1
15	N/A	Weldment, Pedal, Accelerator	1
16	603 00 13-05	Nut M6x1 Mech Def Center	1
17	603 00 38-40	Bolt, Shoulder, M8 X 70, Hc	1
18	N/A	Weldment, Lever, Lost Motion	1
19	603 00 04-45	Bolt, M6 X 1 X 70	2

10

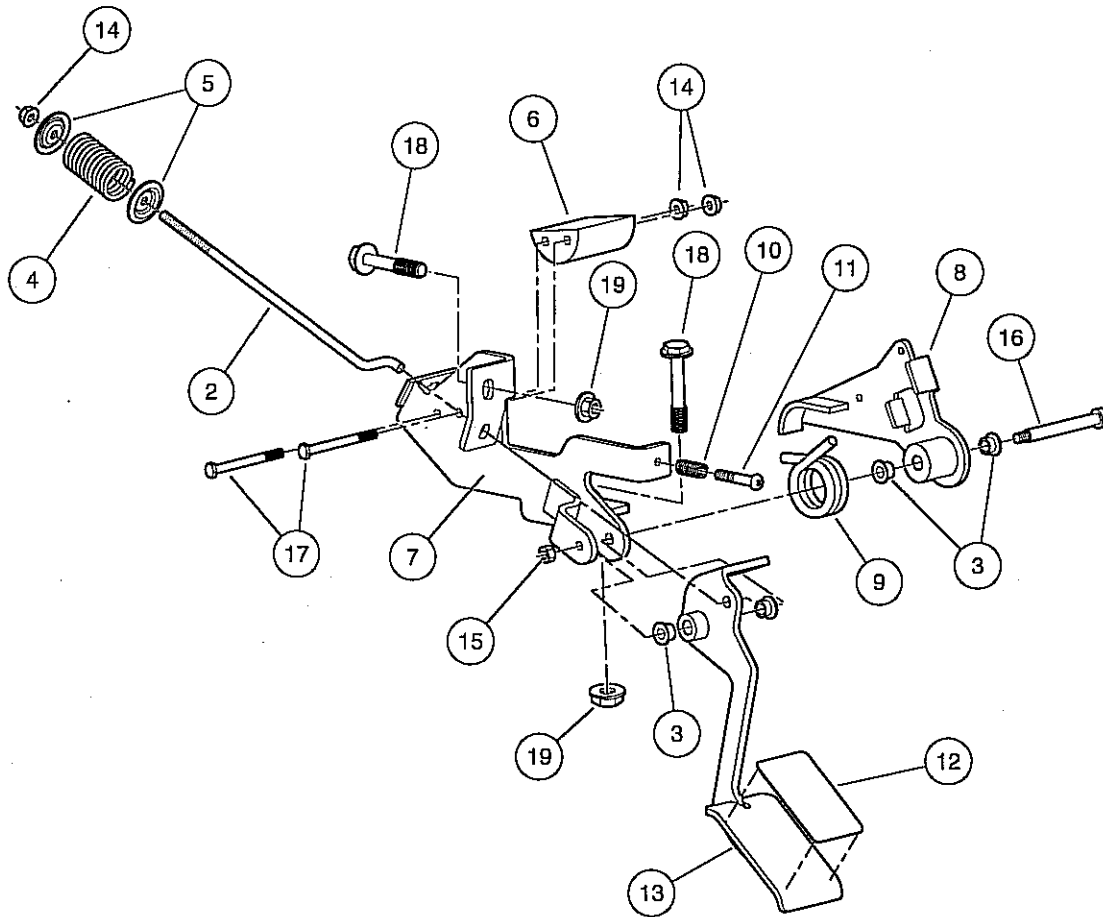
G

D

10

G

D



000026-001

ACCELERATOR PEDAL ASSEMBLY – STYLE B

ITEM	PART NO.	DESCRIPTION	QTY
		1 2 3 4	
1	603 00 11-63	Asm, Pedal, Accelerator (includes items 2 through 17)	1
2	N/A	Pullrod, Spring, Compression	1
3	603 00 10-55	Bushing, Greaseless	4
4	N/A	Spring, Comp, Pedal, Pullrod	1
5	N/A	Washer, Retaining Spring, 7mm	2
6	N/A	Guide, Cable, Accelerator	1
7	N/A	Weldment, Bracket, Pedal	1
8	N/A	Weldment, Lever, Motion, Lost	1
9	N/A	Spring, Torsion	1
10	N/A	Spring, Stop, Pedal	1
11	N/A	Bolt, Stop, Pedal	1
12	603 00 11-54	Pad, Grip Tape, Accelerator	1
13	N/A	Weldment, Pedal, Accelerator	1
14	603 00 35-99	Nut Flg, M6 X 1.0 Mech Def	3
15	603 00 13-05	Nut M6x1 Mech Def Center	1
16	603 00 38-40	Bolt, Shoulder, M8 X 70, Hc	1
17	603 00 04-45	Bolt, M6 X 1 X 70	2
18	603 00 13-06	Bolt Flanged Head, M8 X 1.25 X 65	2
19	603 00 13-08	Lock Nut, Flg M8 X 1.25 Nylon	2

10

G

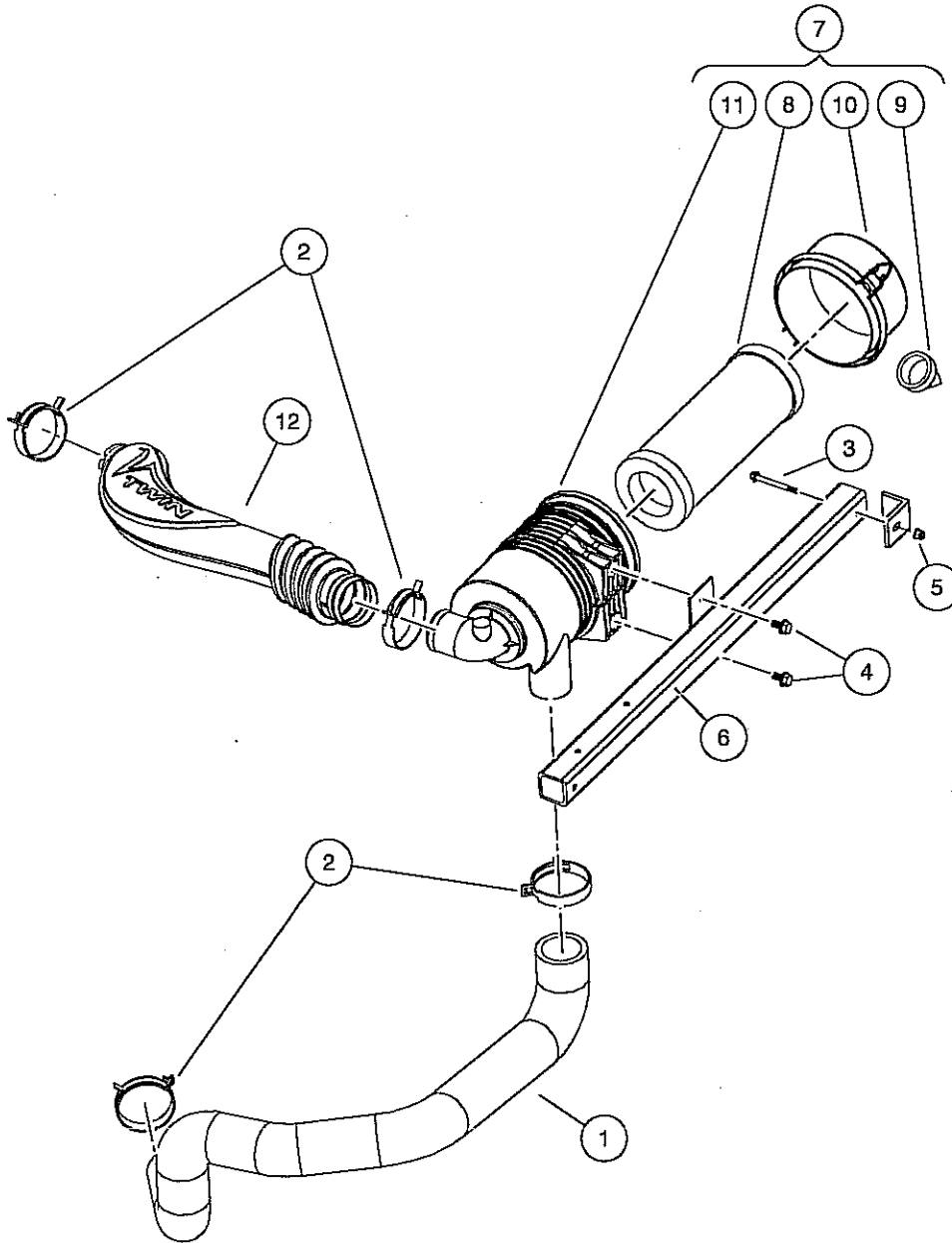
D

10

G

D

KAWASAKI GASOLINE VEHICLE



000090-004

INTAKE DUCT AND AIR BOX ASSEMBLY – KAWASAKI GASOLINE VEHICLES

ITEM	PART NO.	DESCRIPTION	QTY
		1 2 3 4	
1	603 00 09-43	Hose, Intake, Primary	1
2	603 00 09-76	Clamp, Hose, Clb 64mm	4
3	603 00 11-98	Bolt, M 6 X 1.0 X 65 Hex, Flange, Head, Black	2
4	603 00 13-15	Bolt Flanged Head, M8 X1.25x 16 with Loctite	2
5	603 00 13-17	Nut Flg, M6 X 1.0 Nylon	2
6	N/A	Weldment, Support, Air Cleaner	1
7	603 00 09-33	Filter, Air, Canister, W/labe (includes items 8 through 11)	1
8	603 00 00-10	Element, Filter, Air, 5 In	1
9	603 00 16-98	Valve, Evacuator, Filter Air	1
10	603 00 16-99	Cap, Latch Lock, Filter, Air	1
11	N/A	Body, Canister, Filter, Air	1
12	603 00 38-46	Hose, Intake, Fh680d	1

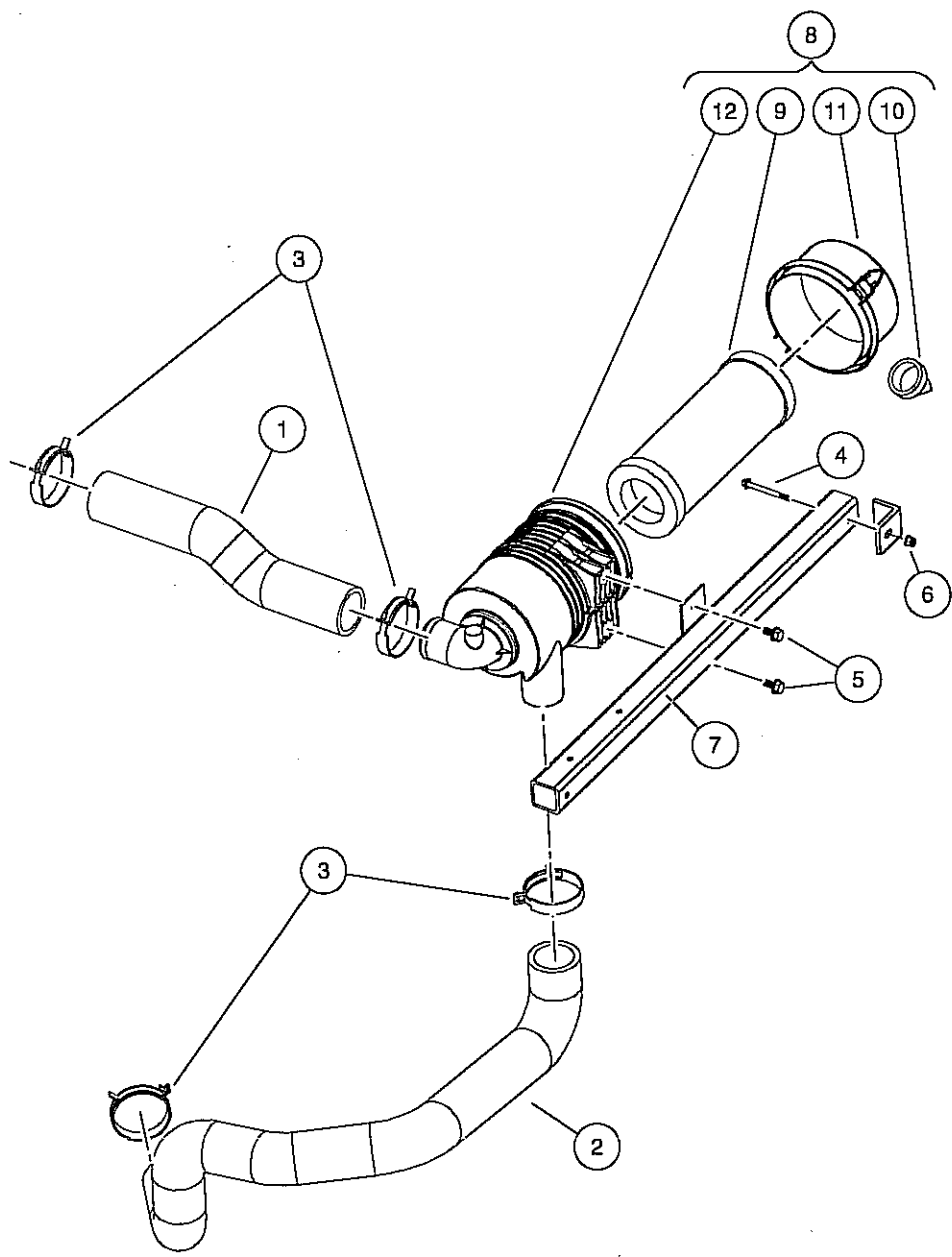
10
G
D

10

G

D

HONDA GASOLINE VEHICLE



000090-001

INTAKE DUCT AND AIR BOX ASSEMBLY – HONDA GASOLINE VEHICLES

ITEM	PART NO.	DESCRIPTION	QTY
		1 2 3 4	
1	603 00 09-31	Hose, Intake, GX620	1
2	603 00 09-43	Hose, Intake, Primary	1
3	603 00 09-76	Clamp, Hose, Ctb 64mm	4
4	603 00 11-98	Bolt, M 6 X 1.0 X 65 Hex, Flange, Head, Black	2
5	603 00 13-15	Bolt Flanged Head, M8 X1.25x 16 with Loctite	2
6	603 00 13-17	Nut Flg, M6 X 1.0 Nylon	2
7	N/A	Weldment, Support, Air Cleaner	1
8	603 00 09-33	Filter, Air, Canister, W/labe (includes items 9 through 12)	1
9	603 00 00-10	Element, Filter, Air, 5 In	1
10	603 00 16-98	Valve, Evacuator, Filter Air	1
11	603 00 16-99	Cap, Latch Lock, Filter, Air	1
12	N/A	Body, Canister, Filter, Air	1

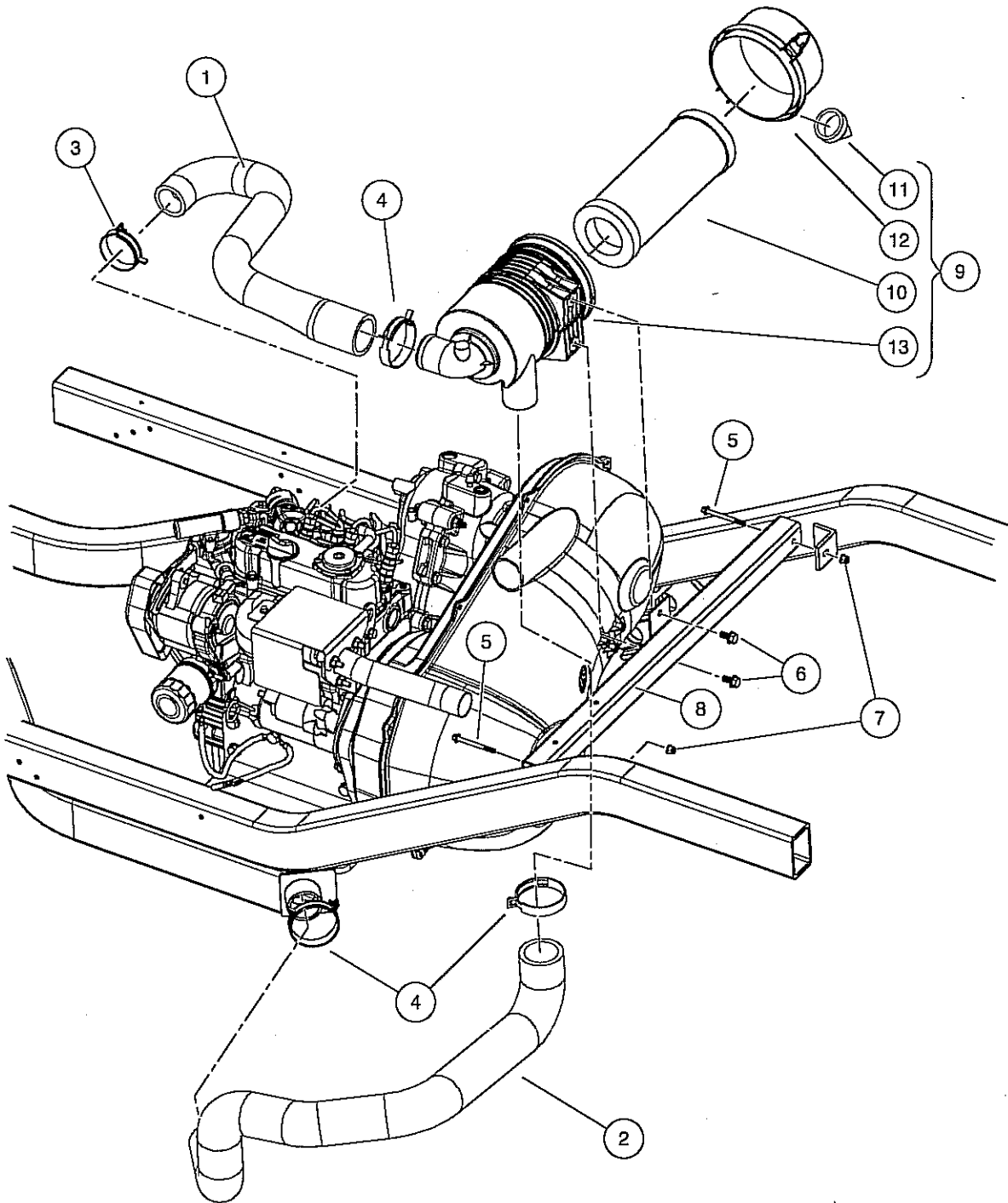
10
G
D

10

G

D

DIESEL VEHICLE



000090-002

INTAKE DUCT AND AIR BOX ASSEMBLY – DIESEL VEHICLES

ITEM	PART NO.	DESCRIPTION	QTY
		1 2 3 4	
1	603 00 09-32	Hose, Intake, D722	1
2	603 00 09-43	Hose, Intake, Primary	1
3	603 00 09-75	Clamp, Hose, Ctb 55mm	1
4	603 00 09-76	Clamp, Hose, Ctb 64mm	3
5	603 00 11-98	Bolt, M 6 X 1.0 X 65 Hex, Flange, Head, Black	2
6	603 00 13-15	Bolt Flanged Head, M8 X1.25x 16 with Loctite	2
7	603 00 13-17	Nut Fig, M6 X 1.0 Nylon	2
8	N/A	Weldment, Support, Air Cleaner	1
9	603 00 09-33	Filter, Air, Canister, W/labe (includes items 10 through 13)	1
10	603 00 00-10	Element, Filter, Air, 5 In	1
11	603 00 16-98	Valve, Evacuator, Filter Air	1
12	603 00 16-99	Cap, Latch Lock, Filter, Air	1
13	N/A	Body, Canister, Filter, Air	1

10

G

D

10

G

D