

EXHAUST SYSTEM

11

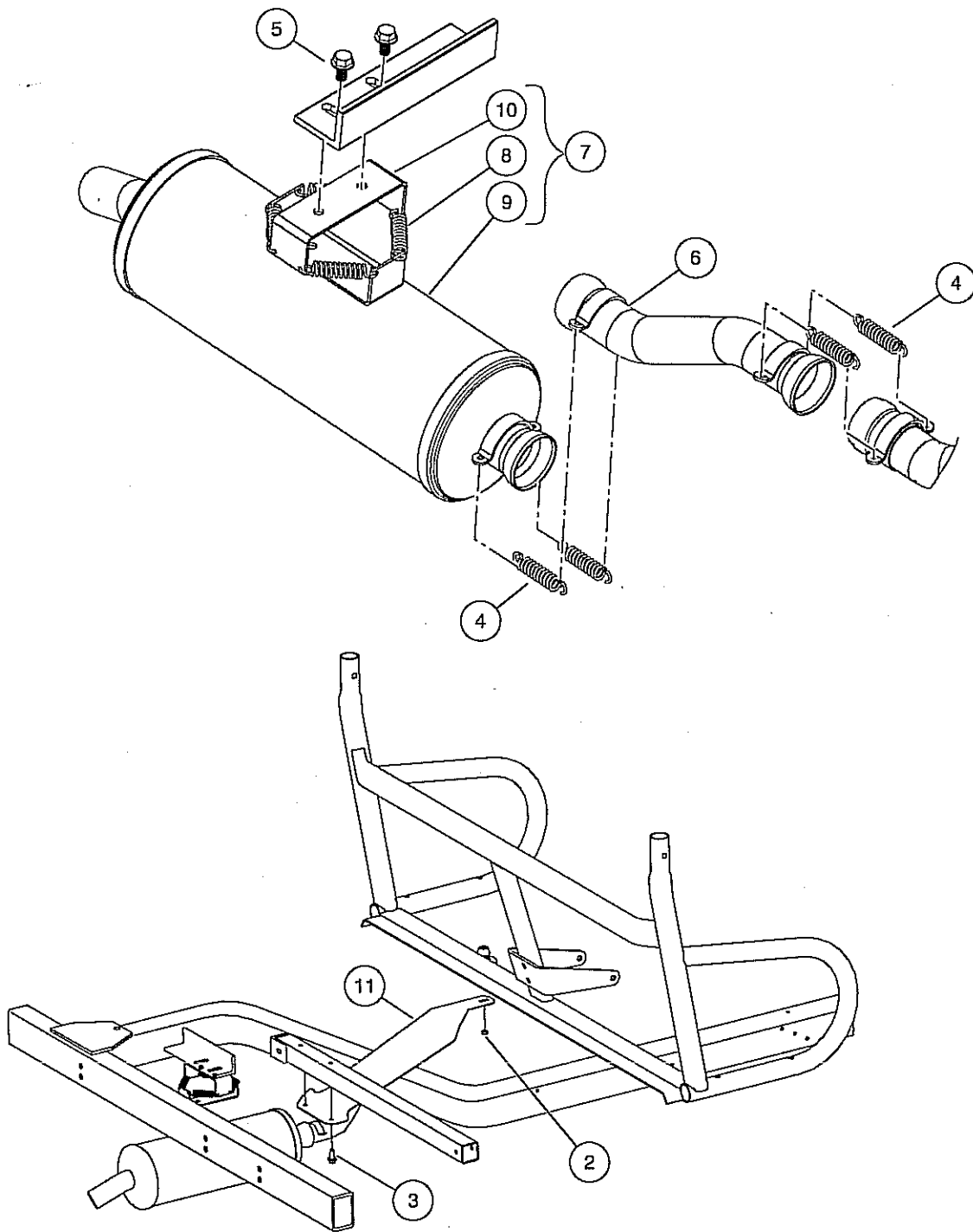
G

D

11

G

D



000538-001

EXHAUST SYSTEM

ITEM	PART NO.	DESCRIPTION	QTY
		1 2 3 4	
1	N/A	Instl, Exhaust, AWD (includes items 2 through 11)	1
2	603 00 05-58	Locknut, M6-1.00 Nylon Insert	1
3	603 00 35-59	M8-1.25x20 Taptite	2
4	603 00 09-60	Spring, Exhaust	4
5	603 00 13-15	Bolt Flanged Head, M8 X1.25x 16 with Loctite	2
6	531 30 83-88	Pipe, Exhaust, Int, Offset	1
7	603 00 29-47	Asm, Muffler, AWD Homologation (includes items 8 through 10)	1
8	603 00 09-60	Spring, Exhaust	4
9	N/A	Muffler	1
10	N/A	Bracket, Muffler	1
11	531 30 71-35	Shield, Exhaust, Clearance	1

11

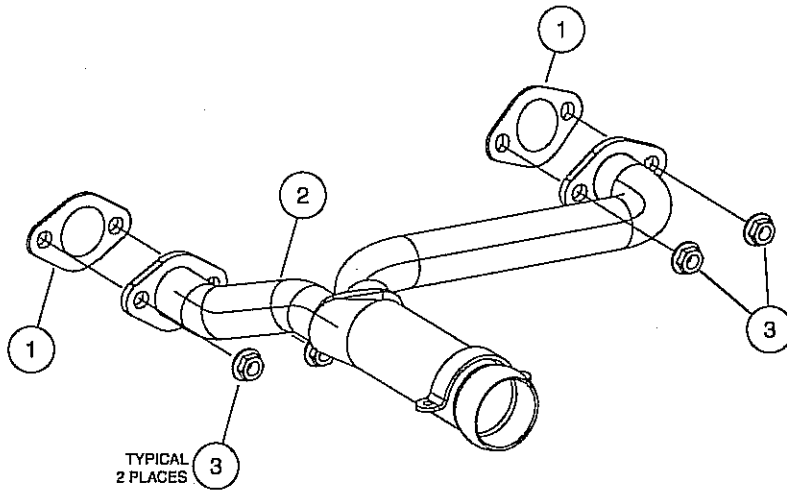
G

D

11

G

D



000538-004

EXHAUST HEADER – KAWASAKI GAS

ITEM	PART NO.	DESCRIPTION	QTY
		1 2 3 4	
1	603 00 39-56	Gasket, Exhaust Header, Fh680d	2
2	603 00 38-41	Header, Exhaust, Gas, Fh680d	1
3	603 00 05-12	Nut Flg, M8 X 1.25 Serrated	4

11

G

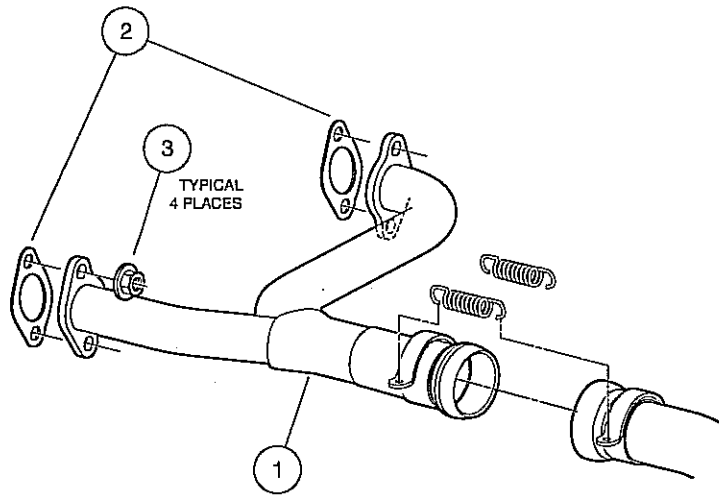
D

11

G

GASOLINE VEHICLE

D



000538-002

EXHAUST HEADER – HONDA GAS

ITEM	PART NO.	DESCRIPTION	QTY
		1 2 3 4	
1	603 00 09-61	Header, Exhaust, Gas	1
2	603 00 36-00	Gasket, Exhaust, Gas	2
3	603 00 05-12	Nut Flg, M8 X 1.25 Serrated	4

11

G

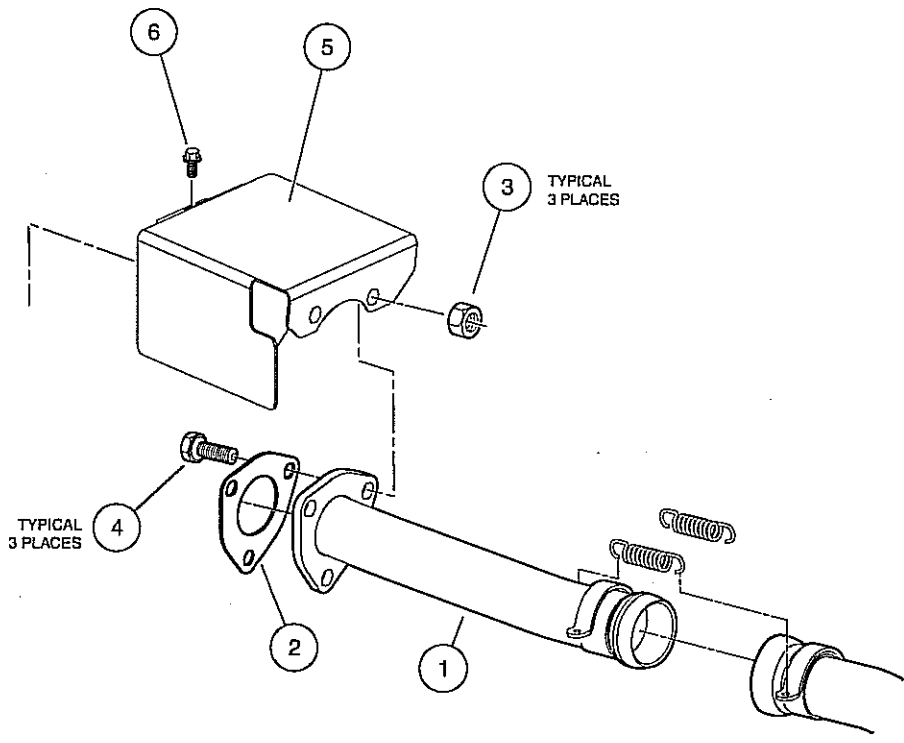
D

11

G

DIESEL VEHICLE

D



000538-003

EXHAUST PIPES – DIESEL VEHICLES

ITEM	PART NO.	DESCRIPTION	QTY
		1 2 3 4	
1	603 00 09-58	Pipe, Exhaust Diesel Main	1
2	603 00 09-96	Gasket, Exhaust Diesel	1
3	603 00 35-92	Nut Flg, M8 X 1.25 Mech Def	3
4	603 00 13-16	Bolt, M8 X 1.25 X 40 with Loctite	3
5	603 00 13-24	Shield, Diesel Exhaust	1
6	603 00 17-53	Bolt, D722, Exhst Manfld Cover	1

11

G

D

11

G

D

CLUTCHES

12

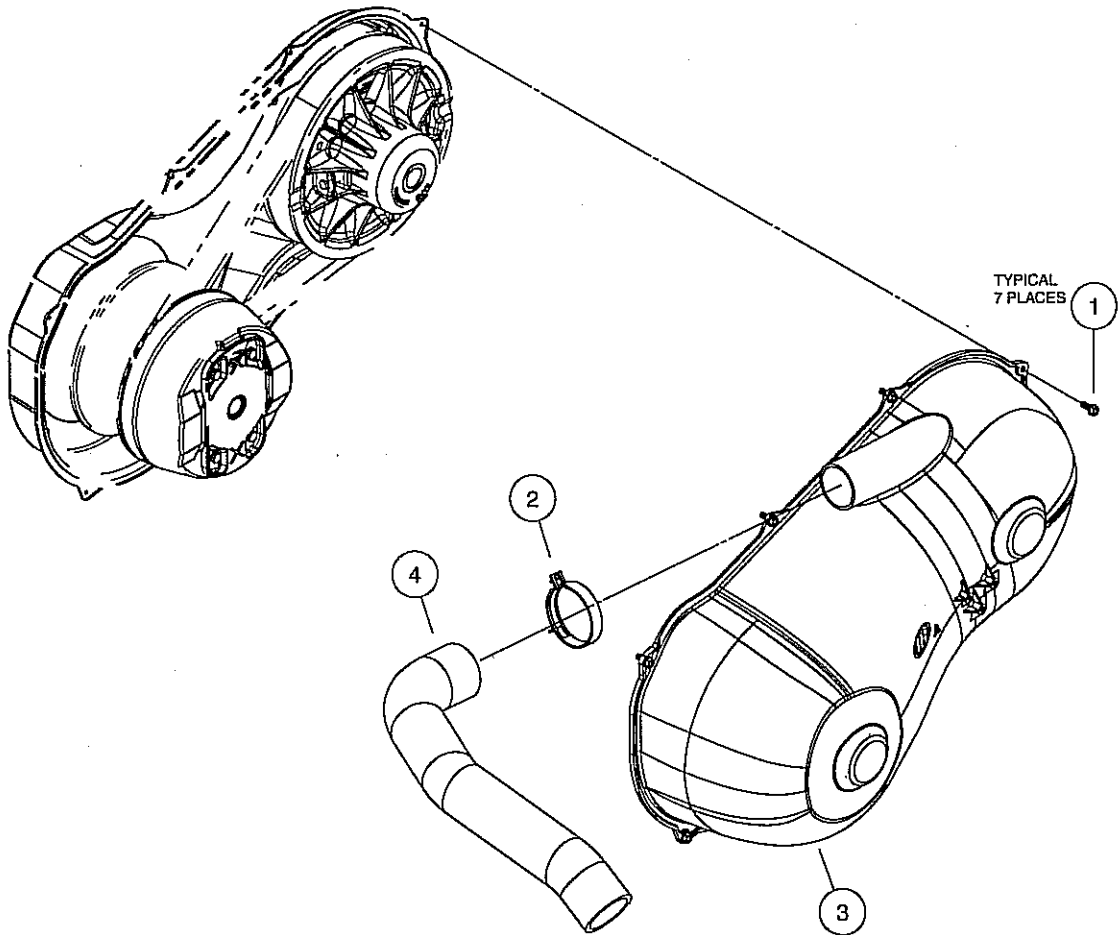
G

D

12

G

D



000008-002

CLUTCH COVER (STANDARD)

ITEM	PART NO.	DESCRIPTION	QTY
		1 2 3 4	
1	603 00 08-74	Screw, M6 X 16 Tt Hx Fl Hd	7
2	603 00 09-76	Clamp, Hose, Ctb 64mm	1
3	603 00 09-83	Cover, CVT Outer	1
4	603 00 11-57	Hose, Outlet, Cover, CVT	1

12

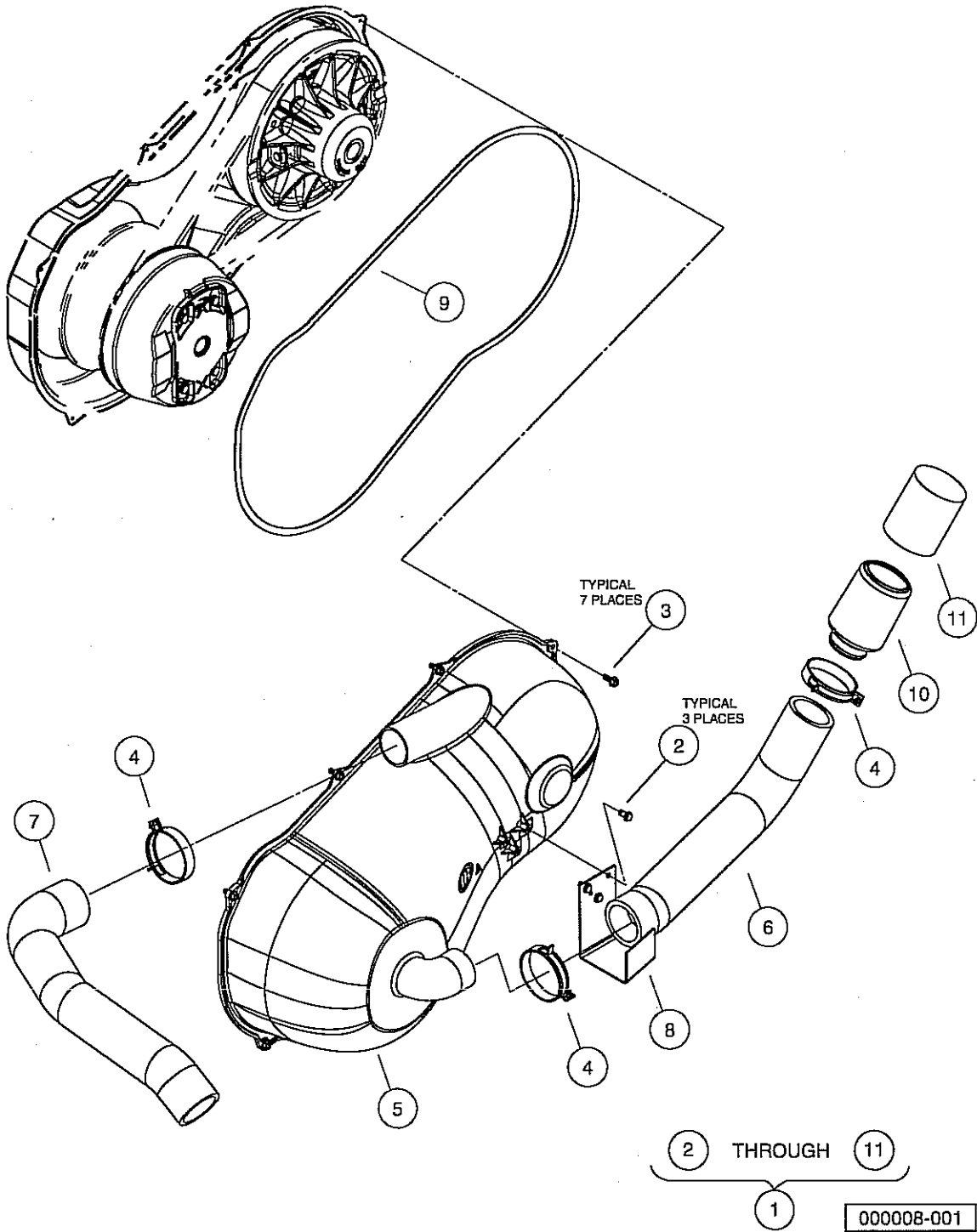
G

D

12

G

D



CLUTCH COVER (SEALED)

ITEM	PART NO.	DESCRIPTION	QTY
		1 2 3 4	
1	531 30 07-38	Kit, Sealed CVT Cover (includes items 2 through 11)	1
2	603 00 36-01	Screw, 1/4-15 X .50 Hi-lo Hex	3
3	603 00 08-74	Screw, M6 X 16 Tt Hx FI Hd	7
4	603 00 09-76	Clamp, Hose, Clb 64mm	3
5	603 00 09-83	Cover, CVT Outer	1
6	603 00 11-56	Hose, Inlet, Cover, CVT	1
7	603 00 11-57	Hose, Outlet, Cover, CVT	1
8	603 00 11-58	Bracket, Inlet, Cover, CVT	1
9	603 00 11-59	Gasket, Cover, CVT	1
10	603 00 12-91	Cap, Inlet, Cover, CVT	1
11	603 00 13-23	Filter, Inlet, Cover, CVT	1

12

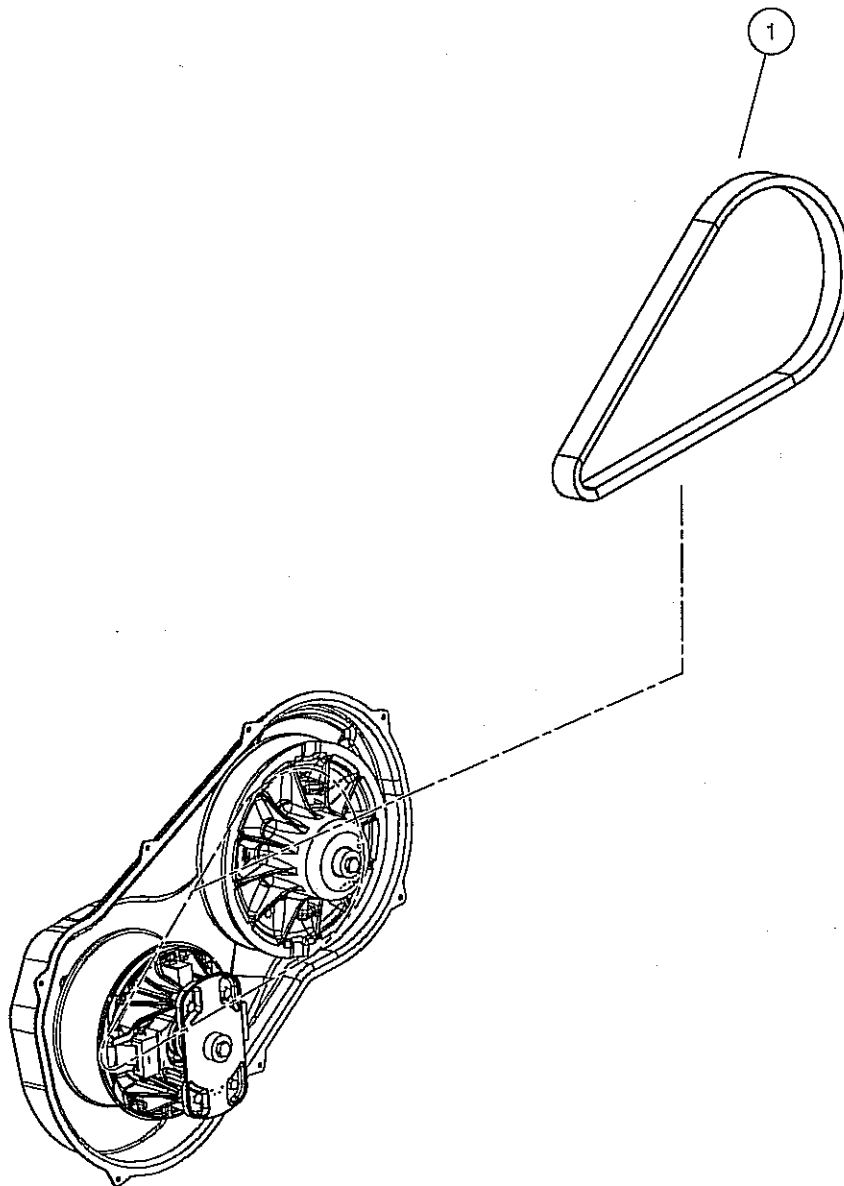
G

D

12

G

D



000084-001

DRIVE BELT

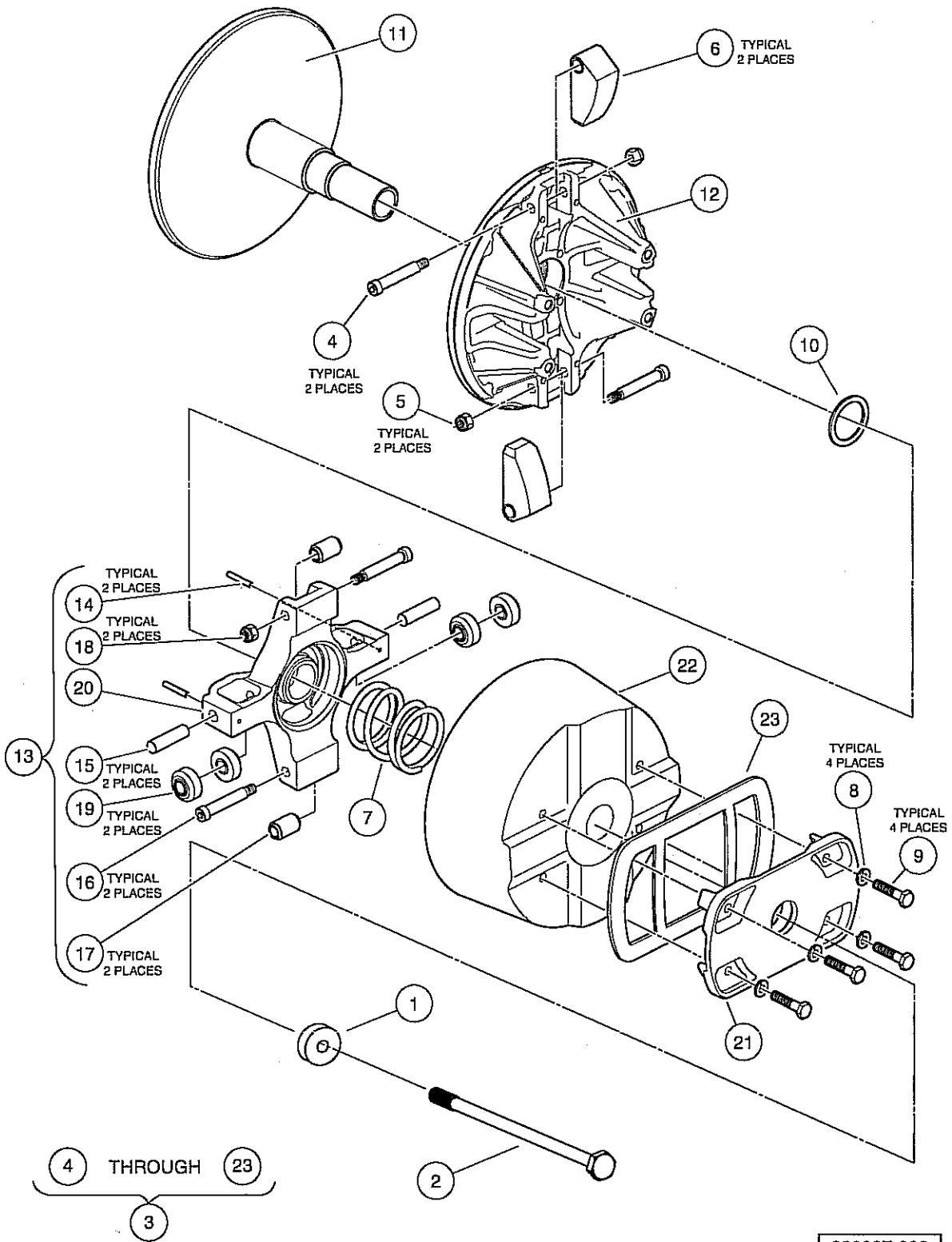
ITEM	PART NO.	DESCRIPTION	QTY
1	603 00 09-18	1 2 3 4 Belt, Drive	1

12
G
D

12

G

D



000007-003

DRIVE CLUTCH – HONDA GASOLINE VEHICLES

ITEM	PART NO.	DESCRIPTION	QTY
		1 2 3 4	
1	603 00 09-38	Washer, Stepped	1
2	603 00 11-64	Bolt, M10x1.25x200 Loctite	1
3	603 00 09-82	Clutch, 4x4, Gas, W/cover (includes items 4 through 23)	1
4	603 00 16-11	Screw, Shlder Hex, .312 X 1.75	2
5	603 00 16-13	Nut, Lock Hex, 1/14-20, Flexlc	2
6	603 00 16-15	Sub Assy, Wt Clutch, Gas	2
7	603 00 16-16	Spring, Compression, Primary	1
8	603 00 16-17	Washer, Lock, H-Spring, 1/4	4
9	603 00 16-18	Screw, Cap, Hex Hd, 1/4 X 1.25	4
10	603 00 16-19	Shim, 1.63 X 1.33	A/R
11	N/A	Subassembly, Drive Clutch	1
12	N/A	Subassembly, Moveable, Drive Clutch	1
13	N/A	Spider Subassembly (Gasoline) (includes items 14 through 20)	1
14	603 00 16-08	Pin, Spring Slotted, 1.25 X 1.0	2
15	603 00 16-09	Pin, Dowel, .375 X 1.50	2
16	603 00 16-11	Screw, Shlder Hex, .312 X 1.75	2
17	603 00 36-02	Sub Assy, Roller Weight	2
18	603 00 16-13	Nut, Lock Hex, 1/14-20, Flexlc	2
19	603 00 16-20	Roller, Torque, Gas	4
20	N/A	Spider, Drive Clutch	1
21	N/A	Cover, Drive Clutch	1
22	531 30 81-40	Cover, Clutch, 4x4	1
23	531 30 81-39	Gasket, Cover, Clutch, 4x4	1

12

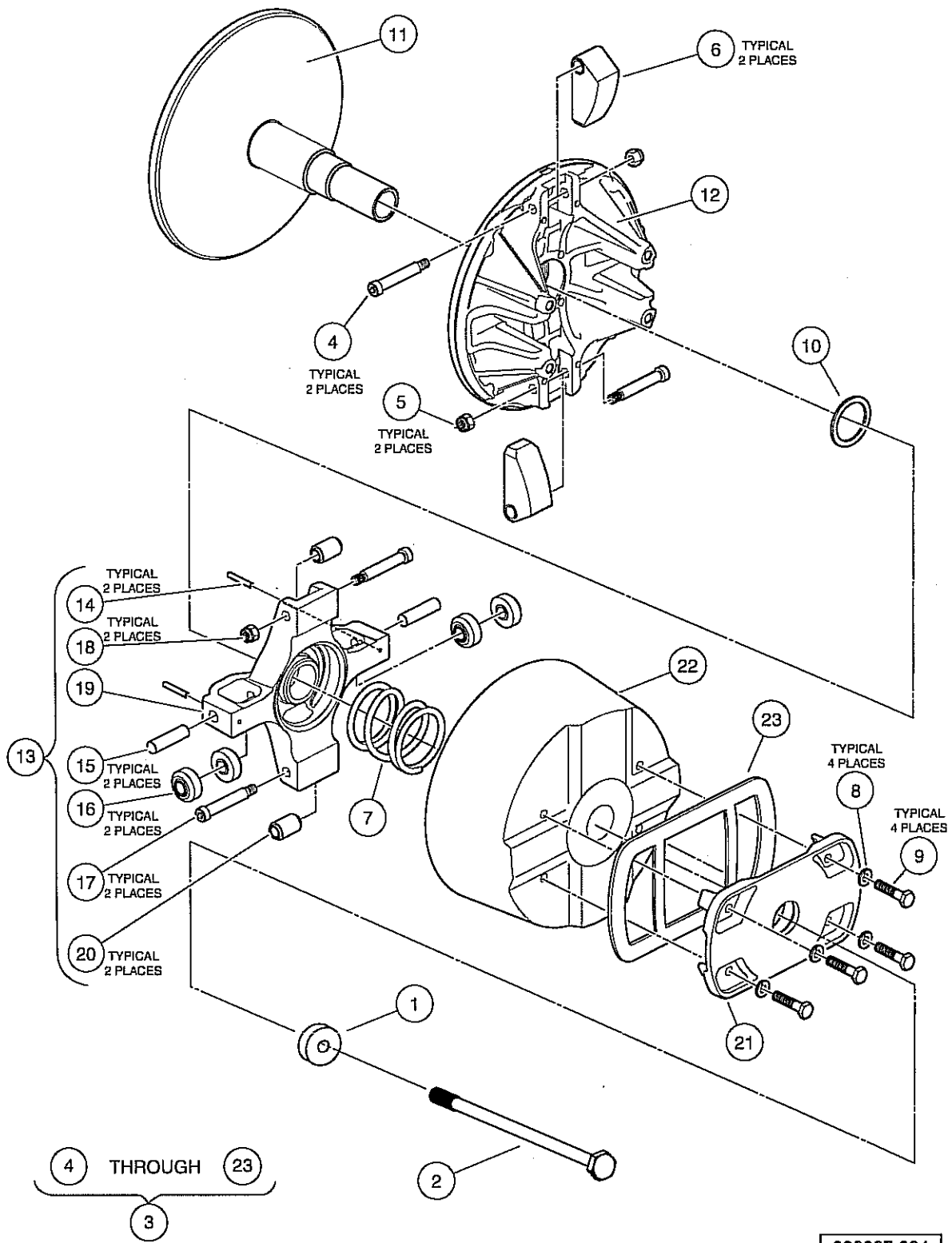
G

D

12

G

D



000007-004

DRIVE CLUTCH – DIESEL VEHICLES

ITEM	PART NO.	DESCRIPTION	QTY
		1 2 3 4	
1	603 00 09-38	Washer, Stepped	1
2	603 00 12-94	Bolt, M10 X 1.5 X 160	1
3	603 00 30-09	Clutch, 4x4, Diesel, W/cover (includes items 4 through 23)	1
4	603 00 16-11	Screw, Shlder Hex, .312 X 1.75	2
5	603 00 16-13	Nut, Lock Hex, 1/14-20, Flexlc	2
6	603 00 16-14	Sub Assy, Wt Clutch, Diesel	2
7	603 00 16-16	Spring, Compression, Primary	1
8	603 00 16-17	Washer, Lock, H-Spring, 1/4	4
9	603 00 16-18	Screw, Cap, Hex Hd, 1/4 X 1.25	4
10	603 00 16-19	Shim, 1.63 X 1.33	A/R
11	N/A	Subassembly, Drive Clutch	1
12	N/A	Subassembly, Moveable, Drive Clutch	1
13	N/A	Subassembly, Spider Utility, Diesel (includes items 14 through 20)	1
14	603 00 16-08	Pin, Spring Slotted, 1.25 X 1.0	2
15	603 00 16-09	Pin, Dowel, .375 X 1.50	2
16	603 00 16-10	Roller, Torque, Diesel	4
17	603 00 16-11	Screw, Shlder Hex, .312 X 1.75	2
18	603 00 16-13	Nut, Lock Hex, 1/14-20, Flexlc	2
19	N/A	Spider, Drive Clutch	1
20	603 00 16-12	Sub Assy, Roller Weight	2
21	N/A	Cover, Drive Clutch	1
22	531 30 81-40	Cover, Clutch, 4x4	1
23	531 30 81-39	Gasket, Cover, Clutch, 4x4	1

12

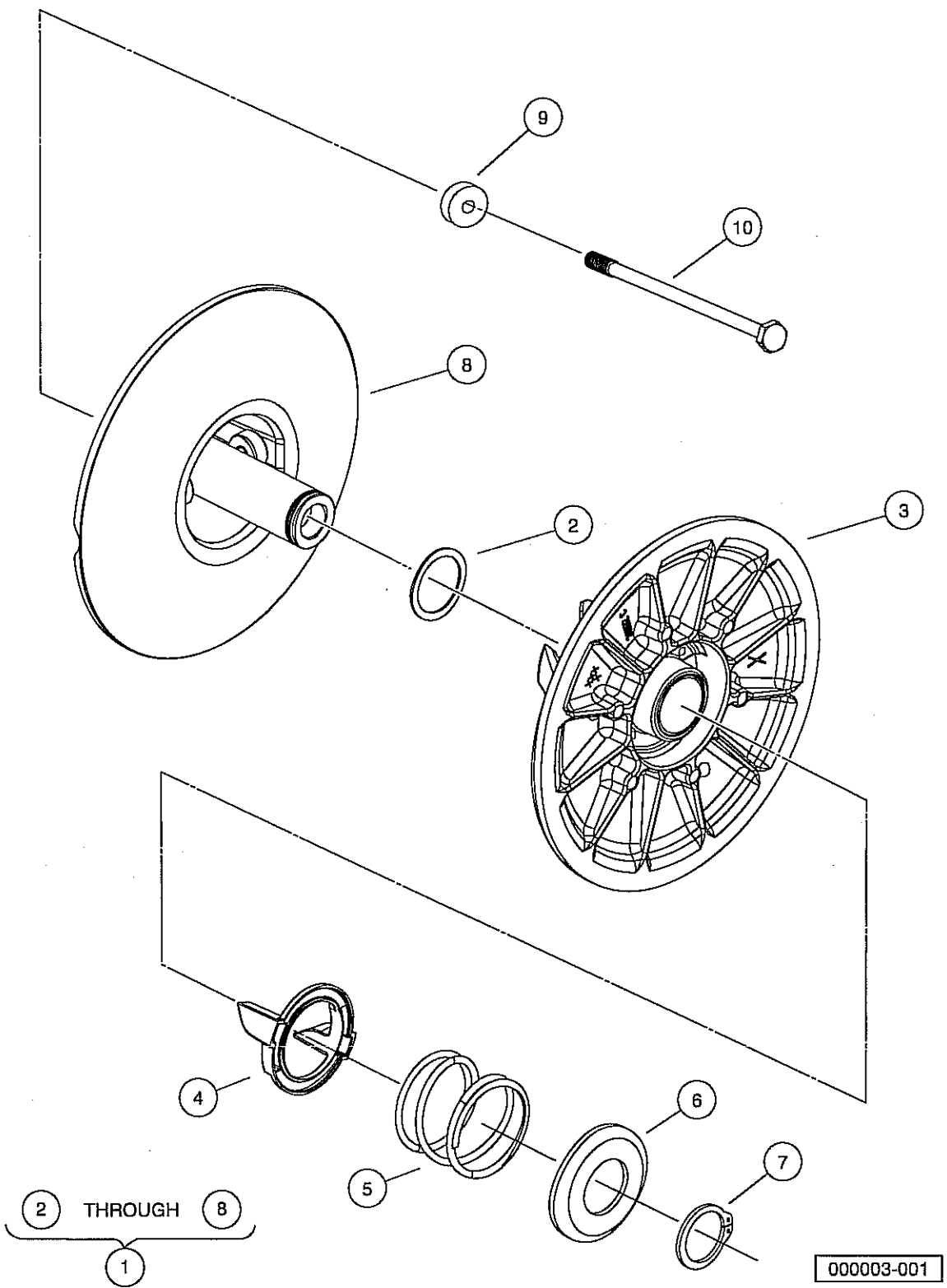
G

D

12

G

D



000003-001

DRIVEN CLUTCH

ITEM	PART NO.	DESCRIPTION	QTY
		1 2 3 4	
1	603 00 09-06	CVT, Secondary (includes items 2 through 8)	1
2	603 00 16-35	Washer, Thrust, 1.53 X 1.92	1
3	N/A	Sheave, Driven Clutch	1
4	603 00 16-36	Retainer, Spring, Inner	1
5	603 00 16-37	Spring, Compression, Secondary	1
6	603 00 16-38	Retainer, Spring, Outer	1
7	603 00 16-39	Ring, Retaining, External	1
8	N/A	Driven Clutch Base Sheave	1
9	603 00 09-39	Washer, Stepped	1
10	603 00 11-69	Bolt, M10 X 1.5 X 100 Loctite	1

12
G
D

12

G

D

DRIVETRAIN COMPONENTS

13

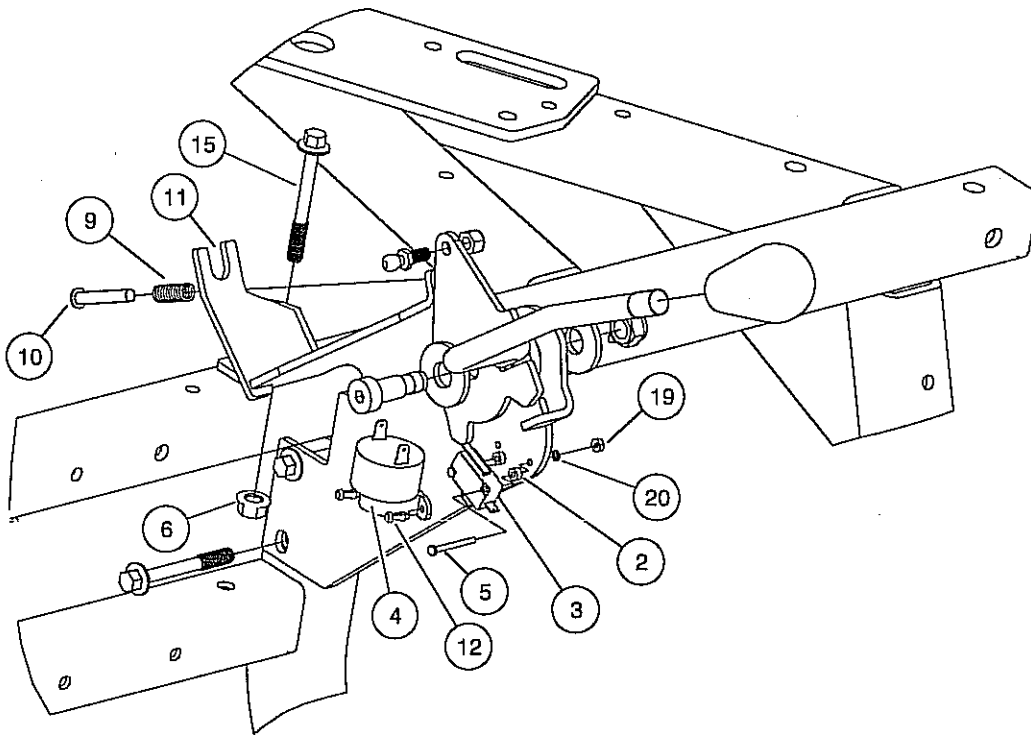
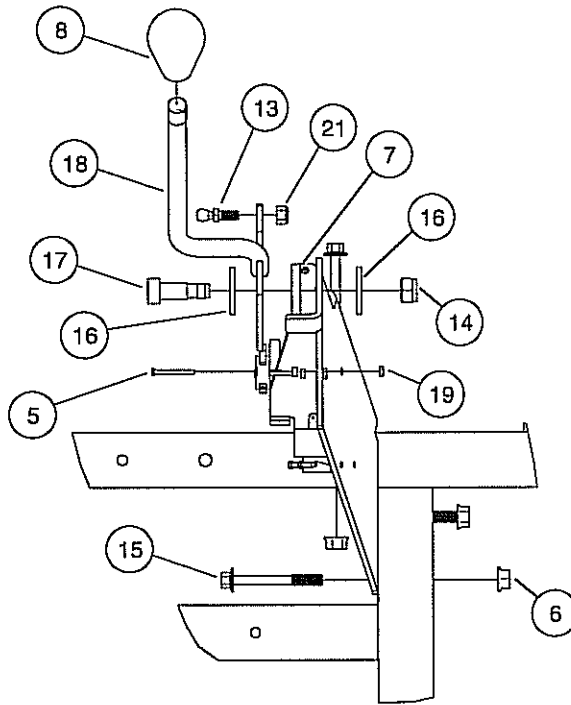
G

D

13

G

D



000030-002

FORWARD/REVERSE SHIFTER ASSEMBLY

ITEM	PART NO.	DESCRIPTION	QTY
		1 2 3 4	
1	603 00 35-61	Asm, FNR (includes items 2 through 21)	1
2	603 00 02-34	Washer, #4 Nylon Flat	2
3	603 00 02-36	Switch, Limit	1
4	603 00 03-71	Buzzer, Reverse (9-48 VDC)	1
5	603 00 03-76	Screw, #4-40 X 1.125 Hx Hd Mch	2
6	603 00 12-98	Nut,m8,all Metal Lock	3
7	603 00 09-23	Bushing, FNR	1
8	603 00 09-24	Knob, FNR	1
9	N/A	Spring, Stop, Pedal	1
10	N/A	Bolt, Stop, Pedal	1
11	N/A	Weldment, FNR Shifter Bracket	1
12	N/A	Rivet, Micro Tuflok	2
13	603 00 12-88	Stud, Ball, .346 Dia	1
14	603 00 12-95	Locknut, M10x1.5 Nylon Insert	1
15	603 00 13-06	Bolt Flanged Head, M8 X 1.25 X 65	3
16	603 00 15-99	Washer, M12 Hard Regular	2
17	603 00 16-00	Shoulder Bolt,m12 X 20 M10 Thd	1
18	603 00 35-60	Weldment, FNR Shifter	1
19	603 00 00-86	Nut, #4-40 Hex Machine	2
20	603 00 00-87	Lockwasher, #4 Helical Split	2
21	603 00 00-94	Locknut, 1/4-28 Nylon Insert	1

13

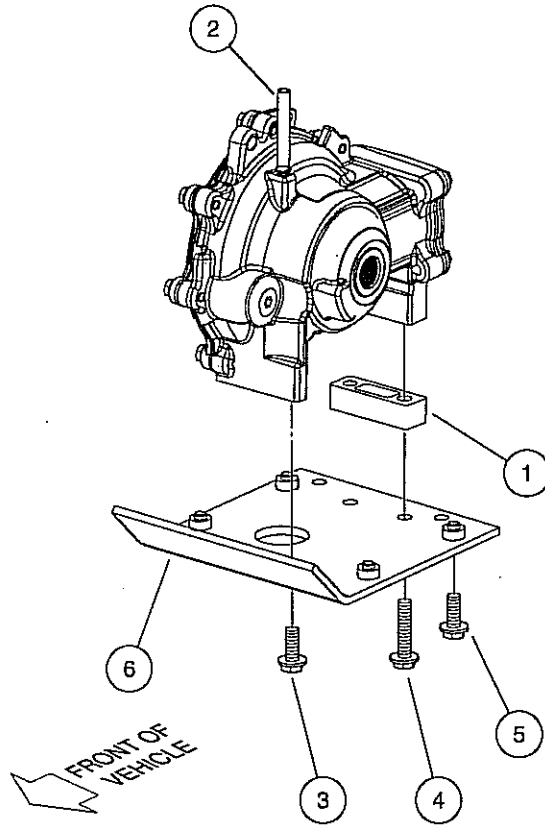
G

D

13

G

D



000012-003

FRONT DIFFERENTIAL MOUNTING PLATE

ITEM	PART NO.	DESCRIPTION	QTY
		1 2 3 4	
1	603 00 09-36	Spacer Block, Diff	1
2	603 00 11-12	Hose, Vent, Front Diff	1
3	603 00 11-71	Bolt Flanged Head, 3/8-16x1.0 with Loctite	2
4	603 00 11-72	Bolt Flanged Head, 3/8-16x1.500 with Loctite	2
5	603 00 16-69	Bolt, Flange Head, M10 X 1.5 X 25	4
6	603 00 35-62	Asm, Mount, Diff Plate	1

13

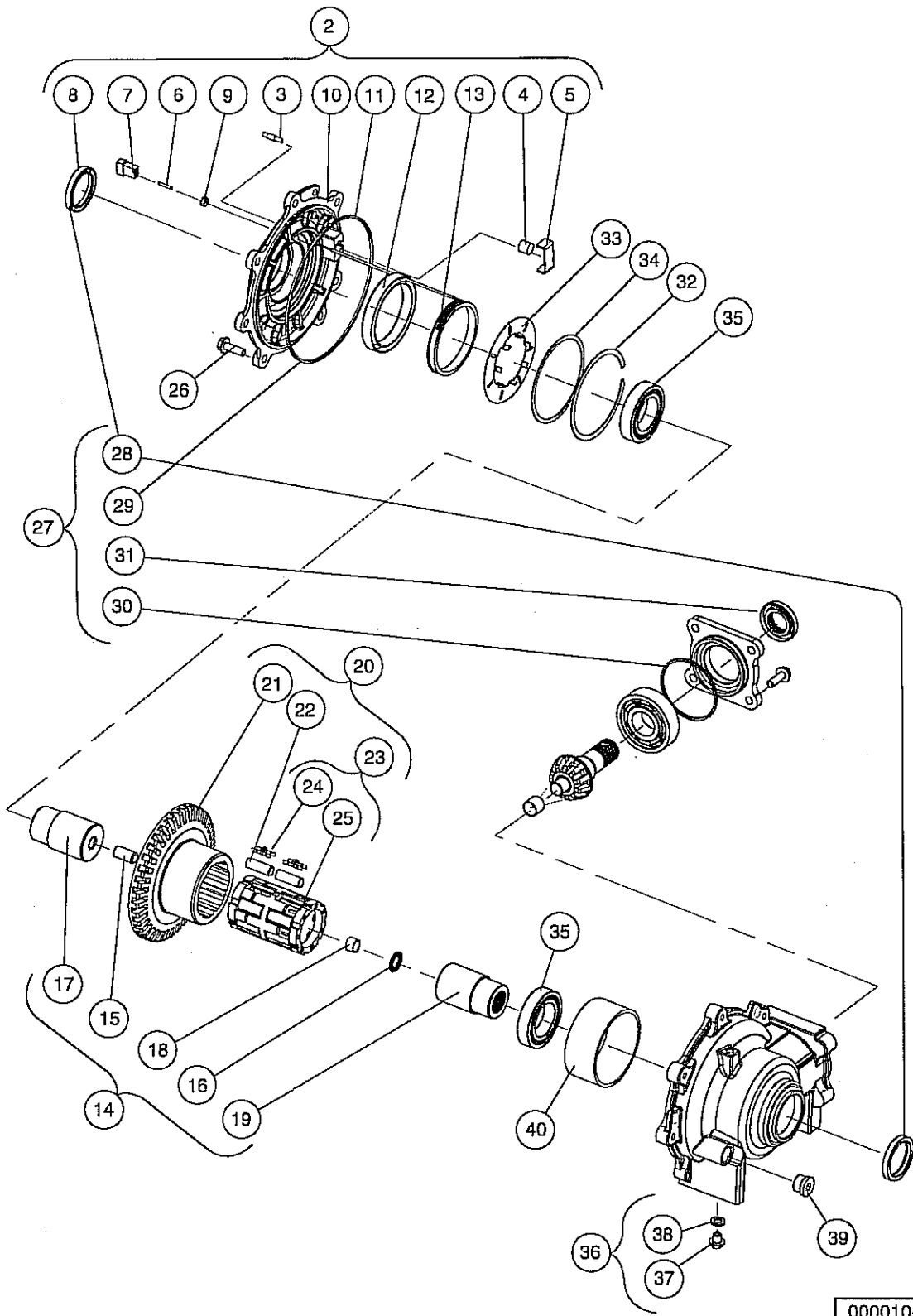
G

D

13

G

D



000010-001

FRONT DIFFERENTIAL (OUTPUT COMPONENTS)

ITEM	PART NO.	DESCRIPTION	QTY
		1 2 3 4	
1	603 00 09-13	Differential, Front * (includes items 2 through 40)	1
2	603 00 10-26	Kit, Assy, Output Cover Plate (includes items 3 through 13)	1
3	603 00 10-34	Set Screw, #10-24 UNC-3A with Patch	1
4	603 00 10-35	Thrust Button	1
5	603 00 10-36	Thrust Plate	1
6	N/A	Mate-N-Lock Pin	2
7	N/A	Mate-N-Lock Housing	1
8	N/A	Oil Seal	1
9	N/A	Grommet	1
10	N/A	Plate, Output Cover	1
11	N/A	O-Ring	1
12	N/A	Coil, Pocket Insert	1
13	N/A	Coil with Press-Fit Bobbin	1
14	603 00 10-27	Kit, Assy, Race Output Hub (includes items 15 through 19)	1
15	603 00 10-38	Pin, Dowel	1
16	603 00 10-39	Bearing, Needle	1
17	N/A	Race/Output Hub, Male	1
18	N/A	Bushing, PermiGlide	1
19	N/A	Race/Output Hub, Female	1
20	603 00 10-28	Kit, Assy, Clutch (includes items 21 through 23)	1
21	603 00 10-40	Clutch Hsg/Ring Gear, Machined	1
22	603 00 10-41	Kit, Roller (contains 14 rollers)	1
23	603 00 10-42	Kit, Assy, Roll Cage (includes items 24 and 25)	1
24	N/A	Kit, H-Clip Spring (contains 14 clips)	1
25	N/A	Roll Cage, Plastic	1
26	603 00 10-29	Kit, Bolt (contains 7 bolts)	1
27	603 00 10-30	Kit, Minor Repair (includes items 28 through 31)	1
28	N/A	Oil Seal	1
29	N/A	O-Ring	1
30	N/A	O-Ring	1
31	N/A	Oil Seal, Triple-Lipped	1
32	603 00 10-31	Retaining, Ring Internal	1
33	603 00 10-32	Plate, Armature	1
34	603 00 10-33	Shim, Armature, Plate	1
35	603 00 10-37	Bearing, Ball	12
36	603 00 10-43	Kit, Assy, Drain Plug (includes items 37 and 38)	1
37	N/A	Plug, Oil Drain	1
38	N/A	Washer, Nylon, 0.625 x 0.382 x 0.06	1
39	603 00 10-45	Plug, Oil Fill	1
40	N/A	Bushing, Self-Lubricating, 80 x 85 x 20	1
		* Note: This assembly also contains components listed on the following two pages.	

13

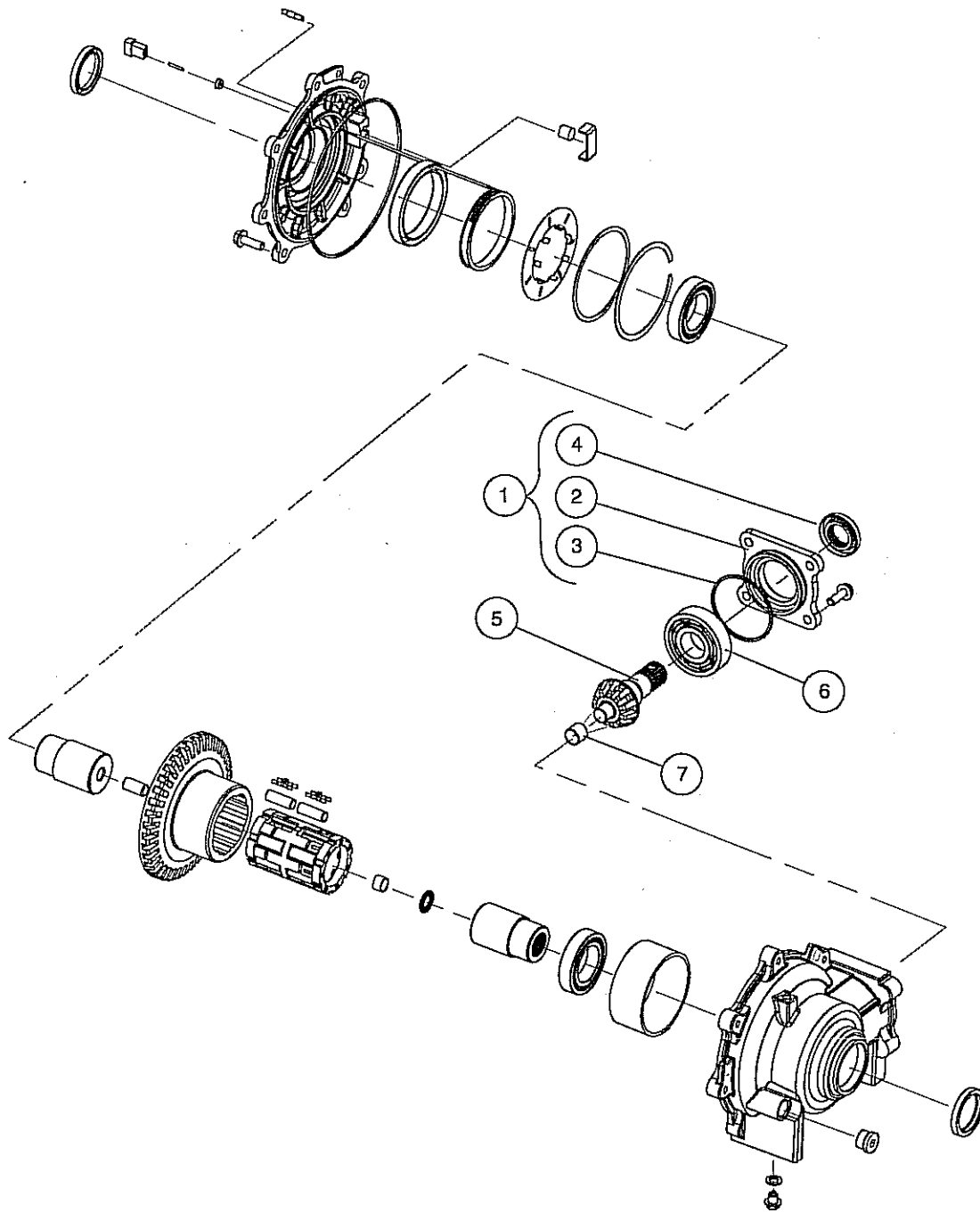
G

D

13

G

D



000010-002

FRONT DIFFERENTIAL (INPUT COMPONENTS)

ITEM	PART NO.	DESCRIPTION	QTY
		1 2 3 4	
1	603 00 10-44	Kit, Assy, Input Cover Plate (includes items 2 through 4)	1
2	603 00 10-48	Cover, Input, Machined	1
3	N/A	O-Ring	1
4	N/A	Oil Seal, Triple-Lipped	1
5	603 00 10-46	Shaft, Pinion, Machined	1
6	603 00 10-47	Bearing, Ball	1
7	603 00 35-63	Bushing, Plain 16 Id X 15 Wide	1
<p>Note: This page contains a list of components internal to the front differential. See the previous pages for other front differential components.</p>			

13

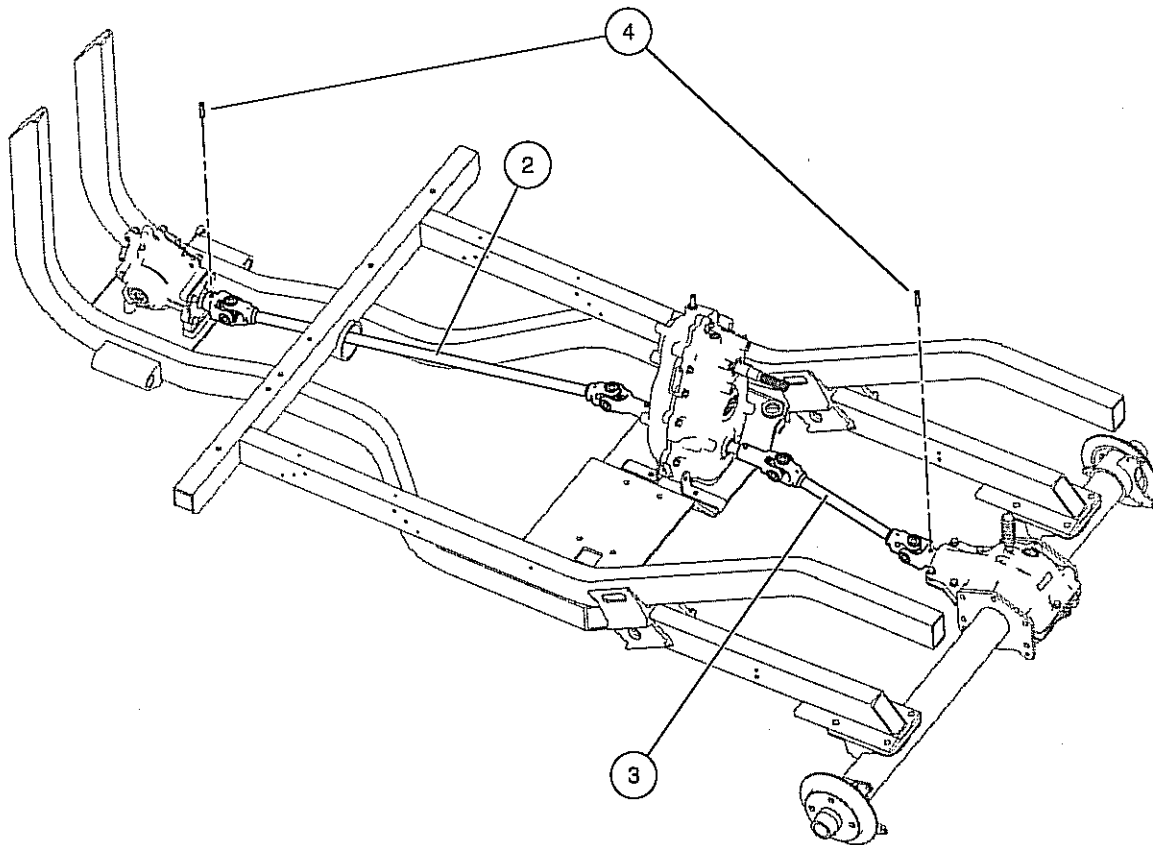
G

D

13

G

D



000091-001

PROP SHAFTS

ITEM	PART NO.	DESCRIPTION	QTY
		1 2 3 4	
1	N/A	Inst, Prop Shafts, Awd (includes items 2 through 4)	1
2	603 00 09-12	Prop Shaft, Front	1
3	603 00 09-15	Prop Shaft, Rear	1
4	603 00 04-36	Pin, Spring, 5/16 X 1-1/2 Hd	2

13

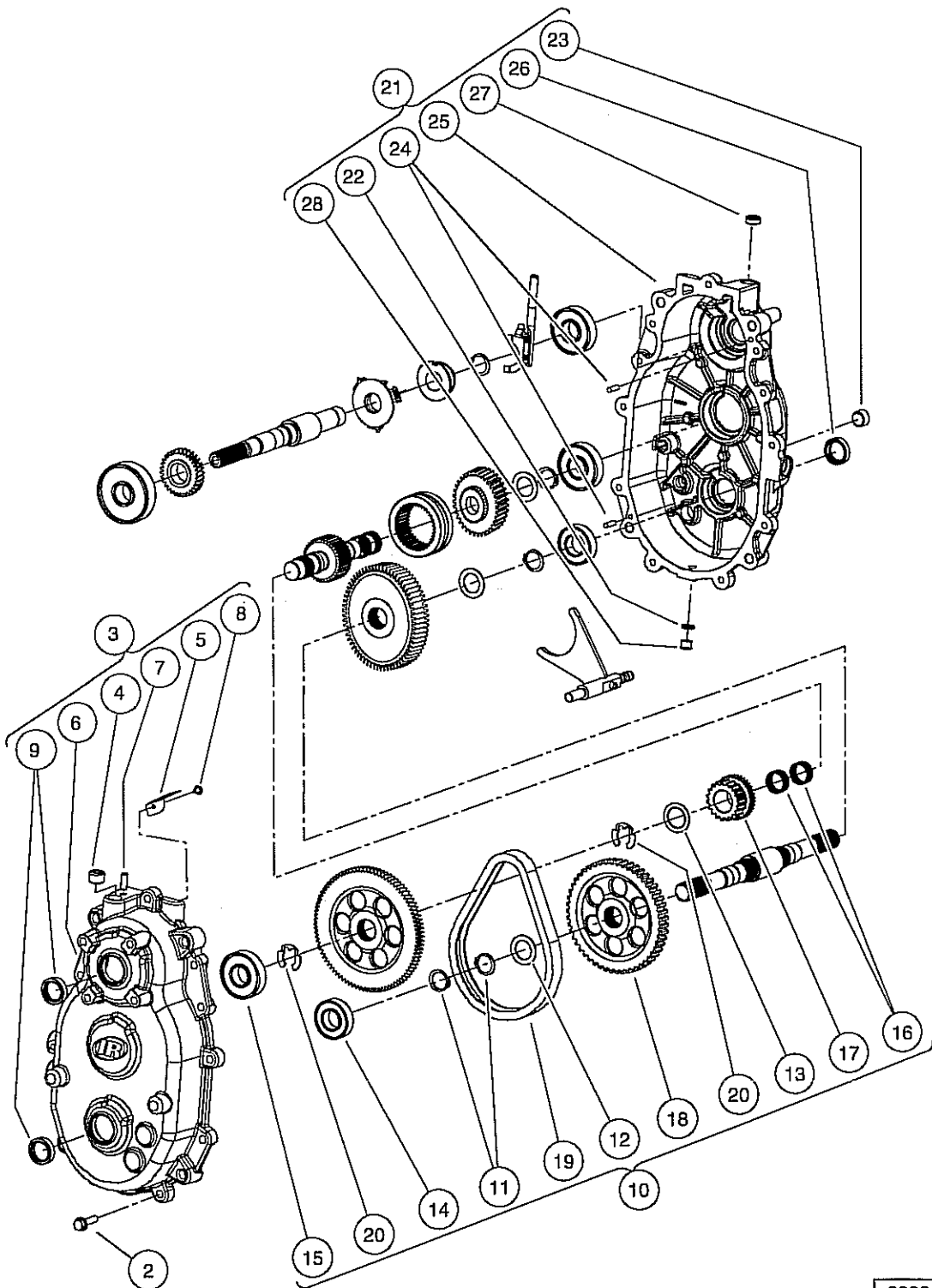
G

D

13

G

D



000016-004

TRANSMISSION – GASOLINE VEHICLES

ITEM	PART NO.	DESCRIPTION	QTY
		1 2 3 4	
1	603 00 35-66	Transmission, Parallel Shaft (includes items 2 through 21)	1
2	603 00 16-22	Bolt, M8	11
3	603 00 17-80	Asm, Gear Case, Rear (includes items 4 through 9)	1
4	603 00 16-28	Plug, Square-Socket, 1/2-14	1
5	603 00 16-43	Oil, Deflector	1
6	N/A	Gearcase, Rear	1
7	603 00 16-53	Vent, Trans	1
8	603 00 16-54	Screw, Self-Tapping #10-24 x 0.375	1
9	603 00 16-55	Seal, Triple-Lipped	2
10	603 00 17-87	Kit, Reverse Gear Repair (includes items 11 through 20)	1
11	603 00 16-42	Ring, Retaining, Basic External	2
12	603 00 16-45	Washer, Thrust, 1.007x1.542x0.062	1
13	603 00 16-47	Washer, 26.231 x 39.167 x 1.575	1
14	603 00 16-48	Bearing, Ball	1
15	603 00 16-49	Bearing, Ball	1
16	603 00 16-51	Bearing, Needle	2
17	N/A	Sprocket, 19-Tooth	1
18	N/A	Sprocket, 51-Tooth	1
19	N/A	Chain, Transmission	1
20	603 00 16-58	Ring, Retaining, E-Ring	2
21	603 00 35-70	Asm, Case, Gear, Front (includes items 22 through 28)	1
22	603 00 16-24	Washer, 0.625 x 0.382 x 0.060	1
23	603 00 16-28	Plug, Square-Socket, 1/2-14	1
24	603 00 16-41	Pin, Dowel, 6x20	2
25	N/A	Gearcase, Front	1
26	603 00 16-55	Seal, Triple-Lipped	1
27	603 00 16-81	Seal, Dual-Lip	1
28	603 00 35-69	Plug, 3/4-16	1

13

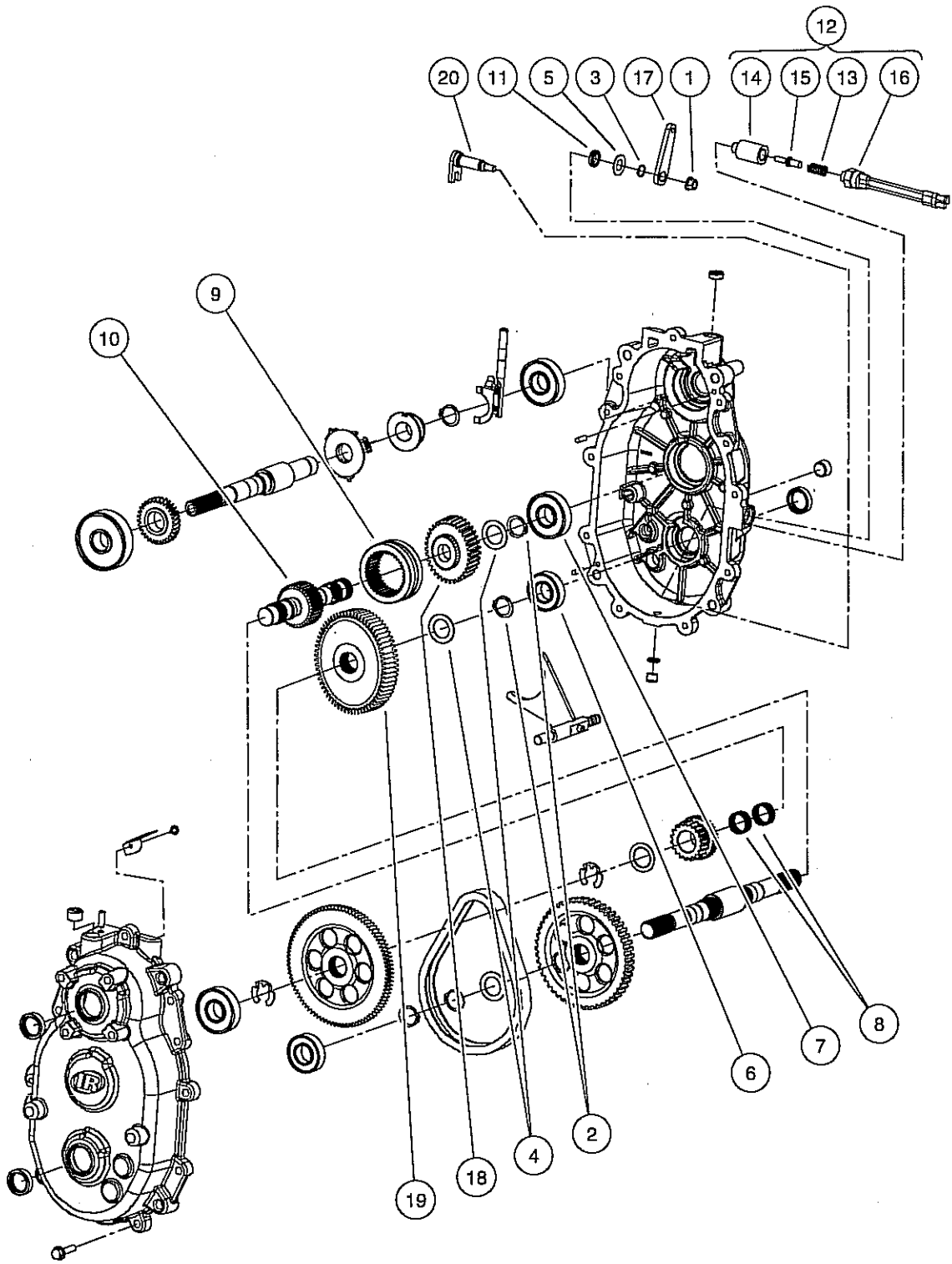
G

D

13

G

D



000016-005

TRANSMISSION – GASOLINE VEHICLES, CONTINUED

ITEM	PART NO.	DESCRIPTION	QTY
		1 2 3 4	
1	603 00 16-40	Nut, Lock Hex, Nylon, 5/16	1
2	603 00 16-42	Ring, Retaining, Basic External	2
3	603 00 16-44	Ring, Retaining, External 9/16	1
4	603 00 16-45	Washer, Thrust, 1.007x1.542x0.062	2
5	603 00 16-46	Washer, Flat, 0.58x1.08x0.05	1
6	603 00 16-48	Bearing, Ball	1
7	603 00 16-49	Bearing, Ball	1
8	603 00 16-51	Bearing, Needle	2
9	603 00 28-26	Dog, Engagement	1
10	603 00 28-36	Shaft, Intermediate	1
11	N/A	Seal, Dual-Lipped	1
12	603 00 17-86	Kit, Neutral Switch Repair (includes items 13 through 16)	1
13	N/A	Spring, 0.484 x 0.34 x 1.076	1
14	N/A	Guide, Detent Bullet	1
15	N/A	Bullet, Detent	1
16	N/A	Switch, Indicator, Pollak	1
17	603 00 35-71	Bellcrank, Alum	1
18	603 00 35-72	Gear, 35t, Spur	1
19	N/A	Gear, 65t Spur	1
20	N/A	Shaft, Shift	1

13

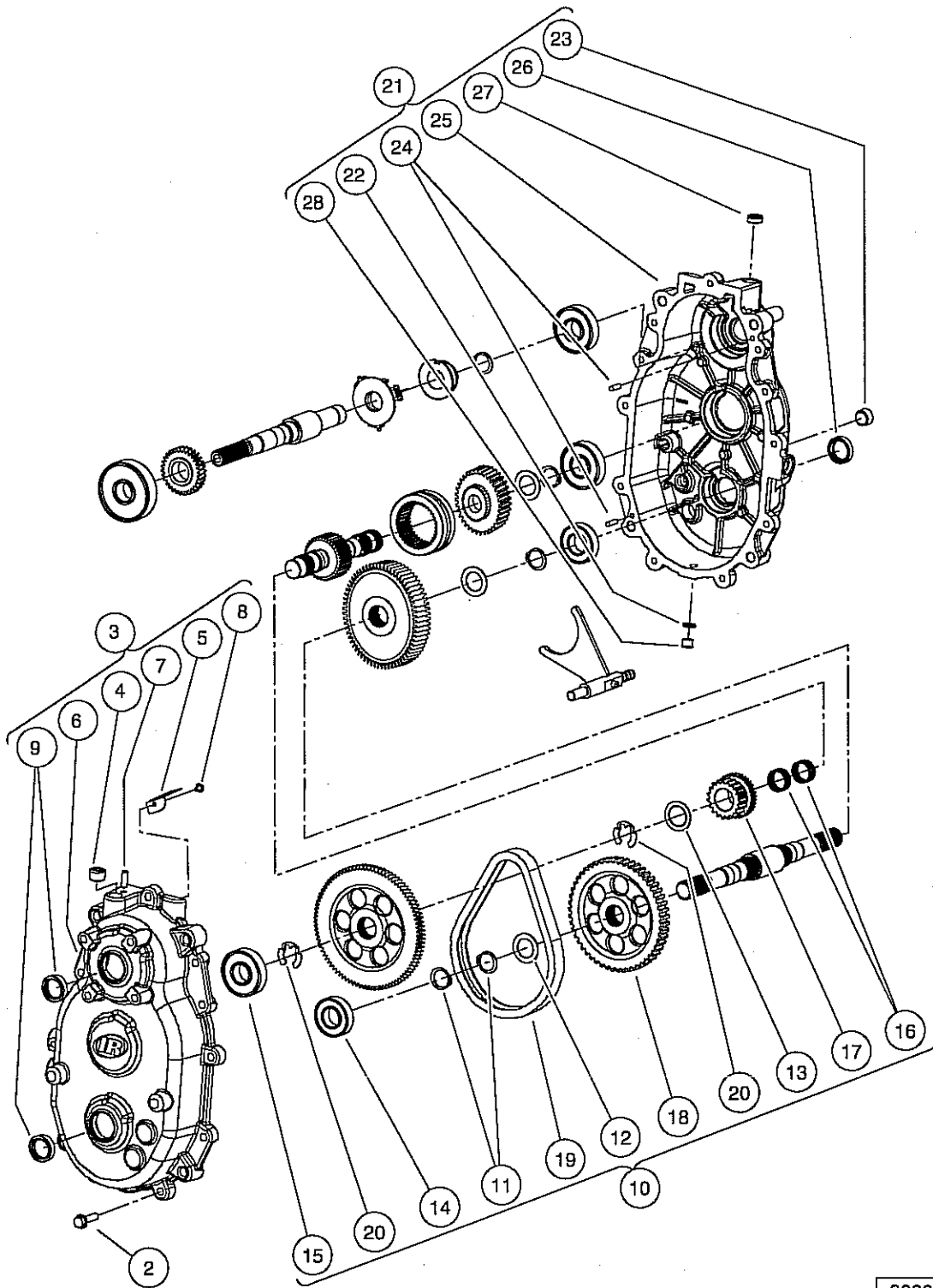
G

D

13

G

D



000016-006

TRANSMISSION – DIESEL VEHICLES

ITEM	PART NO.	DESCRIPTION	QTY
		1 2 3 4	
1	531 30 74-40	Trans, Parallel Shaft, Diesel (includes items 2 through 21)	1
2	603 00 16-22	Bolt, M8	11
3	603 00 17-80	Asm, Gear Case, Rear (includes items 4 through 9)	1
4	603 00 16-28	Plug, Square-Socket, 1/2-14	1
5	603 00 16-43	Oil, Deflector	1
6	N/A	Gearcase, Rear	1
7	603 00 16-53	Vent, Trans	1
8	603 00 16-54	Screw, Self-Tapping #10-24 x 0.375	1
9	603 00 16-55	Seal, Triple-Lipped	2
10	603 00 17-87	Kit, Reverse Gear Repair (includes items 11 through 20)	1
11	603 00 16-42	Ring, Retaining, Basic External	2
12	603 00 16-45	Washer, Thrust, 1.007x1.542x0.062	1
13	603 00 16-47	Washer, 26.231 x 39.167 x 1.575	1
14	603 00 16-48	Bearing, Ball	1
15	603 00 16-49	Bearing, Ball	1
16	603 00 16-51	Bearing, Needle	2
17	N/A	Sprocket, 19-Tooth	1
18	N/A	Sprocket, 51-Tooth	1
19	N/A	Chain, Transmission	1
20	603 00 16-58	Ring, Retaining, E-Ring	2
21	603 00 35-70	Asm, Case, Gear, Front (includes items 22 through 28)	1
22	603 00 16-24	Washer, 0.625 x 0.382 x 0.060	1
23	603 00 16-28	Plug, Square-Socket, 1/2-14	1
24	603 00 16-41	Pin, Dowel, 6x20	2
25	N/A	Gearcase, Front	1
26	603 00 16-55	Seal, Triple-Lipped	1
27	603 00 16-81	Seal, Dual-Lip	1
28	603 00 35-69	Plug, 3/4-16	1

13

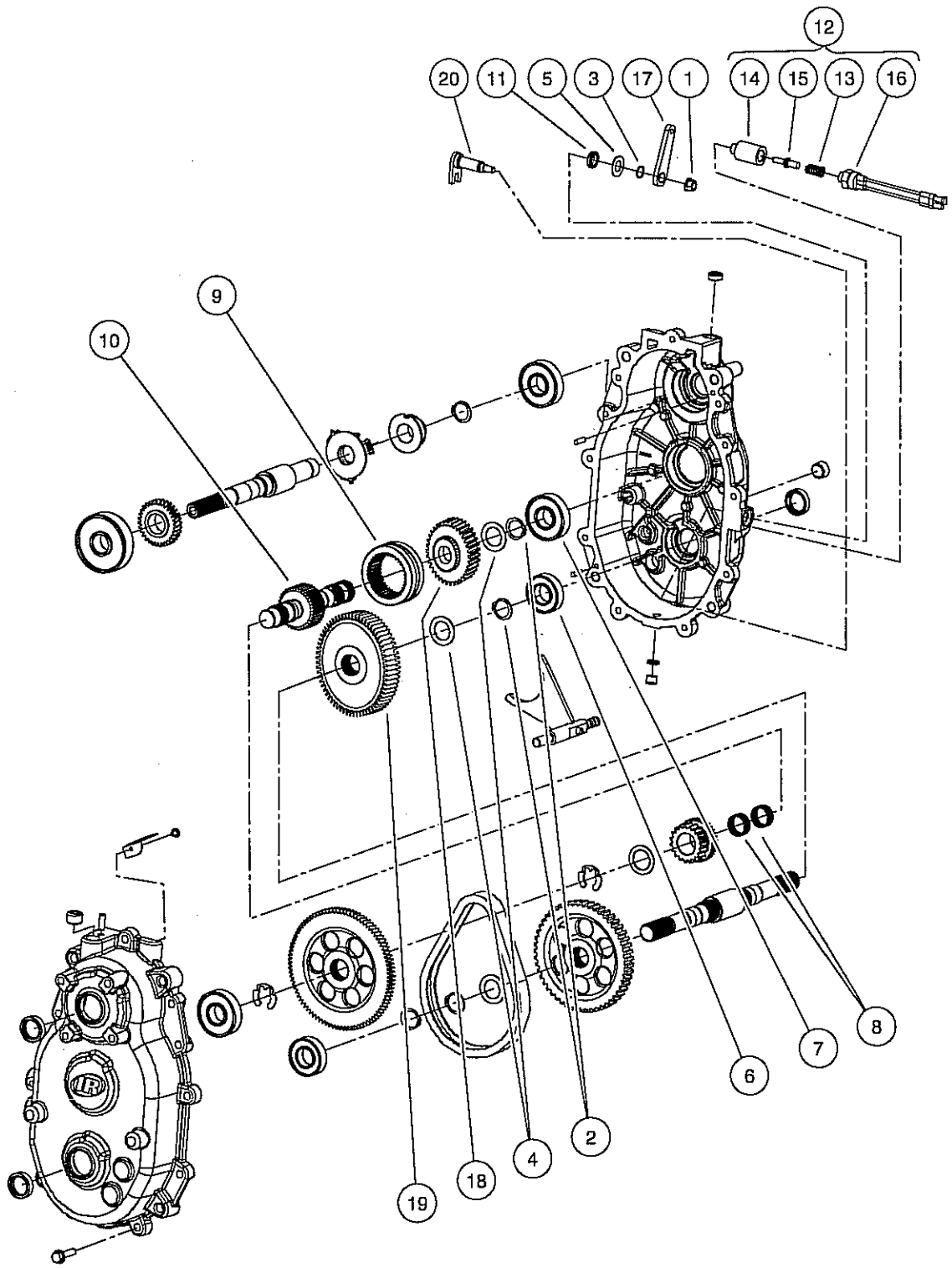
G

D

13

G

D



000016-007

TRANSMISSION – DIESEL VEHICLES, CONTINUED

ITEM	PART NO.	DESCRIPTION	QTY
		1 2 3 4	
1	603 00 16-40	Nut, Lock Hex, Nylon, 5/16	1
2	603 00 16-42	Ring, Retaining, Basic External	2
3	603 00 16-44	Ring, Retaining, External 9/16	1
4	603 00 16-45	Washer, Thrust, 1.007x1.542x0.062	2
5	603 00 16-46	Washer, Flat, 0.58x1.08x0.05	1
6	603 00 16-48	Bearing, Ball	1
7	603 00 16-49	Bearing, Ball	1
8	603 00 16-51	Bearing, Needle	2
9	603 00 28-26	Dog, Engagement	1
10	603 00 28-36	Shaft, Intermediate	1
11	N/A	Seal, Dual-Lipped	1
12	603 00 17-86	Kit, Neutral Switch Repair (includes items 13 through 16)	1
13	N/A	Spring, 0.484 x 0.34 x 1.076	1
14	N/A	Guide, Detent Bullet	1
15	N/A	Bullet, Detent	1
16	N/A	Switch, Indicator, Pollak	1
17	603 00 35-71	Bellcrank, Alum	1
18	603 00 35-72	Gear, 35t, Spur	1
19	N/A	Gear, 65t Spur	1
20	N/A	Shaft, Shift	1

13

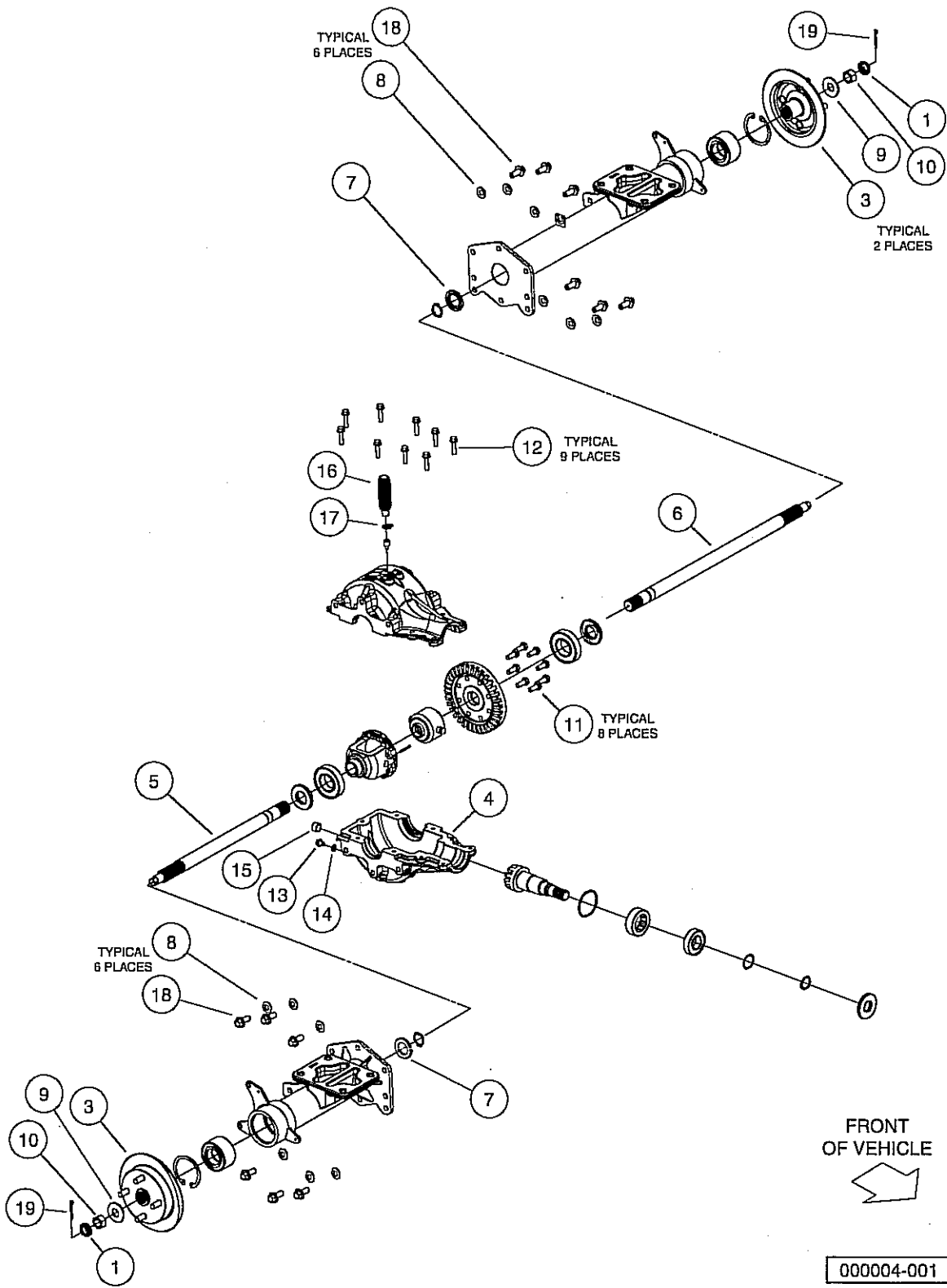
G

D

13

G

D



REAR DIFFERENTIAL

ITEM	PART NO.	DESCRIPTION	QTY
		1 2 3 4	
1	603 00 09-55	Axle, Rear, Guard Mounts (includes items 2 through 19)	1
2	603 00 08-67	Locking Cap, Nut	2
3	603 00 09-26	Assy, Rotor, Brake, Rear	2
4	603 00 10-72	Gearcase, Lower, Machined	1
5	603 00 11-16	Axle, RH	1
6	603 00 11-17	Axle, LH	1
7	603 00 15-90	Washer, 51 mm x 30 mm x 4 mm	2
8	603 00 15-91	Washer, Belleville	12
9	603 00 15-92	Washer, Belleville	2
10	603 00 15-93	Nut, Hex M20	2
11	603 00 16-21	Bolt, M10	8
12	603 00 16-22	Bolt, M8	9
13	603 00 16-23	Plug, 3/8-16	1
14	603 00 16-24	Washer, 0.625 x 0.382 x 0.060	1
15	603 00 16-28	Plug, Square-Socket, 1/2-14	1
16	603 00 16-29	Bellows, Vent, Upper Housing	1
17	603 00 16-30	Clamp, Hose, Dw-9.5	1
18	603 00 16-32	Bolt, Hex Flange, M12 x 1.75 x 30	12
19	603 00 16-33	Pin, Cotter	2

13

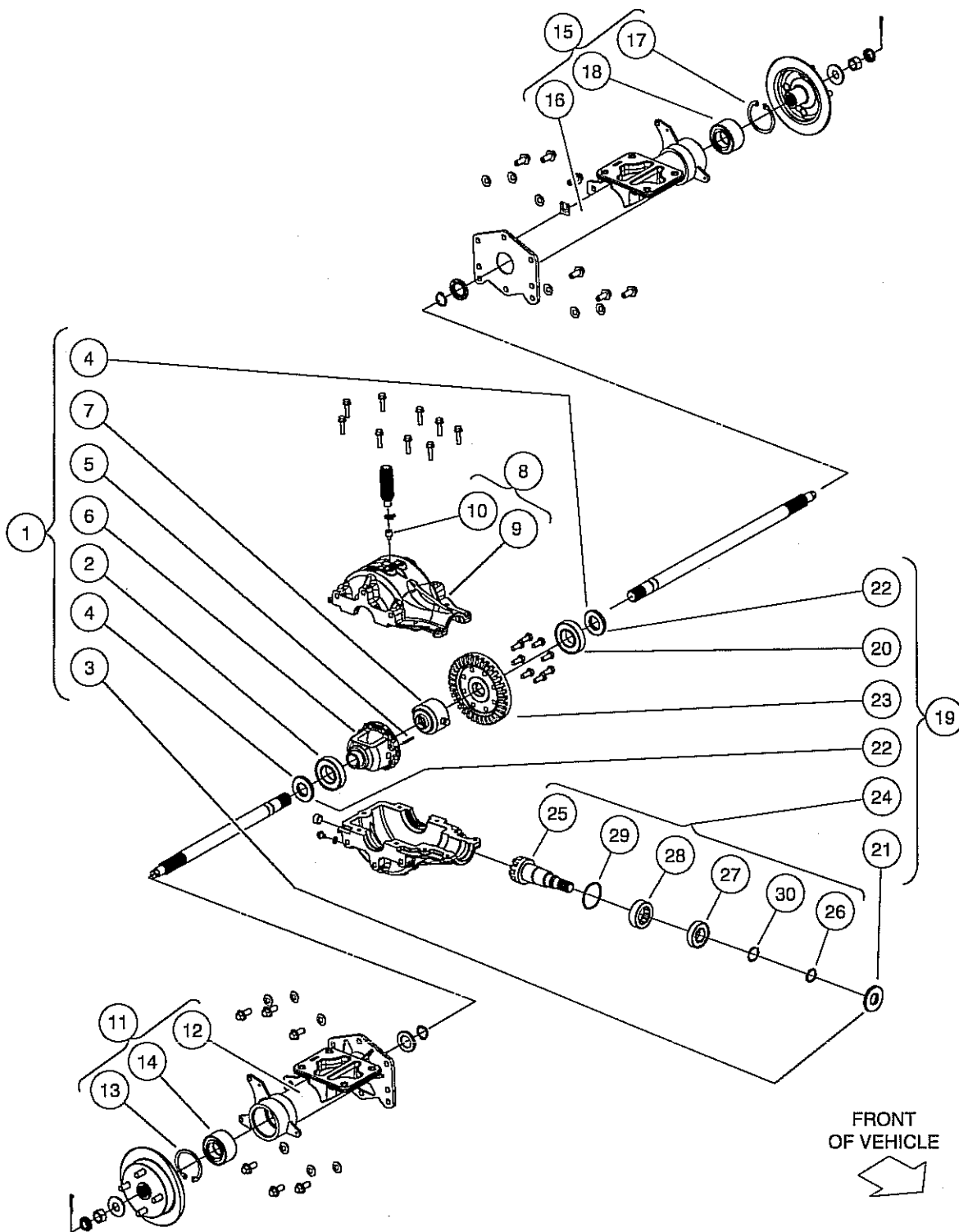
G

D

13

G

D



000004-002

REAR DIFFERENTIAL, CONTINUED

ITEM	PART NO.	DESCRIPTION	QTY
		1 2 3 4	
1	603 00 36-03	Assembly, Differential and Carrier (includes items 2 through 7)	1
2	603 00 11-22	Bearing, Ball	1
3	603 00 11-24	Seal, Dual-Lip 25x 62x 7tc	1
4	603 00 11-25	Seal, Dual-Lip 30x 62x 8tc	2
5	603 00 35-73	Pin, Dowel 4 mm x 35 mm	1
6	603 00 35-74	Housing, Differential, Mach	1
7	603 00 35-75	Asm, Locker, Nongrease/spacers	1
8	603 00 17-88	Asm, Gearcase, Upper (includes items 9 and 10)	1
9	N/A	Gearcase, Upper, Machined	1
10	603 00 16-26	Vent, Top, Upper Housing	1
11	603 00 17-89	Asm, Axle Tube, RH (includes items 12 through 14)	1
12	N/A	Tube, Axle, Right-Hand	1
13	603 00 11-18	Ring, Retaining, Internal	1
14	603 00 11-23	Bearing	1
15	603 00 17-90	Asm, Axle Tube, LH (includes items 16 through 18)	1
16	N/A	Tube, Axle, Left-Hand	1
17	603 00 11-18	Ring, Retaining, Internal	1
18	603 00 11-23	Bearing	1
19	603 00 17-91	Kit, Rear Axle Gear Repair (includes items 20 through 24)	1
20	603 00 11-22	Bearing, Ball	1
21	603 00 11-24	Seal, Dual-Lip 25x 62x 7tc	1
22	603 00 11-25	Seal, Dual-Lip 30x 62x 8tc	2
23	N/A	Gear, Ring, 33-Tooth	1
24	N/A	Asm, Pinion W/ Bearings (includes items 25 through 30)	1
25	N/A	Pinion, 10t Machined	1
26	603 00 11-19	Ring, Retaining, External	1
27	603 00 11-20	Bearing, Ball	1
28	603 00 11-21	Bearing, Needle, Drawn Shell	1
29	603 00 16-25	Washer, 2.625 x 2.367 x 0.060	1
30	603 00 16-31	Shim, 1.5 x 1.189 x 0.008	1

13

G

D

13

G

D

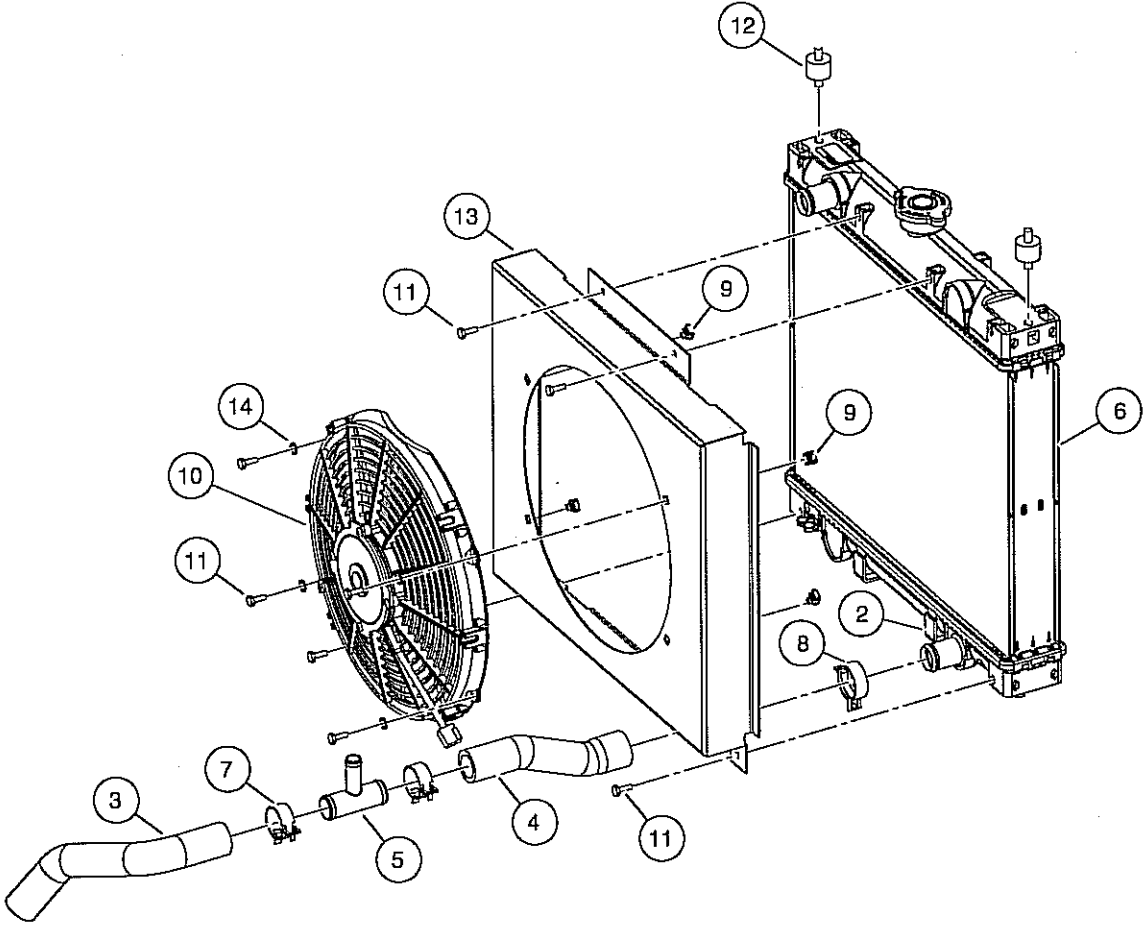
RADIATOR AND COOLANT SYSTEM – DIESEL VEHICLES

14

D

14

D



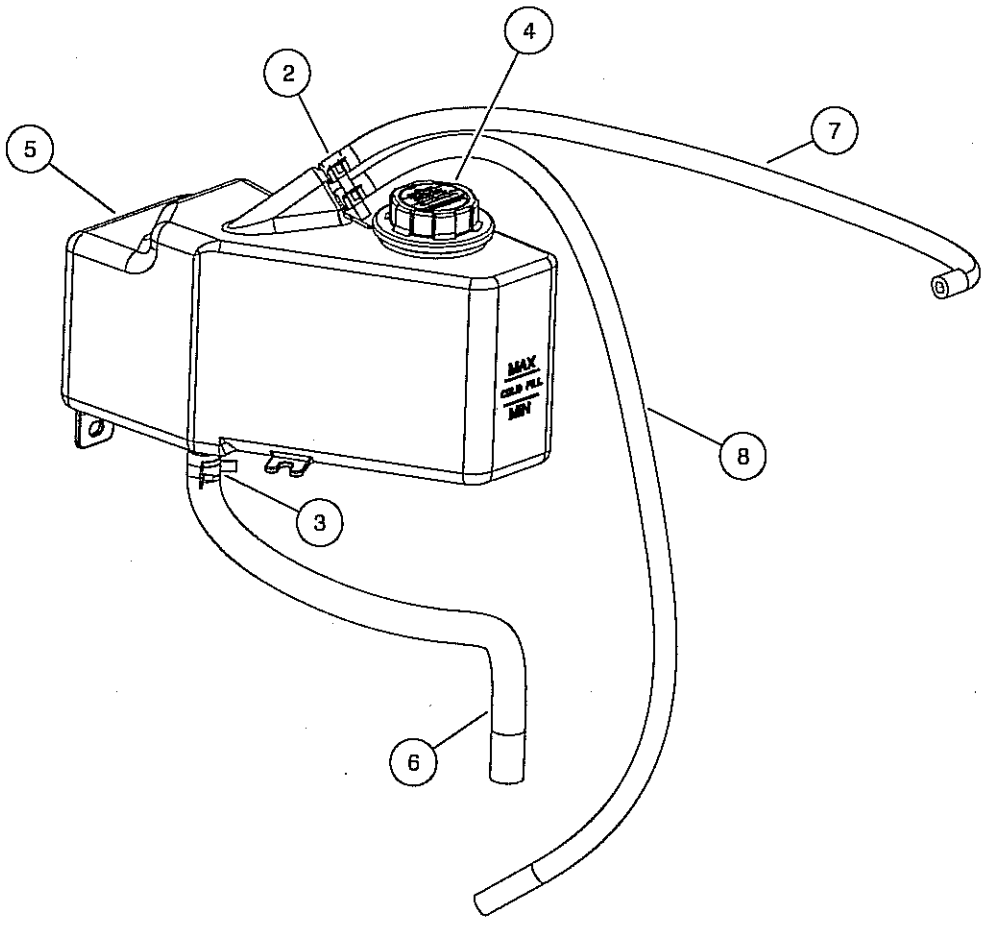
000541-001

RADIATOR

14

D

ITEM	PART NO.	DESCRIPTION	QTY
		1 2 3 4	
1	N/A	Asm, Radiator (includes items 2 through 14)	1
2	603 00 02-29	Tape, Vinyl Foam 1/8" x 3/4"	A/R
3	603 00 09-29	Hose, Coolant Lower Pipe	1
4	603 00 09-30	Hose, Coolant Lower Rad	1
5	603 00 09-34	Tee, Coolant Fill	1
6	603 00 09-64	Exchanger, Engine Coolant	1
7	603 00 09-73	Clamp, Hose, Ctb 35mm	2
8	603 00 09-74	Clamp, Hose, Ctb 38mm	1
9	603 00 09-77	Nut, Self Retaining	4
10	603 00 10-21	Fan, Cooling 12 In Elect	1
11	603 00 11-67	Bolt, M6 X 1 X 16 Loctite	8
12	603 00 16-01	Isolator, Twin-Stud	2
13	603 00 11-85	Shroud, Radiator Fan	1
14	603 00 04-42	Washer, M6	4



000540-001

COOLANT EXPANSION TANK

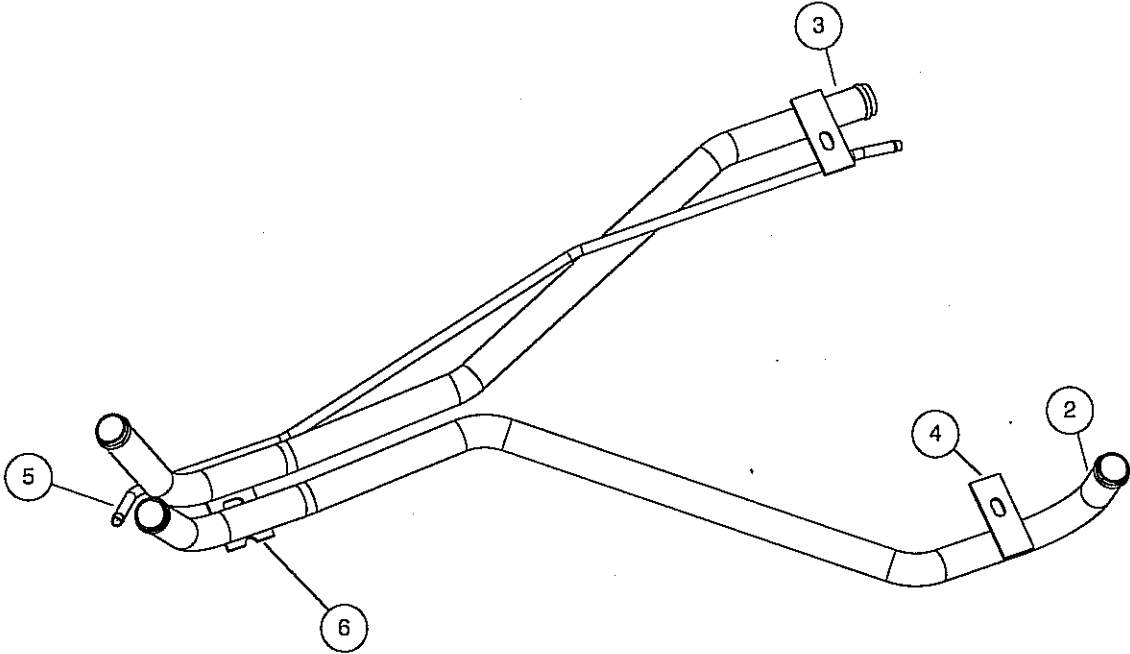
ITEM	PART NO.	DESCRIPTION	QTY
		1 2 3 4	
1	N/A	Asm, Coolant Bottle (includes items 2 through 8)	1
2	603 00 09-70	Clamp, Hose, CTB 15mm	2
3	603 00 09-71	Clamp, Hose, CTB 22mm	1
4	603 00 10-02	Cap, Radiator	1
5	531 30 81-76	Bottle, Coolant	1
6	603 00 35-76	Hose, Cut, 5/8, 725	1
7	603 00 35-77	Hose, Cut, Coolant, 775	1
8	603 00 35-78	Hose, Cut, Coolant, 1100	1

14

D

14

D



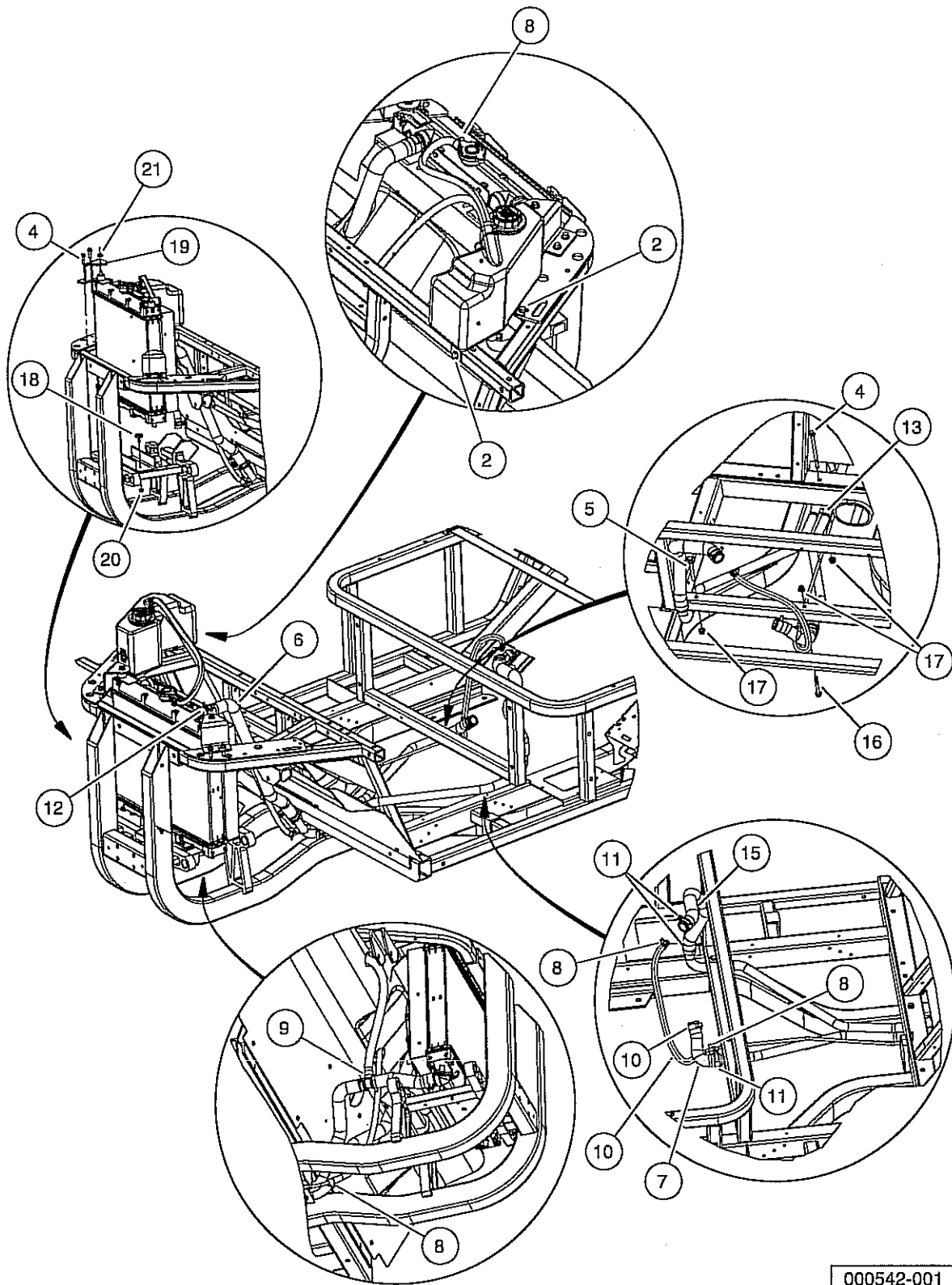
000539-001

COOLANT PIPES AND HOSES

ITEM	PART NO.	DESCRIPTION	QTY
		1 2 3 4	
1	N/A	Weldment, Group, Coolant Pipe (includes items 2 through 6)	1
2	603 00 35-79	Pipe, Coolant Upper	1
3	603 00 35-80	Pipe, Coolant Lower	1
4	603 00 35-81	Tab, Rear Mntg, Coolant Pipe	2
5	603 00 35-82	Pipe, Vent, Coolant	1
6	603 00 35-83	Tab, Cooling Pipe Mount	1

14

D



000542-001

COOLING SYSTEM CLAMPS, HOSES, AND HARDWARE

14

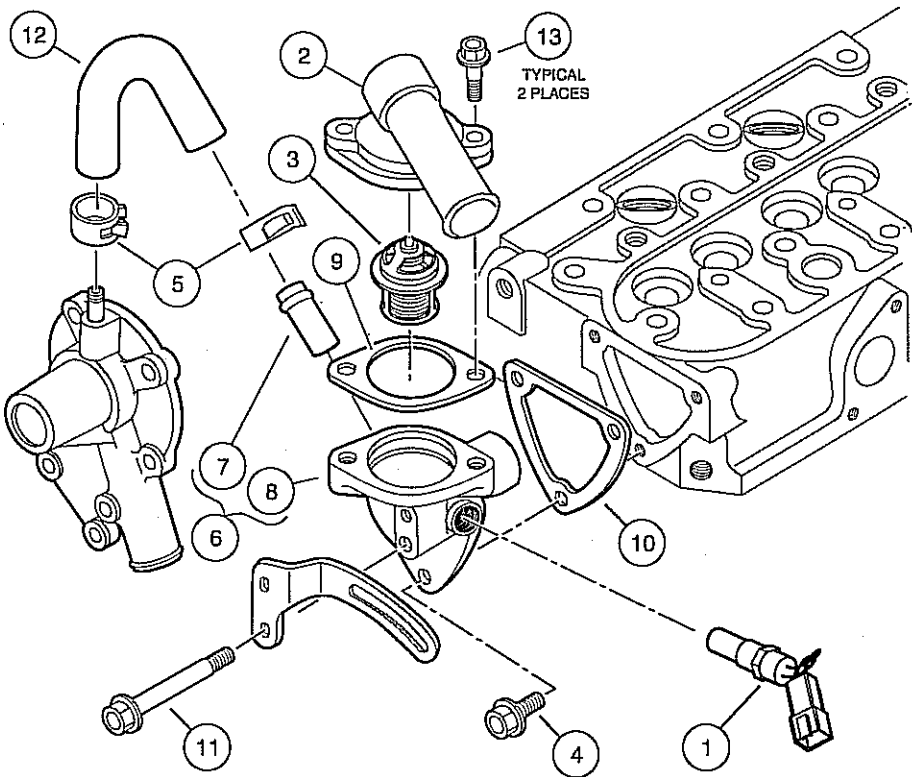
D

ITEM	PART NO.	DESCRIPTION	QTY
		1 2 3 4	
1	N/A	Instl, Cooling Sys, Diesel (includes Items 2 through 21)	1
2	603 00 02-20	Screw, 5/16-18 X 0.75 Thread-Forming	2
3	603 00 35-84	Bolt-hex Fl, M8 X 1.25 X 135	1
4	603 00 08-69	Screw, M8X1.25X30, Hex	4
5	603 00 35-85	M8-1.25 X 80 Sems	1
6	603 00 09-27	Hose, Coolant Upper Rad	1
7	603 00 09-28	Hose, Coolant Lower Eng	1
8	603 00 09-70	Clamp, Hose, CTB 15mm	4
9	603 00 09-71	Clamp, Hose, CTB 22mm	1
10	603 00 09-72	Clamp, Hose, Ctb 30mm	1
11	603 00 09-73	Clamp, Hose, Ctb 35mm	5
12	603 00 09-74	Clamp, Hose, Ctb 38mm	1
13	603 00 10-03	Clamp, Bar	1
14	603 00 10-16	Hose, Vent Tube To Eng, Coolnt	1
15	603 00 11-55	Hose, Coolant, Return, Engine	1
16	603 00 13-06	Bolt Flanged Head, M8 X 1.25 X 65	1
17	603 00 13-08	Lock Nut, Flg M8 X 1.25 Nylon	3
18	603 00 35-86	Bumper, 19mm Stud	2
19	603 00 35-87	Bracket, Radiator Support	2
20	603 00 35-88	Nut Flg, M6 X 1 Serrated	2
21	603 00 05-12	Nut Flg, M8 X 1.25 Serrated	2

14

DIESEL VEHICLE

D



FRONT
OF VEHICLE

000059-001

WATER FLANGE AND THERMOSTAT

ITEM	PART NO.	DESCRIPTION	QTY
		1 2 3 4	
1	603 00 09-63	Sensor, Coolant Temp	1
2	603 00 13-41	Cover, Thermostat	1
3	603 00 13-42	Assy, Thermostat	1
4	603 00 13-43	Bolt, M6 X 1 X 20	2
5	603 00 13-50	Band, Pipe	2
6	603 00 13-51	Flange, Water (includes items 7 and 8)	1
7	603 00 18-28	Pipe, Water Return, D722	1
8	N/A	Flange, Water	1
9	603 00 13-53	Gasket, Thermostat	1
10	603 00 14-60	Gasket, Water Flange	1
11	603 00 17-47	Bolt, Alt, D722, Stay Lower	1
12	603 00 17-48	Pipe, Water Return, D722	1
13	603 00 17-49	Bolt, D722, Thermostat Cover	2

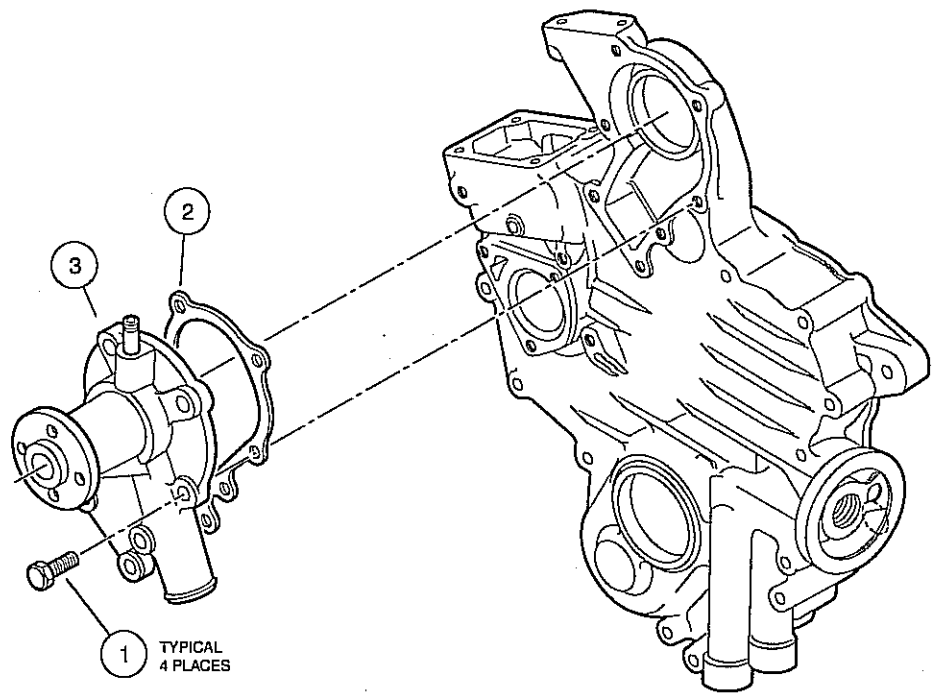
14

D

14

DIESEL VEHICLE

D



FRONT
OF VEHICLE
↙

000060-001

WATER PUMP

ITEM	PART NO.	DESCRIPTION	QTY
		1 2 3 4	
1	603 00 12-67	Bolt, M6 X 1 X 22	4
2	603 00 13-49	Gasket, Water Pump, D722	1
3	603 00 17-50	Water Pump Assembly	1

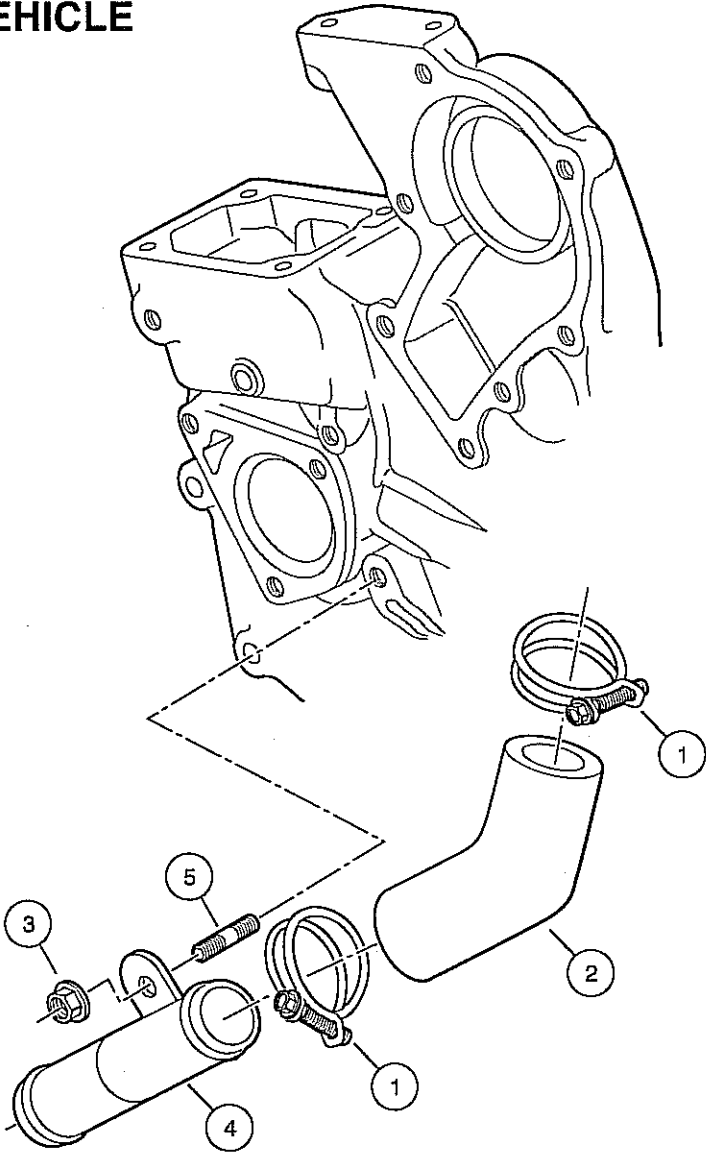
14

D

14

DIESEL VEHICLE

D



FRONT
OF VEHICLE
↙

000061-001

BLOCK COOLANT PIPE

ITEM	PART NO.	DESCRIPTION	QTY
		1 2 3 4	
1	603 00 13-44	Band, Pipe, with Nut	2
2	603 00 13-45	Pipe, Water, Bent	1
3	603 00 13-46	Nut, Flange, M6	1
4	603 00 13-47	Pipe, Water, Bent	1
5	603 00 13-48	Stud, M6 X 15	1

14

D

14

D

MAINTENANCE AND SERVICE TOOLS

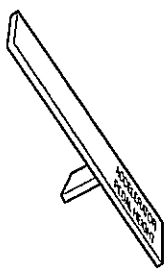
15

G

E

D

**15
G
E
D**



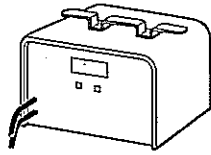
1



2



3



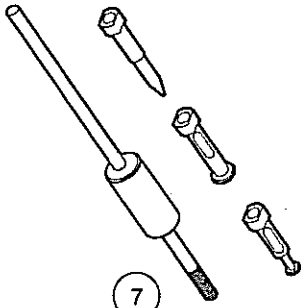
4



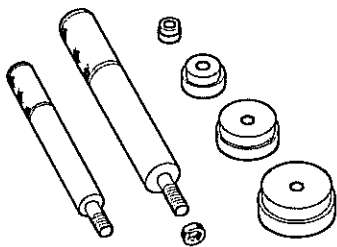
5



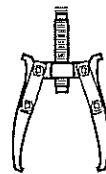
6



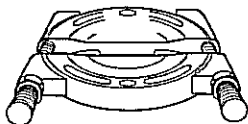
7



8



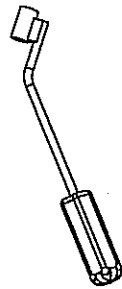
9



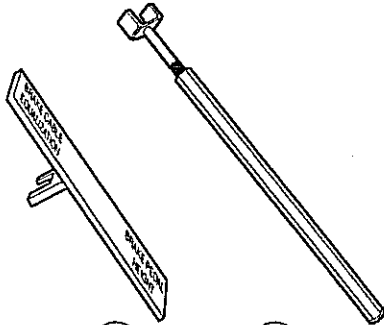
10



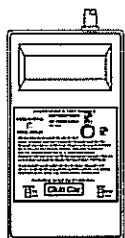
11



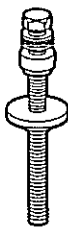
12



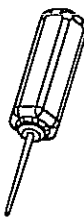
14 15
13



16



17



18



19

MAINTENANCE AND SERVICE TOOLS

ITEM	PART NO.	DESCRIPTION	QTY DIESEL	QTY GAS	QTY ELEC
		<p style="text-align: center;">1 2 3 4</p> <p>The following tool list includes all tools available from Husqvarna for maintenance and service procedures for gasoline, electric, and/or diesel vehicles, both past and present models. Be sure to carefully examine the tool list for applicability to your vehicle before ordering.</p>			
1	603 00 18-32	Accelerator Pedal Adjustment Tool		1	1
2	603 00 18-33	Adhesive, Guide Ring, 3-Gram Tube			1
3	603 00 18-34	Arbor		1	
4	603 00 18-35	Battery Discharge Machine, 36/48 Volt			1
5	603 00 00-03	Battery Terminal Protector Spray	1	1	1
6	603 00 18-37	Battery Thermometer	1	1	1
7	603 00 18-38	Bearing and Oil Seal Remover Assembly	1	1	1
8	603 00 18-39	Bearing Driver Set	1	1	1
9	603 00 18-40	Bearing Puller	1	1	1
10	603 00 18-41	Bearing Puller Wedge Attachment	1	1	1
11	603 00 18-42	Brake Adjustment Tool (used only on vehicles with manually adjusted mechanical brakes)		1	1
12	603 00 18-43	Brake Cable Release Tool	1	1	1
13	603 00 18-44	Brake Pedal Adjustment Tool Kit (includes items 14 and 15)			1
14	****	Brake Pedal Adjustment Tool			1
15	****	Brake Pedal Tension Tool			1
16	603 00 18-46	Calibration Test Module			1
17	603 00 18-47	Cam Installation Tool		1	
18	603 00 18-48	Charger Bezel Tool			1
19	603 00 18-49	Clutch Removal Tool (for 4x4 vehicles)			1
		Please refer to the maintenance and service manual for proper tool application.			
	****	Special order item available upon request			

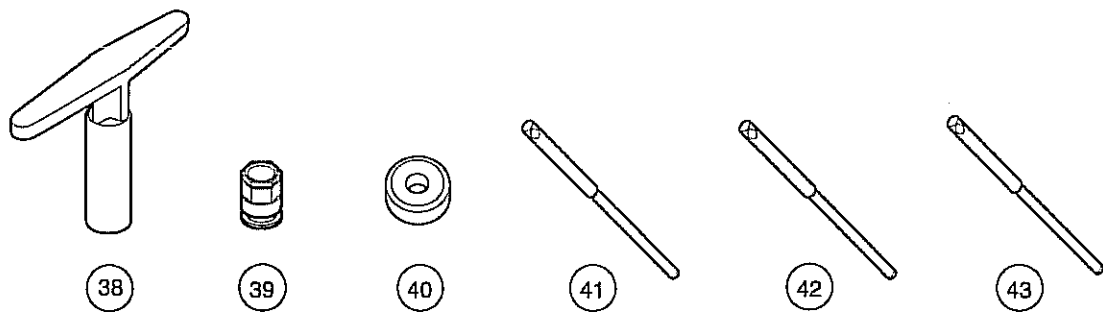
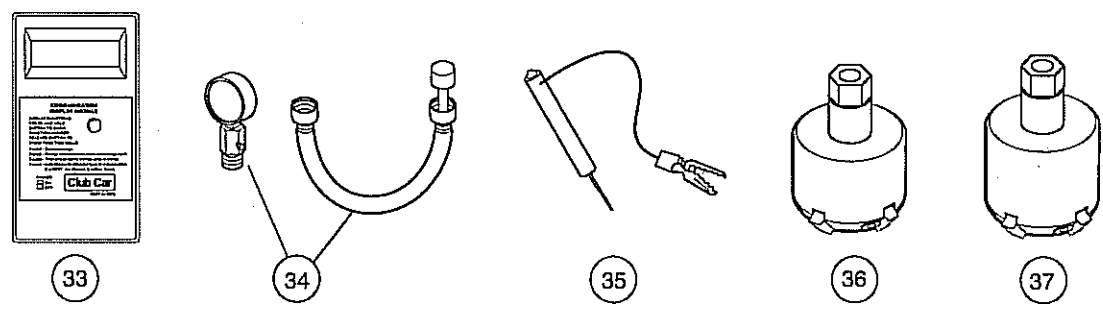
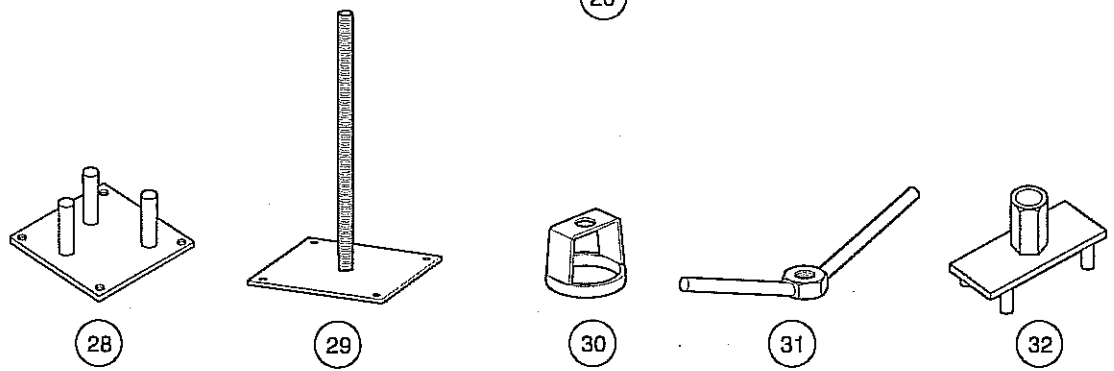
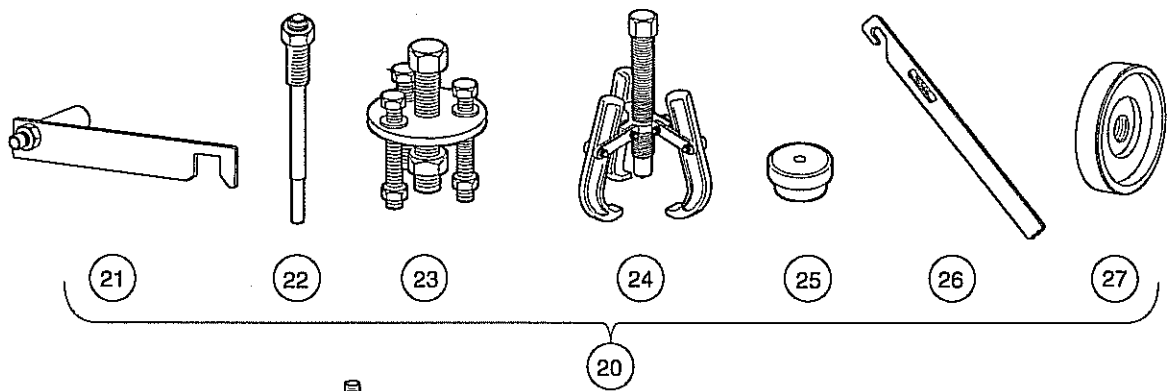
15

G

E

D

15
G
E
D



MAINTENANCE AND SERVICE TOOLS, CONTINUED

ITEM	PART NO.	DESCRIPTION	QTY DIESEL	QTY GAS	QTY ELEC
		1 2 3 4			
20	603 00 18-50	Clutch Tool Kit (includes items 21 - 27)		1	
21	603 00 18-51	Clutch Alignment Tool (for pre-unitized transaxle vehicles built prior to 1997 model year)		1	
22	603 00 18-52	Drive Clutch Puller (for Kawasaki engines only)		1	
23	603 00 18-53	Drive Clutch Hub Puller (for Kawasaki engines only)		1	
24	603 00 18-54	Driven Clutch Cam Puller (for Kawasaki engines only)		1	
25	603 00 18-55	Driven Clutch Puller Plug (for Kawasaki engines only)		1	
26	603 00 18-56	Drive Clutch Holder Tool Assembly (for Kawasaki engines only)		1	
27	603 00 18-57	Press Weldment (for Kawasaki engines only)		1	
28	603 00 18-58	Drive ClutchFixed Sheave Tool (for 4x4 vehicles)			1
29	603 00 18-60	Driven Clutch Spring Compression Base (for use with items 30 and 31) (for 4x4 vehicles)	1	1	
30	603 00 18-61	Driven Clutch Spring Compression Collar (for use with items 29 and 31) (for 4x4 vehicles)	1	1	
31	603 00 18-62	Driven Clutch Spring Compression Nut (for use with items 29 and 30) (for 4x4 vehicles)	1	1	
32	603 00 18-59	Drive Clutch Spider Removal Tool (for 4x4 vehicles)	1	1	
33	603 00 18-63	Communication Display Module			1
34	603 00 18-64	Compression Gauge and Adapter		1	
35	603 00 18-67	Continuity Tester		1	1
36	603 00 29-35	Cutter, Valve Seat, #122		1	
37	603 00 29-36	Cutter, Valve Seat #115		1	
38	603 00 29-38	Wrench, T, #505		1	
39	603 00 29-38	Adapter, T-Wrench		1	
40	603 00 18-75	Cutter, Valve Seat, 60 Degree (requires item 51) (for Honda GX620 Gasoline Engines)		1	
41	603 00 29-39	Pilot, 6.6 MM		1	
42	603 00 29-40	Pilot, 6.62 MM		1	
43	603 00 29-41	Pilot, 6.65 MM		1	
		Please refer to the maintenance and service manual for proper tool application.			

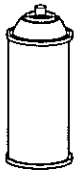
15

G

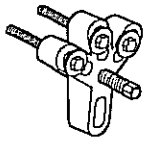
E

D

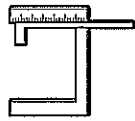
15
G
E
D



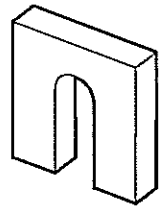
44



45



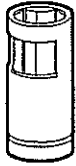
46



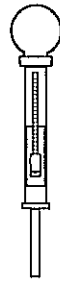
47



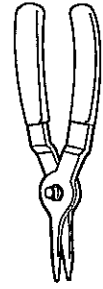
48



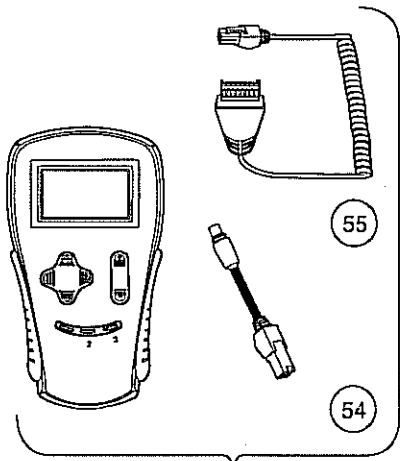
49



50



51

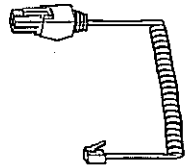


52

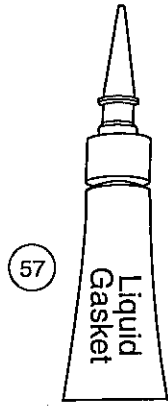
53

55

54



56



57



58



59



60



61

MAINTENANCE AND SERVICE TOOLS, CONTINUED

ITEM	PART NO.	DESCRIPTION	QTY	QTY	QTY	15
			DIESEL	GAS	ELEC	
		1 2 3 4				G
44	603 00 00-01	Dry Moly Lubricant	1	1	1	E
45	603 00 18-81	Flywheel Puller Kit (for Kawasaki Engines)		1		D
46	603 00 18-83	Gauge, Carburetor Float Level (for Honda GX620 Gasoline Engines)		1		
47	603 00 18-86	Gear Yoke	1	1	1	
48	603 00 18-87	Governor Shaft Installation Tool (for Kawasaki Engine Vehicles)		1		
49	603 00 18-89	Hydraulic Brake Adjuster (for HUV 4213)			1	
50	603 00 18-90	Hydrometer	1	1	1	
51	603 00 18-92	Internal Retaining Ring Pliers	1	1	1	
52	603 00 26-87	IQ Display Module (IQDM) Kit (for electric vehicles only)			1	
		(includes items 54 and 55)				
53	603 00 33-69	IQ Display Module (IQDM-P) Kit (for electric vehicles only)			1	
		(includes items 54 and 55)				
54	603 00 18-94	Adaptor, Cable			1	
55	603 00 18-95	IQDM Series 2 Cable			1	
56	603 00 18-96	IQDM Series 1 Cable (replacement)			1	
57	603 00 06-07	Liquid Gasket (transaxle case)	1	1	1	
58	603 00 29-92	Moly-Teflon Lubricant (4-oz. (113-gram) tube)			1	
59	603 00 33-70	Paint, Touch-Up – Beige		1	1	
59	603 00 33-71	Paint, Touch-Up – Black		1	1	
59	603 00 33-72	Paint, Touch-Up – Burgundy		1	1	
59	603 00 33-73	Paint, Touch-Up – Classic Blue (Navy)		1	1	
59	603 00 33-74	Paint, Touch-Up – Dark Gray	1	1	1	
59	603 00 33-75	Paint, Touch-Up – Dark Green	1	1	1	
59	603 00 33-76	Paint, Touch-Up – Gray	1	1	1	
59	603 00 33-77	Paint, Touch-Up – Red	1	1	1	
59	603 00 33-78	Paint, Touch-Up – Royal Blue (Pacific Blue)		1	1	
59	603 00 33-79	Paint, Touch-Up – White	1	1	1	
60	603 00 33-80	Paint, Precedent Underbody – Gray.....		1	1	
61	603 00 33-81	Paint Pen, Touch-Up, Precedent Underbody – Black.....		1	1	
		Please refer to the maintenance and service manual for proper tool application.				

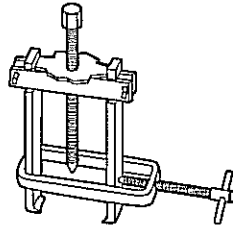
**15
G
E
D**



62



63



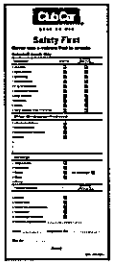
64



65



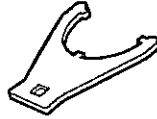
66



67



68



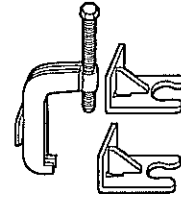
69



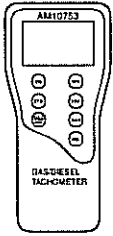
70



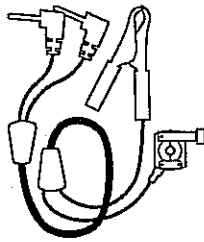
71



72



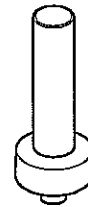
73



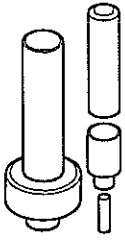
74



75



76



77



83



84



85



86

MAINTENANCE AND SERVICE TOOLS, CONTINUED

ITEM	PART NO.	DESCRIPTION	QTY DIESEL	QTY GAS	QTY ELEC
		1 2 3 4			
62	603 00 19-10	Piston Ring Compressor Kit (FE290, FE350 and FE400 engines)		1	
63	603 00 19-11	Piston Ring Pliers (for Kawasaki Engines)		1	
64	603 00 19-13	Puller, Special Use. (for Kubota D722 Diesel Engines)	1		
65	603 00 19-14	Retaining Ring Pliers, 45° External	1	1	1
66	603 00 19-15	Retaining Ring Pliers, 90° Internal	1	1	1
67	603 00 19-16	Safety First Card (50 per pack)	1	1	1
68	603 00 19-17	Seal Puller	1	1	1
69	603 00 19-18	Spanner Wrench (for coil over shock front suspension vehicles only)	1	1	
70	603 00 19-19	Steering Column Bearing Press Tool		1	1
71	603 00 19-20	Steering Column Retaining Ring Tool		1	1
72	603 00 19-21	Steering Wheel Puller Tool	1	1	1
73	603 00 20-07	Tachometer (includes gasoline engine pick up lead only)	1	1	
74	603 00 19-23	Tachometer Diesel Probe (for use with item 73)	1		
75	603 00 19-24	Transaxle Axle Seal Tool		1	
76	603 00 19-25	Transaxle Pinion Seal Tool		1	
77	603 00 19-26	Transmission Tool Kit		1	
78	603 00 00-05	Tune-Up Kit, All OHV (for Kawasaki Engines) (includes air filter, spark plug, oil filter, fuel filters) (not shown)		1	
79	603 00 00-35	Tune-Up Kit, Gx620 (for Honda Engines) (includes air filter, spark plug, oil filter, fuel filters) (not shown)		1	
80	603 00 00-40	Tune-Up Kit, D722 (for Kubota Engines) (Includes air filter, oil filter, fuel filters, water separator filter) (not shown)	1		
81	603 00 36-13	Tune-Up Kit, Precedent (for FE290/350 Engines) (includes air filter, spark plug, oil filter, fuel filters) (not shown)			1
82	603 00 19-28	Valve Clearance Adjuster Screw Holder (for FE290 engines only)		1	
83	603 00 19-29	Valve Guide Driver (for Honda GX620 Gasoline Engines)		1	
84	603 00 19-30	Valve Guide Reamer (FE290, FE350, and FE400 only).....		1	
85	603 00 19-31	Valve Guide Reamer, 6.6 mm (for Honda GX620 Gasoline Engines)		1	

15

G

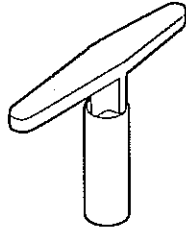
E

D

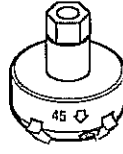
15
G
E
D



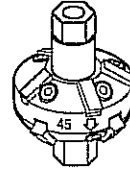
87



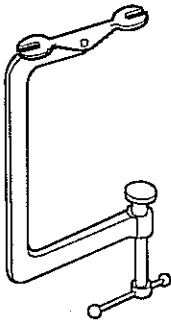
88



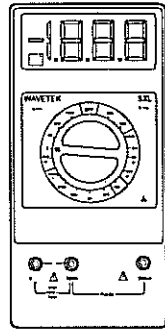
89



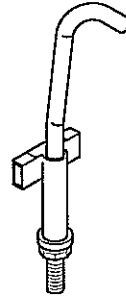
90



91



92



93

MAINTENANCE AND SERVICE TOOLS, CONTINUED

ITEM	PART NO.	DESCRIPTION	QTY DIESEL	QTY GAS	QTY ELEC
		1 2 3 4			
86	603 00 19-27	Valve Seat Cutter Guide		1	
87	603 00 18-78	Valve Seat Cutter T-Wrench		1	
88	603 00 18-36	Valve Seat Cutter, 45° (32 mm diameter) (for FE290 engines only)		1	
89	603 00 01-00	Valve Seat Cutter, 45°/30° (35 mm diameter)		1	
90	603 00 00-43	Valve Spring Compressor		1	
91	603 00 00-38	Volt Ohm Meter	1	1	1
92	603 00 27-87	Tool, Tensioning, Starter Generator (For gasoline vehicles)		1	

15

G

E

D

INDEX

Part Number and Page

531 30 07-38	12-5	531 30 83-98	1-31	603 00 01-67	5-5
531 30 71-06	4-15	531 30 84-04	1-11	603 00 01-68	5-5
531 30 71-07	4-15	531 30 84-05	1-11	603 00 01-69	5-5
531 30 71-09	4-13	603 00 00-01	15-7	603 00 01-70	5-5
531 30 71-10	4-15	603 00 00-02	6-27, 6-29	603 00 01-72	1-41
531 30 71-13	4-15	603 00 00-03	15-3	603 00 01-73	10-7, 10-11
531 30 71-14	4-15	603 00 00-05	15-9	603 00 01-74	10-7, 10-11
531 30 71-25	1-29	603 00 00-08	10-3	603 00 01-75	4-13
531 30 71-35	11-3	603 00 00-10	10-31, 10-33, 10-35	603 00 01-84	1-25, 1-27
531 30 71-36	1-29	603 00 00-33	2-3	603 00 01-85	10-3, 10-5, 10-9
531 30 71-46	1-29	603 00 00-34	2-3	603 00 02-20	14-9
531 30 73-75	4-15	603 00 00-35	15-9	603 00 02-22	1-41, 1-43, 4-7
531 30 74-12	1-19	603 00 00-37	10-19	603 00 02-24	6-27, 6-29
531 30 74-17	1-23, 1-29	603 00 00-38	15-11	603 00 02-26	1-41
531 30 74-39	1-43	603 00 00-39	7-7, 7-11	603 00 02-29	1-37, 14-3
531 30 74-40	13-17	603 00 00-40	15-9	603 00 02-32	1-41
531 30 74-41	1-43	603 00 00-41	9-11	603 00 02-34	13-3
531 30 81-18	1-23, 1-29	603 00 00-42	10-9	603 00 02-36	13-3
531 30 81-20	1-23, 1-29	603 00 00-43	15-11	603 00 02-41	10-7, 10-11
531 30 81-21	1-23, 1-29	603 00 00-51	10-7, 10-11	603 00 02-42	10-7, 10-11
531 30 81-22	1-29	603 00 00-54	1-25, 1-27, 1-41, 6-19, 6-21	603 00 02-46	1-35
531 30 81-23	1-23, 1-29	603 00 00-55	1-35	603 00 02-50	1-37
531 30 81-24	1-29	603 00 00-56	1-39	603 00 02-54	1-37
531 30 81-39	12-9, 12-11	603 00 00-57	1-37	603 00 02-55	1-37, 1-41
531 30 81-40	12-9, 12-11	603 00 00-58	1-25, 1-27	603 00 02-56	1-37
531 30 81-68	1-13	603 00 00-61	10-7, 10-11	603 00 02-61	6-19, 6-21
531 30 81-71	1-11	603 00 00-63	4-13, 4-15	603 00 02-63	1-37
531 30 81-72	10-23	603 00 00-64	6-19, 6-21	603 00 02-64	5-13
531 30 81-75	1-7	603 00 00-65	6-27, 6-29	603 00 02-67	6-19, 6-21
531 30 81-76	14-5	603 00 00-78	1-37, 1-41, 6-27, 6-29	603 00 02-78	1-35
531 30 81-79	1-17	603 00 00-80	1-37	603 00 02-81	5-11
531 30 82-44	1-21	603 00 00-86	13-3	603 00 03-29	8-9, 10-15
531 30 82-50	6-23, 6-25	603 00 00-87	13-3	603 00 03-39	8-7
531 30 82-51	1-25	603 00 00-89	1-41	603 00 03-65	1-39
531 30 82-59	1-7	603 00 00-91	1-43	603 00 03-66	6-23, 6-25
531 30 82-72	1-39	603 00 00-93	4-9, 4-13	603 00 03-71	13-3
531 30 82-87	4-9	603 00 00-94	13-3	603 00 03-76	13-3
531 30 82-88	4-13	603 00 00-95	1-37, 1-39, 5-11	603 00 03-79	1-11
531 30 82-93	1-27	603 00 00-96	1-37, 1-39	603 00 03-84	1-39
531 30 83-36	2-3	603 00 00-97	10-7, 10-11	603 00 03-85	1-39
531 30 83-42	2-3	603 00 01-00	15-11	603 00 04-34	1-39
531 30 83-43	2-3	603 00 01-06	1-39	603 00 04-36	13-11
531 30 83-44	2-3	603 00 01-07	1-37, 1-41	603 00 04-37	7-3, 8-3, 9-3
531 30 83-45	2-3	603 00 01-08	1-41	603 00 04-39	8-3
531 30 83-47	2-3	603 00 01-09	4-13	603 00 04-40	7-3, 8-3, 9-3
531 30 83-75	5-7	603 00 01-16	6-27, 6-29	603 00 04-41	7-3
531 30 83-76	6-9	603 00 01-19	10-23, 10-25	603 00 04-42	14-3
531 30 83-79	1-7	603 00 01-23	3-3	603 00 04-43	7-15, 10-9
531 30 83-84	4-7	603 00 01-25	1-23, 1-25, 1-27	603 00 04-45	10-27, 10-29
531 30 83-86	6-25	603 00 01-30	4-13	603 00 04-46	7-13
531 30 83-88	11-3	603 00 01-35	6-19, 6-21	603 00 04-48	1-11
531 30 83-89	5-7	603 00 01-36	1-37	603 00 04-49	7-3, 9-3
531 30 83-92	1-7	603 00 01-49	10-3	603 00 04-50	7-3, 9-3
531 30 83-97	1-31	603 00 01-57	7-3, 9-3	603 00 04-51	7-3, 9-3
		603 00 01-61	6-23, 6-25	603 00 04-52	1-25, 1-27
		603 00 01-66	5-5	603 00 04-54	4-7, 4-11

INDEX

603 00 04-57	10-9	603 00 08-13	1-41	603 00 09-49	10-11
603 00 04-62	3-5	603 00 08-14	3-5	603 00 09-50	10-7
603 00 04-65	10-3, 10-5, 10-9	603 00 08-16	1-41	603 00 09-51	10-11
603 00 04-66	3-3	603 00 08-66	5-7, 5-13	603 00 09-52	10-11
603 00 04-91	1-17	603 00 08-67	13-21	603 00 09-53	4-9
603 00 05-03	10-3, 10-5, 10-9	603 00 08-69	1-7, 1-11, 1-13, 1-17, 7-15, 10-9, 14-9	603 00 09-55	13-21
603 00 05-12	11-5, 11-7, 14-9	603 00 08-71	5-3	603 00 09-56	5-7
603 00 05-13	9-3	603 00 08-72	1-9	603 00 09-58	11-9
603 00 05-14	9-3	603 00 08-73	4-9	603 00 09-60	11-3
603 00 05-21	1-35, 1-37	603 00 08-74	4-9, 12-3, 12-5	603 00 09-61	11-7
603 00 05-49	5-5	603 00 08-75	1-25, 1-27, 5-3, 5-11	603 00 09-63	14-11
603 00 05-50	5-5	603 00 08-78	1-35	603 00 09-64	14-3
603 00 05-51	5-5	603 00 08-82	1-35	603 00 09-65	10-9
603 00 05-52	5-5	603 00 08-85	7-15	603 00 09-66	7-3, 9-3
603 00 05-53	5-5	603 00 08-90	6-27, 6-29	603 00 09-68	10-5
603 00 05-58	1-25, 1-27, 4-9, 11-3	603 00 08-91	5-7	603 00 09-69	10-9
603 00 05-73	1-41	603 00 08-92	5-3	603 00 09-70	14-5, 14-9
603 00 05-76	6-27, 6-29	603 00 08-94	5-9	603 00 09-71	14-5, 14-9
603 00 05-79	1-25, 1-27	603 00 08-95	5-11	603 00 09-72	14-9
603 00 06-07	15-7	603 00 08-97	5-3	603 00 09-73	14-3, 14-9
603 00 06-13	1-35	603 00 08-98	4-3	603 00 09-74	14-3, 14-9
603 00 06-16	1-41	603 00 09-06	12-13	603 00 09-75	10-35
603 00 06-25	1-7	603 00 09-07	9-3	603 00 09-76	10-31, 10-33, 10-35, 12-3, 12-5
603 00 06-31	6-23, 6-25	603 00 09-08	7-3, 8-3, 9-3	603 00 09-77	14-3
603 00 06-32	4-13	603 00 09-09	7-3, 8-3, 9-3	603 00 09-82	12-9
603 00 06-33	6-23, 6-25	603 00 09-11	7-15, 8-13	603 00 09-83	12-3, 12-5
603 00 06-36	5-5	603 00 09-12	13-11	603 00 09-84	9-3
603 00 06-82	5-5	603 00 09-13	13-7	603 00 09-85	9-3
603 00 06-84	5-5, 5-7	603 00 09-15	13-11	603 00 09-86	7-3
603 00 06-89	1-25, 1-27	603 00 09-18	12-7	603 00 09-92	6-19, 6-21
603 00 06-95	1-25, 1-27	603 00 09-22	6-25	603 00 09-93	6-19, 6-21
603 00 06-96	1-21	603 00 09-23	13-3	603 00 09-94	6-19, 6-21
603 00 06-99	1-25	603 00 09-24	13-3	603 00 09-96	9-51, 11-9
603 00 07-27	6-23	603 00 09-26	13-21	603 00 10-00	10-3, 10-5, 10-9
603 00 07-28	6-23	603 00 09-27	14-9	603 00 10-01	1-35, 1-39
603 00 07-36	1-25, 1-27	603 00 09-28	14-9	603 00 10-02	14-5
603 00 07-59	4-7	603 00 09-29	14-3	603 00 10-03	14-9
603 00 07-60	6-23, 6-25	603 00 09-30	14-3	603 00 10-05	10-9
603 00 07-61	6-23, 6-25	603 00 09-31	10-33	603 00 10-06	10-9
603 00 07-66	4-13	603 00 09-32	10-35	603 00 10-07	10-9
603 00 07-73	1-25, 1-27	603 00 09-33	10-31, 10-33, 10-35	603 00 10-08	10-9
603 00 07-74	1-25, 1-27	603 00 09-34	14-3	603 00 10-09	10-9
603 00 07-77	1-25, 1-27	603 00 09-35	4-11	603 00 10-15	7-15, 10-9
603 00 07-80	1-19, 1-37	603 00 09-36	13-5	603 00 10-16	14-9
603 00 07-81	1-37, 1-39	603 00 09-37	7-3, 9-3	603 00 10-21	14-3
603 00 07-98	4-7, 4-11	603 00 09-38	12-9, 12-11	603 00 10-22	5-7
603 00 08-01	6-23, 6-25	603 00 09-39	12-13	603 00 10-26	13-7
603 00 08-02	1-41	603 00 09-40	10-19	603 00 10-27	13-7
603 00 08-03	1-41	603 00 09-41	5-13	603 00 10-28	13-7
603 00 08-04	1-41	603 00 09-43	10-31, 10-33, 10-35	603 00 10-29	13-7
603 00 08-05	1-41	603 00 09-44	5-13	603 00 10-30	13-7
603 00 08-06	1-41	603 00 09-45	4-5	603 00 10-31	13-7
603 00 08-07	1-41	603 00 09-46	4-5	603 00 10-32	13-7
603 00 08-08	1-41	603 00 09-47	4-7	603 00 10-33	13-7
603 00 08-09	1-41	603 00 09-48	4-7	603 00 10-34	13-7
603 00 08-11	3-3				

INDEX

603 00 10-35	13-7	603 00 11-27	1-39	603 00 12-07	9-5, 9-11
603 00 10-36	13-7	603 00 11-28	9-3	603 00 12-08	9-33
603 00 10-37	13-7	603 00 11-32	5-11	603 00 12-09	9-5
603 00 10-38	13-7	603 00 11-33	5-11	603 00 12-10	9-5
603 00 10-39	13-7	603 00 11-34	5-11	603 00 12-12	9-11, 9-51
603 00 10-40	13-7	603 00 11-37	1-25, 1-27	603 00 12-13	9-11
603 00 10-41	13-7	603 00 11-38	1-25, 1-27	603 00 12-14	9-11
603 00 10-42	13-7	603 00 11-41	4-9	603 00 12-15	9-11
603 00 10-43	13-7	603 00 11-42	7-15	603 00 12-16	9-11
603 00 10-44	13-9	603 00 11-43	4-9, 10-21, 10-23, 10-25	603 00 12-17	9-11
603 00 10-45	13-7	603 00 11-44	4-9	603 00 12-18	9-11
603 00 10-46	13-9	603 00 11-45	1-25, 1-27	603 00 12-19	9-11
603 00 10-47	13-9	603 00 11-46	4-11	603 00 12-20	9-11
603 00 10-48	13-9	603 00 11-47	5-13	603 00 12-21	9-21
603 00 10-49	1-25, 1-27	603 00 11-48	5-13	603 00 12-22	9-27
603 00 10-50	6-27, 6-29	603 00 11-52	10-11	603 00 12-23	9-27
603 00 10-51	6-27	603 00 11-54	10-27, 10-29	603 00 12-24	9-27
603 00 10-52	6-27	603 00 11-55	14-9	603 00 12-25	9-27
603 00 10-55	4-11, 10-27, 10-29	603 00 11-56	12-5	603 00 12-26	9-27
603 00 10-56	7-15	603 00 11-57	12-3, 12-5	603 00 12-27	9-27
603 00 10-57	7-15, 8-13	603 00 11-58	12-5	603 00 12-28	9-21, 9-27
603 00 10-62	5-11	603 00 11-59	12-5	603 00 12-29	9-27
603 00 10-65	1-31	603 00 11-62	4-3, 4-5	603 00 12-30	9-23, 9-27
603 00 10-66	1-31	603 00 11-63	10-29	603 00 12-31	9-27
603 00 10-67	6-19, 6-21	603 00 11-64	12-9	603 00 12-32	9-27
603 00 10-68	6-19, 6-21	603 00 11-65	7-3, 9-3	603 00 12-33	9-27
603 00 10-69	6-29	603 00 11-66	7-3, 9-3	603 00 12-34	9-21
603 00 10-70	6-29	603 00 11-67	6-27, 14-3	603 00 12-35	9-21
603 00 10-72	13-21	603 00 11-68	7-15	603 00 12-36	9-7, 9-21
603 00 10-93	1-25, 1-27	603 00 11-69	7-3, 9-3, 12-13	603 00 12-37	9-21
603 00 10-94	10-21	603 00 11-70	5-7	603 00 12-38	9-21
603 00 10-99	7-15, 8-13	603 00 11-71	8-3, 13-5	603 00 12-39	9-21
603 00 11-00	7-15	603 00 11-72	13-5	603 00 12-40	9-21
603 00 11-02	1-25, 1-27, 3-5	603 00 11-74	1-11, 1-31	603 00 12-41	9-39
603 00 11-03	3-5	603 00 11-75	4-3, 4-5	603 00 12-42	9-21
603 00 11-04	3-5	603 00 11-76	1-43	603 00 12-43	9-21
603 00 11-05	3-5	603 00 11-77	6-19, 6-21	603 00 12-44	9-21
603 00 11-06	3-3	603 00 11-78	6-21	603 00 12-45	9-17
603 00 11-07	3-5	603 00 11-82	10-19	603 00 12-46	9-17
603 00 11-09	3-3	603 00 11-83	4-3, 4-5	603 00 12-47	9-17
603 00 11-11	7-3, 9-3	603 00 11-85	14-3	603 00 12-48	9-17
603 00 11-12	13-5	603 00 11-86	7-3, 9-3	603 00 12-49	9-17, 9-51
603 00 11-13	9-3	603 00 11-87	10-11	603 00 12-50	9-15
603 00 11-14	7-3	603 00 11-88	5-11	603 00 12-51	9-7
603 00 11-15	10-19	603 00 11-89	10-23, 10-25	603 00 12-52	9-7
603 00 11-16	13-21	603 00 11-91	6-29, 9-3	603 00 12-53	9-7
603 00 11-17	13-21	603 00 11-93	10-25	603 00 12-54	9-7
603 00 11-18	13-23	603 00 11-98	10-31, 10-33, 10-35	603 00 12-55	9-7
603 00 11-19	13-23	603 00 11-99	9-5	603 00 12-56	9-23, 9-53
603 00 11-20	13-23	603 00 12-00	9-5	603 00 12-57	9-23
603 00 11-21	13-23	603 00 12-01	9-5	603 00 12-58	9-23
603 00 11-22	13-23	603 00 12-02	9-5, 9-9, 9-51	603 00 12-59	9-23
603 00 11-23	5-7, 13-23	603 00 12-03	9-5	603 00 12-60	9-23
603 00 11-24	13-23	603 00 12-04	9-5	603 00 12-61	9-23
603 00 11-25	13-23	603 00 12-05	9-5	603 00 12-62	9-19, 9-51
603 00 11-26	5-11	603 00 12-06	9-5, 9-9	603 00 12-63	9-19, 9-51

INDEX

603 00 12-64	9-19	603 00 13-23	12-5	603 00 13-85	9-35
603 00 12-65	9-19	603 00 13-24	11-9	603 00 13-87	9-35
603 00 12-66	9-19	603 00 13-27	1-39	603 00 13-88	9-35
603 00 12-67	9-19, 14-13	603 00 13-28	9-23	603 00 13-89	9-35
603 00 12-68	9-23	603 00 13-29	9-23	603 00 13-90	9-35
603 00 12-69	9-23	603 00 13-30	9-23	603 00 13-91	9-35
603 00 12-70	9-23	603 00 13-31	9-23	603 00 13-92	9-39
603 00 12-71	9-23	603 00 13-32	9-23	603 00 13-93	9-39
603 00 12-72	9-23	603 00 13-33	9-23, 9-51	603 00 13-94	9-39
603 00 12-73	9-23	603 00 13-34	9-23	603 00 13-95	9-39
603 00 12-74	9-19	603 00 13-35	9-33	603 00 13-96	9-39
603 00 12-75	9-23	603 00 13-36	9-23	603 00 13-97	9-39
603 00 12-76	9-23	603 00 13-37	9-23	603 00 13-98	9-39
603 00 12-77	9-23	603 00 13-38	9-23	603 00 13-99	9-39
603 00 12-78	9-19	603 00 13-39	9-23, 9-53	603 00 14-00	9-39
603 00 12-79	9-19	603 00 13-40	9-23, 9-53	603 00 14-01	9-39
603 00 12-80	9-19	603 00 13-41	14-11	603 00 14-02	9-39
603 00 12-81	9-19	603 00 13-42	14-11	603 00 14-03	9-39
603 00 12-82	9-23	603 00 13-43	9-5, 9-33, 14-11	603 00 14-04	9-39
603 00 12-83	9-23	603 00 13-44	14-15	603 00 14-05	9-39
603 00 12-84	9-23	603 00 13-45	14-15	603 00 14-06	9-13, 9-51
603 00 12-85	9-23	603 00 13-46	14-15	603 00 14-07	9-13
603 00 12-86	1-37, 1-39	603 00 13-47	14-15	603 00 14-10	9-51
603 00 12-88	13-3	603 00 13-48	14-15	603 00 14-17	9-43
603 00 12-89	10-23, 10-25	603 00 13-49	9-51, 14-13	603 00 14-18	9-47
603 00 12-91	12-5	603 00 13-50	14-11	603 00 14-19	9-47, 9-51
603 00 12-92	5-7, 5-9, 5-11	603 00 13-51	14-11	603 00 14-20	9-47
603 00 12-94	12-11	603 00 13-53	9-51, 14-11	603 00 14-21	9-49
603 00 12-95	13-3	603 00 13-54	9-41	603 00 14-22	9-45
603 00 12-96	5-3	603 00 13-55	9-37	603 00 14-23	9-49
603 00 12-98	1-25, 1-27, 10-5, 13-3	603 00 13-56	9-37	603 00 14-24	9-49, 9-51
603 00 12-99	10-27	603 00 13-57	9-37	603 00 14-25	9-49
603 00 13-00	1-11, 1-31	603 00 13-58	9-37, 9-51	603 00 14-26	9-49
603 00 13-01	10-19	603 00 13-59	9-37	603 00 14-27	9-25
603 00 13-02	5-7	603 00 13-60	9-37	603 00 14-29	9-25
603 00 13-03	5-7	603 00 13-61	9-37	603 00 14-30	9-25
603 00 13-04	5-7	603 00 13-62	9-37, 9-51	603 00 14-31	9-25
603 00 13-05	4-11, 10-27, 10-29	603 00 13-63	9-37, 9-51	603 00 14-32	9-43
603 00 13-06	1-35, 4-11, 4-13, 4-15, 10-27, 10-29, 13-3, 14-9	603 00 13-64	9-37	603 00 14-33	9-43
603 00 13-07	4-7, 4-11	603 00 13-65	9-37	603 00 14-34	9-45
603 00 13-08	1-35, 1-39, 4-7, 4-11, 4-13, 4-15, 5-3, 5-11, 7-3, 7-15, 8-13, 9-3, 10-3, 10-9, 10-27, 10-29, 14-9	603 00 13-66	9-41	603 00 14-35	9-45
603 00 13-09	10-5	603 00 13-67	9-41	603 00 14-36	9-45
603 00 13-10	5-13	603 00 13-68	9-37	603 00 14-37	9-45
603 00 13-11	5-13	603 00 13-69	9-29, 9-37, 9-39, 9-51	603 00 14-38	9-45
603 00 13-12	5-7, 5-9, 5-11, 5-13	603 00 13-70	9-29	603 00 14-39	9-45
603 00 13-13	10-19	603 00 13-71	9-29	603 00 14-40	9-45
603 00 13-15	10-31, 10-33, 10-35, 11-3	603 00 13-72	9-29	603 00 14-41	9-45
603 00 13-16	9-3, 11-9	603 00 13-75	9-41	603 00 14-42	9-45
603 00 13-17	7-3, 9-3, 10-31, 10-33, 10-35	603 00 13-76	9-41	603 00 14-43	9-45
603 00 13-19	10-17	603 00 13-77	9-41	603 00 14-44	9-9
603 00 13-20	10-17	603 00 13-78	9-41	603 00 14-45	9-45
603 00 13-21	10-17	603 00 13-79	9-41	603 00 14-46	9-45
603 00 13-22	4-11	603 00 13-81	9-29	603 00 14-47	9-45
		603 00 13-82	9-29	603 00 14-48	9-45
		603 00 13-83	9-35	603 00 14-49	9-45, 9-51
		603 00 13-84	9-35	603 00 14-50	9-9

INDEX

603 00 14-51	9-9	603 00 15-08	7-13	603 00 15-66	7-7
603 00 14-52	9-45	603 00 15-09	7-13	603 00 15-67	7-7
603 00 14-53	9-45	603 00 15-10	7-13	603 00 15-68	7-5, 7-7
603 00 14-54	9-9	603 00 15-11	7-13	603 00 15-69	7-5
603 00 14-55	9-9, 9-51	603 00 15-12	7-13	603 00 15-70	7-5
603 00 14-56	9-11, 9-37, 9-47	603 00 15-13	7-13	603 00 15-71	7-5
603 00 14-57	9-21	603 00 15-14	7-13	603 00 15-72	7-5
603 00 14-59	9-7, 9-51	603 00 15-15	7-13	603 00 15-73	7-5
603 00 14-60	9-51, 14-11	603 00 15-16	7-13	603 00 15-74	7-5
603 00 14-61	10-17	603 00 15-17	7-13	603 00 15-75	7-5
603 00 14-62	7-7	603 00 15-18	7-13	603 00 15-76	7-5
603 00 14-63	10-17	603 00 15-19	7-13	603 00 15-77	7-5
603 00 14-64	10-17	603 00 15-20	7-13	603 00 15-78	7-5
603 00 14-65	10-17	603 00 15-21	7-13	603 00 15-79	7-5
603 00 14-66	10-17	603 00 15-22	7-13	603 00 15-80	7-5
603 00 14-67	10-17	603 00 15-23	7-13	603 00 15-81	7-5
603 00 14-68	10-17	603 00 15-24	7-13	603 00 15-82	7-7, 7-13
603 00 14-69	10-17	603 00 15-25	7-13	603 00 15-83	7-5
603 00 14-70	10-19	603 00 15-27	7-13	603 00 15-84	7-5
603 00 14-71	10-19	603 00 15-28	7-13	603 00 15-85	1-25, 1-27
603 00 14-72	10-19	603 00 15-29	7-13	603 00 15-86	1-15, 7-3, 9-3
603 00 14-73	10-19	603 00 15-30	7-13	603 00 15-87	7-15, 10-9
603 00 14-74	10-19	603 00 15-31	7-13	603 00 15-88	10-7
603 00 14-75	10-19	603 00 15-32	7-7, 7-13	603 00 15-89	1-31
603 00 14-76	10-19	603 00 15-33	7-11	603 00 15-90	13-21
603 00 14-77	10-19	603 00 15-34	7-11	603 00 15-91	13-21
603 00 14-78	10-19	603 00 15-35	7-11	603 00 15-92	13-21
603 00 14-79	10-19	603 00 15-36	7-11	603 00 15-93	13-21
603 00 14-80	10-19	603 00 15-37	7-11	603 00 15-97	5-13
603 00 14-81	10-19	603 00 15-38	7-11	603 00 15-99	5-13, 13-3
603 00 14-82	10-19	603 00 15-39	7-11	603 00 16-00	13-3
603 00 14-83	7-5, 10-19	603 00 15-40	7-11	603 00 16-01	14-3
603 00 14-84	7-11, 10-19	603 00 15-41	7-11	603 00 16-02	5-13
603 00 14-85	7-11, 10-19	603 00 15-42	7-11	603 00 16-03	5-5, 8-3
603 00 14-86	7-11, 10-19	603 00 15-43	7-11	603 00 16-05	4-9
603 00 14-87	7-9	603 00 15-44	7-11	603 00 16-06	5-9, 5-11
603 00 14-88	7-9	603 00 15-45	7-11	603 00 16-07	5-9, 5-11
603 00 14-89	7-9	603 00 15-46	7-11	603 00 16-08	12-9, 12-11
603 00 14-90	7-9	603 00 15-47	7-11	603 00 16-09	12-9, 12-11
603 00 14-91	7-9	603 00 15-48	7-11	603 00 16-10	12-11
603 00 14-92	7-9	603 00 15-49	7-11	603 00 16-11	12-9, 12-11
603 00 14-93	7-9	603 00 15-50	7-11	603 00 16-12	12-11
603 00 14-94	7-9	603 00 15-51	7-11	603 00 16-13	12-9, 12-11
603 00 14-95	7-9	603 00 15-52	7-11	603 00 16-14	12-11
603 00 14-96	7-9	603 00 15-53	7-11	603 00 16-15	12-9
603 00 14-97	7-9	603 00 15-54	7-11	603 00 16-16	12-9, 12-11
603 00 14-98	7-9	603 00 15-55	7-7	603 00 16-17	12-9, 12-11
603 00 14-99	7-9	603 00 15-56	7-7	603 00 16-18	12-9, 12-11
603 00 15-00	7-9	603 00 15-58	7-7, 7-13	603 00 16-19	12-9, 12-11
603 00 15-01	7-9	603 00 15-59	7-7	603 00 16-20	12-9
603 00 15-02	7-9	603 00 15-60	7-7	603 00 16-21	13-21
603 00 15-03	7-9	603 00 15-61	7-7	603 00 16-22	13-13, 13-17, 13-21
603 00 15-04	7-13	603 00 15-62	7-7	603 00 16-23	13-21
603 00 15-05	7-13	603 00 15-63	7-7	603 00 16-24	13-13, 13-17, 13-21
603 00 15-06	7-13	603 00 15-64	7-7	603 00 16-25	13-23
603 00 15-07	7-13	603 00 15-65	7-7	603 00 16-26	13-23

INDEX

603 00 16-28	13-13, 13-17, 13-21	603 00 17-01	9-5	603 00 17-86	13-15, 13-19
603 00 16-29	13-21	603 00 17-02	9-5	603 00 17-87	13-13, 13-17
603 00 16-30	13-21	603 00 17-03	9-5	603 00 17-88	13-23
603 00 16-31	13-23	603 00 17-04	9-5	603 00 17-89	13-23
603 00 16-32	13-21	603 00 17-05	9-9	603 00 17-90	13-23
603 00 16-33	13-21	603 00 17-06	9-9	603 00 17-91	13-23
603 00 16-35	12-13	603 00 17-07	9-9	603 00 17-92	1-41
603 00 16-36	12-13	603 00 17-08	9-9	603 00 18-10	9-11
603 00 16-37	12-13	603 00 17-09	9-9	603 00 18-13	9-13
603 00 16-38	12-13	603 00 17-11	9-11	603 00 18-14	9-21
603 00 16-39	12-13	603 00 17-12	9-11	603 00 18-15	9-31
603 00 16-40	13-15, 13-19	603 00 17-13	9-11	603 00 18-16	9-31
603 00 16-41	13-13, 13-17	603 00 17-15	9-15	603 00 18-17	9-31
603 00 16-42	13-13, 13-15, 13-17, 13-19	603 00 17-17	9-17	603 00 18-18	9-35
603 00 16-43	13-13, 13-17	603 00 17-18	9-19	603 00 18-19	9-33, 9-43
603 00 16-44	13-15, 13-19	603 00 17-19	9-23, 9-53	603 00 18-20	9-43
603 00 16-45	13-13, 13-15, 13-17, 13-19	603 00 17-20	9-23	603 00 18-21	9-33
603 00 16-46	13-15, 13-19	603 00 17-22	9-25	603 00 18-22	9-47
603 00 16-47	13-13, 13-17	603 00 17-23	9-27	603 00 18-23	9-13
603 00 16-48	13-13, 13-15, 13-17, 13-19	603 00 17-24	9-27	603 00 18-24	9-13
603 00 16-49	13-13, 13-15, 13-17, 13-19	603 00 17-25	9-29	603 00 18-25	9-13
603 00 16-51	13-13, 13-15, 13-17, 13-19	603 00 17-26	9-29	603 00 18-26	9-13
603 00 16-53	13-13, 13-17	603 00 17-28	9-29	603 00 18-27	9-13
603 00 16-54	13-13, 13-17	603 00 17-29	9-31	603 00 18-28	9-13, 14-11
603 00 16-55	13-13, 13-17	603 00 17-30	9-31	603 00 18-29	9-13
603 00 16-58	13-13, 13-17	603 00 17-31	9-11, 9-51	603 00 18-30	9-13
603 00 16-61	9-5	603 00 17-32	9-37	603 00 18-31	9-13
603 00 16-62	9-9	603 00 17-33	9-37	603 00 18-32	15-3
603 00 16-63	9-33	603 00 17-34	9-39	603 00 18-33	15-3
603 00 16-64	9-37	603 00 17-35	9-39	603 00 18-34	15-3
603 00 16-67	7-15, 10-9	603 00 17-36	9-41	603 00 18-35	15-3
603 00 16-68	10-19	603 00 17-38	9-33	603 00 18-36	15-11
603 00 16-69	13-5	603 00 17-39	9-33	603 00 18-37	15-3
603 00 16-70	4-3, 4-5	603 00 17-40	9-33	603 00 18-38	15-3
603 00 16-73	1-15, 1-23, 1-25, 1-27, 1-31	603 00 17-41	9-33	603 00 18-39	15-3
603 00 16-80	10-9	603 00 17-42	9-33	603 00 18-40	15-3
603 00 16-81	13-13, 13-17	603 00 17-43	9-33	603 00 18-41	15-3
603 00 16-82	7-15	603 00 17-44	9-33	603 00 18-42	15-3
603 00 16-83	7-15, 8-13	603 00 17-46	9-5	603 00 18-43	15-3
603 00 16-84	5-7	603 00 17-47	14-11	603 00 18-44	15-3
603 00 16-85	7-11	603 00 17-48	14-11	603 00 18-46	15-3
603 00 16-86	7-11	603 00 17-49	14-11	603 00 18-47	15-3
603 00 16-87	7-11	603 00 17-50	14-13	603 00 18-48	15-3
603 00 16-88	10-17	603 00 17-51	9-33	603 00 18-49	15-3
603 00 16-89	10-17	603 00 17-52	9-49	603 00 18-50	15-5
603 00 16-90	7-9	603 00 17-53	9-49, 11-9	603 00 18-51	15-5
603 00 16-91	7-9	603 00 17-55	9-51	603 00 18-52	15-5
603 00 16-92	7-9	603 00 17-56	9-51	603 00 18-53	15-5
603 00 16-93	7-9	603 00 17-57	9-53	603 00 18-54	15-5
603 00 16-94	7-9	603 00 17-58	9-23, 9-53	603 00 18-55	15-5
603 00 16-95	7-13	603 00 17-59	1-11	603 00 18-56	15-5
603 00 16-96	7-13	603 00 17-60	1-23, 1-25, 1-27	603 00 18-57	15-5
603 00 16-97	10-19	603 00 17-62	9-5, 9-51	603 00 18-58	15-5
603 00 16-98	10-31, 10-33, 10-35	603 00 17-63	5-13	603 00 18-59	15-5
603 00 16-99	10-31, 10-33, 10-35	603 00 17-78	7-5	603 00 18-60	15-5
603 00 17-00	9-5	603 00 17-80	13-13, 13-17	603 00 18-61	15-5

INDEX

603 00 18-62	15-5	603 00 29-36	15-5	603 00 34-33	1-11
603 00 18-63	15-5	603 00 29-38	15-5	603 00 34-34	1-11
603 00 18-64	15-5	603 00 29-39	15-5	603 00 34-35	1-15
603 00 18-67	15-5	603 00 29-40	15-5	603 00 34-36	1-15
603 00 18-75	15-5	603 00 29-41	15-5	603 00 34-37	1-15
603 00 18-78	15-11	603 00 29-47	11-3	603 00 34-38	1-15
603 00 18-81	15-7	603 00 29-63	1-39, 5-5, 10-21, 10-23, 10-25	603 00 34-39	1-15
603 00 18-83	15-7	603 00 29-92	15-7	603 00 34-40	1-15
603 00 18-86	15-7	603 00 30-09	12-11	603 00 34-41	1-15
603 00 18-87	15-7	603 00 30-45	1-7	603 00 34-43	1-7, 1-9, 1-17
603 00 18-89	15-7	603 00 30-57	10-7, 10-11	603 00 34-44	1-17
603 00 18-90	15-7	603 00 33-38	1-3	603 00 34-45	1-17
603 00 18-92	15-7	603 00 33-52	1-33	603 00 34-46	1-17
603 00 18-94	15-7	603 00 33-53	1-33	603 00 34-47	1-17
603 00 18-95	15-7	603 00 33-59	1-15	603 00 34-48	1-17
603 00 18-96	15-7	603 00 33-69	15-7	603 00 34-49	1-17
603 00 19-10	15-9	603 00 33-70	15-7	603 00 34-50	1-17
603 00 19-11	15-9	603 00 33-71	15-7	603 00 34-51	1-17
603 00 19-13	15-9	603 00 33-72	15-7	603 00 34-52	1-19
603 00 19-14	15-9	603 00 33-73	15-7	603 00 34-53	1-21
603 00 19-15	15-9	603 00 33-74	15-7	603 00 34-54	1-23
603 00 19-16	15-9	603 00 33-75	15-7	603 00 34-56	1-23
603 00 19-17	15-9	603 00 33-76	15-7	603 00 34-57	1-23
603 00 19-18	15-9	603 00 33-77	15-7	603 00 34-58	1-23
603 00 19-19	15-9	603 00 33-78	15-7	603 00 34-59	1-23
603 00 19-20	15-9	603 00 33-79	15-7	603 00 34-61	1-23
603 00 19-21	15-9	603 00 33-80	15-7	603 00 34-64	1-25, 1-27
603 00 19-23	15-9	603 00 33-81	15-7	603 00 34-66	1-27
603 00 19-24	15-9	603 00 33-81	15-7	603 00 34-68	1-29
603 00 19-25	15-9	603 00 33-91	1-3	603 00 34-69	1-29
603 00 19-26	15-9	603 00 33-93	1-5	603 00 34-70	1-29
603 00 19-27	15-11	603 00 33-94	1-3, 1-5	603 00 34-71	1-29
603 00 19-28	15-9	603 00 33-95	1-3, 1-5	603 00 34-72	1-31
603 00 19-29	15-9	603 00 33-97	1-7	603 00 34-73	1-33
603 00 19-30	15-9	603 00 33-98	1-7	603 00 34-74	1-33
603 00 19-31	15-9	603 00 33-99	1-7	603 00 34-75	1-23, 1-25, 1-27, 1-33
603 00 19-33	7-15	603 00 34-00	1-7	603 00 34-78	1-43
603 00 19-34	7-7	603 00 34-01	1-7	603 00 34-79	1-43
603 00 20-07	15-9	603 00 34-02	1-7	603 00 34-80	1-43
603 00 22-62	1-19	603 00 34-03	1-7	603 00 34-81	1-43
603 00 25-28	10-7	603 00 34-06	1-9	603 00 34-82	3-3
603 00 26-55	1-37	603 00 34-07	1-9	603 00 34-83	3-3
603 00 26-87	15-7	603 00 34-10	1-9	603 00 34-84	3-3
603 00 27-63	1-35	603 00 34-11	1-9	603 00 34-85	3-3
603 00 27-65	1-37	603 00 34-15	1-9	603 00 34-86	3-5
603 00 27-70	3-3	603 00 34-16	1-9	603 00 34-89	3-7
603 00 27-86	1-35	603 00 34-19	1-9	603 00 34-90	3-7
603 00 27-87	15-11	603 00 34-20	1-9	603 00 34-93	3-7
603 00 28-00	9-29, 9-51	603 00 34-22	1-9	603 00 34-94	3-7
603 00 28-01	9-29	603 00 34-24	1-9	603 00 34-97	3-9
603 00 28-26	13-15, 13-19	603 00 34-25	1-9	603 00 34-98	3-9
603 00 28-36	13-15, 13-19	603 00 34-26	1-9	603 00 35-01	3-9
603 00 28-85	9-3	603 00 34-27	1-9	603 00 35-02	3-9
603 00 29-24	4-13	603 00 34-28	1-9	603 00 35-05	3-11
603 00 29-25	4-13	603 00 34-29	1-9	603 00 35-06	3-11
603 00 29-35	15-5	603 00 34-32	1-11	603 00 35-09	3-11

INDEX

603 00 35-10	3-11	603 00 35-77	14-5	603 00 37-97	10-13
603 00 35-11	3-7, 3-9, 3-11, 3-13	603 00 35-78	14-5	603 00 37-98	10-13
603 00 35-12	3-7, 3-9, 3-11, 3-13	603 00 35-79	14-7	603 00 37-99	10-13
603 00 35-13	3-13	603 00 35-80	14-7	603 00 38-00	10-13
603 00 35-14	3-13	603 00 35-81	14-7	603 00 38-01	10-15
603 00 35-15	3-7, 3-9, 3-11, 3-13	603 00 35-82	14-7	603 00 38-02	10-15
603 00 35-16	3-7, 3-9, 3-11, 3-13	603 00 35-83	14-7	603 00 38-03	10-15
603 00 35-17	3-13	603 00 35-84	14-9	603 00 38-04	10-3
603 00 35-18	3-13	603 00 35-85	14-9	603 00 38-05	10-13
603 00 35-19	4-7	603 00 35-86	14-9	603 00 38-06	10-13
603 00 35-20	4-9	603 00 35-87	14-9	603 00 38-07	10-13
603 00 35-21	4-9	603 00 35-88	14-9	603 00 38-08	6-5
603 00 35-22	4-15	603 00 35-89	1-7	603 00 38-09	8-5, 8-11
603 00 35-23	4-15	603 00 35-90	1-9	603 00 38-10	8-7
603 00 35-24	4-15	603 00 35-91	1-31	603 00 38-11	8-7
603 00 35-25	4-15	603 00 35-92	7-3, 9-3, 11-9	603 00 38-12	8-7
603 00 35-26	4-15	603 00 35-93	7-7	603 00 38-13	8-7
603 00 35-28	5-3	603 00 35-94	7-15	603 00 38-14	8-7
603 00 35-29	5-5	603 00 35-95	9-11	603 00 38-15	8-7
603 00 35-32	5-7	603 00 35-96	9-29	603 00 38-16	8-5
603 00 35-33	5-7	603 00 35-97	9-31	603 00 38-17	8-5
603 00 35-34	5-7	603 00 35-98	9-33	603 00 38-18	8-15
603 00 35-35	5-7	603 00 35-99	10-29	603 00 38-19	8-9, 8-15
603 00 35-36	5-7	603 00 36-00	11-7	603 00 38-20	8-7, 8-9, 10-15
603 00 35-37	5-7	603 00 36-01	12-5	603 00 38-21	8-9
603 00 35-38	5-7	603 00 36-02	12-9	603 00 38-22	8-9
603 00 35-39	5-7	603 00 36-03	13-23	603 00 38-23	8-9
603 00 35-40	5-7	603 00 36-13	15-9	603 00 38-24	8-9
603 00 35-41	5-7	603 00 36-17	1-7	603 00 38-25	8-9
603 00 35-42	5-7	603 00 37-70	8-7	603 00 38-26	8-9
603 00 35-43	5-7	603 00 37-71	8-7	603 00 38-27	8-9
603 00 35-44	5-7	603 00 37-72	10-13	603 00 38-28	8-9
603 00 35-47	5-9, 5-11	603 00 37-73	10-13	603 00 38-29	8-9
603 00 35-48	5-9, 5-11	603 00 37-74	10-13	603 00 38-30	10-15
603 00 35-49	6-9	603 00 37-75	10-13	603 00 38-31	10-15
603 00 35-50	6-17	603 00 37-76	10-13	603 00 38-32	10-15
603 00 35-51	6-17	603 00 37-77	10-13	603 00 38-33	8-3
603 00 35-54	6-23, 6-25	603 00 37-78	10-13	603 00 38-34	10-27
603 00 35-55	6-23, 6-25	603 00 37-79	10-13	603 00 38-35	6-13
603 00 35-56	6-25	603 00 37-80	10-13	603 00 38-36	10-21
603 00 35-57	7-3	603 00 37-81	10-13	603 00 38-37	10-21
603 00 35-58	10-23	603 00 37-82	10-13	603 00 38-38	10-21
603 00 35-59	1-11, 11-3	603 00 37-83	10-13	603 00 38-39	8-13
603 00 35-60	13-3	603 00 37-84	10-13	603 00 38-40	10-27, 10-29
603 00 35-61	13-3	603 00 37-85	10-13	603 00 38-41	11-5
603 00 35-62	13-5	603 00 37-86	10-13	603 00 38-42	8-3
603 00 35-63	13-9	603 00 37-87	10-13	603 00 38-43	8-13
603 00 35-66	13-13	603 00 37-88	10-13	603 00 38-44	8-13
603 00 35-69	13-13, 13-17	603 00 37-89	10-13	603 00 38-45	8-3
603 00 35-70	13-13, 13-17	603 00 37-90	10-13	603 00 38-46	10-31
603 00 35-71	13-15, 13-19	603 00 37-91	10-13	603 00 38-47	8-13
603 00 35-72	13-15, 13-19	603 00 37-92	10-13	603 00 38-48	1-17
603 00 35-73	13-23	603 00 37-93	10-13	603 00 38-49	10-15
603 00 35-74	13-23	603 00 37-94	10-13	603 00 38-50	10-15
603 00 35-75	13-23	603 00 37-95	10-13	603 00 38-51	10-15
603 00 35-76	14-5	603 00 37-96	10-13	603 00 38-52	10-15

INDEX

- 603 00 38-53 10-15
603 00 38-54 8-9
603 00 38-55 8-9, 10-15
603 00 38-56 8-9
603 00 38-57 8-9
603 00 38-58 8-9
603 00 38-59 8-9
603 00 38-60 8-9
603 00 38-61 8-7
603 00 38-62 8-7
603 00 38-63 8-7
603 00 38-64 8-7
603 00 38-65 8-7
603 00 38-66 8-7
603 00 38-67 8-7
603 00 38-68 8-5
603 00 38-69 8-5
603 00 38-70 8-5
603 00 38-71 8-5
603 00 38-72 8-5
603 00 38-73 8-5
603 00 38-74 8-5
603 00 38-75 8-5
603 00 38-76 8-11
603 00 38-77 8-11
603 00 38-78 8-11
603 00 38-79 8-11
603 00 38-80 8-11
603 00 38-81 8-11
603 00 38-82 8-11
603 00 38-83 8-11
603 00 38-84 8-11
603 00 38-85 8-11
603 00 38-86 8-11
603 00 38-87 8-11
603 00 38-88 8-11
603 00 38-89 8-11
603 00 38-90 8-11
603 00 38-91 8-17
603 00 38-92 8-17
603 00 38-93 8-17
603 00 38-94 8-17
603 00 38-95 8-17
603 00 38-96 8-17
603 00 38-97 8-17
603 00 38-98 8-17
603 00 38-99 8-17
603 00 39-00 8-17
603 00 39-01 8-17
603 00 39-02 8-17
603 00 39-03 8-17
603 00 39-04 8-17
603 00 39-05 8-17
603 00 39-06 8-17
603 00 39-07 8-17
603 00 39-08 8-17
603 00 39-09 8-17
603 00 39-10 8-17
603 00 39-11 8-17
603 00 39-12 8-17
603 00 39-13 8-19
603 00 39-14 8-7
603 00 39-15 8-19
603 00 39-16 8-19
603 00 39-17 8-19
603 00 39-18 8-19
603 00 39-19 8-19
603 00 39-20 8-19
603 00 39-21 8-19
603 00 39-22 8-19
603 00 39-23 8-15
603 00 39-24 8-15
603 00 39-25 8-15
603 00 39-26 8-15
603 00 39-27 8-5
603 00 39-28 8-5, 8-9, 8-11, 8-15
603 00 39-29 8-15
603 00 39-30 8-15
603 00 39-31 8-15
603 00 39-32 8-15
603 00 39-33 8-15
603 00 39-34 8-15
603 00 39-35 8-15
603 00 39-36 8-15
603 00 39-37 8-15
603 00 39-38 8-15
603 00 39-39 8-15
603 00 39-40 8-15
603 00 39-41 8-15
603 00 39-42 8-15
603 00 39-43 8-15
603 00 39-44 8-15
603 00 39-45 8-15
603 00 39-46 8-15
603 00 39-47 8-15
603 00 39-48 8-15
603 00 39-49 8-15
603 00 39-50 8-3
603 00 39-51 8-13
603 00 39-52 8-13
603 00 39-53 8-13
603 00 39-54 8-13
603 00 39-55 8-3
603 00 39-56 11-5
603 00 39-57 6-5, 6-9, 6-13
603 00 39-58 8-13
603 00 39-59 8-3
603 00 39-60 8-3
603 00 39-61 8-3
603 00 39-62 8-11
603 00 39-63 10-21
603 00 39-64 8-7
603 00 39-65 8-9
603 00 39-66 10-13
- ## A
- A-arm 5-7
accelerator cable 10-23, 10-25
accelerator pedal 10-27, 10-29
accelerator pedal adjustment tool 15-3
accessory receptacle 6-23, 6-25
actuator 1-39
adapter
 actuator 1-39
 cable (IQDM) 15-7
 hose 7-15, 8-13
 intake, engine 10-19
 oil filter 7-15
 tube 7-15, 8-13, 10-9
adhesive, guide ring 15-3
adjuster
 hydraulic brake 15-7
adjuster, forward/aft 1-25, 1-27
adjuster, slide 5-7
adjuster, slider 1-25, 1-27
air clean support 10-31, 10-33, 10-35
air filter 10-31, 10-33, 10-35
air filter canister 10-31, 10-33, 10-35
air filter evacuator 10-31, 10-33, 10-35
alternator 9-33
arbor 15-3
arm
 A- 5-7
 rocker 9-45
 valve rocker 7-11
assembly
 accelerator pedal 10-29
 adjusting bolt 9-29
 alternator 9-33
 bearing case cover 9-19
 brake line 4-9
 brake pedal 4-11, 4-15
 brake rotor 4-9, 13-21
 bucket seat 1-25
 camshaft 7-13, 9-21
 case, main bearing 9-19
 connecting rod 7-13, 9-23
 crankcase cover 7-9
 cylinder head cover 9-13
 differential and carrier 13-23
 drain cock 9-5
 filler cap 4-7
 forward/reverse 13-3
 fuel camshaft 9-27
 fuel cap 10-11
 fuel filter 10-9
 fuel injection pump 9-35
 fuel pump 10-19

INDEX

- fuel tank vent 10-7, 10-11
 - gear case 13-13, 13-17, 13-23
 - governor 7-9
 - governor fork 9-41
 - governor fork lever 9-41
 - headlight harness 1-7
 - hinge, tilt bed 1-37
 - idle apparatus 9-29
 - inner ball joint 5-5
 - intake manifold 9-47
 - latch, tilt bed 1-37
 - muffler 13-5
 - nozzle holder 9-39
 - oil pump 9-17
 - oil pump cover 7-9
 - overflow pipe 9-39
 - pinion 13-23
 - piston ring 9-23, 9-53
 - reservoir, remote 4-7
 - rocker arm 9-45
 - speed plate 9-37
 - tailgate 1-41
 - tether 1-41
 - thermostat 14-11
 - tilt bed 1-37
 - tire 2-3
 - valve, lifter 7-13
 - valve, solenoid 10-17
 - water pump 14-13
 - wire 6-27, 6-29, 10-7, 10-11
 - assembly, sub-
 - front differential upright 5-7
 - gear case 13-13, 13-17
 - moveable drive clutch 12-9, 12-11
 - roller weight 12-9
 - spider 12-9, 12-11
 - stationary 12-9, 12-11
 - swingarm 5-13
 - weight clutch 12-9, 12-11
 - axle 13-21
 - axle tube 13-23
 - axle, rear, guard mounts 13-21
- ## B
- ball
 - check 9-21
 - crankshaft 9-23
 - governor 9-27
 - injection pump 9-27
 - steel 7-9
 - valve 9-11
 - ball joint 5-7, 10-23, 10-25
 - band, pipe 14-11, 14-15
 - banjo bolt 4-3, 4-5
 - bar clamp 14-9
 - bar, sway 5-11
 - barb, vent 10-3, 10-5, 10-9
 - base, seat holder 1-25, 1-27
 - battery clamp 6-27, 6-29
 - battery discharge machine 15-3
 - battery terminal protector spray 15-3
 - battery thermometer 15-3
 - battery, 12-volt 6-27, 6-29
 - bearing
 - ball (steering pinion) 5-5
 - lower pinion 5-5
 - needle 7-13, 13-7, 13-13, 13-15, 13-17, 13-19, 13-23
 - radial ball 7-13
 - bearing and oil seal remover 15-3
 - bearing case cover 9-19
 - bearing case, main 9-19
 - bearing driver set 15-3
 - bearing puller 15-3
 - bearing puller wedge 15-3
 - bed, tilt 1-37
 - bellcrank 4-15, 13-15, 13-19
 - bellows 5-5, 13-21
 - belt, drive 12-7
 - belt, V- 9-33
 - bench seat back 1-23, 1-29
 - bench seat bottom 1-23
 - bench seat kit 1-29
 - block, differential spacer 13-5
 - block, engine 9-5
 - block, fuse 6-19, 6-21
 - bobbin, coil with press fit 13-7
 - body, fascia 1-7
 - body, front cowl 1-9
 - bolt
 - adjusting 9-29
 - banjo 4-3, 4-5
 - drain plug 7-9
 - bottle, coolant 14-5
 - bracket
 - actuator 1-39
 - anti-sway bar 5-11
 - bed latch 1-35
 - brake line 4-9
 - brake pedal 4-11
 - choke cable 10-19
 - cover inlet 12-5
 - draw latch 1-7
 - equalizer 4-13
 - hood support 1-17
 - hydraulic line 4-9, 5-9, 5-11
 - muffler 11-3
 - oil filter mount 7-15, 8-13
 - park brake 4-15
 - park brake bellcrank 4-15
 - radiator support 14-9
 - rocker arm 9-45
 - seat back 1-23, 1-29
 - seat belt 1-23, 1-29
 - seatbelt 1-25, 1-27
 - steering column 1-11
 - transmission cable 7-3, 9-3
 - transmission mounting 7-3, 9-3
 - brake adjustment tool 15-3
 - brake cable 4-13
 - brake cable release tool 15-3
 - brake caliper 4-3, 4-5
 - brake fluid reservoir 4-7
 - brake line 4-9
 - brake line, front 4-9
 - brake pad service kit 4-3, 4-5
 - brake pedal 4-11, 4-15
 - brake pedal adjustment tool 15-3
 - brake pedal tension tool 15-3
 - brake return spring 4-13
 - brake rotor 4-9, 13-21
 - breather cover 9-13
 - breather shield 9-13
 - breather tube 9-13, 10-19
 - breather valve 7-13, 9-13
 - brushguard 1-3
 - brushguard kit 1-3
 - bucket seat 1-25, 1-27
 - buckle, seatbelt 1-31
 - bullet, detent 13-15, 13-19
 - bumper 14-9
 - bed 1-35, 1-39
 - rubber 1-41
 - bumper plate 1-5
 - bushing 1-39
 - A-arm 5-7
 - anti-sway bar 5-11
 - flanged bronze 9-21
 - forward/reverse 13-3
 - greaseless 4-11, 10-27, 10-29
 - link 5-11
 - lower arm 5-7
 - Permiglite 13-7
 - piston pin 9-23, 9-53
 - pivot, urethane 5-13
 - plain 13-9
 - return line 10-11
 - self-lubricating 13-7
 - steel 1-37
 - teflon 5-13
 - urethane 1-37
 - button, thrust 13-7
 - buzzer, reverse 13-3
- ## C
- cable
 - accelerator 10-23, 10-25
 - bell crank 4-13, 4-15

INDEX

- brake 4-13
 - choke 10-23
 - IQDM 15-7
 - main bell crank 4-13
 - transmission 10-23, 10-25
 - cage, roll 13-7
 - calibration test module 15-3
 - caliper, brake 4-3, 4-5
 - cam installation tool 15-3
 - camshaft 7-13, 9-21
 - camshaft, fuel 9-27
 - canister, air filter 10-31, 10-33, 10-35
 - cap
 - air filter 10-31, 10-33, 10-35
 - bolt assembly 9-29
 - connecting rod 7-13
 - filler 4-7
 - fuel 10-11
 - fuel tank 10-7
 - inlet 12-5
 - noise suppressor 7-5, 7-7
 - oil filler 7-9
 - pressure 14-5
 - rubber 5-7, 5-13
 - sealing 9-5, 9-9
 - spark plug 7-5, 7-7
 - speed control plate 9-37
 - steering wheel 5-3
 - valve 9-45
 - cap, front corner 1-41
 - carburetor air vent tube 10-3, 10-5, 10-9
 - carburetor float level tool 15-7
 - carburetor, Honda 10-17
 - card, safety first 15-9
 - carrier, differential and 13-23
 - case
 - gear 9-11, 13-13, 13-17, 13-21, 13-23
 - governor ball 9-27
 - main bearing 9-19
 - case cover, bearing 9-19
 - center console cover 1-25, 1-27
 - chain, transmission 13-13, 13-17
 - charge coil 7-7
 - charger bezel tool 15-3
 - choke cable 10-23
 - clamp
 - bar 14-9
 - battery 6-27, 6-29
 - breather tube 9-13
 - hose 10-3, 10-5, 10-9
 - p- (fuel filter) 7-3, 9-3, 10-9
 - pipe 9-39
 - wire 7-7, 7-13
 - clevis pin 4-7, 4-11
 - clip
 - hair pin 1-41
 - body trim 1-9
 - brake line 4-9, 10-21, 10-23, 10-25
 - breather tube 10-19
 - governor 7-9
 - piston pin 7-13
 - return pipe 9-39
 - tube 10-19
 - wire harness 10-19
 - clutch alignment tool 15-5
 - clutch cover 12-9, 12-11
 - clutch housing 13-7
 - clutch removal tool 15-3
 - clutch tool kit 15-5
 - clutch, diesel 12-11
 - clutch, gas 12-9
 - coil
 - charge 7-7
 - ignition 7-7
 - pocket insert 13-7
 - coil & shock absorber 5-9, 5-11
 - coil with press-fit bobbin 13-7
 - collar, alternator assembly 9-33
 - collar, crankshaft 9-23
 - collar, idle gear 9-21
 - collar, lever 9-37
 - collet 9-45
 - column, steering 5-3
 - communication display module 15-5
 - compression gauge 15-5
 - compressor, piston ring 15-9
 - compressor, valve spring 15-11
 - connecting rod 7-13, 9-23
 - connector, relay 6-19, 6-21
 - continuity tester 15-5
 - coolant bottle 14-5
 - coolant exchanger 14-3
 - coolant fill tee 14-3
 - coolant lamp sensor 14-11
 - coolant pipe 14-7
 - coolant pipe mounting tab 14-7
 - coolant temperature indicator light 6-25
 - cooling fan 7-5, 14-3
 - cord, glow plug 9-39
 - corner cap 1-41
 - cotter, rue ring 5-13
 - cover 7-9
 - alternator assembly 9-33
 - bearing case 9-19
 - breather 7-13, 9-13
 - clutch 12-9, 12-11
 - crankcase 7-9
 - CVT 7-3, 9-3, 12-3, 12-5, 12-9, 12-11
 - cylinder head 9-13
 - electrical 6-19, 6-21
 - fan 7-5
 - fuel camshaft 9-5
 - head 7-11
 - head filler 7-11
 - heat proof 9-49
 - input 13-9
 - oil filter 7-9
 - oil pump 7-9
 - rocker switch hole 6-23, 6-25
 - thermostat 14-11
 - cover plate, output 13-7
 - cover, dash storage 1-17
 - cowl panel, driver-side 1-9
 - cowl panel, passenger-side 1-9
 - cowl, front body 1-9
 - crank 9-23
 - crankcase 7-9
 - crankcase cover 7-9
 - crankshaft 7-13, 9-23
 - C-type stop ring 5-5
 - cup holder 1-17
 - cup holder, seat 1-25, 1-27
 - cutler, valve seat 15-5, 15-11
 - CVT 12-13
 - CVT cover kit, sealed 12-5
 - CVT cover kit, unsealed 12-3, 12-5
 - cylinder head 7-11, 9-9
 - cylinder head cover 9-13
 - cylinder, master 4-7
- ## D
- dash 1-17
 - dash storage cover 1-17
 - decal
 - crush area warning 3-3
 - driver/passenger 3-5
 - ground warning 3-5
 - hot manifold warning 3-5
 - hot surface warning 1-25, 1-27, 3-5
 - Husqvarna tailgate 1-41
 - HUV 3-7, 3-9, 3-11, 3-13
 - instrument panel warning 1-29
 - operating instructions 1-29, 3-5
 - operator warning 3-3
 - ROPS warning 3-3
 - rotating parts 3-3
 - rotating parts and hot manifold 3-5
 - rotating parts warning 3-3
 - trailer hitch 3-3
 - under 16 warning 3-3
 - vehicle loading 3-3
 - winch cable warning 3-5
 - deflector oil 13-13, 13-17
 - diaphragm tube 10-19
 - diesel tachometer probe 15-9
 - differential and carrier 13-23
 - differential housing 13-23
 - differential, front 13-7

INDEX

diode, engine stop 7-7
dipstick, oil 7-9
dowel pin 13-7
drag link 5-5
drain cock 9-5
drive belt 12-7
drive clutch fixed sheave tool 15-5
drive clutch holder tool 15-5
drive clutch hub puller 15-5
drive clutch puller 15-5
drive clutch spider removal tool 15-5
drive clutch, moveable 12-9, 12-11
drive shaft 13-11
driven clutch base sheave 12-13
driven clutch cam puller 15-5
driven clutch puller plug 15-5
driven clutch spring compression base tool 15-5
driven clutch spring compression collar tool 15-5
driven clutch spring compression nut tool 15-5
dry moly lubricant 15-7

E

E-clip 4-13
elbow 10-11
emblem, Husqvarna 1-7
end, tie rod 5-5
engine block 9-5
engine, diesel, Kubota D722 with closed breather 9-3
engine, gasoline, Honda GX620 7-3
equalizer 4-13
exchanger, engine coolant 14-3
exhaust header 11-7
exhaust installation 11-3
exhaust pipe 11-3
exhaust valve 7-11, 9-45
extension, spring latch 1-37

F

fan shroud 14-3
fan, cooling 7-5, 14-3
fascia 1-7
fastener, push-in 6-19, 6-21
fender, front 1-7
fender, left rear 1-43
fender, rear 1-43
filler cap 4-7
filter
air 10-31, 10-33, 10-35
fuel 10-3, 10-9, 10-19
inlet cover 12-5
oil 7-15, 9-7, 9-11
filter, air, canister 10-31, 10-33, 10-35

fitting, thread-forming grease 5-13
flange, water 14-11
float set 10-17
floor mat 1-21
floor plate, bed 1-37
flywheel 7-7, 9-25
flywheel puller 15-7
FNR brush strip 1-17
FNR shifter bracket 7-3, 9-3
forward/reverse assembly 13-3
Forward/Reverse shifter 13-3
frame, tilt bed 1-37
front body cowl 1-9
front brake line 4-9
front gear case 13-13, 13-17
front camshaft 9-27
fuel cap 10-11
fuel filter 10-3, 10-9, 10-19
fuel gauge sending unit 10-7, 10-11
fuel gauge/hour meter 6-23, 6-25
fuel injection pump 9-35
fuel pickup tube 10-11
fuel pump 10-19
fuel system 10-9
fuel tank (diesel) 10-11
fuel tank (gasoline) 10-7
fuel tank cap 10-7
fuel tank strap 10-3, 10-5, 10-9
fuel tank vent 10-7, 10-11
fuel tank-diesel 10-11
fuel tank-gas 10-7
fuel tube 10-19
fuse
10-amp 6-19, 6-21
25-amp 6-19, 6-21
30-amp 6-21
fuse block 6-19, 6-21

G

gasket
bearing case 9-19, 9-51
breather cover 7-13
carburetor 10-19
carburetor adapter 10-19
carburetor bowl 10-17
case cover 7-9
control plate 9-37, 9-51
cover 9-19, 9-51, 12-5, 12-9, 12-11
cylinder head 7-11, 9-9, 9-51
cylinder head cover 7-11, 9-13
drain plug 9-7
exhaust 9-51, 11-7, 11-9
ex-manifold 9-49, 9-51
fuel pump 9-5, 9-51
gearcase 9-11, 9-51
head cover 9-51

head cover nut 9-29, 9-37, 9-39, 9-51
idle apparatus 9-29, 9-51
intake manifold 7-11, 9-47, 9-51, 10-19
liquid 15-7
nozzle 9-39
oil pump 9-17, 9-51
sending unit 10-7, 10-11
thermostat 9-51, 14-11
water flange 9-51, 14-11
water pump 9-51, 14-13

gauge, compression 15-5
gauge, fuel 6-23, 6-25
gauge, oil 9-15
gear
35t spur 13-15, 13-19
64t spur 13-15, 13-19
cam 9-21
case 9-11, 13-13, 13-17, 13-21, 13-23
crank 9-23
idle 9-21
injection pump 9-27
oil pump drive 9-17
ring 9-25, 13-7, 13-23
gear case, front 13-13, 13-17
gear ring engagement 13-15, 13-19
gear yoke 15-7
glow plug 9-39
glow plug cord 9-39
governor 7-9
governor fork lever 9-41
governor lever 9-37
governor shaft installation tool 15-7
governor shield 11-3
grid, screen 7-5
grill 1-7
grip tape, accelerator pad 10-27, 10-29
grip, tilt latch hand 1-37
grommet 10-7, 10-11, 10-19, 13-7
grommet tool 7-7
guard, brush 1-3
guard, brush, kit 1-3
guard, splash 1-11
guide
accelerator cable 10-27, 10-29
detent bullet 13-15, 13-19
exhaust valve 9-9
inlet valve 9-9
oil gauge 9-15
valve seat cutter 15-11
guide ring adhesive 15-3

H

hair pin clip 1-41
halfshaft 5-7
handle, park brake 4-15
handle, tilt steering 5-3

INDEX

hanger, engine 7-5
harness 1-39, 6-17
harness, headlight 1-7
harness, wire 6-9, 6-17
head, cylinder 7-11, 9-9
header, exhaust 11-7
headlamp 1-7
headlight harness 1-7
heat seal 9-39
hinge plate 1-23, 1-25, 1-27
hinge, hood 1-9
hinge, tilt bed 1-37
holder
 FNR strip brush 1-17
 fork lever 9-41
 screen grid 7-5
holder, cup 1-17
hood 1-9
hood latch 1-7
hood prop 1-9
hook, engine 9-9
hose 14-5
 coolant 14-3, 14-5, 14-9
 fuel filter 10-5, 10-9
 fuel pump 10-9
 fuel return 10-9
 inlet cover 12-5
 intake 10-31, 10-33, 10-35
 oil, remote 7-15
 outlet 12-3, 12-5
 overflow 9-39
 vent 7-3, 9-3, 13-5, 14-9
hour meter 6-23, 6-25
housing
 clutch 13-7
 differential 13-23
 Mate-N-Lock 13-7
 steering gear 5-5
hub, race/output 13-7
hydraulic brake adjuster 15-7
hydrometer 15-7

I

idle apparatus 9-29
idle gear 9-21
ignition coil 7-7
injection pump gear 9-27
inlet valve 7-11, 9-45
insert, carburetor adapter 10-19
instructions, bench seat 1-29
instructions, front skidplate 1-15
insulator, carburetor 10-19
intake adapter, engine 10-19
intake manifold 9-47
internal retaining ring pliers 15-7
IQ display module (IQDM) 15-7

isolator ring and bushing 7-3, 8-3, 9-3
isolator, twin stud 14-3

J

jet, main 10-17
joint
 ball 5-7, 10-23, 10-25
 eye 9-35
 pipe 9-11

K

keeper, push-close latch 1-17
key 8-7
 feather 9-17, 9-21, 9-23, 9-27
 woodruff 7-7, 7-13
key (pair) 6-23, 6-25
key switch 6-23, 6-25
key switch spacer 6-23, 6-25
keyswitch nut 6-23, 6-25
kick panel 1-43
kit
 bench seat 1-29
 bolt 13-7
 brake pad service 4-3, 4-5
 brake pedal adjustment tool 15-3
 clutch 13-7
 complete bench seat 1-29
 cover plate, input 13-9
 cover plate, output 13-7
 drain plug 13-7
 front skidplate hardware 1-15
 front steel skidplate 1-15
 gasket 9-51
 H-clip spring 13-7
 IQ display module (IQDM) 15-7
 neutral switch repair 13-15, 13-19
 nozzle holder 9-39
 piston rebuild 9-53
 race output hub 13-7
 rear axle gear repair 13-23
 repair, minor 13-7
 reverse gear repair 13-13, 13-17
 roll cage 13-7
 roller 13-7
 ROPS 1-33
 tune-up 15-9
knob, forward/reverse 13-3

L

latch 1-17
latch bracket 1-7
latch keeper 1-17
latch plate, tilt bed 1-35
latch, hood draw 1-7
latch, slam 1-41

latch, spring 1-41
latch, tilt bed 1-37
lever
 engine stop 9-37
 fork 9-41
 governor 9-37
 lost motion 10-29
 speed control 9-37

light

oil 6-23, 6-25
light switch 6-23, 6-25
light, coolant temperature indicator 6-25
limit switch 13-3
line, brake reservoir 4-7
link, drag 5-5
liquid gasket 15-7
low oil warning light 6-23, 6-25
lubricant, dry moly 15-7
lubricant, moly-teflon 15-7

M

main jet 10-17
manifold
 exhaust 9-49
 inlet 7-11, 10-19
 intake 9-47
mat, floor 1-21
Mate-N-Lock housing 13-7
Mate-N-Lock pin 13-7
meter, volt ohm 15-11
module
 calibration test 15-3
 communication display 15-5
moly-teflon lubricant 15-7
motor
 starter 7-7, 9-43
moveable drive clutch 12-9, 12-11
muffler 11-3, 13-5

N

nipple, remote oil 7-15
noise suppressor cap 7-5, 7-7
nongrease/spacers locker 13-23
nozzle holder 9-39
nozzle, main 10-17
nut, keyswitch 6-23, 6-25

O

oil deflector 13-13, 13-17
oil dipstick 7-9
oil filter 7-15, 9-7, 9-11
oil filter adapter 7-15
oil filter screen 7-9
oil pan 9-7
oil pressure switch 7-7, 9-5

INDEX

oil pump 9-17
oil pump drive gear 9-17
oil seal 7-9, 7-13, 9-11, 9-19, 13-7, 13-9
oil slinger 9-23
oil warning light, low 6-23, 6-25
O-ring 7-15, 9-5, 9-7, 9-9, 9-11, 9-13, 9-23,
9-31, 9-37, 9-51, 13-7, 13-9
overflow pipe 9-39

P

paint, touch-up 15-7
pan
center 1-25, 1-27
oil 9-7
seat 1-25, 1-27
panel
driver-side 1-43
driver-side cowl 1-9
front kick 1-43
left 1-41
passenger-side 1-43
passenger-side cowl 1-9
right 1-41
panel, front 1-41
park brake pedal 4-15
p-clamp (fuel filter) 7-3, 9-3, 10-9
pedal, accelerator 10-27, 10-29
pedal, brake 4-11, 4-15
pin, clevis 4-7, 4-11
pin, dowel 13-7
pin, Mate-N-Lock 13-7
pin, piston 7-13, 9-23, 9-53
pinion 13-23
pinion, steering 5-5
pipe
breather 9-47
coolant 14-7
exhaust 11-3, 11-9
injection 9-39
overflow 9-39
water 14-15
water return 9-13, 14-11
pipe band 14-11, 14-15
pipe clamp 9-39
pipe, coolant 14-7
piston 7-13, 9-23, 9-53
piston pin 7-13, 9-23, 9-53
piston ring 9-23, 9-53
piston ring compressor 15-9
piston ring pliers 15-9
piston ring set 7-13
pivot, park brake spacer 4-15
pivot, rocker arm 7-11
plate
armature 13-7
back 1-37, 1-39
cover, output 13-7
electrical 6-19, 6-21
engine block 9-5
engine mounting 7-3, 9-3
engine, left side 7-5
floor, bed 1-37
fuel/oil 7-15, 10-9
hinge 1-23, 1-25, 1-27
latch 1-35
push rod guide 7-11
shroud 7-5, 9-25
skid 1-13, 1-15
speed 9-37
speed control 9-37
thrust 13-7
plate, steering wheel center 1-29
pliers
internal retaining ring 15-7
piston ring 15-9
retaining ring 15-9
plug 13-13, 13-17
drain 9-7
driven clutch puller 15-5
engine block 9-5, 9-9, 9-11, 13-21
expansion 9-5
gearcase 13-13, 13-17, 13-21
glow 9-39
hole 6-23, 6-25
oil drain 13-7
oil fill 13-7
oil filler 9-13
spark 7-7, 7-11
press weldment 15-5
prop rod 1-35
prop shaft 13-11
prop, hood 1-9
protector spray, battery terminal 15-3
puller
bearing 15-3
clutch 15-3
drive clutch 15-5
drive clutch hub 15-5
driven clutch cam 15-5
flywheel 15-7
seal 15-9
special use tool 15-9
pulley
fan drive 9-33
water pump 9-33
pullrod, compression spring 10-27, 10-29
pump
fuel 10-19
fuel injection 9-35
oil 9-17
water 14-13
push rod 7-11, 9-21

R

rack guide pressure spring 5-5
rack, steering 5-5
radiator 14-3
radiator pipe 14-7
reamer, valve guide 15-9
receiver, rear 5-13
receptacle, accessory 6-23, 6-25
regulator, voltage 7-15
relay 6-19, 6-21
relay connector 6-19, 6-21
remover, bearing and oil seal 15-3
reservoir, brake fluid 4-7
reservoir, remote 4-7
retainer
spring (driven clutch) 12-13
valve spring 7-11, 9-45
retaining ring pliers 15-9
retractor, seat belt 1-31
reverse buzzer 13-3
ring
piston 9-23, 9-53
snap 5-5
ring gear 9-25, 13-7, 13-23
ring set, piston 7-13
ring, C-type stop 5-5
rivet, blind push 1-11
rocker arm 9-45
rocker arm pivot 7-11
rocker switch (lights) 6-23, 6-25
rod
connecting 7-13, 9-23
crank crank rod 9-23
prop 1-35
push 7-11, 9-21
roll cage 13-7
roller weight 12-9, 12-11
roller, torque 12-9, 12-11
ROPS
seat support 1-31
ROPS front base weldment 1-11
ROPS kit 1-33
ROPS support tube 1-33
ROPS top 1-33
ROPS warning decal 3-3
rotator, valve 7-11
rotor 8-11
rotor, brake 4-9, 13-21
rotor, oil pump 7-9
rubber bumper 1-41

S

safety first card 15-9
screen grid 7-5
screen, oil filter 7-9

INDEX

- screw, valve clearance adjuster 15-9
 - seal
 - dual lip 13-13, 13-15, 13-17, 13-19, 13-23
 - heat 9-39
 - oil 7-9, 7-13, 9-11, 9-19, 13-7, 13-9
 - steering pinion dust 5-5
 - triple lip 13-13, 13-17
 - valve stem 7-11, 9-45, 9-51
 - seal puller 15-9
 - seat
 - bucket 1-25, 1-27
 - valve 9-11
 - valve spring 7-11
 - seat back, bench 1-23, 1-29
 - seat belt retractor 1-31
 - seat bottom 1-23, 1-29
 - seat bottom, bench 1-23
 - seat bottom, bench 1-23
 - seat holder base 1-25, 1-27
 - seat support, ROPS 1-31
 - seat, bucket
 - bucket seat 1-27
 - seatbelt buckle 1-31
 - sending unit, fuel gauge 10-7, 10-11
 - sensor, coolant lamp 14-11
 - service kit, brake pad 4-3, 4-5
 - shaft
 - CVT adapter 9-3
 - drive 13-11
 - fork lever 9-41
 - governor arm 7-13
 - governor lever 9-37
 - idle gear 9-21
 - intermediate 13-15, 13-19
 - pinion 13-9
 - prop 13-11
 - rock arm 9-45
 - shift 13-15, 13-19
 - sheave, drive clutch base 12-13
 - sheave, driven clutch 12-13
 - shield, breather 9-13
 - shield, exhaust 11-9
 - shield, governor 11-3
 - shim 12-9, 12-11, 13-23
 - shim, armature plate 13-7
 - shim, injection pump 9-35
 - shim, latch plate 1-35
 - shock absorber 5-9, 5-11
 - shock absorber, front 5-9, 5-11
 - shroud 7-5
 - head 7-5
 - steering column 5-3
 - shroud, fan 14-3
 - side stringer 1-19
 - skid plate 1-13, 1-15
 - skidplate hardware kit 1-15
 - skidplate kit 1-15
 - slam latch 1-41
 - sleeve
 - crankshaft 9-23
 - governor 9-27
 - link 5-11
 - lower arm 5-7
 - upper suspension 5-7
 - slide adjuster 5-7
 - slide, adjuster 5-7
 - slider, governor 7-9
 - slinger, oil 9-23
 - snap ring 5-5
 - solenoid, stop 9-31
 - spacer 1-15
 - engine 9-3
 - key switch 6-23, 6-25
 - spacer block, differential 13-5
 - spacer pivot, park brake 4-15
 - spanner wrench 15-9
 - spark plug 7-7, 7-11
 - spark plug cap 7-5, 7-7
 - speed plate 9-37
 - spider 12-9, 12-11
 - splash guard 1-11
 - spray, battery terminal protector 15-3
 - spring
 - brake return 4-13
 - choke spring 10-21
 - compression 12-9, 12-11, 12-13
 - continuity 10-19
 - detent bullet 13-15, 13-19
 - exhaust 11-3
 - governor 9-41
 - governor idle 10-21
 - idle apparatus 9-29
 - pedal 10-27, 10-29
 - pedal stop 10-27, 10-29, 13-3
 - rack guide pressure 5-5
 - relief valve 7-9
 - return 9-37
 - rocker arm 9-45
 - start 9-9, 9-41
 - torsion 10-27, 10-29
 - valve 7-11, 9-11, 9-45
 - spring latch 1-41
 - sprocket 13-13, 13-17
 - start spring 9-41
 - starter 8-7
 - starter motor 7-7, 9-43
 - stay
 - alternator assembly 9-33
 - cylinder head 9-9
 - fuel pump 10-19
 - spring 9-11
 - stop solenoid 9-31
 - steel bushing 1-37
 - steering column 5-3
 - steering column bearing press tool 15-9
 - steering column bracket 1-11
 - steering column retaining ring tool 15-9
 - steering gear housing 5-5
 - steering pinion dust seal 5-5
 - steering rack 5-5
 - steering wheel 1-29, 5-3
 - steering wheel puller tool 15-9
 - stem, valve 2-3
 - stop solenoid stay 9-31
 - stopper, camshaft 9-21
 - stopper, fuel camshaft 9-27
 - strap, fuel tank 10-3, 10-5, 10-9
 - stringer, side 1-19
 - strip, FNR brush 1-17
 - stud 9-3, 9-35, 9-49, 14-15
 - engine 7-7
 - idle adjustment 9-29
 - self-clinching 1-41
 - support yoke (steering) 5-5
 - support, structural 1-17
 - sway bar 5-11
 - swingarm 5-13
 - switch
 - indicator (transmission) 13-15, 13-19
 - key 6-23, 6-25
 - limit 13-3
 - oil pressure 7-7, 9-5
 - switch, rocker, light 6-23, 6-25
- ## T
- 12-volt battery 6-27, 6-29
 - tab, coolant pipe mounting 14-7
 - tachometer 15-9
 - tachometer probe, diesel 15-9
 - tailgate 1-41
 - tailgate angle 1-41
 - tank, fuel (diesel) 10-11
 - tank, fuel (gasoline) 10-7
 - tape 1-19
 - tape, double-sided 1-23
 - tape, grip, accelerator pad 10-27, 10-29
 - tape, vinyl foam 1-37, 14-3
 - tappet 9-21
 - tee, coolant fill 14-3
 - temperature indicator light, coolant 6-25
 - tester, continuity 15-5
 - tether 1-41
 - thermometer, battery 15-3
 - thermostat 14-11
 - thread-forming grease fitting 5-13
 - thrust button 13-7
 - thrust plate 13-7

INDEX

tie rod end 5-5
tie wrap 1-39, 4-9, 4-13, 5-5, 10-21, 10-23, 10-25
tilt bed 1-37
tilt bed frame 1-37
tilt latch hand grip 1-37
tire 2-3
tire assembly, black 2-3
tire, mud 2-3
tool
 accelerator pedal adjustment 15-3
 belt tensioning, starter/generator 15-11
 brake adjustment 15-3
 brake cable release 15-3
 brake pedal adjustment 15-3
 brake pedal tension 15-3
 cam installation 15-3
 carburetor float level 15-7
 charger bezel 15-3
 clutch alignment 15-5
 cT-wrench 15-5
 drive clutch fixed sheave 15-5
 drive clutch holder 15-5
 drive clutch spider removal 15-5
 driven clutch spring compression base 15-5
 driven clutch spring compression collar 15-5
 driven clutch spring compression nut 15-5
 governor shaft installation 15-7
 grommet 7-7
 puller, special use 15-9
 steering column bearing press 15-9
 steering column retaining ring 15-9
 steering wheel puller 15-9
 transaxle axle seal 15-9
 transaxle pinion seal 15-9
 transmission 15-9
 valve guide driver 15-9
 valve seat cutter 15-5
tool kit, clutch 15-5
torque roller 12-9, 12-11
touch-up paint 15-7
track, prop rod 1-35
transaxle axle seal tool 15-9
transaxle housing 13-23
transaxle pinion seal tool 15-9
transmission cable 10-23, 10-25
transmission cable bracket 7-3, 9-3
transmission chain 13-13, 13-17
transmission tool 15-9
transmission, diesel parallel shaft 13-17
transmission, gasoline parallel shaft 13-13
tube
 axle 13-23

breather 9-13, 10-19
carburetor air vent 10-3, 10-5, 10-9
diaphragm 10-19
fuel 10-19
fuel pickup 10-11
ROPS support 1-33
tune-up kit 15-9
T-wrench tool 15-5

U

upright 5-7
upright, front differential 5-7
urethane bushing 1-37

V

valve 10-31, 10-33, 10-35
 breather 7-13, 9-13
 exhaust 7-11, 9-45
 fuel pickup tube 10-7
 inlet 7-11, 9-45
 lifter 7-13
 rocker arm 7-11
 rotator 7-11
 seat 9-11
 solenoid 10-17
 spring seat 7-11
valve clearance adjuster screw 15-9
valve guide driver tool 15-9
valve guide reamer 15-9
valve seat cutter 15-5, 15-11
valve seat cutter guide 15-11
valve seat cutter tool 15-5
valve seat t-wrench 15-11
valve spring compressor 15-11
valve stem 2-3
V-belt 9-33
vent barb 10-3, 10-5, 10-9
vent, housing, upper 13-23
vent, transmission 13-13, 13-17
volt ohm meter 15-11
voltage regulator 7-15

W

warning light, low oil 6-23, 6-25
water flange 14-11
water pump 14-13
wedge, bearing puller 15-3
weight clutch 12-9, 12-11
weldment
 press 15-5
 ROPS base front 1-11
weldment, accelerator pedal 10-27, 10-29
weldment, accelerator pedal bracket 10-27, 10-29
weldment, actuator bracket 1-39

weldment, air cleaner support 10-31, 10-33, 10-35
weldment, brake pedal 4-11
weldment, coolant pipe 14-7
weldment, Forward/Reverse shifter 13-3
weldment, Forward/Reverse shifter bracket 13-3
weldment, front dash
 dash weldment 1-11
weldment, lever, lost motion 10-29
weldment, receiver 5-13
weldment, seat support, ROPS 1-31
weldment, swingarm 5-13
weldment, tilt bed frame 1-37
wheel 2-3
wheel, steering 1-29, 5-3
wire assembly 6-27, 6-29, 10-7, 10-11
wire harness 1-39, 6-9, 6-17
wire harness, headlight 1-7
wrap, tie 1-39, 4-9, 4-13, 5-5, 10-21, 10-23, 10-25
wrench, spanner 15-9

Y

yoke, gear 15-7
yoke, support (steering) 5-5

Husqvarna Forest and Garden
7349 Statesville Rd.
Charlotte, NC 28269
USA
www.usa.husqvarna.com/huv