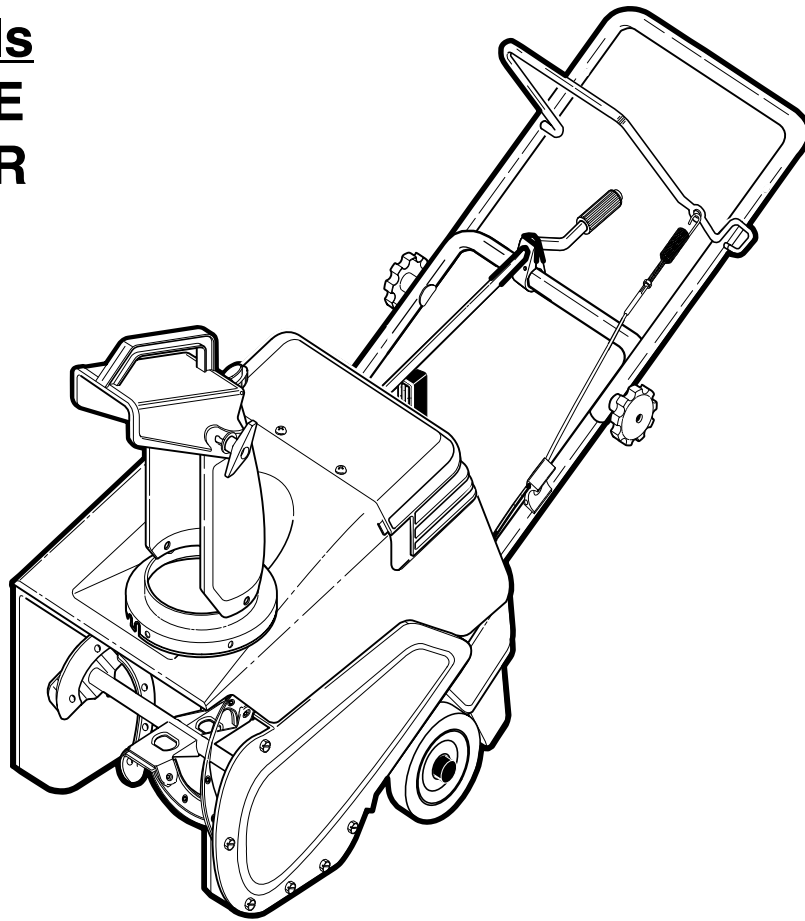




Operator's Manual

Models
521SSE
521SSR



**Read and keep this book for future reference.
This book contains important information on
SAFETY, ASSEMBLY, OPERATION, AND MAINTENANCE.**

PRODUCT INFORMATION

**The owner must be certain that all the
product information is included with the unit.
This information includes the INSTRUCTION
BOOKS, the REPLACEMENT PARTS and the WARRANTIES.
This information must be included to make sure state laws and
other laws are followed.**

INTRODUCTION

Congratulations on your purchase. This Snowthrower has been designed, engineered and manufactured to give you the best possible dependability and performance. However, like all mechanical products, your machine will occasionally require adjustment and maintenance. This handbook should be read before operating or performing and adjustments on your machine.

The instructions in this Owner's Manual are written for a person with some mechanical ability. Like most service books, not all the steps are described. Steps on how to loosen or tighten fasteners are steps anyone can follow with some mechanical ability. Read and follow these instructions before you use the unit.

Know your product:: If you understand the unit and how the unit operates, you will get the best performance. As you read this manual, compare the illustrations to the unit. Learn the location and the function of the controls. To help prevent an accident, follow the operating instructions and the safety rules. Keep this manual for future reference.

IMPORTANT: Many units are not assembled and are sold in cartons. It is the responsibility of the owner to make sure the assembly instructions in this manual are exactly followed. Other units are purchased in an assembled condition. On assembled units, it is the responsibility of the owner to make sure the unit is correctly assembled. The owner must carefully check the unit according to the instructions in this manual before it is first used.

The warranty, found in this manual, details the coverage and limitations of this product.

RESPONSIBILITY OF THE OWNER

It is the responsibility of the owner to follow the instructions below.

1. Carefully read and follow the rules for safe operation.
2. Follow all the assembly instructions.
3. Inspect the unit.
4. Make sure that the operator of the unit knows how to correctly use all standard and accessory equipment.
5. Operate the unit only with guards, shields, and other safety items in place and working correctly.
6. Correctly adjust the unit.
7. Service the unit only with authorized or approved replacement parts.
8. Complete all maintenance on the unit.

FOR YOUR RECORDS

DATE PURCHASED: _____

MODEL NO: _____

SERIAL NO: _____

STORE WHERE PURCHASED: _____



ADDRESS: _____

CITY: _____ STATE: _____

TELEPHONE : _____

Record this information about your unit so that you will be able to provide it in case of loss or theft.




RULES FOR SAFE OPERATION

  This manual contains safety information to make you aware of the hazards and risks associated with snow throwers, and how to avoid them. The snow thrower is designed and intended for removal of snow, and should not be used for any other purpose. It is important that you read and understand these instructions, and anyone operating the equipment read and understand these instructions.

WARNING

The engine exhaust from this product contains chemicals known to the State of California to cause cancer, birth defects, or other reproductive harm.

A signal word (DANGER, WARNING, or CAUTION) is used with the alert symbol to indicate the likelihood and the potential severity of injury. In addition, a hazard symbol may be used to represent the type of hazard.

-  **DANGER** indicates a hazard which, if not avoided, will result in death or serious injury.
-  **WARNING** indicates a hazard which, if not avoided, could result in death or serious injury.
-  **CAUTION** indicates a hazard which, if not avoided, might result in minor or moderate injury. **CAUTION**, when used **without** the alert symbol, indicates a situation that **could result in damage to the equipment**.


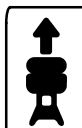









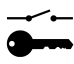

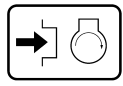


















Hazard Symbols and the meanings

These symbols are used on your equipment and defined in your operating manual. Review and understand the meanings. The use of one of these symbols combined with a signal word will alert you to potential hazards and how to avoid them.

	Safety Alert – Identifies safety information about hazards that can result in personal injury.
	Operator's Manual – Read and understand before performing any activity or running equipment.
	Rotating auger
	Fire
	Rotating impeller
	Explosion
	Toxic fumes
	Shock
	Rotating gears
	Hot Surface
	Thrown objects
	Never reach into rotating parts.
	Keep a safe distance from the equipment.
	Recommended ear protection for extended use.
	Shut off engine and remove spark plug connector before performing maintenance or repair work.


Operating Symbols and their meanings

These symbols are used on your equipment and defined in your operating manual. It is important that you review and understand the meanings. Failure to understand the symbols might result in harm to you.

	Oil		Forward
	Fuel		Neutral
	On Off		Reverse
	Primer bulb		Ignition On
	Throttle		Ignition Off
	Choke off		Ignition Key
	Choke on		Push to engage electric start
	Stop		Electric Start
	Slow		Engine Start
	Fast		Engine Run
	Engage		Engine Off
	Traction		Engage
	Auger Collector		Disengage
	Auger Clutch		LEFT
	Drive Clutch		RIGHT
			UP
			DOWN

RULES FOR SAFE OPERATION



WARNING: This machine is capable of amputating hands and feet and throwing objects. Read these safety rules and follow them closely. Failure to obey these rules could result in loss of control of unit, severe personal injury or death to you, or bystanders, or damage to property or equipment. The triangle  in text signifies important cautions or warnings which must be followed.

Safe Operation Practices for Snowthrowers As Recommended By: American National Standards Institute (ANSI)

IMPORTANT: Safety standards require operator presence controls to minimize the risk of injury. Your snowthrower is equipped with such controls. Do not attempt to defeat the function of the operator presence control under any circumstances.

Training

1. Read, understand, and follow all instructions on the machine and in the manuals before operating this unit. Be thoroughly familiar with the controls and the proper use of the equipment. Know how to stop the unit and disengage the controls quickly.
2. Never allow children to operate the equipment. Never allow adults to operate the equipment without proper instruction.
3. Keep the area of operation clear of all persons, particularly small children and pets.
4. Exercise caution to avoid slipping or falling especially when operating in reverse.

Preparation

1. Thoroughly inspect the area where the equipment is to be used and remove all doormats, sleds, boards, wires, and other foreign objects.
2. Disengage all clutches and shift into neutral before starting the engine (motor).
3. Do not operate the equipment without wearing adequate winter outer garments. Wear footwear that will improve footing on slippery surfaces. Avoid loose fitting clothing that can get caught in moving parts.
4. Handle fuel with care; it is highly flammable.
 - a. Use an approved fuel container.
 - b. Never add fuel to a running engine or hot engine.
 - c. Fill fuel tank outdoors with extreme care. Never fill fuel tank indoors. Replace fuel cap securely and wipe up spilled fuel.
 - d. Never fill containers inside a vehicle or on a truck or trailer bed with a plastic liner. Always place containers on the ground, away from your vehicle, before filling.
 - e. When practical, remove gas-powered equipment from the truck or trailer and refuel it on the ground. If this is not possible, then refuel such on a trailer with a portable container, rather than from a gasoline dispenser nozzle.
 - f. Keep nozzle in contact with the rim of the fuel tank or container opening at all times, until refueling is complete. Do not use a nozzle lock-open device.
 - g. Replace gasoline cap securely and wipe up spilled fuel.
 - h. If fuel is spilled on clothing, change clothing immediately.

5. Use extension cords and receptacles as specified by the manufacturer for all units with electric drive motors or electric starting motors.
6. Adjust the collector housing height to clear gravel or crushed rock surfaces.
7. Never attempt to make any adjustments while the engine (motor) is running (except when specifically recommended by manufacturer).
8. Let engine (motor) and snowthrower adjust to outdoor temperatures before starting to clear snow.
9. Always wear safety glasses or eye shields during operation or while performing an adjustment or repair to protect eyes from foreign objects that may be thrown from the machine.

Operation

1. Do not put hands or feet near or under rotating parts. Keep clear of the discharge opening at all times.
2. Exercise extreme caution when operating on or crossing gravel drives, walks or roads. Stay alert for hidden hazards or traffic.
3. After striking a foreign object, stop the engine (motor), remove the wire from the spark plug, disconnect the cord on electric motors, thoroughly inspect snowthrower for any damage, and repair the damage before restarting and operating the snowthrower.
4. If the unit should start to vibrate abnormally, stop the engine (motor) and check immediately for the cause. Vibration is generally a warning of trouble.
5. Stop the engine (motor) whenever you leave the operating position, before unclogging the collector/impeller housing or discharge chute and when making any repairs, adjustments, or inspections.
6. When cleaning, repairing, or inspecting, make certain the collector/impeller and all moving parts have stopped. Disconnect the spark plug wire and keep the wire away from the spark plug to prevent accidental starting.
7. Do not run the engine indoors, except when starting the engine and for transporting the snowthrower in or out of the building. Open the outside doors; exhaust fumes are dangerous (containing CARBON MONOXIDE, an ODORLESS and DEADLY GAS).
8. Exercise extreme caution when operating on slopes. Do not attempt to clear steep slopes.
9. Never operate the snowthrower without proper guards, plates, or other safety protective devices in place and working.
10. Never direct the discharge toward people or areas where property damage can occur. Keep children and others away.
11. Do not overload the machine capacity by attempting to clear snow at too fast a rate.

RULES FOR SAFE OPERATION

12. Never operate the machine at high transport speeds on slippery surfaces. Look behind and use care when operating in reverse.
13. Disengage power to the collector/impeller when snowthrower is transported or not in use.
14. Use only attachments and accessories approved by the manufacturer of the snowthrower (such as cabs, tire chains, etc..).
15. Never operate the snowthrower without good visibility or light. Always be sure of your footing and keep a firm hold on the handles. Walk, never run.
16. Never touch a hot engine or muffler.
17. Never operate the snowthrower near glass enclosures, automobiles, window wells, drop-offs, and the like without proper adjustment of the snow discharge angle.
18. Never direct discharge at bystanders or allow anyone in front of the unit.
19. Never leave a running unit unattended. Always disengage the auger and traction controls, stop engine, and remove keys.
20. Do not operate the unit while under the influence of alcohol or drugs.
21. Keep in mind the operator is responsible for accidents occurring to other people or property.
22. Data indicates that operators, age 60 years and above, are involved in a large percentage of power equipment-related injuries. These operators should evaluate their ability to operate the unit safely enough to protect themselves and others from injury.
23. DO NOT wear long scarves or loose clothing that could become entangled in moving parts.
24. Snow can hide obstacles. Make sure to remove all obstacles from the area to be cleared.

Children

Tragic accidents can occur if the operator is not alert to the presence of children. Children are often attracted to the unit and the operating activity. Never assume that children will remain where you last saw them.

1. Keep children out of the area and under the watchful care of another responsible adult.
2. Be alert and turn off if children enter the area.
3. Never allow children to operate the unit.
4. Use extra care when approaching blind corners, shrubs, trees, or other objects that may obscure vision.

Clearing A Clogged Discharge Chute

Hand contact with the rotating impeller inside the discharge chute is the most common cause of injury associated with snowthrowers. Never use your hand to clean out the discharge chute.

To clear the chute:

1. SHUT OFF THE ENGINE.
2. Wait 10 seconds to be sure the impeller blades have stopped rotating.
3. Always use a clean out tool, not your hands.

Service, Maintenance And Storage

1. Check shear bolts and other bolts at frequent intervals for proper tightness to be sure the equipment is in safe working condition.
2. Never store the machine with fuel in the tank inside a building where ignition sources are present such as hot water and space heaters, or clothes dryers. Allow the engine to cool before storing in any enclosure.
3. Always refer to operator's manual for important details if the snowthrower is to be stored for an extended period.
4. Maintain or replace safety and instruction labels as necessary.
5. Run the machine a few minutes after throwing snow to prevent freeze-up of the collector/impeller.
6. If fuel is spilled, do not attempt to start the engine but move the machine away from the area of spillage and avoid creating any source of ignition until fuel vapors have dissipated.
7. Always observe safe refueling and fuel handling practices when refueling the unit after transportation or storage.
8. Always follow the engine's manual instructions for storage preparations before storing the unit for both short and long term periods,
9. Always follow the engine manual instructions for proper start-up procedures when returning the unit to service.
10. Maintain or replace safety and instruction labels as necessary.
11. Keep nuts and bolts tight and keep equipment in good condition.
12. Never tamper with safety devices. Check their proper operation regularly and make necessary repairs if they are not functioning properly.
13. Components are subject to wear, damage, and deterioration. Frequently check components and replace with manufacturer's recommended parts, when necessary.
14. Check control operation frequently. Adjust and service as required.
15. Use only factory authorized replacement parts when making repairs.
16. Always comply with factory specifications on all settings and adjustments.
17. Only authorized service locations should be utilized for major service and repair requirements.
18. Never attempt to make major repairs on this unit unless you have been properly trained. Improper service procedures can result in hazardous operation, equipment damage and voiding of manufacturer's warranty.
19. Check shear bolts (pins) and other bolts at frequent intervals for proper tightness to be sure the equipment is in safe working condition.

Emissions


1. Engine exhaust from this product contains chemicals known, in certain quantities, to cause cancer, birth defects, or reproductive harm.
2. If available, look for the relevant Emissions Durability Period and Air Index information on the engine emissions label.

TABLE OF CONTENTS

RULES FOR SAFE OPERATION	3
HAZARD SYMBOLS AND THE MEANINGS	3
OPERATING SYMBOLS AND THEIR MEANINGS	3
SAFE OPERATION PRACTICES	4
SAFETY DECALS	7
OWNER'S INFORMATION	8
WARRANTIES	8
ASSEMBLY	10
PARTS BAGS CONTENTS:	10
TOOLS REQUIRED FOR ASSEMBLY	10
HOW TO REMOVE THE SNOW THROWER FROM THE CARTON .	10
HOW TO INSTALL THE CHUTE CRANK	10
HOW TO ASSEMBLE THE HANDLE	11
HOW TO INSTALL THE CHUTE	11
OPERATION	13
ENGINE AND SNOW THROWER OPERATING CONTROLS	13
SNOWTHROWER OPERATION	14
HOW TO STOP THE SNOWTHROWER	14
HOW TO CONTROL SNOW DISCHARGE	14
HOW TO THROW SNOW	14
HOW TO MOVE FORWARD	14
HOW TO MIX THE FUEL MIXTURE	15
BEFORE STARTING THE ENGINE	16
HOW TO STOP THE ENGINE	16
HOW TO START THE ENGINE	16
HOW TO CLEAR A CLOGGED DISCHARGE CHUTE	17
HOW TO USE THE CLEAN-OUT TOOL	17
SNOW THROWING TIPS	17
SERVICE RECOMMENDATIONS	18
LUBRICATION	18
HOW TO LUBRICATE THE IDLER ARM	19
MAINTENANCE	20
HOW TO ADJUST THE BELT TENSION	20
HOW TO REPLACE THE AUGER BELT	20
HOW TO FREE THE AUGER CABLE	21
HOW TO ADJUST THE CHUTE CRANK	22
HOW TO ADJUST THE AUGER CONTROL CABLE	22
HOW TO REPLACE THE DRIVE BELT	23
HOW TO REPLACE THE AUGER	24
TO ADJUST THE CARBURETOR	25
TO ADJUST OR REPLACE THE SPARK PLUG	25
STORAGE	26
TROUBLE SHOOTING CHART	27

SAFETY DECALS

 **WARNING:** If safety decals are damaged or missing, replace immediately. 

 **Look for this symbol to indicate important safety precautions. This symbol indicates: "Attention! Become Alert! Your Safety Is At Risk."**

Before operation of your snowthrower, read the safety decals as shown on your snowthrower. The cautions and warnings are for your safety. To avoid a personal injury or damage to your snowthrower, understand and follow all safety decals. If you have any questions regarding the meaning or how to comply with the instructions, do not operate until you understand the purpose for the warning or danger given in the safety decal. If you do not understand the

meaning, then thoroughly read all safety and operation instructions in this Owner's Manual or contact your local dealer.

If any safety decals become worn or damaged and cannot be read, order replacement decals from your local dealer.

Identifying Your Snowthrower

The snowthrower has two (2) identifying numbers: (1) unit model number: (2) unit serial number. The two preceding numbers are required to insure that the proper replacement parts are obtained when required. If you have any questions concerning parts, service, or technical data, contact the dealer where the unit was purchased.

For complete warranty information refer to the warranty in the Owner's Information section of this manual.

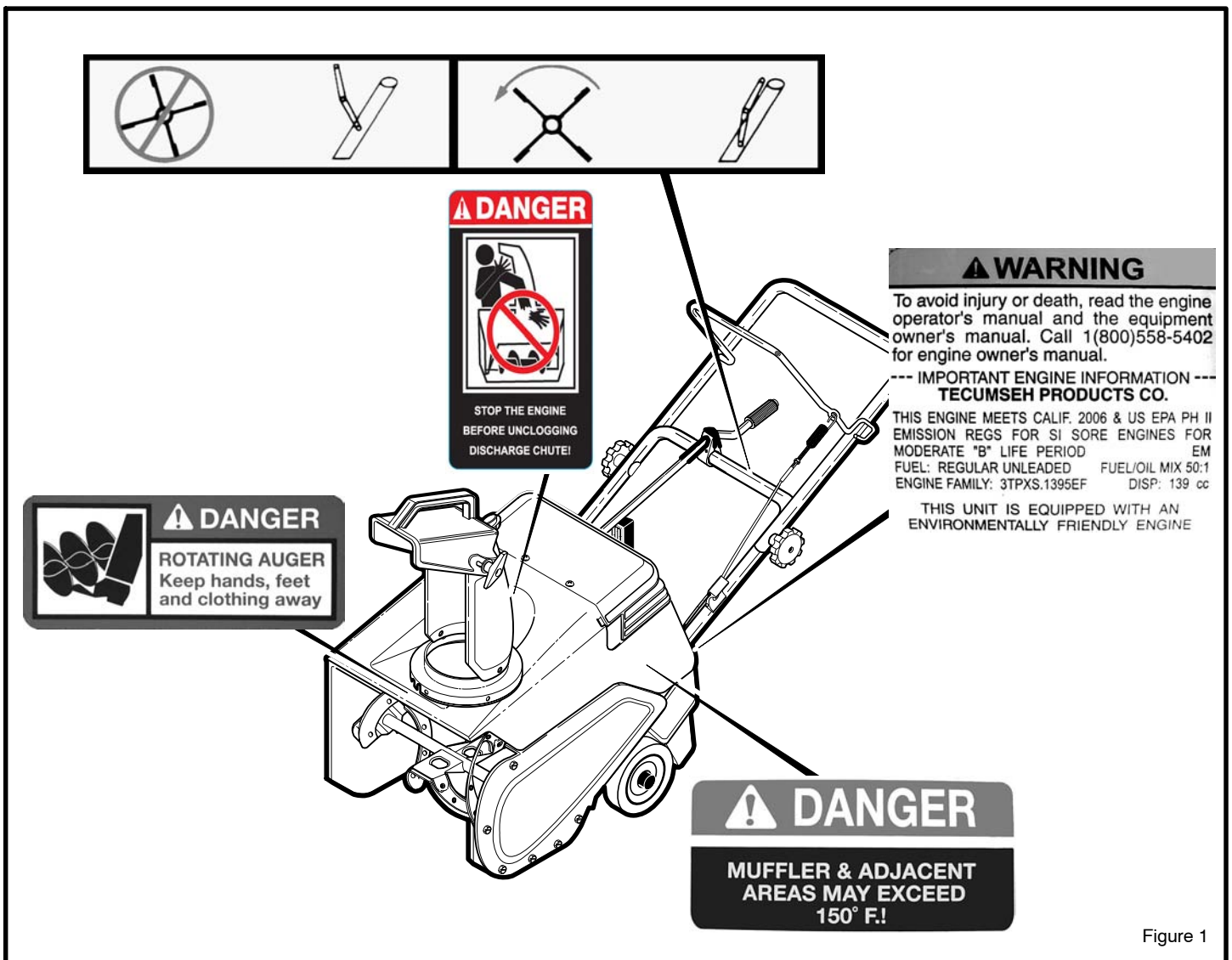


Figure 1

OWNER'S INFORMATION



WARRANTY STATEMENT

SECTION 1: LIMITED WARRANTY

Husqvarna Forest & Garden Company ("Husqvarna") warrants Husqvarna product to the original purchaser to be free from defects in material and workmanship from the date of purchase for the "Warranty Period" of the product as set forth below:

Lifetime Warranty (Parts and Labor): All tiller tines and trimmer shafts against breakage. Proof of purchase required.

Lifetime Warranty ("PARTS ONLY" after initial warranty expiration): Ignition coils and modules on handheld product. Proof of purchase required.

WARRANTY SCHEDULE FOR TURF CARE Equipment – Zero Turn Riders (New warranty applies to units sold after August 1, 2005. Also applies to units factory-equipped with R.O.P.S.)

EZ Zero Turn Riders: 3 year consumer warranty or 600 hours of use (when used solely at the owner's residence.)

EZ Zero Turn Riders: 1 year commercial warranty or 600 hours of use.

iZ, LZ & BZ Zero Turn Riders: 5 year consumer warranty or 1,500 hours of use (when used solely at the owner's residence.)

iZ, LZ & BZ Zero Turn Riders: 1 year commercial warranty or 1,500 hours of use.

3 Year or 1,500 Hour Commercial Use Warranty: spindles on zero turn riders, hydraulic pumps and wheel motors.

Warranty Schedule for Turf Care Walk Behind Units – W, WG & WH Zero Turn Riders - 3 year consumer and commercial warranty. New warranty applies to units sold after August 1, 2005. Also applies to units factory-equipped with R.O.P.S.

2 Year COMMERCIAL and CONSUMER Warranty: all Husqvarna ground-engaging commercial equipment.

WARRANTY SCHEDULE FOR CONSUMER TURF CARE EQUIPMENT:

2 Year Consumer Warranty: Automatic mower, all Residential Zero Turn Riders, all lawn, yard and garden tractors, all noncommercial walk behind mowers, tillers, chain saws, trimmers, brushcutters, clearing saws, snow blowers, handheld blowers, backpack blowers, hedge trimmers, electrical products and power-assist collection systems for noncommercial, nonprofessional, noninstitutional or nonincome producing use, except as herein stated. All consumer product use must have been limited to the owner's residence.

WARRANTY SCHEDULE FOR CONSUMER FOREST & GARDEN EQUIPMENT:

2 Year Consumer Warranty: all consumer chain saws, trimmers, brushcutters, clearing saws, handheld blowers, backpack blowers, hedge trimmers, and electrical products for noncommercial, nonprofessional, noninstitutional or nonincome producing use, except as herein stated. All consumer product use must have been limited to the owner's residence.

2 Year or 2,000 Hour & 1 Year or 1,000 Hour Warranty: Husqvarna Utility Vehicles

1 Year Warranty: Power cutters, stump grinder, pole pruners and pole saws for noncommercial, nonprofessional, noninstitutional or nonincome producing use. All 300 series trimmers, brushcutters, clearing saws, hovering trimmers, stick edgers, backpack blowers, handheld blowers, hedge trimmers, power-assist collection systems for commercial, institutional, professional or income producing purposes or use.

1 Year Conditional Component Warranty: Chain saw crankshafts for commercial/professional use (parts and labor). Saw must be operated with Husqvarna XP 2 cycle oil.

90 Day Commercial Warranty: Automatic mower, chain saws, 100 series trimmers, power cutters, stump grinders, pole saws, pole pruners, snow throwers, model series 580 & 600 walk-behind mowers, or any Husqvarna product used for commercial, institutional, professional, municipality or income producing purposes or use except as otherwise provided herein.

Batteries: 1 year prorated limited warranty with 100% replacement during the first 6 months.

Rental Warranty: 90 days on all applicable professional equipment reference warranty time period charts located in the back of the Retailer Warranty Policy & Procedure Manual.

Husqvarna Safety Apparel carries as 90-day warranty from the date of the customer's original purchase for defects in material and workmanship. Normal wear, tear or abuse is not covered under the warranty. Product must be returned to Charlotte with a warranty claim form. All care and maintenance instructions must be followed as stated by the manufacturer on the care label. The fit of the product apparel/boot is not covered under warranty.

30 Day Warranty: Replacement parts, accessories including bars and chains, tools and display items. Emission control system components necessary to comply with CARB-TIER II and EPA regulations, except for those components which are part of engine systems manufactured by third part engine manufactures for which the purchaser has received a separate warranty with product at time of purchase.

SECTION 2: HUSQVARNA'S OBLIGATIONS UNDER THE WARRANTY

Husqvarna will repair or replace defective components without charge for parts or labor if a component fails because of a defect in material or workmanship during the warranty period.

OWNER'S INFORMATION



WARRANTY STATEMENT

SECTION 3: ITEMS NOT COVERED BY THIS WARRANTY

The following items are not covered by this warranty:

1. Normal customer maintenance items which become worn through normal regular use, including, but not limited to, belts, blades, blade adapters, bulbs, clutches, clutch drums, filters, guide bars, lubricants, rewind springs, saw chain, spark plugs, starter ropes and tines.
2. Natural discoloration of material due to ultraviolet light.
3. Engine and drive systems not manufactured by Husqvarna; these items are covered by the respective manufacturer's warranty as provided in writing with the product information supplied at the time of purchase; all claims must be sent to the appropriate manufacturer.
4. Lawn and garden attachments are covered by a third party which gives a warranty, all claims for warranty should be sent to the manufacturer.
5. Commercial or consumer mowing decks with sand abrasion damage.
5. Emission Control System components necessary to comply with CARB-TIER III and EPA regulations which are manufactured by third party engine manufacturer.

SECTION 4: EXCEPTIONS AND LIMITATIONS

This warranty shall be inapplicable to defects resulting from the following:

1. Accident, abuse, misuse, negligence and neglect, including stale fuel, dirt, abrasives, moisture, rust, corrosion, or any adverse reaction due to incorrect storage or use habits;
2. Failure to operate or maintain the unit in accordance with the Owner's/Operator's manual or instruction sheet furnished by Husqvarna;
3. Alterations or modifications that change the intended use of the product or affects the product's performance, operation, safety, or durability, or causes the product to fail to comply with any applicable laws; or:
4. Additional damage to parts or components due to continued use occurring after any of the above.

REPAIR OR REPLACEMENT AS PROVIDED UNDER THIS WARRANTY IS THE EXCLUSIVE REMEDY OF THE PURCHASER. HUSQVARNA SHALL NOT BE LIABLE FOR ANY INCIDENTAL OR CONSEQUENTIAL DAMAGES FOR BREACH OF ANY EXPRESS OR IMPLIED WARRANTY ON THESE PRODUCTS EXCEPT TO THE EXTENT PROHIBITED BY APPLICABLE LAW. ANY IMPLIED WARRANTY OF MERCHANTABILITY OR FITNESS FOR A PARTICULAR PURPOSE ON THESE PRODUCTS IS LIMITED IN DURATION TO THE WARRANTY PERIOD AS DEFINED IN THE LIMITED WARRANTY STATEMENT. HUSQVARNA RESERVES THE RIGHT TO CHANGE OR IMPROVE THE DESIGN OF THE PRODUCT WITHOUT NOTICE, AND DOES NOT ASSUME OBLIGATION TO UPDATE PREVIOUSLY MANUFACTURED PRODUCTS.

Some states do not allow the exclusion of incidental or consequential damages, or limitations on how long an implied warranty lasts, so the above limitations or exclusions may not apply to you. This warranty gives you specific legal rights, and you may also have other rights which vary from state to state.

SECTION 5: CUSTOMER RESPONSIBILITIES

The product must exhibit reasonable care, maintenance, operation, storage and general upkeep as written in the maintenance section of the Owner's/Operator's manual. Should an operational problem or failure occur, the product should not be used, but delivered as is to an authorized Husqvarna retailer for evaluation. Proof of purchase, as explained in section 6, rests solely with the customer.

SECTION 6: PROCEDURE TO OBTAIN WARRANTY CONSIDERATION

It is the Owner's and Retailer's responsibility to make certain that the Warranty Registration Card is properly filled out and mailed to Husqvarna Forest & Garden Company. This card should be mailed within ten (10) days from the date of purchase in order to confirm the warranty and to facilitate post-sale service.

Proof of purchase must be presented to the authorized Husqvarna retailer in order to obtain warranty service. This proof must include date purchased, model number, serial number, and complete name and address of the selling retailer.

To obtain the benefit of this warranty, the product believed to be defective must be delivered to an authorized Husqvarna retailer in a timely manner, no later than thirty (30) days from date of the operational problem or failure. The product must be delivered at the owner's expense. Downtime, pick-up and delivery charges are not covered by this warranty. An authorized Husqvarna retailer can be normally located through the "Yellow Pages" of the local telephone directory or by calling 1-800-HUSKY62 for a dealer in your area.

HUSQVARNA
7349 Statesville Road
Charlotte, NC 28269

ASSEMBLY

PARTS BAGS CONTENTS:

- 1 – 2.6 ounces 2-cycle oil
- 1 – Owner's Manual



WARNING: Always wear safety glasses or eye shields while assembling the snowthrower.

TOOLS REQUIRED FOR ASSEMBLY

- 1 – Knife
- 1 – Pliers
- 2 – Adjustable Wrenches
- 1 – Flat Screwdriver

Figure 6 shows the snow thrower in the operating position.

References to the right or left hand side of the snow thrower are from the viewpoint of the operator's position behind the unit.

HOW TO REMOVE THE SNOW THROWER FROM THE CARTON

1. Locate all parts that are packed separately and remove from the carton.
2. Remove and discard the packing material from around the snow thrower.

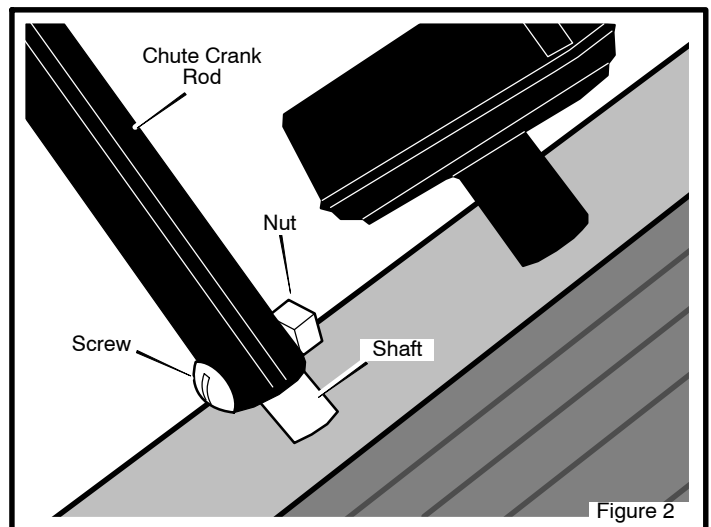
3. Cut down all four corners of the carton and lay the side panels flat.
4. Cut off the plastic bag that covers the snowthrower.
5. Hold onto the lower handle and pull the snow thrower off the carton.

CAUTION: DO NOT back over cables.

6. Remove the packing material from the handle assembly.

HOW TO INSTALL THE CHUTE CRANK

1. Remove the **screw** and **nut** from the **shaft** with flat screwdriver and adjustable wrench (see Figure 2).
2. Put the **chute crank rod** through the bracket on the lower handlebar. (See Figure 3)
3. Install the **chute crank rod** onto the **shaft**.
4. Fasten the **chute crank rod** with the **screw** and **nut** that were removed in step 1.



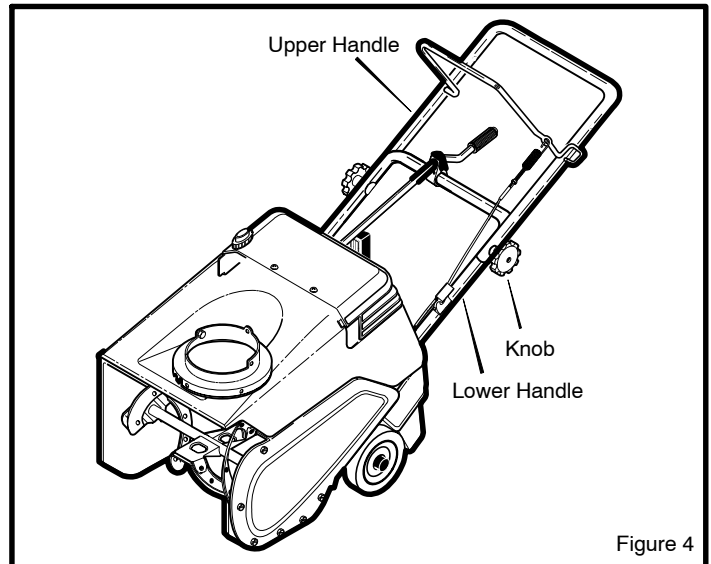
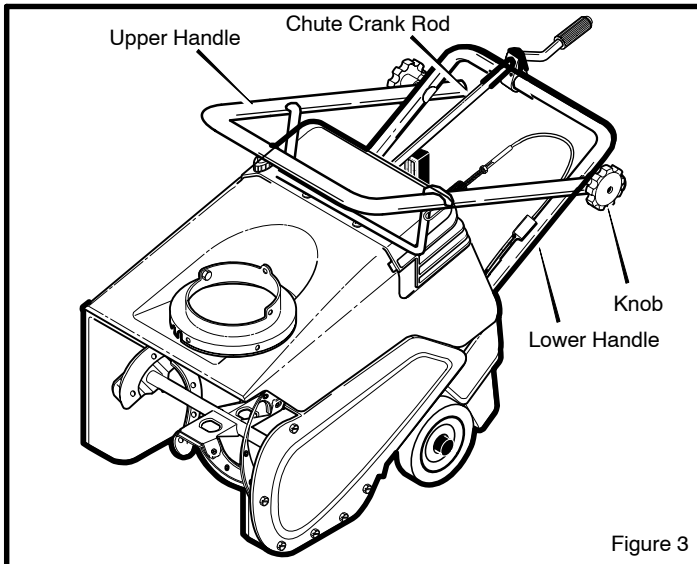
ASSEMBLY

HOW TO ASSEMBLE THE HANDLE

1. Remove the packing material from the upper and lower handles.
2. Loosen the **knobs** on each side of the **handle**. (See Figure 3)
3. Raise the upper **handle** to the operating position (see Figure 4). Hold the upper **handle** apart to prevent scratching the lower handle.

NOTE: Make sure the cables are not caught between the upper and lower handle.

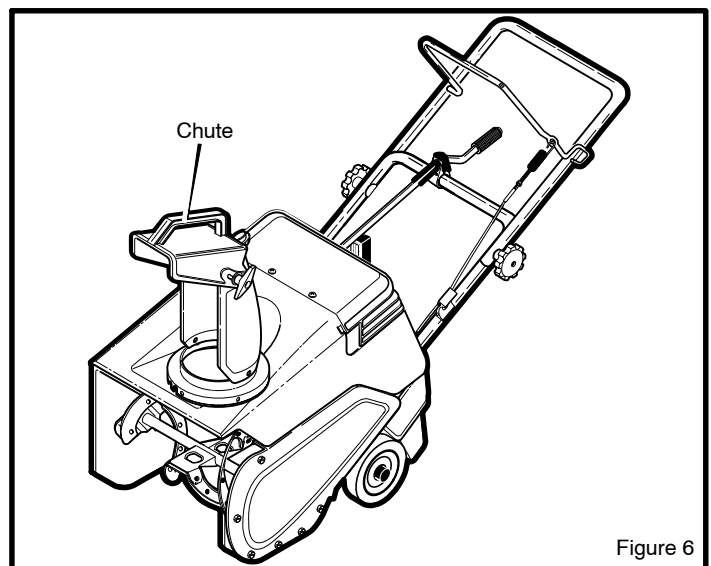
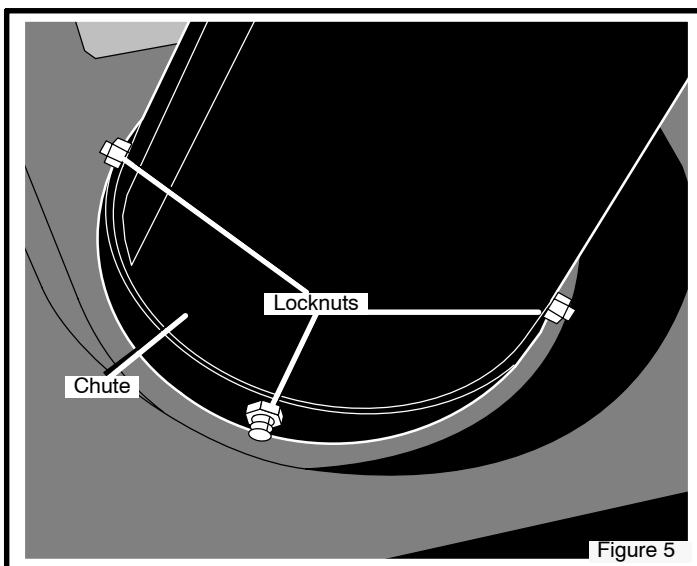
4. Tighten the **knobs**.



HOW TO INSTALL THE CHUTE

1. Remove the three bolts and **lock nuts** from the chute base (see Figure 5).

2. Install the **chute** with the bolts and **locknuts**. Make sure the **locknuts** are to the outside as shown. Tighten securely.



ASSEMBLY

✓ CHECKLIST

Before you operate your new snowthrower, to ensure that you receive the best performance and satisfaction from this quality product, please review the following checklist:

- ✓ All assembly instructions have been completed.
- ✓ The discharge chute rotates freely.
- ✓ No remaining loose parts in carton.

While learning how to use your snow thrower, pay extra attention to the following important items:

- ✓ Make sure the fuel tank is filled with the correct mixture (50:1 ratio) of gasoline and Husqvarna 2 Cycle oil.
- ✓ Become familiar with the location of all controls and understand their function.
- ✓ Before starting the engine, make sure all controls operate correctly.

OPERATION

KNOW YOUR SNOWTHROWER

READ THIS OWNER'S MANUAL AND SAFETY RULES BEFORE OPERATING YOUR SNOWTHROWER. Compare the illustrations with your SNOWTHROWER to familiarize yourself with the location of various controls and adjustments. Save this manual for future reference.

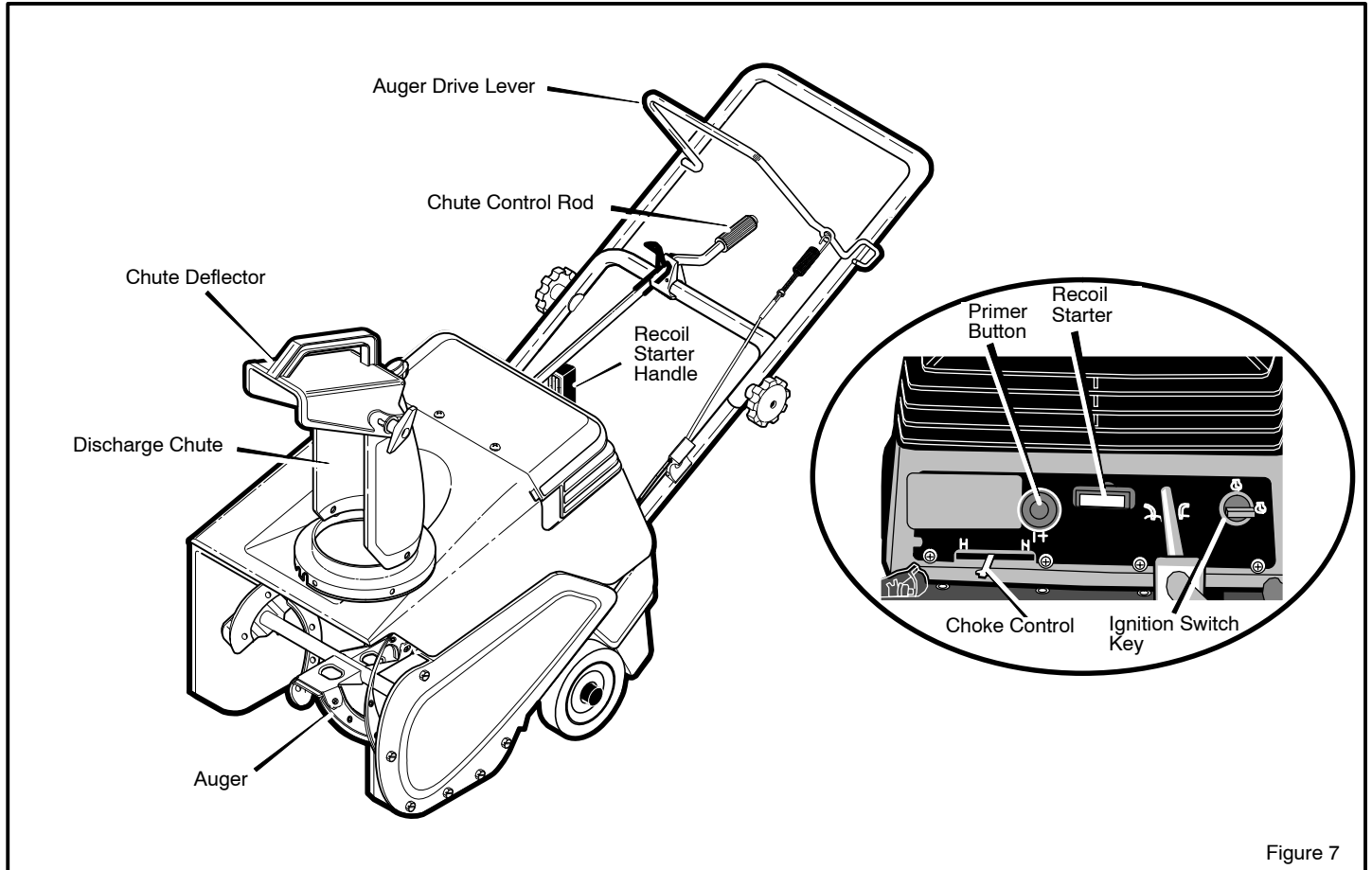


Figure 7

ENGINE AND SNOW THROWER OPERATING CONTROLS

The engine operating controls and their functions are as follows:

Auger Drive Lever – Starts and stops the auger.

Chute Control Rod – Changes the direction of snow throwing through the discharge chute.

Chute Deflector – Changes the distance the snow is thrown.

Discharge Chute – Changes the direction the snow is thrown.

Ignition Switch Key – Must be inserted and turned to the ON position to start the engine. Turn key to the OFF position to stop the engine.

Recoil Starter Handle – Starts the engine manually.

Electric Starter Button – (Not shown) On electric start models, use to start the engine when using the 120V electric starter.

Choke Control – Used to start a cold engine.

Primer Button – Injects fuel directly into the carburetor manifold for fast starts in cold weather.

OPERATION

SNOWTHROWER OPERATION

The most effective use of the snowthrower will be established by experience, taking into consideration the terrain, wind conditions and building location which will determine the direction of the discharge chute.

NOTE: Do not discharge snow toward a building as hidden objects could be thrown with sufficient force to cause damage.



WARNING: Read Owner's Manual before operating machine. This machine can be dangerous if used carelessly.

Never operate the snowthrower without all guards, covers, and shields in place.

Never direct discharge toward windows or allow bystanders near machine while engine is running.

Stop the engine whenever leaving the operating position.

Disconnect spark plug before unclogging the impeller housing or the discharge chute and before making repairs or adjustments.

When leaving the machine, remove the ignition key.

To reduce the risk of fire, keep the machine clean and free from spilled gas, oil and debris.

HOW TO STOP THE SNOWTHROWER

1. To stop throwing snow, release the **auger drive lever**. (See Figure 9).

HOW TO THROW SNOW

1. Engage the **auger drive lever**. (See Figure 9).
2. To stop throwing snow, release the **auger drive lever**.

HOW TO MOVE FORWARD

1. Hold the **auger drive lever** against the **handle** (See Figure 9). The auger will begin rotating.
2. To go forward, raise or push forward on the **handle** to allow the **rubber auger blades** to contact the ground. Maintain a firm hold on the **handle** as the snowthrower starts to move forward. Guide the snowthrower by moving the **handle** either left or right. Do not attempt to push the snowthrower.
3. To stop, release the **auger drive lever**.

NOTE: If the snowthrower continues to slowly move forward, see "How To Adjust The Auger Control Cable" in the Maintenance Section.

2. To stop the engine, move the **ignition key** to the OFF position.

HOW TO CONTROL SNOW DISCHARGE

1. Turn the **chute control rod** to set the direction of the snow throwing. (See Figure 7)
2. Loosen the **wing knob** on the chute deflector and move the deflector to set the distance. Move the deflector (**Up**) for more distance, (**Down**) for less distance. Then tighten the **wing knob** (See Figure 8).

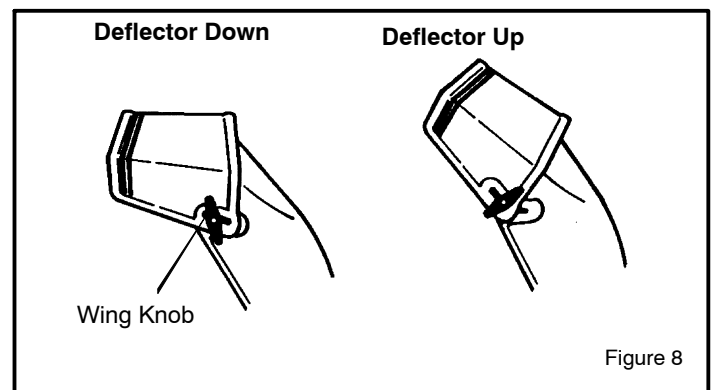


Figure 8

NOTE: If the auger continues to rotate, see "How To Adjust The Auger Control Cable" in the Maintenance section.

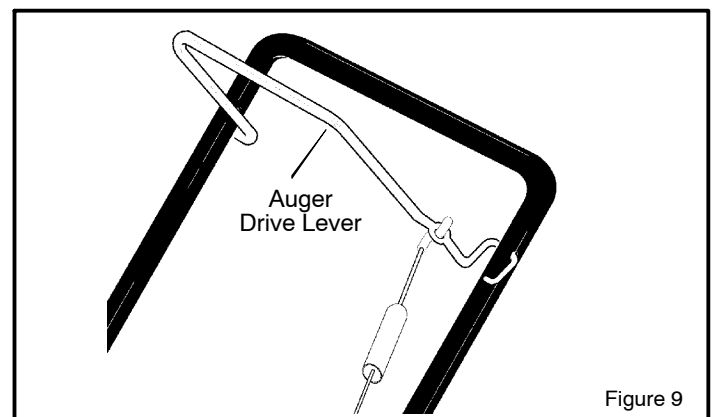


Figure 9

OPERATION

BEFORE STARTING THE ENGINE

! WARNING: Experiences indicates that alcohol blended fuels (called gasohol or those using ethanol or methanol) can attract moisture which leads to separation and formation of acids during storage. Acidic gas can damage the fuel system of an engine while in storage.

NOTE: To avoid engine problems, the fuel system must be emptied before storage for 30 days or longer. Start the engine and let it run until the fuel lines and carburetor are empty. Use the carburetor bowl drain to empty residual gasoline from the float chamber. Use fresh fuel next season. See the Storage section in this manual for additional information.

Never use engine or carburetor cleaner products in the fuel tank or permanent damage can occur.

HOW TO MIX THE FUEL MIXTURE

The two cycle engine, used on this snow thrower, requires a mixture of gasoline and oil for lubrication of the bearings and other moving parts. The correct fuel mixture ratio is 50:1 (2.6 oz. oil per one gallon of gas – see the Fuel Mixture Chart). Gasoline and oil must be pre-mixed in a clean gasoline container. Always use fresh, clean, unleaded gasoline.

FUEL MIXTURE CHART (mixture 50:1)

U.S.		IMPERIAL		SI. (Metric)	
GAS	OIL	GAS	OIL	GAS	OIL
1 Gal.	2.6 oz.	1 Gal.	3.1 oz.	4 liter	80 ML

Mix gasoline and oil as follows:

1. Pour one (1) U.S. quart of fresh, clean, unleaded automotive gasoline into a one gallon size gasoline container.
2. Add 2.6 ounces of clean, high quality, Husqvarna two-cycle oil to the gasoline container.

IMPORTANT: Do not use outboard motor oil or multi-viscosity oils, such as 10W-30 or 10W-40.

3. Install the fuel cap onto the gasoline container. Vigorously shake the gasoline container to mix the oil with the gasoline.
4. Add an additional three (3) U.S. quarts of gasoline to the gallon container. Again shake the gasoline container.

! WARNING: Gasoline is flammable. Always use caution when handling or storing gasoline. Do not fill fuel tank while snow thrower is running, when it is hot, or when snow thrower is in an enclosed area.

Keep away from open flame or an electrical spark and do not smoke while filling the fuel tank.

Never fill the tank completely. Fill the tank to within 1/4"–1/2" from the top to provide space for expansion of fuel.

Always fill fuel tank outdoors and use a funnel or spout to prevent spilling.

Make sure to wipe up any spilled fuel before starting the engine.

Store gasoline in a clean, approved container and keep the cap in place on the container.

Do not fill the fuel tank with gasoline that does not have oil mixed in it. Shake the gasoline container before each filling of the fuel tank.

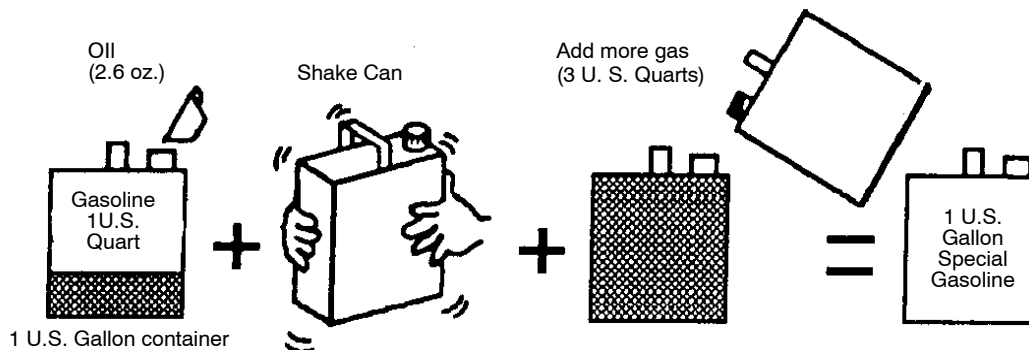


Figure 10

OPERATION

BEFORE STARTING THE ENGINE

1. Before you service or start the engine, familiarize yourself with the snow thrower. Be sure you understand the function and location of all controls.
2. Be sure that all fasteners are tight.

3. Before starting the engine, make sure all controls operate correctly.

HOW TO STOP THE ENGINE

To stop the engine, move the ignition key to the stop position.

HOW TO START THE ENGINE

The following starting instructions include directions for both **Recoil Start** and **Electric Start** engines. For models that are **Recoil Start** only, disregard the **Electric Start** information.

Electric Start models are equipped with a 120 volt AC electric starter and also a recoil starter. Before starting the engine, make certain that you have read the following information.



The starter is designed to operate on 120 volt A.C. household current. Carefully follow all instructions in the “How To Start The Engine” section.

To connect a 120 volt A.C. power cord, always connect the power cord to the switch box on the engine first. Then, plug the other end into the receptacle. When disconnecting the power cord, always unplug the end from the receptacle first.

HOW TO START A COLD ENGINE

1. Fill the fuel tank with a fresh, clean fuel mixture. See “How To Mix The Fuel Mixture”.
2. Move the choke control to FULL position.
3. Make sure the **auger drive lever** is in the disengaged (released) position.
4. Insert the **ignition key** and turn to the ON position.
5. **(Electric Start)** Connect the power cord to the **switch box** located on the engine.
6. **(Electric Start)** Plug the other end of the power cord into a 120 VOLT, A.C. receptacle. (See the WARNING in this section).
7. Push the **primer button** while covering the vent hole as follows: Remove finger from primer button between primes.
 - Do not prime if temperature is above 50° F (10° C).
 - Push twice if temperature is 50° F (10° C) to 15° F (-10° C).
 - Push four times if temperature is below 15° F (-10° C).
 - Push five time if temperature is below 0° F (-18° C).

8. **(Electric Start)** Push on the **electric start button** until the engine starts. Do not crank for more than 10 seconds at a time. The electric starter is thermally protected. If the electric starter overheates, it will automatically stop and can only be restarted when it has cooled to a safe temperature. A wait of about 5 to 10 minutes is required to allow the electric starter to cool and the thermal protection to reset..
9. **(Recoil Start)** Rapidly pull the **recoil starter handle**. Do not allow the **recoil starter handle** to snap back. Slowly return the **recoil starter handle**.
10. If the engine does not start in 5 or 6 tries, See the “Trouble Shooting Chart” Instructions.
11. **(Electric Start)** When the engine starts, release the **electric start button**.
12. **(Electric Start)** First disconnect the power cord from the receptacle. Then, disconnect the power cord from the **switch box**.
13. As the engine warms up, move the **choke control** to 1/2 choke position. When the engine runs smoothly, move the **choke control** to the off position.

NOTE: Allow the engine to warm up for several minutes before blowing snow in temperatures below 0°F.

WARM START

If restarting a warm engine after a short shutdown, leave choke at “OFF” and do not push the primer button. If the engine fails to start, follow the Cold Start instructions.



WARNING: Never run engine indoors or in enclosed, poorly ventilated areas. Engine exhaust contains CARBON MONOXIDE, AN ODORLESS AND DEADLY GAS. Keep hands, feet, hair and loose clothing away from any moving parts on engine and snow thrower.

The temperature of muffler and nearby areas may exceed 150°F. Avoid these areas.

DO NOT allow children or young teenagers to operate or be near snow thrower while it is operating.

OPERATION

HOW TO CLEAR A CLOGGED DISCHARGE CHUTE



WARNING: Hand contact with the rotating impeller inside the discharge chute is the most common cause of injury associated with snow blowers. NEVER USE YOUR HAND TO CLEAN OUT THE DISCHARGE CHUTE.

To Clear The Chute:

- **SHUT OFF THE ENGINE!**
- Wait 10 seconds to be sure that the impeller blades have stopped rotating.
- Always use a clean-out tool, not your hands.

Use a clean-out tool to remove snow from the auger housing.

How To Use The Clean-Out Tool

- Release the auger drive lever.
- Remove the ignition key, if equipped. Pull out the safety key, if equipped.
- Disconnect spark plug wire.
- Do not place your hands in the auger or discharge chute. Use a clean-out tool to remove snow or debris.



WARNING: Blockage must be cleared only after shutting off the snow blower and only with a clean-out tool, not by hand.

SNOW THROWING TIPS

1. When the handle is raised, the auger blades will engage the ground and the snow thrower will move forward. When the auger drive lever is released, the auger blades will stop. If the blades do not stop, see "How To Adjust The Auger Control Cable" in the Service And Adjustment section.
2. Most efficient snow throwing is accomplished when the snow is removed immediately after it falls.
3. For complete snow removal, slightly overlap each previous path.
4. Whenever possible, discharge the snow down wind.
5. The distance the snow will be discharged can be adjusted by moving the discharge chute deflector. Raise the deflector for more distance or lower the deflector for less distance.
6. In windy conditions, lower the chute deflector to direct the discharged snow close to the ground where it is less likely to blow into unwanted areas.
7. For safety and to prevent damage to the snow thrower, keep the area to be cleared free of stones, toys and other foreign objects.
8. Do not use the auger propelling feature when clearing gravel or crushed rock driveways. Move the handle down to slightly raise the auger.
9. The forward speed of the snow thrower is dependent on the depth and weight of the snow. Experience will establish the most effective method of using the snow thrower under different conditions.

10. After each snow throwing job, allow the engine to run for a few minutes. The snow and accumulated ice will melt off the engine.

11. Clean the snow thrower after each use.

12. Remove ice, snow and debris from the entire snow thrower. Flush with water to remove all salt or other chemicals. Wipe snow thrower dry.

DRY AND AVERAGE SNOW

1. Snow up to eight inches deep can be removed rapidly and easily by walking at a moderate rate. For snow or drifts of a greater depth, slow your pace to allow the discharge chute to dispose of the snow as rapidly as the auger receives the snow.
2. Plan to have the snow discharged in the direction the wind is blowing.

WET PACKED SNOW

Move slowly into wet, packed snow. If the wet, packed snow causes the auger to slow down or the discharge chute begins to clog, back off and begin a series of short back and forth jabs into the snow. These short back and forth jabs, four to six inches, will "belch" the snow from the chute.

SNOW BANKS AND DRIFTS

In snow of greater depth than the unit, use the same "jabbing" technique described above. Turn the discharge chute away from the snow bank. More time will be required to remove snow of this type than level snow.

SERVICE RECOMMENDATIONS

SERVICE RECOMMENDATIONS									
PROCEDURE		FIRST 2 HOUR	BEFORE EACH USE	OFTEN	EVERY 5 HOURS	EVERY 10 HOURS	EVERY 25 HOURS	BEGINNING EACH SEASON	BEFORE STORAGE
S N O W T H R O W E R	Tighten all screws and nuts	√		√				√	
	Lubricate Chute Control Flange	√							√
	Lubricate Auger Bail	√							√
	Check Auger Drive Cable Adjustment (See Cable Adjustment)							√	
	Check Drive Belt								√

The warranty on this snowthrower does not cover items that have been subjected to operator abuse or negligence. To receive full value from the warranty, operator must maintain snowthrower as instructed in this manual. The following **Service Recommendations** are supplied to assist operator to properly maintain snow thrower. This is a check list only. Adjustment referred to will be found in Adjustments/Repairs section of this manual.

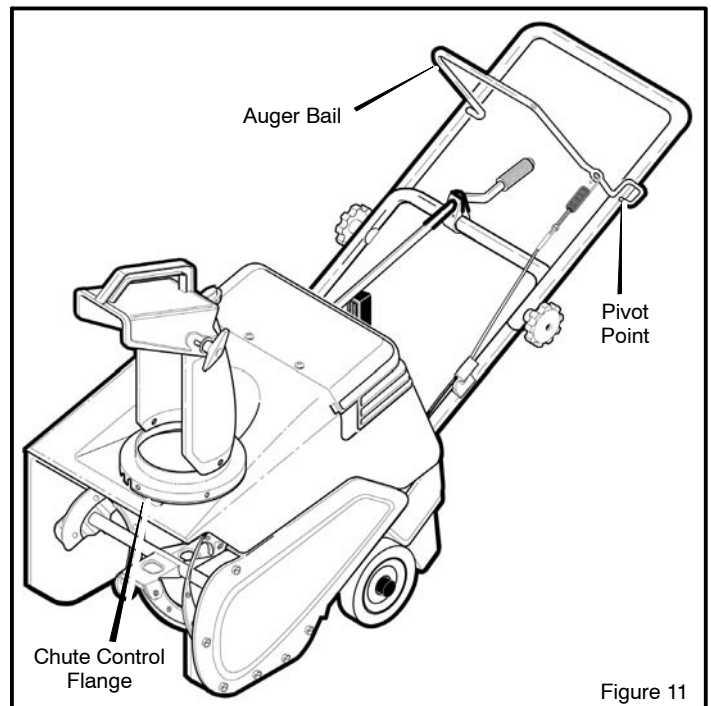
AFTER EACH USE

1. Check for any loose or damaged parts.
2. Tighten any loose fasteners.
3. After each use, remove all snow and slush off of the snowthrower to prevent freezing of auger or controls.
4. Check controls to make sure they are functioning properly.
5. If any parts are worn or damaged, replace immediately.

LUBRICATION

Before Storage

1. Lubricate the **chute control flange**. Apply a clinging type of grease such as Lubriplate (see Figure 11).
2. Apply oil to the **pivot point** on each side of the **auger bail** (see Figure 11).
3. Wipe off the excess oil.

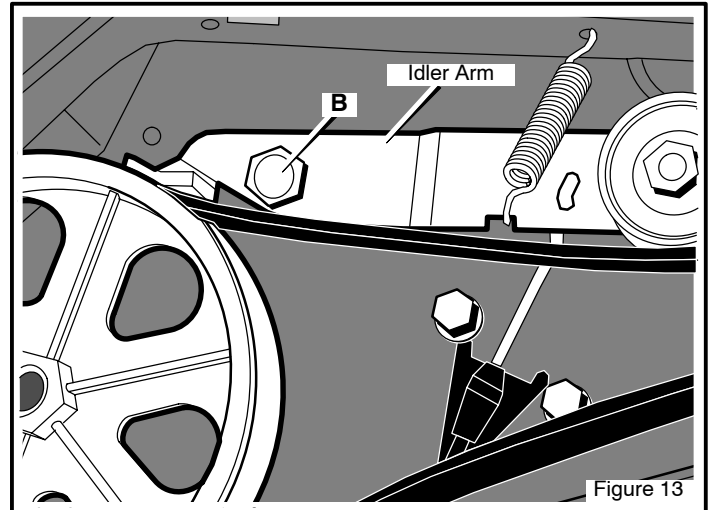
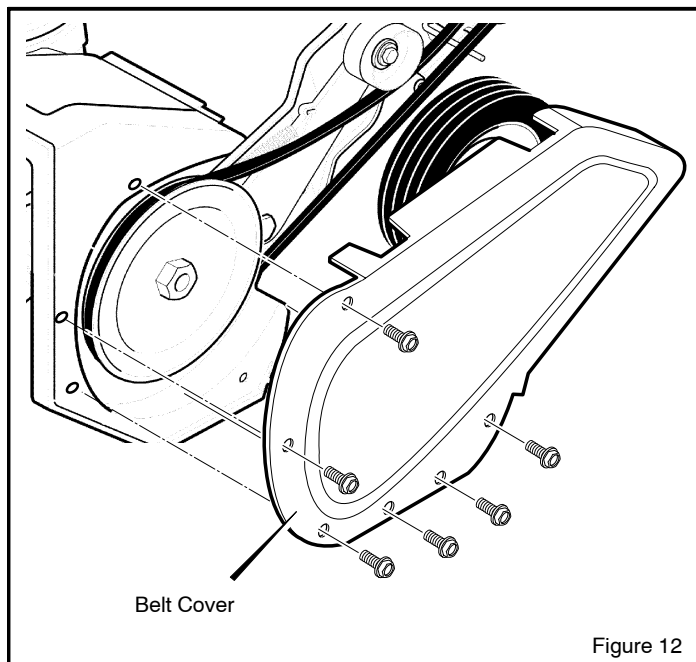


SERVICE RECOMMENDATIONS

HOW TO LUBRICATE THE IDLER ARM

CAUTION: DO NOT get oil on the belt or pulleys. This will cause the belt to slip and experience premature failure.

1. Remove the screws from the **belt cover** (see Figure 12). Remove the belt cover.
2. Apply a drop of oil to the **idler arm** at point **B** (see Figure 13).
3. Pivot the auger bail up and down several times.
4. Wipe off the excess oil.
5. Install the cover.



MAINTENANCE

HOW TO ADJUST THE BELT TENSION

IMPORTANT: When you release the auger bail, the auger must stop rotating. If the auger does not stop, adjust the belt tension as follows:

1. Disconnect the spark plug wire from the spark plug.
2. Remove the belt cover.
3. Loosen the **idler pulley nut** (see Figure 15).
4. Move the **idler pulley** to the bottom of the idler arm slot. If the **idler pulley** is already in the bottom position, replace the **auger belt**. See How To Replace The Auger Belt in the Maintenance section.
5. Tighten the **idler pulley nut**.
6. Install the belt cover.

HOW TO REPLACE THE AUGER BELT

1. Disconnect the spark plug wire from the spark plug.
2. Remove the belt cover (see Figure 12).
3. Remove the **belt guide** (see Figure 15).
4. Remove the **auger belt** from the **engine drive pulley**.
5. Push down the **idler arm** to move the **brake** away the **auger drive pulley**. Remove the **auger belt** from the **auger drive pulley**.
6. Loosen the **idler pulley nut**. Move the idler pulley to the top of the idler arm slot. Tighten the **idler pulley nut**.
7. Install a new **auger belt**.
8. Install the **belt guide**. Make sure the fasteners that secure the **belt guide** are tight.
9. Check the operation. When you release the **auger bail**, the auger must stop turning. When you engage the **auger bail**, there MUST be clearance between the **brake arm** and the **auger drive pulley**.
10. When you release the **auger bail**, the auger must stop rotating. Make sure the **brake** contacts the **auger drive pulley** (Figure 15) and that the **auger cable spring** (Figure 14) has slack (no tension). If not, check the cable spring adjustment as follows:

11. Remove the **boot** from the **auger cable spring** as follows:
 - Disconnect the end of the **idler spring** from the **idler arm** (see Figure 15).
 - Remove the **auger belt** from the **idler pulley**.
 - Remove the end of the **auger cable spring** from the **auger bail** (see Figure 14).
 - Remove the **boot** from the **auger cable spring**.
 - Attach the end of the **auger cable spring** to the **auger bail**.
12. To adjust the **auger cable spring**:
 - Install the **auger belt** to the **idler pulley** (see Figure 15).
 - Attach the **idler spring** to the **idler arm**.
 - Loosen the **jam nut** (see Figure 14).
 - Turn the **adjuster** until the **auger cable** is slightly slack.
 - Tighten the **jam nut**.
13. Remove the **idler spring** from the **idler arm** (see Figure 15). Remove the **auger belt** from the **idler pulley**. Install the **boot** onto the **auger cable spring**.
14. Install the **auger belt**, **idler spring**, and belt cover.

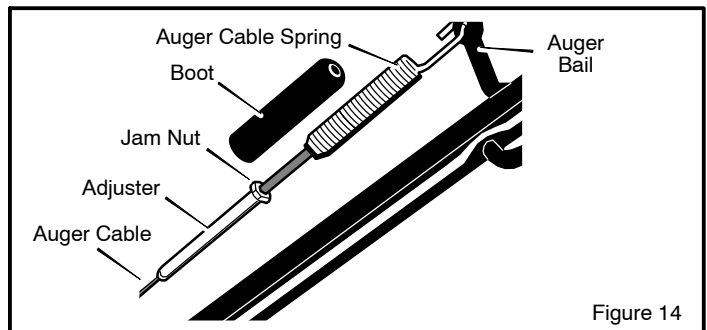


Figure 14

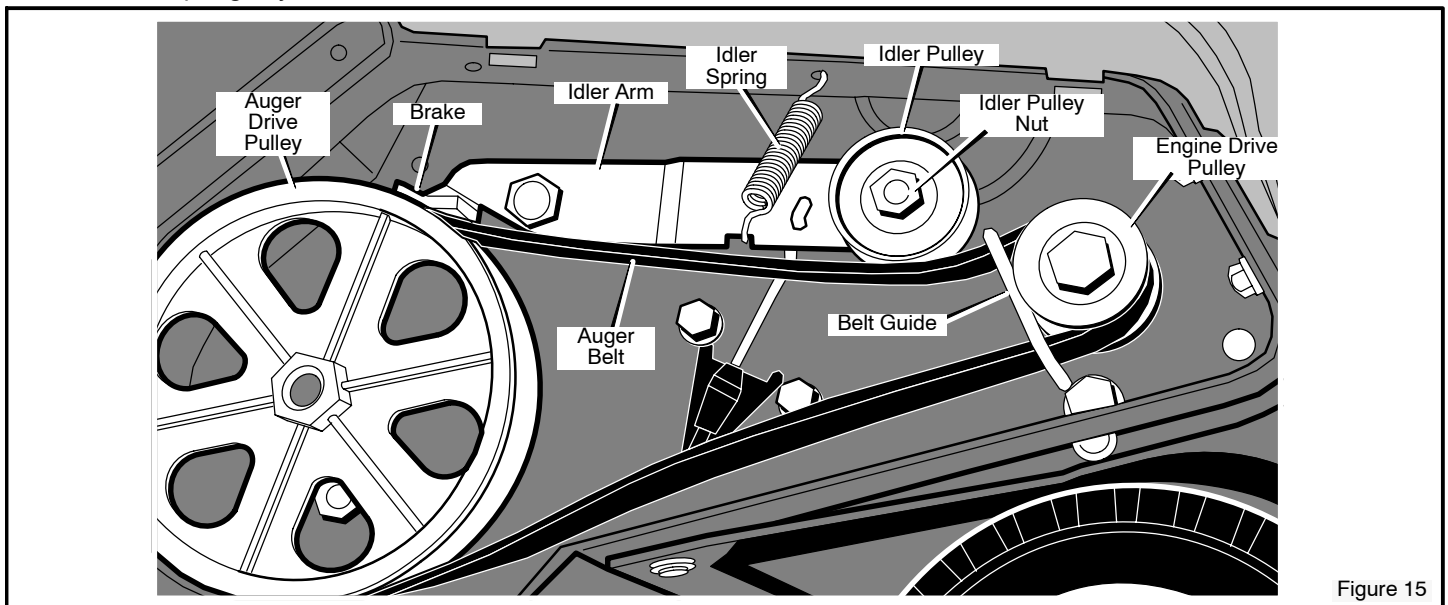
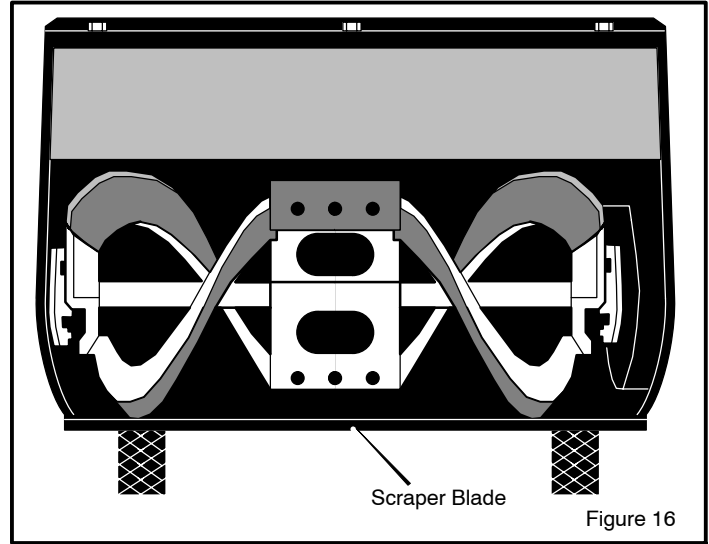


Figure 15

MAINTENANCE

HOW TO REPLACE THE SCRAPER BLADE

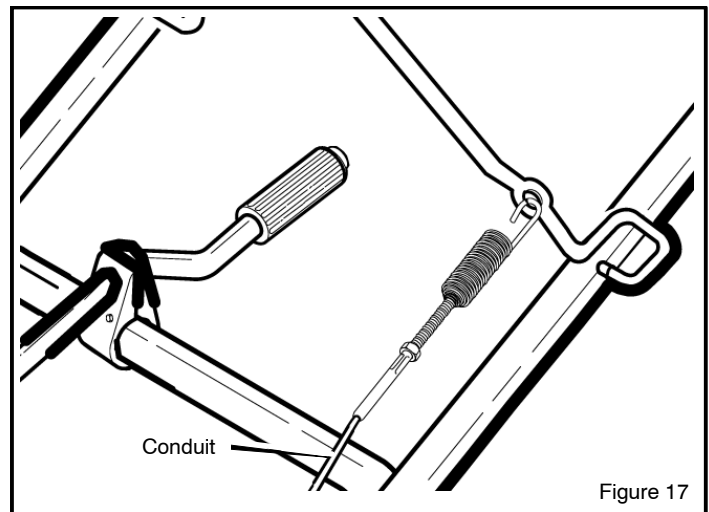
1. Use adjustable wrenches to remove the fasteners that secure the **scraper blade** (Figure 16).
2. Install a new **scraper blade** and secure with the fasteners removed in step 1.



HOW TO FREE THE AUGER CABLE

IMPORTANT: If the auger cable will not move when you **ENGAGE** the bail, the auger cable could be frozen inside the conduit. **DO NOT** pull on the auger cable. **Instead, thaw the conduit and lubricate the auger cable.**

1. Thaw the **conduit** so the auger cable moves freely.
2. Work grease into the opening on the top of the **conduit** where the auger cable enters.



MAINTENANCE



WARNING: To prevent accidental starting when making any adjustments or repairs, always disconnect the spark plug wire and place it where it cannot make contact with the spark plug .

HOW TO ADJUST THE CHUTE CRANK

If the chute crank will not rotate fully to the left or right, adjust as follows.

1. Remove the top cover. See “How To Remove The Top Cover”.
2. Using an adjustable wrench, loosen the **nuts**.
3. Move the **crank adjusting bracket** to allow **1/8 inch (3mm) clearance** between the notch in the **flange** and the outer diameter of the **worm gear**.
4. Tighten the **nuts**.

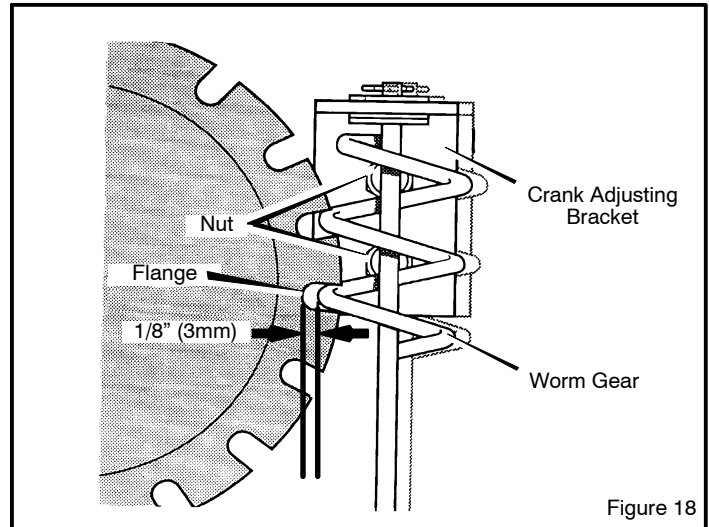


Figure 18

HOW TO ADJUST THE AUGER CONTROL CABLE

The auger control cable is adjusted at the factory. During normal use, the auger control cable can become stretched and the auger drive lever will not properly engage or disengage the auger.

1. Remove the end of the **auger cable spring** from the **auger bail** (see Figure 19).
2. Remove the **boot** from the **auger cable spring**.
3. Attach the end of the **auger cable spring** to the **auger bail**.
4. Loosen the **jam nut** (see Figure 19).
5. Turn the **adjuster** until the **auger cable** is slightly slack.
6. Tighten the **jam nut**.
7. Remove the end of the **auger cable spring** from the **auger bail** and install the **boot**.
8. Attach the end of the **auger cable spring** to the **auger bail**.

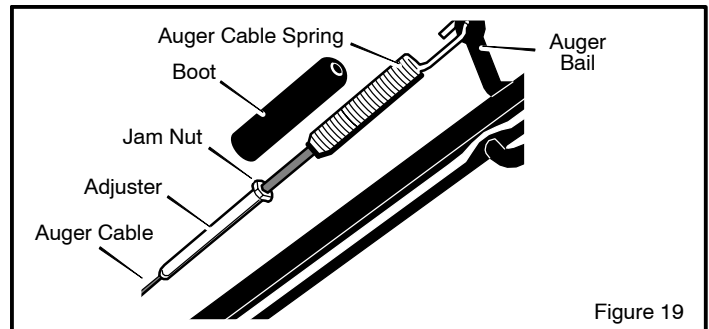


Figure 19

9. To check the adjustment, start the snow thrower. Make sure the auger does not rotate when the auger drive lever is released.

MAINTENANCE

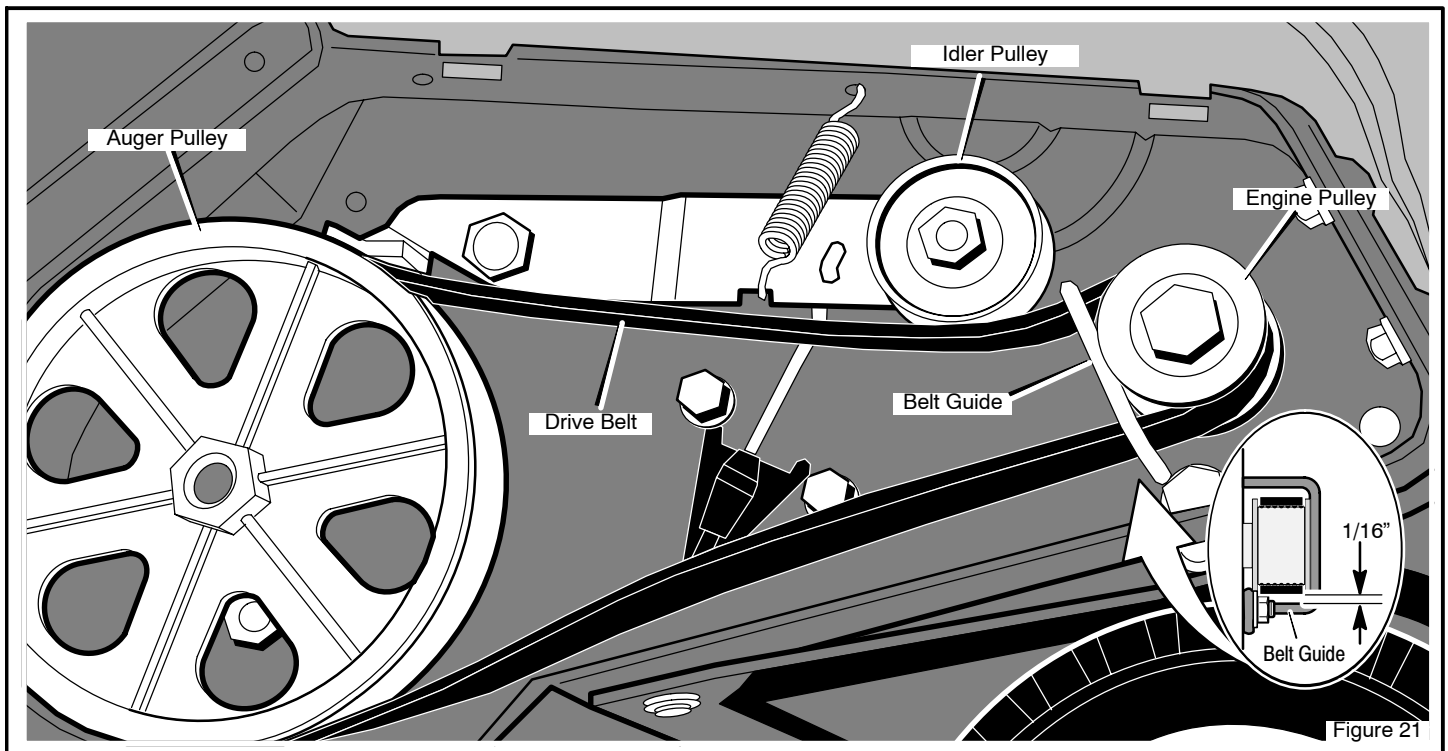
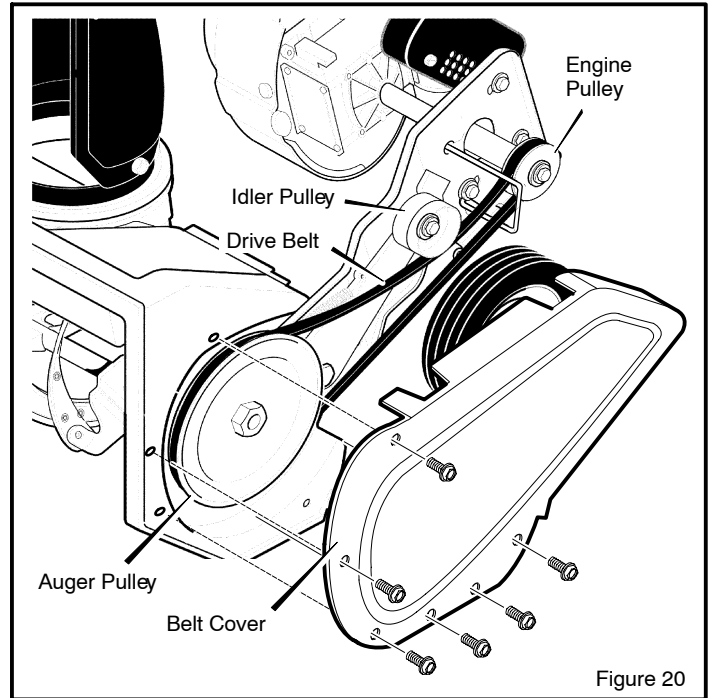
HOW TO REPLACE THE DRIVE BELT

The drive belt is of special construction and must be replaced with original factory replacement belt available from your nearest authorized service center.

1. Remove the belt cover. (See Figure 20)
2. Remove the **drive belt** from the **idler pulley**. (See Figure 20 and Figure 21)
3. Remove the **drive belt** from the **engine pulley**. Be careful, not to bend the belt guides.
4. Remove the **drive belt** from the **auger pulley**. (See Figure 20)
5. Remove the old **drive belt**.
6. To install the new **drive belt**, reverse the above steps.
7. Make sure the **drive belt** is seated properly on the pulleys.

NOTE: When the auger control lever is engaged, the belt guides must be 1/16" from the drive belt (See Figure 21).

8. Install belt cover.



MAINTENANCE

HOW TO REPLACE THE AUGER

1. Remove the belt cover. See “How To Remove The Belt Cover”.
2. Remove the drive belt. See “How To Replace The Drive Belt”.
3. Use a 1-inch wrench and remove the **auger pulley** from the auger shaft (threads are left hand; turn clockwise to remove). (See Figure 22).
4. To keep the **auger** from rotating, set a 2"x4" piece of **wood** on the center **paddle** to secure **auger**.
5. Use a 7/16-inch wrench and remove the fasteners from the **bearing assembly**. Remove the **bearing assembly** from the **auger housing**.
6. Slide the **auger** out of the bearing assembly on the right side of the snow thrower.
7. Tip the **auger** enough to allow the **auger** to slide out of the **auger housing**.
8. To install **auger**, reverse the above steps.

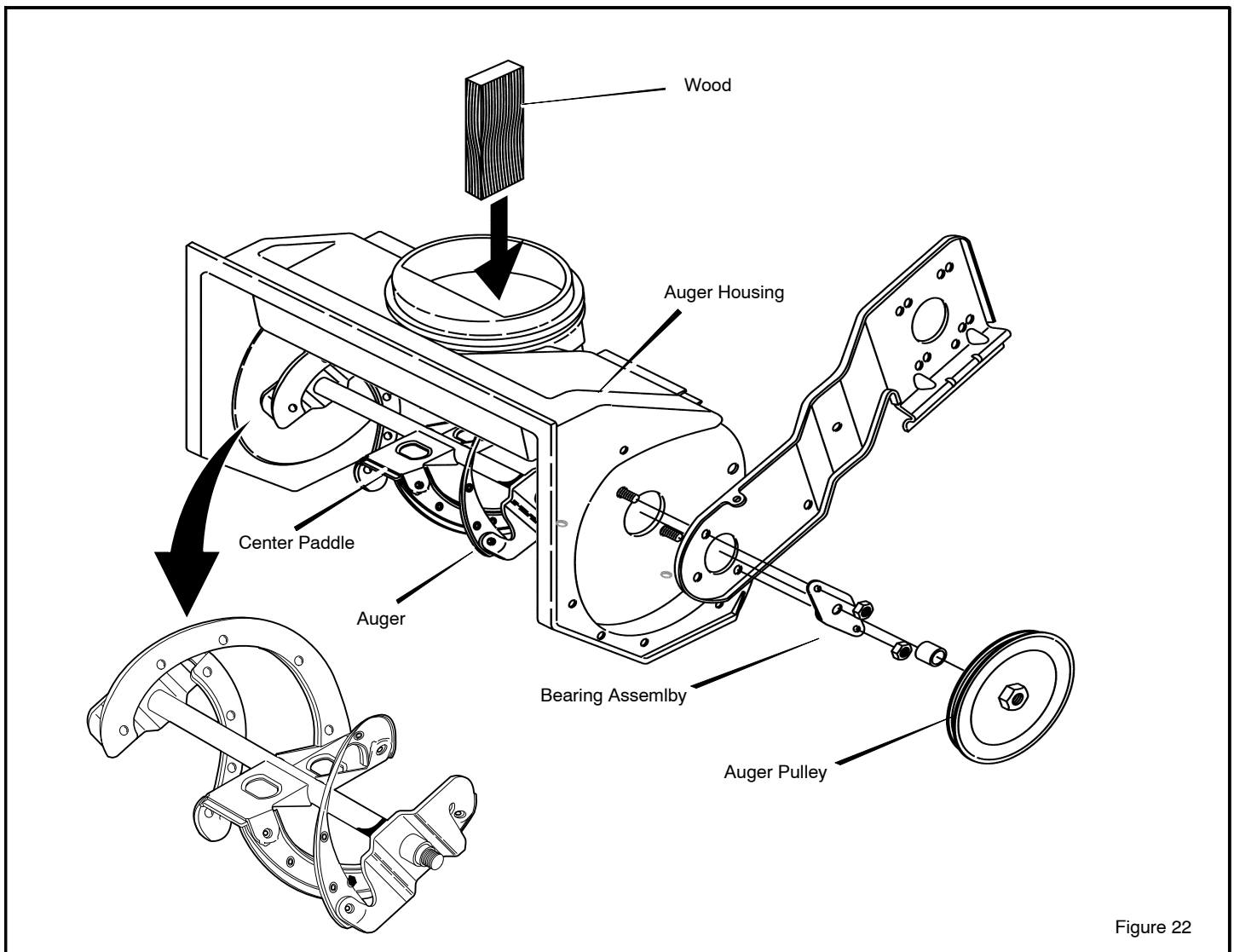


Figure 22

MAINTENANCE

TO ADJUST THE CARBURETOR

The carburetor is not adjustable. Engine performance should not be affected at altitudes up to 7,000 feet. For operation at higher elevations, contact your nearest authorized service center.

IMPORTANT: Never tamper with the engine governor, which is factory set for proper engine speed. Over-speeding the engine above the factory high speed setting can be dangerous. If the engine-governed high speed needs an adjustment, contact an authorized service center. They have the proper equipment and experience to make any necessary adjustments.

TO ADJUST OR REPLACE THE SPARK PLUG

THIS SPARK IGNITION SYSTEM COMPLIES WITH CANADIAN ICES-002.

Check the **spark plug** every twenty-five (25) hours. Replace the **spark plug** if the electrodes are pitted or burned or if the porcelain is cracked.

The spark plug is housed in the engine compartment under the top cover and cannot be seen under normal conditions.



WARNING: STOP the engine. Wait for it to cool before removal of spark plug.

CAUTION: DO NOT clean the plug with abrasives.

1. Remove the **fuel cap** (see Figure 23).
2. Remove the screws from the **shroud**. Remove the **shroud**. Install the **fuel cap**.
3. Disconnect the **spark plug wire** (see Figure 24).
4. Clean the area around the **spark plug** base to prevent dirt from entering the engine when the **spark plug** is removed.
5. Remove the **spark plug**.
6. Check the **spark plug**. If the **spark plug** is cracked, fouled or dirty, it must be replaced .
7. Set the gap between the electrodes of the new **spark plug** at 0.030 inch (Figure 25).
8. Install the **spark plug** in the cylinder head and firmly tighten. Recommended torque is 18 to 20 foot pounds. Attach the **spark plug wire**.
9. Remove the **fuel cap** and install the **shroud** (see Figure 23).
10. Install the **fuel cap**.

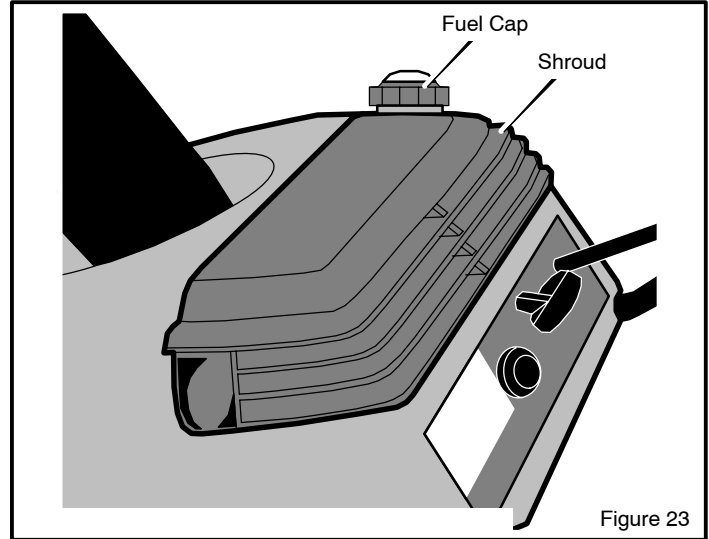


Figure 23

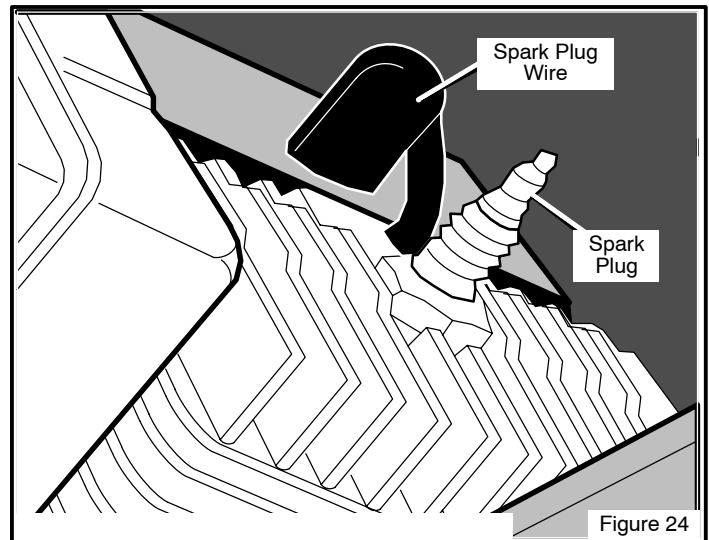


Figure 24

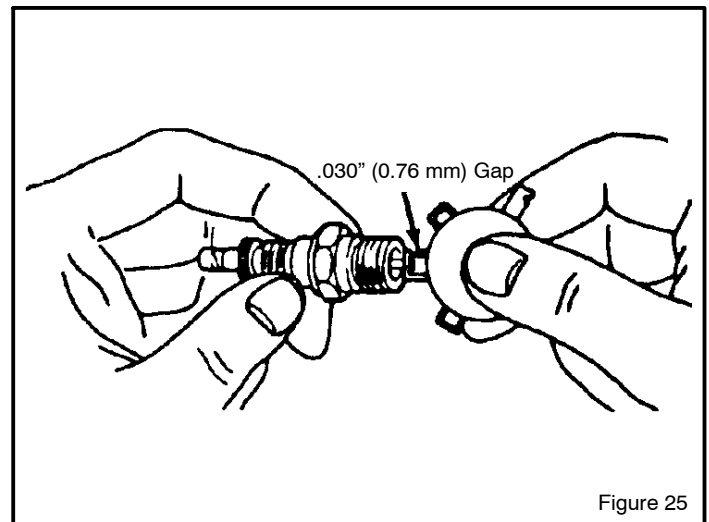


Figure 25

STORAGE

OFF SEASON STORAGE



WARNING: Never store the engine, with fuel in the tank, indoors or in a poor ventilated enclosure where fuel fumes could reach an open flame, spark or pilot light as on a furnace, water heater, clothes dryer, etc.

Handle gasoline carefully. It is highly flammable and careless use could result in serious fire damage to your person and /or property.

Drain fuel into approved containers outdoors, away from open flame.

If the snowthrower is to be stored for thirty (30) days or more at the end of the snow season, the following steps are recommended to prepare your snowthrower for storage.

NOTE: Gasoline must be removed or treated to prevent gum deposits from forming in the tank, filter, hose, and carburetor during storage.

1. To remove gasoline, run engine until tank is empty and engine stops.

If you do not want to remove the gasoline, add fuel stabilizer to any gasoline left in the tank to minimize gum deposits and acids. If the tank is almost empty, mix stabilizer with fresh gasoline in a separate container and add some to the tank. ALWAYS FOLLOW INSTRUCTIONS ON STABILIZER CONTAINER. THEN RUN ENGINE AT LEAST 10 MINUTES AFTER STABILIZER IS ADDED TO ALLOW MIXTURE TO REACH CARBURETOR. STORE SNOWTHROWER IN SAFE PLACE.

2. Lubricating the piston/cylinder area. This can be done by first removing the spark plug and squirting clean engine oil into the spark plug hole. Then cover the spark plug hole with a rag to absorb oil spray. Next, rotate the engine by pulling the starter two or three times. Finally, reinstall spark plug and attach spark plug wire.
3. Thoroughly clean the snowthrower.
4. Lubricate all lubrication points (see “Lubrication” in the Service Recommendations section).

5. Insure that all nuts, bolts, and screws are securely fastened. Inspect all visible moving parts for damage, breakage, and wear. Replace if necessary.
6. Touch up all rusted or chipped paint surfaces; sand lightly before painting.
7. Cover the bare metal parts of the blower housing and auger with rust preventative.
8. If possible, store your snowthrower indoors and cover it to give protection from dust and dirt.
9. On models with folding handles, loosen the knobs that secure the upper handle. Rotate the upper handle back.
10. If the machine must be stored outdoors, block up the snowthrower and insure the entire machine is off the ground. Cover the snowthrower with a heavy tarpaulin.

REMOVING THE SNOWTHROWER FROM STORAGE

When removing the snowthrower from storage, follow the steps below.

1. Put the upper handle in the operating position, tighten the knobs that secure the upper handle.
2. Fill the fuel tank with a fresh fuel-oil mixture. See “How to Mix The Fuel Mixture” in the Operation section.
3. Lubricate the auger bail and idler arm.
4. Check the spark plug. Make sure the gap is correct. If the spark plug is worn or damaged, replace before using.
5. Make sure all fasteners are tight.
6. Make sure all guards, shields, and covers are in place.
7. Make sure all adjustments are correct.

TROUBLE SHOOTING CHART

PROBLEM	LOOK FOR	REMEDY
Difficult starting	Defective spark plug.	Replace defective spark plug.
Engine runs erratically	Blocked fuel line.	Clean fuel line.
	Empty gas tank.	Check fuel supply,
	Stale gasoline.	Add fresh gasoline.
	Water or dirt in fuel system.	Remove carburetor bowl to drain fuel tank. Refill with fresh fuel. CAUTION: Do not remove carburetor bowl when the engine is hot.
Engine stalls	Unit running on CHOKE.	Set choke lever to RUN position.
Loss of power	Gas cap vent hole is plugged.	Remove ice and snow from cap. Be sure vent hole is clear.
Excessive vibration	Loose parts.	Stop engine immediately and remove spark plug wire. Tighten all bolts and make all necessary repairs. If vibration continues, have the unit serviced by a competent repairman.
Unit fails to propel itself	Drive belt loose or damaged.	Replace drive belt. Refer to Drive Belt Replacement in the Maintenance section of this manual.
	Incorrect adjustment of traction drive cable.	Adjust traction drive cable. Refer to Cable Adjustment in the Maintenance section of this manual.
Unit fails to discharge snow	Auger drive belt loose or damaged.	Replace or adjust auger drive belt. Refer to Drive Belt Replacement and Drive Belt Adjustment in the Maintenance section of this manual.
	Auger control cable not adjusted correctly.	Adjust auger control cable. Refer to Cable Adjustment in the Maintenance section of this manual.
	Discharge chute clogged.	Stop engine immediately and disconnect spark plug wire. Refer to the first Warning in Snowthrower Operation in the Operation section of this manual. Clean discharge chute and inside of auger housing.
	Foreign object lodged in auger.	Stop engine immediately and disconnect spark plug wire. Remove object from auger housing.

Identifying Your Snowthrower

Your new snowthrower has two (2) identifying numbers: (1) unit model number: (2) unit serial number. The two preceding numbers are required to insure that the proper replacement parts are obtained when required. If you have any questions concerning parts, service, or technical data, contact your nearest Authorized dealer.

For complete warranty information refer to the warranty in the Owner's Information section of this manual.

