

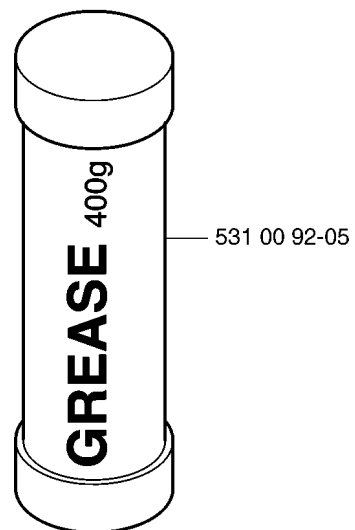
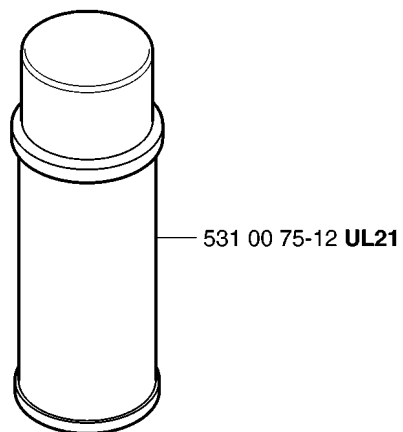
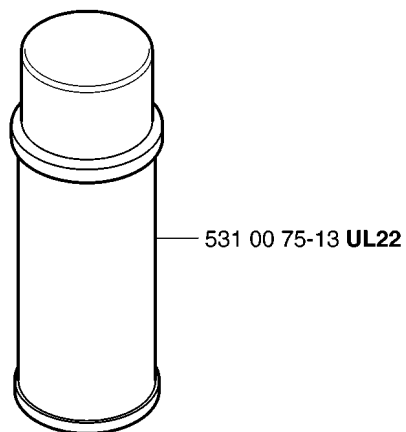
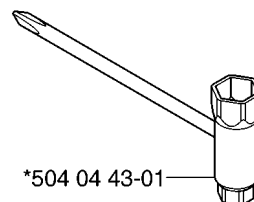
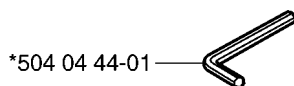
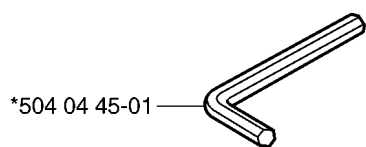


SPARE PARTS LIST

HEDGE TRIMMERS/POLE HEDGE
TRIMMERS

123 HD60, 2007-02

N Accessories
Zubehöre
Accessoires
Accesorios
Tillbehör
*compl 504 04 46-01



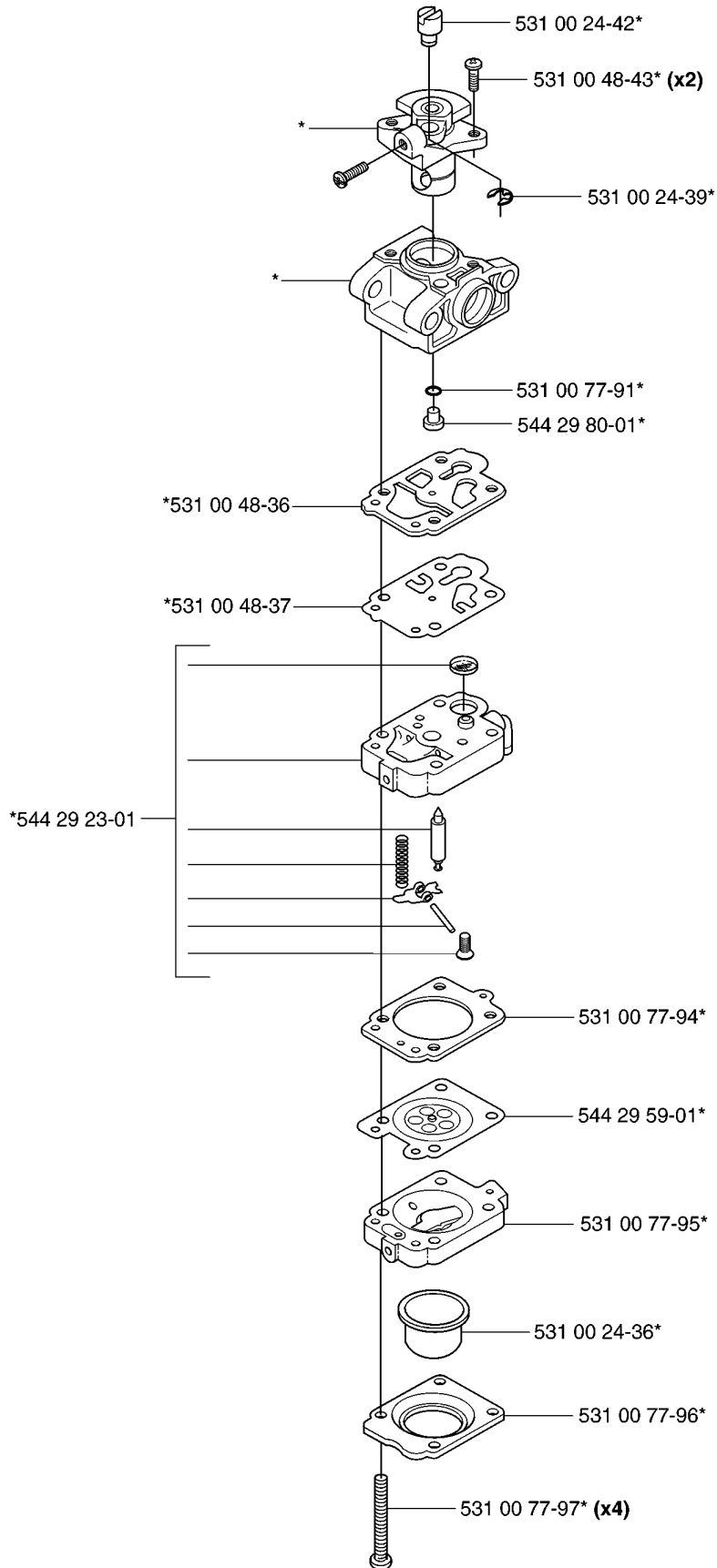
ACCESSORIES

123 HD60, 2007-02

Part No	Description	Remark	QTY KIT
504 04 43-01	COMBINATION WRENCH		1
504 04 44-01	HEX KEY		1
504 04 45-01	HEX KEY		1
504 04 46-01	ACCESSORY BAG		1
531 00 75-12	GREASE		1
531 00 75-13	GREASE		1
531 00 92-05	GREASE		1

M *compl 544 30 43-01 Walbro WYL

Walbro WYL

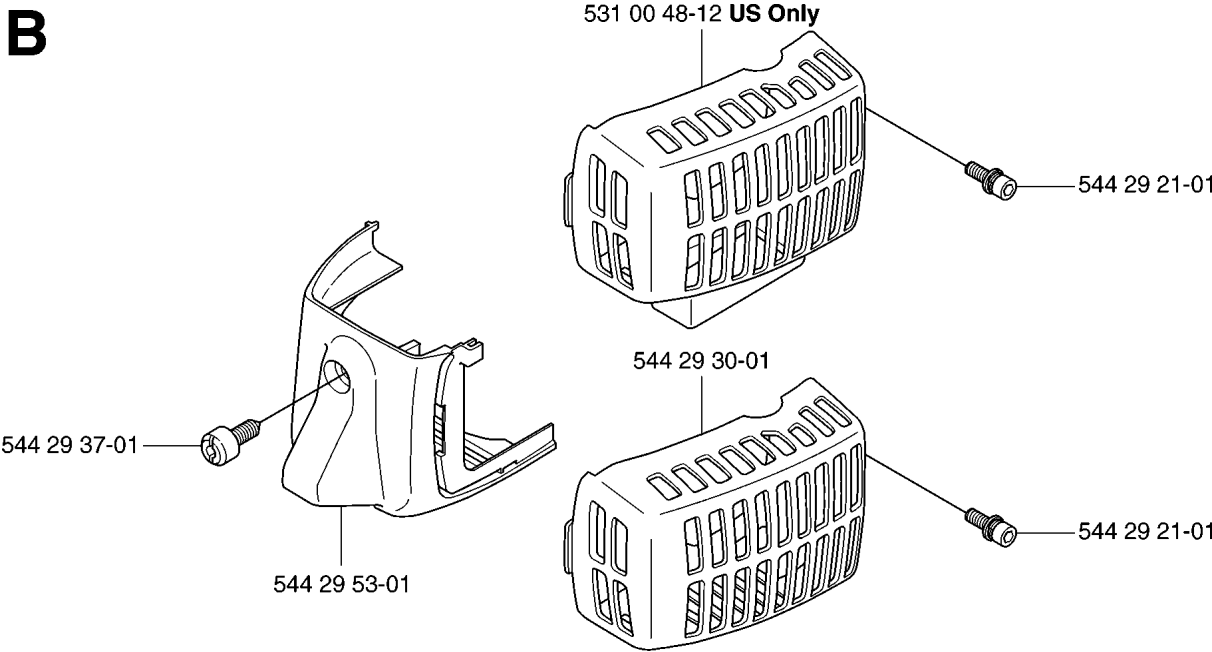


CARBURETOR

123 HD60, 2007-02

Part No	Description	Remark	QTY KIT
531 00 24-36	PRIMER		1
531 00 24-39	RETAINING RING		1
531 00 24-42	CONNECTION		1
531 00 48-36	MOULDING		1
531 00 48-37	SPÄNNHJUL		1
531 00 48-43	RING		2
531 00 77-91	RING		1
531 00 77-94	GASKET		1
531 00 77-95	HOUSING		1
531 00 77-96	PLATE		1
531 00 77-97	SCREW		4
544 29 23-01	PUMP HOUSING		1
544 29 59-01	DIAPHRAGM CARBURETTOR		1
544 29 80-01	MAIN JET		1
544 30 43-01	CARBURETTOR		1

B

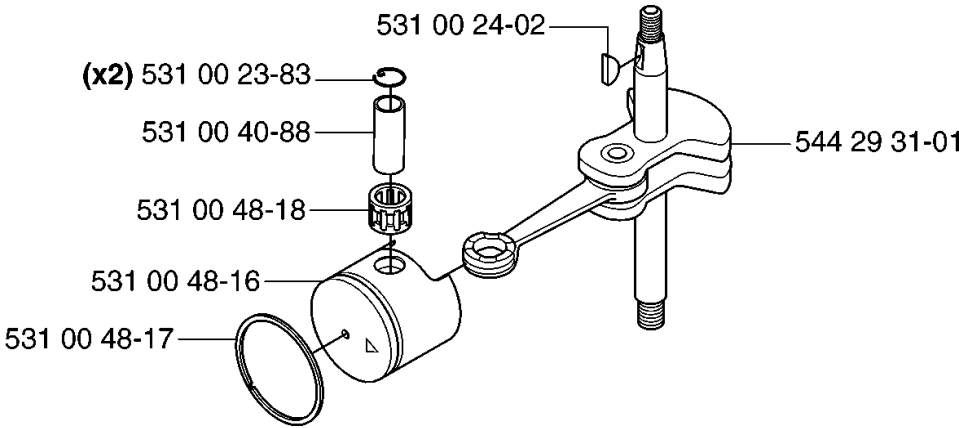


COVER

123 HD60, 2007-02

Part No	Description	Remark	QTY KIT
531 00 48-12	PULL ROD		1
544 29 21-01	SCREW		1
544 29 21-01	SCREW		1
544 29 30-01	MUFFLER COVER		1
544 29 37-01	KNOB		1
544 29 53-01	CYLINDER COVER		1

H

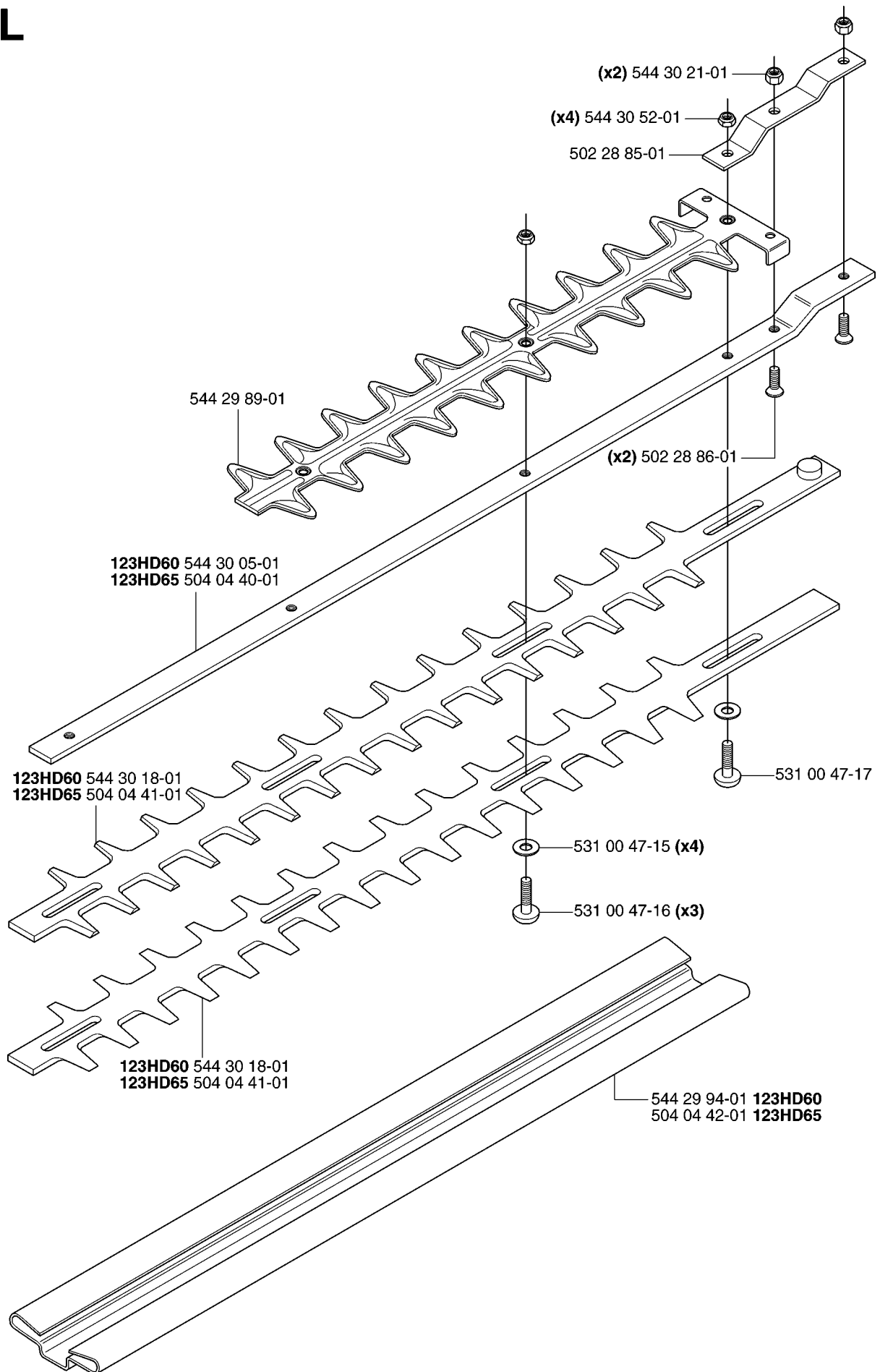


CRANKSHAFT

123 HD60, 2007-02

Part No	Description	Remark	QTY KIT
531 00 23-83	CLIP		2
531 00 24-02	KEY		1
531 00 40-88	PISTON BOLT		1
531 00 48-16	DRIVE SHAFT		1
531 00 48-17	PISTON RING		1
531 00 48-18	MACHINE HOLDER		1
544 29 31-01	SHAFT ASSY		1

L

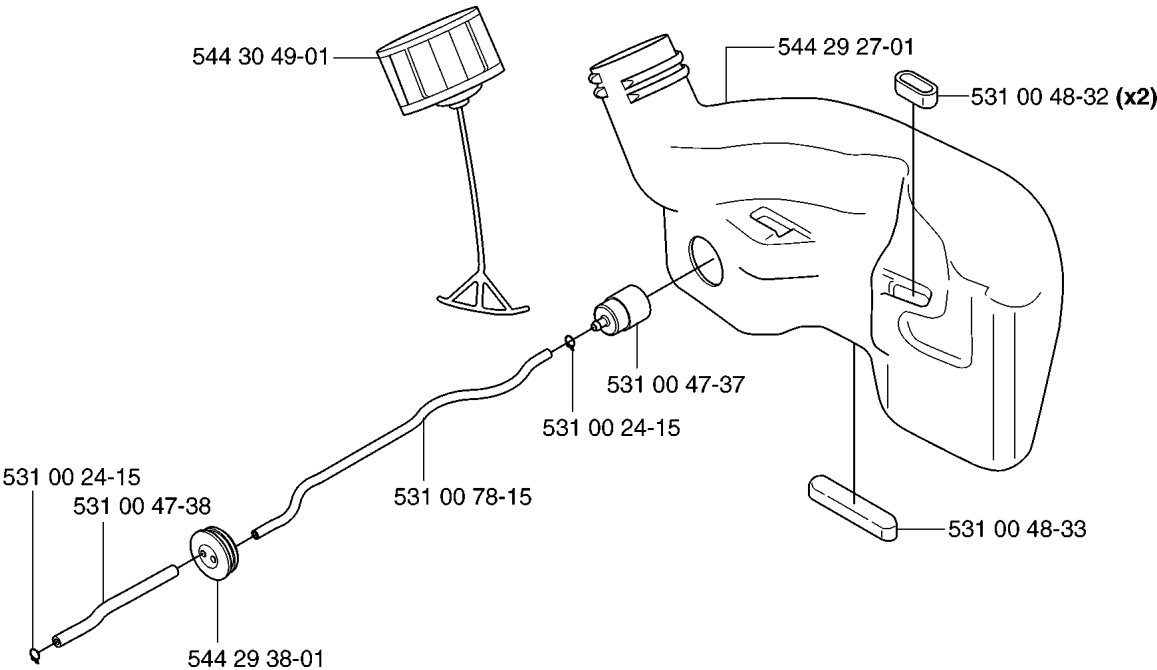


CUTTING EQUIPMENT

123 HD60, 2007-02

Part No	Description	Remark	QTY KIT
502 28 85-01	PLATE		1
502 28 86-01	SCREW		2
504 04 40-01	GUIDE PLATE		1
504 04 41-01	BLADE		1
504 04 41-01	BLADE		1
504 04 42-01	COVER		1
531 00 47-15	WASHER		4
531 00 47-16	SCREW		3
531 00 47-17	SCREW		1
544 29 89-01	BLADE GUARD HEDGETRIMMER	Changed design, now with 7 teeth	1
544 29 94-01	TRANSPORT GUARD		1
544 30 05-01	GUIDE PLATE		1
544 30 18-01	BLADE		1
544 30 18-01	BLADE		1
544 30 21-01	NUT		2
544 30 52-01	NUT		4

D

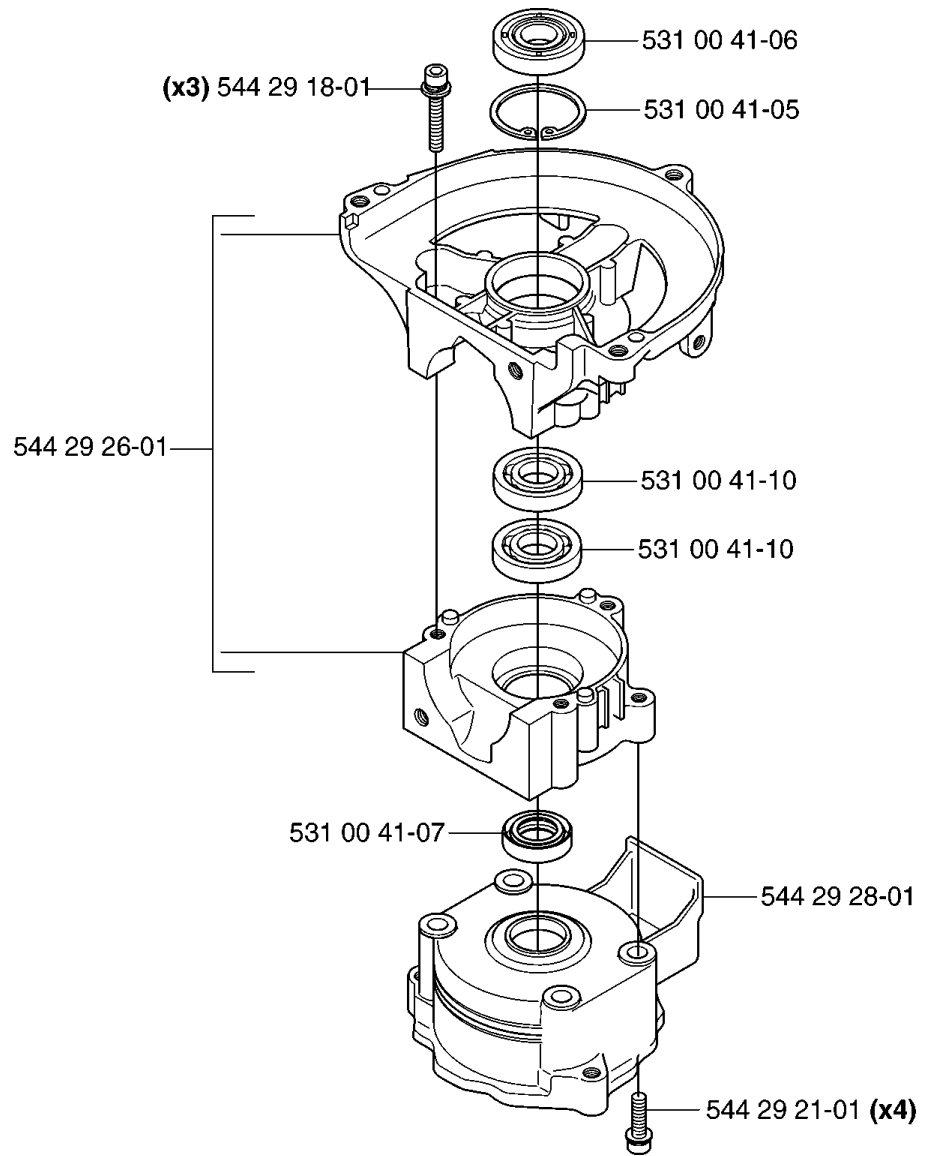


FUEL TANK

123 HD60, 2007-02

Part No	Description	Remark	QTY KIT
531 00 24-15	CLIP		1
531 00 24-15	CLIP		1
531 00 47-37	FILTER		1
531 00 47-38	HOSE		1
531 00 48-32	EXPANDER		2
531 00 48-33	PIPE		1
531 00 78-15	HOSE		1
544 29 27-01	FUEL TANK		1
544 29 38-01	GROMMET		1
544 30 49-01	TANK CAP ASSY		1

G

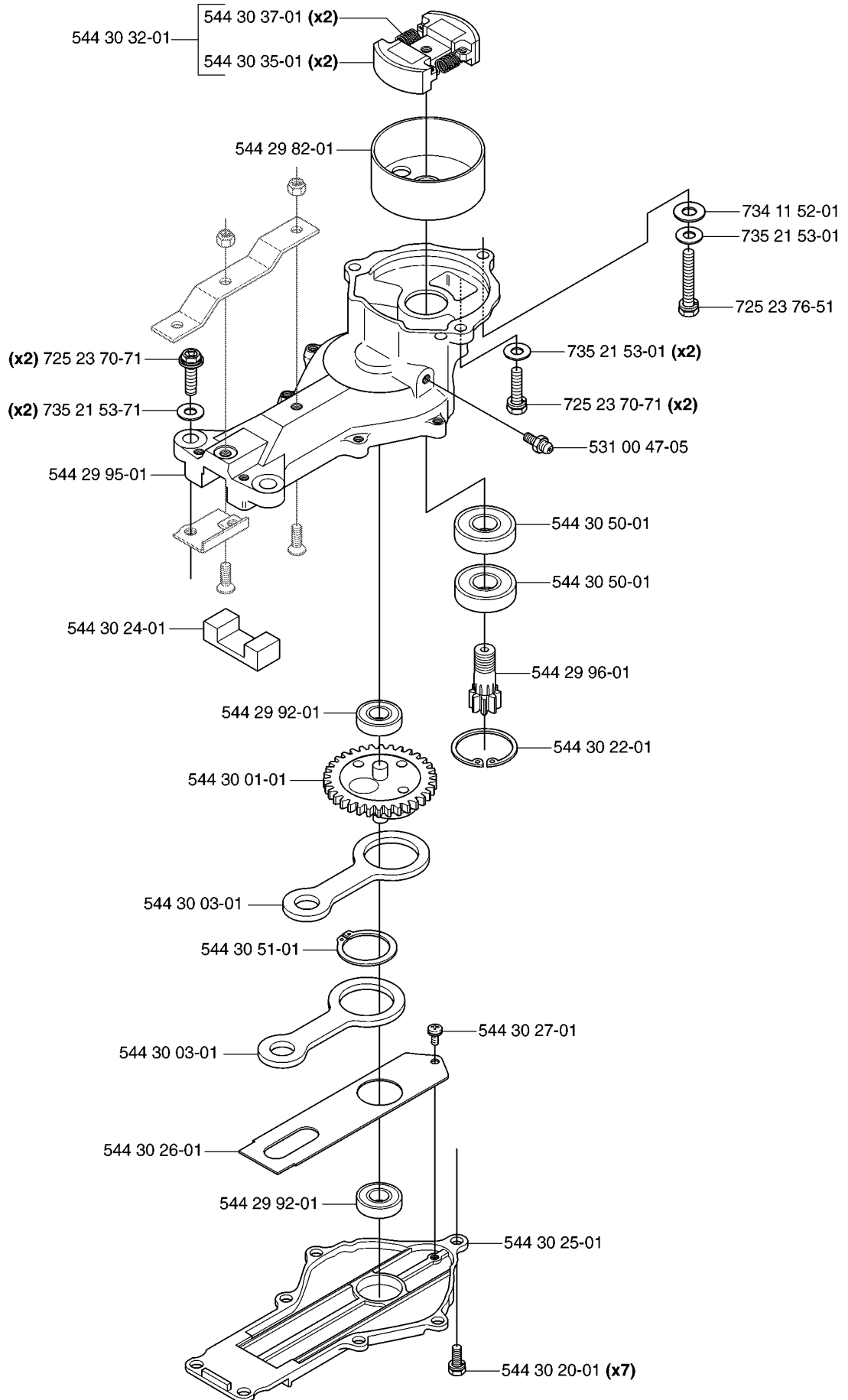


GEAR HOUSING

123 HD60, 2007-02

Part No	Description	Remark	QTY KIT
531 00 41-05	RETAINING RING		1
531 00 41-06	SEALING RING		1
531 00 41-07	SEALING RING		1
531 00 41-10	BALL BEARING		1
531 00 41-10	BALL BEARING		1
544 29 18-01	SCREW		3
544 29 21-01	SCREW		4
544 29 26-01	CRANKCASE ASSY		1
544 29 28-01	CLUTCH COVER		1

K

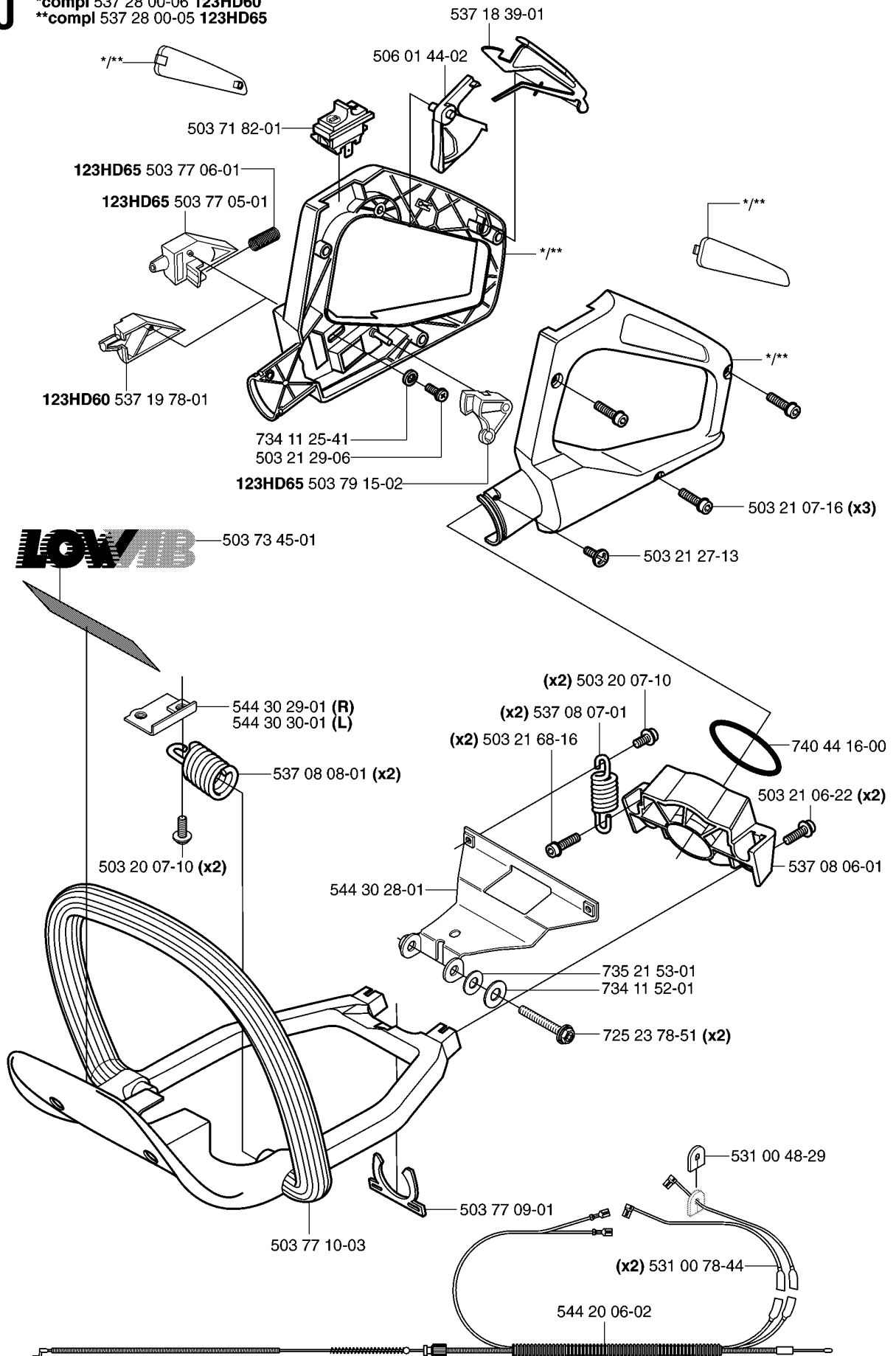


GEAR HOUSING

123 HD60, 2007-02

Part No	Description	Remark	QTY KIT
531 00 47-05	NIPPLE		1
544 29 82-01	DRUM		1
544 29 92-01	BEARING		1
544 29 92-01	BEARING		1
544 29 95-01	HOUSING		1
544 29 96-01	PINION		1
544 30 01-01	CRANK		1
544 30 03-01	ROD		1
544 30 03-01	ROD		1
544 30 20-01	SCREW		7
544 30 22-01	SNAP RING		1
544 30 24-01	FELT		1
544 30 25-01	HOUSING		1
544 30 26-01	PLATE		1
544 30 27-01	SCREW		1
544 30 32-01	CLUTCH ASSY		1
544 30 35-01	CLUTCH SHOE		2
544 30 37-01	SPRING		2
544 30 50-01	BEARING		1
544 30 50-01	BEARING		1
544 30 51-01	SNAP RING		1
725 23 70-71	SCREW EHHM		2
725 23 70-71	SCREW EHHM		2
725 23 76-51	SCREW EHHM		1
734 11 52-01	WASHER		1
735 21 53-01	LOCKWASHER		2
735 21 53-01	LOCKWASHER		1

J *compl 537 28 00-06 123HD60
**compl 537 28 00-05 123HD65

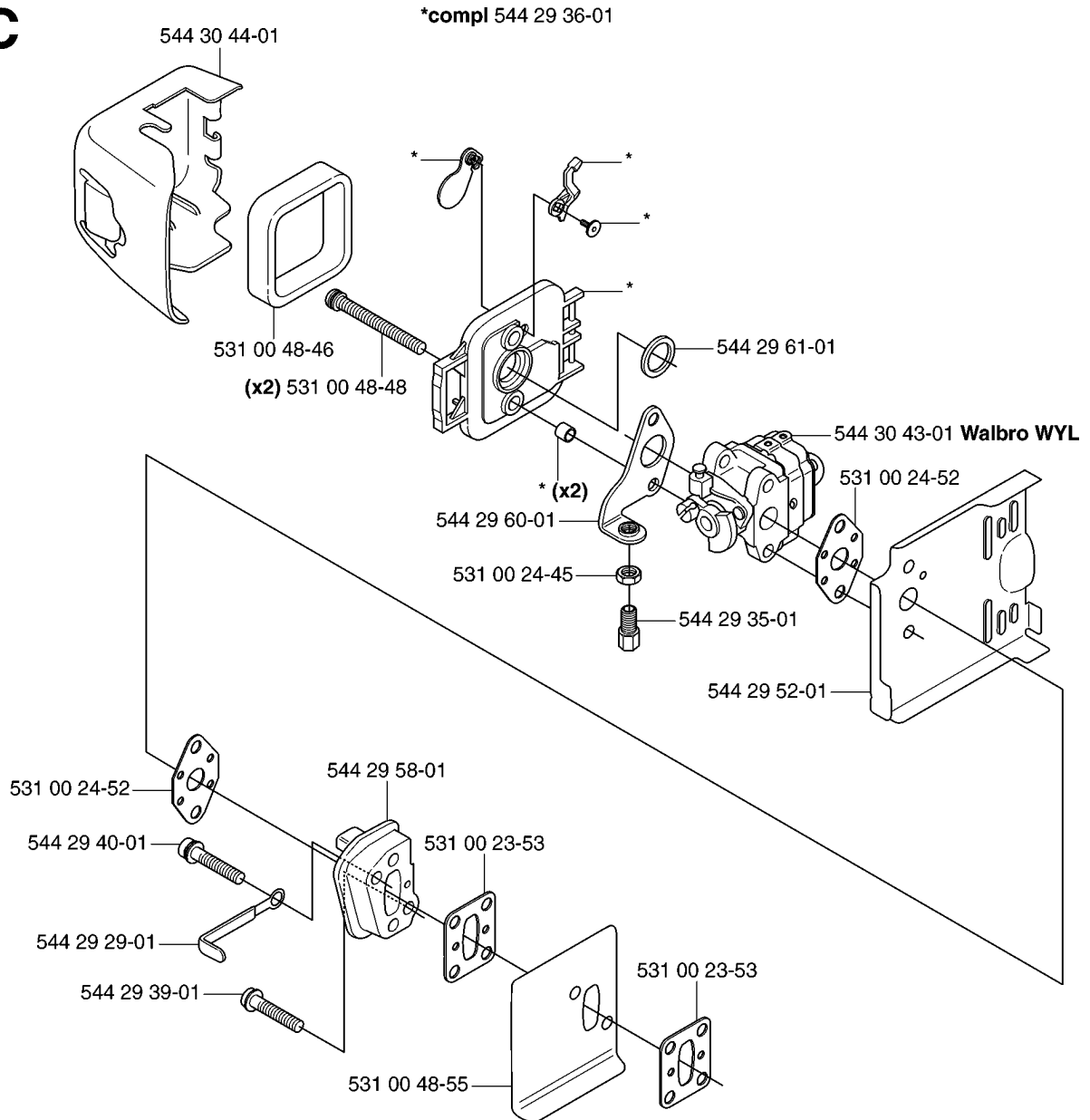


HANDLE & CONTROLS

123 HD60, 2007-02

Part No	Description	Remark	QTY KIT
503 20 07-10	SCREW IHSCFM		2
503 20 07-10	SCREW IHSCFM		2
503 21 06-22	SCREW IHSCFM		2
503 21 07-16	SCREW IHSCFM		3
503 21 27-13	SCREW CCRPANT		1
503 21 29-06	SCREW CCRPANT		1
503 21 68-16	SCREW IHSCFM		2
503 71 82-01	SWITCH		1
503 73 45-01	LABEL		1
503 77 05-01	LOCKING BUTTON		1
503 77 06-01	RECOIL SPRING		1
503 77 09-01	SECURING PLATE		1
503 77 10-03	FRONT HANDLE		1
503 79 15-02	LATCH		1
506 01 44-02	THROTTLE TRIGGER		1
531 00 48-29	ATTACHMENT		1
531 00 78-44	SHORTING LEAD		2
537 08 06-01	SPRING		1
537 08 07-01	SPRING		2
537 08 08-01	SPRING		2
537 18 39-01	THROTTLE LOCKOUT		1
537 19 78-01	COVER		1
537 28 00-05	HANDLE ASSY		1
537 28 00-06	HANDLE ASSY		1
544 20 06-02	WIRING ASSY		1
544 30 28-01	STAY		1
544 30 29-01	STAY		1
544 30 30-01	STAY		1
725 23 78-51	SCREW EHHM		2
734 11 25-41	WASHER		1
734 11 52-01	WASHER		1
735 21 53-01	LOCKWASHER		1
740 44 16-00	O-RING		1

C

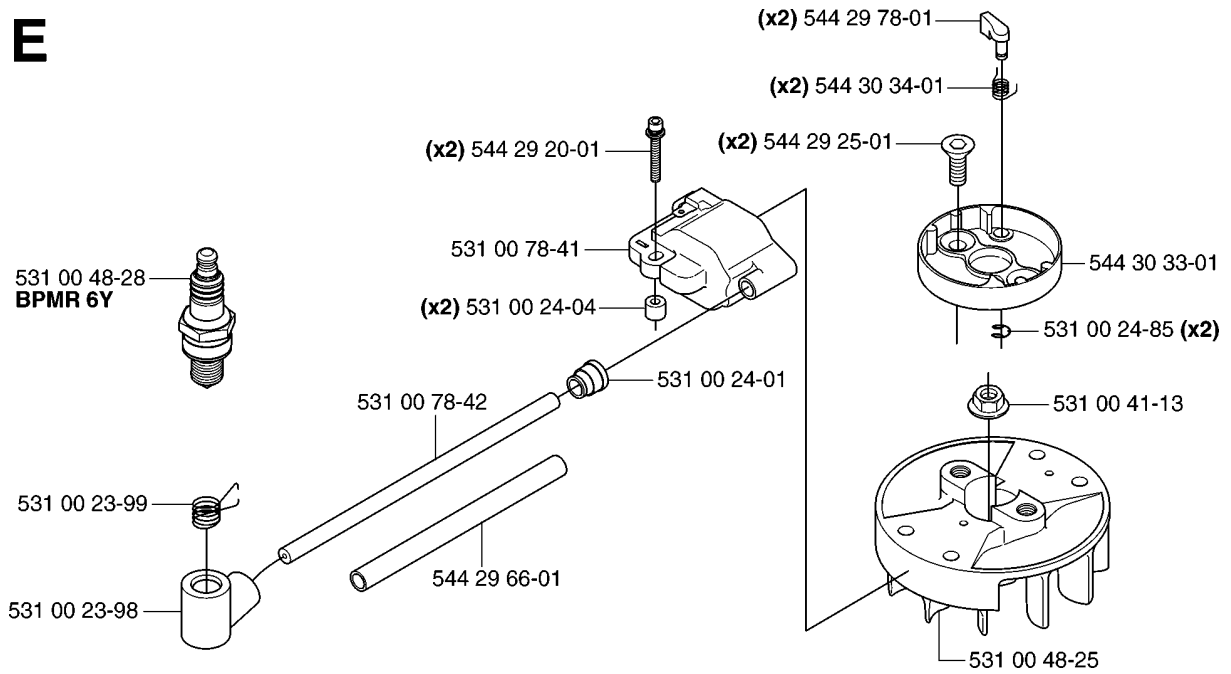


HOUSING

123 HD60, 2007-02

Part No	Description	Remark	QTY KIT
531 00 23-53	GASKET		1
531 00 23-53	GASKET		1
531 00 24-45	NUT		1
531 00 24-52	GASKET		1
531 00 24-52	GASKET		1
531 00 48-46	STYRTAPP	AIR FILTER	1
531 00 48-48	WASHER		2
531 00 48-55	GASKET		1
544 29 29-01	CLAMP		1
544 29 35-01	ADAPTER		1
544 29 36-01	HOUSING ASSY		1
544 29 39-01	SCREW		1
544 29 40-01	SCREW		1
544 29 52-01	BAFFLE PLATE		1
544 29 58-01	INSULATOR		1
544 29 60-01	STAY		2
544 29 61-01	GASKET		1
544 30 43-01	CARBURETTOR		1
544 30 44-01	COVER		1

E

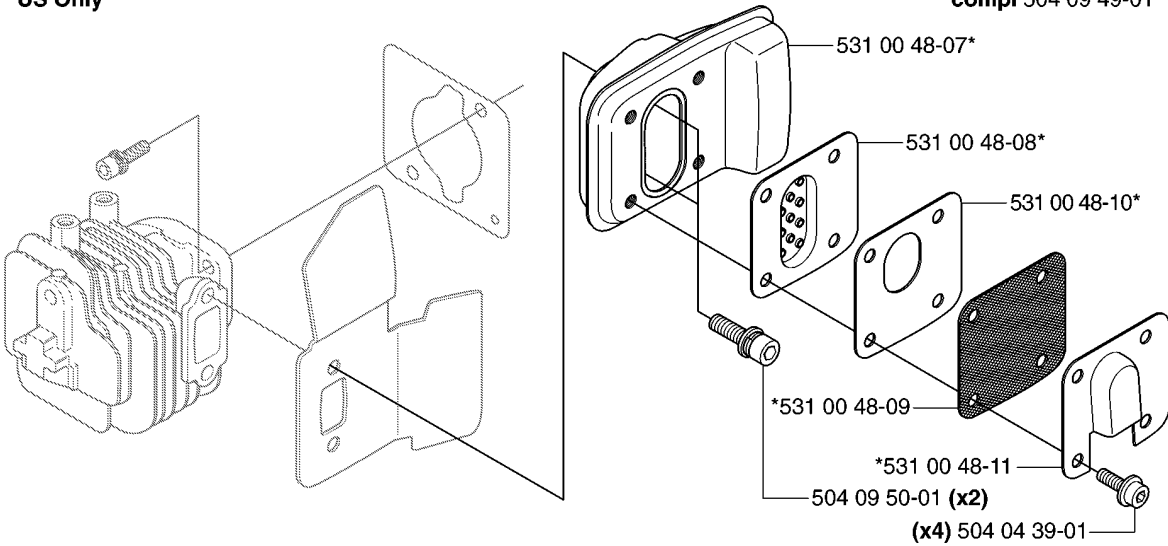


IGNITION SYSTEM

123 HD60, 2007-02

Part No	Description	Remark	QTY KIT
531 00 23-98	SPARK PLUG CONNECTION		1
531 00 23-99	SPRING		1
531 00 24-01	SLEEVE		1
531 00 24-04	SPACER		2
531 00 24-85	RETAINING RING		2
531 00 41-13	NUT		1
531 00 48-25	SPLASH GUARD		1
531 00 48-28	SPARK PLUG		1
531 00 78-41	IGNITION MODULE		1
531 00 78-42	CABLE		1
544 29 20-01	SCREW		2
544 29 25-01	SCREW		2
544 29 66-01	INSULATOR		1
544 29 78-01	PAWL		2
544 30 33-01	HOUSING		1
544 30 34-01	RECOIL SPRING		2

F US Only

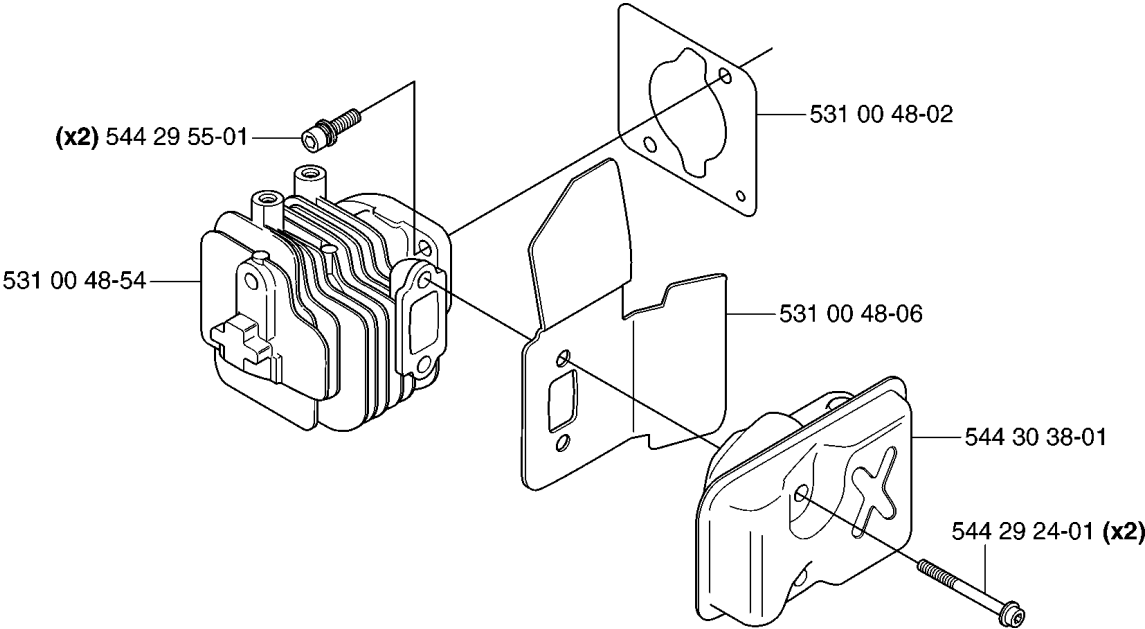


MUFFLER

123 HD60, 2007-02

Part No	Description	Remark	QTY KIT
504 04 39-01	SCREW		4
504 09 49-01	MUFFLER ASSY		1
504 09 50-01	SCREW		2
531 00 48-07	SPACER		1
531 00 48-08	END PLATE		1
531 00 48-09	BEARING PLATE		1
531 00 48-10	SHAFT		1
531 00 48-11	NUT		1

F

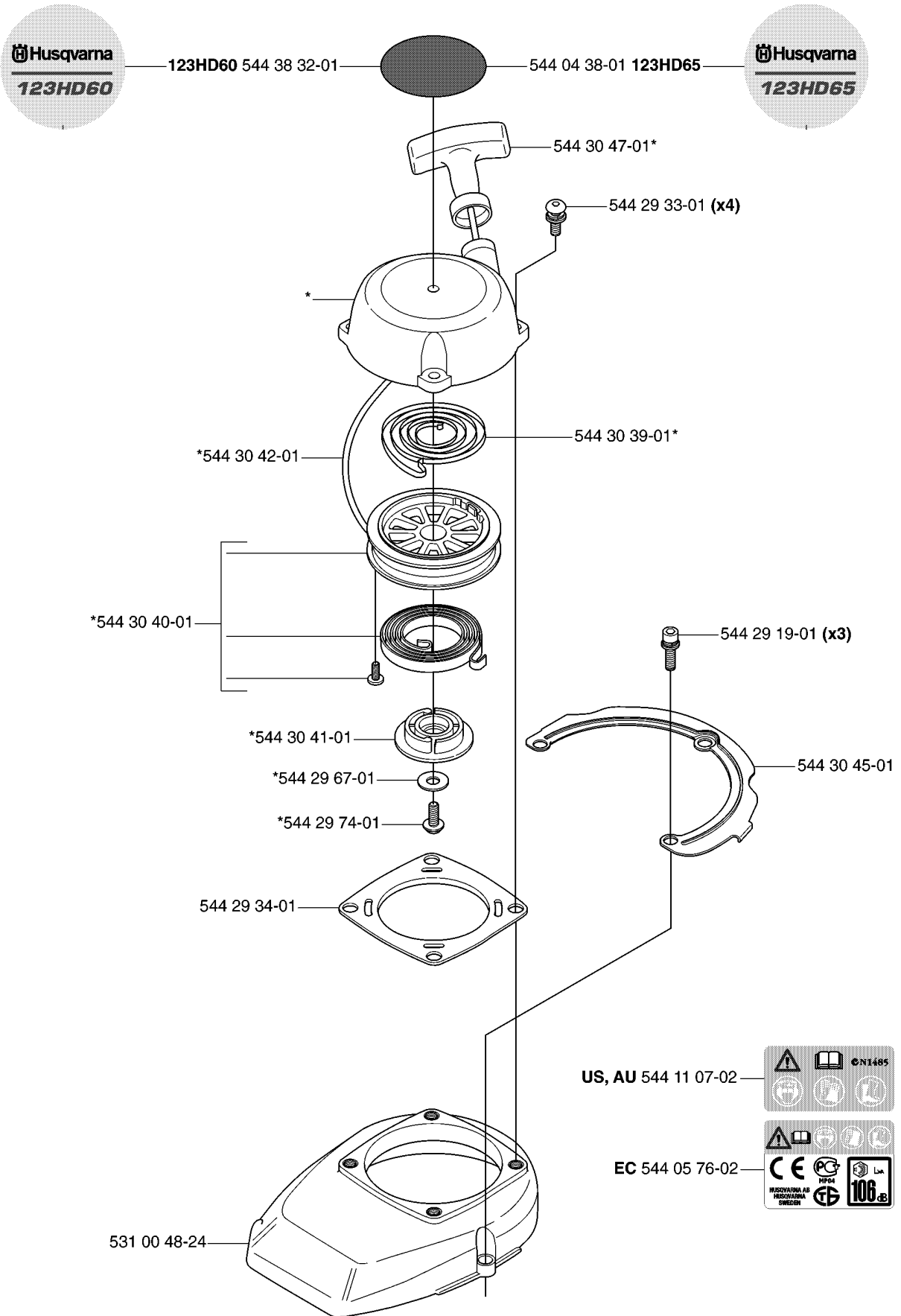


MUFFLER

123 HD60, 2007-02

Part No	Description	Remark	QTY KIT
531 00 48-02	GEAR		1
531 00 48-06	SHAFT		1
531 00 48-54	SPRING PIN		1
544 29 24-01	SCREW		2
544 29 55-01	SCREW		2
544 30 38-01	MUFFLER		1

A *compl 544 30 46-01



US, AU 544 11 07-02

EC 544 05 76-02

STARTER

123 HD60, 2007-02

Part No	Description	Remark	QTY KIT
531 00 48-24	COVER		1
544 05 76-02	LABEL		1
544 11 07-02	LABEL		1
544 29 19-01	SCREW		3
544 29 33-01	SCREW		4
544 29 34-01	PLATE		1
544 29 67-01	WASHER		1
544 29 74-01	SCREW		1
544 30 39-01	RECOIL SPRING		1
544 30 40-01	SPRING CASSETTE ASSY		1
544 30 41-01	STARTER PULLEY		1
544 30 42-01	STARTER CORD		1
544 30 45-01	PLATE		1
544 30 46-01	STARTER ASSY		1
544 30 47-01	STARTER HANDLE		1
544 38 32-01	DECAL		1