

EZ17, EZ21

Spare parts

Ersatzteile

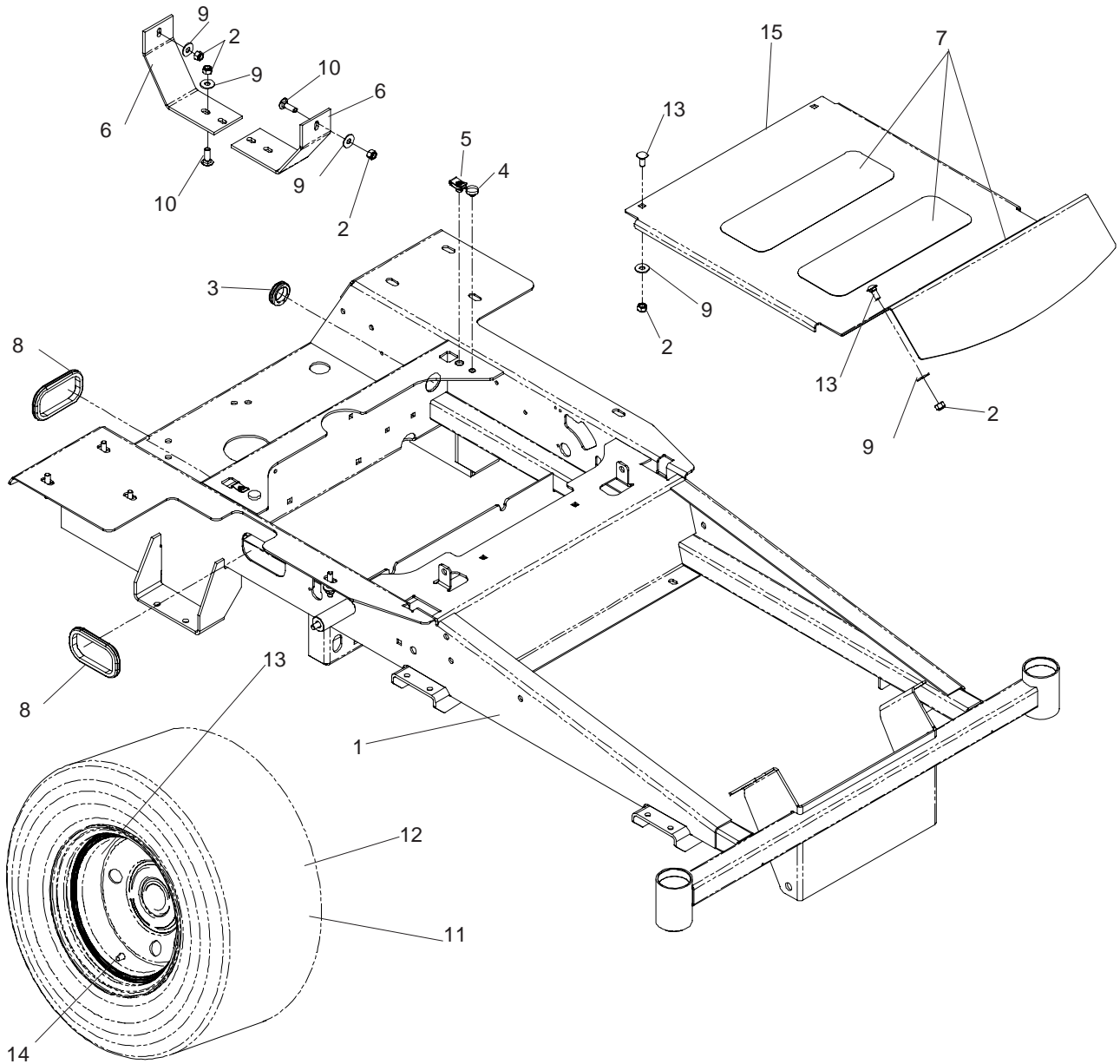
Pièces détachées

Reserve onderdelen

Repuestos

Reservdelar

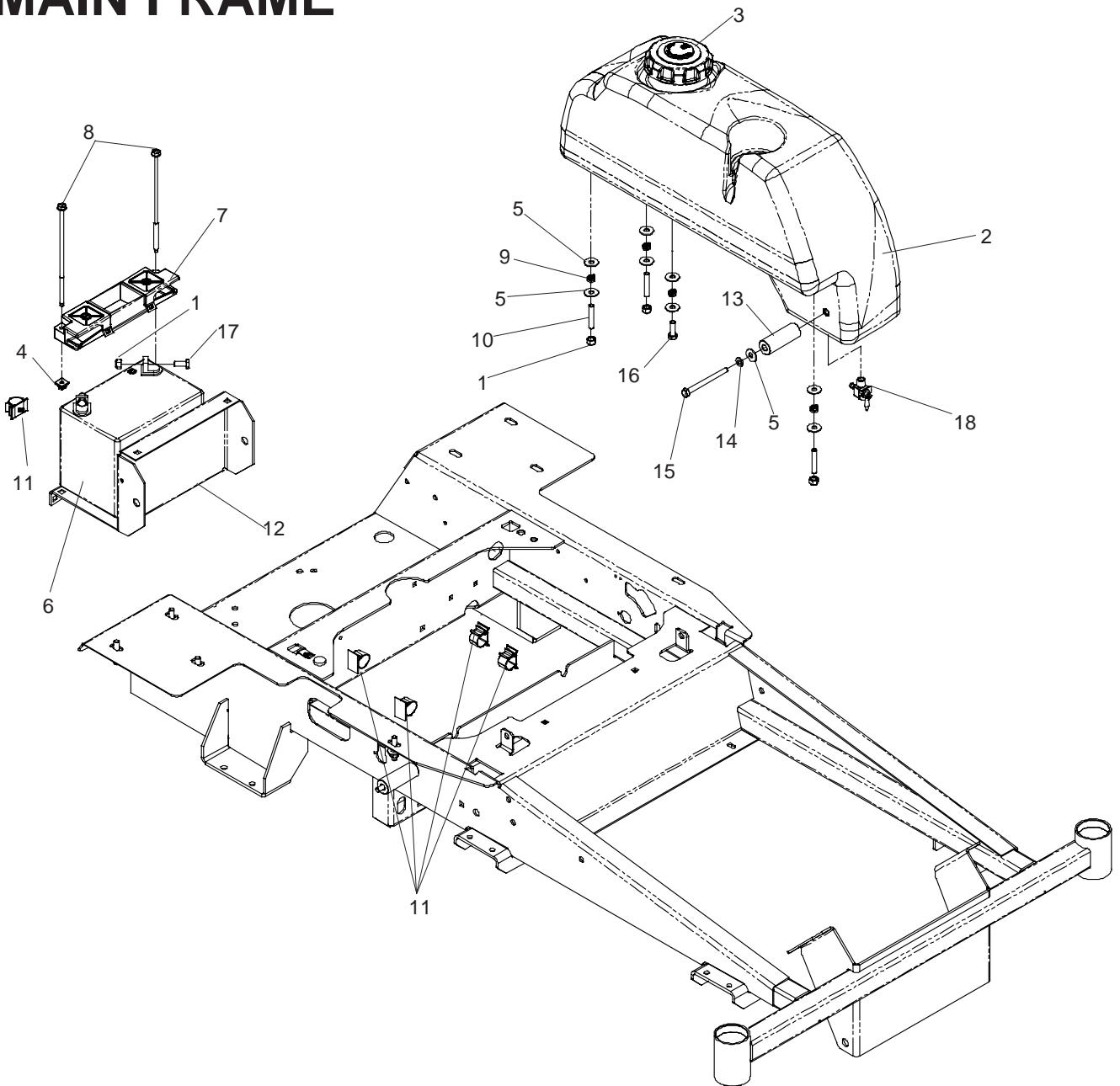
MAIN FRAME



ITEM	P/N	QTY	DESCRIPTION
1...	539 112798 ...	1 ...	MAIN FRAME W/DECALS
2...	539 990717 ...	5 ...	NUT, 5/16-18, NYLOC
3...	539 105974 ...	1 ...	RUBBER GROMMET
4...	539 102587 ...	2 ...	GROMMET, BUMPER
5...	539 104763 ...	2 ...	NUT, 5/16-18, U TYPE
6...	539 112783 ...	4 ...	SKID PLATE
7...	539 977778 ...	3 ...	PAD, ABRASIVE
8...	539 107116 ...	2 ...	GROMMET
9...	539 990692 ...	7 ...	WASHER, 5/16
10...	539 990208 ...	6 ...	RHSNB, 5/16-18 x 1, GR5

ITEM	P/N	QTY	DESCRIPTION
11...	539 112212 ...	2 ...	TIRE ASSM, 968999502
	... 539 112215 ...	2 ...	TIRE ASSM, 968999503
12...	539 112216 ...	1 ...	TIRE, 968999503
	... 539 112213 ...	1 ...	TIRE, 968999502
13...	539 112217 ...	1 ...	RIM, 968999503
	... 539 112214 ...	1 ...	RIM, 968999502
14...	539 912234 ...	1 ...	VALVE STEM
15...	539 112228 ...	1 ...	FLOOR PAN

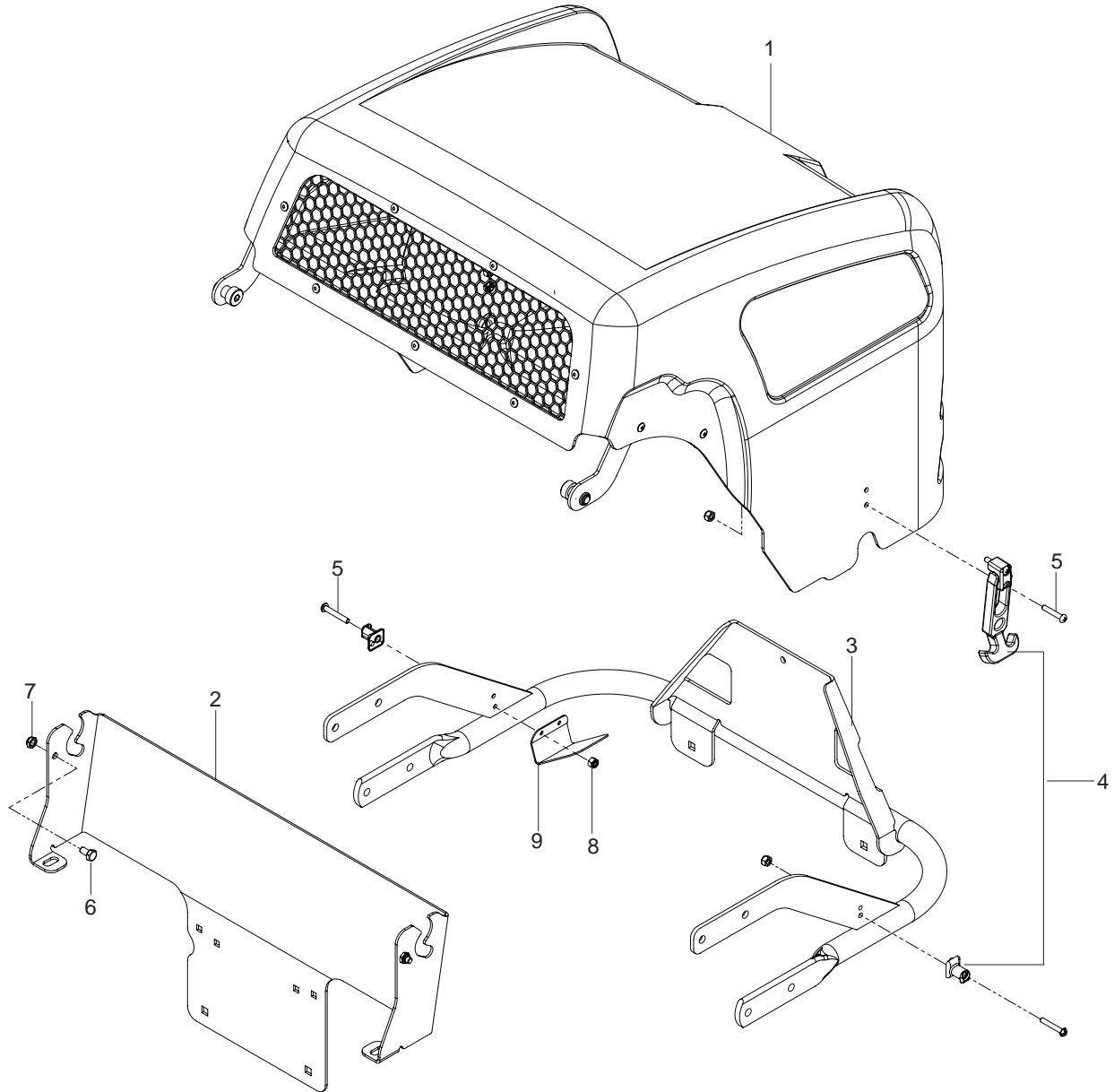
MAIN FRAME



ITEM	PART NO.	QTY.	DESCRIPTION
1...	539 990717	2 ...	NUT, $\frac{5}{16}$ -18, NYLOC
2...	539 104409	1 ...	FUEL TANK, LEFT
3...	539 106188	1 ...	FUEL CAP
4...	539 107629	2 ...	PUSH NUT, NYLON
5...	539 990692	9 ...	WASHER, $\frac{5}{16}$
6...	539 102436	1 ...	BATTERY, DRY
7...	539 107628	1 ...	BATTERY HOLD DOWN
8...	539 107632	2 ...	BOLT, $\frac{1}{4}$ x $7\frac{1}{2}$, SPEC.
9...	539 102845	8 ...	SPRING, TANK MOUNT
10...	539 102502	6 ...	TANK STUD, FUEL, $\frac{5}{16}$ C
11...	539 110815	5 ...	PUSH MOUNT, WIRE CLIP

ITEM	PART NO.	QTY.	DESCRIPTION
12...	539 112408	1 ...	BATTERY TRAY
13...	539 112446	2 ...	TANK SPACER
14...	539 990187	2 ...	LOCKWASHER, $\frac{5}{16}$
15...	539 107270	2 ...	HCS, $\frac{5}{16}$ -18 x $3\frac{1}{2}$, GR5
16...	539 990209	2 ...	HCS, $\frac{5}{16}$ -18 x 1, GR5
17...	539 976934	2 ...	HCS, $\frac{5}{16}$ -18 x $\frac{3}{4}$, GR5
18...	539 916325	1 ...	FUEL VALVE
NOT SHOWN			
...	539 112409	1 ...	WIRE HARNESS
...	539 110068	1 ...	BATTERY CBL, NEGATIVE

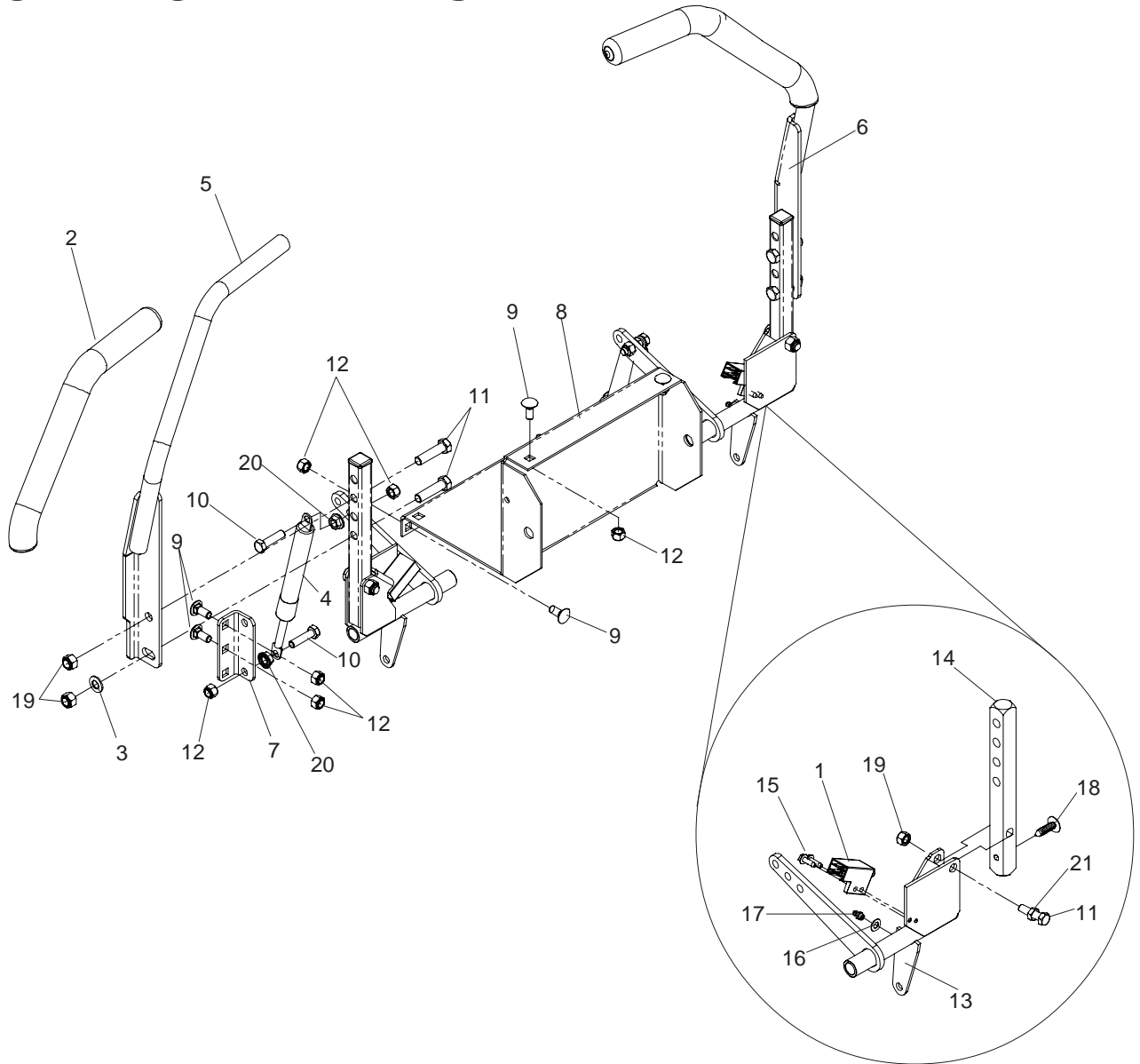
HOOD ASSEMBLY



ITEM	P/N	QTY	DESCRIPTION
1	539 113624	1	HOOD ASSEMBLY, EZ
2	539 113612	1	SUPPORT, HOOD
3	539 113617	1	BUMPER WELDMENT
4	539 200478	2	DRAW LATCH ASSY
5	539 111186	6	SCR, #10-24 x 1 1/8, MACH

ITEM	P/N	QTY	DESCRIPTION
6	539 990071	2	HCS 1/4-20 x 1/2 GR 5 ZD
7	539 108120	2	NUT 1/4-20 HEX NYLOC ZD
8	539 976977	6	NUT #10-24 HEX NYLOC
9	539 130222	1	DEFLECTOR, HEAT

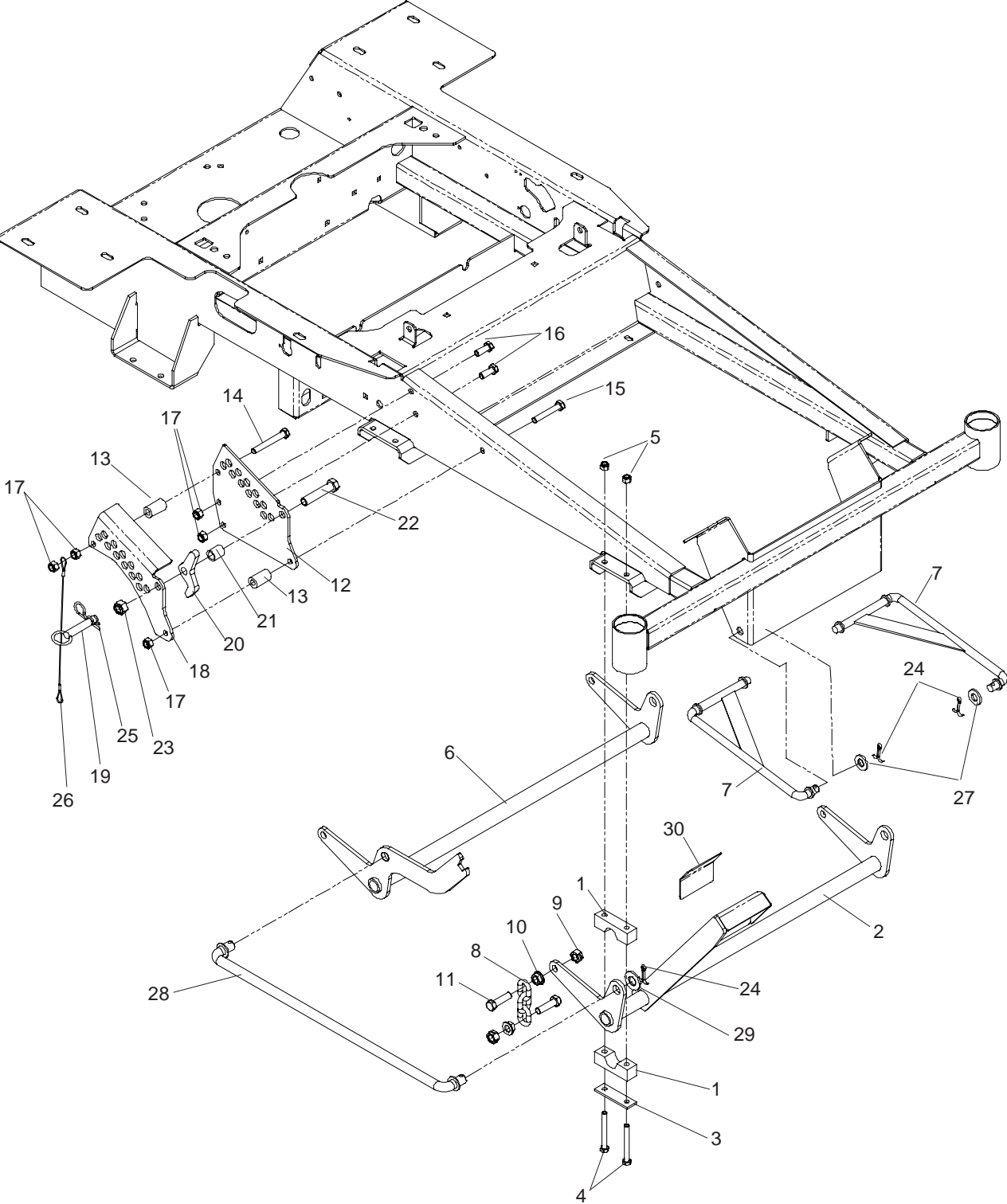
CONTROL LEVERS



ITEM	P/N	QTY	DESCRIPTION
1...	539 101080 ...	3 ...	SWITCH, INTERLOCK
2...	539 102592 ...	2 ...	CUSHION, DRIVE LEVER
3...	539 102593 ...	2 ...	LOCKWASHER, $\frac{3}{8}$, SPEC.
4...	539 102720 ...	2 ...	DAMPENER
5...	539 110826 ...	1 ...	DRIVE LEVER, RIT
6...	539 110827 ...	1 ...	DRIVE LEVER, LT
7...	539 112300 ...	2 ...	DAMPENER BRACKET
8...	539 112408 ...	1 ...	BATTERY TRAY
9...	539 990316 ...	3 ...	RHSNB, $\frac{5}{16}$ -18 x $\frac{3}{4}$, GR5
10...	539 990627 ...	4 ...	HCS, $\frac{5}{16}$ -18 x $1\frac{1}{4}$, GR5
11...	539 110122 ...	4 ...	HCS, $\frac{3}{8}$ -16 x $1\frac{1}{2}$, GR5

ITEM	P/N	QTY	DESCRIPTION
12...	539 990717 ...	6 ...	NUT, $\frac{5}{16}$ -18, NYLOC
13...	539 112096 ...	1 ...	CONTROL WLDT, LT
	... 539 112095 ...	1 ...	CONTROL WLDT, RT
14...	539 112088 ...	1 ...	CONTROL ARM
15...	539 991034 ...	2 ...	SCRW, 10-24 x $\frac{5}{8}$, WSR HD
16...	539 103547 ...	1 ...	WASHER
17...	539 976998 ...	1 ...	ZERK
18...	539 113107 ...	1 ...	RIVET, NYLON PUSH-IN
19...	539 976979 ...	1 ...	NUT, $\frac{3}{8}$ -16, NYLOC
20...	539 990585 ...	4 ...	NUT, $\frac{5}{16}$ -18, WHIZLK
21...	539 990546 ...	1 ...	HEX LOCKNUT $\frac{3}{8}$ -16

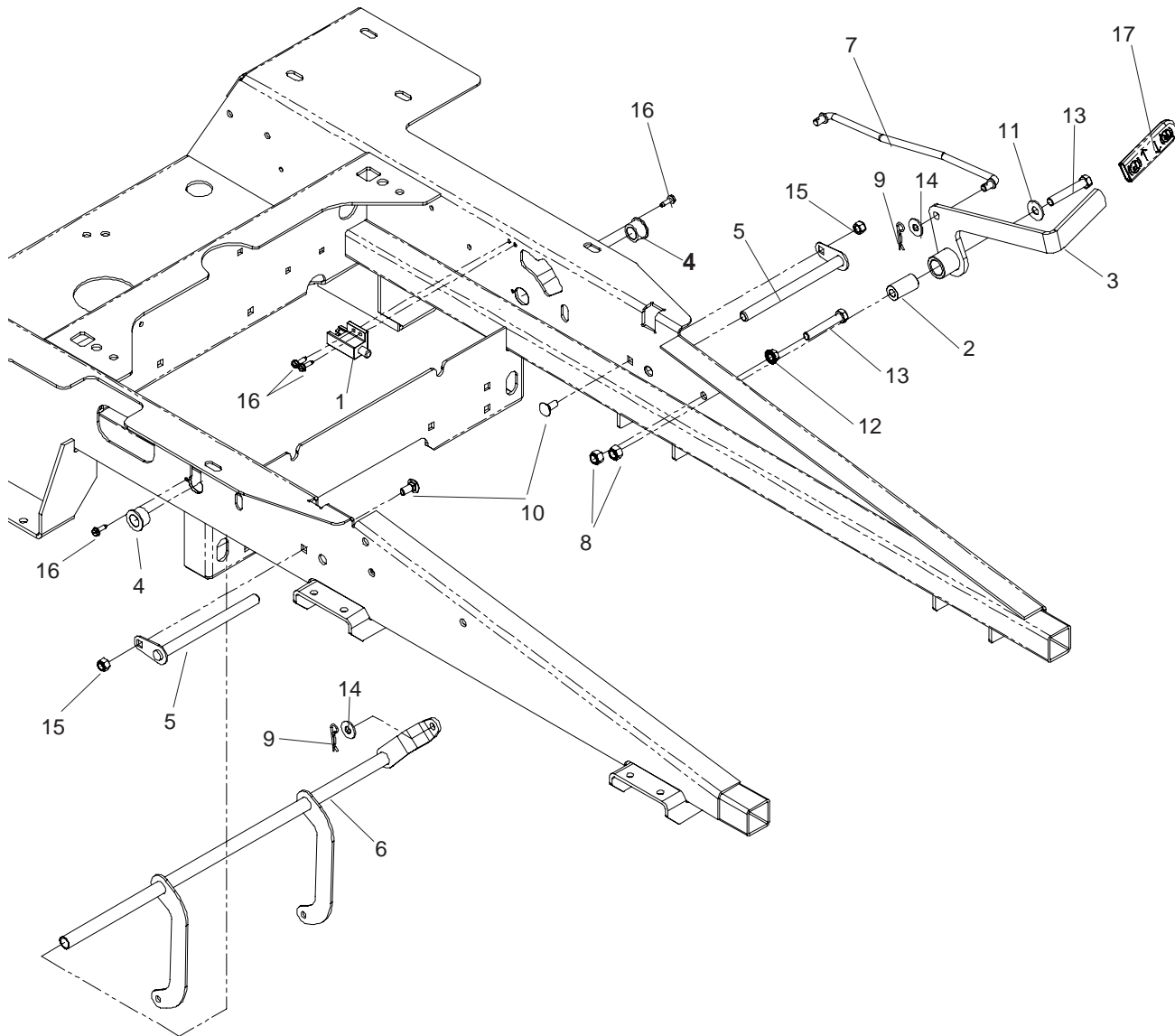
DECK LIFT



DECK LIFT

ITEM	P/N	QTY	DESCRIPTION	ITEM	P/N	QTY	DESCRIPTION
1...	539 104808	8	PILLOW BLOCK	16...	539 990563	2	HCS, $\frac{3}{8}$ -16 x 1, GR5
2...	539 112220	1	FRONT LIFT SHAFT	17...	539 976979	11	NUT, $\frac{3}{8}$ -16, NYLOC
3...	539 104807	4	REINFORCEMENT BAR	18...	539 112232	1	HT ADJ PLATE, OUTER
4...	539 101721	8	HCS, $\frac{5}{16}$ -18 x $2\frac{3}{4}$, GR5	19...	539 102526	1	LIFT PIN
5...	539 990717	2	NUT, $\frac{5}{16}$ -18, NYLOC	20...	539 112234	1	PAWL, STOP
6...	539 112224	1	REAR LIFT SHAFT	21...	539 112236	1	SPACER
7...	539 112223	2	STRUT LINKAGE	22...	539 108346	1	HCS, $\frac{1}{2}$ -13 x $2\frac{1}{2}$, GR5
8...	539 109693	4	LIFT CHAIN, 3 LINKS	23...	539 101331	1	NUT, $\frac{1}{2}$ -13, NYLOC
9...	539 990839	8	NUT, $\frac{7}{16}$ -14, CENTERLOCK	24...	539 990654	6	COTTER PIN, $\frac{5}{32}$ x $1\frac{1}{4}$
10...	539 102582	8	NUT, $\frac{7}{16}$ -14, WHIZLK	25...	539 976989	1	HAIRPIN, #4
11...	539 101175	8	HCS, $\frac{7}{16}$ -14 x $1\frac{1}{2}$, GR5	26...	539 105059	1	LANYARD
12...	539 112230	1	HEIGHT ADJUST PLATE	27...	539 990250	2	WASHER, $\frac{1}{2}$, SAE
13...	539 104530	2	SPACER	28...	539 110808	2	DECK LIFT LINK
14...	539 102612	1	HCS, $\frac{3}{8}$ -16 x $2\frac{3}{4}$, GR5	29...	539 976982	4	WASHER, $\frac{5}{8}$, SAE
15...	539 990629	3	HCS, $\frac{3}{8}$ -16 x $2\frac{1}{4}$, GR5	30...	539 105187	1	ANTI-SKID PAD

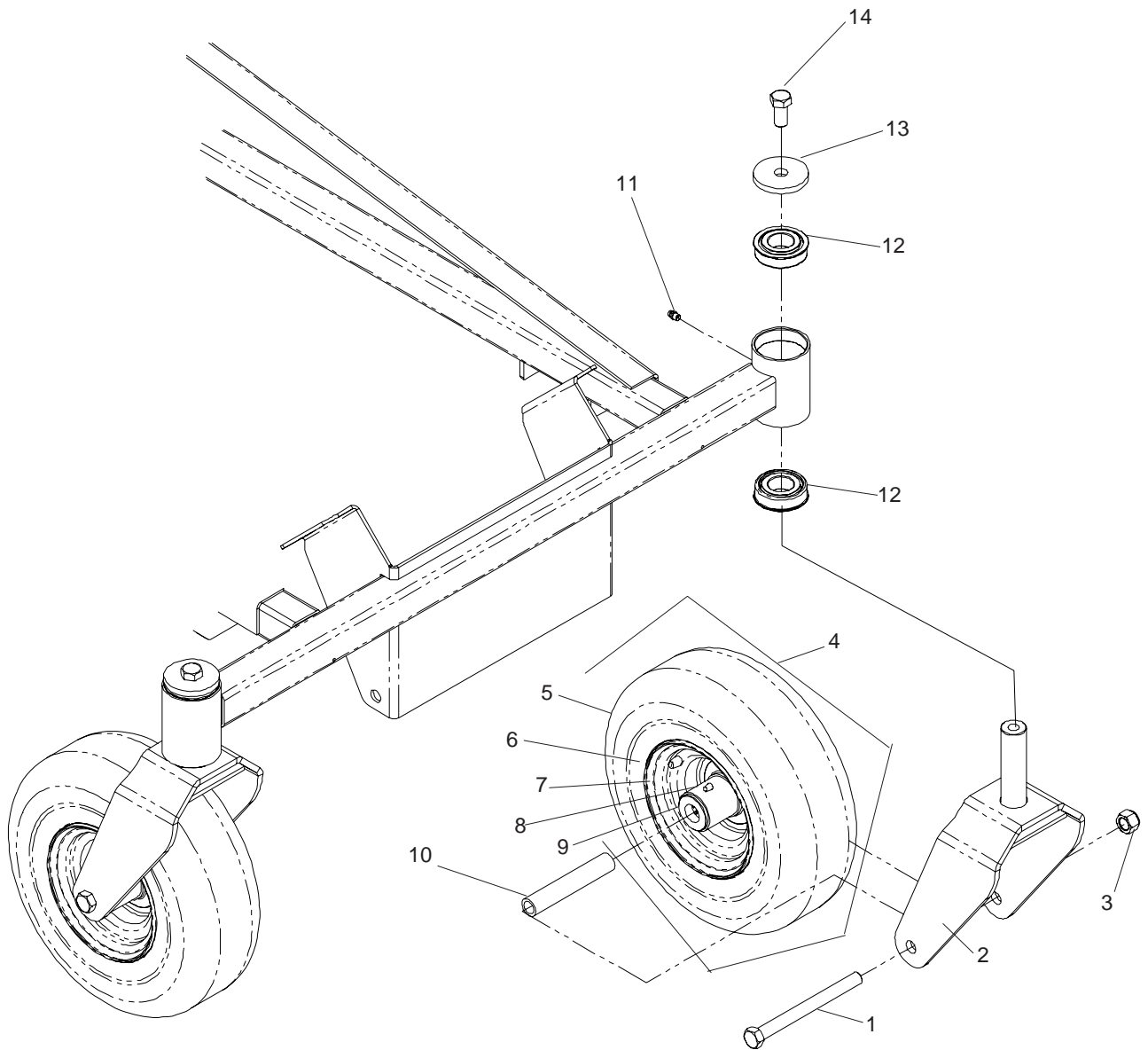
PARK BRAKE



ITEM	P/N	QTY	DESCRIPTION
1...	539 101080	3	SWITCH, INTERLOCK
2...	539 101836	1	BUSHING
3...	539 109363	1	BRAKE LEVER
4...	539 109368	2	BUSHING, PLASTIC
5...	539 112306	2	PIVOT SHAFT
6...	539 112313	1	BRAKE SHAFT
7...	539 112314	1	LINKAGE
8...	539 976979	12	NUT, $\frac{3}{8}$ -16, NYLOC
9...	539 976988	2	PIN, HAIR, .073 x $1\frac{7}{16}$

ITEM	P/N	QTY	DESCRIPTION
10...	539 990316	30	RHSNB, $\frac{5}{16}$ -18 x $\frac{3}{4}$, GR5
11...	539 990517	1	WASHER, $\frac{3}{8}$
12...	539 990585	4	NUT, $\frac{5}{16}$ -18, WHIZLK
13...	539 990629	3	HCS, $\frac{3}{8}$ -16 x $2\frac{1}{4}$, GR5
14...	539 990692	30	WASHER, $\frac{5}{16}$
15...	539 990717	1	NUT, $\frac{5}{16}$ -18, NYLOC
16...	539 991034	4	SCRW, 10-24 x $\frac{5}{8}$, WSR HD
17...	539 109798	1	GRIP, PARK BRAKE

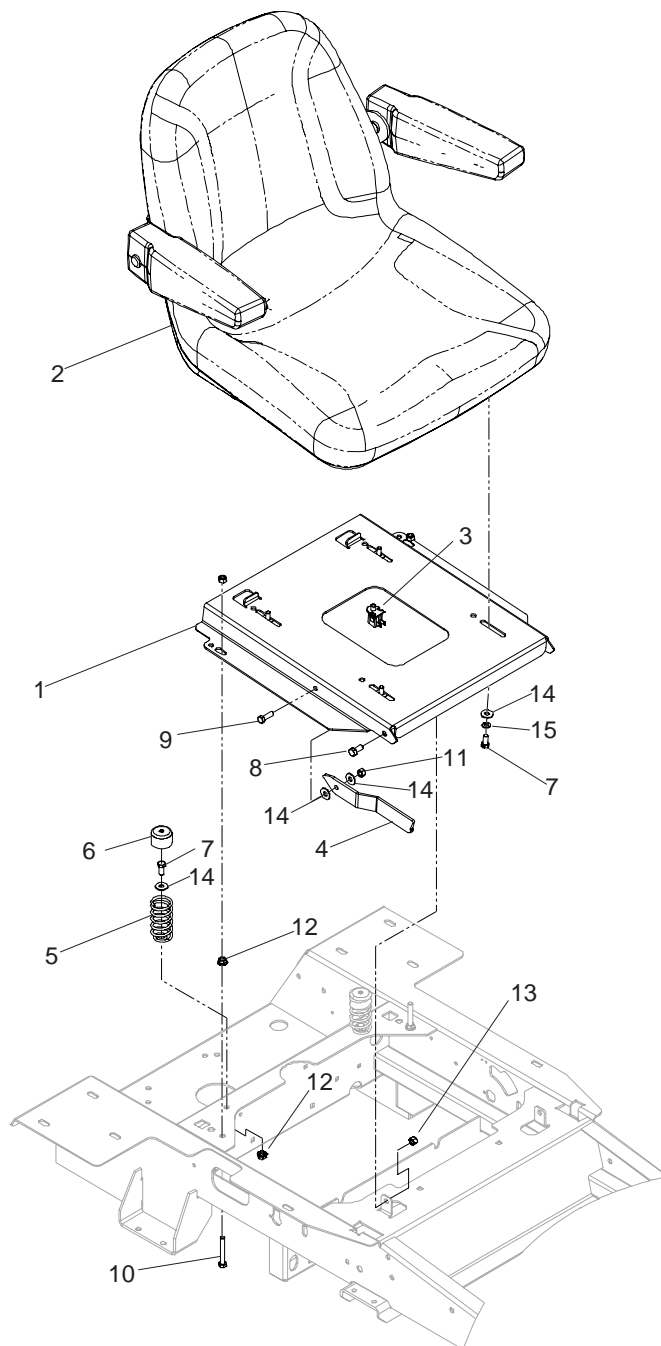
CASTER ASSEMBLY



ITEM	P/N	QTY	DESCRIPTION
1...	539 101907 ...	1 ...	HCS, ½-13 x 5½, GR5
2...	539 113444 ...	1 ...	CASTER YOKE
3...	539 101331 ...	1 ...	NUT, ½-13, NYLOC
4...	539 106993 ...	1 ...	CASTER TIRE, COMPLETE
5...	539 106995 ...	1 ...	TIRE, 4 PLY, 410/350-5
6...	539 912234 ...	1 ...	VALVE STEM
7...	539 106994 ...	1 ...	RIM
8...	539 103300 ...	1 ...	ZERK

ITEM	P/N	QTY	DESCRIPTION
9...	539 102484 ...	2 ...	BEARING, FLANGED
10...	539 105543 ...	1 ...	SPACER
11...	539 101474 ...	2 ...	ZERK
12...	539 112660 ...	4 ...	BEARING, FLANGED
13...	539 112670 ...	2 ...	HEAVY WASHER
14...	539 990646 ...	2 ...	HCS, ½-13 x 1, GR5
	... 539 105307 ...	1 ...	ROLLER BEARING, 3¼

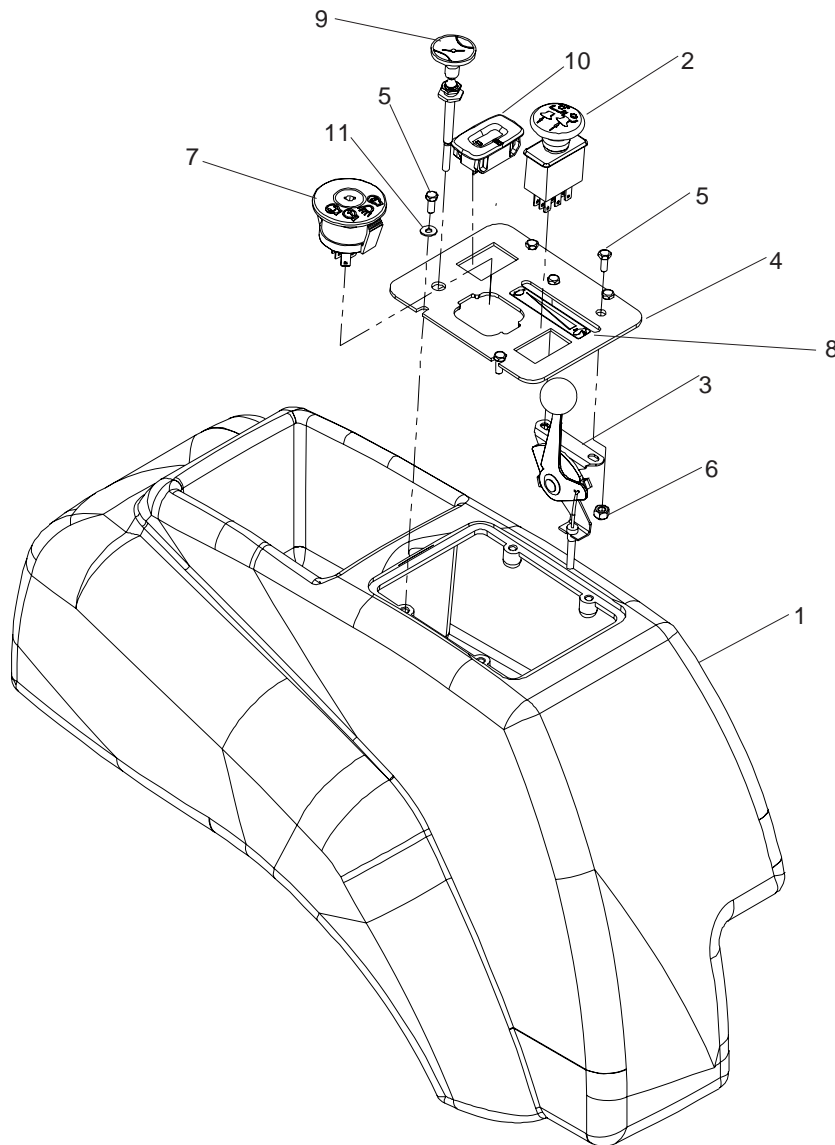
SEAT ASSEMBLY



ITEM	P/N	QTY	DESCRIPTION
1...	539 114286	1	PAN, SEAT
2...	539 108744	1	SEAT W/ARMREST
3...	539 107523	1	SEAT SWITCH
4...	539 114631	1	ARM, PROP, SEAT
5...	539 122632	2	SEAT SPRING
6...	539 119884	2	SPRING CAP
7...	539 976934	6	HCS, ⁵ / ₁₆ -18 x ³ / ₄ GR5
8...	539 990134	2	HCS, ³ / ₈ -16 x ³ / ₄ GR5

ITEM	P/N	QTY	DESCRIPTION
9...	539 990209	1	HCS, ⁵ / ₁₆ -18 x 1 GR5
10...	539 991055	2	HCS, ⁵ / ₁₆ -18 x 2 ¹ / ₄ GR5
11...	539 990717	3	NUT, ⁵ / ₁₆ -18, NYLOC
12...	539 990585	4	NUT, ⁵ / ₁₆ -18, WHIZLK ZD
13...	539 976979	2	NUT, ³ / ₈ -16, NYLOC
14...	539 990692	8	WASHER, ⁵ / ₁₆ STD FLT ZD
15...	539 990187	4	WASHER, ⁵ / ₁₆ SPLT LCK

CONSOLE ASSEMBLY

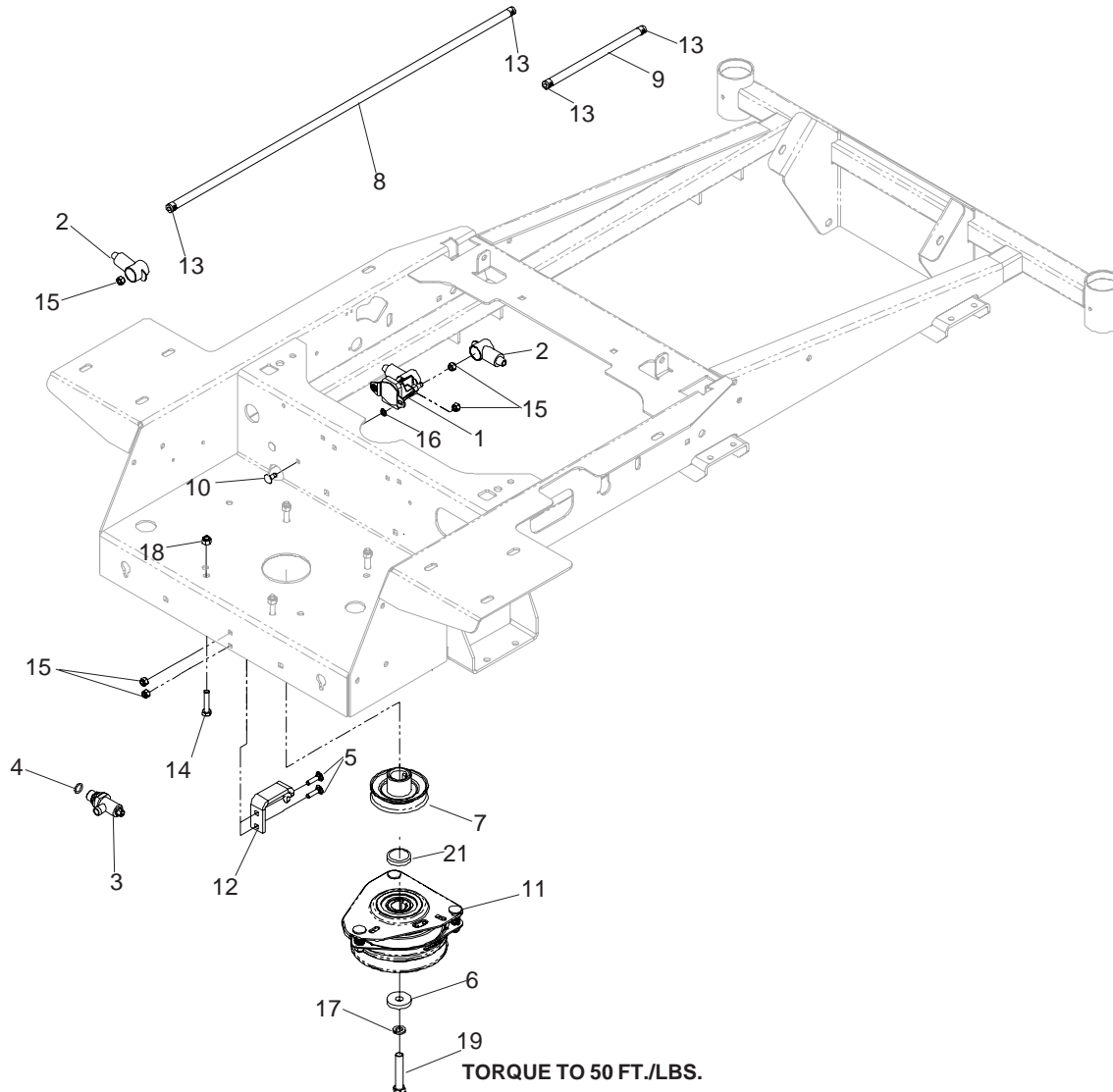


ITEM	P/N	QTY	DESCRIPTION
1...	539 107593 ...	1 ...	CONSOLE
2...	539 101768 ...	1 ...	CLUTCH SWITCH
3...	539 112438 ...	1 ...	THROTTLE CABLE
4...	539 109858 ...	1 ...	CONSOLE PLATE
5...	539 990411 ...	6 ...	HCS, #10-24 x½
6...	539 976977 ...	2 ...	NUT, #10-24, NYLOC

ITEM	P/N	QTY	DESCRIPTION
7...	539 107541 ...	1 ...	IGNITION SWITCH
8...	539 109838 ...	1 ...	DECAL, THROTTLE
9...	539 112439 ...	1 ...	CHOKE CONTROL
10...	539 110074 ...	1 ...	HOUR METER
11...	539 105408 ...	4 ...	WASHER, #10
	... 539 107544 ...	1 ...	KEY, IGNITION

ENGINE ASSEMBLY

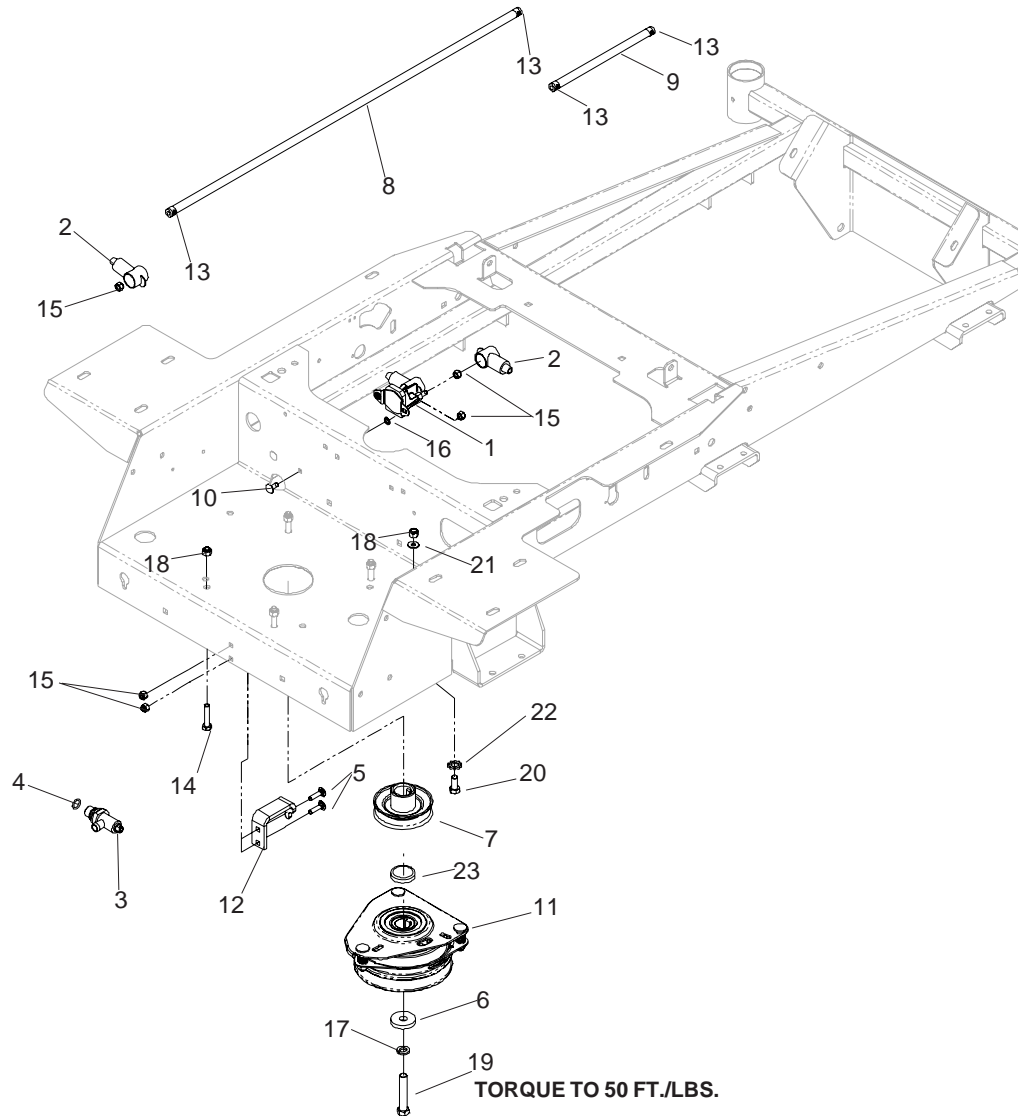
MODELS: 968999502



ITEM	P/N	QTY	DESCRIPTION	ITEM	P/N	QTY	DESCRIPTION
1...	539 101714	1	SOLENOID	13...	539 912222	4	CLAMP, HOSE
2...	539 102759	3	INSULATOR, BATTERY	14...	539 976935	4	HCS, ⁵ / ₁₆ -18 x 1½, GR5
3...	539 109587	1	OIL DRAIN EXTENSION	15...	539 976978	7	NUT, ¼-20, NYLOC
4...	539 109618	1	O-RING	16...	539 990053	2	WASHER, ¼
5...	539 109800	2	RHSNB, ¼-20 x 1, GR5	17...	539 990247	1	WASHER, ⁷ / ₁₆
6...	539 110064	1	CLUTCH WASHER	18...	539 990717	5	NUT, ⁵ / ₁₆ -18, NYLOC
7...	539 110423	1	PULLEY	19...	539 976944	1	HCS, ⁷ / ₁₆ -20 x 2½, GR5
8...	539 110424	1	FUEL LINE, 24"	20...	539 976934	1	HCS, ⁵ / ₁₆ -18 x ¾, GR5
9...	539 110425	1	FUEL LINE, 5"	21...	539 114541	1	SPACER, ENGINE PULLEY
10...	539 111786	2	RHSSNB, ¼-20 x ⁵ / ₈ , GR5	...	539 102115	1	PLASTIC TIE, 120# x 15"
11...	539 113977	1	CLUTCH	...	539 103306	2	CABLE, POSITIVE
12...	539 112249	1	CLUTCH TIE DOWN	...	539 104415	1	PIGTAIL
				...	539 113598	1	MUFFLER

ENGINE ASSEMBLY

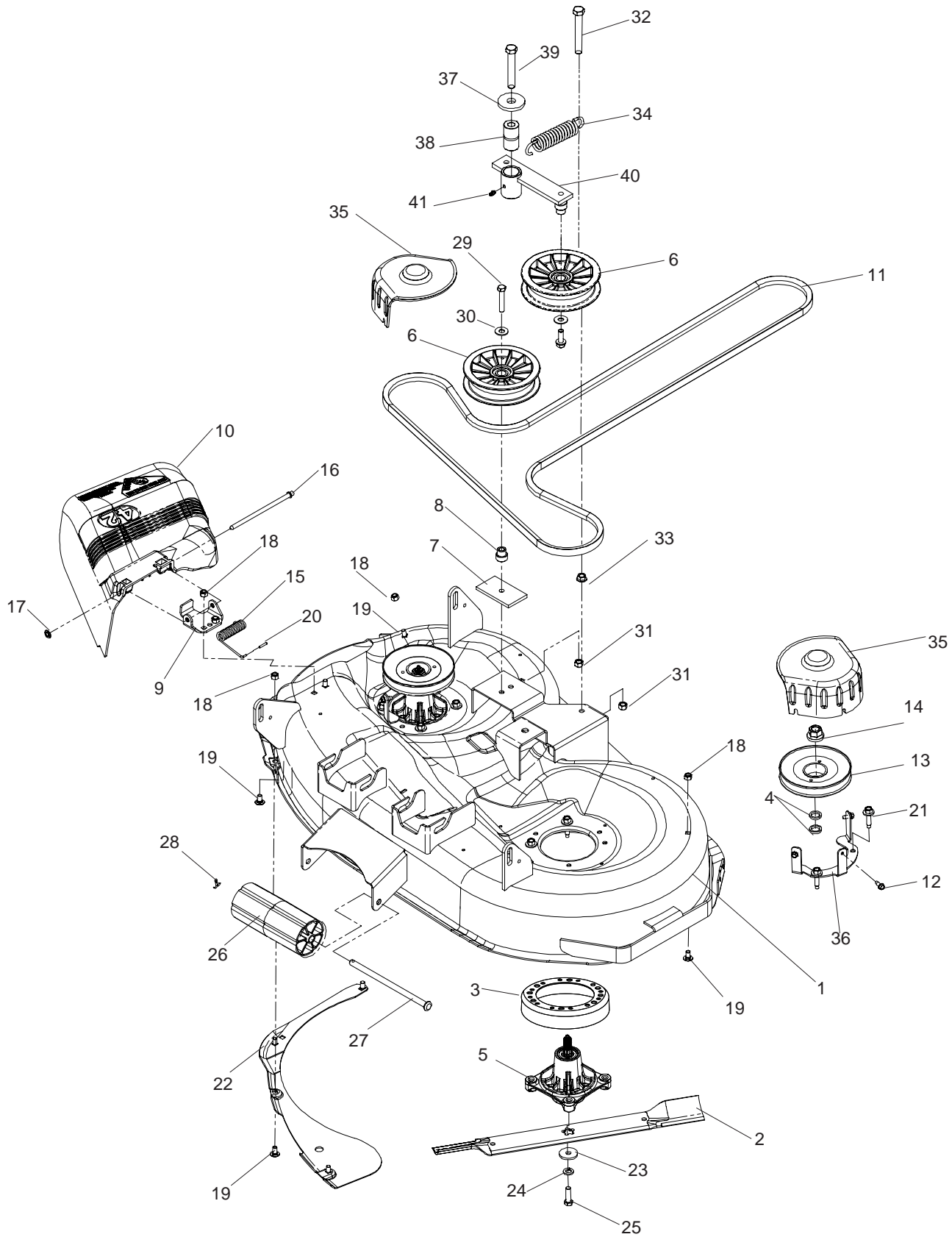
MODELS: 968999503



ITEM	P/N	QTY	DESCRIPTION	ITEM	P/N	QTY	DESCRIPTION
1...	539 101714	1	SOLENOID	14...	539 976935	4	HCS, ⁵ / ₁₆ -18 x 1 1/2, GR5
2...	539 102759	3	INSULATOR, BATTERY	15...	539 976978	7	NUT, 1/4-20, NYLOC
3...	539 109587	1	OIL DRAIN EXTENSION	16...	539 990053	2	WASHER, 1/4
4...	539 109618	1	O-RING	17...	539 990247	1	WASHER, 7/16
5...	539 109800	2	RHSNB, 1/4-20 x 1, GR5	18...	539 990717	5	NUT, 5/16-18, NYLOC
6...	539 110064	1	CLUTCH WASHER	19...	539 991120	1	HCS, 7/16-20 x 2 1/2, GR5
7...	539 114530	1	PULLEY	20...	539 976934	1	HCS, 5/16-18 x 3/4, GR5
8...	539 110424	1	FUEL LINE, 24"	21...	539 990692	1	WASHER, 5/16
9...	539 110425	1	FUEL LINE, 5"	22...	539 109556	1	WSHER, 5/16 EXT STAR LK
10...	539 111786	2	RHSSNB, 1/4-20 x 5/8, GR5	23...	539 114541	1	SPACER, ENGINE PULLEY
11...	539 114595	1	CLUTCH		539 102115	1	PLASTIC TIE, 120# x 15"
12...	539 112249	1	CLUTCH TIE DOWN		539 103306	2	CABLE, POSITIVE
13...	539 912222	4	CLAMP, HOSE		539 104415	1	PIGTAIL

42" DECK

MODEL: 968999502

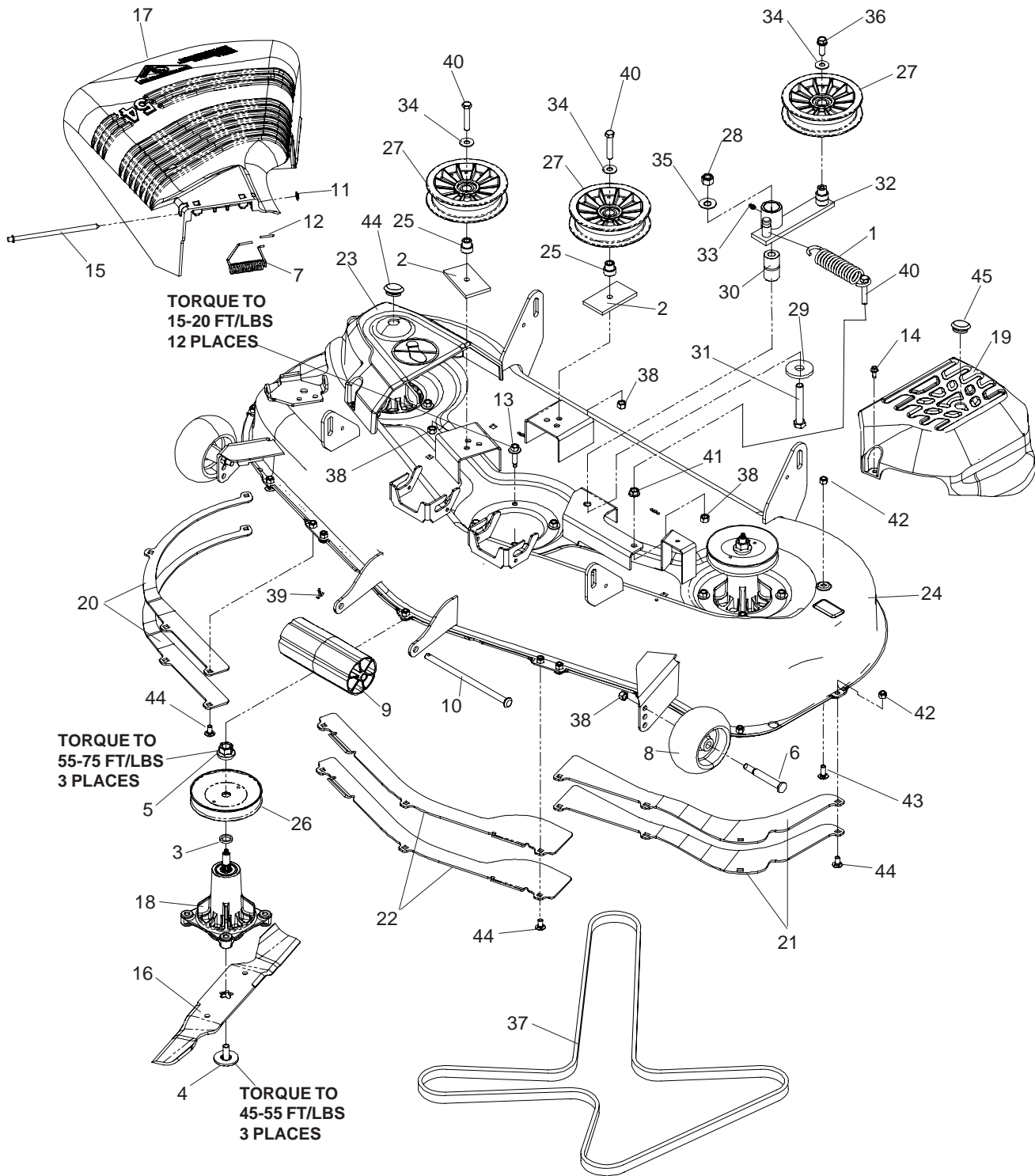


42" DECK

ITEM	P/N	QTY	DESCRIPTION	ITEM	P/N	QTY	DESCRIPTION
1...	539 110379	1	DECK W/ DECALS, 42	22...	539 110463	1	BAFFLE VORTEX
2...	539 110460	2	BLADE	23...	539 110323	2	WASHER, HARDENED
3...	539 107518	2	STRIPPER, ROUND	24...	539 110322	2	WSHR, LOCK HVY HLCL $\frac{3}{8}$
4...	539 107520	4	WASHER-SPACER	25...	539 110321	2	BOLT, HEX $\frac{3}{8}$ -24 x $1\frac{1}{4}$ GR8
5...	539 107515	2	CUTTER HOUSING	26...	539 107612	1	ROLLER, NOSE
6...	539 112196	1	IDLER	27...	539 107613	1	ROD, ROLLER, NOSE
7...	539 103303	1	PAD, PAINTED	28...	539 990365	1	PIN, COTTER $\frac{1}{8}$ x $\frac{3}{4}$ Zd
8...	539 112076	1	IDLER BUSHING	29...	539 990588	1	HCS $\frac{3}{8}$ -16 x 2 GR 5 ZD
9...	532 192557	1	BRACKET, DEFLECTOR	30...	539 990517	1	WASHER, $\frac{3}{8}$ FLAT STD
10...	532 193108	1	SHIELD, DEFLECTOR	31...	539 976979	2	NUT $\frac{3}{8}$ -16 HEX NYLOC ZD
11...	539 113917	1	BELT, DECK	32...	539 990637	1	HCS $\frac{3}{8}$ -16 x $2\frac{1}{2}$ GR 5 ZD
12...	539 990362	6	$\frac{1}{4}$ C x $\frac{5}{8}$ SELF TAPPING	33...	539 990613	1	NUT $\frac{3}{8}$ -16 HEX WHIZLK ZD
13...	539 113962	2	PULLEY, DECK	34...	539 103256	1	SPRING
14...	539 107590	2	NUT, $\frac{9}{16}$ TOP CNTR LOCK	35...	539 110075	2	SPINDLE COVER
15...	539 110328	1	SPRNG, TORSION, DFLCTR	36...	539 114900	2	MOUNT, BELTSHIELD
16...	539 110462	1	ROD, HINGE	37...	539 102243	1	WSHER, .65 x 2 x $\frac{1}{4}$
17...	539 107626	1	PUSHNUT	38...	539 103427	1	BUSHING-PIVOT
18...	539 990717	8	NUT $\frac{5}{16}$ -18 HEX NYLOC ZD	39...	539 103433	1	HCS, $\frac{1}{2}$ -13 x $3\frac{1}{4}$, GR5
19...	539 990799	8	RHSNB $\frac{5}{16}$ -18 x $\frac{5}{8}$ GR5	40...	539 112198	1	IDLER ARM
20...	539 107627	1	CAP-SLEEVE	41...	539 976998	1	ZERK, STRAIGHT, $\frac{1}{4}$ -28
21...	539 107630	8	SCREW, WASHER HEAD				

54" DECK ASSEMBLY

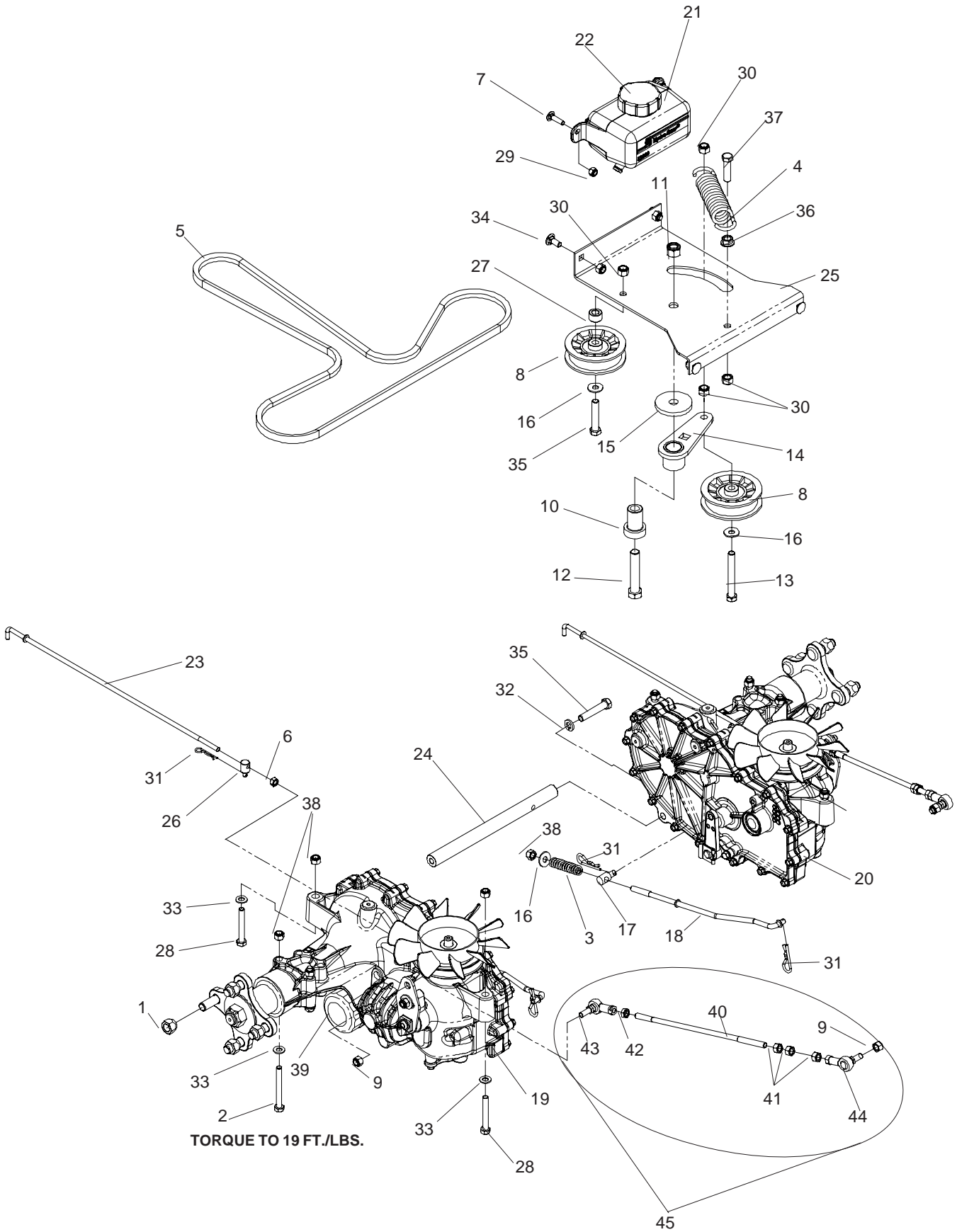
MODEL: 968999503



54" DECK ASSEMBLY

ITEM	P/N	QTY	DESCRIPTION	ITEM	P/N	QTY	DESCRIPTION
1...	539 103256	1	SPRING, EXTENSION	24...	539 112331	1	DECK W/DECALS, 54
2...	539 103303	2	PAD	25...	539 112076	2	IDLER BUSHING
3...	539 107520	3	WASHER, .675, SPACER	26...	539 112171	3	PULLEY
4...	539 107522	3	BOLT, $\frac{7}{16}$, SPEC	27...	539 112196	3	IDLER PULLEY, NYLON
5...	539 107590	3	NUT, $\frac{9}{16}$, CNTRLCK, GR5	28...	539 101331	1	NUT, $\frac{1}{2}$ -13, NYLOC
6...	539 107608	2	SB, $\frac{1}{2}$ x 2 $\frac{5}{8}$, SPEC	29...	539 102243	1	WSHER, .65 x 2 x .25
7...	539 107609	1	SPRING, TORSION	30...	539 103427	1	BUSHING-PIVOT
8...	539 107610	2	WHEEL, GAUGE	31...	539 103433	1	HCS, $\frac{1}{2}$ -13 x 3 $\frac{1}{4}$, GR5
9...	539 107612	1	ROLLER, NOSE	32...	539 112198	1	IDLER ARM
10...	539 107613	1	ROD, ROLLER, NOSE	33...	539 976998	1	ZERK, STRAIGHT, $\frac{1}{4}$ -28
11...	539 107626	1	NUT, $\frac{5}{16}$, PUSH	34...	539 990517	3	WASHER, $\frac{3}{8}$
12...	539 107627	1	CAP-SLEEVE	35...	539 990550	1	WASHER, .562 x 1.38 x 14
13...	539 107630	12	SCREW, $\frac{5}{16}$ -18 x 1 $\frac{3}{8}$, WSH	36...	539 990582	1	HCS, $\frac{3}{8}$ -16 x 1GR5, WHZLK
14...	539 107631	4	SCRW, $\frac{1}{4}$ -20 x $\frac{5}{8}$, THDROLL	37...	539 112333	1	BELT
15...	539 110462	1	ROD, HINGE	38...	539 976979	5	NUT, $\frac{3}{8}$ -16, NYLOC
16...	539 112053	3	BLADE	39...	539 990365	1	PIN COTTER, $\frac{1}{8}$ x $\frac{3}{4}$
17...	539 112054	2	DEFLECTOR	40...	539 990588	3	HCS, $\frac{3}{8}$ -16 x 2, GR5
18...	539 112057	3	MANDREL	41...	539 990613	1	NUT, $\frac{3}{8}$ -16, WHIZLK
19...	539 112058	1	BELT COVER, LT	42...	539 990717	12	NUT, $\frac{5}{16}$ -18, NYLOC
20...	539 112059	2	BAFFLE, RT	43...	539 990799	1	RHSNB, $\frac{5}{16}$ -18 x $\frac{5}{8}$, GR5
21...	539 112060	2	BAFFLE, LT	44...	539 990208	11	RHSNB, $\frac{5}{16}$ -18 x 1, GR5
22...	539 112062	2	BAFFLE, CENTER	45...	539 108382	2	PLUG, BUTTON HOLE
23...	539 112063	1	BELT COVER, RT				

HYDRAULIC ASSEMBLY

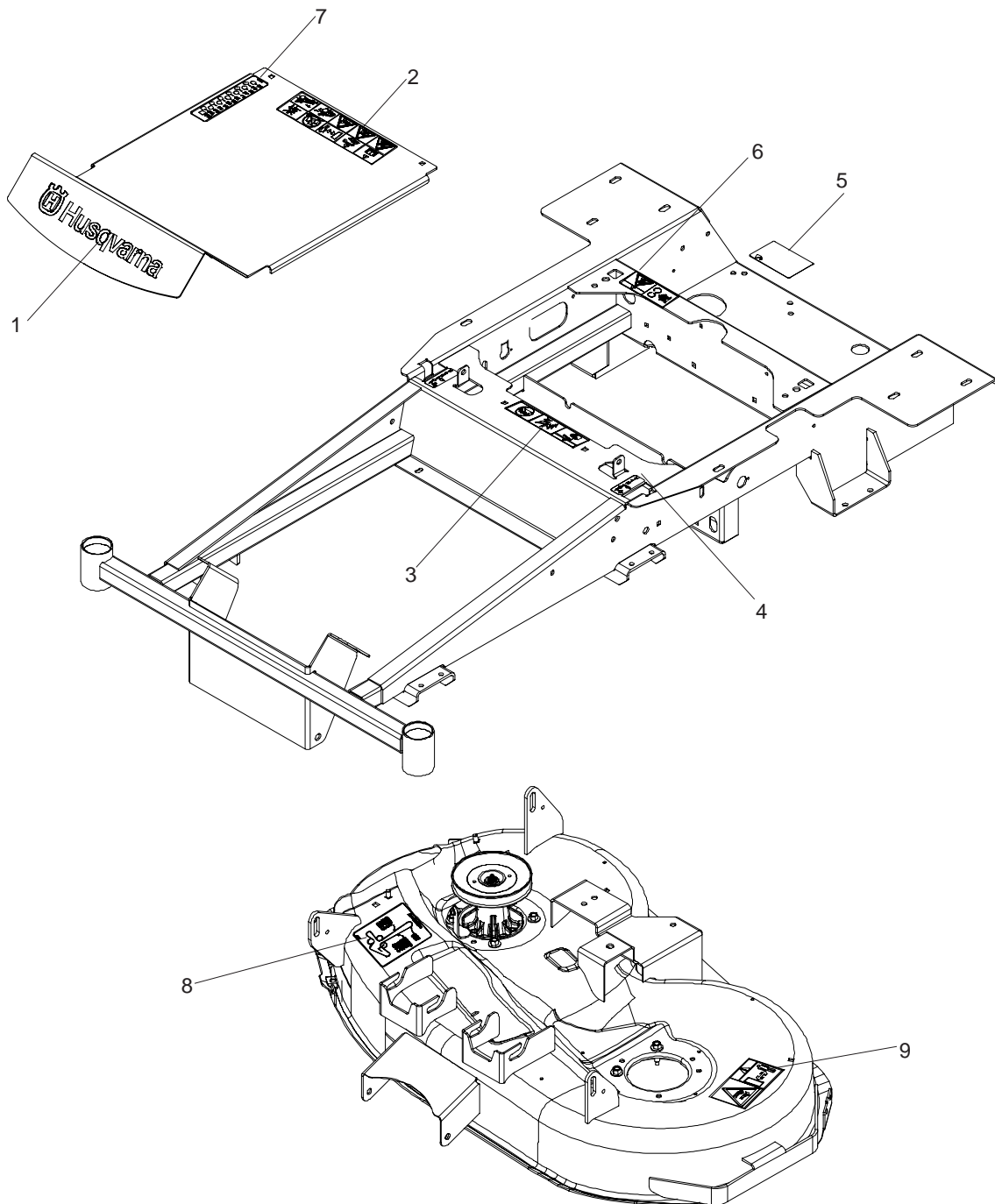


HYDRAULIC ASSEMBLY

ITEM	P/N	QTY	DESCRIPTION	ITEM	P/N	QTY	DESCRIPTION
1...	539 101173	8	NUT, 1/2-20, LUG	24...	539 112342	1	2800 CROSS SUPPORT
2...	539 101721	4	HCS, 5/16-18 x 2 3/4, GR5	25...	539 112407	1	IDLER PULLEY PLATE
3...	539 101244	2	SPRING	26...	539 112949	2	SWIVEL, 1/4-28
4...	539 103256	1	SPRING EXTENSION	27...	539 923515	1	SPACER
5...	539 104334	1	BELT, PUMP	28...	539 976938	4	HCS, 5/16-18 x 2 1/4, GR5
6...	539 108739	2	NUT, 1/4-28	29...	539 976978	2	NUT, 1/4-20, NYLOC
7...	539 109800	2	RHSNB, 1/4-20 x 1, GR5	30...	539 976979	4	NUT, 3/8-16, NYLOC
8...	539 110311	2	PULLEY, IDLER	31...	539 976988	6	PIN, HAIR, .073 x 1 7/16
9...	539 110943	4	NUT, 5/16, NYLOC	32...	539 990118	2	WASHER, 3/8
10...	539 101231	1	SPINDLE, IDLER	33...	539 990188	12	WASHER, 5/16, SAE
11...	539 101331	1	NUT, 1/2-13, NYLOC	34...	539 990316	4	RHSNB, 5/16-18 x 3/4, GR5
12...	539 101332	1	HCS, 1/2-13 x 2 3/4, GR5	35...	539 990588	3	HCS, 3/8-16 x 2, GR5
13...	539 101350	1	HCS, 3/8-16, GR5	36...	539 990613	1	NUT, 3/8-16, WHIZLK
14...	539 112092	1	IDLER ARM	37...	539 990655	1	HCS, 3/8-16 x 1 1/2, GR5
15...	539 112670	1	HEAVY WASHER	38...	539 990717	14	NUT, 5/16-18, NYLOC
16...	539 990692	4	WASHER, 5/16	39...	539 113466	2	OIL FILTER
17...	539 112308	2	BRAKE SWIVEL	40...	539 112099	2	DRIVE LINKAGE
18...	539 112309	2	BRAKE LINKAGE	41...	539 990223	6	NUT, 5/16-24
19...	539 112316	1	ZT2800, RIGHT	42...	539 991073	2	NUT, 5/16-24, LH
20...	539 112317	1	ZT2800, LEFT	43...	539 110604	2	ROD END, LEFT
21...	539 112318	1	EXPANSION TANK W/CAP	44...	539 110603	2	ROD END, RIGHT
22...	539 112449	1	CAP	45...	539 113384	2	LINKAGE ASSEM
23...	539 112319	2	BYPASS LINKAGE	...	539 112669	1	HOSE KIT

DECAL ASSEMBLY

MODELS: 968999502

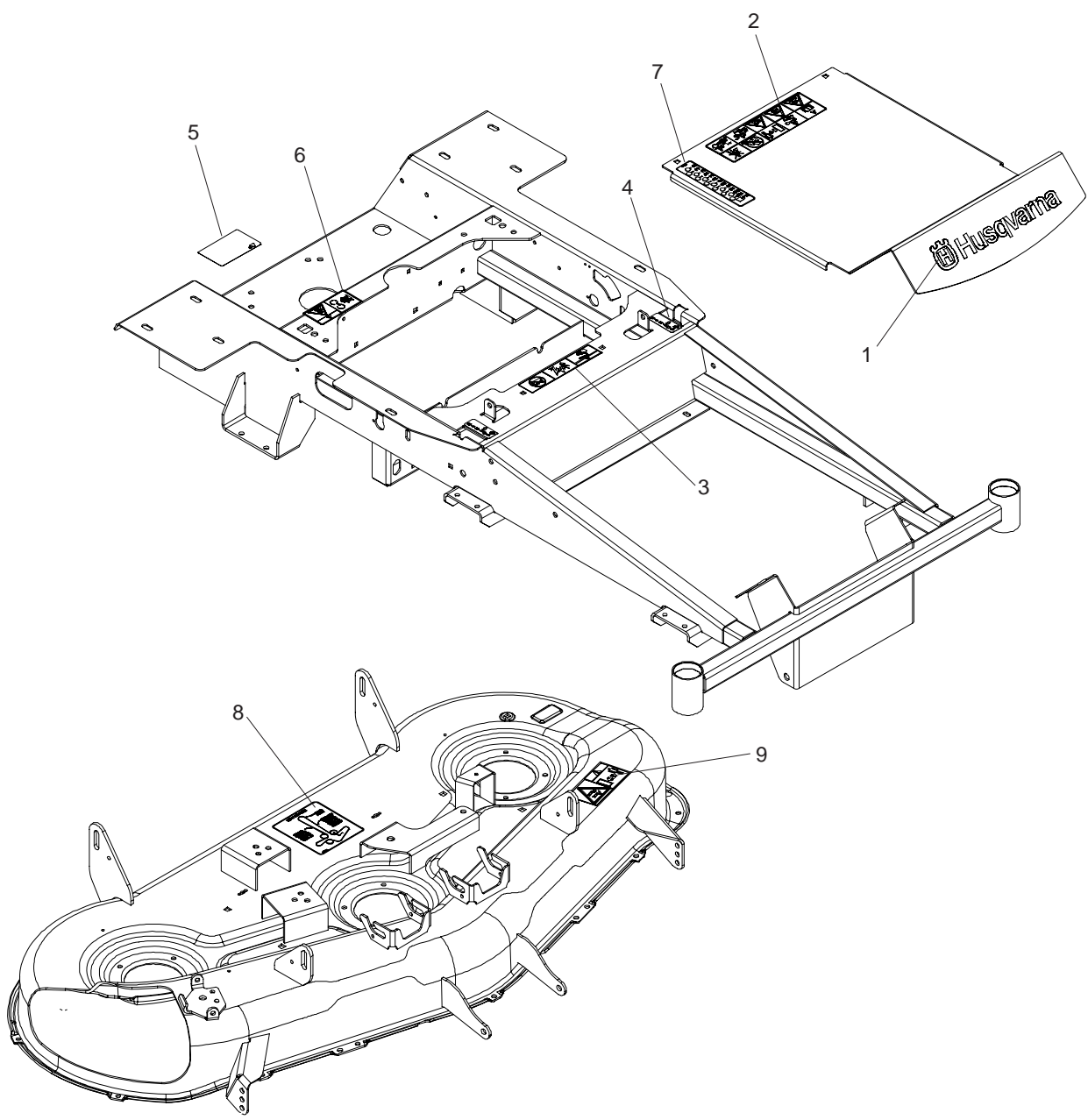


ITEM	P/N	QTY	DESCRIPTION
1...	539 111047 ...	1 ...	DECAL, HUSQVARNA
2...	539 107959 ...	1 ...	DECAL, WARNING
3...	539 105745 ...	1 ...	DECAL, BATTERY WRNING
4...	539 103333 ...	2 ...	DECAL, MOTION CNTRL
5...	539 108385 ...	1 ...	DECAL, DO NOT TOW
6...	539 105744 ...	1 ...	DECAL, DANGER BELT

ITEM	P/N	QTY	DESCRIPTION
7...	539 113979 ...	1 ...	DECAL, HEIGHT ADJ
8...	539 113442 ...	1 ...	DECAL, BELT ROUTING
9...	539 105746 ...	1 ...	DECAL, EURO SEVERING
10...	539 113900 ...	1 ...	DECAL, EZ4217
	N/A ...	DECAL, SOUND POWER

DECAL ASSEMBLY

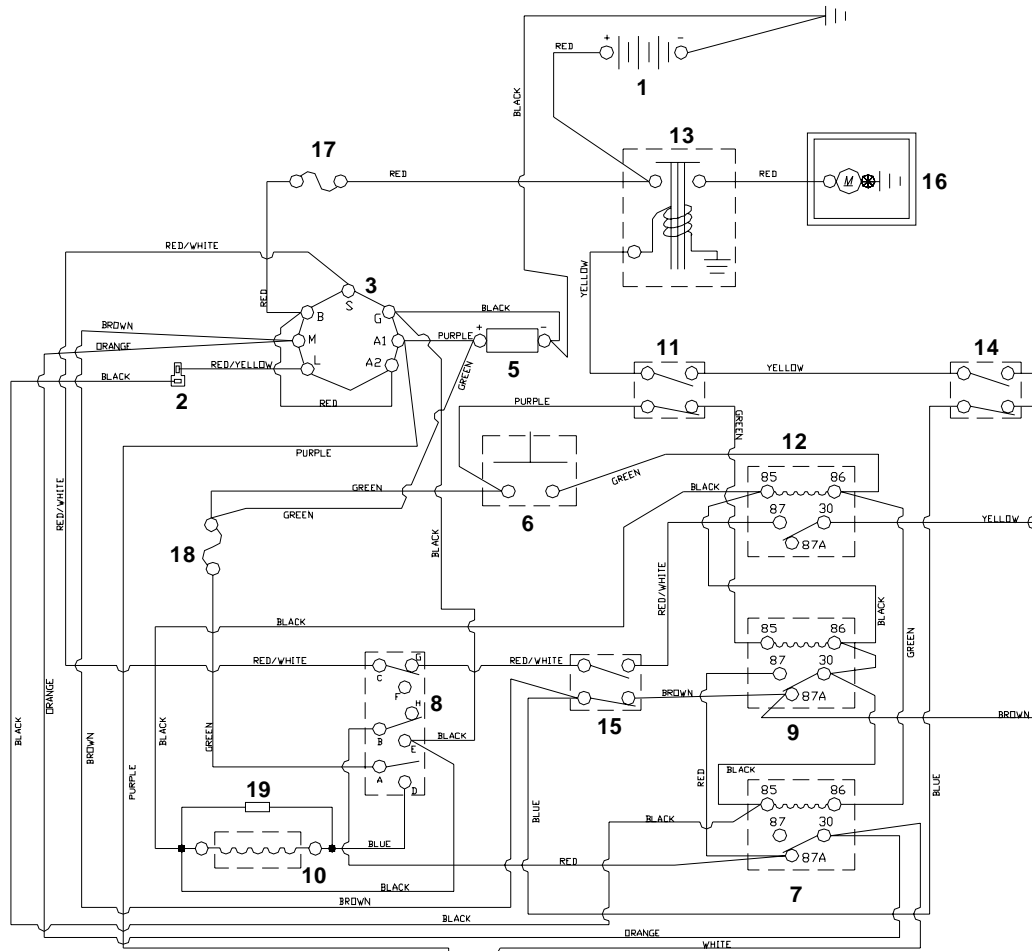
MODELS: 968999503



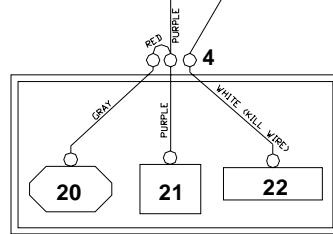
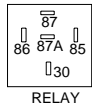
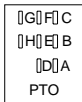
ITEM	P/N	QTY	DESCRIPTION
1...	539 111047 ...	1 ...	DECAL, HUSQVARNA
2...	539 107959 ...	1 ...	DECAL, WARNING
3...	539 105745 ...	1 ...	DECAL, BATTERY WRNING
4...	539 103333 ...	2 ...	DECAL, MOTION CNTRL
5...	539 108385 ...	1 ...	DECAL, DO NOT TOW
6...	539 105744 ...	1 ...	DECAL, DANGER BELT

ITEM	P/N	QTY	DESCRIPTION
7...	539 113979 ...	1 ...	DECAL, HEIGHT ADJ
8....	539 113442 ...	1 ...	DECAL, BELT ROUTING
9...	539 105746 ...	1 ...	DECAL, EURO SEVERING
	... 539 113899 ...	1 ...	DECAL, EZ5421
	N/A	1 ...	DECAL, SOUND POWER

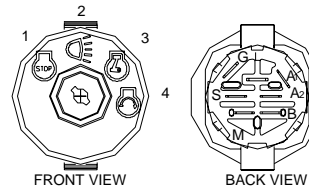
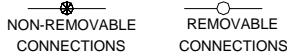
WIRING DIAGRAM



PTO SWITCH	
POSITION	CIRCUIT
OFF	C + G, B + H
ON	C + F, B + E, A + D



ENGINE
(REFER TO ENGINE MANUAL FOR MORE DETAIL)



IGNITION SWITCH

POSITION	FUNCTION	CONTACT 1	CONTACT 2
1	OFF	M+G+A ₁	NONE
2	ON+ACC	B+A ₁	L+A ₂
3	ON	B+A ₁	NONE
4	START	B+S+A ₁	NONE

- 1. Battery
- 2. Accessory outlet
- 3. Key switch
- 4. To engine pigtail
- 5. Hour meter
- 6. Seat switch
- 7. Run relay
- 8. Blade switch
- 9. Brake relay
- 10. Electric clutch
- 11. Brake switch
- 12. Start relay
- 13. Starter solenoid
- 14. Left motion control lever
- 15. Right motion control lever
- 16. Starter
- 17. 20 AMP fuse
- 18. 7.5 fuse
- 19. Diode
- 20. Voltage regulator
- 21. Fuel shut-off solenoid
- 22. Ignition

- 6. Seat unoccupied
- 8. Blade switch in OFF position
- 11. Brake switch OFF position
- 14-15. Motion control levers OUT