

IPL, R145, 2007-04, 502 49 99-01

96131002101

R145

Spare parts

Ersatzteile

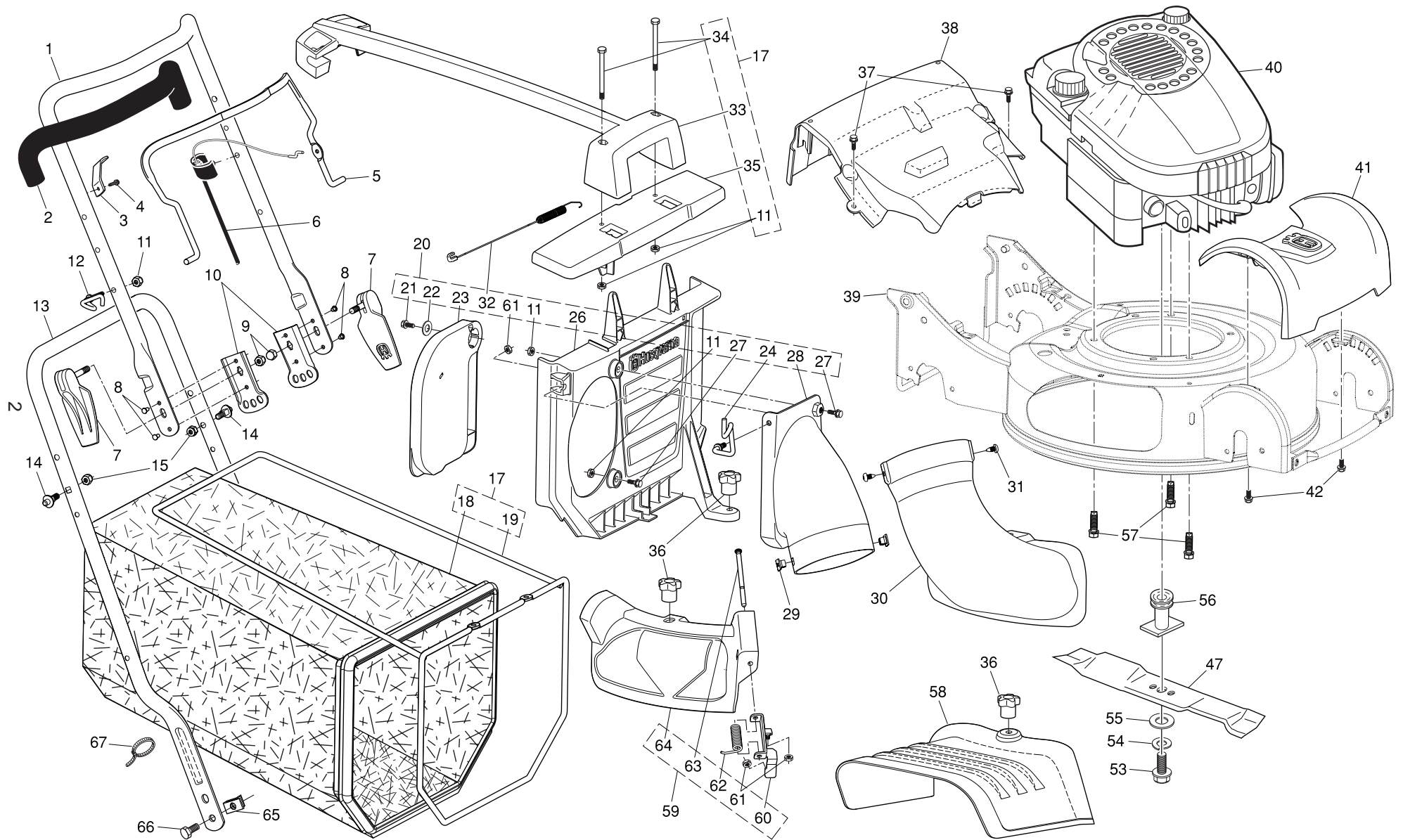
Pièces détachées

Reserve onderdelen

Repuestos

Reservdelar

ROTARY LAWN MOWER - - MODEL NUMBER R145 (96131002100) PRODUCT NO. 961 41 00-21

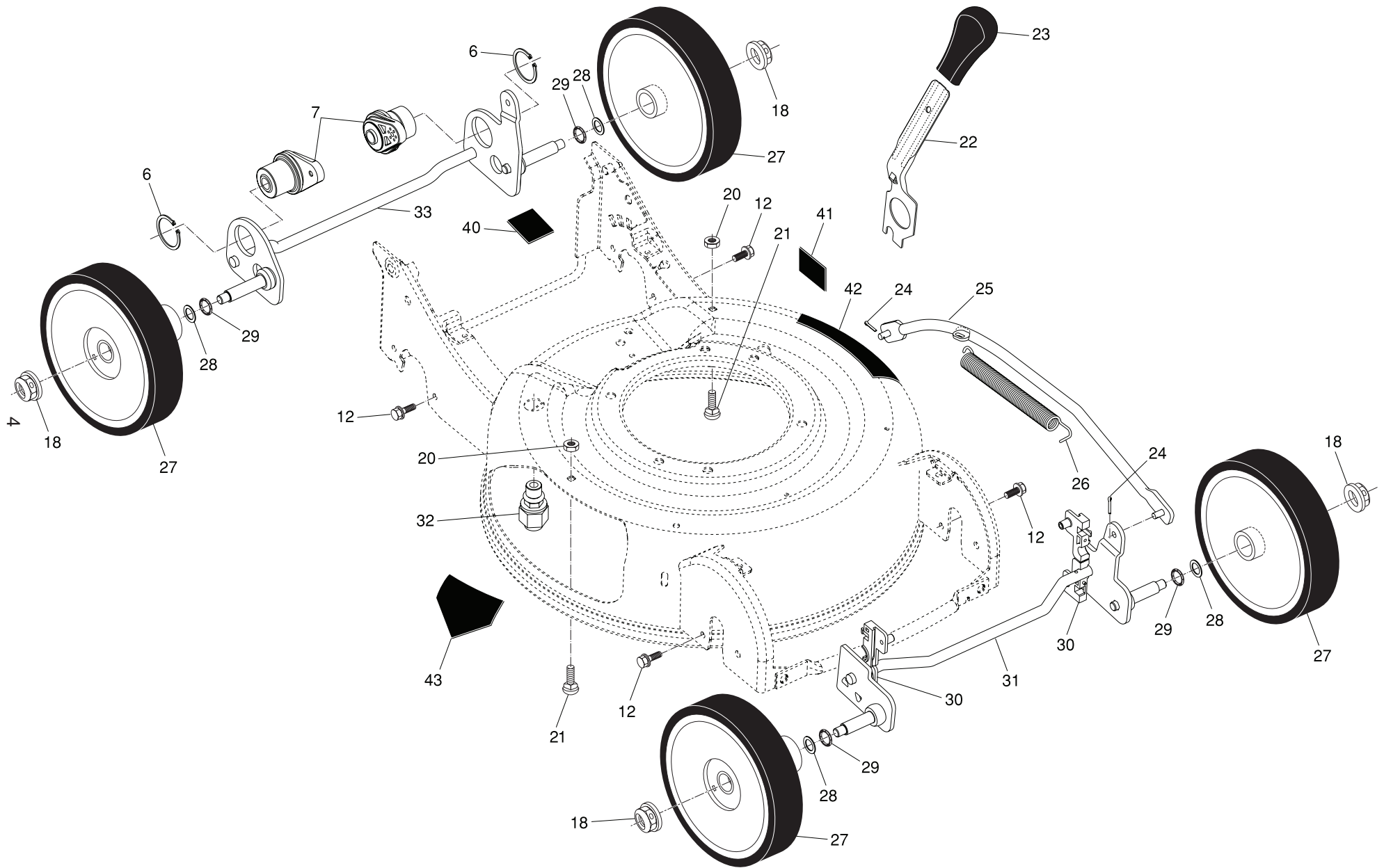


ROTARY LAWN MOWER - - MODEL NUMBER **R145** (96131002100) PRODUCT NO. 961 41 00-21

| KEY NO. | PART NO. | DESCRIPTION | KEY NO. | PART NO. | DESCRIPTION | KEY NO. | PART NO. | DESCRIPTION |
|---------|--------------|---|---------|--------------|--|---------|--------------|--|
| 1 | 532 40 06-04 | Upper Handle Assembly (Includes Foam Grip) | 21 | 532 16 34-09 | Screw, Hi-Lo Thread 1/8 x 5/8 | 41 | 532 41 35-14 | Front Cover |
| 2 | 532 18 63-62 | Grip, Foam | 22 | 532 05 38-47 | Washer, Flat 1/4 | 42 | 532 19 41-89 | Screw, Hex Washer Head 1/8-16 x 5/8 |
| 3 | 532 08-68-99 | Upstop Bracket | 23 | 532 41 35-08 | Chute, Rear Door | 47 | 532 19 92-43 | Blade |
| 4 | 532 75 06-34 | Screw, Threaded, Rolled #10-24 x 1/2 | 24 | 532 40 86-52 | Rope Guide, Rear Door | 53 | 532 19 17-60 | Bolt, Hex Head 3/8-24 x 2-1/2 |
| 5 | 532 18 62-98 | Control Bar | 26 | 532 12 52-03 | Rear Door | 54 | 532 85 02-63 | Washer, Helical |
| 6 | 532 19 77-40 | Cable, Operator Presence | 27 | 532 18 35-18 | Bolt, Shoulder 5/16 | 55 | 532 85 10-74 | Washer, Hardened |
| 7 | 532 41 35-07 | Quick Release Assembly | 28 | 532 41 35-10 | Upper Chute | 56 | 532 19 92-49 | Blade Adapter |
| 8 | 532 19 96-97 | Rivet | 29 | 532 19 97-27 | Grommet 1/4 | 57 | 532 15 04-06 | Bolt, Engine, Dogpoint 3/8-16 |
| ω 9 | 532 40 04-13 | Nut, Acorn | 30 | 532 41 35-11 | Lower Chute | 58 | 532 41 35-17 | Discharge Guard |
| 10 | 532 41 35-34 | Bracket, Quick Release | 31 | 532 19 98-55 | Screw, T-30 1/4-20 x 1/2 | 59 | 532 40 03-46 | Mulcher Door Assembly |
| 11 | 532 13 20-04 | Nut, Hex, Zinc-Plated, Black 1/4-20 | 32 | 532 40 14-02 | Spring, Rear Door | 60 | 532 19 92-68 | Hinge Bracket Assembly |
| 12 | 532 19 47-88 | Rope Guide, Upper Handle | 33 | 532 41 35-36 | Handle, Grass Catcher | 61 | 532 19 17-30 | Nut, Hex, Flangelock 1/4-20 |
| 13 | 532 41 35-35 | Lower Handle | 34 | 871 09 04-48 | Screw 1/4-20 x 3 | 62 | 532 18 34-46 | Spring, Mulcher Door |
| 14 | 532 19 92-55 | Stud, Adjustment | 35 | 532 41 35-12 | Adapter, Grass Catcher | 63 | 532 18 34-45 | Rod, Hinge |
| 15 | 532 75 11-53 | Nut, Hex 5/16-18 | 36 | 532 18 34-47 | Knob | 64 | 532 41 35-18 | Mulcher Door |
| 17 | 532 40 01-36 | Grass Catcher Assembly | 37 | 532 19 94-22 | Screw, Hex Washer Head 1/4-20 x 1/2 | 65 | 532 40 40-08 | Speed Nut |
| 18 | 532 19 92-73 | Grass Bag | 38 | 532 41 35-13 | Drive Cover | 66 | 532 85 09-99 | Bolt, Hex Head 3/8-16 x 1-1/4 |
| 19 | 532 19 92-78 | Frame, Grass Bag | 39 | 532 41 08-13 | Lawn Mower Housing | 67 | 532 06 64-26 | Wire Tie |
| 20 | 532 40 01-35 | Chute Assembly | 40 | --- | Engine, Briggs & Stratton, Model Number 12F802-1970-B1 (Order parts from Engine manufacturer) | -- | 532 40 86-02 | Manual, Operator's, European |
| | | | | | | -- | 532 40 86-03 | Manual, Operator's, Scandinavian |
| | | | | | | -- | 532 41 34-14 | Manual, Operator's, Baltic |

NOTE: All component dimensions given in U.S. inches. 1 inch = 25.4 mm. **IMPORTANT:** Use only Original Equipment Manufacturer (O.E.M.) replacement parts. Failure to do so could be hazardous, damage your lawn mower and void your warranty.

ROTARY LAWN MOWER - - MODEL NUMBER R145 (96131002100) PRODUCT NO. 961 41 00-21



ROTARY LAWN MOWER - - MODEL NUMBER **R145** (96131002100) PRODUCT NO. 961 41 00-21

| KEY NO. | PART NO. | DESCRIPTION |
|---------|--------------|--------------------------------|
| 6 | 812 00 00-12 | Ring, Retaining |
| 7 | 532 19 92-45 | Bearing, Drive |
| 12 | 532 16 34-09 | Screw, Hi-Lo Thread 1/8 x 5/8 |
| 18 | 532 08 39-23 | Nut, Hex |
| 20 | 873 51 04-00 | Locknut 1/4-20 |
| 21 | 872 11 04-07 | Bolt, Carriage |
| 22 | 532 41 35-19 | Height Adjustment Lever, Rear |
| 23 | 532 19 92-69 | Knob, Height Adjustment Lever |
| 24 | 532 70 02-79 | Retainer Spring |
| 25 | 532 19 93-10 | Height Adjustment Lever, Front |
| 26 | 532 40 96-16 | Spring |

| KEY NO. | PART NO. | DESCRIPTION |
|---------|--------------|------------------------------|
| 27 | 532 41 08-31 | Wheel & Tire Assembly, Front |
| 28 | 532 08 83-48 | Washer, Flat |
| 29 | 532 19 74-80 | O-Ring |
| 30 | 532 41 35-20 | Bearing Assembly, Front Axle |
| 31 | 532 41 35-21 | Axle Assembly, Front |
| 32 | 532 40 00-94 | Fitting, Quick Release |
| 33 | 532 41 38-49 | Axle Assembly, Rear |
| 40 | 532 19 97-31 | Decal, Noise Level |
| 41 | 532 15 97-36 | Decal, Hot Muffler |
| 42 | 532 19 99-12 | Decal, Warning |
| 43 | 532 18 21-66 | Decal, Danger |

NOTE: All component dimensions given in U.S. inches. 1 inch = 25.4 mm. **IMPORTANT:** Use only Original Equipment Manufacturer (O.E.M.) replacement parts. Failure to do so could be hazardous, damage your lawn mower and void your warranty.