

IPL, Kohler Command 26 hp, 2007-01, 504 04 88-01

CV730-0042

# Kohler Command 26hp

Spare parts

Ersatzteile

Pièces détachées

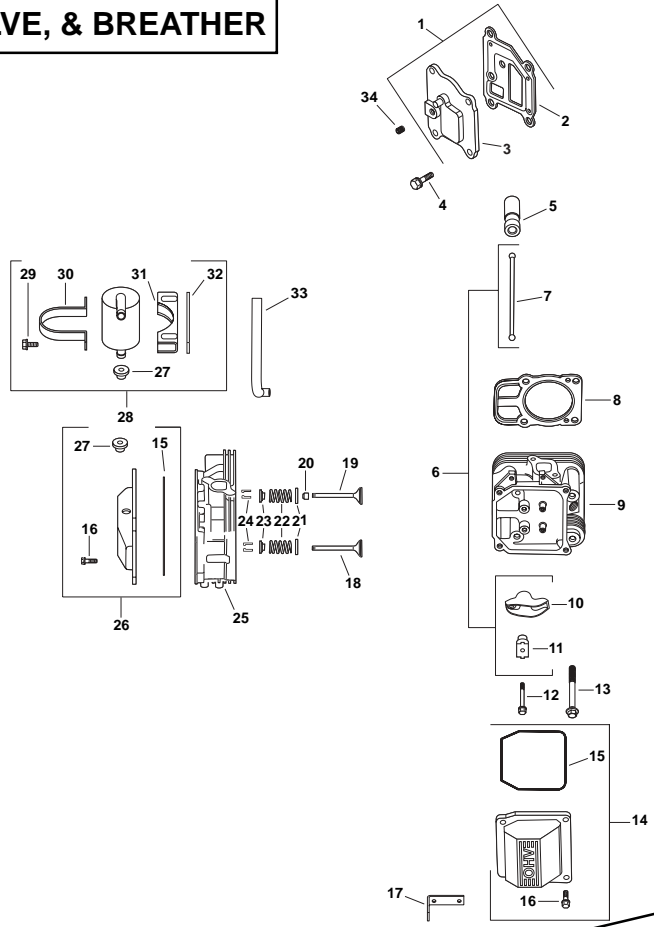
Reserve onderdelen

Repuestos

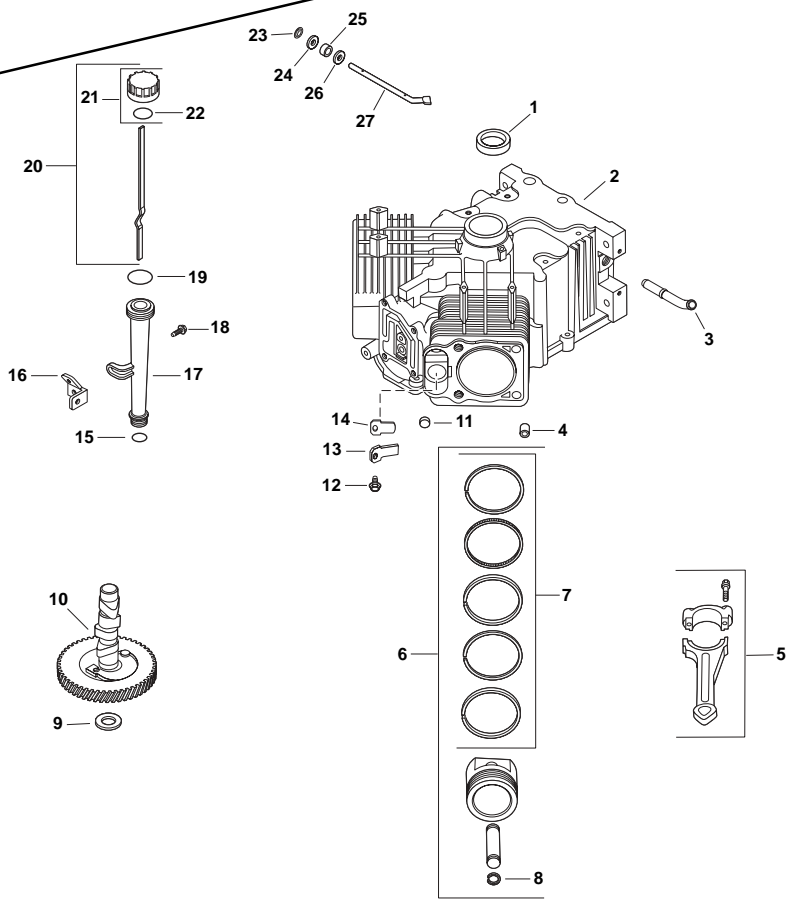
Reservdelar

# KOHLER ENGINE - MODEL NO. CV730, TYPE NO. 0042

## CYLINDER HEAD, VALVE, & BREATHER



## CRANKCASE



# KOHLER ENGINE - MODEL NO. CV730, TYPE NO. 0042

## HEAD/VALVE/BREATHER - Group 4

|    |              |   |   |
|----|--------------|---|---|
| 1  | 531 02 96-91 | 1 | BREATHER ASSY, COVER<br>W/GASKET (INCLUDES 2,3)       |
| 2  | 531 02 98-74 | 1 | GASKET, BREATHER                                      |
| 3  | 531 02 96-93 | 1 | COVER, BREATHER                                       |
| 4  | 531 02 95-55 | 4 | SCREW, FLG THD FRM<br>M6X1.0X20                       |
| 5  | 531 02 96-96 | 4 | LIFTER, HYDRAULIC VALVE                               |
| 6  | 531 02 96-97 | 1 | KIT, VALVE TRAIN (INCLUDES<br>7,10,11)                |
| 7  | 531 02 96-98 | 2 | ROD, PUSH   |
| 8  | 544 81 01-01 | 2 | KIT, CYLINDER HEAD GASKET<br>(INCLUDES HEAD MTG HDWE) |
| 9  | 24 318 72-S  | 1 | KIT, HEAD #2  |
| 10 | 531 02 97-01 | 2 | ARM, ROCKER   |
| 11 | 531 02 99-68 | 2 | PIVOT, ROCKER ARM                                     |
| 12 | 531 02 97-04 | 2 | SCREW, FLG M6X1.0X34                                  |
| 13 | 531 02 97-03 | 8 | SCREW, FLG M10X1.5X90                                 |
| 14 | 531 02 98 75 | 1 | KIT, PLAIN ROCKER COVER<br>(INCLUDES 15,16)           |
| 15 | 531 02 99-15 | 2 | O-RING, VALVE COVER                                   |
| 16 | 531 02 99-14 | 4 | SCREW, FLG M6X1.0X30                                  |
| 17 | 531 02 97-08 | 1 | STRAP, LIFTING  |
| 18 | 531 02 97-09 | 1 | VALVE, EXHAUST (STD)                                  |
|    | 531 02 97-10 | 1 | VALVE, EXHAUST (.25)                                  |
| 19 | 531 02 97-11 | 1 | VALVE, INTAKE (STD)                                   |
|    | 531 02 97-12 | 1 | VALVE, INTAKE (.25)                                   |
| 20 | 531 02 97-13 | 1 | SEAL, VALVE STEM                                      |
| 21 | 531 02 97-14 | 2 | RETAINER, SPRING                                      |
| 22 | 531 02 97-15 | 2 | SPRING, VALVE   |
| 23 | 544 83 93-01 | 2 | CAP, VALVE SPRING                                     |
| 24 | 531 02 97-17 | 4 | KIT, RETAINER   |
| 25 | 24 318 69-S  | 1 | KIT, HEAD #1  |
| 26 | 531 02 98-76 | 1 | KIT, BREATHER ROCKER<br>COVER (INCLUDES 15,16,27)     |
| 27 | 531 02 97-20 | 1 | GROMMET, RUBBER                                       |
| 28 | 531 02 97-21 | 1 | KIT, BREATHER SEPARATOR<br>(INCLUDES 27,29-32)        |
| 29 | 531 02 96-61 | 2 | SCREW, FLG THD FRM<br>M5X0.8X16                       |
| 30 | 531 02 97-23 | 1 | STRAP, BREATHER                                       |
| 31 | 531 02 97-24 | 1 | BRACKET, BREATHER<br>SEPARATOR                        |
| 32 | 531 02 97-22 | 1 | SPACER  |
| 33 | 531 02 97-26 | 1 | HOSE, BREATHER  |
| 34 | 531 02 95-43 | 1 | PLUG, CTSK PIPE 1/8"                                  |

## NOT ILLUSTRATED

|              |   |   |
|--------------|---|---|
| 531 02 99-20 | 2 | KIT, CYLINDER HEAD<br>HARDWARE (INCLUDES 7,10-<br>12,18-24) |
|--------------|---|---|

## CRANKCASE - Group 2

|    |              |   |  |
|----|--------------|---|--|
| 1  | 531 02 97-79 | 1 | SEAL, OIL                                      |
| 2  | -----        | 1 | CRANKCASE (USE: MINIBLOCK<br>OR SHORT BLOCK)   |
| 3  | 531 02 96-30 | 1 | FITTING  |
| 4  | 531 02 96-35 | 6 | PIN, LOCATING                                  |
| 5  | 24 067 16-S  | 2 | ROD ASSEMBLY, CONNECTING<br>(STD.)             |
|    | 531 02 96-37 | 2 | ROD ASSEMBLY, CONNECTING<br>(.25)              |
| 6  | 531 02 99-04 | 2 | KIT, PISTON W/RING SET (STD)<br>(INCLUDES 7,8) |
|    | 531 02 99-05 | 2 | KIT, PISTON W/RING SET (.08)                   |
|    | 531 02 99-06 | 2 | KIT, PISTON W/RING SET (.25)                   |
|    | 531 02 99-07 | 2 | KIT,PISTON W/RING SET (.50)                    |
| 7  | 531 02 99-08 | 1 | RING SET (STD & .08)                           |
|    | 531 02 99-09 | 1 | RING SET (.25)                                 |
|    | 531 02 99-10 | 1 | RING SET (.50)                                 |
| 8  | 531 02 96-45 | 4 | RETAINER, PISTON PIN                           |
| 9  | 531 02 96-48 |   | A.R. SHIM, CAMSHAFT (WHITE<br>.028")           |
|    | 531 02 96-49 |   | A.R. SHIM, CAMSHAFT (BLUE<br>.03")             |
|    | 531 02 96-46 |   | A.R. SHIM, CAMSHAFT (RED<br>.032")             |
|    | 531 02 96-50 |   | A.R. SHIM, CAMSHAFT (YELLOW<br>.034")          |
|    | 531 02 96-50 |   | A.R. SHIM, CAMSHAFT (GREEN<br>.036")           |
|    | 531 02 96-51 |   | A.R. SHIM. CAMSHAFT (GRAY<br>.038")            |
|    | 531 02 96-47 |   | A.R. SHIM, CAMSHAFT (BLACK<br>.04")            |
| 10 | 531 02 99-11 | 1 | CAMSHAFT                                       |
| 11 | 531 02 96-54 | 1 | PLUG, CUP                                      |
| 12 | 531 02 96-55 | 2 | SCREW, FLG THD FRM<br>M5X0.8X10                |
| 13 | 531 02 96-56 | 2 | RETAINER, BREATHER REED                        |
| 14 | 531 02 96-57 | 2 | REED, BREATHER                                 |
| 15 | 531 02 96-58 | 1 | O-RING, LOWER OIL FILL TUBE                    |
| 16 | 531 02 96-59 | 1 | BRACKET, OIL FILL TUBE                         |
| 17 | 531 02 96-60 | 1 | TUBE, OIL FILL                                 |
| 18 | 531 02 96-61 | 1 | SCREW, FLG THD FRM<br>M5X0.8X16                |
| 19 | 531 02 96-62 | 1 | O-RING, UPPER OIL FILL TUBE                    |
| 20 | 531 02 96-63 | 1 | DIPSTICK, ASSY (INCLUDES<br>21,22)             |
| 21 | 531 02 96-64 | 1 | KIT, OIL FILL CAP (INCLUDES 22)                |
| 22 | 531 02 96-65 | 1 | O-RING, DIPSTICK                               |
| 23 | 531 02 96-66 | 1 | RETAINER, RING                                 |
| 24 | 531 02 96-67 | 1 | WASHER, FLAT 9 MM                              |
| 25 | 531 02 96-68 | 1 | SEAL, GOVERNOR CROSS<br>SHAFT                  |
| 26 | 531 02 96-69 | 1 | WASHER, FLAT 11/32"                            |
| 27 | 531 02 96-70 | 1 | SHAFT, GOVERNOR CROSS                          |

NOTE: All component dimensions given in U.S. inches  
1 inch = 25.4 mm



# KOHLER ENGINE - MODEL NO. CV730, TYPE NO. 0042

## IGNITION/ELECTRICAL - Group 5

|    |              |   |   |
|----|--------------|---|---|
| 1  | 531 02 97-27 | 1 | KIT, GRASS SCREEN (INCLUDES 2,3)          |
| 2  | 531 02 99-24 | 4 | SCREW, FLG SEMS M4X0.7X25                 |
| 3  | 531 02 97-53 | 1 | DECAL, GRASS SCREEN                       |
| 4  | 531 02 97-31 | 4 | BOLT, SHOULDER                            |
| 5  | 544 95 67-01 | 1 | FAN                                       |
| 6  | 531 02 95-73 | 1 | SCREW, FLG M10X1.5X45                     |
| 7  | 531 02 95-74 | 1 | WASHER, FLAT 13/32"                       |
| 8  | 531 02 95-11 | 1 | KEY, 3/16" X 5/8"                         |
| 9  | 531 02 99-21 | 1 | FLYWHEEL ASSEMBLY - PAINTED               |
| 10 | 531 02 95-85 | 1 | RECTIFIER-REGULATOR                       |
| 11 | 531 02 97-29 | 2 | WASHER, FLAT 3/16"                        |
| 12 | 531 02 97-39 | 2 | SCREW, PHL HD #11-16X7/8"                 |
| 13 | 531 02 95-83 | 1 | CONNECTOR (3 CONTACT)                     |
| 14 | 531 02 95-82 | 1 | KIT, 15 AMP STATOR (INCLUDES 25 452 01-S) |
| 15 | 531 02 95-81 | 2 | SCREW, THD FRM M5X0.8X25                  |
| 16 | 531 02 97-47 | 1 | CLIP, CABLE                               |
| 17 | 531 02 97-48 | 1 | WASHER, FLAT 1/4"                         |
| 18 | 531 02 99-23 | 1 | CLAMP, INSULATED                          |
| 19 | 531 02 99-76 | 2 | MODULE, IGNITION                          |
| 20 | 531 02 99-75 | 2 | PLUG, SPARK                               |
| 21 | 531 02 95-79 | 4 | SCREW, SKT THD FRM M5X0.8X25              |

## NOT ILLUSTRATED

|                     |   |                       |
|---------------------|---|-----------------------|
| 531 02 99-25        | 1 | BRACKET, GROUND STRAP |
| 531 02 99-22        | 1 | WASHER, FLAT 7/32"    |
| <b>544 93 75-01</b> | 2 | TERMINAL              |
| 531 02 97-51        | 1 | HARNESS, WIRING       |
| 531 02 97-54        | 2 | TIE, WIRE             |

## BLOWER HOUSING & BAFFLES - Group 6

|    |              |   |   |
|----|--------------|---|---|
| 1  | 531 02 97-55 | 1 | HOUSING, BLOWER (INCLUDES 2-4, 41 037 10-S) |
| 2  | 531 02 98-52 | 1 | SCREW, WSH HD TAP #8-18X1/2"                |
| 3  | 531 02 96-89 | 1 | COVER, BLOWER HOUSING                       |
| 4  | 531 02 96-94 | 2 | NUT, PLASTIC                                |
| 5  | 531 02 96-61 | 3 | SCREW, FLG THD FRM M5X0.8X16                |
| 6  | 544 93 76-01 | 1 | SCREW, FLG THD FRM M5X0.8X16                |
| 7  | 531 02 95-84 | 4 | SCREW, FLG THD FRM M5X0.8X20                |
| 8  | 531 02 97-63 | 1 | PLATE, BACKING (INCLUDES 25 154 11-S)       |
| 9  | 531 02 97-62 | 6 | SCREW, FLG THD FRM M6X1.0X16                |
| 10 | 544 81 04-01 | 1 | BAFFLE, CYL BARREL #2 SIDE                  |
| 11 | 531 02 97-69 | 1 | BAFFLE, VALLEY #2 SIDE                      |
| 12 | 531 02 96-55 | 2 | SCREW, FLG THD FRM M5X0.8X10                |
| 13 | 531 02 97-88 | 1 | BAFFLE, CYL BARREL #1 SIDE                  |
| 14 | 531 02 97-66 | 1 | BAFFLE, VALLEY #1 SIDE                      |

## NOT ILLUSTRATED

|              |   |                          |
|--------------|---|--------------------------|
| 544 81 02-01 | 1 | CLIP, REPAIR (SPEED NUT) |
| 531 02 99-27 | 1 | NAMEPLATE, SERVICE       |

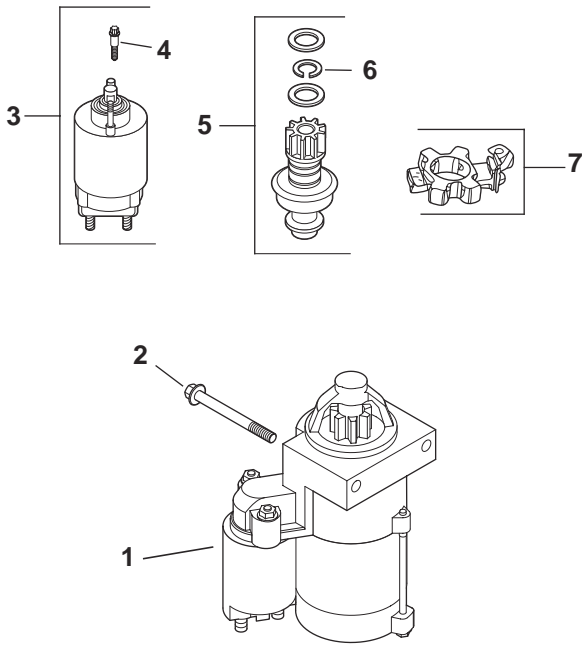
## AIR INTAKE/FILTRATION - Group 10

|    |              |   |                                   |
|----|--------------|---|-----------------------------------|
| 1  | 531 02 98-24 | 1 | KIT, KNOB W/SEAL (INCLUDES 2,3)   |
| 2  | 531 02 98-38 | 1 | KNOB, COVER                       |
| 3  | 531 02 98-26 | 1 | O-RING                            |
| 4  | 531 02 98-27 | 1 | COVER, AIR CLEANER                |
| 5  | 531 02 98-28 | 1 | NUT, WING                         |
| 6  | 531 02 98-29 | 1 | COVER, INNER AIR CLEANER          |
| 7  | 531 02 99-35 | 1 | SEAL, BREATHER                    |
| 8  | 531 02 95-08 | 1 | PRE-CLEANER                       |
| 9  | 531 02 95-09 | 1 | ELEMENT, AIR FILTER               |
| 10 | 531 02 99-39 | 1 | CUP, FUEL SPITBACK W/O NIPPLE     |
| 11 | 531 02 98-33 | 1 | GASKET, FUEL SPITBACK CUP         |
| 12 | 531 02 96-55 | 2 | SCREW, FLG THD FRM M5X0.8X10      |
| 13 | 531 02 99-36 | 1 | BASE, AIR CLEANER                 |
| 14 | 531 02 97-37 | 1 | BRACKET, AIR CLEANER BASE         |
| 15 | 531 02 97-80 | 1 | GASKET, AIR CLEANER BASE          |
| 16 | 531 02 98-41 | 4 | SCREW, FLG M6X1.0X40              |
| 17 | 531 02 98-37 | 1 | MANIFOLD, INTAKE (INCLUDES 18,19) |
| 18 | 531 02 97-40 | 2 | O-RING, INTAKE PORT               |
| 19 | 531 02 95-90 | 1 | GASKET, CARBURETOR                |

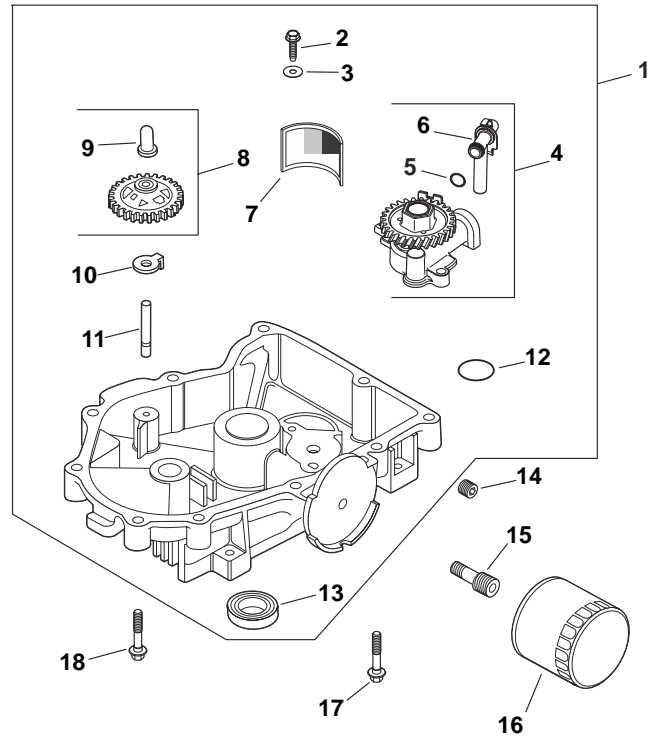
NOTE: All component dimensions given in U.S. inches  
1 inch = 25.4 mm

# KOHLER ENGINE - MODEL NO. CV730, TYPE NO. 0042

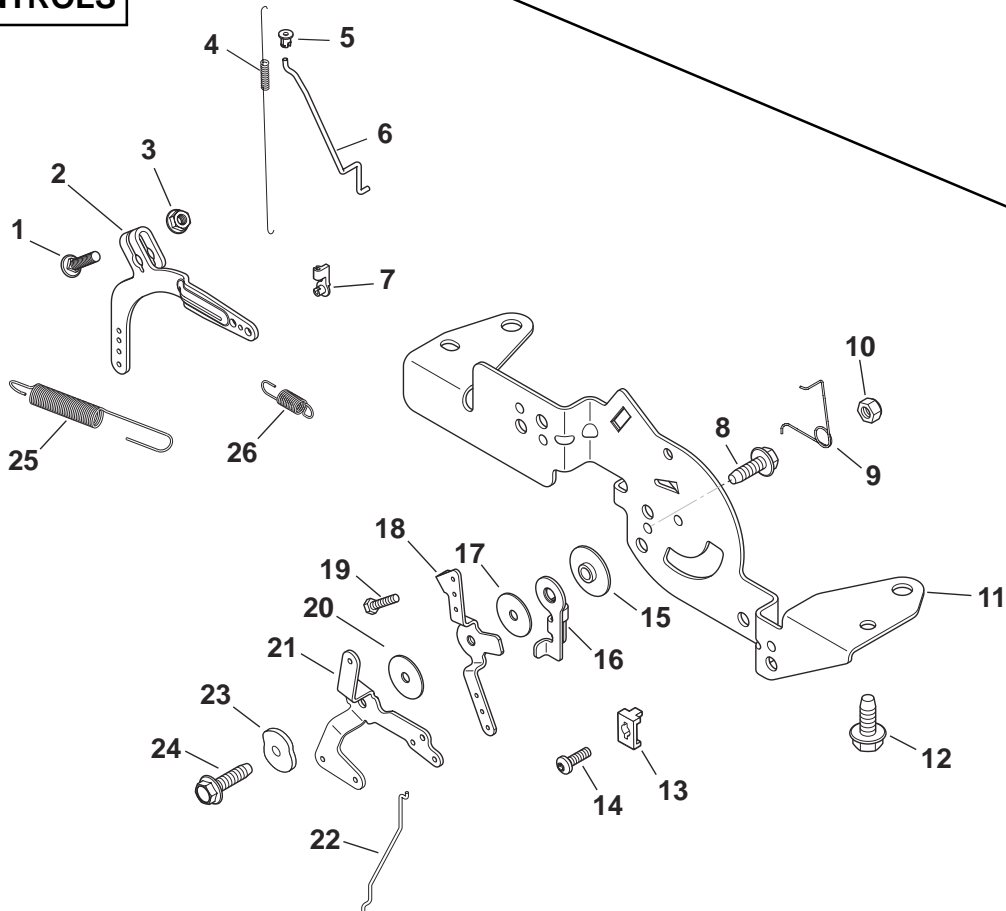
## STARTING SYSTEM



## OIL PAN/LUBRICATION



## ENGINE CONTROLS



# KOHLER ENGINE - MODEL NO. CV730, TYPE NO. 0042

## STARTING SYSTEM - Group 7

|   |              |   |  |
|---|--------------|---|--|
| 1 | 531 02 97-72 | 1 | STARTER ASSY, SOLENOID<br>SHIFT (INCLUDES 3-7) |
| 2 | 531 02 97-71 | 2 | SCREW, FLG M8X1.25X80                          |
| 3 | 531 02 97-74 | 1 | SOLENOID ASSY (INCLUDES 4)                     |
| 4 | 531 02 98-51 | 3 | SCREW, EXTERNAL TORX HEAD                      |
| 5 | 531 02 97-75 | 1 | KIT, STARTER PINION<br>(INCLUDES 6)            |
| 6 | 531 02 98-54 | 1 | RING   |
| 7 | 531 02 97-77 | 1 | BRUSH, HOLDER                                  |

## OIL PAN/LUBRICATION - Group 3

|    |              |   |  |
|----|--------------|---|--|
| 1  | 531 02 96-71 | 1 | PAN , OIL ASSEMBLY (INCLUDES<br>2-13)    |
| 2  | 531 02 96-76 | 2 | SCREW, FLG THD FRM<br>M6X1.0X25          |
| 3  | 531 02 96-75 | 2 | WASHER, FLAT 6 MM                        |
| 4  | 531 02 96-72 | 1 | PUMP ASSEMBLY, OIL<br>(INCLUDES 5,6)     |
| 5  | 531 02 96-74 | 1 | O-RING, OIL PICK-UP                      |
| 6  | 531 02 96-73 | 1 | TUBE, OIL PICK-UP                        |
| 7  | 531 02 96-77 | 1 | SCREEN, OIL                              |
| 8  | 531 02 96-78 | 1 | KIT, COVERNOR GEAR W/PIN<br>(INCLUDES 9) |
| 9  | 531 02 95-49 | 1 | PIN, GOVERNOR REGULATING                 |
| 10 | 531 02 99-12 | 1 | TAB, LOCKING                             |
| 11 | 531 02 96-81 | 1 | SHAFT, GOVERNOR GEAR                     |
| 12 | 531 02 96-82 | 1 | O-RING                                   |
| 13 | 531 02 96-83 | 1 | SEAL, OIL (PTO END)                      |
| 14 | 531 02 96-84 | 1 | PLUG, PIPE CTSK 3/8"                     |
| 15 | 531 02 99-13 | 1 | NIPPLE, OIL FILTER                       |
| 16 | 531 02 95-03 | 1 | FILTER, OIL                              |
| 17 | 531 02 96-87 | 1 | SCREW, FLG M8X1.25X45                    |
| 18 | 531 02 96-88 | 9 | SCREW, FLG M8X1.25X45                    |

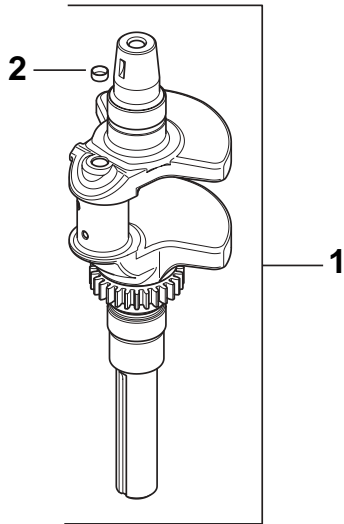
## ENGINE CONTROLS - Group 9

|    |              |   |                                  |
|----|--------------|---|----------------------------------|
| 1  | 531 02 97-97 | 1 | BOLT, RD HD SQ NECK<br>M6X1.0X25 |
| 2  | 531 02 97-98 | 1 | LEVER, GOVERNOR                  |
| 3  | 531 02 96-02 | 1 | NUT, FLG M6X1.0                  |
| 4  | 531 02 98-00 | 1 | SPRING, LINKAGE                  |
| 5  | 531 02 96-26 | 1 | BUSHING, LINKAGE RETAINING       |
| 6  | 531 02 98-02 | 1 | LINKAGE, THROTTLE                |
| 7  | 531 02 96-24 | 1 | BUSHING, THROTTLE LINKAGE        |
| 8  | 531 02 96-61 | 1 | SCREW, FLG THD FRM<br>M5X0.8X16  |
| 9  | 531 02 98-06 | 1 | SPRING, CHOKE RETURN             |
| 10 | 531 02 98-05 | 1 | NUT, LOCK M5X0.8                 |
| 11 | 531 02 99-33 | 1 | BRACKET, CONTROL                 |
| 12 | 531 02 97-62 | 4 | SCREW, FLG THD FRM<br>M6X1.0X16  |
| 13 | 531 02 96-13 | 2 | CLAMP, CABLE                     |
| 14 | 531 02 96-14 | 2 | SCREW, LBD THD FRM<br>M5x0.8x16  |
| 15 | 531 02 98-11 | 1 | SPACER, CONTROL ASSEMBLY         |
| 16 | 531 02 98-12 | 1 | LEVER, THROTTLE ACTUATOR         |
| 17 | 531 02 98-13 | 1 | WASHER, FLAT 5 MM                |
| 18 | 531 02 98-15 | 1 | LEVER, THROTTLE CONTROL          |
| 19 | 531 02 99-95 | 1 | SCREW, HD CAP M4X0.7X25          |
| 20 | 531 02 98-16 | 1 | WASHER, FLAT 5.5 MM              |
| 21 | 531 02 98-18 | 1 | LEVER, CHOKE                     |
| 22 | 531 02 98-21 | 1 | LINKAGE, CHOKE                   |
| 23 | 531 02 98-19 | 1 | WASHER, SPRING 1/4"              |
| 24 | 531 02 95-84 | 1 | SCREW, FLG THD FRM<br>M5X0.8X20  |
| 25 | 531 02 98-22 | 1 | SPRING, GOVERNOR                 |
| 26 | 531 02 98-23 | 1 | SPRING, GOVERNOR                 |

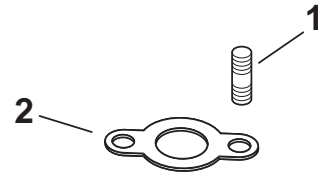
NOTE: All component dimensions given in U.S. inches  
1 inch = 25.4 mm

# KOHLER ENGINE - MODEL NO. CV730, TYPE NO. 0042

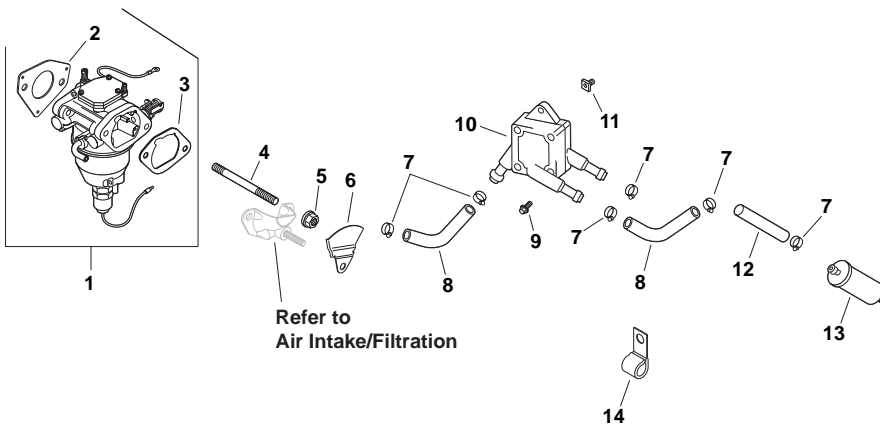
## CRANKSHAFT



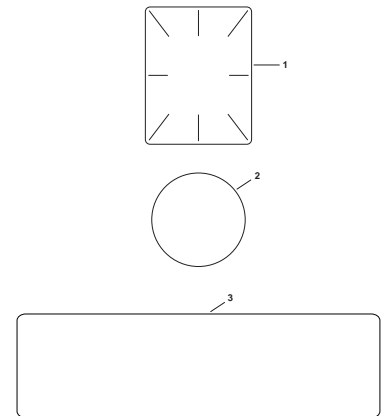
## EXHAUST



## FUEL SYSTEM



## DECALS



Artwork is representative.  
Actual labels may differ depending on model and specification number.



# KOHLER ENGINE - MODEL NO. CV730, TYPE NO. 0042

## CRANKSHAFT - Group 1

- |   |              |   |                         |
|---|--------------|---|-------------------------|
| 1 | 531 02 99-03 | 1 | CRANKSHAFT (INCLUDES 2) |
| 2 | 531 02 96-54 | 1 | PLUG, CUP               |

## EXHAUST - Group 11

- |   |              |   |                  |
|---|--------------|---|------------------|
| 1 | 531 02 96-31 | 4 | STUD, M8X1.25X33 |
| 2 | 531 02 98-43 | 2 | GASKET, EXHAUST  |

## FUEL SYSTEM - Group 8

- |    |              |   |   |
|----|--------------|---|---|
| 1  | 531 02 99-29 | 1 | KIT, CARB (W/REDUCED VOL ACC PUMP) (INCLUDES 2,3) |
| 2  | 531 02 95-90 | 1 | GASKET, CARBURETOR                                |
| 3  | 531 02 97-80 | 1 | GASKET, AIR CLEANER BASE                          |
| 4  | 531 02 97-81 | 2 | STUD, M6X1.0X96                                   |
| 5  | 531 02 96-02 | 2 | NUT, FLG M6X1.0                                   |
| 6  | 531 02 97-82 | 1 | BAFFLE, SPIT-BACK CUP                             |
| 7  | 531 02 96-04 | 6 | CLAMP, HOSE                                       |
| 8  | 531 02 99-87 | 2 | LINE, FUEL (24"-CUT TO LENGTH)                    |
| 9  | 531 02 96-79 | 2 | SCREW, TAP M6X1.7X18                              |
| 10 | 544 81 05-01 | 1 | PUMP, FUEL  |
| 11 | 531 02 96-94 | 2 | NUT, PLASTIC                                      |
| 12 | 531 02 98-60 | 1 | LINE, FLEX FUEL 11" PUMP-PULSE                    |
| 13 | 531 02 98-71 | 1 | FILTER, FUEL                                      |
| 14 | 531 02 97-83 | 1 | CLIP, CABLE                                       |

## NOT ILLUSTRATED

- |              |   |                            |
|--------------|---|----------------------------|
| 531 02 99-32 | 1 | BOWL, FLOAT                |
| 531 02 97-93 | 1 | KIT, REPAIR OVERHAUL       |
| 531 02 97-94 | 1 | KIT, REPAIR SERVICE CHOKE  |
| 531 02 97-95 | 1 | KIT, REPAIR SERVICE GASKET |
| 531 02 97-96 | 1 | KIT, REPAIR SOLENOID VALVE |

## DECALS - Group 12

- |   |              |   |                       |
|---|--------------|---|-----------------------|
| 1 | 531 02 98-42 | 1 | DECAL, CLEAR LAMINATE |
| 2 | 531 02 97-53 | 1 | DECAL, GRASS SCREEN   |
| 3 | 531 02 99-28 | 1 | DECAL, 26 HP          |

## SHORT BLOCK 42-24-332

- |              |   |                 |
|--------------|---|-----------------|
| 531 02 99-37 | 1 | SHORT BLOCK     |
| 544 80 99-01 | 1 | KIT, GASKET SET |

## MINIBLOCK 43-24-23

- |              |   |                 |
|--------------|---|-----------------|
| 531 02 99-38 | 1 |                 |
| 544 80 99-01 | 1 | KIT, GASKET SET |