

IPL, Kohler Courage 15 hp, 2007-01, 504 04 88-02

SV470-0011

Kohler Courage 15hp

Spare parts

Ersatzteile

Pièces détachées

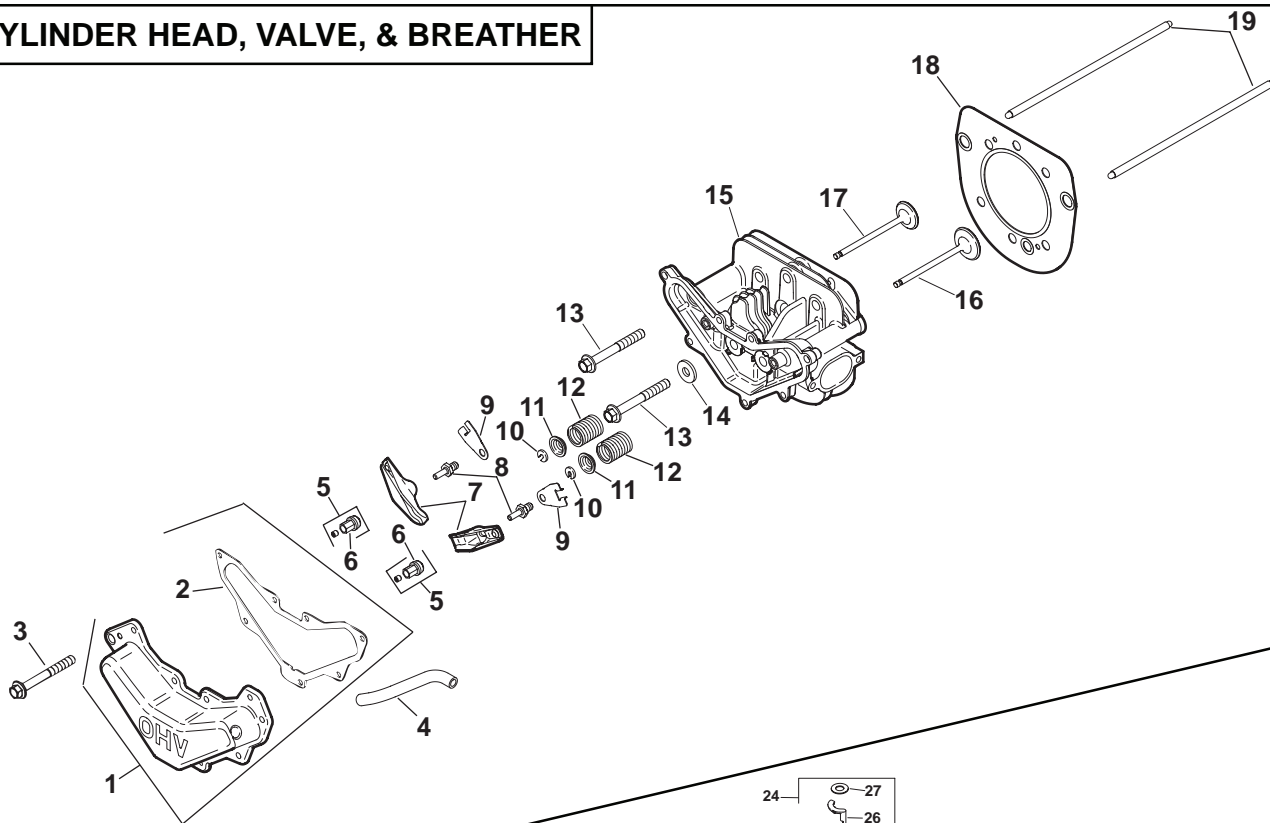
Reserve onderdelen

Repuestos

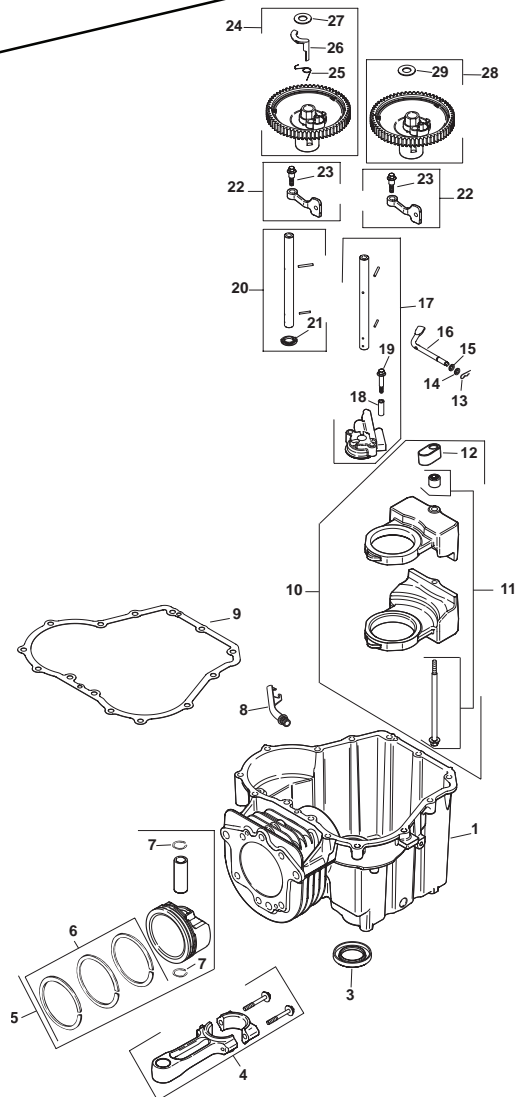
Reservdelar

KOHLER ENGINE - MODEL NO. SV470, TYPE NO. 0011

CYLINDER HEAD, VALVE, & BREATHER



CRANKCASE



KOHLER ENGINE - MODEL NO. SV470, TYPE NO. 0011

HEAD/VALVE/BREATHER - Group 4

1	531 02 98-78	1	KIT, VALVE COVER (INCLUDES 2)
2	531 02 95-54	1	GASKET, VALVE COVER
3	531 02 95-55	7	SCREW, FLG THD FRM M6X1.0X20
4	531 02 95-56	1	HOSE, BREATHER
5	531 02 95-57	2	PIVOT, ROCKER ARM
6	531 02 95-58	2	SCREW, SET
7	531 02 95-59	2	ARM, ROCKER
8	531 02 95-60	2	STUD, ROCKER
9	531 02 95-61	2	PLATE, PUSH ROD GUIDE
10	531 02 95-62	2	LOCK, RETAINER
11	531 02 95-63	2	CAP, VALVE SPRING
12	531 02 95-64	2	SPRING, VALVE
13	531 02 95-65	6	SCREW, FLG M10X1.5X80
14	531 02 95-66	1	WASHER, FLAT 13/32"
15	531 02 95-67	1	CYLINDER HEAD ASSEMBLY
16	531 02 95-68	1	VALVE, EXHAUST
17	531 02 95-69	1	VALVE, INTAKE
18	531 02 98-72	1	KIT, GASKET CYL HEAD (INCLUDES 2,13,14, 12 041 01-S, 12 041 02-S, & 12 041 07-S)
19	531 02 95-71	2	ROD, PUSH

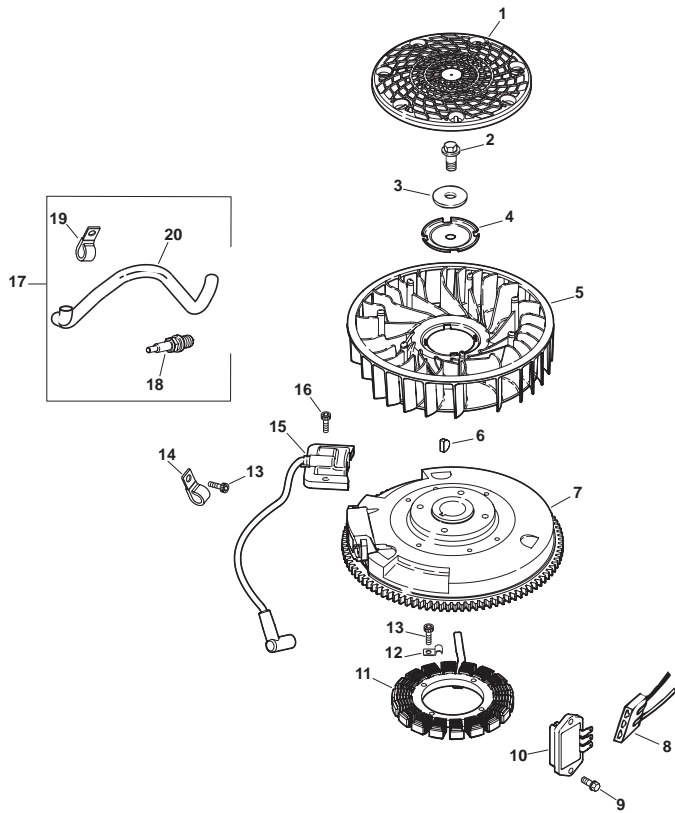
CRANKCASE - Group 2

1	-----	1	CRANKCASE (USE SHORT BLOCK)
3	531 02 95-14	1	SEAL, OIL
4	531 02 95-16	1	ROD, CONNECTING
5	531 02 95-17	1	KIT, PISTON W/ RINGS (84 MM) (INCLUDES 6,7)
6	531 02 95-18	1	RING SET (84 MM)
7	531 02 95-19	2	RETAINER, PISTON PIN
8	531 02 98-85	1	TUBE, DRAINBACK
9	531 02 95-44	1	GASKET, CLOSURE PLATE
10	531 02 95-20	2	KIT, BALANCE WEIGHT (INCLUDES 11,12)
11	531 02 95-21	1	PIN, LOCATING
12	531 02 95-22	1	SHOE, GUIDE
13	531 02 95-23	1	CLIP, HITCH PIN
14	531 02 95-24	1	WASHER, FLAT 6 MM
15	531 02 95-39	1	WASHER, FLAT 1/4"
16	531 02 95-25	1	SHAFT, GOVERNOR CROSS
17	531 02 98-39	1	KIT, OIL PUMP ASSEMBLY (INCLUDES 9,18,19)
18	531 02 95-27	2	SPACER, OIL PUMP SCREW
19	531 02 95-28	2	SCREW, OIL PUMP
20	531 02 98-77	1	KIT, CAMSHAFT CENTER- EXHAUST ASSEMBLY (INCLUDES 21)
21	531 02 95-32	1	WASHER, THRUST
22	531 02 95-33	2	KIT, CAM LEVER ASSEMBLY (INCLUDES 23)
23	531 02 95-34	2	SCREW, SHD THD FRM M6X1X26
24	531 02 95-35	1	KIT, CAMSHAFT ASSEMBLY (INCLUDES 25-27)
25	531 02 95-36	1	SPRING, ACR
26	531 02 95-37	1	WEIGHT, ACR
27	531 02 95-38	1	WASHER, THRUST -ACR
28	531 02 95-35	1	KIT, CAMSHAFT ASSEMBLY (INCLUDES 29)
29	531 02 95-38	1	WASHER, THRUST -ACR

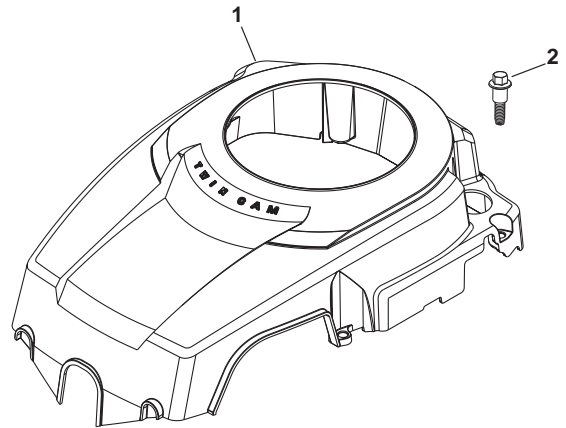
NOTE: All component dimensions given in U.S. inches
1 inch = 25.4 mm

KOHLER ENGINE - MODEL NO. SV470, TYPE NO. 0011

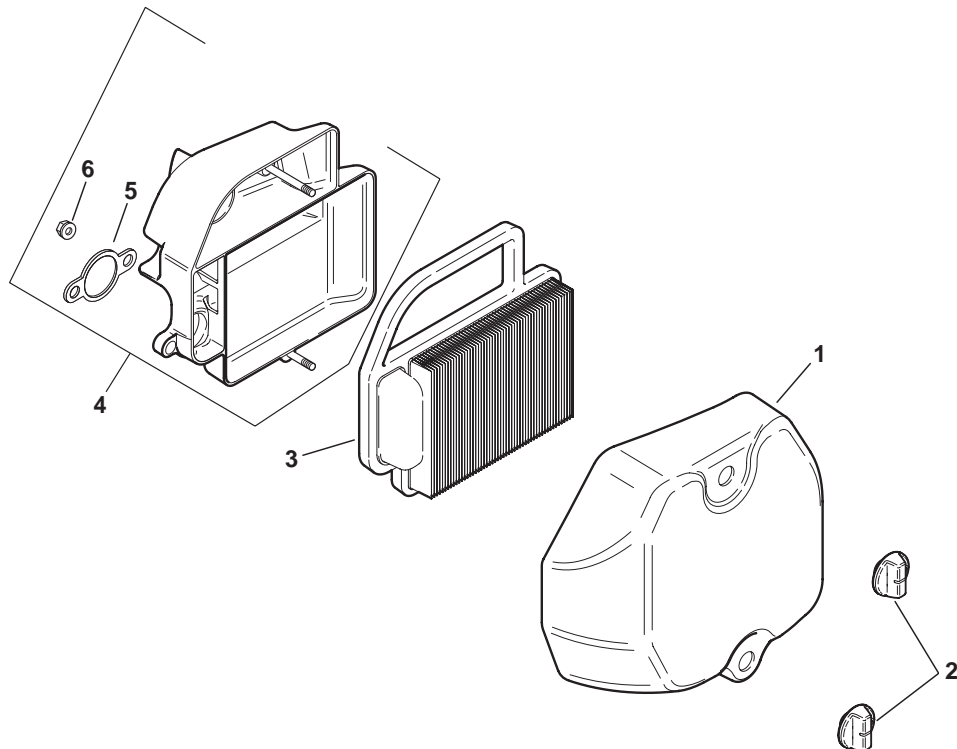
IGNITION/ELECTRICAL



BLOWER HOUSING & BAFFLES



AIR INTAKE



KOHLER ENGINE - MODEL NO. SV470, TYPE NO. 0011

IGNITION/ELECTRICAL - Group 5

1	531 02 95-72	1	SCREEN, GRASS
2	531 02 95-73	1	SCREW, FLG M10X1.5X45
3	531 02 95-74	1	WASHER, FLAT 13/32"
4	544 93 68-01	1	PLATE, FAN MOUNTING
5	531 02 95-76	1	FAN
6	531 02 95-11	1	KEY, 3/16" X 5/8"
7	531 02 95-78	1	FLYWHEEL
8	531 02 95-83	1	CONNECTOR (3 CONTACT)
9	531 02 95-84	2	SCREW, FLG THD FRM M5X0.8X20
10	531 02 95-85	1	RECTIFIER-REGULATOR
11	531 02 95-82	1	KIT, 15 AMP STATOR (INCLUDES 25 452 01-S {qnty 2})
12	531 02 99-40	1	CLIP, STATOR WIRE
13	531 02 98-87	2	SCREW, SKT THD FRM M5X0.8X25
14	531 02 95-80	2	CLIP, CABLE
15	531 02 95-87	1	MODULE, IGNITION
16	531 02 95-79	2	SCREW, SKT THD FRM M5X0.8X25
17	531 02 97-73	1	KIT, RFI SUPPRESSION (INCLUDES 18-20)
18	531 02 97-76	1	PLUG, SPARK
19	531 02 97-85	1	CLIP, CABLE
20	531 02 97-99	1	TUBE, RFI

NOT ILLUSTRATED

531 02 95-88	1	HARNES, WIRING - SIX PIN
--------------	---	--------------------------

BLOWER HOUSING & BAFFLES - Group 6

1	531 02 95-89	1	KIT,BLOWER HOUSING
2	531 02 95-34	4	SCREW, SHD THD FRM M6X1X26

NOT ILLUSTRATED

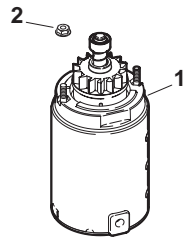
531 02 99-27	1	NAMEPLATE, SERVICE
--------------	---	--------------------

AIR INTAKE/FILTRATION - Group 10

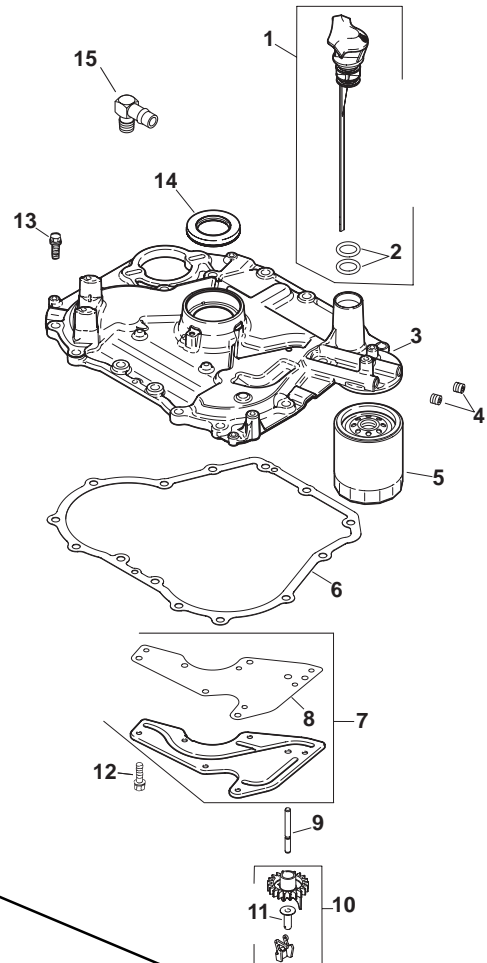
1	531 02 97-25	1	COVER, AIR CLEANER
2	531 02 98-38	2	KNOB, COVER
3	531 02 95-01	1	ELEMENT, AIR CLEANER
4	531 02 96-29	1	KIT, AIR CLEANER BASE (INCLUDES 5,6)
5	531 02 96-00	1	GASKET, AIR CLEANER BASE
6	531 02 96-02	1	NUT, FLG M6X1.0

KOHLER ENGINE - MODEL NO. SV470, TYPE NO. 0011

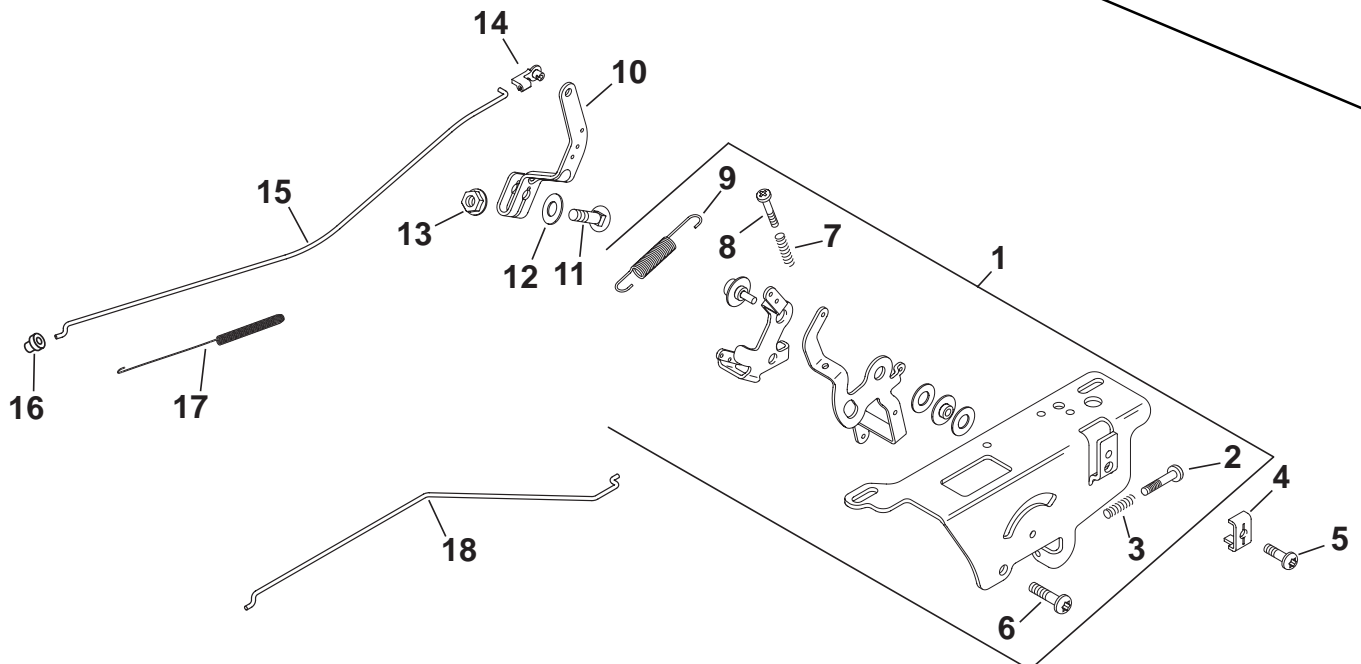
STARTING SYSTEM



OIL PAN/LUBRICATION



ENGINE CONTROLS



KOHLER ENGINE - MODEL NO. SV470, TYPE NO. 0011

STARTING SYSTEM - Group 7

- | | | | |
|---|--------------|---|-------------------------------|
| 1 | 531 02 95-93 | 1 | STARTER ASSY, INERTIA DRIVE |
| 2 | 531 02 95-94 | 2 | NUT, FREE SPINNING FLG #10-24 |

OIL PAN/LUBRICATION - Group 3

- | | | | |
|----|--------------|----|--|
| 1 | 531 02 95-40 | 1 | KIT, DIPSTICK BLADE (INCLUDES 2) |
| 2 | 531 02 95-41 | 2 | O-RING |
| 3 | 531 02 95-42 | 1 | KIT, PLATE, CLOSURE BEARING (INCLUDES 4, 7-12, 14) |
| 4 | 531 02 95-43 | 2 | PLUG, CTSK PIPE 1/8" |
| 5 | 531 02 95-03 | 1 | FILTER, OIL |
| 6 | 531 02 95-44 | 1 | GASKET, CLOSURE PLATE |
| 7 | 531 02 95-45 | 1 | KIT, OIL PASSAGE COVER (INCLUDES 8) |
| 8 | 531 02 95-46 | 1 | GASKET, OIL PASSAGE |
| 9 | 531 02 95-47 | 1 | SHAFT, GOVERNOR CROSS |
| 10 | 531 02 95-48 | 1 | KIT, GOVERNOR GEAR ASSY (INCLUDES 11) |
| 11 | 531 02 95-49 | 1 | PIN, GOVERNOR REGULATING |
| 12 | 531 02 95-50 | 6 | SCREW, FLG THD FRM M5X0.8X13 |
| 13 | 531 02 95-51 | 14 | SCREW, FLG M8X1.25X30 |
| 14 | 531 02 95-14 | 1 | SEAL, OIL |
| 15 | 531 02 98-73 | 1 | CONNECTOR, 90° HOSE |

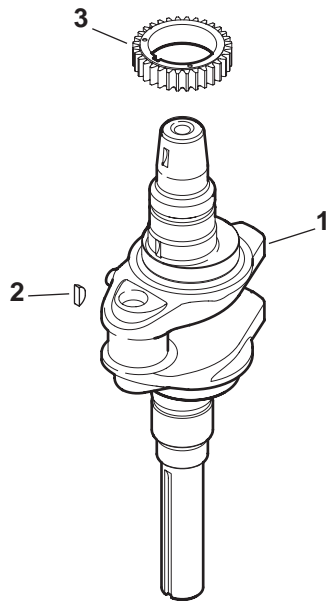
ENGINE CONTROLS - Group 9

- | | | | |
|----|--------------|---|--|
| 1 | 531 02 98-79 | 1 | KIT, SPEED CONTROL ASSEMBLY (INCLUDES 2,3,6-9) |
| 2 | 531 02 96-18 | 1 | SCREW, PHL THD FRM M4X0.7X25 |
| | 531 02 98-94 | 1 | SCREW, PHL THD FRM M4X0.7X38 |
| 3 | 531 02 96-17 | 1 | SPRING, SPEED CONTROL (SHORT) |
| | 531 02 98-95 | 1 | SPRING, SPEED CONTROL (LONG) |
| 4 | 531 02 96-13 | 1 | CLAMP, CABLE |
| 5 | 531 02 96-14 | 1 | SCREW, LBD THD FRM M5x0.8x16 |
| 6 | 531 02 96-15 | 2 | SCREW, LBD SKT M6x1.0x20 |
| 7 | 531 02 96-17 | 1 | SPRING, SPEED CONTROL (SHORT) |
| 8 | 531 02 96-18 | 1 | SCREW, PHL THD FRM M4X0.7X25 |
| 9 | 531 02 96-23 | 1 | SPRING, GOVERNOR |
| 10 | 531 02 96-19 | 1 | LEVER, GOVERNOR |
| 11 | 531 02 96-20 | 1 | BOLT, RD HD SQ NCK 1/4-20X1" |
| 12 | 531 02 96-06 | 1 | WASHER, INT TOOTH LOCK 1/4" |
| 13 | 531 02 96-22 | 1 | NUT, HEX FLG 1/4-20" |
| 14 | 531 02 96-24 | 1 | BUSHING, THROTTLE LINKAGE |
| 15 | 531 02 96-25 | 1 | LINKAGE, THROTTLE |
| 16 | 531 02 96-26 | 1 | BUSHING, LINKAGE RETAINING |
| 17 | 531 02 98-96 | 1 | SPRING, LINKAGE |
| 18 | 531 02 96-16 | 1 | LINKAGE, CHOKE |

NOTE: All component dimensions given in U.S. inches
1 inch = 25.4 mm

KOHLER ENGINE - MODEL NO. SV470, TYPE NO. 0011

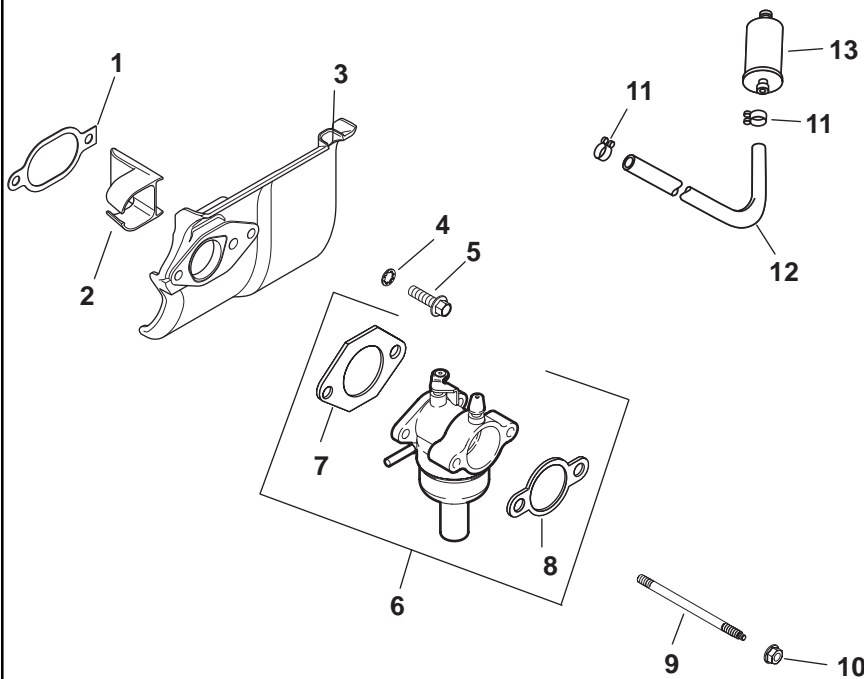
CRANKSHAFT



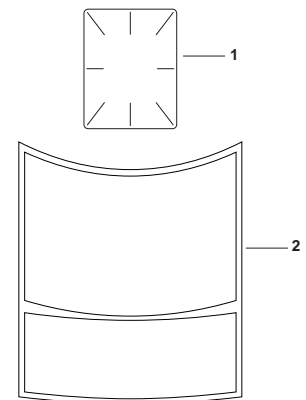
EXHAUST



FUEL SYSTEM



DECALS



Artwork is representative.
Actual labels may differ depending on model and specification number.

KOHLER ENGINE - MODEL NO. SV470, TYPE NO. 0011

CRANKSHAFT - Group 1

- 1 531 02 95-52 1 KIT, CRANKSHAFT
- 2 531 02 95-11 1 KEY, 3/16" X 5/8"
- 3 531 02 95-12 1 GEAR, CRANKSHAFT

EXHAUST - Group 11

- 1 531 02 96-31 2 STUD, M8X1.25X33

FUEL SYSTEM - Group 8

- 1 531 02 95-95 1 GASKET, HEAT DEFLECTOR
- 2 544 93 69-01 1 INSERT, INTAKE PORT
- 3 544 93 70-01 1 DEFLECTOR, HEAT
- 4 531 02 96-06 1 WASHER, INT TOOTH LOCK 1/4"

- 5 531 02 95-97 1 SCREW, FLG M6x1.0x20
- 6 544 93 72-01 1 KIT,CARB SV470/480 GRVTY
FED SYS (INCLUDES 7,8)
- 7 531 02 95-99 1 GASKET, CARBURETOR
- 8 531 02 96-00 1 GASKET, AIR CLEANER BASE
- 9 531 02 96-01 2 STUD, M6X1.0X100
- 10 531 02 96-02 2 NUT, FLG M6X1.0
- 11 531 02 96-04 2 CLAMP, HOSE
- 12 531 02 99-87 1 LINE, FUEL (24"-CUT TO
LENGTH)
- 13 531 02 95-02 1 FILTER, FUEL

NOT ILLUSTRATED

- 544 93 71-01 1 TIE
- 531 02 96-07 1 KIT, REPAIR FLOAT
- 531 02 96-08 1 KIT, REPAIR CARBURETOR
- 531 02 96-09 1 KIT, REPAIR SOLENOID
- 531 02 96-10 1 KIT, REPAIR BOWL
REPLACEMENT

- 544 93 73-01 1 KIT, HIGH ALTITUDE (5000 FT)
- 544 93 74-01 1 KIT, HIGH ALTITUDE (10,000 FT)

DECALS 12-20-4

- 1 531 02 98-42 1 DECAL, CLEAR LAMINATE
- 2 531 02 95-92 1 DECAL, 15 HP

SHORTBLOCK 42-20-3

- 522 90 59-01 1 SV470/480 SHORT BLOCK

KIT, GASKET SET

- 531 02 96-34 1