

Kohler Courage 17hp

Spare parts

Ersatzteile

Pièces détachées

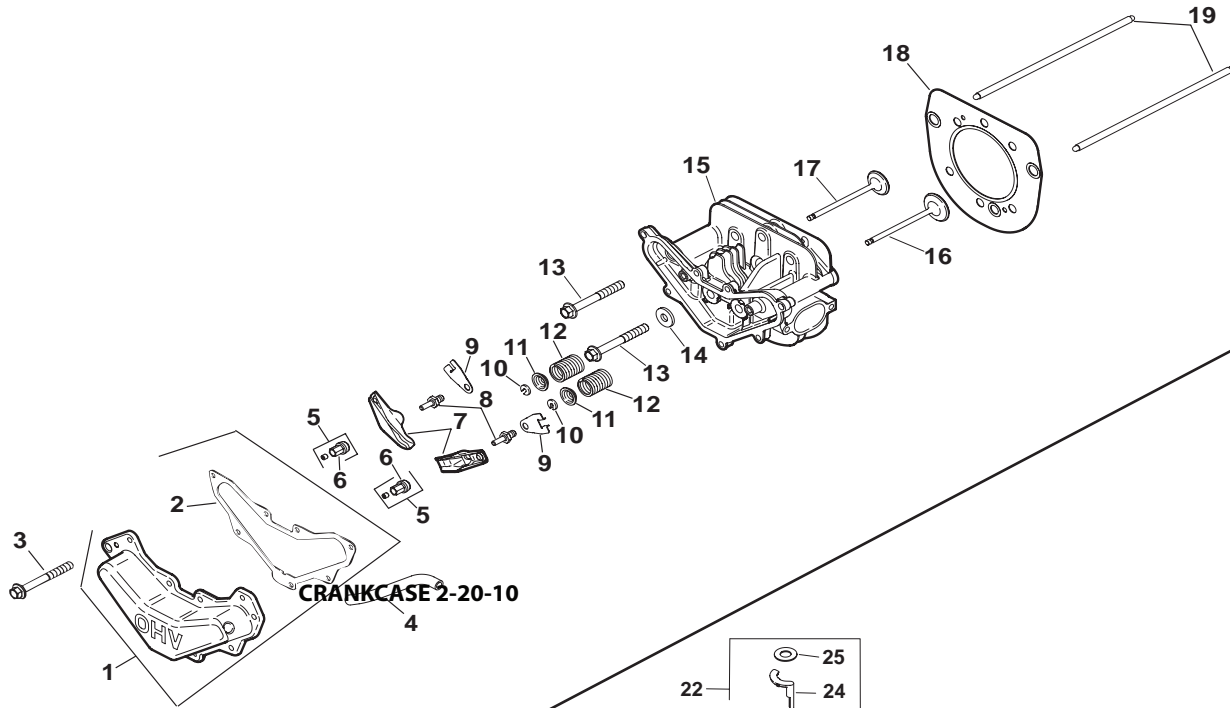
Reserve onderdelen

Repuestos

Reservdelar

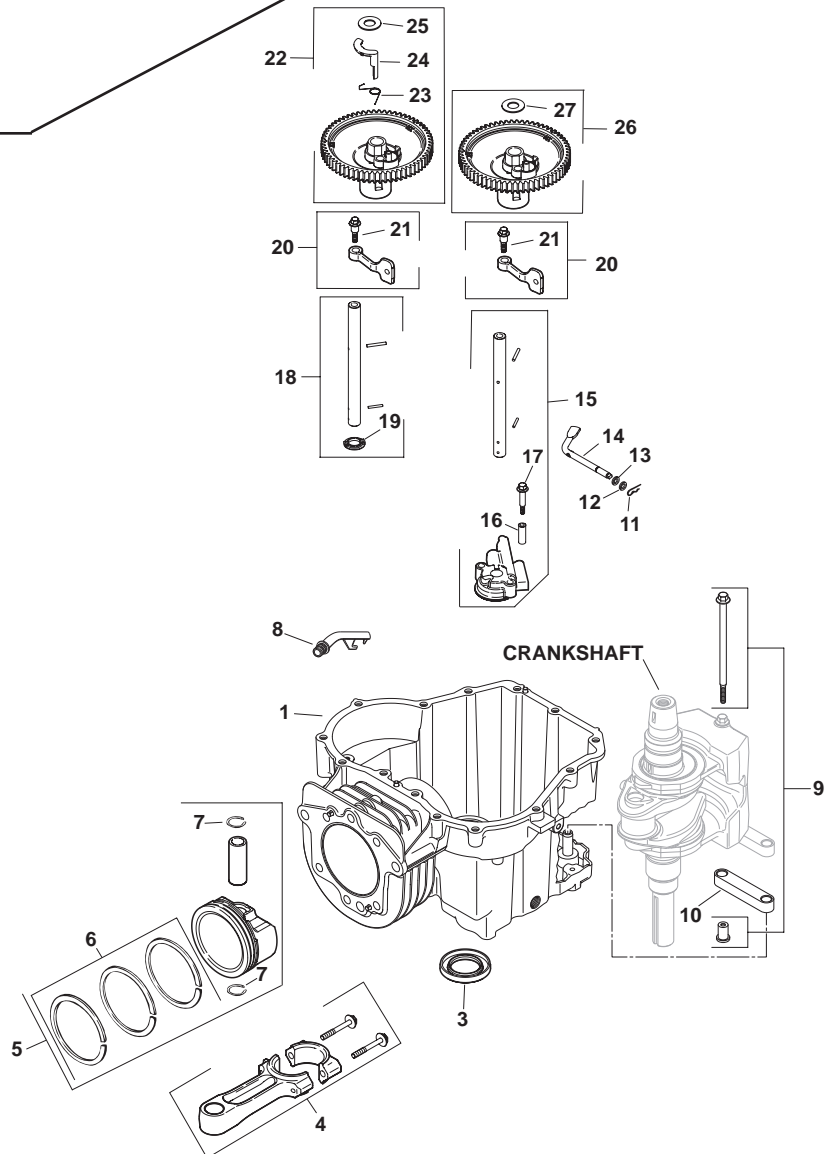
KOHLER ENGINE - MODEL NO. SV530, TYPE NO. 0025

CYLINDER HEAD, VALVE, & BREATHER



SV530-0025

CRANKCASE



KOHLER ENGINE - MODEL NO. SV530, TYPE NO. 0025

HEAD/VALVE/BREATHER 4-20-8

1	531 02 98-78	1	KIT, VALVE COVER (INCLUDES 2)
2	531 02 95-54	1	GASKET, VALVE COVER
3	531 02 95-55	7	SCREW, FLG THD FRM M6X1.0X20
4	531 02 95-56	1	HOSE, BREATHER
5	531 02 95-57	2	PIVOT, ROCKER ARM (INCLUDES 6)
6	531 02 95-58	2	SCREW, SET
7	531 02 95-59	2	ARM, ROCKER
8	531 02 95-60	2	STUD, ROCKER
9	531 02 95-61	2	PLATE, PUSH ROD GUIDE
10	531 02 95-62	2	LOCK, RETAINER
11	531 02 95-63	2	CAP, VALVE SPRING
12	531 02 95-64	2	SPRING, VALVE
13	531 02 95-65	6	SCREW, FLG M10X1.5X80
14	531 02 95-66	1	WASHER, FLAT 13/32"
15	531 02 95-67	1	HEAD, CYLINDER ASSEMBLY
16	531 02 95-68	1	VALVE, EXHAUST
17	531 02 95-69	1	VALVE, INTAKE
18	531 02 98-72	1	KIT, GASKET CYL HEAD (INCLUDES 2, 13, 14)
19	531 02 95-71	2	ROD, PUSH

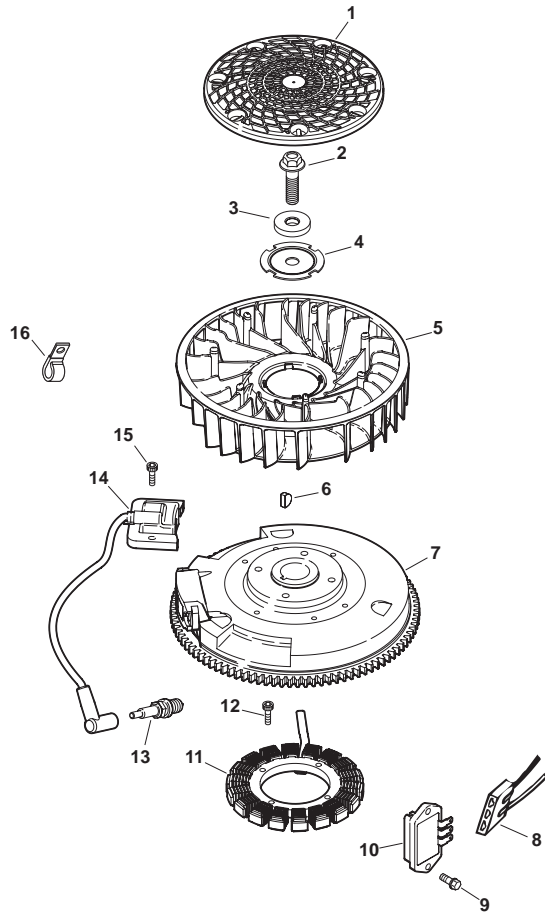
CRANKCASE 2-20-10

1		1	CRANKCASE (USE SHORT BLOCK 522 90 58-01)
3	531 02 95-14	1	SEAL, OIL
4	531 02 95-16	1	ROD, CONNECTING
5	531 02 95-77	1	KIT, PISTON W/RING SET (89MM) (INCLUDES 6,7)
6	531 02 96-86	1	RING SET (89 MM)
7	531 02 95-19	2	RETAINER, PISTON PIN
8	531 02 98-85	1	TUBE, DRAINBACK
9	531 02 95-21	1	KIT, LOCATING PIN
10	504 57 79-01	1	LINKAGE, BALANCE WEIGHT
11	531 02 95-23	1	CLIP, HITCH PIN
12	531 02 95-24	1	WASHER, FLAT 6 MM
13	531 02 95-39	1	WASHER, FLAT 1/4"
14	531 02 96-81	1	SHAFT, GOVERNOR CROSS
15	531 02 98-39	1	KIT, OIL PUMP ASSEMBLY (INCLUDES 16,17)
16	531 02 95-27	2	SPACER, OIL PUMP SCREW
17	531 02 95-28	2	SCREW, OIL PUMP
18	531 02 98-77	1	KIT, CAMSHAFT CNTR- EXHAUST (INCLUDES 19)
19	531 02 95-32	1	WASHER, THRUST
20	531 02 95-33	2	KIT, CAM LEVER ASSEMBLY (INCLUDES 21)
21	531 02 95-34	2	SCREW, SHD THD FRM M6X1.0X26
22	531 02 95-35	1	KIT, CAMSHAFT ASSEMBLY (INCLUDES 23-25)
23	531 02 95-36	1	SPRING, ACR
24	531 02 95-37	1	WEIGHT, ACR
25	531 02 95-38	1	WASHER, THRUST-ACR
26	531 02 95-35	1	KIT, CAMSHAFT ASSEMBLY (INCLUDES 27)
27	531 02 95-38	1	WASHER, THRUST-ACR

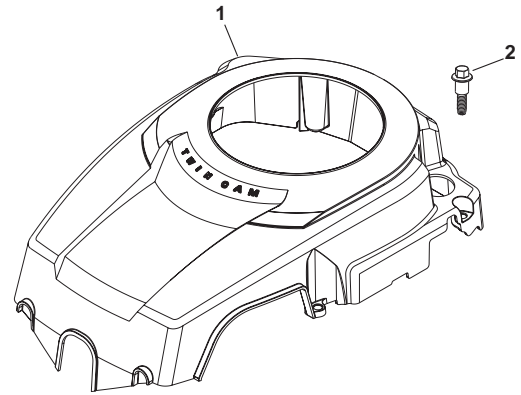
NOTE: All component dimensions given in U.S. inches
1 inch = 25.4 mm

KOHLER ENGINE - MODEL NO. SV530, TYPE NO. 0025

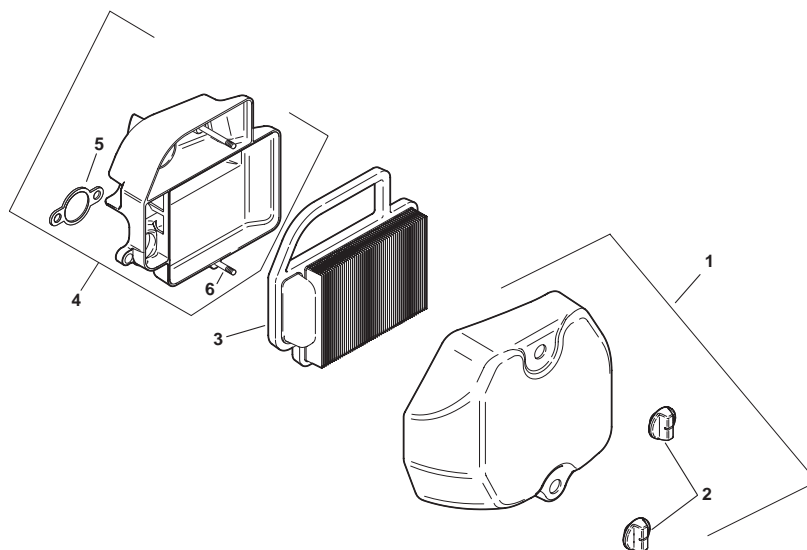
IGNITION/ELECTRICAL



BLOWER HOUSING & BAFFLES



AIR INTAKE



KOHLER ENGINE - MODEL NO. SV530, TYPE NO. 0025

IGNITION/ELECTRICAL 5-20-27

1	531 02 95-72	1	SCREEN, GRASS
2	504 57 86-01	1	SCREW, HEX FLANGE
3	504 58 05-01	1	WASHER, FLAT
4	544 93 68-01	1	PLATE, FAN MOUNTING
5	531 02 95-76	1	FAN
6	531 02 95-11	1	KEY, 3/16" X 5/8"
7	531 02 95-78	1	FLYWHEEL ASSEMBLY
8	531 02 95-83	1	CONNECTOR (3 CONTACT)
9	531 02 95-84	2	SCREW, FLG THD FRM M5X.8X20
10	504 57 71-01	1	REGULATOR/RECTIFIER
11	531 02 95-82	1	KIT, 15 AMP STATOR
12	531 02 98-87	2	SCREW, TRX HD DRIVE FASTENER
13	531 02 99-75	1	SPARK PLUG, RFI
14	531 02 95-87	1	MODULE, IGNITION (CDI FIXED)
15	531 02 95-79	2	SCREW, SKT THD FRM M5X0.8X25
16	504 57 78-01	1	CLIP, WIRE
NOT ILLUSTRATED			
	532 02 95-88	1	HARNESS, WIRING

BLOWER HOUSING & BAFFLES 6-20-5

1	531 02 95-89	1	KIT,BLOWER HOUSING
2	531 02 95-34	4	SCREW, SHD THD FRM M6X1X26

NOT ILLUSTRATED

531 02 99-27	1	NAMEPLATE, SERVICE
--------------	---	--------------------

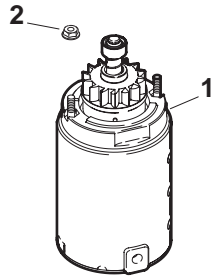
AIR INTAKE/FILTRATION 10-20-1

1	531 02 97-25	1	KIT, AIR CLEANER COVER (INCLUDES 2)
2	531 02 98-38	2	KNOB, COVER
3	531 02 95-01	1	ELEMENT, AIR CLEANER
4	531 02 96-29	1	KIT, AIR CLEANER BASE (INCLUDES 5,6)
5	531 02 96-00	1	GASKET, AIR CLEANER BASE
6	504 57 76-01	2	STUD, AIR CLEANER BASE

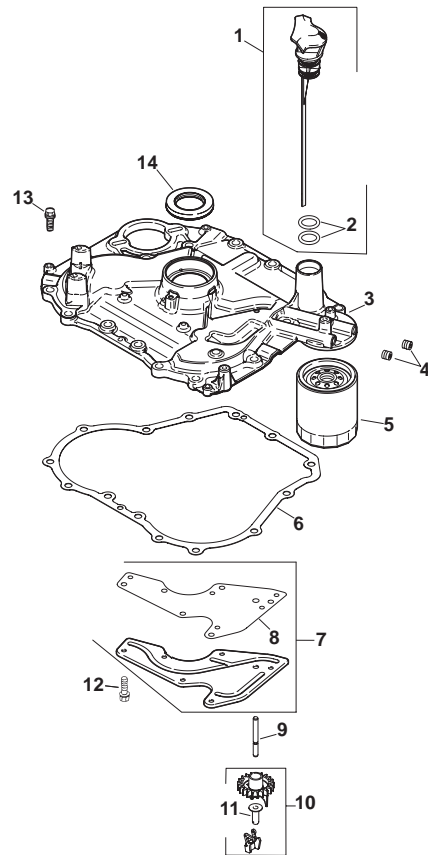
NOTE: All component dimensions given in U.S. inches
1 inch = 25.4 mm

KOHLER ENGINE - MODEL NO. SV530, TYPE NO. 0025

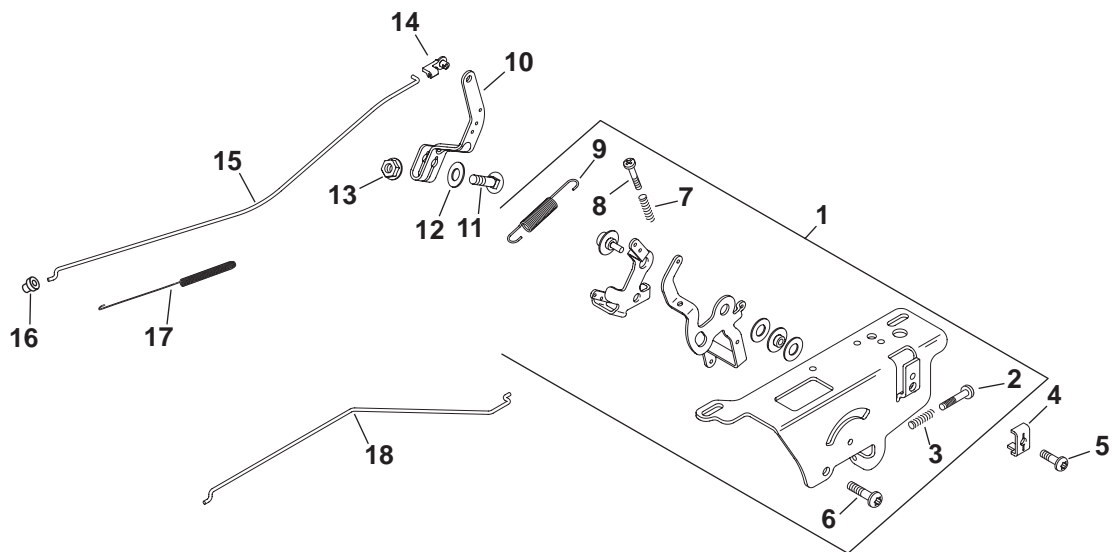
STARTING SYSTEM



OIL PAN/LUBRICATION



ENGINE CONTROLS



KOHLER ENGINE - MODEL NO. SV530, TYPE NO. 0025

STARTING SYSTEM 7-20-1

1	531 02 95-93	1	STARTER ASSEMBLY
2	531 02 95-94	2	NUT, FREE SPINNING FLG #10-24

NOT ILLUSTRATED

504 57 72-01	1	BRUSH, KIT
504 57 80-01	1	BOLT, THRU
504 57 82-01	1	CAP, DRIVE END (J.E.)
504 57 85-01	1	KIT, DRIVE (J.E.)

OIL PAN/LUBRICATION 3-20-8

1	531 02 95-40	1	KIT, DIPSTICK BLADE (INCLUDES 2)
2	531 02 95-41	2	O-RING
3	504 57 73-01	1	KIT, PLATE, CLOSURE BEARING (INCLUDES 4, 7-12,14)
4	531 02 95-43	2	PLUG, CTSK PIPE 1/8"
5	531 02 95-03	1	FILTER, OIL
6	531 02 95-44	1	GASKET, CLOSURE PLATE
7	531 02 95-45	1	KIT, OIL PASSAGE COVER (INCLUDES 8)
8	531 02 95-46	1	GASKET, OIL PASSAGE
9	531 02 95-47	1	SHAFT, GOVERNOR CROSS
10	531 02 95-48	1	KIT, GOVERNOR GEAR ASSY (INCLUDES 11)
11	531 02 95-49	1	PIN, GOVERNOR REGULATING
12	531 02 95-50	6	SCREW, FLG THD FRM M5X0.8X13
13	504 58 04-01	14	SCREW, FLG M8X1.25X30
14	531 02 95-14	1	SEAL, OIL

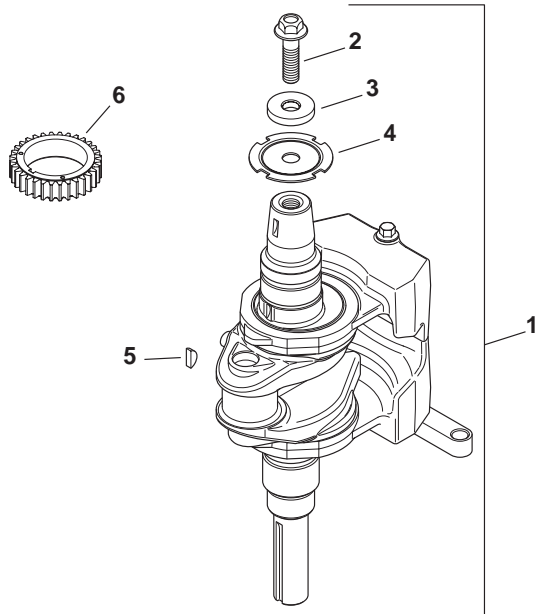
ENGINE CONTROLS 9-20-9

1	531 02 98-79	1	KIT, SPEED CONTROL ASSEMBLY (INCLUDES 2,3,6-9)
2	531 02 96-18	1	SCREW, PHL THD FRM M4X0.7X25
	531 02 98-94	1	SCREW, PHL THD FRM M4X0.7X38
3	531 02 96-17	1	SPRING, SPEED CONTROL (SHORT)
	531 02 98-95	1	SPRING, SPEED CONTROL (LONG)
4	531 02 96-13	1	CLAMP, CABLE
5	531 02 96-14	1	SCREW, LBD THD FRM M5x0.8x16
6	531 02 96-15	2	SCREW, LBD SKT M6x1.0x20
7	531 02 96-17	1	SPRING, SPEED CONTROL (SHORT)
8	531 02 96-18	1	SCREW, PHL THD FRM M4X0.7X25
9	531 02 96-23	1	SPRING, GOVERNOR
10	531 02 96-19	1	LEVER, GOVERNOR
11	531 02 96-20	1	BOLT, RD HD SQ NCK 1/4-20X1"
12	531 02 96-06	1	WASHER, INT TOOTH LOCK 1/4"
13	531 02 96-22	1	NUT, HEX FLG 1/4-20"
14	531 02 96-24	1	BUSHING, THROTTLE LINKAGE
15	531 02 96-25	1	LINKAGE, THROTTLE
16	531 02 96-26	1	BUSHING, LINKAGE RETAINING
17	531 02 98-96	1	SPRING, LINKAGE
18	531 02 96-16	1	LINKAGE, CHOKE

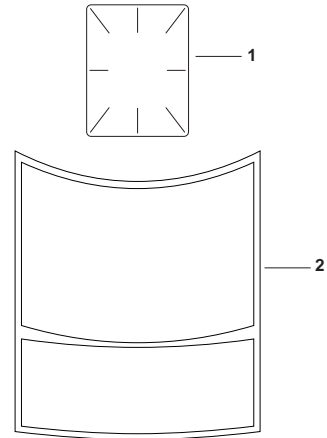
NOTE: All component dimensions given in U.S. inches
1 inch = 25.4 mm

KOHLER ENGINE - MODEL NO. SV530, TYPE NO. 0025

CRANKSHAFT

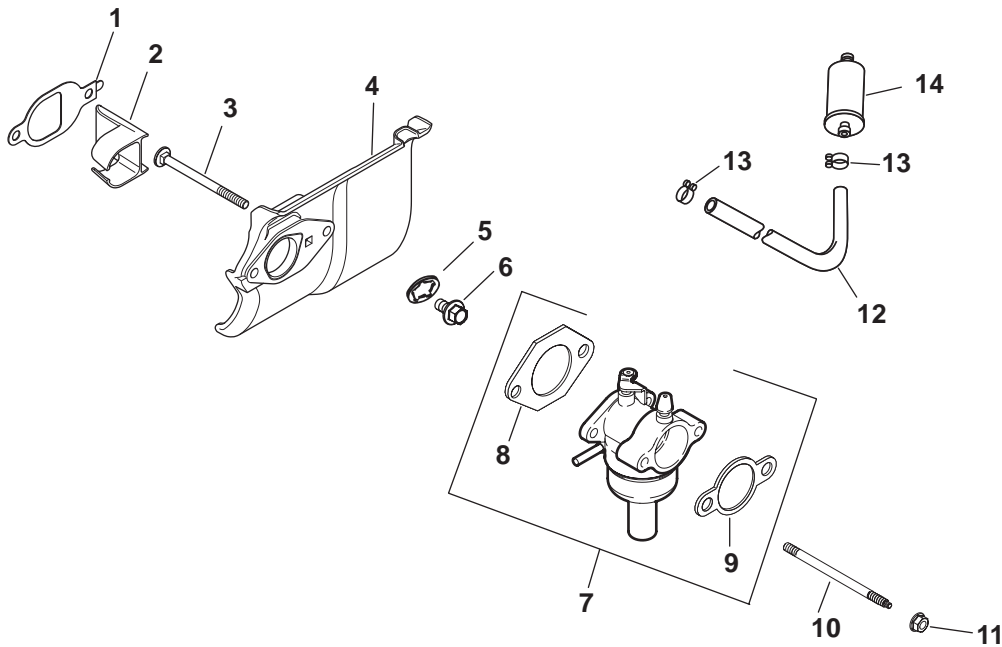


DECALS

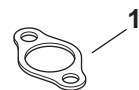


Artwork is representative.
Actual labels may differ depending on model and specification number.

FUEL SYSTEM



**PARTS
SHIPPED
UNINSTALLED**



KOHLER ENGINE - MODEL NO. SV530, TYPE NO. 0025

CRANKSHAFT 1-20-2

1	532 02 95-52	1	KIT, CRANKSHAFT (INCLUDES 2-4)
2	504 57 86-01	1	SCREW, HEX FLANGE
3	504 58 05-01	1	WASHER, FLAT
4	544 93 68-01	1	PLATE, FAN MOUNTING
5	531 02 95-11	1	KEY, 3/16" X 5/8"
6	531 02 95-12	1	GEAR, CRANKSHAFT

DECALS 12-20-3

1531 02 98-42	1	DECAL, CLEAR LAMI- NATE
2531 02 97-57	1	DECAL, 17HP

PARTS SHIPPED UNINSTALLED

1531 02 95-46	1	GASKET, EXHAUST
---------------	---	-----------------

FUEL SYSTEM 8-20-52

1	504 57 75-01	1	GASKET, HEAT DEFLECTOR
2	544 93 69-01	1	INSERT, INTAKE PORT
3	504 57 77-01	1	STUD, CARBURETOR
4	532 02 95-96	1	KIT, HEAT DEFLECTOR (INCLUDES 1-3, 9)
5	531 02 96-06	1	WASHER, INT TOOTH LOCK 1/4"
6	531 02 95-97	1	SCREW, FLG M6x1.0x20
7	531 02 99-41	1	KIT, CARBURETOR W/ GASKETS (INCLUDES 8, 9)
8	531 02 95-99	1	GASKET, CARBURETOR
9	531 02 96-00	1	GASKET, AIR CLEANER BASE
10	531 02 96-01	1	STUD, M6X1.0X100
11	531 02 96-02	2	NUT, FLG M6X1.0
12	531 02 99-87	1	LINE, FUEL (24"-CUT TO LENGTH)
13	531 02 96-04	2	CLAMP, SPRING HOSE 1/2"
14	531 02 95-02	1	FILTER, FUEL

NOT ILLUSTRATED

544 93 71-01	1	TIE
--------------	---	-----

NOTE: All component dimensions given in U.S. inches
1 inch = 25.4 mm