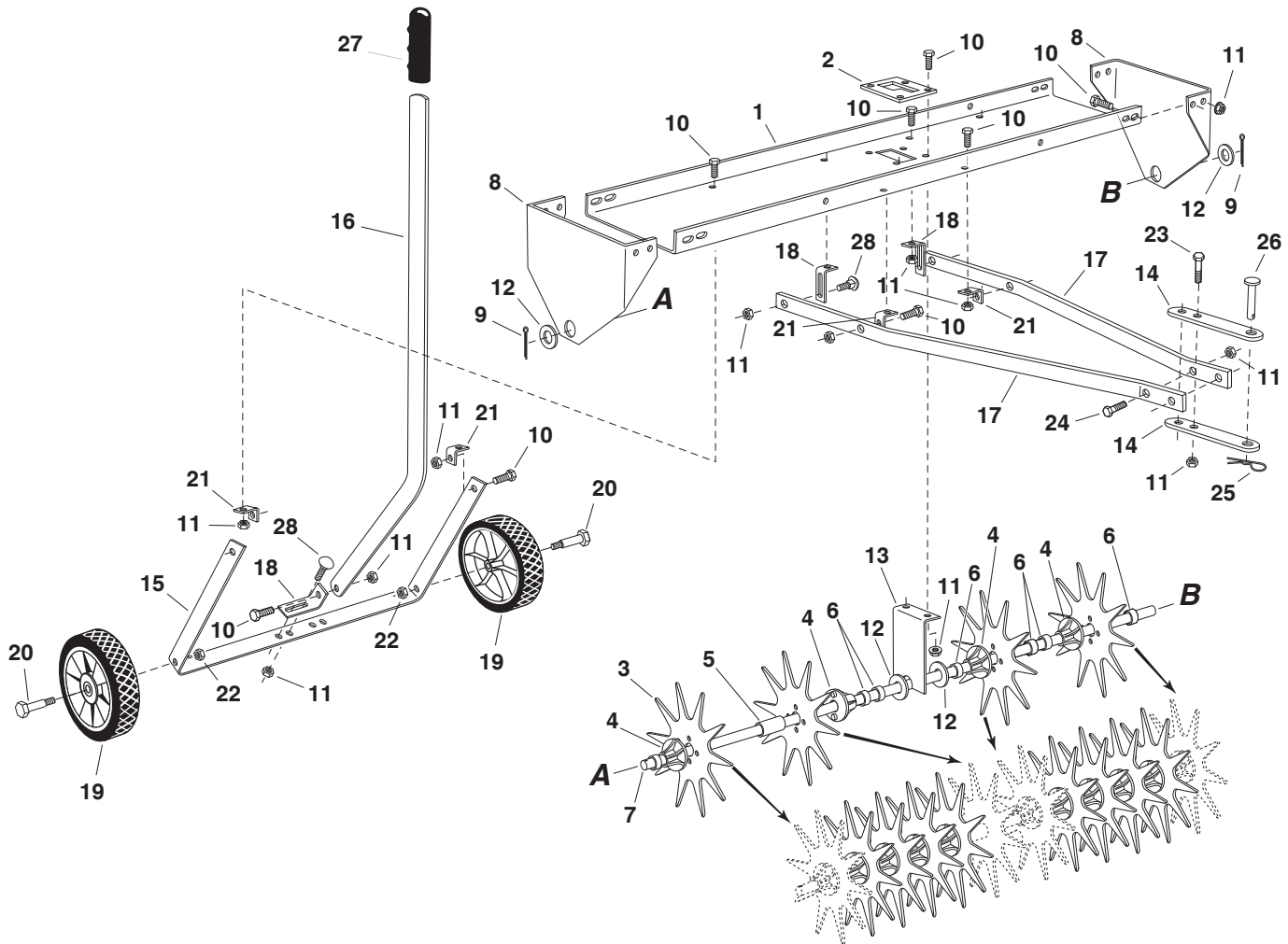


SPIKE AERATOR MODEL 964 99 57-03 REPAIR PARTS



KEY NO.	PART NO.	QTY.	DESCRIPTION	KEY NO.	PART NO.	QTY.	DESCRIPTION
1	5311 00 81-01	1	Tray	15	531 00 81-11	1	Bracket, Axle
2	531 00 81-02	1	Plate, Lift	16	531 00 81-12	1	Lift Handle
3	531 00 81-03	12	Disk, Spike	17	531 00 46-30	2	Arm, Hitch Mount
4	531 00 76-30	12	Hub, Spike Disk	18	531 00 46-31	3	Bracket, Hitch Arm Mount
5	504 06 08-01	9	Spacer, 2.13" Long	19	504 06 10-01	2	Wheel
6	504 06 09-01	10	Spacer, 1/2" Long	20	504 06 11-01	2	Bolt, Shoulder
7	531 00 81-06	1	Axle	21	531 00 81-15	4	Bracket, Angle
8	531 00 81-07	2	End Plate	22	501 33 27-01	2	Nut, Nylock 3/8-16
9	531 00 81-08	2	Cotter Pin, 9/64" x 1-1/2"	23	874 76 05-32	2	Bolt, Hex 5/16-18 x 2"
10	531 00 74-26	23	Bolt, Hex 5/16-18 x 1"	24	531 00 81-17	2	Bolt, Hex 5/16-18 x 1-1/4"
11	501 02 11-01	31	Nut, Nylock 5/16-18	25	721 68 02-51	1	Pin, Hair Cotter
12	531 00 27-01	10	Washer, Flat	26	531 00 81-18	1	Pin, Hitch 3/8" (Flat Head)
13	531 00 81-10	1	Bracket, Axle Support	27	506 62 64-01	1	Grip
14	531 00 46-42	2	Bracket, Hitch	28	522 77 02-01	4	Bolt, Carriage 5/16-18 x 1"