

iZ21

Spare parts

Ersatzteile

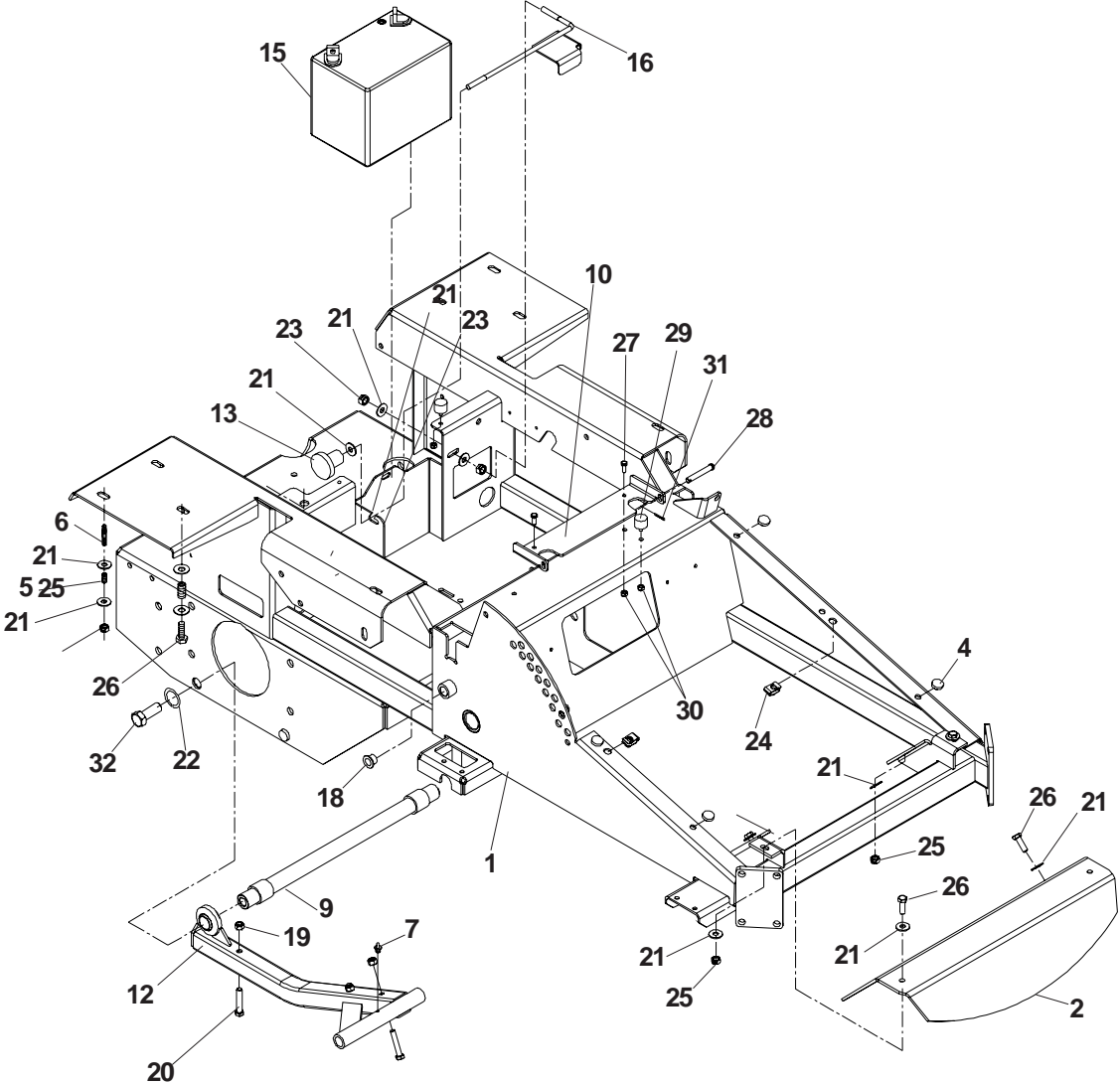
Pièces détachées

Reserve onderdelen

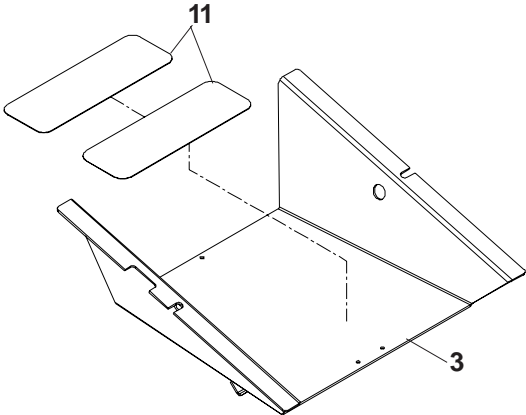
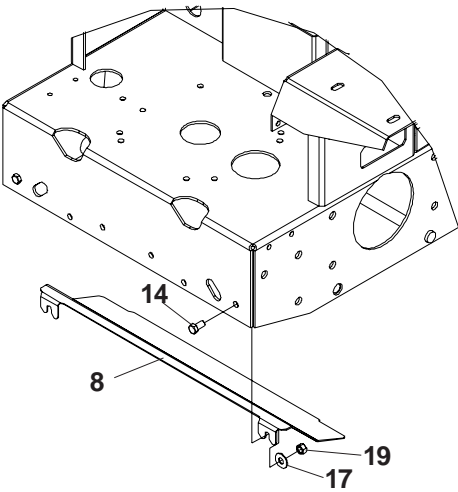
Repuestos

Reservdelar

CHASSIS/FRAME



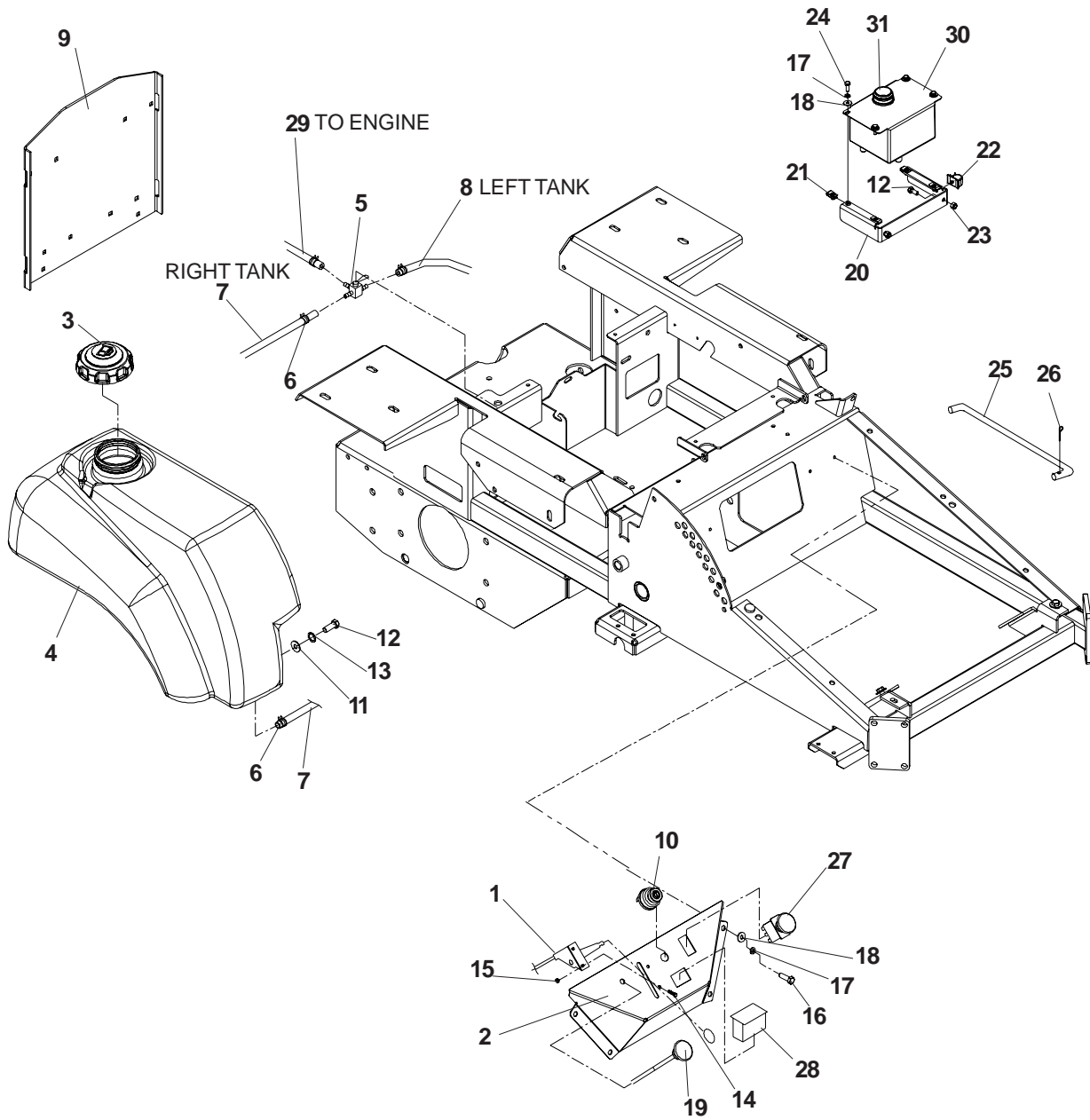
REAR OF MOWER



CHASSIS/FRAME

ITEM	PART NO.	QTY.	DESCRIPTION	ITEM	PART NO.	QTY.	DESCRIPTION
1....	539 110198	... 1...	FRAME W/DECALS	18...	539 102519	... 2...	BUSHING
2...	539 106941	... 1...	FOOT REST	19...	539 976979	. 11 ...	NUT, $\frac{3}{8}$ C, NYLOC
3....	539 111573	... 1...	FOOT PLATE W/DECAL	20...	539 990588	... 6...	HCS, $\frac{3}{8}$ C X 2
4...	539 102587	... 5...	BUMPER	21 ...	539 990692	... 4...	WASHER, $\frac{5}{16}$
5...	539 102845	... 8...	SPRING	22...	539 990333	... 2...	LOCKWASHER, $\frac{5}{8}$
6...	539 102502	... 6...	STUD	23...	539 990184	... 2...	LOCKNUT, $\frac{5}{16}$ C
7...	539 976998	... 2...	ZERK	24...	539 104763	... 2...	"U" CLIP, $\frac{5}{16}$ C
8....	539 112953	... 1...	REAR GUARD	25...	539 990717	. 10...	NUT, $\frac{5}{16}$ C, NYLOC
9...	539 104197	... 1...	STRUT MOUNT	26...	539 990209	... 6...	HCS, $\frac{5}{16}$ C X 1
10...	539 105224	... 1...	SEAT MOUNT W/DECAL	27 ...	539 990580	... 2...	HCS, $\frac{1}{4}$ C X $\frac{3}{4}$
11 ...	539 977778	... 3...	ANTI-SKID PAD	28....	539 110819	... 2...	CLEVIS PIN
12....	539 112647	... 1...	STRUT, RIGHT	29...	539 105039	... 4...	STUD MOUNTS
....	539 112646	... 1...	STRUT, LEFT (NOT SHOWN)	30...	539 976978	... 2...	NUT, $\frac{1}{4}$ C, NYLOC
13...	539 105169	... 1...	KNOB	31 ...	539 990365	... 2...	COTTER PIN
14...	539 990134	... 2...	HCS, $\frac{3}{8}$ -16 X $\frac{3}{4}$, GR5	32...	539 104199	... 2...	HCS, $\frac{5}{8}$ C X 2
15...	539 102436	... 1...	BATTERY, DRY				
16...	539 106899	... 1...	BATTERY HOLD DOWN				
17...	539 990517	... 2...	WASHER, $\frac{3}{8}$				

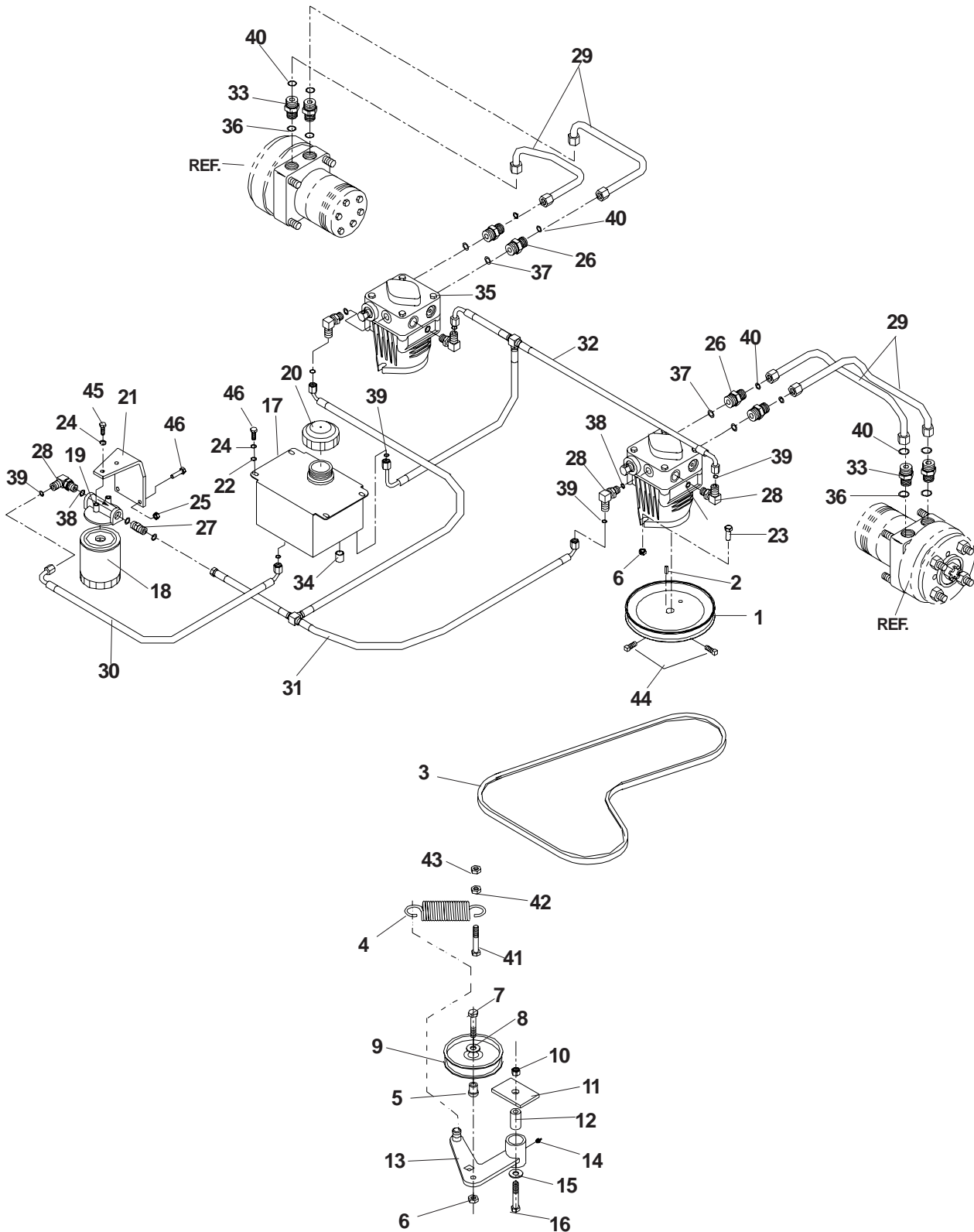
CHASSIS/FRAME



CHASSIS/FRAME

ITEM	PART NO.	QTY.	DESCRIPTION	ITEM	PART NO.	QTY.	DESCRIPTION
1...	539 103275	1...	THROTTLE CABLE	16...	539 990362	4...	TFS, ¼C X 5/8
2....	539 111147	1...	CONSOLE W/DECAL	17...	539 990052	8...	LOCKWASHER, ¼
3...	539 106188	2...	FUEL CAP	18...	539 990598	12...	WASHER, ¼
4...	539 104410	1...	FUEL TANK, RIGHT	19....	539 113458	1...	CHOKE CABLE
...	539 104409	1...	FUEL TANK, LEFT, (NOT SHOWN)	20....	539 110814	1...	TANK MOUNT
5...	539 102679	1...	FUEL VALVE	21....	539 110813	1...	"U" TYPE RETAINER, ¼C
6...	539 912222	6...	HOSE CLAMP	22....	539 110815	1...	PUSH MOUNT WIRE CLIP
7...	539 105527	1...	FUEL HOSE, 24"	23...	539 990717	4...	NUT, 5/16C, NYLOC
8...	539 105530	1...	FUEL HOSE, 34"	24...	539 990580	2...	HCS, ¼C X ¾
9...	539 106959	1...	ENGINE GUARD	25...	539 104525	1...	SEAT ROD
10...	539 107541	1...	IGNITION SWITCH	26...	539 990365	1...	PIN, COTTER, 1/8 X ¾
11...	539 990692	21...	WASHER, 5/16	27...	539 101768	1...	BLADE SWITCH
12...	539 976934	6...	HCS, 5/16C X ¾	28....	539 110074	1...	HOUR METER
13...	539 990187	2...	LOCKWASHER, 5/16	29...	539 105281	1...	FUEL HOSE, 29½"
14....	539 990411	2...	HCS, #10-24 X ½	30...	539 105024	1...	TANK, OIL
15...	539 976977	2...	NUT, #10-24, NYLOC	31...	539 101202	1...	CAP, HYDRAULIC

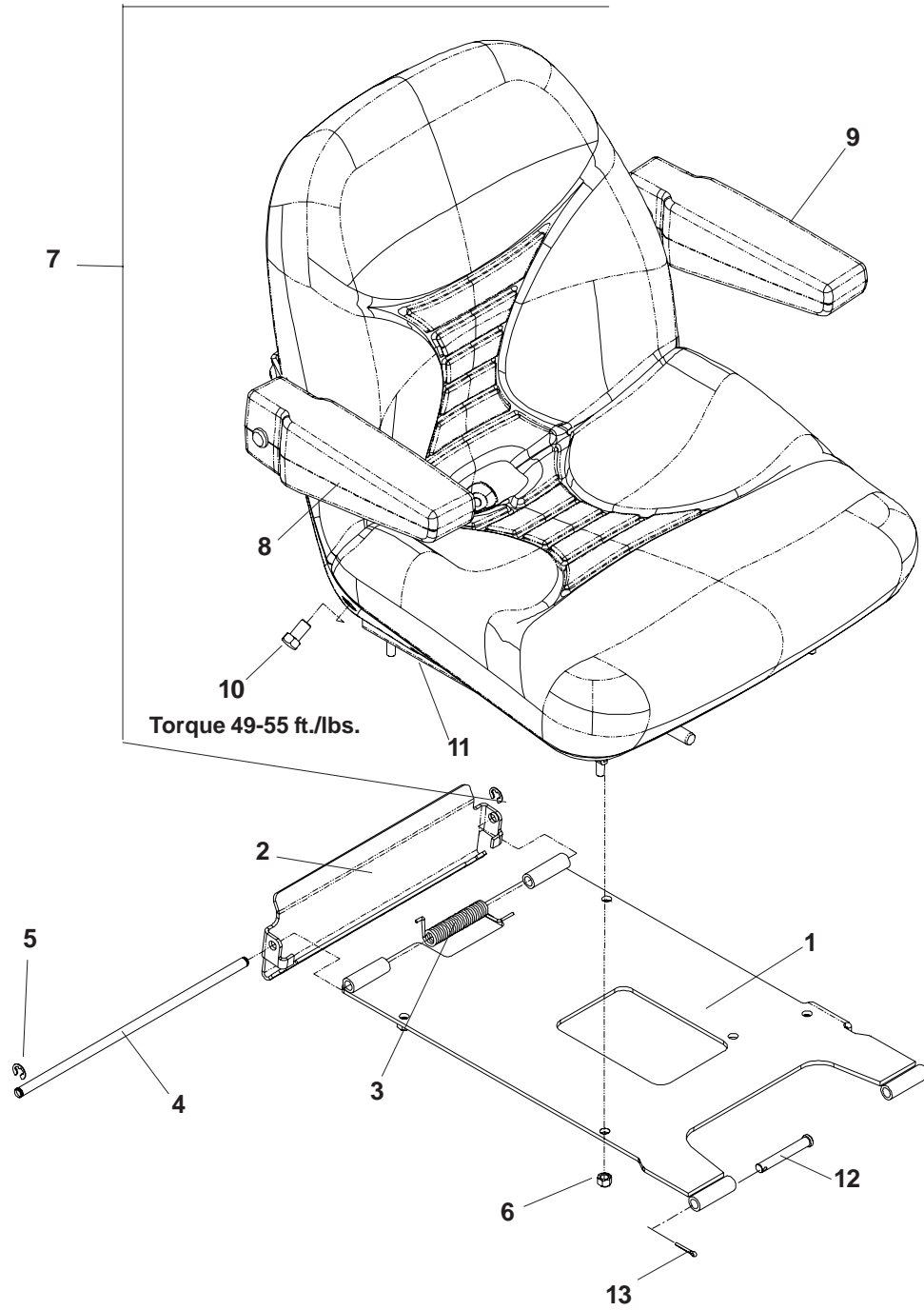
HYDRAULIC PUMP - MOTOR



HYDRAULIC PUMP - MOTOR

ITEM	PART NO.	QTY.	DESCRIPTION	ITEM	PART NO.	QTY.	DESCRIPTION
1...	539 101176	2...	PULLEY	25...	539 976978	2...	NUT, ¼C, NYLOC
2...	539 101177	2...	KEY 5MM SQ X 25MM	26...	539 101237	4...	F6400-8-8-0
3...	539 106887	1...	BELT, PUMP	27...	539 113782	1...	HYDRAULIC FITTING
4...	539 103256	1...	SPRING	28...	539 101238	5...	F6801-6-6-0
5...	539 976695	1...	IDLER FLANGE BUSHING	29...	539 106896	4...	HYDRAULIC LINE
6...	539 990546	5...	NUT, ⅜C, CENTERLOCK	30...	539 104722	1...	HOSE, 7"
7...	539 990730	1...	HCS, ⅜C X 1 ¼	31...	539 111814	1...	"T" ASSEMBLY
8...	539 990517	1...	WASHER, ⅜	32...	539 110837	1...	"T" ASSEMBLY
9...	539 976688	1...	IDLER PULLEY	33...	539 102396	4...	STRAIGHT FITTING
10...	539 101331	1...	NUT, ½C, NYLOC	34...	539 105168	1...	CAP
11...	539 102236	1...	SUPPORT PLATE	35...	539 112671	2...	PUMP W/RTN'S, 10CC
12...	539 103427	1...	PIVOT BUSHING	36...	539 103115	4...	O-RING
13...	539 104388	1...	IDLER ARM	37...	539 103116	4...	O-RING
14...	539 976998	1...	ZERK	38...	539 103117	6...	O-RING
15...	539 990550	1...	WASHER, ½	39...	539 103118	8...	O-RING
16...	539 103433	1...	HCS, ½C X 3¼, GR5	40...	539 103119	8...	O-RING
17...	539 105024	1...	OIL TANK	41...	539 990588	1...	HCS, ⅜C X 2
18...	539 102606	1...	FILTER	42...	539 990613	1...	NUT, ⅜C, WHIZ
19...	539 101165	1...	FILTER HEAD	43...	539 976979	1...	NUT, ⅜C, NYLOC
20...	539 101202	1...	HYDRAULIC CAP	44...	539 102717	4...	SCREW, ⅝C X ⅝, SET
21...	539 106933	1...	FILTER BRACKET	45...	539 990072	2...	HCS, ¼C X ⅝
22...	539 990598	8...	WASHER, ¼	46...	539 990580	4...	HCS, ¼C X ¾
23...	539 990582	4...	HFCS, ⅜C X 1				
24...	539 990052	2...	LOCKWASHER, ¼				

SEAT

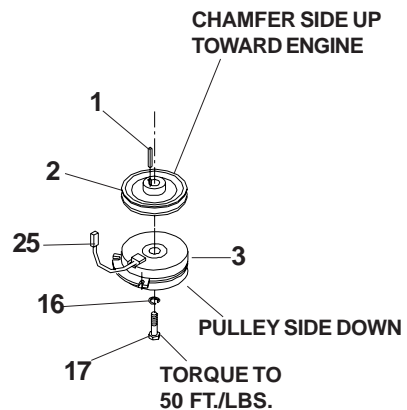
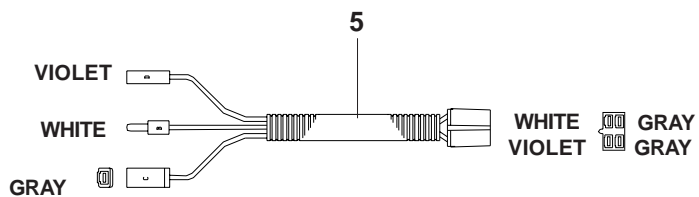
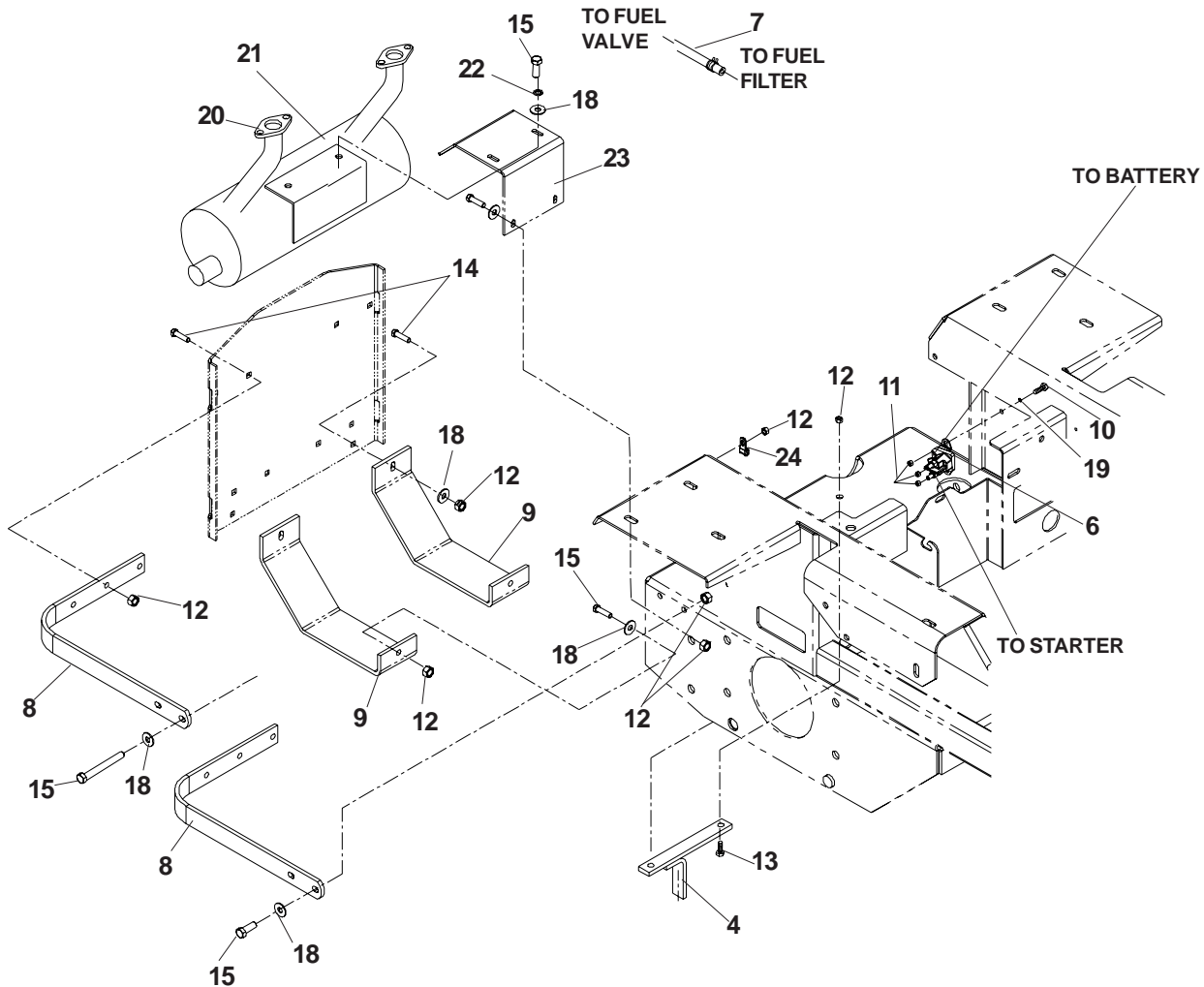


SEAT

ITEM	PART NO.	QTY.	DESCRIPTION
1....	539 110816	... 1...	SEAT MOUNT
2....	539 110644	... 1...	SEAT LATCH
3....	539 110645	... 1...	SPRING TORSION
4....	539 110646	... 1...	SEAT LATCH ROD
5...	539 990870	... 2...	RETAINING RING
6...	539 990717	... 4...	NUT, $\frac{5}{16}$ -18, NYLOC
7....	539 111946	... 1...	SEAT
8....	539 112035	... 1...	SEAT ARM, RIGHT
9....	539 112036	... 1...	SEAT ARM, LEFT
10....	539 112034	... 2...	HCS, $\frac{7}{16}$ -20 X $\frac{3}{4}$
11....	539 112037	... 1...	TRACK ADJUSTMENT KIT
12....	539 110819	... 2...	CLEVIS PIN
13...	539 990365	... 5...	PIN, COTTER, $\frac{1}{8}$ X $\frac{3}{4}$
	... 539 108745	... 1...	SWITCH/SNAP MOUNT KIT (NOT SHOWN)

ENGINE

KAWASAKI 21 HP

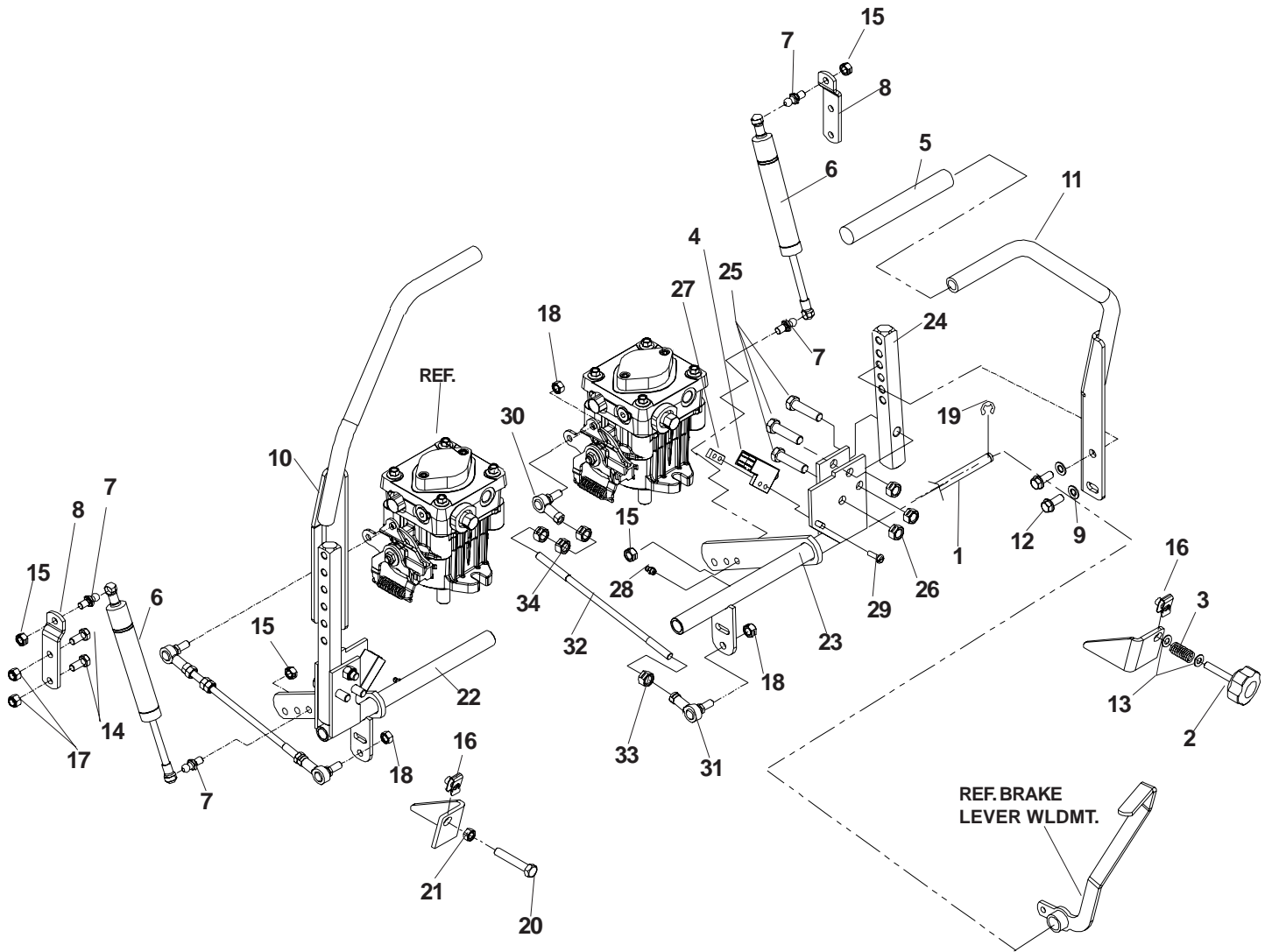


ENGINE

KAWASAKI 21 HP

ITEM	PART NO.	QTY.	DESCRIPTION	ITEM	PART NO.	QTY.	DESCRIPTION
1...	539 912757	1...	KEY ¼ SQ. X 1 ¼	15...	539 990209	12...	HCS, 5/16C X 1
2...	539 106992	1...	PULLEY	16...	539 990247	1...	LOCKWASHER, 7/16
3...	539 106880	1...	CLUTCH	17....	539 991120	1...	HCS, 7/16F X 2 ½
4...	539 106819	1...	CLUTCH TIE DOWN	18...	539 990692	14...	WASHER, 5/16
5...	539 104415	1...	KAWASAKI PIGTAIL	19...	539 990053	2...	LOCKWASHER, ¼
6...	539 101714	1...	SOLENOID	20...	539 108199	2...	GASKET, EXHAUST
7...	539 105281	1...	FUEL HOSE, 29 ½"	21...	539 105897	1...	MUFFLER, KAWASAKI
8...	539 106961	4...	STRAP	22...	539 990187	2...	LOCKWASHER, 5/16
9...	539 106957	2...	SKID PLATE	23....	539 111093	1...	MUFFLER BRACKET
10...	539 990072	2...	HCS, ¼C X 5/8	24...	539 109867	1...	TUBE CLAMP, DOUBLE
11...	539 976978	5...	NUT, ¼C, NYLOC	25...	539 105637	1...	WIRE HARNESS
12...	539 990717	22...	NUT, 5/16C, NYLOC	...	539 102757	1...	CABLE, POSITIVE (NOT SHOWN)
13...	539 990669	4...	HCS, 5/16C X 1 ¾	...	539 102759	2...	INSULATOR (NOT SHOWN)
14...	539 107271	10...	STRAP, ENGINE GUARD	...	539 976856	1...	TIE, PLASTIC (NOT SHOWN)

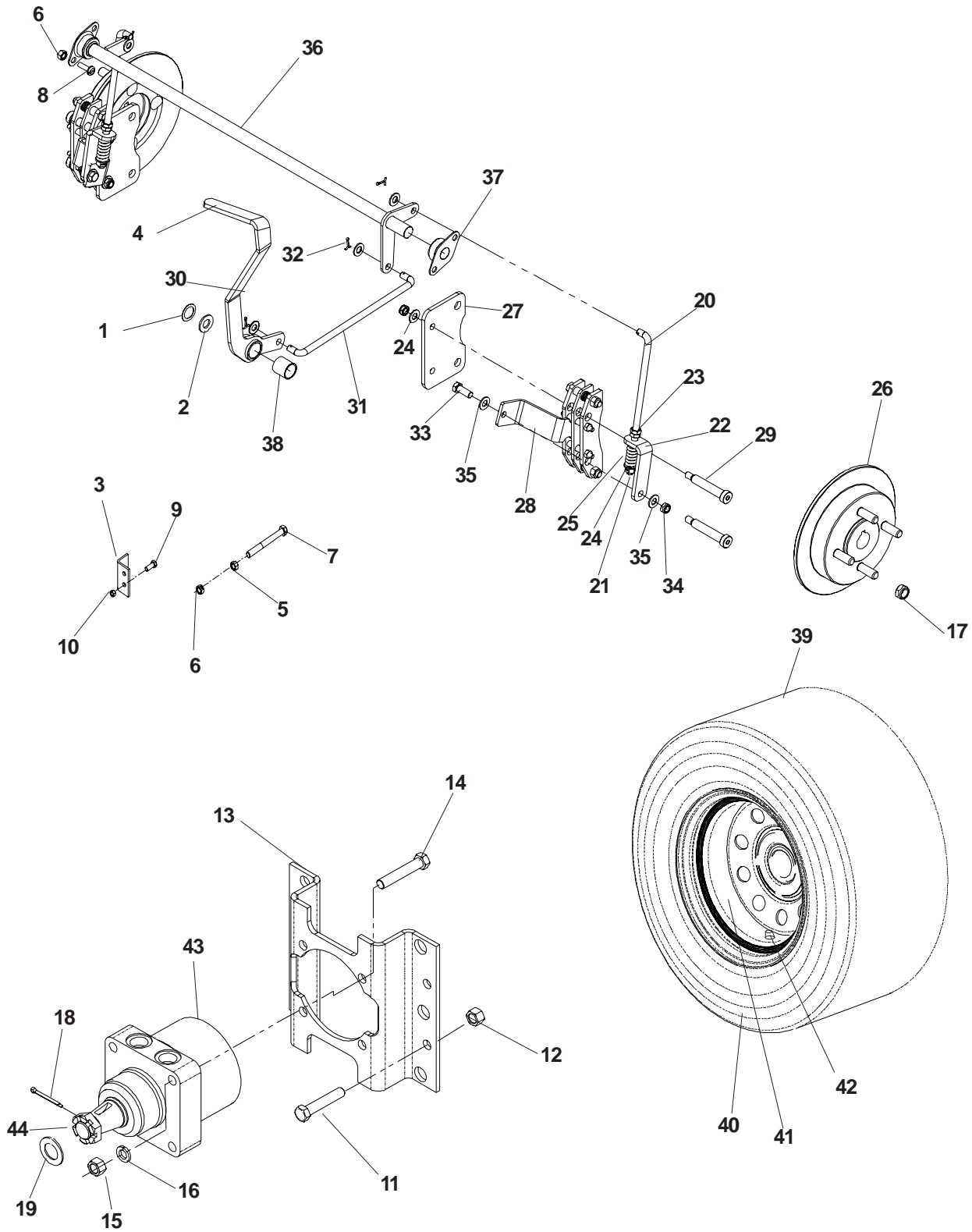
STEERING



STEERING

ITEM	PART NO.	QTY.	DESCRIPTION	ITEM	PART NO.	QTY.	DESCRIPTION
1...	539 108659	...	CONTROL SHAFT	18....	539 110943	...	4... NUT, $\frac{5}{16}$ F, NYLOC
2...	539 103003	...	TRACKING KNOB	19...	539 101949	...	2... E-RING, $\frac{1}{2}$
3....	539 111039	...	SPRING	20...	539 108394	...	2... HCS, $\frac{5}{16}$ -18 X $1\frac{3}{4}$, TPBLT
4...	539 101080	...	INTERLOCK SWITCH	21...	539 990196	...	1... NUT, $\frac{5}{16}$ C
5...	539 102592	...	GRIP	22....	539 111030	...	1... DRIVE CONTROL, RIGHT
6....	539 110606	...	DAMPENER	23....	539 111031	...	1... DRIVE CONTROL, LEFT
7....	539 110607	...	BALL STUD	24....	539 110638	...	1... ARM CONTROL SHAFT
8....	539 110811	...	DAMPENER ARM	25...	539 990730	...	3... HCS, $\frac{3}{8}$ -16 X $1\frac{3}{4}$, GR5
9...	539 102593	...	WASHER, $\frac{3}{8}$, SPRING	26...	539 976979	...	3... NUT, $\frac{3}{8}$ -16, NYLOC
10....	539 110826	...	DRIVE LEVER, RIGHT	27...	539 102678	...	1... TAPPED PLATE
11....	539 110827	...	DRIVE LEVER, LEFT	28...	539 976998	...	1... ZERK
12...	539 990563	...	HCS, $\frac{3}{8}$ C X 1	29...	539 976952	...	2... SCREW, #10-24 X $\frac{5}{8}$
13...	539 990692	...	WASHER, $\frac{5}{16}$	30....	539 110603	...	1... ROD END, RIGHT
14...	539 976934	...	HCS, $\frac{5}{16}$ C X $\frac{3}{4}$	31....	539 110604	...	1... ROD END, LEFT
15...	539 990184	...	LOCKNUT, $\frac{5}{16}$ C	32...	539 103264	...	1... LINKAGE
16...	539 104763	...	"U" CLIP, $\frac{5}{16}$ C	33...	539 991073	...	1... NUT, $\frac{5}{16}$ F, JAM, LH
17...	539 990717	...	NUT, $\frac{5}{16}$ C, NYLOC	34...	539 990223	...	3... NUT, $\frac{5}{16}$ F

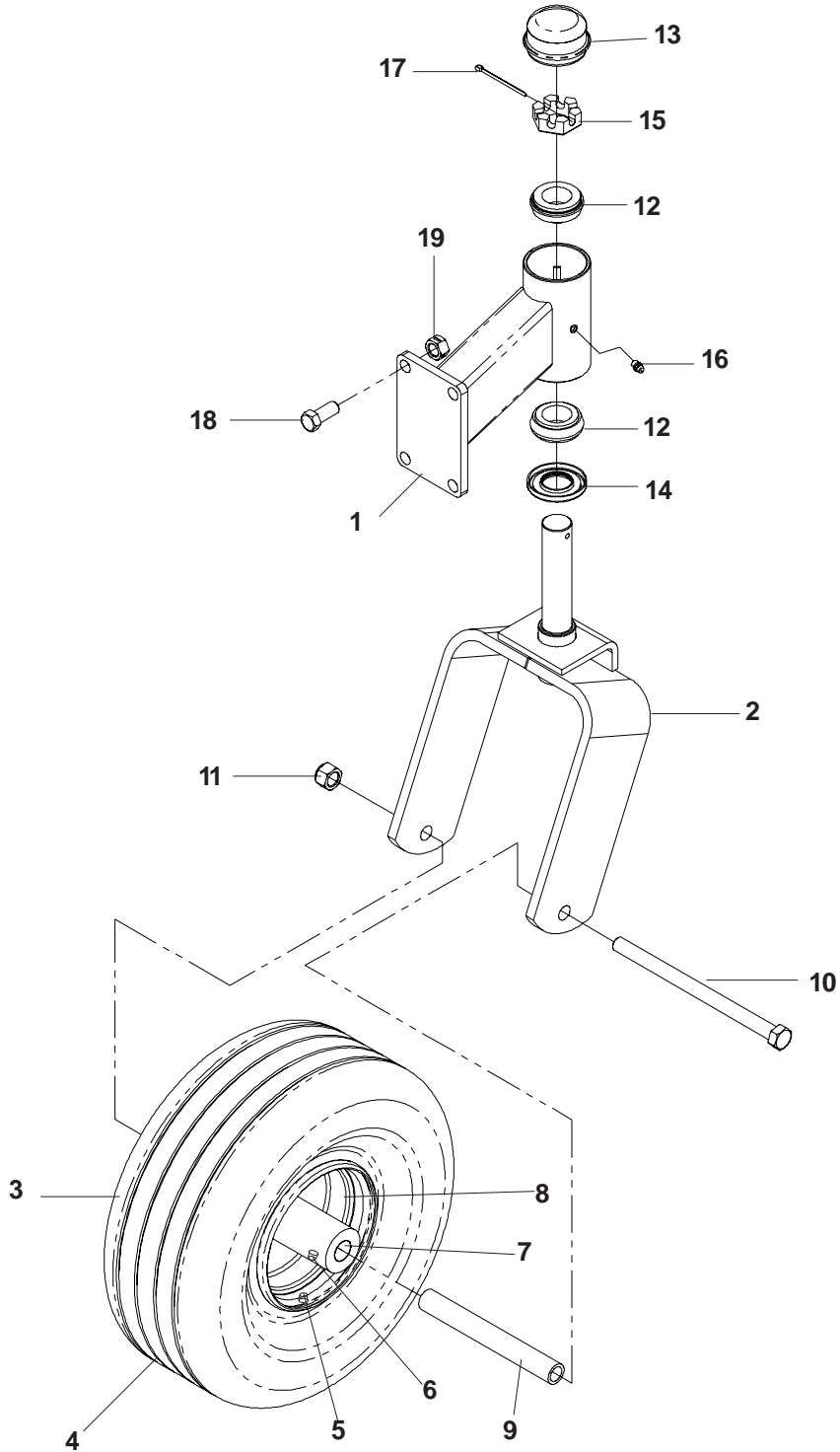
PARK BRAKE



PARK BRAKE

ITEM	PART NO.	QTY.	DESCRIPTION	ITEM	PART NO.	QTY.	DESCRIPTION
1....	539 101151	...	RETAINING RING, $\frac{7}{8}$	23...	539 108732	...	NUT, $\frac{3}{8}$ -24, JAM
2...	539 923787	...	BUSHING, MACHINE	24...	539 990122	...	WASHER, $\frac{3}{8}$, SAE
3...	539 105029	...	BRACKET	25....	539 113952	...	SPRING
4...	539 105036	...	GRIP	26....	539 113945	...	HUB
5...	539 990613	...	NUT, $\frac{3}{8}$ C, WHIZ	27....	539 113948	...	PLATE, BRAKE
6...	539 976979	...	NUT, $\frac{3}{8}$ C, NYLOC	28....	539 113944	...	CALIPER
7...	539 990637	...	HCS, $\frac{3}{8}$ C X 2 $\frac{1}{2}$	29....	539 113951	...	SB, $\frac{3}{8}$ -16 X 2 $\frac{1}{2}$, SKT
8...	539 990563	...	HCS, $\frac{3}{8}$ C X 1	30...	539 108616	...	BRAKE LEVER
9...	539 990580	...	HCS, $\frac{1}{4}$ C X $\frac{3}{4}$	31....	539 113954	...	LINKAGE, BRAKE
10...	539 976978	...	NUT, $\frac{1}{4}$ C, NYLOC	32...	539 990037	...	PIN COTTER, $\frac{3}{32}$ X $\frac{3}{4}$
11...	539 990622	...	HFCS, $\frac{1}{2}$ C X 1 $\frac{1}{4}$	33...	539 990563	...	HCS, $\frac{3}{8}$ -16 X 1, GR5
12...	539 101331	...	NUT, $\frac{1}{2}$ C, NYLOC	34...	539 200282	...	NUT, $\frac{3}{8}$ -16 JAM, NYLOC
13...	539 106989	...	MOTOR STANDOFF	35...	539 990122	...	12... WASHER, $\frac{3}{8}$, SAE
14...	539 101332	...	HCS, $\frac{1}{2}$ -13 X 2 $\frac{3}{4}$, GR5	36...	539 106969	...	BRAKE CROSS SHAFT
15...	539 990258	...	NUT, $\frac{1}{2}$ -13	37...	539 102797	...	2... BEARING, FLANGED
16...	539 990254	...	LOCKWASHER, $\frac{1}{2}$	38...	539 108619	...	1... BUSHING
17....	539 101173	...	8... NUT, $\frac{1}{2}$, LUG	39....	539 112592	...	2... TIRE (COMPLETE)
18...	539 104288	...	2... COTTER PIN	40....	539 112599	...	1... TIRE
19...	539 916561	...	2... BUSHING, 1", MACHINE	41...	539 107392	...	1... RIM
20....	539 113955	...	1... LINKAGE, REAR BRAKE	42...	539 912234	...	1... VALVE STEM
21...	539 990289	...	1... NUT, $\frac{3}{8}$ -24, CTR LK, GR5	43....	539 112671	...	2... WHEEL MOTOR
22....	539 113950	...	1... L BRACKET	44...	539 101468	...	2... HEX SLOTTED NUT

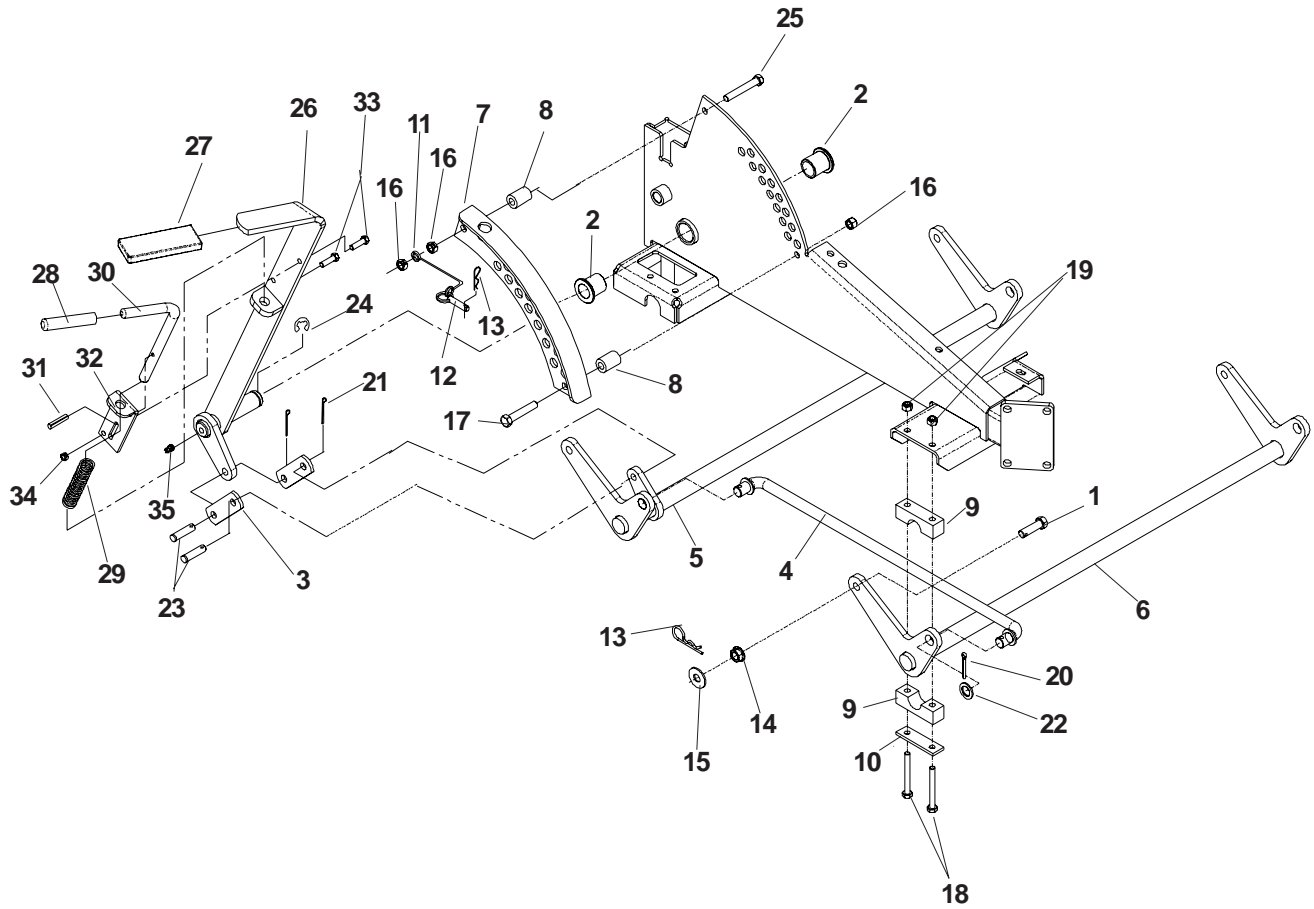
CASTERS



CASTERS

ITEM	PART NO.	QTY.	DESCRIPTION
1...	539 106986	1	CASTER ARM
2...	539 104571	1	CASTER YOKE
3...	539 104572	1	TIRE (COMPLETE)
4...	539 102546	1	TIRE
5...	539 912234	1	VALVE STEM
6...	539 976997	1	ZERK
7...	539 102484	2	END CAPS
8...	539 104573	1	RIM
9...	539 102856	1	SPACER
10...	539 102855	1	HCS, 1/2-13 X 7 1/2, GR5
11...	539 101331	1	NUT, 1/2-13, NYLOC
12...	539 102543	2	BEARING
13...	539 102535	1	GREASE CAP
14...	539 102851	1	SEAL
15...	539 102852	1	NUT, 1"-14, JAM
16...	539 101474	1	ZERK
17...	539 102889	1	COTTER PIN 1/8 X 2
18...	539 100143	4	HCS, 7/16-14 X 1, GR5
19...	539 990839	4	NUT, 7/16-14, CTRLK, GRA

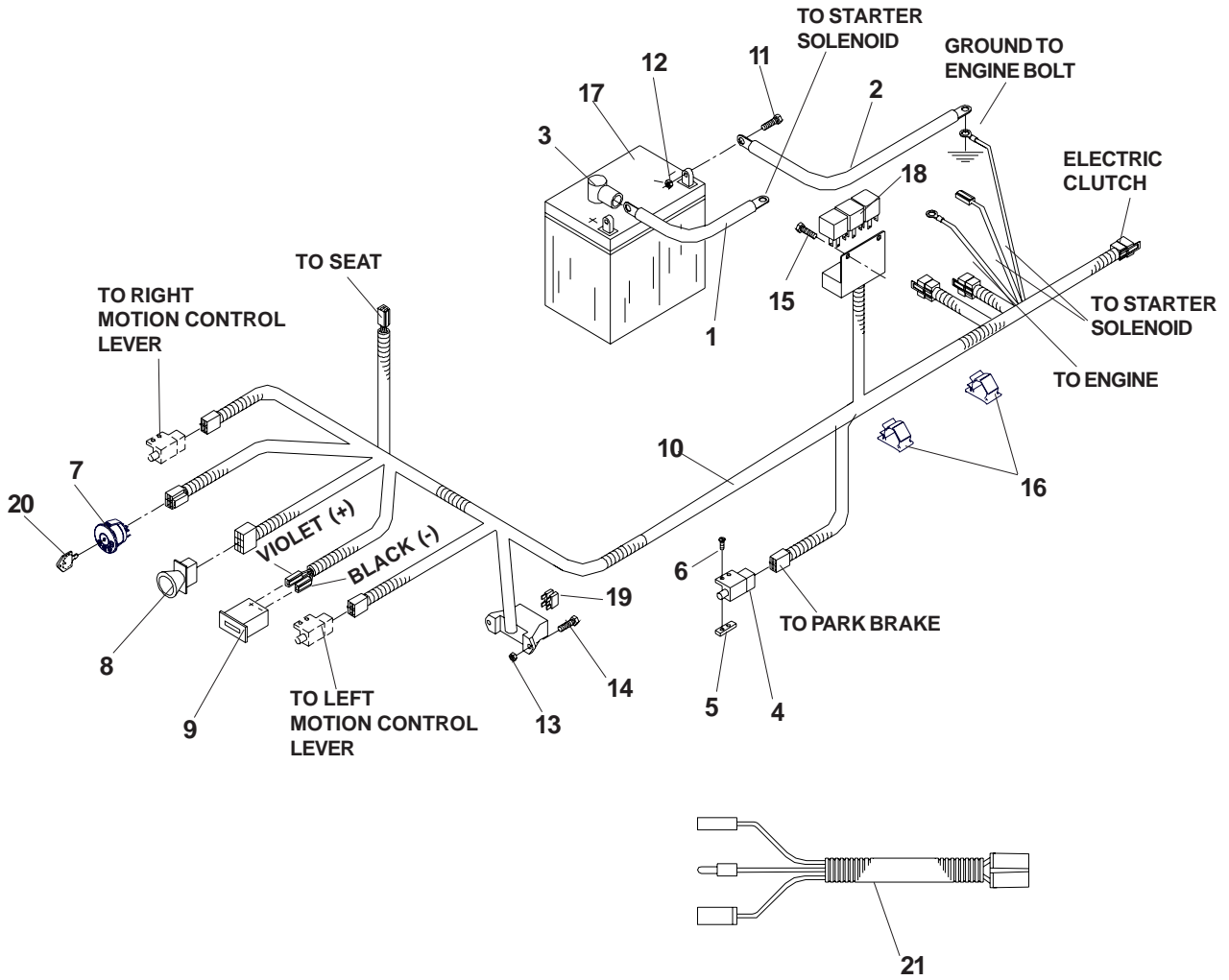
MOWER LIFT/DECK LIFT



MOWER LIFT/DECK LIFT

ITEM	PART NO.	QTY.	DESCRIPTION	ITEM	PART NO.	QTY.	DESCRIPTION
1	539 112520	4	HCS, $\frac{7}{16}$ -14 X 1 $\frac{1}{2}$, GR5, SPEC	19	539 990717	8	NUT, $\frac{5}{16}$ C, NYLOC
2	539 101232	2	BUSHING, FLANGE	20	539 990654	4	COTTER PIN
3	539 102565	2	LIFT ARM	21	539 990365	2	COTTER PIN
4	539 110808	2	DECK LIFT LINK	22	539 991043	4	BUSHING, $\frac{5}{8}$, MACHINE
5	539 109955	1	LIFT SHAFT, REAR	23	539 977703	2	CLEVIS PIN $\frac{3}{8}$ X 1 $\frac{1}{8}$
6	539 109956	1	LIFT SHAFT, FRONT	24	539 101802	1	E-RING, $\frac{7}{8}$
7	539 110803	1	ADJUSTMENT PLATE	25	539 102612	1	HCS, $\frac{3}{8}$ C X 2 $\frac{3}{4}$
8	539 104530	2	DECK LIFT SPACER	26	539 109961	1	LIFT LEVER
9	539 104808	8	PILLOW BLOCKS	27	539 102515	1	HANDLE CUSHION
10	539 104807	4	SUPPORT PLATE	28	539 101050	1	VINYL GRIP
11	539 105059	1	LANYARD	29	539 101058	1	SPRING, COMPRESSION
12	539 102526	1	HITCH PIN	30	539 103533	1	PIN
13	539 976989	5	HAIR PIN #4	31	539 106532	1	GROOVED PIN
14	539 102582	4	NUT, $\frac{7}{16}$ -14, WHZLK	32	539 103534	1	PIN MOUNT, UPPER
15	539 104864	4	WASHER, $\frac{7}{16}$	33	539 990580	2	HCS, $\frac{1}{4}$ -20 X $\frac{3}{4}$, GR5
16	539 976979	3	NUT, $\frac{3}{8}$ C, NYLOC	34	539 990761	2	NUT, $\frac{1}{4}$ -20, CTRLK
17	539 990637	1	HCS, $\frac{3}{8}$ C X 2 $\frac{1}{2}$	35	539 101474	1	ZERK
18	539 101721	8	HCS, $\frac{5}{16}$ C X 2 $\frac{3}{4}$				

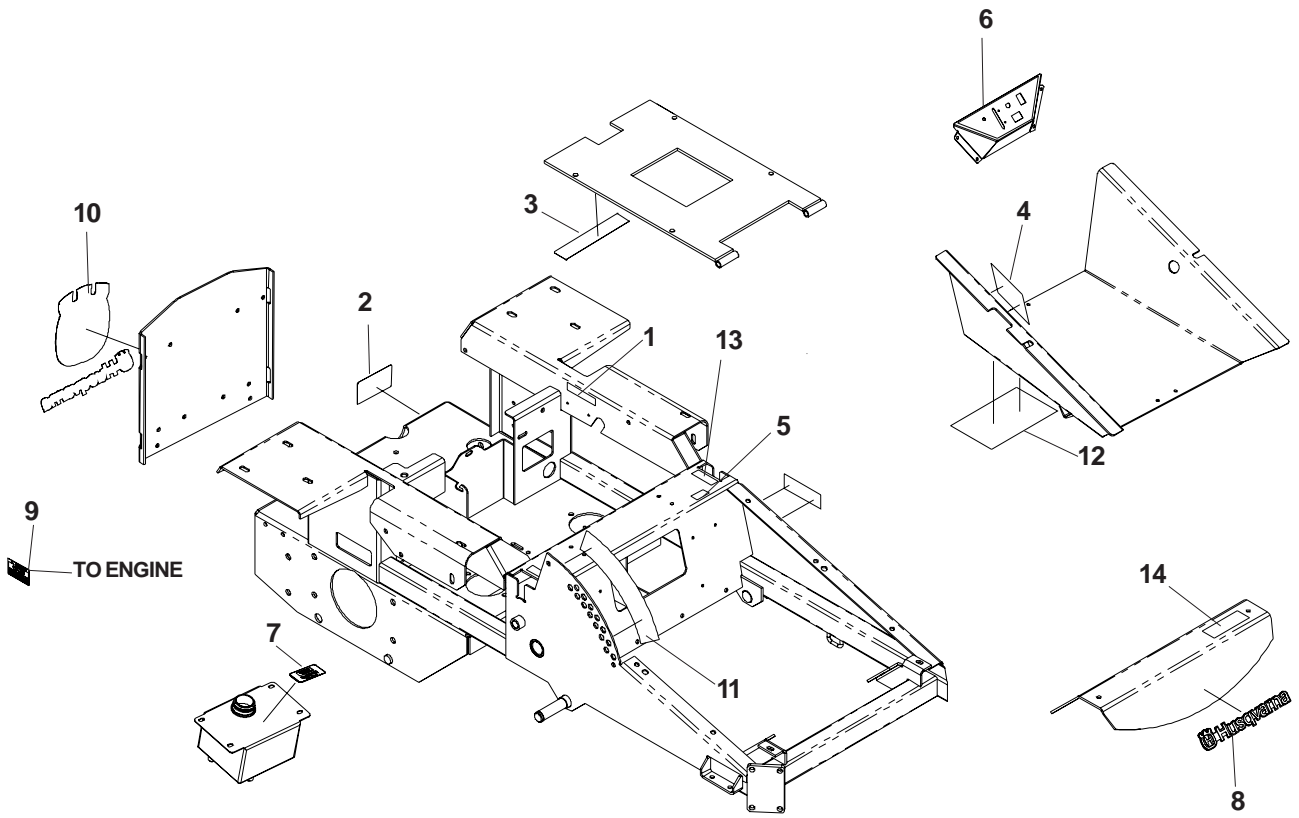
ELECTRICAL



ELECTRICAL

ITEM	PART NO.	QTY.	DESCRIPTION
1...	539 103306	1 ...	CABLE, POSITIVE
2...	539 102758	1 ...	CABLE, NEGATIVE
3...	539 102759	2...	INSULATOR
4...	539 101080	3...	INTERLOCK SWITCH
5...	539 102678	1 ...	TAPPED PLATE
6...	539 976952	2...	BOLT, #10-24 X $\frac{5}{8}$
7...	539 107541	1 ...	IGNITION SWITCH
8...	539 101768	1 ...	BLADE SWITCH
9....	539 110074	1 ...	HOUR METER
10....	539 110950	1 ...	FRAME HARNESS
11 ...	539 976934	2...	HCS, $\frac{5}{16}$ C X $\frac{3}{4}$
12... 539 990717	2...	NUT, $\frac{5}{16}$ C, NYLOC	
13... 539 976977	2...	NUT, #10-24, NYLOC	
14... 539 102617	2...	SCREW, #10-24 X $\frac{7}{8}$	
15... 539 991034	2...	SCREW, #10-24 X $\frac{5}{8}$, SELF TAP	
16.... 539 110815	2...	PUSH MOUNT WIRE CLIP	
17... 539 102436	1 ...	BATTERY, DRY	
18... 539 102914	3...	RELAY	
19... 539 101771	1 ...	FUSE, 7.5 AMP	
20... 539 107544	1 ...	KEY, IGNITION, PADDED	
21... 539 104415	1 ...	PIGTAIL, KAWASAKI	
.... 539 102115	1 ...	WIRE TIE, 15" (NOT SHOWN)	

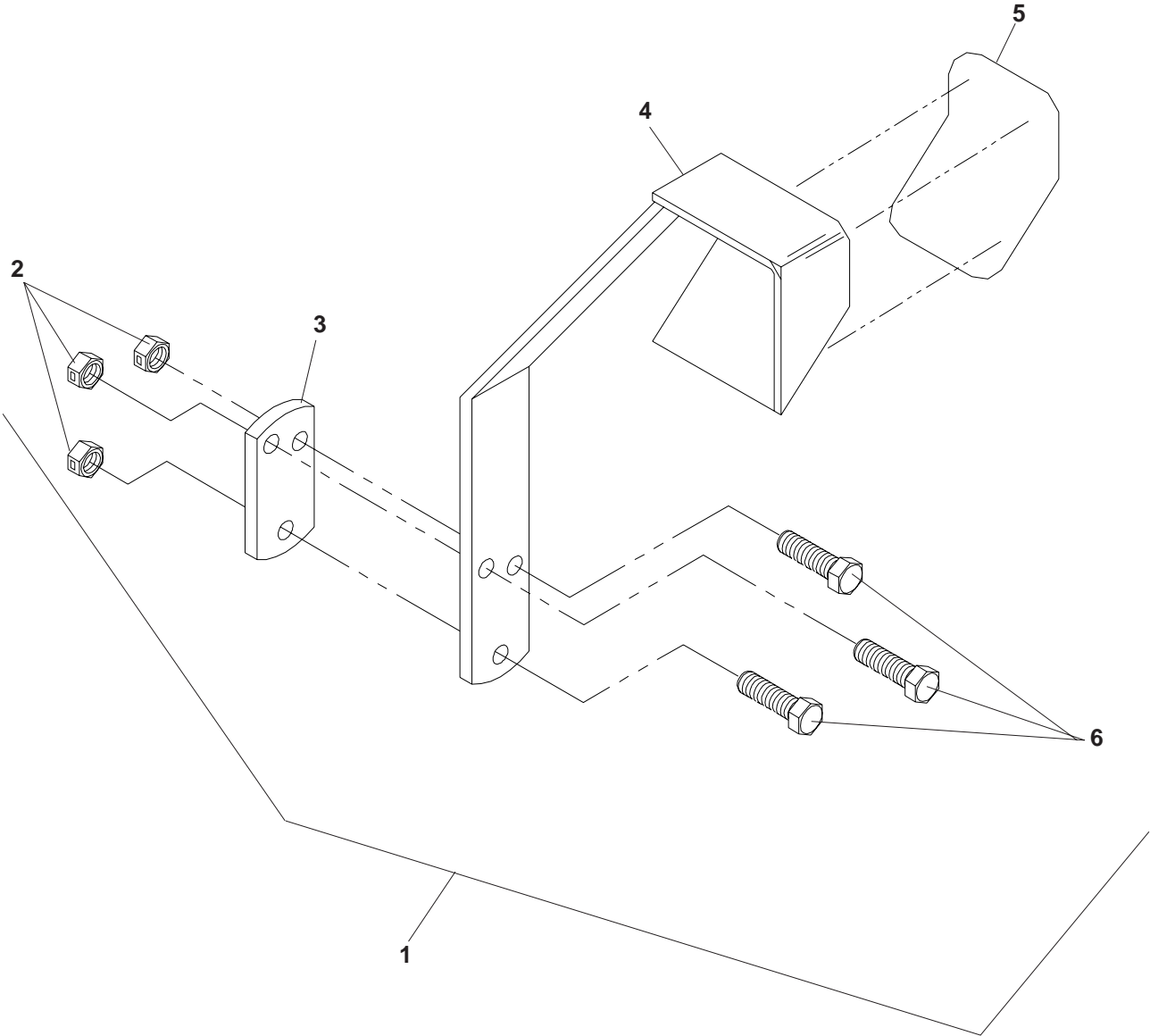
DECALS



DECALS

ITEM	PART NO.	QTY.	DESCRIPTION	ITEM	PART NO.	QTY.	DESCRIPTION
1....	539 111597	...	DECAL, RELAYS	12...	539 107289	...	DECAL, SERVICE
2...	539 105744	...	DECAL, BELT DRIVES	13...	539 103333	...	DECAL, MOTION CONTROL
3...	539 105745	...	DECAL, BATTERY WRNING	14....	539 112976	...	DECAL, CE 968999306
4....	539 111575	...	DECAL, WARNING	...	539 102670	...	DECAL, FUEL (NOT SHOWN)
5....	539 110974	...	DECAL, TRACKING	...	539 102670	...	DECAL, FUEL VALVE (NOT SHOWN)
6....	539 110956	...	DECAL, CONSOLE	...	539 109909	...	DECAL, SEAT (NOT SHOWN)
7....	539 114832	...	DECAL, OIL TANK	539 112518	...	DECAL, iZ21 (NOT SHOWN)
8....	539 111047	...	DECAL, HUSQVARNA				
9...	539 100128	...	DECAL, EXHAUST				
10....	539 111055	...	DECAL, CROWN				
11....	539 112606	...	DECAL, HEIGHT, iZE				

PEDALS



PEDALS

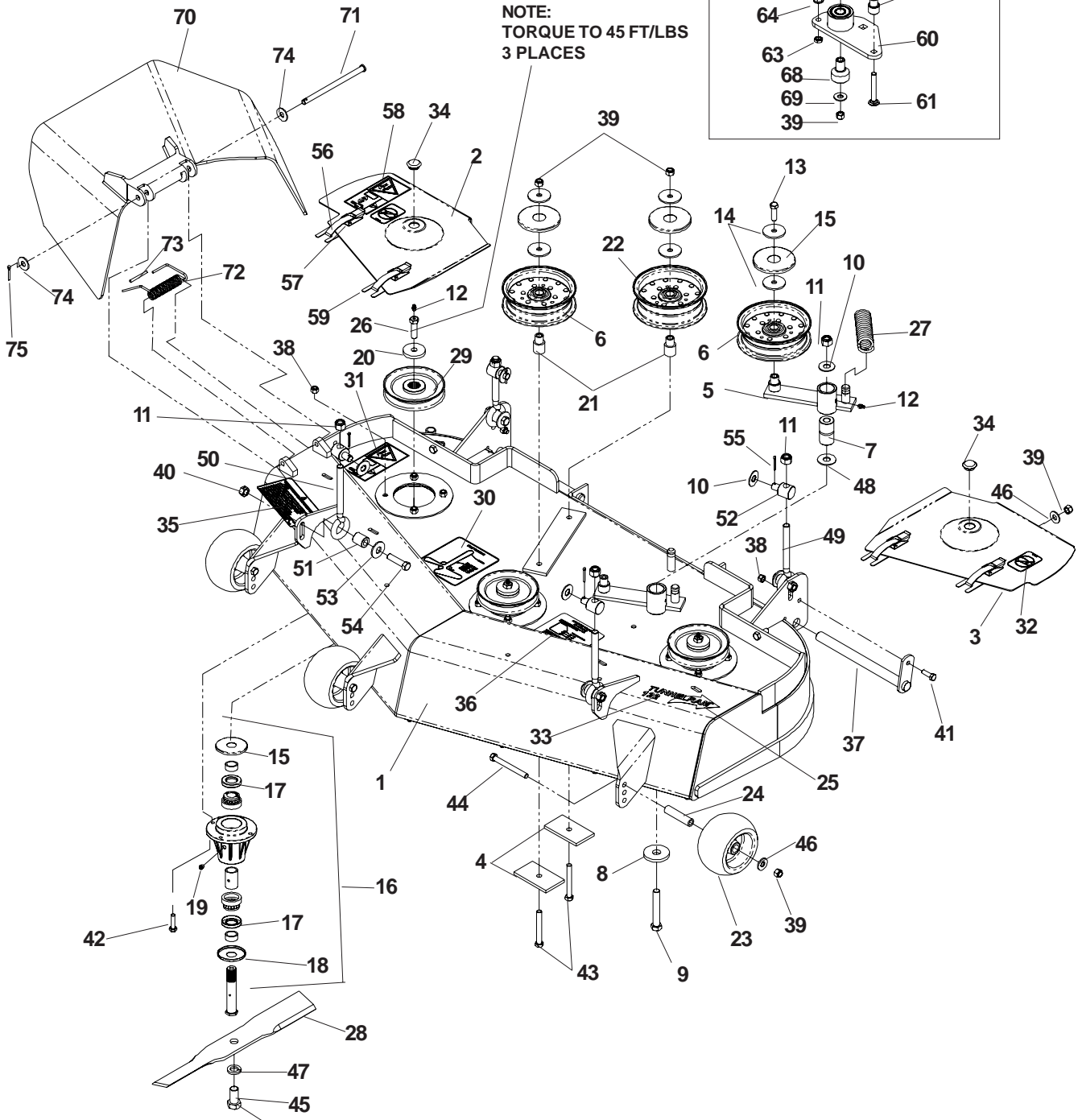
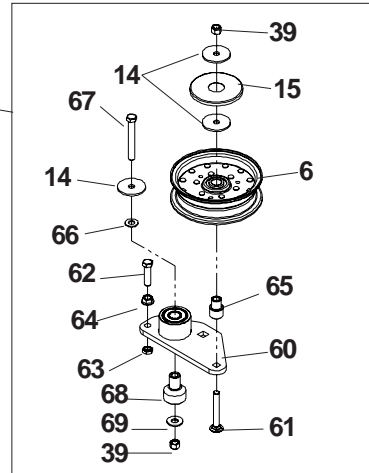
ITEM	PART NO.	QTY.	DESCRIPTION
1...	539 105180 ...	1...	LIFT PEDAL KIT
2...	539 976979 ...	3...	NUT, 3/8C, NYLOC
3...	539 105184 ...	1...	TIGHTING PLATE
4...	539 105181 ...	1...	LIFT PEDAL
5...	539 105187 ...	1...	ANTI-SKID PAD
6...	539 990655 ...	3...	HCS, 3/8C X 1½

48" CUTTING DECK

TRD48 / 968999342

USE AFTER
SERIAL NO. 0721XXXXX

NOTE:
TORQUE TO 45 FT/LBS
3 PLACES



NOTE:
TORQUE TO 90 FT/LBS
3 PLACES

48" CUTTING DECK

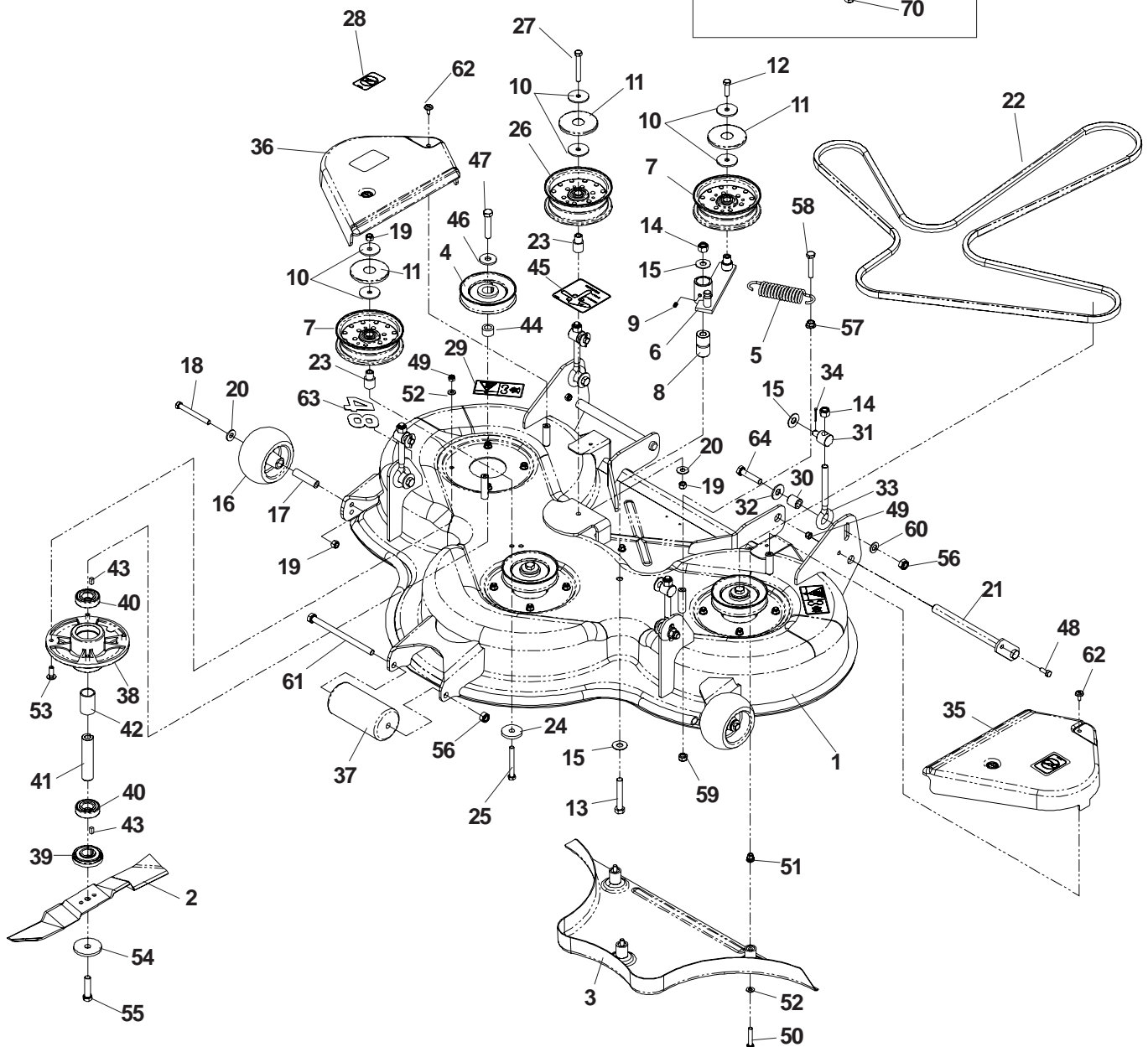
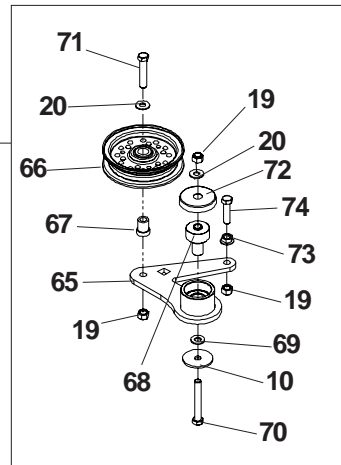
TRD48 / 968999342

ITEM	PART NO.	QTY.	DESCRIPTION	ITEM	PART NO.	QTY.	DESCRIPTION
1	539 111376	1	48" DECK W/DECALS	39	539 976979	7	NUT, 3/8-16, NYLOC
2	539 113359	1	BELT SHIELD, RIGHT	40	539 990839	4	NUT, 7/16-14, CTRLK, GRA
3	539 113358	1	BELT SHIELD, LEFT	41	539 990209	2	HCS, 5/16-18 X 1, GR5
4	539 103303	2	PAD	42	539 990627	12	HCS, 5/16-18 X 1 1/4, GR5
5	539 103230	1	IDLER ARM	43	539 101341	2	HCS, 3/8-16 X 3, GR5
6	539 103257	2	IDLER PULLEY	44	539 102754	3	HCS, 3/8-16 X 3 1/2, GR8
7	539 103427	1	PIVOT BUSHING	45	539 103299	3	HCS, 5/8-18 X 1 1/4, GR5
8	539 102243	1	SUPPORT WASHER	46	539 990517	5	WASHER, 3/8
9	539 103433	1	HCS, 1/2-13 X 3 1/4, GR5	47	539 990333	3	LOCKWASHER, 5/8
10	539 990550	5	WASHER, 1/2	48	539 113104	1	WASHER, 1/2
11	539 101331	5	NUT, 1/2-13, NYLOC	49	539 119227	2	EYEBOLT
12	539 976998	4	ZERK	50	539 114698	2	EYEBOLT, 1/2-13 X 5.88
13	539 976941	1	HCS, 3/8-16 X 1 1/4, GR5	51	539 114404	4	SPACER
14	539 111897	6	WASHER, 3/8, SPECIAL	52	539 114405	4	SWIVEL
15	539 108450	6	TOP DUST CAP	53	539 112484	4	SPRING WASHER, 1/2
16	539 112934	3	HOUSING ASSEMBLY, 52/61	54	539 108073	4	HCS, 7/16-14 X 1 3/4, GR5
17	539 108754	2	SHAFT SEAL	55	539 109246	4	PIN COTTER, 1/8 X 1
18	539 108449	1	BOTTOM DUST CAP	56	539 109660	2	DRAW LATCH
19	539 977326	1	GREASE POPET	57	539 110740	4	BLIND RIVET
20	539 106504	3	HEAVY WASHER	58	539 105746	1	DECAL, EURO SEVERING
21	539 103295	2	IDLER BUSHING	59	539 113357	2	GUARD
22	539 103258	1	IDLER PULLEY (TALL)	60	539 130391	1	ARM, IDLER, W/BEARINGS
23	539 102643	3	ANTI-SCALP ROLLER	61	539 130235	1	RHSNB, 3/8-16 X 2 3/4, GR5
24	539 102698	3	BUSHING	62	539 107042	1	HCS, 3/8-16 X 1 1/2, GR8
25	539 111812	1	DECAL, TUNNEL RAM	63	539 109332	1	NUT, 3/8-16, JAM
26	539 112120	3	HCS, 7/16-20 X 1 1/2, GR8, SPECIAL	64	539 990613	1	NUT, 3/8-16, WHIZLK
27	539 103256	1	SPRING	65	539 130242	1	BUSHING, IDLER
28	539 112612	3	BLADE, 16 1/4"	66	539 990122	1	WASHER, 3/8, SAE
29	539 112141	3	PULLEY, 42-48	67	539 101341	1	HCS, 3/8-16 X 3, GR5
30	539 110967	1	DECAL, BELT ROUTING	68	539 130205	1	PIVOT, BEARING
31	539 105746	1	DECAL, EURO SEVERING	69	539 990517	1	WASHER, 3/8
32	539 105743	2	DECAL, EURO NO STEP	70	539 110732	1	DISCHARGE CHUTE
33	539 112535	1	DECAL, 122	71	539 110736	1	PIN CLEVIS, 5/16 X 5.19
34	539 108382	2	PLUG, BUTTON, HOLE	72	539 110735	1	SPRING, TORSION
35	539 130245	1	DECAL, DISCHARGE	73	539 107627	2	CAP, SLEEVE
36	539 105232	1	DECAL, ANTI-SCALP	74	539 990188	2	WASHER, 5/16, SAE
37	539 102619	2	PIVOT PIN	75	539 990365	5	PIN, COTTER, 1/8 X 3/4
38	539 990717	14	NUT, 5/16-18, NYLOC		539 111949	1	DECK BELT, 48" (NOT SHOWN)

48" CUTTING DECK

CD48 / 968999347

USE AFTER
SERIAL NO. 0721XXXXX

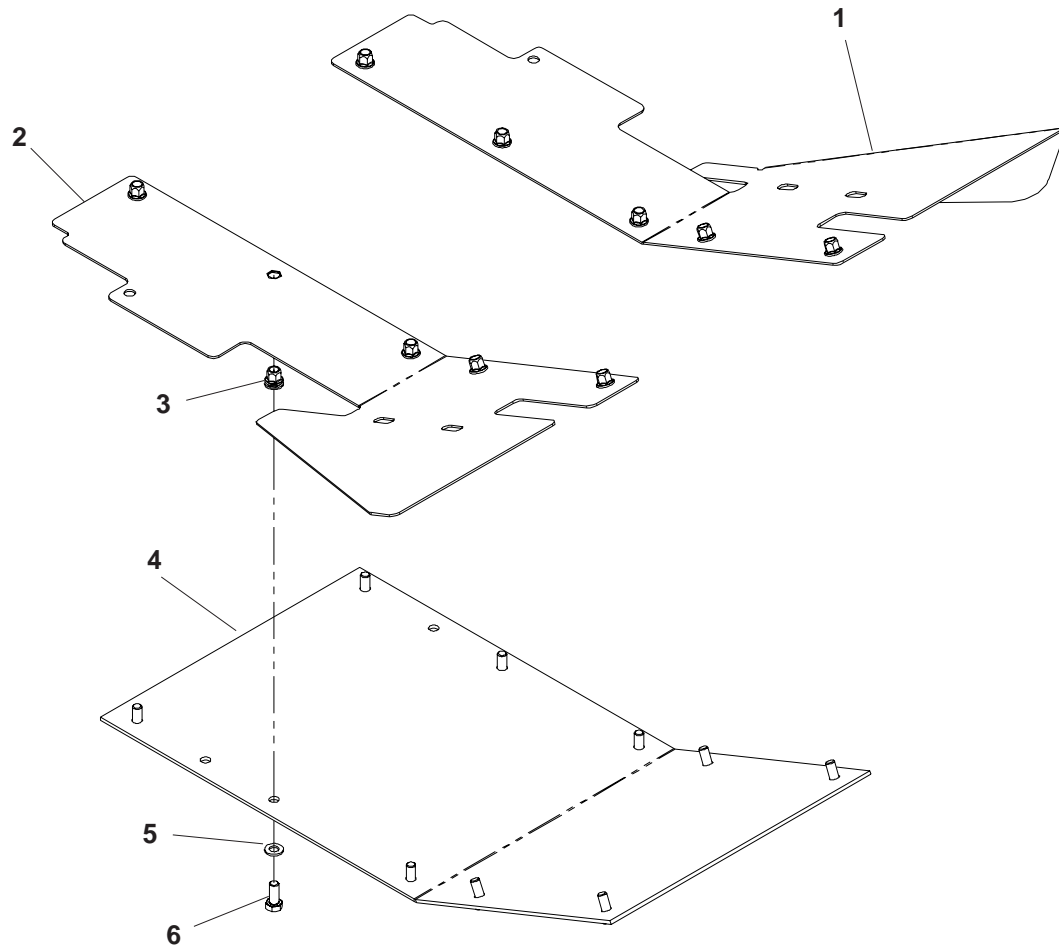


48" CUTTING DECK

CD48 / 968999347

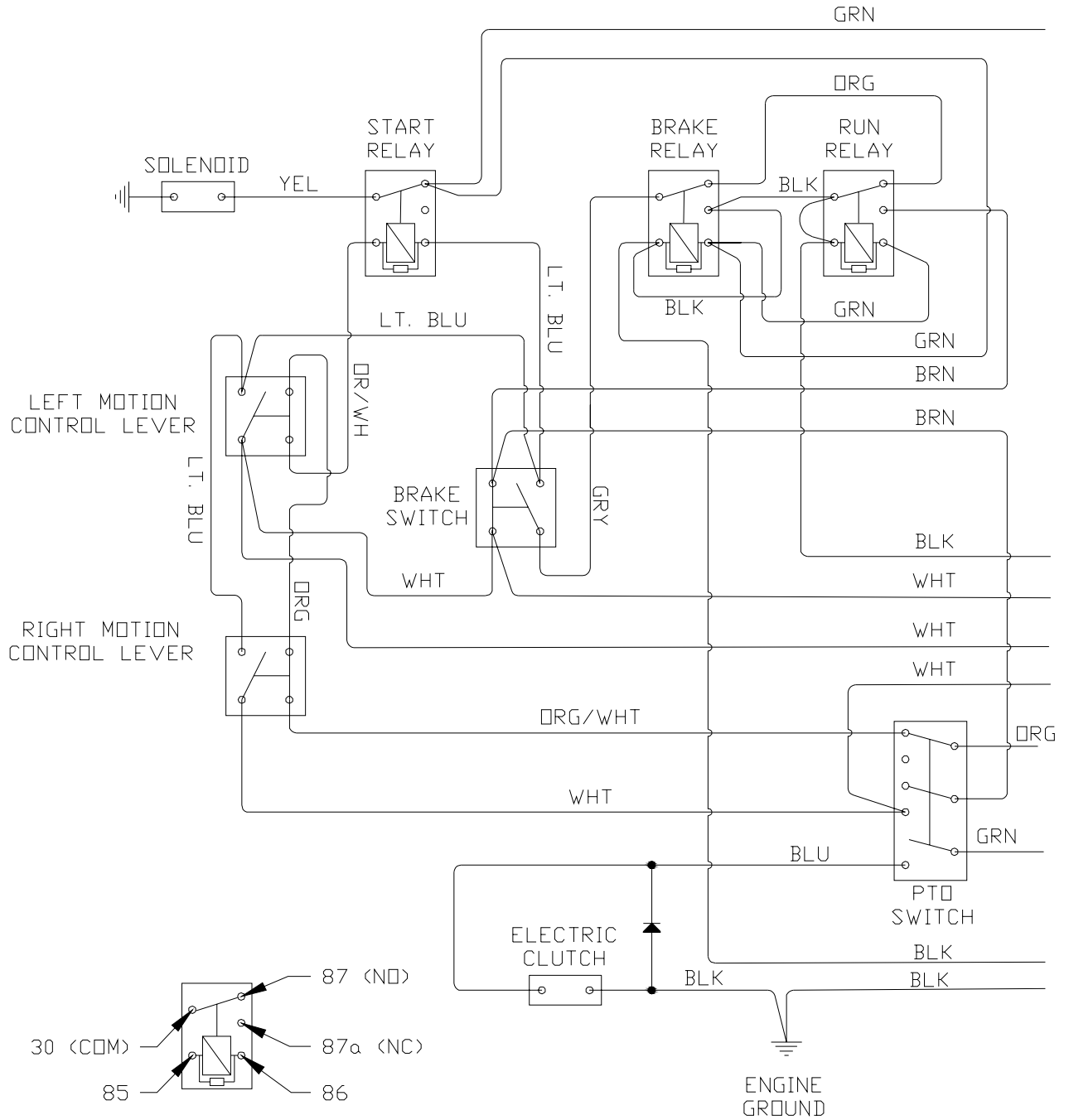
ITEM	PART NO.	QTY.	DESCRIPTION	ITEM	PART NO.	QTY.	DESCRIPTION
1....	539 113345	... 1 ...	DECK W/DECALS	38...	535 428901	... 3 ...	HOUSING
2...	535 429401	... 3 ...	BLADE	39...	535 504201	... 3 ...	BEARING
3...	535 428301	... 1 ...	MULCH PLUG	40...	738 220519	... 6 ...	BEARING
4....	539 112505	... 3 ...	PULLEY, 48	41 ...	535 428702	... 3 ...	AXEL
5...	539 103256	... 1 ...	SPRING	42...	535 428801	... 3 ...	SPACER
6...	539 103230	... 1 ...	IDLER ARM	43...	506 533501	... 6 ...	KEY
7...	539 103257	... 2 ...	IDLER PULLEY	44....	539 112609	... 3 ...	KEY RETAINER
8...	539 103427	... 1 ...	PIVOT BUSHING	45....	539 112620	... 1 ...	DECAL, BELT ROUTING
9...	539 976998	... 1 ...	ZERK	46...	535 429201	... 3 ...	WASHER
10....	539 111897	... 6 ...	WASHER, 3/8, SPECIAL	47...	725 254471	... 3 ...	BOLT, M12 X 1.75 X 60 MM
11 ...	539 108450	... 3 ...	TOP DUST CAP	48...	725 245151	... 2 ...	BOLT, M8 X 1.25 X 20 MM
12...	539 976941	... 1 ...	HCS, 3/8-16 X 1 1/4, GR5	49....	732 211801	. 14 ...	NUT, M8
13...	539 101572	... 1 ...	HCS, 1/2-13 X 3, GR5	50...	725 246071	... 3 ...	M8 X 1.25 X 45 MM
14...	539 101331	... 5 ...	NUT, 1/2, NYLOC	51...	506 916201	... 3 ...	NUT
15...	539 990550	... 6 ...	WASHER, 1/2	52....	734 116401	. 15 ...	WASHER
16...	539 102643	... 2 ...	ANTI-SCALP ROLLER	53...	535 423801	. 12 ...	SCREW
17...	539 102698	... 2 ...	BUSHING	54...	506 792302	... 3 ...	WASHER
18...	539 102754	... 2 ...	HCS, 3/8-16 X 3 1/2, GR8	55...	725 254251	... 3 ...	BOLT, M12 X 1.75 X 50 MM
19...	539 976979	... 4 ...	NUT, 3/8-16, NYLOC	56...	732 252201	... 5 ...	NUT, M12
20...	539 990517	... 3 ...	WASHER, 3/8	57....	539 112963	... 1 ...	NUT, M10 X 1.5
21...	539 102619	... 2 ...	PIVOT PIN	58...	725 250271	... 1 ...	BOLT, M10 X 1.5 X 55 MM
22....	539 112528	... 1 ...	DECK BELT, 48"	59...	732 212051	... 1 ...	NUT, M10
23...	539 103295	... 2 ...	IDLER BUSHING	60....	734 117801	... 4 ...	WASHER, 13 X 24 X 2.7
24...	539 106504	... 1 ...	HEAVY WASHER	61...	544 221001	... 1 ...	BOLT, M12 X 1.75 X 180 MM
25...	539 101341	... 1 ...	HCS, 3/8-16 X 3, GR5	62...	506 982601	... 4 ...	SCREW
26...	539 103258	... 1 ...	IDLER PULLEY (TALL)	63...	544 245303	... 1 ...	LABEL
27...	539 102612	... 1 ...	HCS, 3/8-16 X 2 3/4, GR5	64...	725 254371	... 4 ...	BOLT, M12 X 1.75 X 55 MM
28...	539 105743	... 2 ...	DECAL, EURO NO STEP	65...	539 130392	... 1 ...	ARM, IDLER, W/BEARINGS
29...	539 105744	... 2 ...	DECAL, EURO DANGER, BELT DRIVES	66...	539 976688	... 1 ...	PULLEY, IDLER
30....	539 114404	... 4 ...	SPACER	67...	539 976695	... 1 ...	IDLER FLANGE BUSHING
31....	539 114405	... 4 ...	SWIVEL	68...	539 130205	... 1 ...	PIVOT, BEARING
32....	539 112484	... 4 ...	SPRING WASHER, 1/2	69...	539 990122	... 1 ...	WASHER, 3/8, SAE
33....	539 119227	... 4 ...	EYEBOLT	70...	539 106492	... 1 ...	HCS, 3/8-16 X 2 3/4, GR5
34...	539 109246	... 4 ...	PIN COTTER, 1/8 X 1	71...	539 990588	... 1 ...	HCS, 3/8-16 X 2, GR5
35....	539 112508	... 1 ...	BELT SHIELD, LEFT	72....	539 114662	... 1 ...	SHIELD, DUST, 1/2"
36....	539 112509	... 1 ...	BELT SHIELD, RIGHT	73...	539 990613	... 1 ...	NUT, 3/8-16, WHIZLK
37...	544 185401	... 1 ...	ROLLER	74...	539 990655	... 1 ...	HCS, 3/8-16 X 1 1/2, GR5

DEBRIS SHIELD



ITEM	PART NO.	QTY.	DESCRIPTION
1	539 112951	1	SHIELD, LEFT
2	539 112549	1	SHIELD, RIGHT
3	506 916201	10	NUT
4	539 112954	1	RUBBER SECTION
5	734 116301	10	WASHER
6	725 245151	10	BOLT, M8 X 1.25 X 20MM

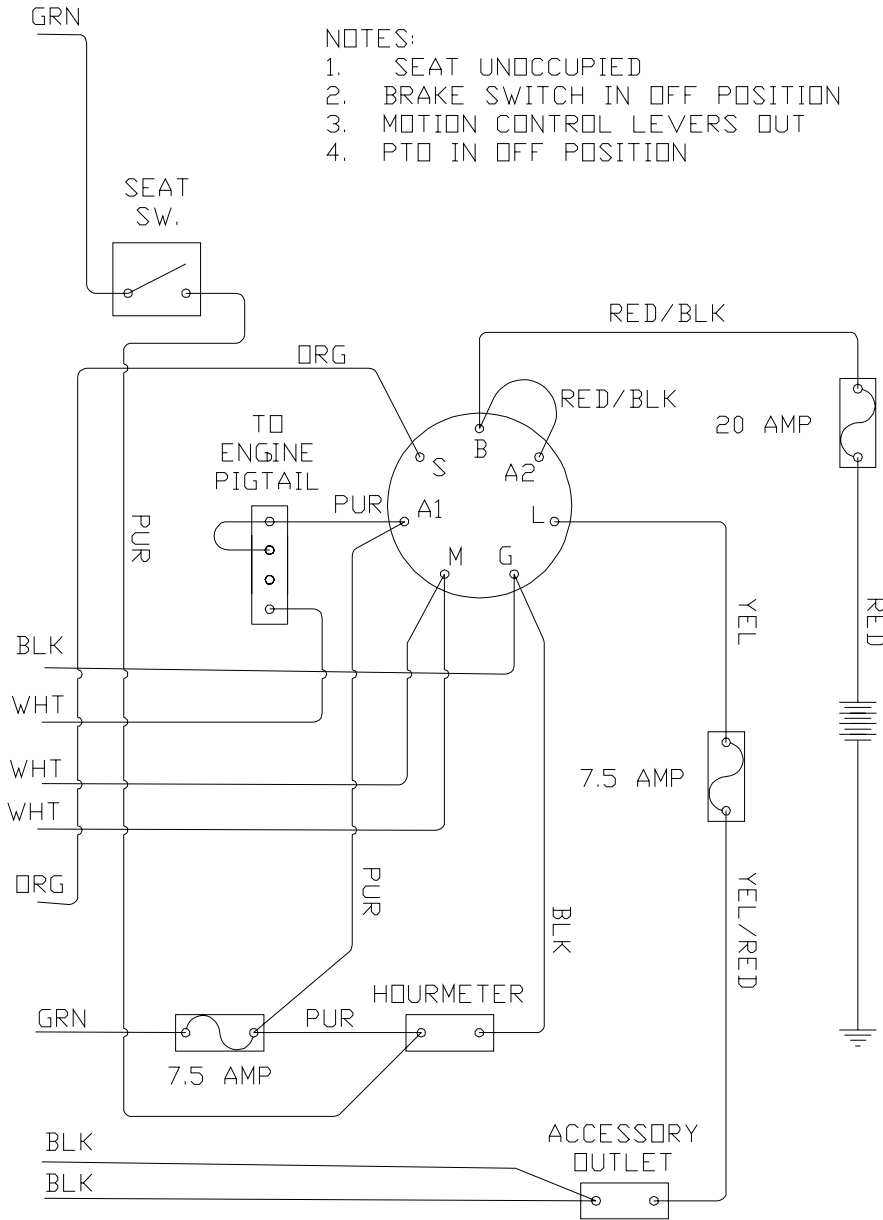
ELECTRICAL WIRING DIAGRAM



ELECTRICAL WIRING DIAGRAM

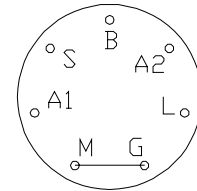
NOTES:

1. SEAT UNOCCUPIED
2. BRAKE SWITCH IN OFF POSITION
3. MOTION CONTROL LEVERS OUT
4. PTO IN OFF POSITION

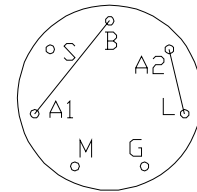


KEY SWITCH POSITIONS

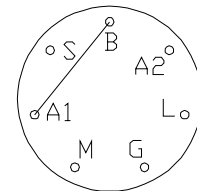
POSITION 1 - OFF



POSITION 2 - RUN1



POSITION 3 - RUN2



POSITION 4 - START

