

CTH220 Twin

Spare parts

Ersatzteile

Pièces détachées

Reserve onderdelen

Repuestos

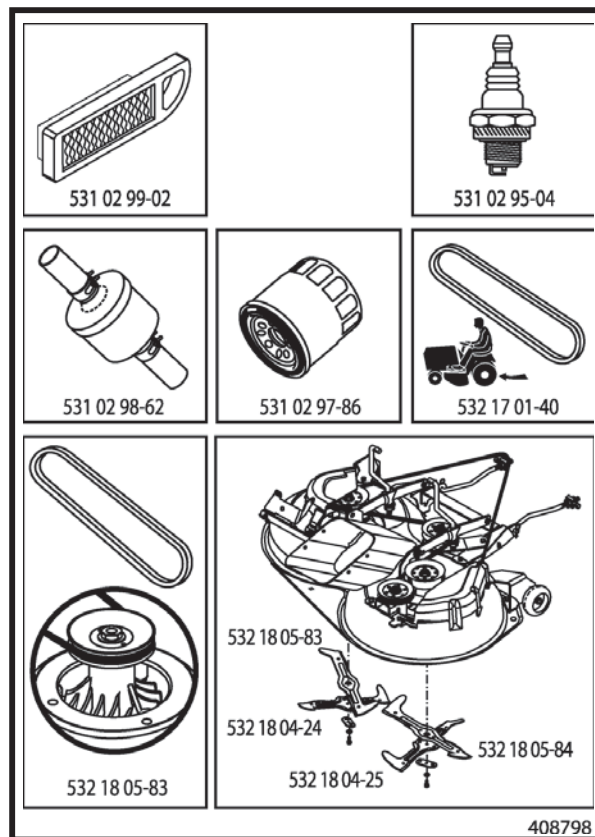
Reservdelar

ILLUSTRATED PARTS LIST

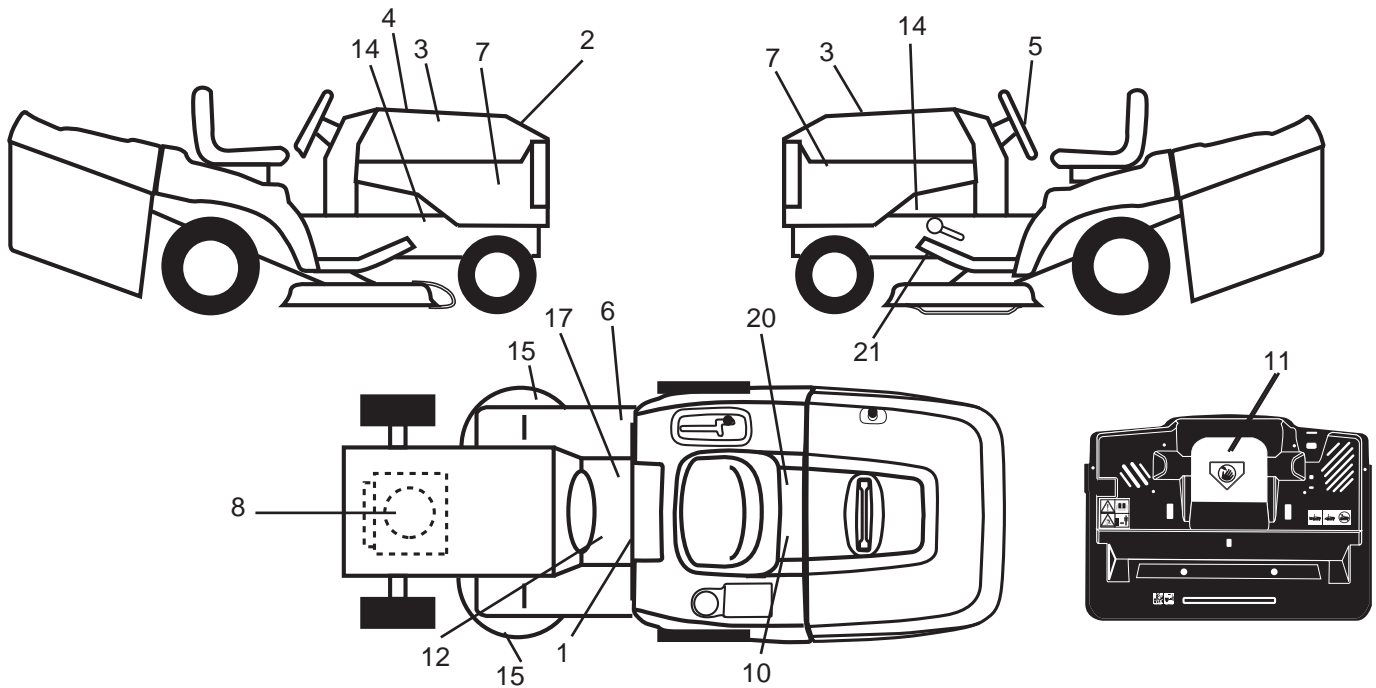
MFG. ID NO. 96061019001

CUSTOMER CATALOG NO. CTH220 TWIN

PRODUCT NO. 960 61 01-90

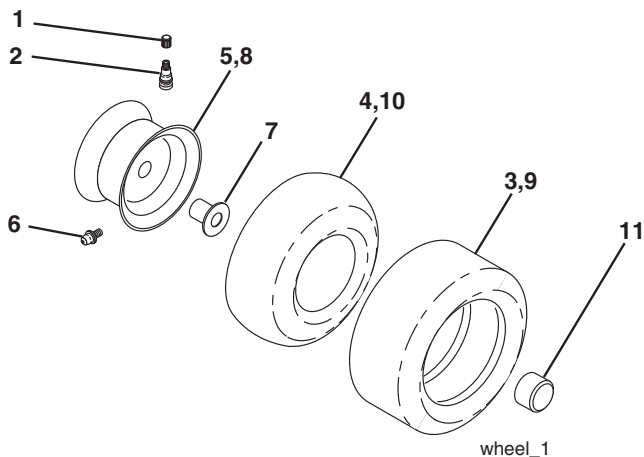


**TRACTOR - - MODEL NO. CTH220 TWIN (96061019001), PRODUCT NO. 960 61 01-90
DECALS**



KEY NO.	PART NO.	DESCRIPTION	KEY NO.	PART NO.	DESCRIPTION
1	532 40 03-89	Decal Warning Symbols CE	15	532 19 68-42	Decal Warning Cut Finger
2	532 40 21-28	Decal Hood Top	17	532 14 08-37	Decal Saddle Brake Parking
3	532 40 28-32	Decal Hood	20	532 16 69-60	Decal Bypass Fender CRD
4	532 40 87-98	Decal Replacement	21	532 16 62-86	Decal Hex Belt Sch 92 CRD
5	532 40 44-84	Decal Wheel Steering	--	532 18 04-35	Decal Rear Plate CRD Symbols
6	532 18 04-32	Decal 100 DBA	--	532 18 19-17	Pad Footrest RH
7	532 40 96-79	Decal Hood Side Panel	--	532 18 19-16	Pad Footrest LH
8	532 19 68-41	Decal Warning Eng. Sym	--	532 40 90-55	Manual Operator's (Euro)
10	532 14 50-05	Decal Bat Dan/Poi P/L Sym Wpn	--	532 40 90-56	Manual Operator's (Scand)
11	532 18 21-66	Decal Mower Cut Finger Symbol	--	532 40 90-57	Manual Operator's (E-Bloc)
12	532 15 97-37	Decal Brake/Clutch Symbol Lt	--	532 40 90-58	Manual Operator's (Baltic)
14	532 15 97-36	Decal Chassis Hot Muffler			

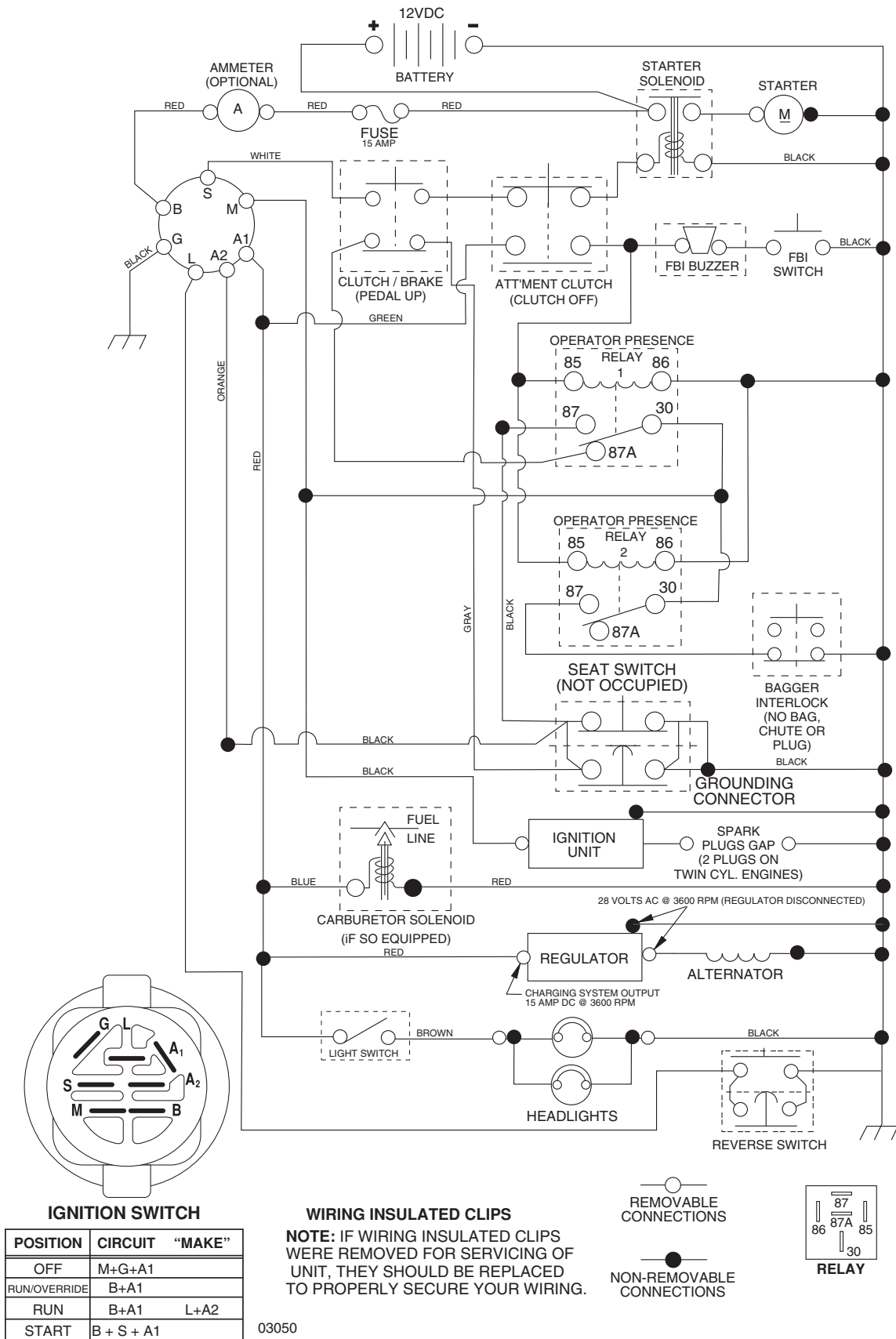
WHEELS & TIRES



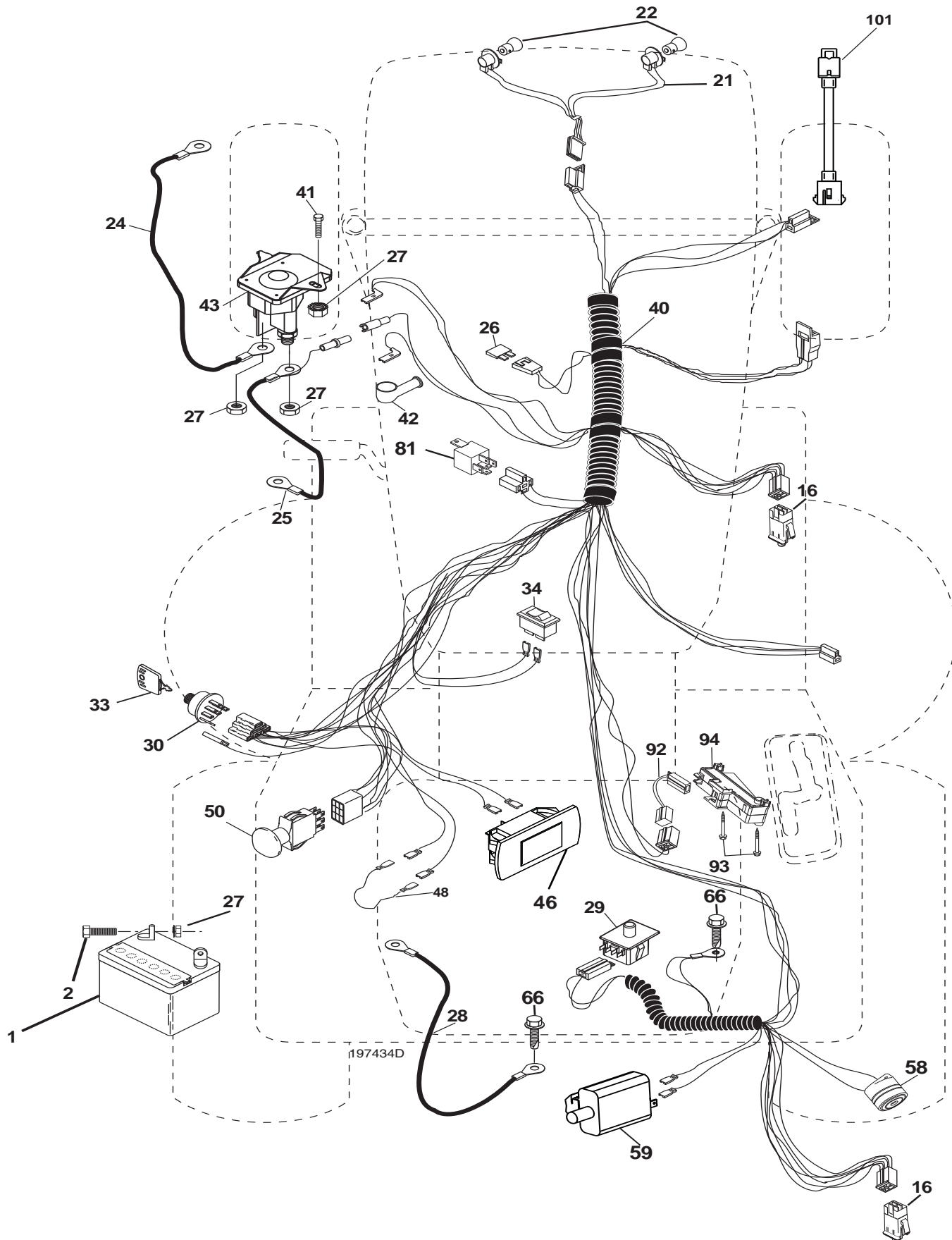
KEY NO.	PART NO.	DESCRIPTION
1	532 05 91-92	Cap Valve Tire
2	532 06 51-39	Stem Valve
3	532 10 62-22	Tire F Ts 15 x 6 0 - 6 Service
4	532 05 99-04	Tube Inner Front #35060
5	532 13 83-36	Rim Asm 6" Front Silver Service
6	532 12 49-57	Fitting Grease
7	532 12 49-59	Bearing Flange
8	532 13 83-37	Rim Asm 8" Rear Silver Service
9	532 12 20-82	Tire R Ts 20 x 10-8 Service
10	532 12 49-26	Tube Rear 9 5 x 8 Service
11	532 17 50-39	Cap Axle Blk 1 50 x 1 00
--	532 14 43-34	Sealant, Tire (10 oz. tube)

NOTE: All component dimensions given in U.S. inches
1 inch = 25.4 mm

TRACTOR - - MODEL NO. CTH220 TWIN (96061019001), PRODUCT NO. 960 61 01-90 SCHEMATIC



TRACTOR - - MODEL NO. CTH220 TWIN (96061019001), PRODUCT NO. 960 61 01-90
ELECTRICAL

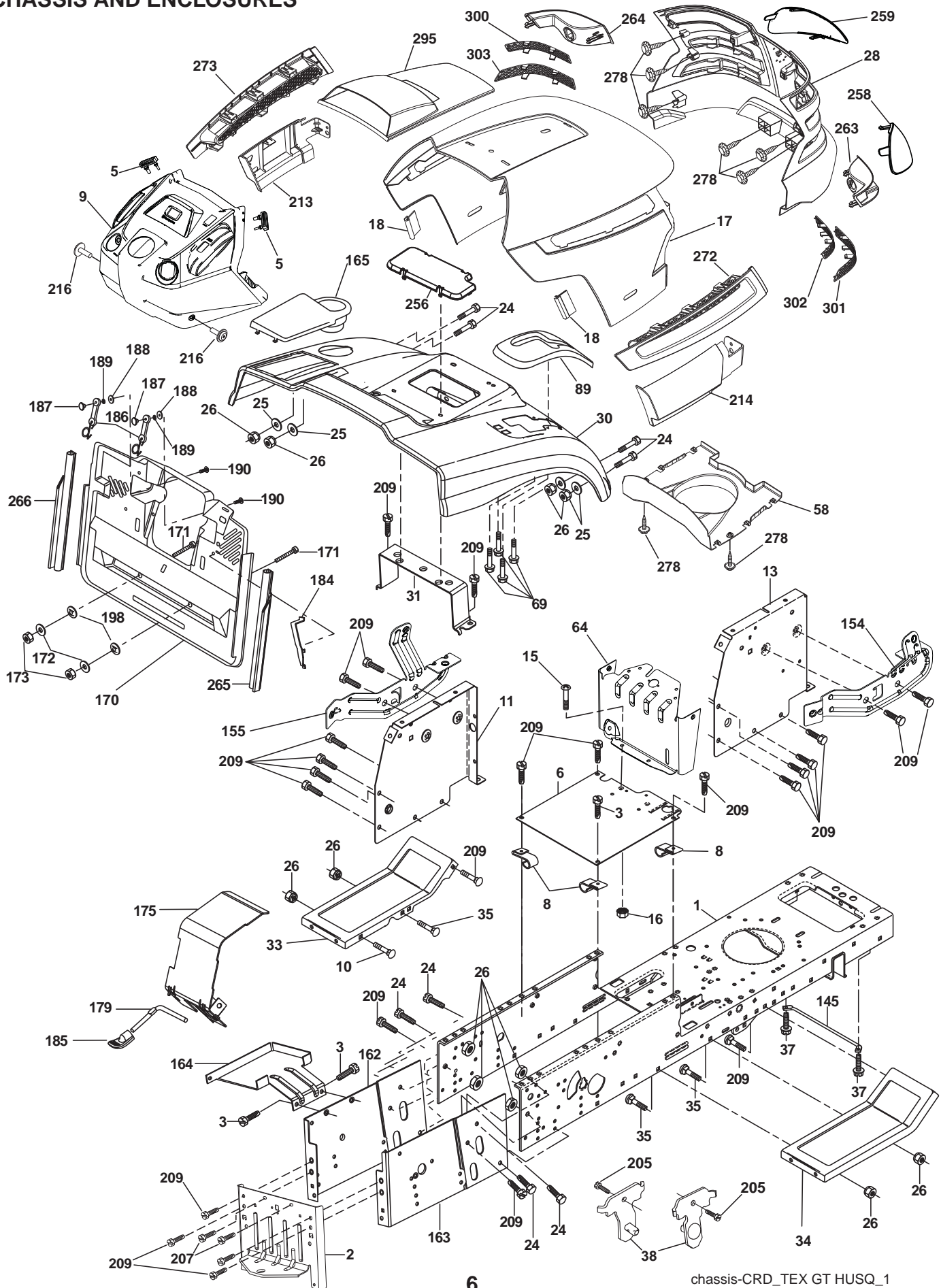


**TRACTOR - - MODEL NO. CTH220 TWIN (96061019001), PRODUCT NO. 960 61 01-90
ELECTRICAL**

KEY NO.	PART NO.	DESCRIPTION
1	532 14 49-27	Battery
2	874 76 04-12	Bolt Hex Hd 1/4-20 unc x 3/4
16	532 17 61-38	Switch Interlock
21	532 18 37-59	Harness Asm Light W/4152J
22	532 00 41-52	Bulb Light #1156
24	532 10 84-23	Cable Starter 6 Ga. 16" Red
25	532 16 59-87	Cable Battery CRD 56" Red
26	532 17 51-58	Fuse
27	873 51 04-00	Nut Keps Hex 1/4-20 unc
28	532 12 77-25	Cable Ground 6 Ga. 18" Black
29	532 19 27-49	Switch Seat
30	532 19 33-50	Switch Ignition
33	532 14 04-01	Key Ignition
34	532 11 07-12	Switch Light
40	532 19 74-34	Harness Ignition
41	871 11 04-08	Bolt Flk Fin Hex 1/4-20 unc x 1/2
42	532 13 15-63	Cover Terminal Red
43	532 19 25-07	Solenoid
46	532 40 17-63	Service Minder Hourmeter
48	532 14 08-44	Adapter Ammeter Rectangular
50	532 17 46-51	Switch PTO
58	532 16 94-19	Buzzer CRD
59	532 18 03-79	Switch FBI CRD
66	817 49 06-08	Screw Thdrol 3/8-16 x 1/2 Ty-Tt
81	532 10 97-48	Relay Asm
92	532 19 66-15	Harness Pigtail
93	532 19 25-40	Screw Plastite 10-44 x 2.0
94	532 19 18-34	Module Reverse
101	532 19 83-17	Pigtail Matlink Harness

NOTE: All component dimensions given in U.S. inches.
1 inch = 25.4 mm.

TRACTOR - - MODEL NO. CTH220 TWIN (96061019001), PRODUCT NO. 960 61 01-90
CHASSIS AND ENCLOSURES

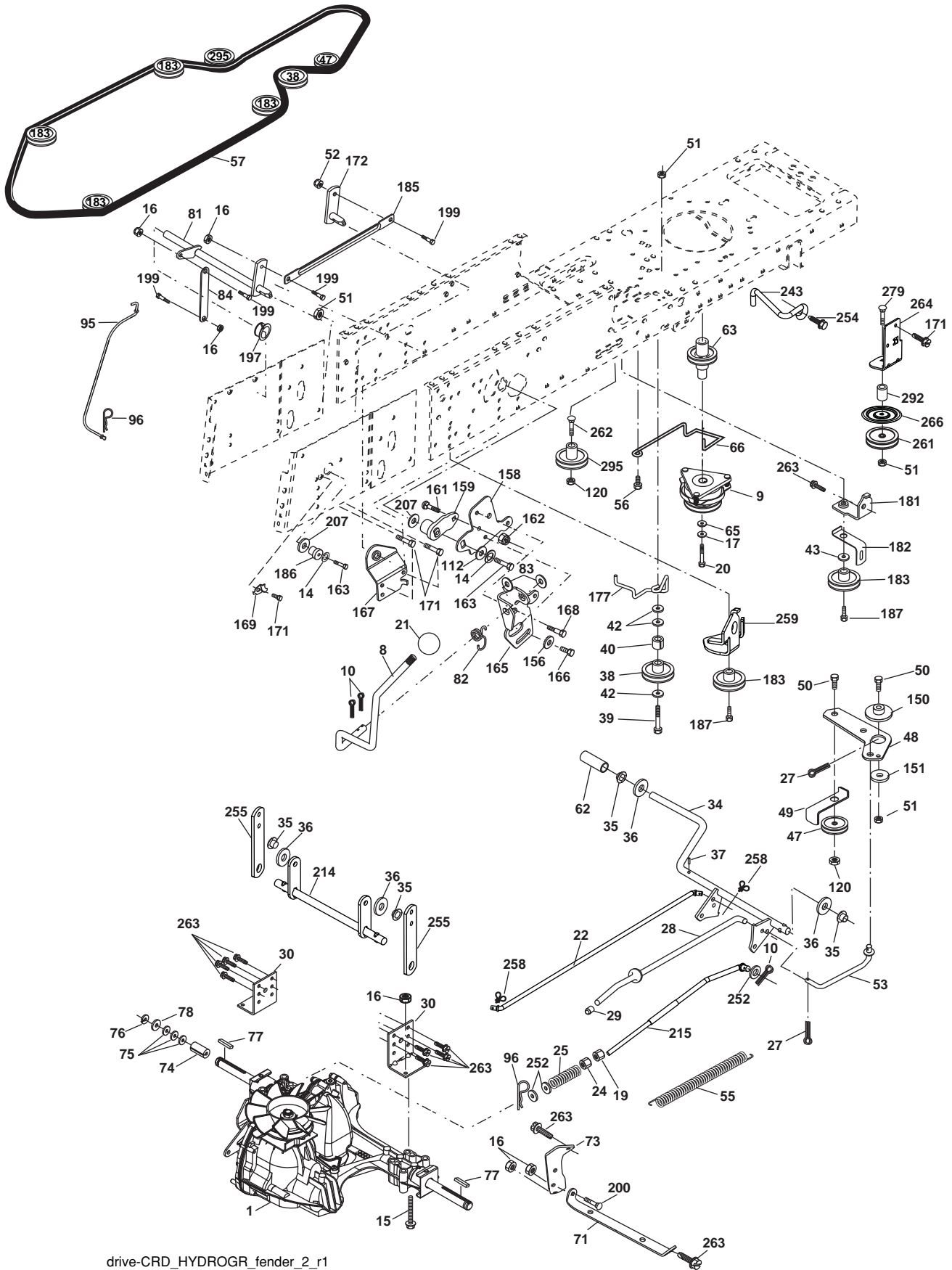


**TRACTOR - - MODEL NO. CTH220 TWIN (96061019001), PRODUCT NO. 960 61 01-90
CHASSIS AND ENCLOSURES**

KEY NO.	PART NO.	DESCRIPTION	KEY NO.	PART NO.	DESCRIPTION
1	532 17 46-20	Chassis			3/8-16 x 2-1/2 Gr. 5
2	532 18 03-84	Drawbar	172	819 13 20-16	Washer 13/32 x 1-1/4 x 16 Ga.
3	817 06 06-12	Screw 3/8-16 x 3/4	173	873 51 06-00	Nut, Keps Hex 3/8-16 unc
5	532 40 75-90	Bumper Hood/Dash	175	532 18 82-03	Guard Trap
6	532 18 44-19	Saddle	179	532 18 82-02	Rod Pivot FBI CRD
8	532 12 64-71	Clip Insulator 13/32 Mtg. Hole	184	532 17 46-62	Bracket Actuator Bagger CRD
9	532 40 89-11	Dash Upper	185	532 18 11-01	Knob Rod Brake Parking
10	872 14 06-08	Bolt, Carriage 3/8-16 x 3/4	186	532 16 07-93	Latch Asm Mulch/Bagger
11	532 16 72-03	Panel, Dash, L.H.	187	532 12 50-04	Nut Weld
13	532 17 82-98	Panel, Asm. Dash R.H.	188	819 06 12-16	Washer #10
15	874 18 05-12	Screw, Machine, THD 5/16-18 unc x 3/4	189	810 07 10-00	Washer Lock #10
16	873 51 05-00	Nut Keps 5/16-18 unc	190	871 08 10-10	Screw Pan Hd Phillip 10-24 x 5/8
17	532 41 10-46	Hood	198	532 16 89-37	Nut, Push
18	532 40 47-42	Bumper Hood	205	817 49 06-08	Screw Thdrol 3/8-16 x 1/2
24	874 78 06-16	Bolt	207	817 67 05-08	Screw Thdrol 5/16-18 x 1/2
25	819 13 13-12	Washer 13/32 x 13/16 x 12 Ga.	209	817 00 06-12	Screw Hex Wsh Thdrol 3/8-16
26	873 80 06-00	Nut	213	532 40 17-11	Skirt Side LH
28	532 40 86-07	Grille /Lens Asm	214	532 40 17-09	Skirt Side RH
30	532 19 73-76	Fender	216	817 06 04-10	Hex Tapping Screw
31	532 16 51-56	Bracket, Fender Support	256	532 18 13-61	Cover Fender Rack
33	532 18 10-57	Footrest, L.H.	258	532 19 89-06	Lens RH
34	532 18 10-58	Footrest, R.H.	259	532 19 89-07	Lens LH
35	872 11 06-06	Bolt	263	532 19 71-98	Bezel RH
37	817 49 05-08	Screw Thdrol 5/16-18 x 1/2 TYT	264	532 19 71-99	Bezel LH
38	532 18 17-48	Bracket Asm Pivot Mower Rear	265	532 18 57-04	Seal RH Side Bagger
58	532 19 85-12	Duct Air	266	532 18 57-03	Seal LH Side Bagger
64	532 19 93-95	Dash Lower	272	532 40 30-48	Vent Hood RH
69	532 14 24-32	Screw Hx Wsh Hi-Lo 1/4-1/2	273	532 40 30-76	Vent Hood LH
89	532 19 73-77	Console CRD Auto Grey	278	532 19 16-11	Screw 10 x 3/4 Single Lead-Hex
145	532 40 91-67	Rod Pivot Chassis/Hood	295	532 40 05-39	Vent Top Hood
154	532 40 86-90	Bracket Mounting Dash RH	300	532 19 91-31	Insert Tex Top LH
155	532 40 86-91	Bracket Mounting Dash LH	301	532 19 91-30	Insert Tex Top RH
162	532 18 03-82	Bracket Exten Chassis Lh CRD	302	532 19 91-32	Insert Tex Bottom RH
163	532 18 03-83	Bracket Exten Chassis Rh CRD	303	532 19 91-33	Insert Tex Bottom LH
164	532 16 56-05	Support Battery CRD			
165	532 18 11-00	Cover Battery			
170	532 19 94-88	Backplate CRD			
171	872 14 06-20	Bolt Rdhd Sqnk			

NOTE: All component dimensions given in U.S. inches.
1 inch = 25.4 mm.

TRACTOR - - MODEL NO. CTH220 TWIN (96061019001), PRODUCT NO. 960 61 01-90
DRIVE



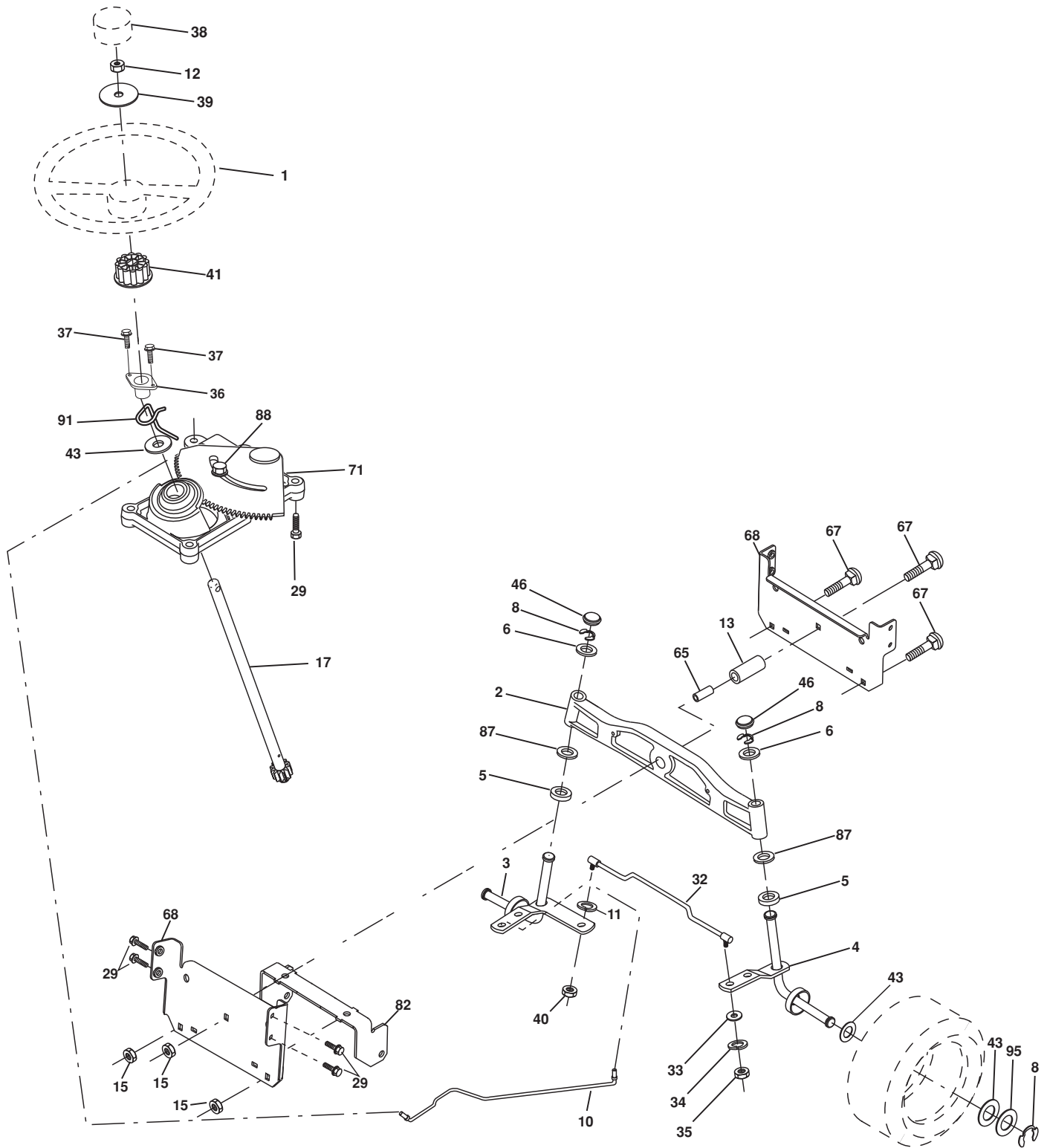
drive-CRD_HYDROGR_fender_2_r1

**TRACTOR - - MODEL NO. CTH220 TWIN (96061019001), PRODUCT NO. 960 61 01-90
DRIVE**

KEY NO.	PART NO.	DESCRIPTION	KEY NO.	PART NO.	DESCRIPTION
1	-----	Transaxle Hydro Gear 321-0510 (Order parts from transaxle manufacturer)	78	532 12 17-48	Washer 25/32 x 1-5/8 x 16 Ga.
8	532 19 27-06	Rod, Shift Fender Adjust Lt	81	532 17 00-06	Asm, Shaft,Cross Rear
9	532 18 02-20	Clutch Elect	82	532 16 57-11	Spring, Torsion
10	876 02 04-16	Pin, Cotter 1/8 x 1	83	819 17 12-16	Washer 17/32 x 3/4 x 16 Ga.
14	810 04 04-00	Washer, Lock Hvy Helical	84	532 17 00-07	Link, Transaxle
15	874 49 05-44	Bolt Hex FGHD 5/16-18 x GR. 5	95	532 17 00-15	Control Asm Bypass Hydro
16	873 80 05-00	Nut Lock Hex W/lns 5/16-18 unc	96	532 12 47-88	Spring, Retainer 1"
17	532 12 61-97	Washer 1-1/2 OD x 15/32 ID x .250	112	819 09 12-10	Washer 9/32 x 3/4 x 10 Ga.
19	873 80 06-00	Nut Lock Hex w/lns 3/8-16 unc	120	873 90 06-00	Nut Lock Flg. 3/8-16 unc
20	532 17 39-37	Bolt Hex 7/16-20 x 4 x GR. 5-1.5	150	532 16 58-50	Bushing, Bellcrank Grnd Dr
21	532 12 12-74	Knob Duckhead 1/4-13 unc Blk	151	819 13 32-10	Washer 13/32 x 2 x 10 Ga.
22	532 17 56-07	Brake Rod	156	532 16 60-02	Washer Srrted 5/16 ID x 1.125
24	873 35 06-00	Nut Hex Jam 3/8-16 unc	158	532 16 55-89	Bracket Shift Mount
25	532 19 20-36	Spring, Rod, Brake	159	532 18 39-00	Hub Shift
27	876 02 04-12	Pin, Cotter 1/8 x 3/4	161	872 14 04-06	Bolt Rdhd Sqnk 1/4-20 x 3/4 Gr 5
28	532 17 57-65	Rod, Parking Brake	162	873 68 04-00	Nut Crownlock 1/4-20 unc
29	532 12 42-36	Cap, Parking Brake	163	874 78 04-16	Bolt Hex Fin 1/4-20 unc x 1 Gr 5
30	532 16 95-92	Bracket, Mfg. Transaxle	165	532 16 56-23	Bracket Pivot Lever
34	532 17 55-78	Shaft, Asm Pedal Foot CRD	166	817 49 05-10	Screw 5/16-18 x 5/8
35	532 12 01-83	Bearing, Nylon	167	532 16 55-88	Bracket Support Shift CRD
36	819 21 16-16	Washer 21/32 x 1 x 16 Ga.	168	532 16 54-92	Bolt Shoulder 5/16-18 x .561
37	532 12 49-63	Pin, Roll 3/16 x 1"	169	532 16 55-80	Plate Fastening Lt
38	532 16 59-36	Pulley Flat Composite 3.06"	171	817 49 06-08	Screw Thdrol 3/8-16 x 1/2 Ty-Tt
39	874 76 06-44	Bolt Fin Hex 3/8-16 unc x 2-3/4	172	532 17 02-71	Shaft Asm Shifter Frt CRD
40	532 12 49-65	Spacer, Split 395 x 59 Bzp	177	532 16 59-32	Keeper Flat Idler 3.06" CRD
42	819 13 13-12	Washer 13/32 x 13/16 x 12 Ga.	181	532 18 02-11	Bracket Idler Ground Drive CRD
43	819 11 10-12	Washer 11/32 x 5/8 x 12 Ga.	182	532 18 26-82	Keeper Belt 2.5" Od V-Idler CRD
47	532 12 77-83	Pulley, Idler, V Groove Plasic	183	532 19 95-32	Pulley V-Idler 2.50" Od CRD
48	532 15 44-07	Bellcrank Clutch Grnd Drv	185	532 17 00-08	Link Shift
49	532 12 32-05	Retainer, Belt Style Spring	186	532 16 56-14	Hub Tapered Round CRD
50	872 11 06-12	Bolt Carr. Sh. 3/8-16 x 1-1/2 GR. 5	187	817 58 05-20	Screw Thdrol 5/16-18 x 1.25
51	873 68 06-00	Nut, Crownlock 3/8-16 unc	197	532 16 96-13	Nyliner Snap-In 5/8
52	873 68 05-00	Nut Crownlock 5/16-18	199	532 16 96-12	Bolt Shoulder 5/16-18 unc
53	532 19 96-52	Link, Clutch 7.66	200	872 14 05-08	Bolt RDHD SQNK 5/16-18 x 1
55	532 10 57-09	Spring, Return, Clutch	207	532 16 98-45	Washer Nylon Rear
56	817 06 06-20	Screw 3/8-16 x 1-1/4	214	532 17 56-09	Shaft Asm. Brake
57	532 17 01-40	V-Belt Kev 112" 0650 CRD	215	532 17 56-52	Rod Brake Hydro
62	532 12 48-72	Cover, Pedal	243	532 19 07-36	Bracket Anti Rotation
63	532 18 03-97	Pulley Engine CVX	252	819 13 16-16	Washer 13/32 x 1 x 16 Ga.
65	810 04 07-00	Washer	254	817 00 06-16	Screw 3/8-16 x 1
66	532 15 47-78	Keeper, Belt Engine F-Proof	255	532 17 56-08	Brace Shaft Brake Mtg.
71	532 16 91-83	Strap, Torque, Lh	258	532 17 80-62	Clip Retainer
73	532 16 91-82	Strap, Torque, Rh	259	532 18 02-12	Bracket Pulley
74	532 13 70-57	Spacer, Split	261	532 13 14-94	Pulley Idler Flat
75	532 12 17-49	Washer 25/32 x 1-1/4 x 16 Ga.	262	872 11 06-22	Bolt Carr. 3/8-16 x 2-3/4 Gr.5
76	812 00 00-01	Ring, E	263	817 00 06-12	Screw 3/8-16 x 3/4
77	532 12 35-83	Key, Square	264	532 19 76-07	Bracket Idler Chassis
			266	532 18 20-61	Shield Idler Mower
			279	872 11 06-16	Bolt RD HD SQ 3/8-16 unc x 2
			292	532 40 02-71	Spacer Noram CRD
			295	532 17 91-14	Pulley Idler Composite

NOTE: All component dimensions given in U.S. inches
1 inch = 25.4 mm

TRACTOR - - MODEL NO. CTH220 TWIN (96061019001), PRODUCT NO. 960 61 01-90
STEERING ASSEMBLY



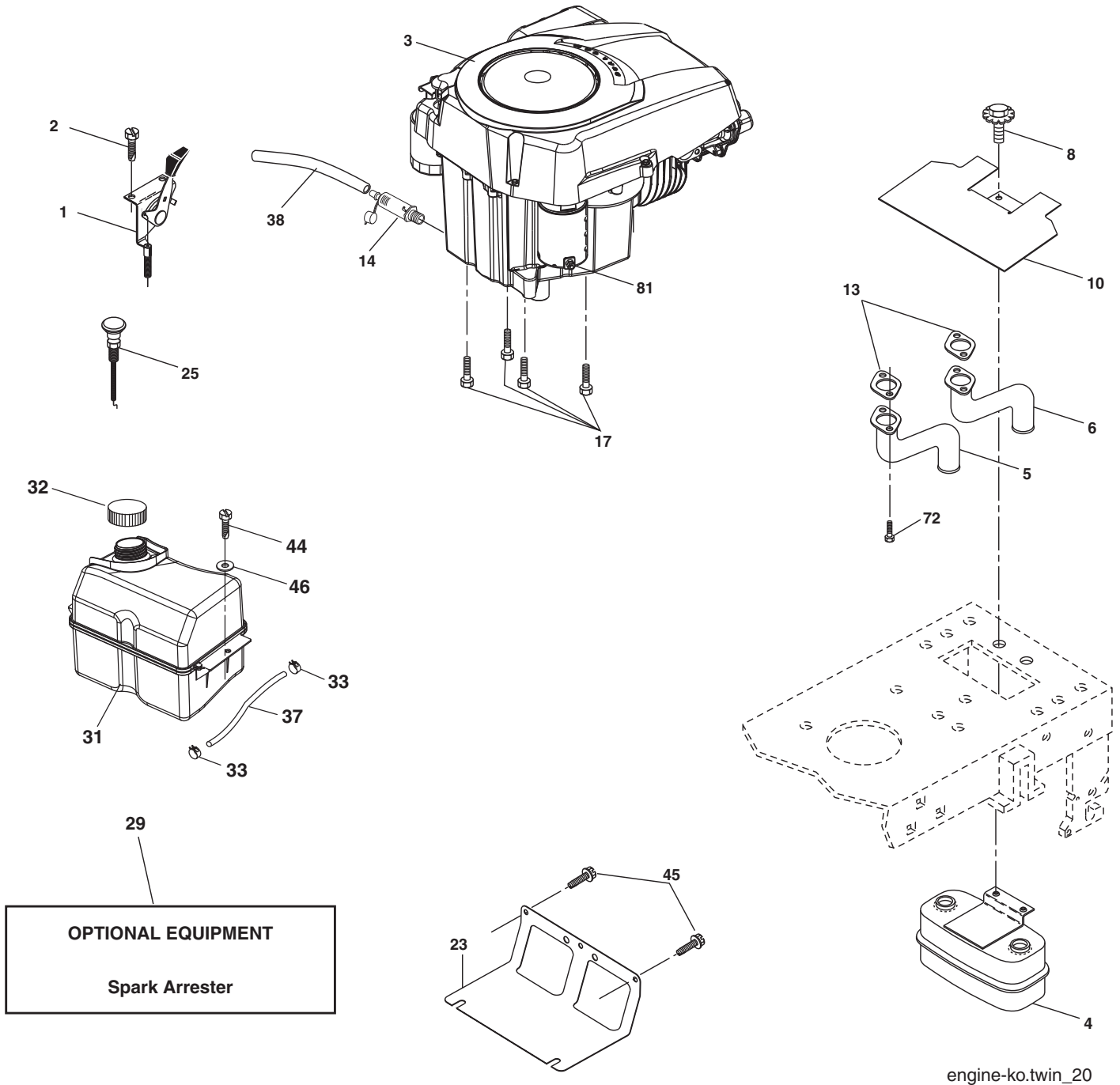
steering_pl.lt_53

**TRACTOR - - MODEL NO. CTH220 TWIN (96061019001), PRODUCT NO. 960 61 01-90
STEERING ASSEMBLY**

KEY NO.	PART NO.	DESCRIPTION
1	532 19 36-51	Steering Wheel
2	532 18 47-06	Front Axle Assembly
3	532 16 98-40	Spindle Assembly, L.H.
4	532 16 98-39	Spindle Assembly, R.H.
5	532 12 49-31	Bearing, Race, Thrust, Hardened
6	532 12 17-48	Washer 25/32 x 1-5/8 x 16 Ga.
8	812 00 00-29	Ring, Klip
10	532 17 51-21	Draglink
12	873 94 08-00	Nut Hex Jam Toplock 1/2-20
11	810 04 06-00	Washer, Lock
13	532 13 65-18	Spacer Axle
15	532 14 52-12	Nut Hex Flange Lock
17	532 17 78-83	Shaft Assembly, Steering
29	817 00 06-12	Screw 3/8-16 x 3/4
32	532 17 18-88	Rod, Tie
33	819 11 12-16	Washer 11/32 x 3/4 x 16 Ga.
34	810 04 05-00	Washer Lock Hvy Hlcl Spr 5/16
35	873 54 05-00	Crownlock Nut 5/16-24 unf
36	532 15 51-05	Bushing, Steering
37	532 15 29-27	Screw TT #10-32 x 5 x 3/8 Flange
38	532 19 36-52	Cap Wheel Steering
39	819 18 38-12	Washer 9/16 ID x 2-3/8 OD 12 GZIN
40	873 54 06-00	Nut Crownlock 3/8-24
41	532 18 67-37	Adaptor, Steering Wheel
43	532 12 17-49	Washer 25/32 x 1-1/4 x 16 Ga.
46	532 12 12-32	Cap, Spindle
65	532 16 03-67	Spacer Axle
67	872 11 06-18	Bolt Rdhd Sq 3/8-16 x 2-1/4
68	532 16 98-27	Brace Axle
71	532 17 51-46	Steering Asm.
82	532 19 99-78	Bracket Susp. Chassis Front
87	532 17 39-66	Washer Flat .781 x 1-1/2 x .14
88	532 17 51-18	Bolt Shoulder 7/16-20 unc
91	532 17 55-53	Clip Steering
95	532 18 89-67	Washer

NOTE: All component dimensions given in U.S. inches.
1 inch = 25.4 mm.

**TRACTOR - - MODEL NO. CTH220 TWIN (96061019001), PRODUCT NO. 960 61 01-90
ENGINE**

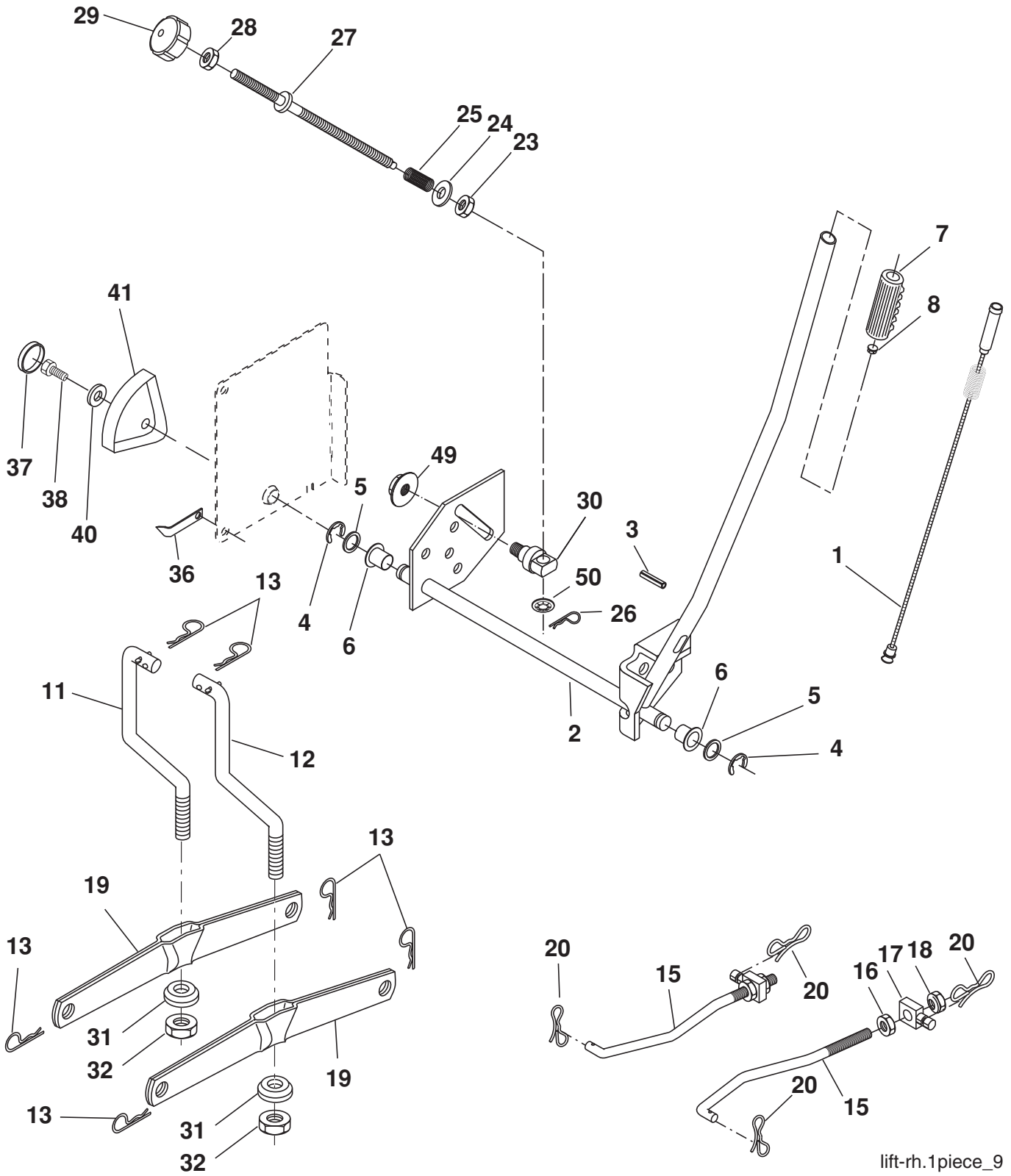


**TRACTOR - - MODEL NO. CTH220 TWIN (96061019001), PRODUCT NO. 960 61 01-90
ENGINE**

KEY NO.	PART NO.	DESCRIPTION
1	532 18 29-37	Control Throt /Ch Flag
2	532 19 16-11	Screw Hex 10 x 3/4
3	-----	Engine Kohler SV715 (Order Parts from Engine Manufacturer)
4	532 14 97-23	Muffler
5	532 14 66-99	Pipe Exhaust LH
6	532 14 67-00	Pipe Exhaust RH
8	532 17 18-77	Bolt 5/16-18 x 3/4
10	532 14 66-29	Shield Heat Muffler
13	-----	Gasket (Order parts from Engine Manufacturer)
14	532 14 84-56	Tube Drain Oil Easy
17	817 12 06-16	Screw 3/8-16 x 1
23	532 16 98-37	Shield Browning/Debris Guard
25	532 18 95-41	Control Choke
29	532 13 71-80	Arrestor Spark
31	532 18 55-34	Tank Fuel
32	532 19 77-25	Cap Asm Fuel
33	532 12 34-87	Clamp Hose Blk
37	532 13 70-40	Line Fuel 20"
38	532 18 16-54	Plug Drain Oil Easy
44	817 67 04-12	Screw Hexwsh Thdrol 1/4-20 x 3/4
45	817 00 06-12	Screw Hexwsh Thdr 3/8-16 x 3/4
46	819 09 14-16	Washer 9/32 x 7/8 x 16ga
72	532 19 23-34	Screw Socket Hd. 5/16-18 x .75
81	873 51 04-00	Nut Keps 1/4-20 unc

NOTE: All component dimensions given in U.S. inches.
1 inch = 25.4 mm.

TRACTOR - - MODEL NO. CTH220 TWIN (96061019001), PRODUCT NO. 960 61 01-90
MOWER LIFT



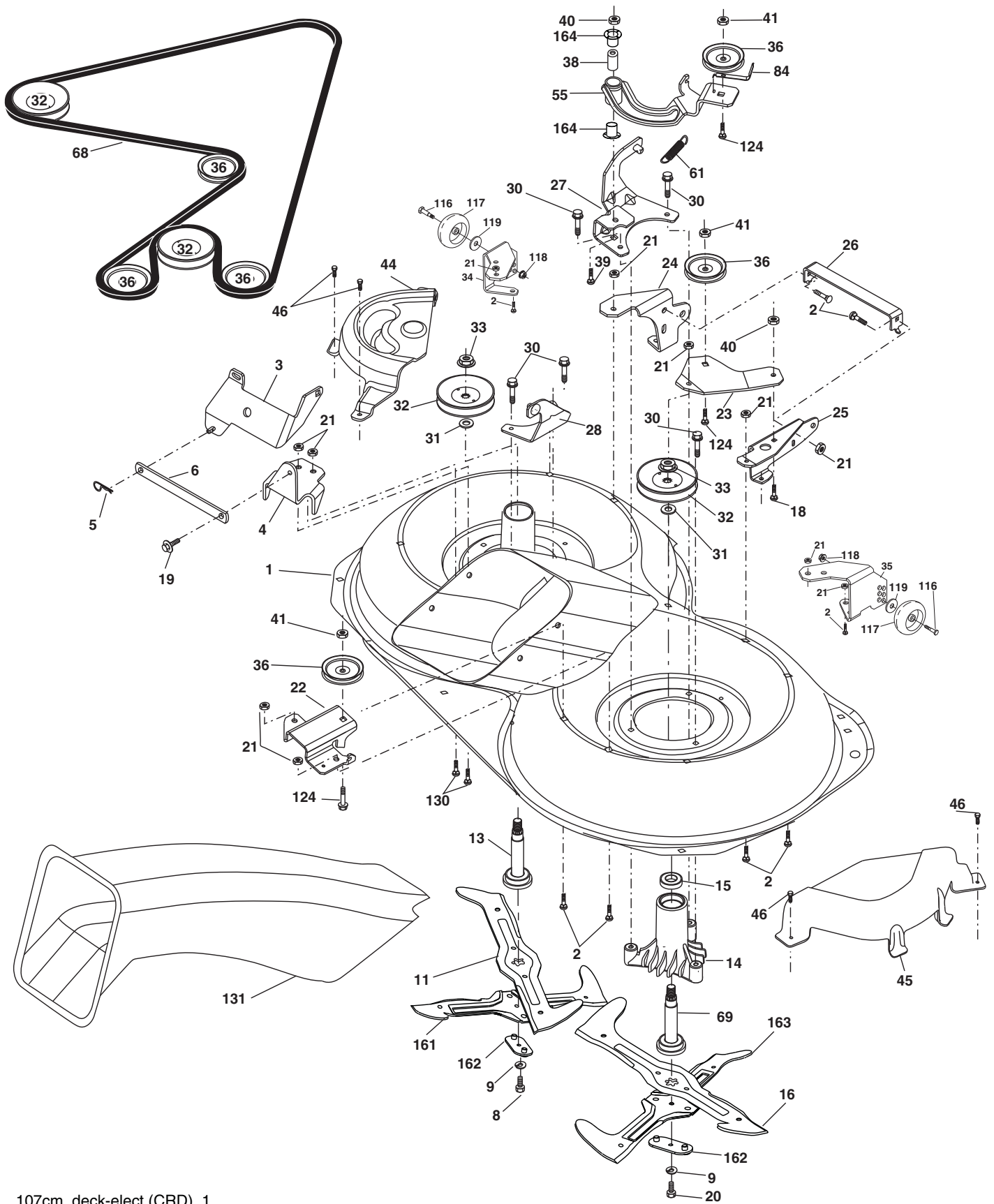
lift-rh.1piece_9

**TRACTOR - - MODEL NO. CTH220 TWIN (96061019001), PRODUCT NO. 960 61 01-90
MOWER LIFT**

KEY NO.	PART NO.	DESCRIPTION
1	532 19 84-17	Wire Asm Inner Spring W/Plunger
2	532 19 80-70	Shaft Asm. Lift
3	532 18 88-22	Pin Groove
4	812 00 00-02	E Ring #5133-62
5	819 21 16-21	Washer 21/32 x 1 x 21 Ga.
6	532 12 01-83	Bearing Nylon
7	532 12 56-31	Grip Handle Fluted
8	532 12 23-65	Button Plunger Red
11	532 16 58-29	Link Asm Lift L.H.
12	532 16 58-31	Link Asm Lift R.H.
13	532 12 46-70	Retainer Spring
15	532 17 32-88	Link Front
16	873 35 08-00	Nut Jam Hex 1/2-13 unc
17	532 17 56-89	Trunnion Blk Zinc
18	873 80 08-00	Nut Lock w/wsh 1/2-13 unc
19	532 13 98-68	Arm Suspension Mower
20	532 19 42-09	Pin Cotter 7/16 Bowtie Lock
23	532 11 08-07	Nut Special
24	819 13 10-16	Washer 13/32 x 5/8 x 16 Ga.
25	532 16 40-24	Spring
26	532 16 94-84	Retainer Clip
27	532 16 45-43	Rod Adj Lift
28	873 35 06-00	Nut Hex Jam 3/8-16 unc
29	532 13 80-57	Knob Inf 3/8-16 unc Blk w/sym
30	532 15 02-33	Trunnion Infin Height
31	532 16 98-65	Bearing, Pvt. Lift.
32	873 54 06-00	Nut Crownlock 3/8-24
36	532 15 50-97	Pointer Height Indicator
37	532 12 39-35	Plug Hole Blk 1.485/1.515 Dia
38	817 06 05-16	Screw 5/16-18 x 1
40	819 11 24-10	Washer 11/32 x 1-1/2 x 10 Ga.
41	532 12 39-34	Scale Ind Height Blk
49	532 14 52-12	Nut hex Flange Lock
50	532 11 04-52	Nut Push Phos & Oil

NOTE: All component dimensions given in U.S. inches
1 inch = 25.4 mm

TRACTOR - - MODEL NO. CTH220 TWIN (96061019001), PRODUCT NO. 960 61 01-90
MOWER



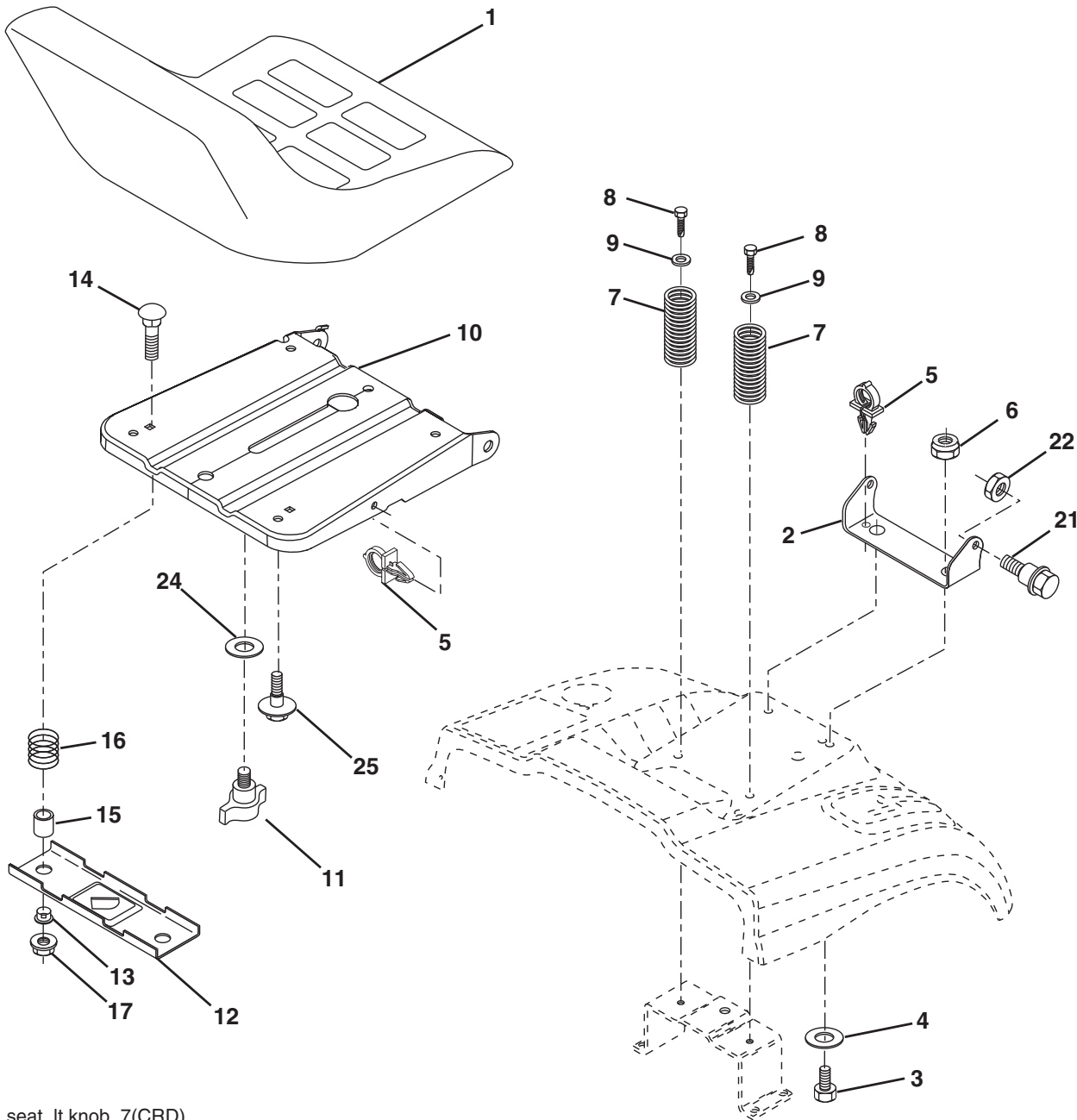
107cm_deck-elect.(CRD)_1

**TRACTOR - - MODEL NO. CTH220 TWIN (96061019001), PRODUCT NO. 960 61 01-90
MOWER**

KEY NO.	PART NO.	DESCRIPTION	KEY NO.	PART NO.	DESCRIPTION
1	532 16 91-60	Housing Asm. Mower	35	532 40 01-04	Bracket Gauge Wheel Rf
2	872 14 05-06	Bolt Rdhd Sqnk 5/16-18 unc x 3/4	36	532 14 67-63	Pulley Idler V-Groove Dim 4.25
3	532 16 55-69	Bracket Asm. S-Bar Chass	38	532 16 98-51	Spacer Hub Arm Idler
4	532 16 91-67	Bracket Bar Sway Deck	39	872 11 06-22	Bolt RhHd 3/8-16 unc x 2-3/4 GR.5
5	532 12 46-70	Retainer Spring	40	873 68 06-00	Nut Crownlock 3/8-16 unc
6	532 16 55-57	Bar Sway	41	873 90 06-00	Nut Flangelock 3/8-16 unc
8	532 18 17-12	Bolt 3/8-24 x 1.25 Gr. 8 Patched	44	532 17 55-38	Cover Mandrel Lh
9	810 03 06-00	Washer Lock Hvy 3/8 Unplated	45	532 17 55-39	Cover Mandrel Rh
11	532 18 05-83	Blade 3-1 Lh	46	532 13 77-29	Screw Thd Roll 1/4-20 x 5/8
13	532 13 76-45	Shaft Asm. W/Lower Bearing	55	532 16 98-49	Arm Idler
14	532 12 87-74	Housing Mandrel Vented (Machd)	61	532 17 51-59	Spring Tension Belt
15	532 11 04-85	Bearing Ball Mandrel	68	532 40 20-09	Hex-Belt Mower Drive
16	532 18 05-84	Blade 3-1 Rh	69	532 16 54-82	Shaft Asm W/Lwr Brg Rh Thd CRD
18	872 11 06-06	Bolt Rdhd Sqnk 3/8-16 x 3/4 Gr. 5	84	532 15 60-85	Keeper Belt Idler
19	532 13 28-27	Bolt Shoulder 5/16-18 Thd Form	116	532 19 34-06	Bolt Shoulder
20	532 18 17-13	Bolt 3/8-24 x 1.25 Gr. 8 Ptch Lhthd	117	532 17 48-73	Wheel Gage
21	873 68 05-00	Nut Crown Lock 5/16-18	118	873 90 06-00	Nut Centerlock 3/8-16 unc
22	532 16 91-65	Bracket Idler Sprr RR	119	819 13 20-12	Washer 3/8 x 7/8 x 14 Ga.
23	532 16 91-66	Bracket Idler Sprr RF	124	872 11 06-12	Bolt Carr Sh 3/8-16 x 1-1/2 GR5
24	532 16 91-70	Bracket Suspension LF	130	872 11 05-06	Bolt Rdhd sqnk 5/16-18 unc x 3/4
25	532 40 01-05	Bracket Suspension RF	131	532 16 56-61	Chute Bagger CRD 92cm
26	532 40 01-10	Brace Susp Frt CRD	161	532 18 04-24	Blade Cross LH 107
27	532 16 91-72	Bracket Asm. Susp RR	162	532 18 08-78	Adapter Weldment Blade 107
28	532 16 91-68	Bracket Asm. Susp LR	163	532 18 04-25	Blade Cross RH 107
30	532 17 39-84	Screw Thd Rolling Dod.PT Hex	164	532 12 49-37	Bearing
31	532 18 76-90	Washer Spacer Mower Vented	--	532 18 18-57	Mandrel Asm Service
32	532 17 57-07	Mandrel Pulleys	--	532 18 18-58	Mandrel Asm CRD Lh Threads VC
33	532 40 02-34	Nut Flg Top Lock	--	532 18 17-70	Replacement Mower Complete
34	532 40 01-03	Bracket Gauge Wheel Lf			

NOTE: All component dimensions given in U.S. inches
1 inch = 25.4 mm

**TRACTOR - - MODEL NO. CTH220 TWIN (96061019001), PRODUCT NO. 960 61 01-90
SEAT ASSEMBLY**



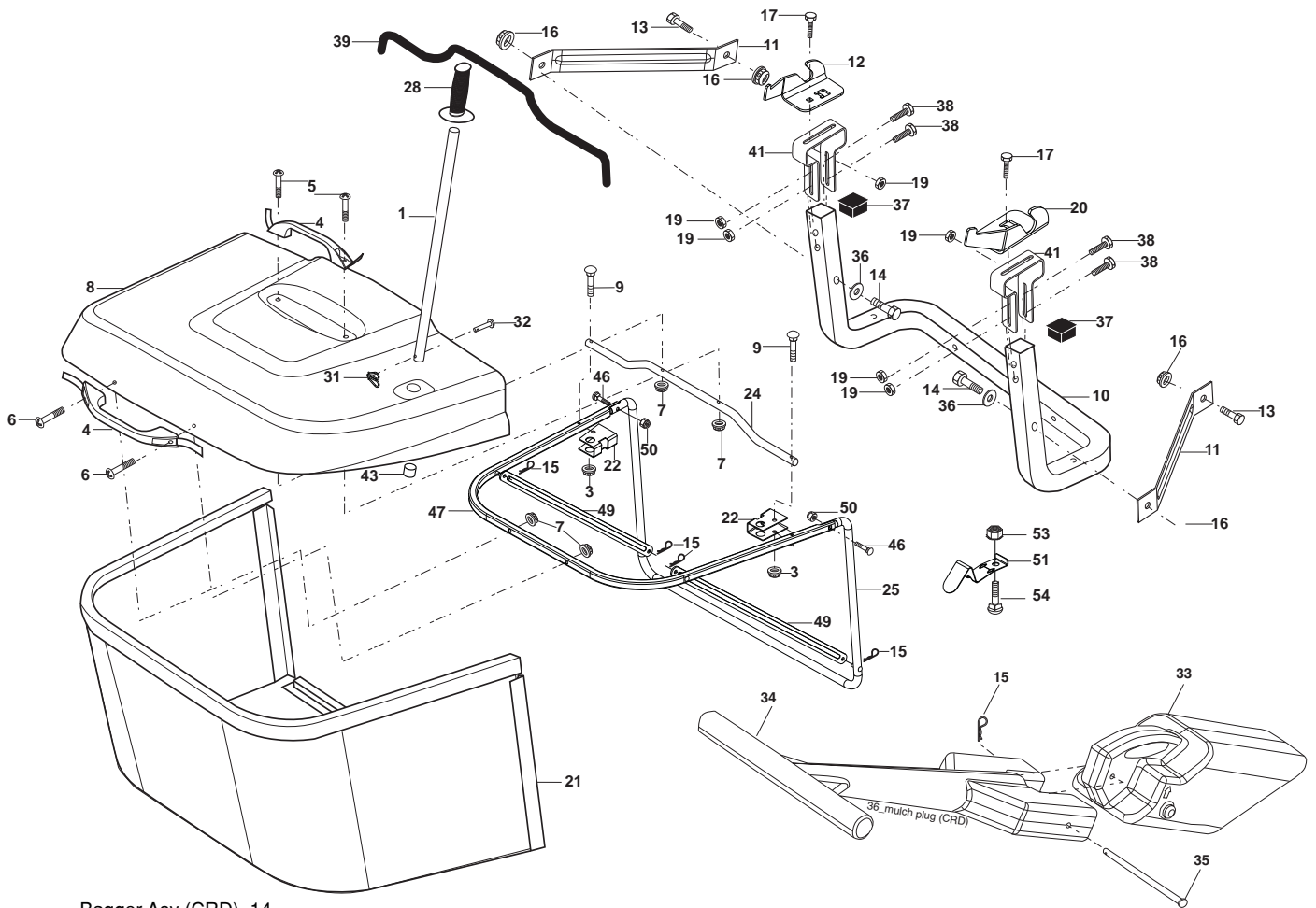
seat_lt.knob_7(CRD)

KEY NO.	PART NO.	DESCRIPTION
1	532 18 87-15	Seat
2	532 14 05-51	Bracket Pnt Pivot Seat (blk)
3	871 11 06-16	Bolt Fin Hex 3/8-16 x 1
4	819 13 16-10	Washer Flat 13/32 x 1 x 10 Ga.
5	532 14 50-06	Clip Push In Hinged
6	873 80 06-00	Nut Lock Hex W/Ins 3/8-16
7	532 12 41-81	Spring Seat Cprsn 2 250 Blk Zi
8	817 00 06-16	Screw 3/8-16 x 1.5
9	819 13 16-14	Washer 13/32 x 1 x 14 Ga
10	532 19 55-30	Pan Pnt Seat
11	532 16 63-69	Knob Seat Adj. Wingnut
12	532 17 46-48	Bracket Pnt Mounting Switch

KEY NO.	PART NO.	DESCRIPTION
13	532 12 12-48	Bushing Snap Blk Nyl 50 Id
14	872 05 04-12	Bolt Rdhd Sht Nk 1/4-20 x 1-1/2
15	532 12 12-49	Spacer Split
16	532 12 37-40	Spring Cprsn
17	532 12 39-76	Nut Lock 1/4 Lge Flg Gr. 5 Zinc
21	532 17 18-52	Bolt Shoulder 5/16-18 unc-2A
22	873 80 05-00	Nut Hex Lock w/Ins 5/16-18
24	819 17 19-12	Washer 17/32 x 1-3/16 x 12 Ga.
25	532 12 70-18	Bolt Shoulder 5/16-18 x 62

NOTE: All component dimensions given in U.S. inches.
1 inch = 25.4 mm

**TRACTOR - - MODEL NO. CTH220 TWIN (96061019001), PRODUCT NO. 960 61 01-90
BAGGER**



Bagger Asy (CRD)_14

KEY NO.	PART NO.	DESCRIPTION	KEY NO.	PART NO.	DESCRIPTION
1	532 16 52-49	Tube Handle Bagger CRD	24	532 16 57-83	Tube Pivot Bagger CRD
3	532 12 39-76	Nut Lock 1/4 Lge Flg Gr. 5 Zinc	25	532 19 37-05	Tube Front Bagger
4	532 16 99-16	Handle Bagger w/Lvrs Blk CRD	28	532 16 57-87	Grip Handle
5	874 98 10-24	Screw Pan Head #10-24 x 1.50 Blk	31	532 16 94-84	Retainer Clip
6	874 98 10-32	Screw Pan Hd	32	532 12 68-75	Rivet Rd Hd Drilled 3/8 Dia
7	873 40 10-00	Nut Wiz Lock Hex Serr/Hd 10-24	33	532 16 93-80	Plug Mulcher
8	532 18 10-95	Cover Bagger	34	532 16 55-70	Handle Mulcher
9	872 14 04-18	Bolt Carriage 1/4-20 x 2.25d x Gr. 5	35	532 16 55-72	Pin Mulcher
10	532 18 12-82	Tube Support Bagger CRD	36	819 13 20-12	Washer 13/32 x 1-1/4 x 12 Ga.
11	532 16 57-19	Bracket Support Upper Bag CRD	37	532 17 54-01	Plug Support Bagger CRD
12	532 18 88-48	Bracket Pivot LH	38	872 01 05-20	Bolt 5/16-18 x 2-1/2
13	874 76 06-12	Bolt Fin Hex 3/8-16 unc x 3/4	39	532 18 09-85	Seal
14	874 52 06-36	bolt Fin Hex 3/8-16 x 2-1/4 Gr.5	41	532 16 96-83	Bracket Pnt Adj Pvt Bagger CRD
15	532 12 46-70	Retainer Spring	43	532 17 40-83	Plug Tubing End
16	873 90 06-00	Nut Lock 3/8-16 unc	46	872 11 05-10	Bolt 5/16-18 x 1-1/4
17	872 14 05-06	Bolt Rdhd Sht Sqnk 5/16 -18 unc x 3/4	47	532 19 37-04	Tube Upper Bagger
19	873 90 05-00	Nut Lock Hex Flange 5/16-18	49	532 19 33-05	Bar Spreader
20	532 18 88-47	Bracket Pivot Rh	50	873 80 05-00	Nut 5/16-18
21	532 40 61-80	Bag Asm CRD	51	532 19 99-03	Latch Spring Bagger
22	532 16 57-81	Bracket Side Bagger CRD	53	873 51 04-00	Nut 1/4-20 unc
			54	872 14 04-06	Bolt 1/4-20 x 3/4 Gr.5

NOTE: All component dimensions given in U.S. inches
1 inch = 25.4 mm