

# CTH2542 Twin

**Spare parts**

**Ersatzteile**

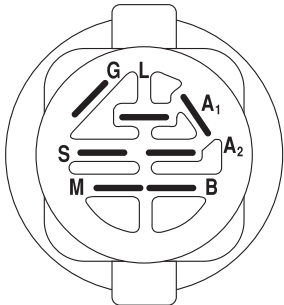
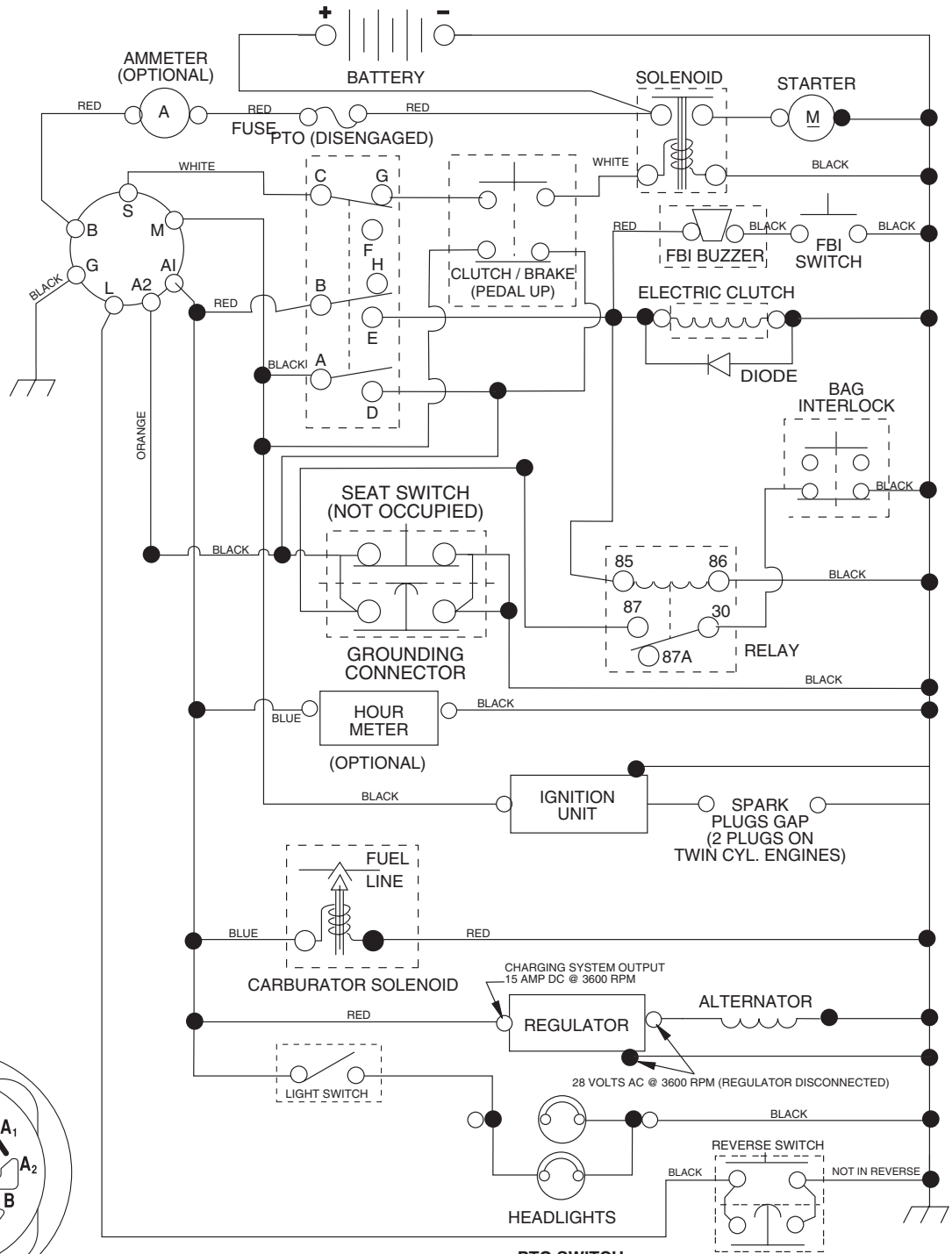
**Pièces détachées**

**Reserve onderdelen**

**Repuestos**

**Reservdelar**

# TRACTOR- -MODEL NO. CTH2542 TWIN (96061021800), PRODUCT NO. 960 61 02-18 SCHEMATIC



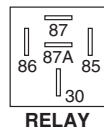
**IGNITION SWITCH**

| POSITION     | CIRCUIT    | "MAKE" |
|--------------|------------|--------|
| OFF          | M+G+A1     |        |
| RUN/OVERRIDE | B+A1       |        |
| RUN          | B+A1       | L+A2   |
| START        | B + S + A1 |        |

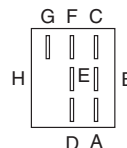
03048

**WIRING INSULATED CLIPS**  
NOTE: IF WIRING INSULATED CLIPS WERE REMOVED FOR SERVICING OF UNIT, THEY SHOULD BE REPLACED TO PROPERLY SECURE YOUR WIRING.

| POSITION | CIRCUIT             |
|----------|---------------------|
| OFF      | C + G, B + H        |
| ON       | C + F, B + E, A + D |



**RELAY**



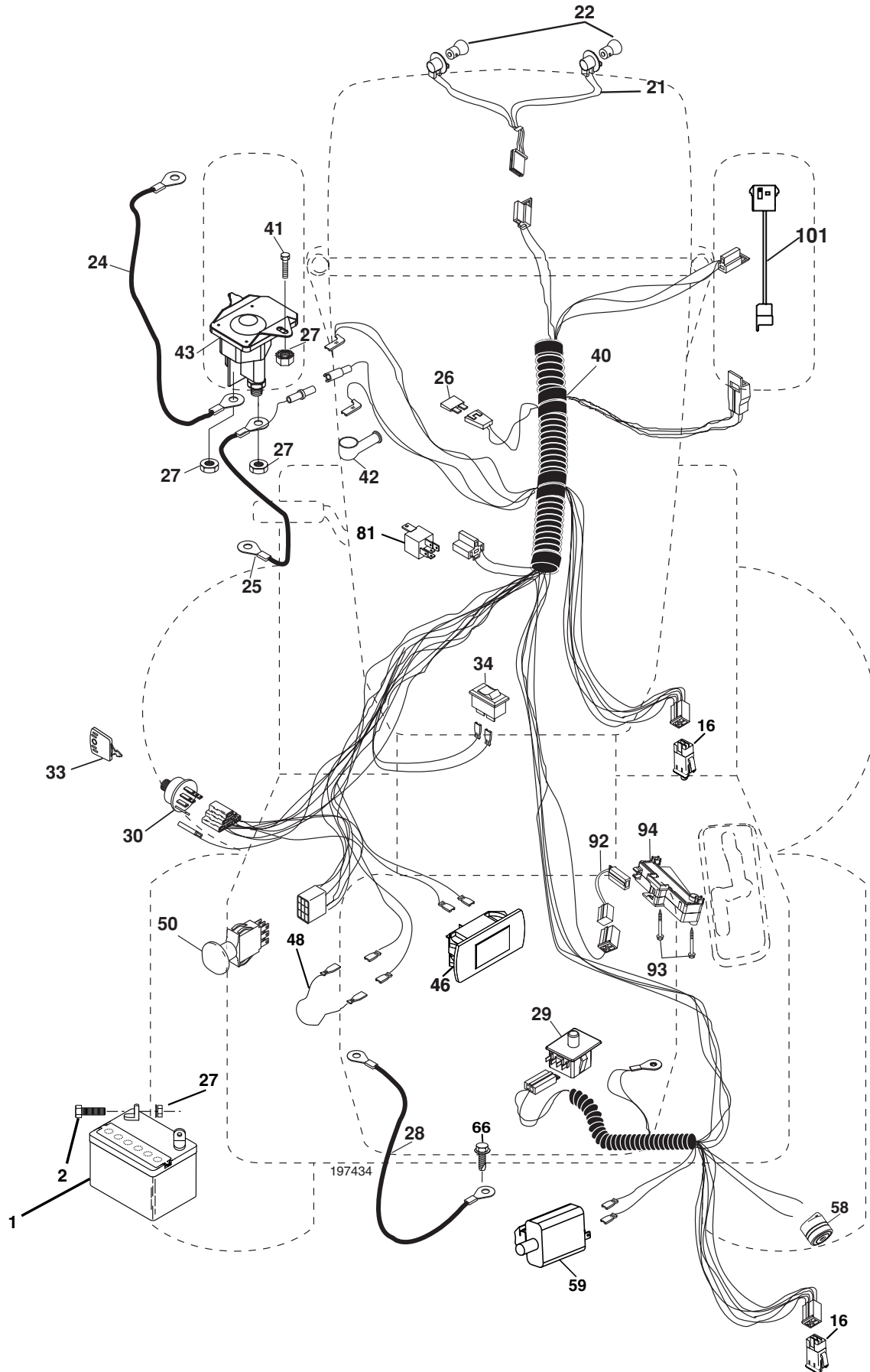
**PTO SWITCH**

●  
NON-REMOVABLE CONNECTIONS

○  
REMOVABLE CONNECTIONS

# REPAIR PARTS

TRACTOR- -MODEL NO. CTH2542 TWIN (96061021800), PRODUCT NO. 960 61 02-18  
ELECTRICAL



# REPAIR PARTS

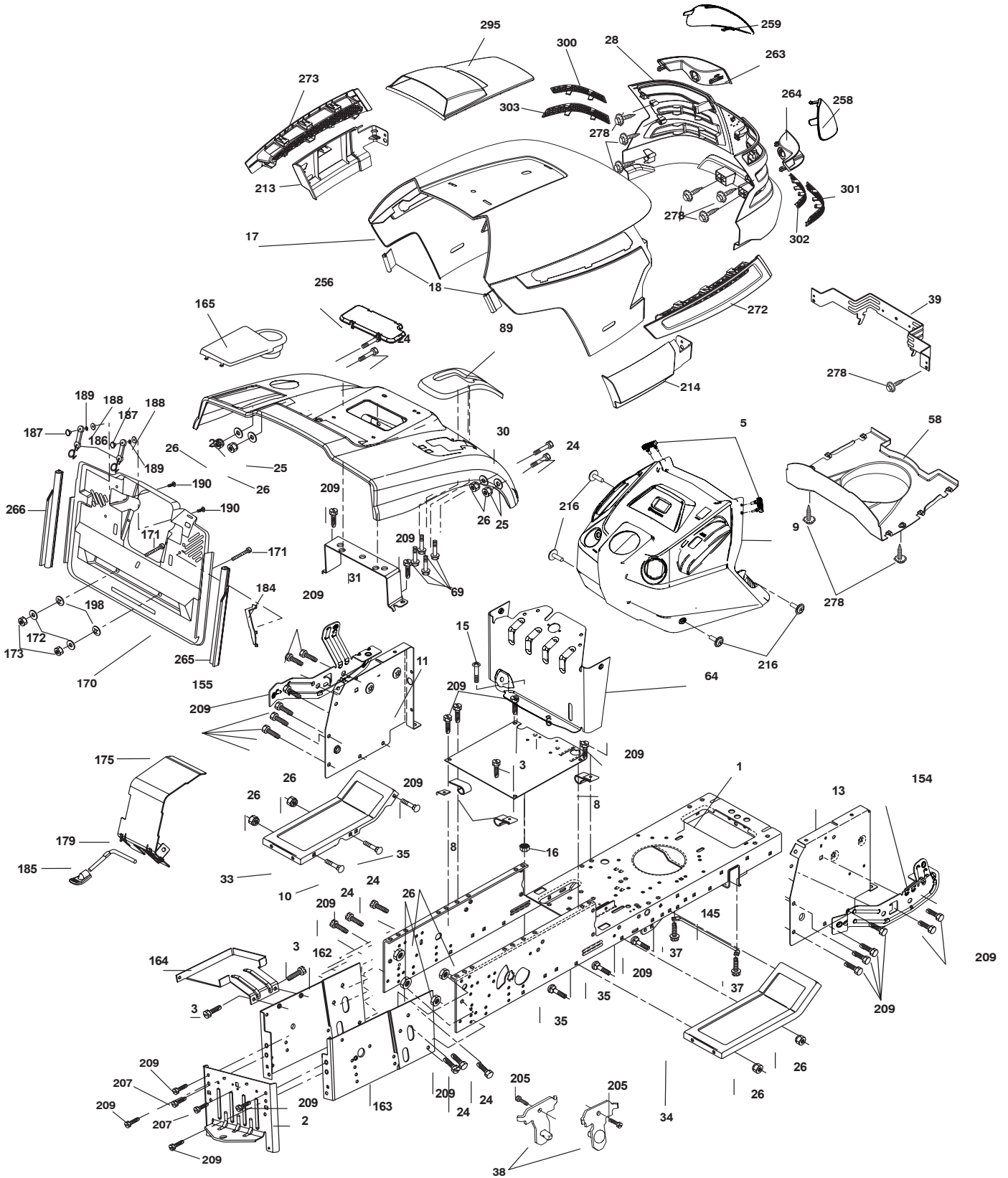
TRACTOR- -MODEL NO. CTH2542 TWIN (96061021800), PRODUCT NO. 960 61 02-18  
ELECTRICAL

| KEY NO. | PART NO.     | DESCRIPTION                       |
|---------|--------------|-----------------------------------|
| 1       | 532 14 49-27 | Battery                           |
| 2       | 874 76 04-12 | Bolt Hex Hd 1/4-20 unc x 3/4      |
| 16      | 532 17 61-38 | Switch Interlock                  |
| 21      | 532 18 37-59 | Harness Asm Light W/4152J         |
| 22      | 532 00 41-52 | Bulb Light                        |
| 24      | 532 10 84-23 | Cable Starter 6 Ga. 11" Red       |
| 25      | 532 16 59-87 | Cable Battery Crd 56" Red         |
| 26      | 532 17 51-58 | Fuse                              |
| 27      | 873 51 04-00 | Nut Keps Hex 1/4-20 unc           |
| 28      | 532 12 77-25 | Cable Ground 6 Ga. 18" Black      |
| 29      | 532 19 27-49 | Switch Seat                       |
| 30      | 532 19 33-50 | Switch Ignition                   |
| 33      | 532 14 04-01 | Key Ign Molded                    |
| 34      | 532 11 07-12 | Switch Light                      |
| 40      | 532 19 74-34 | Harness Ign                       |
| 41      | 871 11 04-08 | Bolt Flk Fin Hex 1/4-20 unc x 1/2 |
| 42      | 532 13 15-63 | Cover Terminal Red                |
| 43      | 532 19 25-07 | Solenoid                          |
| 46      | 532 40 17-63 | Guage Hourmeter                   |
| 48      | 532 40 17-63 | Adapter Ammeter Rectangular       |
| 50      | 532 17 46-51 | Switch PTO                        |
| 58      | 532 16 94-19 | Buzzer Crd                        |
| 59      | 532 18 03-79 | Switch FBI CRD                    |
| 66      | 817 49 06-08 | Screw Thdrol 3/8-16 x 1/2 Ty-Tt   |
| 81      | 532 10 97-48 | Relay Asm                         |
| 92      | 532 19 66-15 | Harness Pigtail                   |
| 93      | 532 19 25-40 | Screw Plastite 10-14 x 2.0        |
| 94      | 532 19 18-34 | Module Reverse                    |
| 101     | 532 19 83-17 | Pigtail MATNLK                    |

**NOTE:** All component dimensions given in U.S. inches.  
1 inch = 25.4 mm.

# REPAIR PARTS

TRACTOR- -MODEL NO. CTH2542 TWIN (96061021800), PRODUCT NO. 960 61 02-18  
CHASSIS AND ENCLOSURES



# REPAIR PARTS

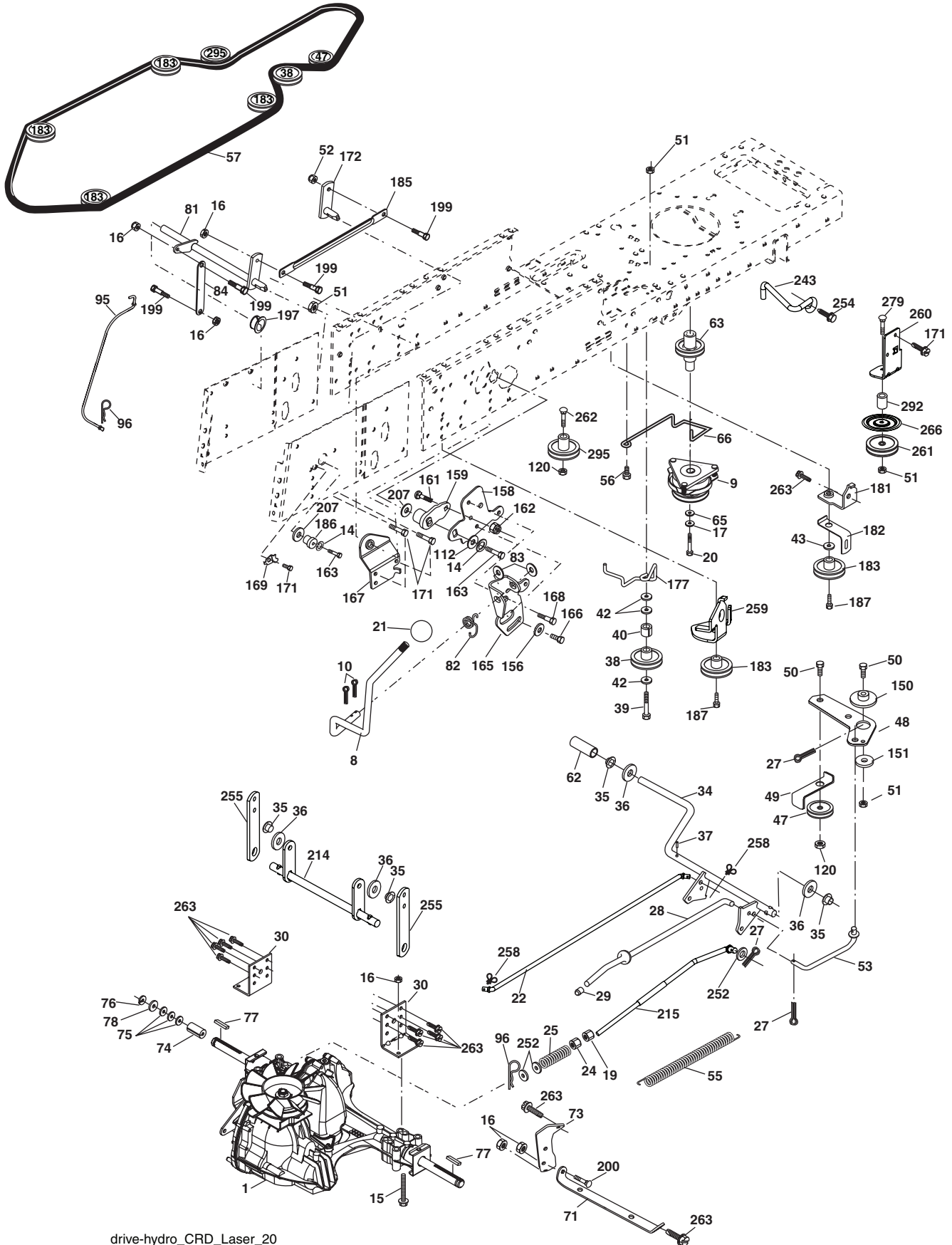
## TRACTOR- -MODEL NO. CTH2542 TWIN (96061021800), PRODUCT NO. 960 61 02-18 CHASSIS AND ENCLOSURES

| KEY NO. | PART NO.     | DESCRIPTION                              | KEY NO. | PART NO.     | DESCRIPTION                            |
|---------|--------------|--|---------|--------------|--|
| 1       | 532 17 46-20 | Chassis                                  | 165     | 532 18 11-00 | Cover Battery                          |
| 2       | 532 18 03-84 | Drawbar                                  | 170     | 532 19 94-88 | Backplate CRD                          |
| 3       | 817 06 06-12 | Screw 3/8-16 x 3/4                       | 171     | 872 14 06-20 | Bolt Rdhd Sqnk<br>3/8-16 x 2-1/2 Gr. 5 |
| 5       | 532 40 75-90 | Bumper Hood/Dash                         | 172     | 819 13 20-16 | Washer 13/32 x 1-1/4 x 16 Ga.          |
| 6       | 532 18 44-19 | Saddle                                   | 173     | 873 51 06-00 | Nut, Keps Hex 3/8-16 unc               |
| 8       | 532 12 64-71 | Clip Insulator 13/32 Mtg. Hole           | 175     | 532 18 82-03 | Guard Trap                             |
| 9       | 532 40 89-11 | Dash Upper                               | 179     | 532 18 82-02 | Rod Pivot FBI CRD                      |
| 10      | 872 14 06-08 | Bolt, Carriage 3/8-16 x 3/4              | 184     | 532 17 46-62 | Bracket Actuator Bagger CRD            |
| 11      | 532 16 72-03 | Panel, Dash, L.H.                        | 185     | 532 18 11-01 | Knob Rod Brake Parking                 |
| 13      | 532 17 82-98 | Panel, Asm. Dash R.H.                    | 186     | 532 16 07-93 | Latch Asm Mulch/Bagger                 |
| 15      | 874 18 05-12 | Screw, Machine, THD<br>5/16-18 unc x 3/4 | 187     | 532 12 50-04 | Nut Weld                               |
| 16      | 873 51 05-00 | Nut Keps 5/16-18 unc                     | 188     | 819 06 12-16 | Washer #10                             |
| 17      | 532 41 10-46 | Hood                                     | 189     | 810 07 10-00 | Washer Lock #10                        |
| 18      | 532 40 47-42 | Bumper Hood                              | 190     | 871 08 10-10 | Screw Pan Hd Phillip 10-24 x 5/8       |
| 24      | 874 78 06-16 | Bolt                                     | 198     | 532 16 89-37 | Nut, Push                              |
| 25      | 819 13 13-12 | Washer 13/32 x 13/16 x 12 Ga.            | 205     | 817 49 06-08 | Screw Thdrol 3/8-16 x 1/2              |
| 26      | 873 80 06-00 | Nut                                      | 207     | 817 67 05-08 | Screw Thdrol 5/16-18 x 1/2             |
| 28      | 532 40 86-07 | Grille /Lens Asm                         | 209     | 817 00 06-12 | Screw Hex Wsh Thdrol 3/8-16            |
| 30      | 532 19 73-76 | Fender                                   | 213     | 532 40 17-11 | Skirt Side LH                          |
| 31      | 532 16 51-56 | Bracket, Fender Support                  | 214     | 532 40 17-09 | Skirt Side RH                          |
| 33      | 532 18 10-57 | Footrest, L.H.                           | 216     | 817 06 04-10 | Hex Tapping Screw                      |
| 34      | 532 18 10-58 | Footrest, R.H.                           | 256     | 532 18 13-61 | Cover Fender Rack                      |
| 35      | 872 11 06-06 | Bolt                                     | 258     | 532 19 89-06 | Lens RH                                |
| 37      | 817 49 05-08 | Screw Thdrol 5/16-18 x 1/2 TYT           | 259     | 532 19 89-07 | Lens LH                                |
| 38      | 532 18 17-48 | Bracket Asm Pivot Mower Rear             | 263     | 532 19 71-98 | Bezel RH                               |
| 39      | 532 41 02-50 | Bracket Pivot                            | 264     | 532 19 71-99 | Bezel LH                               |
| 58      | 532 19 85-12 | Duct Air                                 | 265     | 532 18 57-04 | Seal RH Side Bagger                    |
| 64      | 532 19 93-95 | Dash Lower                               | 266     | 532 18 57-03 | Seal LH Side Bagger                    |
| 69      | 532 14 24-32 | Screw Hx Wsh Hi-Lo 1/4-1/2               | 272     | 532 40 30-48 | Vent Hood RH                           |
| 89      | 532 19 73-77 | Console Crd Auto Grey                    | 273     | 532 40 30-76 | Vent Hood LH                           |
| 145     | 532 15 65-24 | Rod Pivot Chassis/Hood                   | 278     | 532 19 16-11 | Screw 10 x 3/4 Single Lead-Hex         |
| 154     | 532 40 86-90 | Bracket Mounting Dash RH                 | 295     | 532 40 05-39 | Vent Top Hood                          |
| 155     | 532 40 86-91 | Bracket Mounting Dash LH                 | 300     | 532 19 91-31 | Insert Tex Top LH                      |
| 162     | 532 18 03-82 | Bracket Exten Chassis Lh CRD             | 301     | 532 19 91-30 | Insert Tex Top RH                      |
| 163     | 532 18 03-83 | Bracket Exten Chassis Rh CRD             | 302     | 532 19 91-32 | Insert Tex Bottom RH                   |
| 164     | 532 16 56-05 | Support Battery CRD                      | 303     | 532 19 91-33 | Insert Tex Bottom LH                   |

**NOTE:** All component dimensions given in U.S. inches.  
1 inch = 25.4 mm.

# REPAIR PARTS

TRACTOR- -MODEL NO. CTH2542 TWIN (96061021800), PRODUCT NO. 960 61 02-18  
DRIVE





# REPAIR PARTS

TRACTOR- -MODEL NO. CTH2542 TWIN (96061021800), PRODUCT NO. 960 61 02-18  
DRIVE

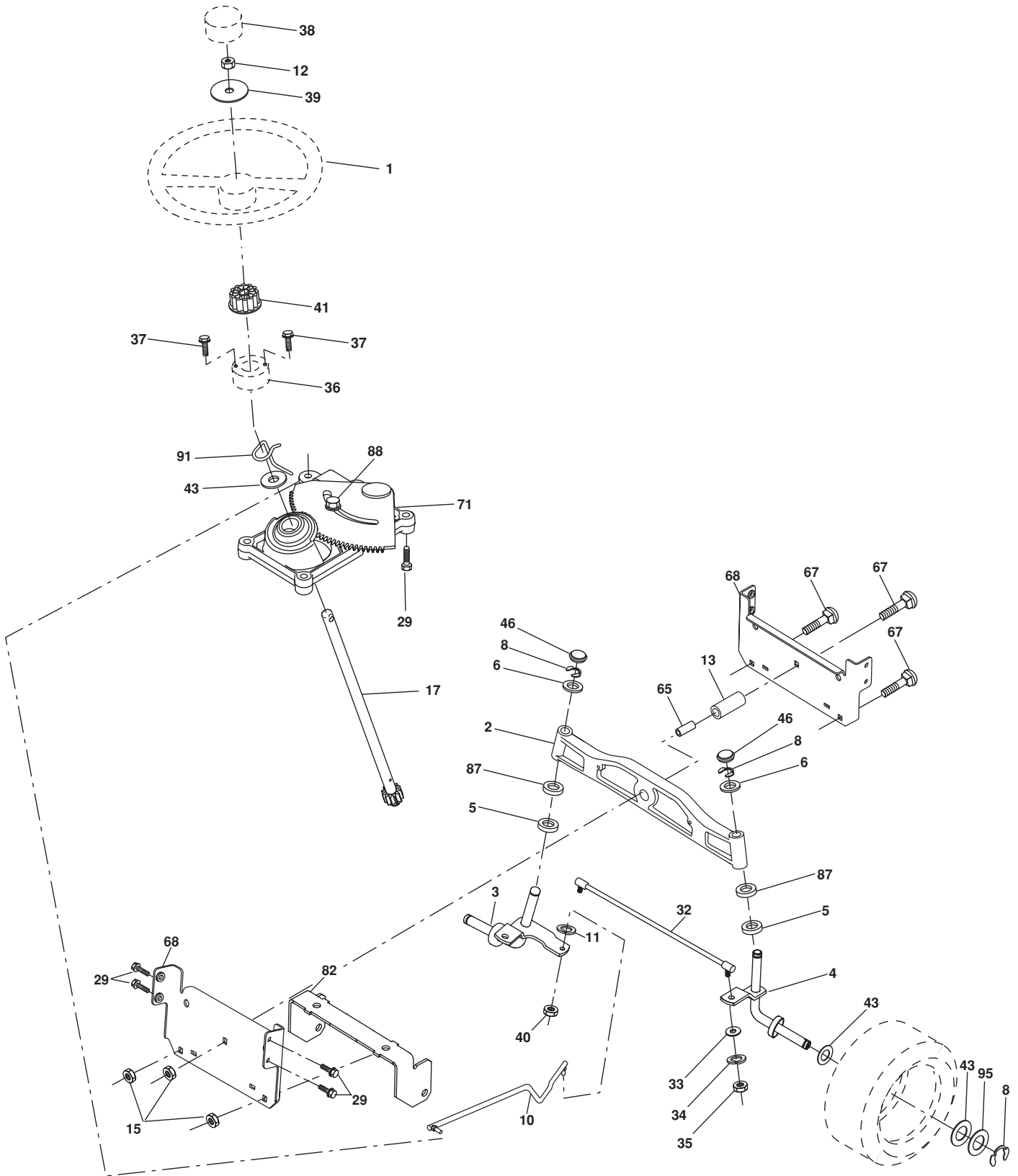
| KEY NO. | PART NO.     | DESCRIPTION  | KEY NO. | PART NO.     | DESCRIPTION                      |
|---------|--------------|--|---------|--------------|----------------------------------|
| 1       | -----        | Transaxle Hydro Gear 321-0510<br>(Order parts from transaxle manufacturer) | 83      | 819 17 12-16 | Washer 17/32 x 3/4 x 16 Ga.      |
| 8       | 532 19 27-06 | Rod, Shift Fender Adjust Lt  | 84      | 532 17 00-07 | Link, Transaxle                  |
| 9       | 532 19 81-43 | Clutch Electric  | 95      | 532 17 00-15 | Control Asm Bypass Hydro         |
| 10      | 876 02 04-16 | Pin, Cotter 1/8 x 1  | 96      | 532 12 47-88 | Spring, Retainer 1"              |
| 14      | 810 04 04-00 | Washer, Lock Hvy Helical   | 112     | 819 09 12-10 | Washer 9/32 x 3/4 x 10 Ga.       |
| 15      | 874 49 05-44 | Bolt Hex FGHD 5/16-18 x Gr 5   | 120     | 873 90 06-00 | Nut Lock Flg. 3/8-16 unc         |
| 16      | 873 80 05-00 | Nut Lock Hex W/lns 5/16-18 unc   | 150     | 532 16 58-50 | Bushing, Bellcrank Grnd Dr       |
| 17      | 532 12 61-97 | Washer 1-1/2 x 15/32 x .250  | 151     | 819 13 32-10 | Washer 13/32 x 2 x 10 Ga.        |
| 19      | 873 80 06-00 | Nut Lock Hex w/lns 3/8-16 unc  | 156     | 532 16 60-02 | Washer Srrted 5/16 ID x 1.125    |
| 20      | 532 17 39-37 | Bolt Hex 7/16-20 x 4 Gr.5  | 158     | 532 16 55-89 | Bracket Shift Mount              |
| 21      | 532 12 12-74 | Knob Duckhead 1/4-13 unc Blk   | 159     | 532 18 39-00 | Hub Shift                        |
| 22      | 532 17 56-07 | Rod Brake Main   | 161     | 872 14 04-06 | Bolt Rdhd Sqnk 1/4-20 x 3/4 Gr 5 |
| 24      | 873 35 06-00 | Nut Hex Jam 3/8-16 unc   | 162     | 873 68 04-00 | Nut Crownlock 1/4-20 unc         |
| 25      | 532 19 20-36 | Spring, Rod, Brake   | 163     | 874 78 04-16 | Bolt Hex Fin 1/4-20 unc x 1 Gr 5 |
| 27      | 876 02 04-12 | Pin, Cotter 1/8 x 3/4  | 165     | 532 16 56-23 | Bracket Pivot Lever              |
| 28      | 532 17 57-65 | Rod, Parking Brake   | 166     | 817 49 05-10 | Screw 5/16-18 x 5/8              |
| 29      | 532 07 16-73 | Cap, Parking Brake   | 167     | 532 16 55-88 | Bracket Support Shift CRD        |
| 30      | 532 16 95-92 | Bracket, Mfg. Transaxle  | 168     | 532 16 54-92 | Bolt Shoulder 5/16-18 x .561     |
| 34      | 532 17 55-78 | Shaft, Asm Pedal Foot CRD  | 169     | 532 16 55-80 | Plate Fastening Lt               |
| 35      | 532 12 01-83 | Bearing, Nylon   | 171     | 817 49 06-08 | Screw Thdrol 3/8-16 x 1/2 Ty-Tt  |
| 36      | 819 21 16-16 | Washer 21/32 x 1 x 16 Ga.  | 172     | 532 17 02-71 | Shaft Asm Shifter Frt CRD        |
| 37      | 532 12 49-63 | Pin, Roll 3/16 x 1"  | 177     | 532 16 59-32 | Keeper Flat Idler 3.06" CRD      |
| 38      | 532 16 59-36 | Pulley Flat Composite 3.06"  | 181     | 532 18 02-11 | Bracket Idler Ground Drive CRD   |
| 39      | 874 76 06-44 | Bolt Fin Hex 3/8-16 unc x 2-3/4  | 182     | 532 18 26-82 | Keeper Belt 2.5" Od V-Idler CRD  |
| 40      | 532 12 49-65 | Spacer, Split 395 x 59 Bzp   | 183     | 532 19 95-32 | Pulley V-Idler 2.50" Od CRD      |
| 42      | 819 13 13-12 | Washer 13/32 x 13/16 x 12 Ga.  | 185     | 532 17 00-08 | Link Shift                       |
| 43      | 819 11 10-12 | Washer 11/32 x 5/8 x 12 Ga.  | 186     | 532 16 56-14 | Hub Tapered Round CRD            |
| 47      | 532 12 77-83 | Pulley, Idler, V Groove Plastic  | 187     | 817 58 05-20 | Screw Thdrol 5/16-18 x 1.25      |
| 48      | 532 15 44-07 | Bellcrank Clutch Grnd Drv  | 197     | 532 16 96-13 | Nyliner Snap-In 5/8              |
| 49      | 532 12 32-05 | Retainer, Belt Style Spring  | 199     | 532 16 96-12 | Bolt Shoulder 5/16-18UNC         |
| 50      | 872 11 06-12 | Bolt Carr. Sh. 3/8-16 x 1-1/2 Gr. 5  | 200     | 872 14 05-08 | Bolt RDHD SQNK 5/16-18 x 1       |
| 51      | 873 68 06-00 | Nut, Crownlock 3/8-16 unc  | 207     | 532 16 98-45 | Washer Nylon Rear                |
| 52      | 873 68 05-00 | Nut Crownlock 5/16-18  | 214     | 532 17 56-09 | Shaft Asm. Brake                 |
| 53      | 532 19 96-52 | Link, Clutch 7.66  | 215     | 532 17 56-52 | Rod Brake Hydro                  |
| 55      | 532 10 57-09 | Spring, Return, Clutch   | 243     | 532 19 07-36 | Bracket Anti Rotation            |
| 56      | 817 06 06-20 | Screw 3/8-16 x 1-1/4   | 252     | 819 13 16-16 | Washer 13/32 x 1 x 16 Ga.        |
| 57      | 532 17 01-40 | V-Belt Kev 112" 0650 CRD   | 254     | 817 00 06-16 | Screw 3/8-16 x 1                 |
| 62      | 532 12 48-72 | Cover, Pedal   | 255     | 532 17 56-08 | Brace Shaft Brake Mtg.           |
| 63      | 532 18 03-97 | Pulley Engine  | 258     | 532 17 80-62 | Clip Retainer                    |
| 65      | 810 04 07-00 | Washer   | 259     | 532 18 02-12 | Bracket Pulley                   |
| 66      | 532 15 47-78 | Keeper, Belt Engine F-Proof  | 260     | 532 19 76-07 | Bracket Idler Chassis            |
| 71      | 532 16 91-83 | Strap, Torque, Lh  | 261     | 532 13 14-94 | Pulley Idler                     |
| 73      | 532 16 91-82 | Strap, Torque, Rh  | 262     | 872 11 06-22 | Bolt Carr. 3/8-16 x 2-3/4 Gr.5   |
| 74      | 532 13 70-57 | Spacer, Split  | 263     | 817 00 06-12 | Screw 3/8-16 x 3/4               |
| 75      | 532 12 17-49 | Washer 25/32 x 1-1/4 x 16 Ga.  | 266     | 532 18 20-61 | Shield Idler Mower               |
| 76      | 812 00 00-01 | Ring, E  | 279     | 872 11 06-16 | Bolt 3/8-16 UNC x 2              |
| 77      | 532 12 35-83 | Key, Square  | 292     | 532 40 02-71 | Spacer                           |
| 78      | 532 12 17-48 | Washer 25/32 x 1-5/8 x 16 Ga.  | 295     | 532 17 91-14 | Pulley Idler Composite           |
| 81      | 532 17 00-06 | Asm, Shaft,Cross Rear  |         |              |                                  |
| 82      | 532 16 57-11 | Spring, Torsion  |         |              |                                  |

**NOTE:** All component dimensions given in U.S. inches  
1 inch = 25.4 mm



# REPAIR PARTS

TRACTOR- -MODEL NO. CTH2542 TWIN (96061021800), PRODUCT NO. 960 61 02-18  
STEERING ASSEMBLY



# REPAIR PARTS

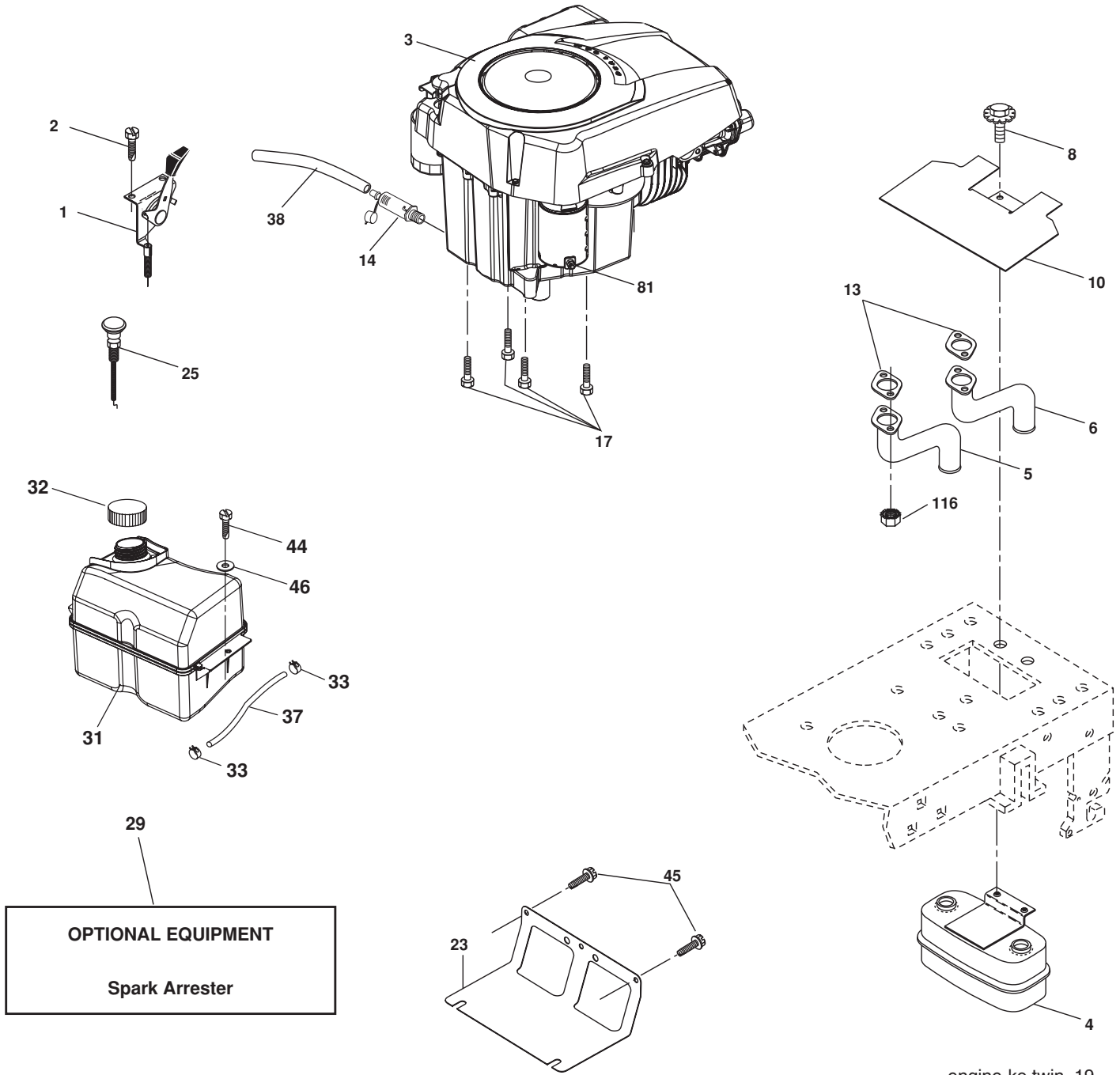
TRACTOR- -MODEL NO. CTH2542 TWIN (96061021800), PRODUCT NO. 960 61 02-18  
STEERING ASSEMBLY

| KEY NO. | PART NO.     | DESCRIPTION                        |
|---------|--------------|------------------------------------|
| 1       | 532 19 36-51 | Steering Wheel                     |
| 2       | 532 18 47-06 | Axle Asm Cast Iron Lt              |
| 3       | 532 16 98-40 | Spindle Assembly, L.H.             |
| 4       | 532 16 98-39 | Spindle Assembly, R.H.             |
| 5       | 532 12 49-31 | Bearing, Race, Thrust, Hardened    |
| 6       | 532 12 17-48 | Washer 25/32 x 1-5/8 x 16 Ga.      |
| 8       | 812 00 00-29 | Ring, Klip                         |
| 10      | 532 17 51-21 | Link, Drag                         |
| 11      | 810 04 06-00 | Washer, Lock                       |
| 12      | 873 94 08-00 | Nut Hex Jam Toplock 1/2-20 unf     |
| 13      | 532 13 65-18 | Spacer Brg Axle Front              |
| 15      | 532 14 52-12 | Nut Hex Flange Lock                |
| 17      | 532 17 78-83 | Shaft, Steering                    |
| 29      | 817 00 06-12 | Screw 3/8-16 x 3/4                 |
| 32      | 532 17 18-88 | Rod, Tie                           |
| 33      | 819 11 12-16 | Washer 11/32 x 3/4 x 16 Ga.        |
| 34      | 810 04 05-00 | Washer Lock Hvy Hlcl Spr 5/16      |
| 35      | 873 54 05-00 | Crownlock Nut 5/16-24 unf 3847     |
| 36      | 532 15 51-05 | Bushing, Steering                  |
| 37      | 532 15 29-27 | Screw TT #10-32 x 5 x 3/8 Flange   |
| 38      | 532 19 36-52 | Cap Wheel Steering                 |
| 39      | 819 18 38-12 | Washer 9/16ID x 2- 3/8 OD x 12 Ga. |
| 40      | 873 54 06-00 | Nut Lock 3/8-24                    |
| 41      | 532 18 67-37 | Adaptor, Steering Wheel            |
| 43      | 532 12 17-49 | Washer 25/32 x 1-1/4 x 16 Ga.      |
| 46      | 532 12 12-32 | Cap, Spindle                       |
| 65      | 532 16 03-67 | Spacer Brace Axle                  |
| 67      | 872 11 06-18 | Bolt Rdhd Sqnk 3/8-16 x 2-1/4      |
| 68      | 532 16 98-27 | Brace Axle                         |
| 71      | 532 17 51-46 | Steering Asm.                      |
| 82      | 532 19 99-78 | Bracket Susp Chassis Front         |
| 87      | 532 17 39-66 | Washer Flat .781 x 1 1/2 x .14     |
| 88      | 532 17 51-18 | Bolt Shoulder 7/16-20 unc          |
| 91      | 532 17 55-53 | Clip Steering                      |
| 95      | 532 18 89-67 | Washer                             |

**NOTE:** All component dimensions given in U.S. inches.  
1 inch = 25.4 mm.

# REPAIR PARTS

TRACTOR- -MODEL NO. CTH2542 TWIN (96061021800), PRODUCT NO. 960 61 02-18  
ENGINE



# REPAIR PARTS

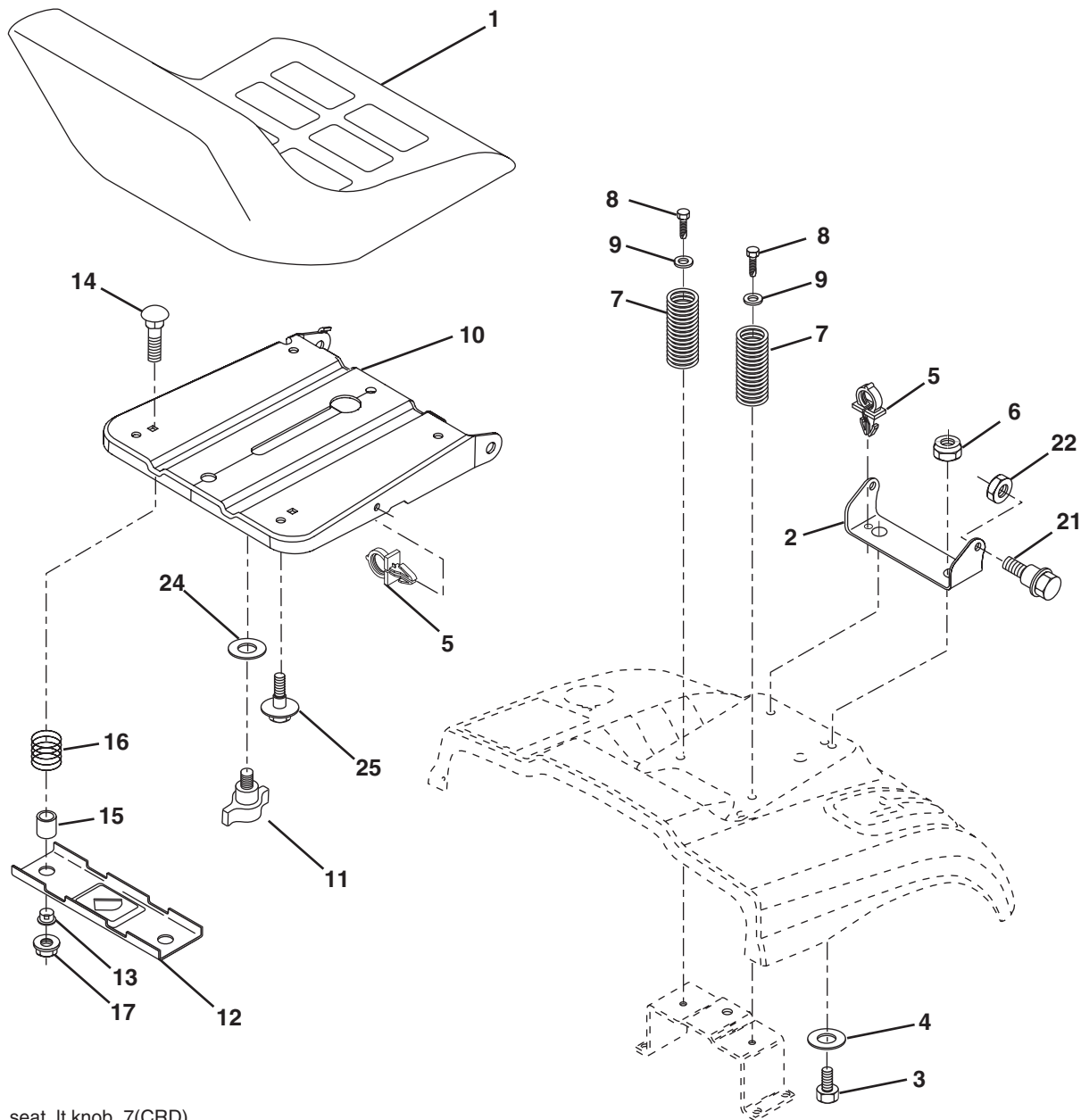
TRACTOR- -MODEL NO. CTH2542 TWIN (96061021800), PRODUCT NO. 960 61 02-18  
ENGINE

| KEY NO. | PART NO.     | DESCRIPTION   |
|---------|--------------|---|
| 1       | 532 18 29-37 | Control Throt   |
| 2       | 532 19 16-11 | Screw 10 x 3/4 Single Lead Hex                                |
| 3       | -----        | Engine Kohler SV730<br>(Order Parts from Engine Manufacturer) |
| 4       | 532 14 97-23 | Muffler Exhaust   |
| 5       | 532 14 66-99 | Tube, Exhaust Lh  |
| 6       | 532 14 67-00 | Tube, Exhaust Rh  |
| 8       | 532 17 18-77 | Bolt 5/16-18 x 3/4  |
| 10      | 532 14 66-29 | Shield Browning Intek   |
| 13      | -----        | Gasket (Order Parts from Engine Manufacturer)                 |
| 14      | 532 14 84-56 | Tube Drain Oil Easy   |
| 17      | 171 12 06-16 | Screw 3/8-16 x 1-1/4  |
| 23      | 532 16 98-37 | Shield Browning/Debris Guard                                  |
| 25      | 532 18 95-41 | Choke Control   |
| 29      | 532 13 71-80 | Arrestor Spark  |
| 31      | 532 40 74-89 | Tank Fuel   |
| 32      | 532 19 77-25 | Cap Asm Fule Top  |
| 33      | 532 12 34-87 | Clamp Hose Blk  |
| 37      | 532 13 70-40 | Line Fuel 20"   |
| 38      | 532 18 16-54 | Plug Drain Oil Easy   |
| 44      | 817 67 04-12 | Screw Hexwsh Thdrol 1/4-20 x 3/4                              |
| 45      | 817 00 06-12 | Screw Hexwsh Thdr 3/8-16 x 3/4                                |
| 46      | 819 09 14-16 | Washer 9/32 x 7/8 x 16ga                                      |
| 81      | 873 51 04-00 | Nut Keps 1/4-20 unc   |
| 116     | 532 18 43-62 | Nut Hex Flange Toplock M8-1.25                                |

**NOTE:** All component dimensions given in U.S. inches  
1 inch = 25.4 mm

# REPAIR PARTS

TRACTOR- -MODEL NO. CTH2542 TWIN (96061021800), PRODUCT NO. 960 61 02-18  
SEAT ASSEMBLY



seat\_it.knob\_7(CRD)

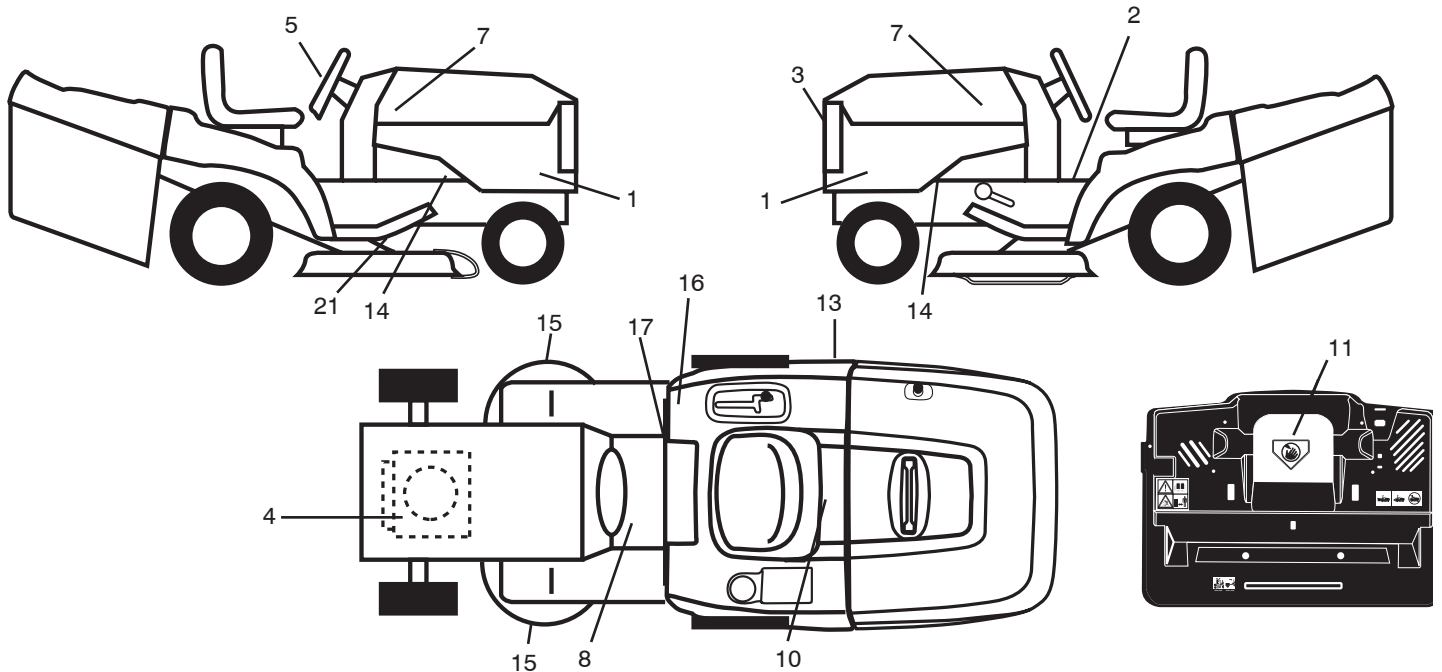
| KEY NO. | PART NO.     | DESCRIPTION                    |
|---------|--------------|--------------------------------|
| 1       | 532 18 87-15 | Seat                           |
| 2       | 532 14 05-51 | Bracket Pnt Pivot Seat (blk )  |
| 3       | 871 11 06-16 | Bolt Fin Hex 3/8-16 x 1        |
| 4       | 819 13 16-10 | Washer Flat 13/32 x 1 x 10 Ga. |
| 5       | 532 14 50-06 | Clip Push In Hinged            |
| 6       | 873 80 06-00 | Nut Lock Hx w/Ins. 3/8-16      |
| 7       | 532 12 41-81 | Spring Seat Cprsn 2 250 Blk Zi |
| 8       | 817 00 06-16 | Screw 3/8-16 x 1-1/2           |
| 9       | 819 13 16-14 | Washer 13/32 x 1 x 14 Ga.      |
| 10      | 532 19 55-30 | Pan Pnt Seat                   |
| 11      | 532 16 63-69 | Knob Seat Adj. Wingnut         |
| 12      | 532 17 46-48 | Bracket Pnt Mounting Switch    |

| KEY NO. | PART NO.     | DESCRIPTION                     |
|---------|--------------|---------------------------------|
| 13      | 532 12 12-48 | Bushing Snap Blk Nyl 50 Id      |
| 14      | 872 05 04-12 | Bolt Rdhd Sht Nk 1/4-20 x 1-1/2 |
| 15      | 532 12 12-49 | Spacer Split                    |
| 16      | 532 12 37-40 | Spring Cprsn Plate              |
| 17      | 532 12 39-76 | Nut Lock 1/4 Lge Flg Gr 5 Zinc  |
| 21      | 532 17 18-52 | Bolt Shoulder 5/16-18 unc-2A    |
| 22      | 873 80 05-00 | Nut Hex Lock w/Ins 5/16-18      |
| 24      | 819 17 19-12 | Washer 17/32 x 1-3/16 x 12 Ga.  |
| 25      | 532 12 70-18 | Bolt Shoulder 5/16-18 x 62      |

**NOTE:** All component dimensions given in U.S. inches.  
1 inch = 25.4 mm

# REPAIR PARTS

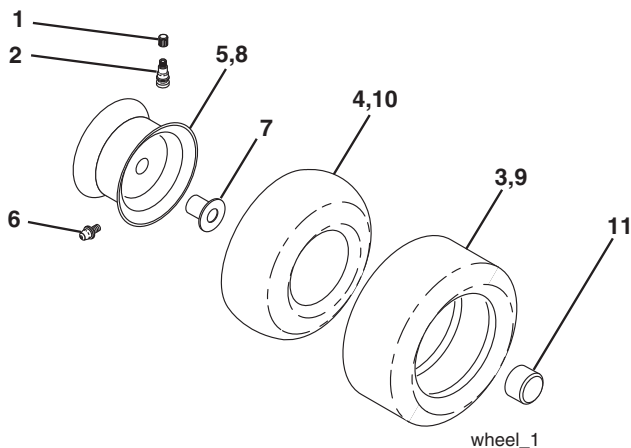
TRACTOR- -MODEL NO. CTH2542 TWIN (96061021800), PRODUCT NO. 960 61 02-18  
DECALS



| KEY NO. | PART NO.     | DESCRIPTION                    |
|---------|--------------|--------------------------------|
| 1       | 532 41 00-51 | Decal, Side Panel              |
| 2       | 532 40 03-89 | Decal, Warning Symbols CE      |
| 3       | 532 40 21-28 | Decal, Hood, Top               |
| 4       | 532 19 68-41 | Decal, Warning Engine Sym.     |
| 5       | 532 40 44-84 | Decal, Wheel Logo              |
| 7       | 532 40 28-32 | Decal, Hood Rh/LH              |
| 8       | 532 15 97-37 | Decal, Brake/Clutch Symbol     |
| 10      | 532 14 50-05 | Decal, Bat Dan/Poi P/L Sym Wpn |
| 11      | 532 18 21-66 | Decal, Mower Cut Finger Symbol |
| 13      | 532 12 44-33 | Decal, 80 DBA                  |

| KEY NO. | PART NO.     | DESCRIPTION                 |
|---------|--------------|-----------------------------|
| 14      | 532 15 97-36 | Decal, Chassis Hot Muffler  |
| 15      | 532 19 68-42 | Decal, Warning Cut Finger   |
| 16      | 532 16 88-69 | Decal, Tick Mark            |
| 17      | 532 14 08-37 | Decal, Saddle Brake Parking |
| 21      | 532 16 62-86 | Decal, Deck Sch 92 CRD      |
| --      | 532 18 19-16 | Pad Footrest LH             |
| --      | 532 18 19-17 | Pad Footrest RH             |
| --      | 532 16 69-60 | Decal, Bypass               |
| --      | 532 41 01-56 | Manual Owner's(English)     |

## WHEELS & TIRES

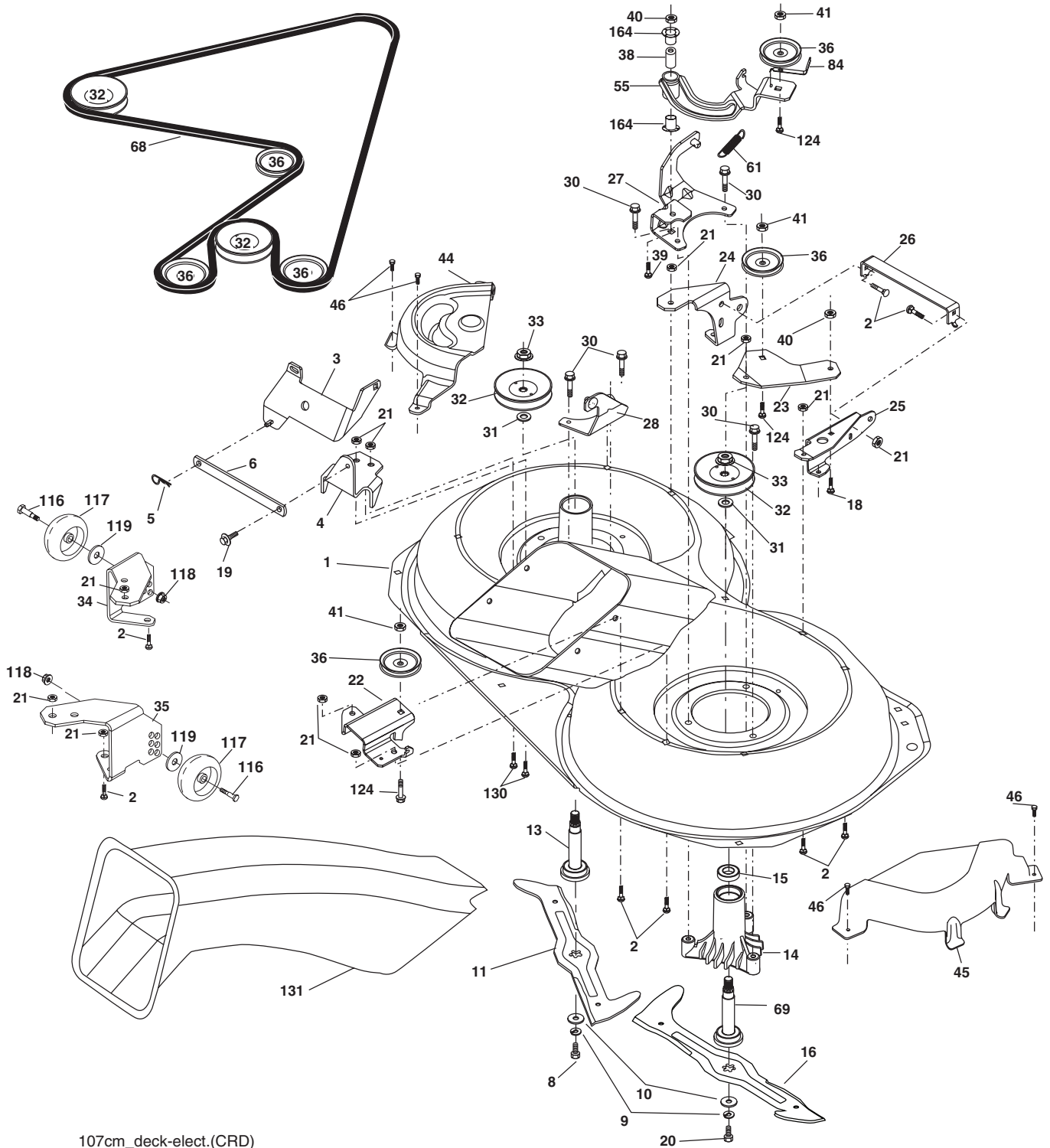


| KEY NO. | PART NO.     | DESCRIPTION                    |
|---------|--------------|--------------------------------|
| 1       | 532 05 91-92 | Cap Value Tire                 |
| 2       | 532 06 51-39 | Stem Value                     |
| 3       | 532 10 62-22 | Tire F Ts 15 x 6 0 - 6 Service |
| 4       | 532 05 99-04 | Tube Inner Front #35060        |
| 5       | 532 13 83-36 | Rim Asm 6" front Service       |
| 6       | 532 12 49-57 | Fitting Grease                 |
| 7       | 532 12 49-59 | Bearing Flange                 |
| 8       | 532 13 83-37 | Rim Asm 8" rear Service        |
| 9       | 532 12 20-82 | Tire R Ts 20 x 10-8 Service    |
| 10      | 532 12 49-26 | Tube Rear 9 5 x 8 Service      |
| 11      | 532 17 50-39 | Cap Axle Blk 1 50 x 1 00       |
| --      | 532 14 43-34 | Sealant, Tire (10 oz. tube)    |

**NOTE:** All component dimensions given in U.S. inches.  
1 inch = 25.4 mm

# REPAIR PARTS

TRACTOR- -MODEL NO. CTH2542 TWIN (96061021800), PRODUCT NO. 960 61 02-18  
MOWER





# REPAIR PARTS

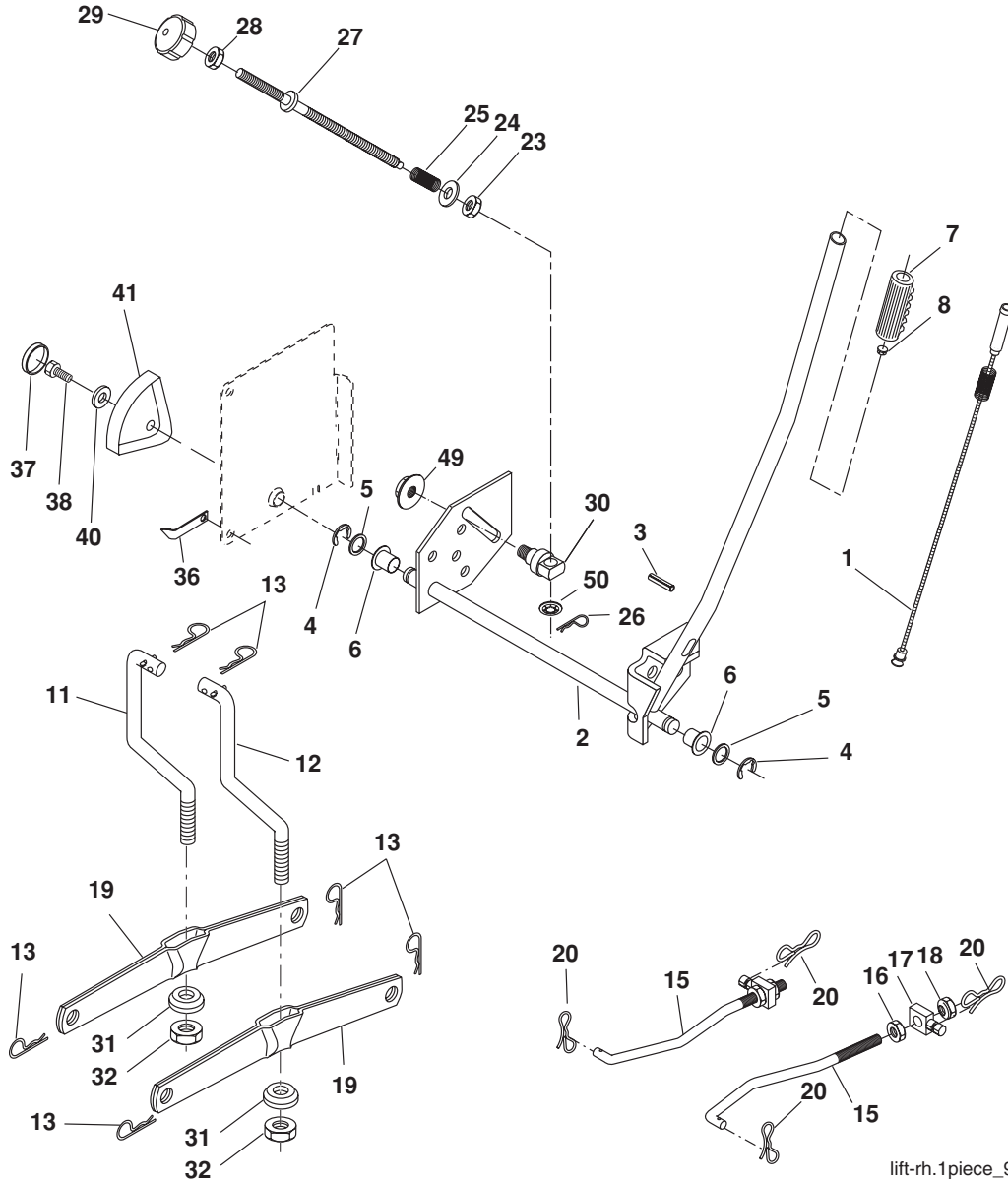
TRACTOR- -MODEL NO. CTH2542 TWIN (96061021800), PRODUCT NO. 960 61 02-18  
MOWER

| KEY NO. | PART NO.     | DESCRIPTION                        | KEY NO. | PART NO.     | DESCRIPTION                           |
|---------|--------------|------------------------------------|---------|--------------|---------------------------------------|
| 1       | 532 16 91-60 | Housing Asm. Mower 107 CRD         | 34      | 532 40 01-03 | Bracket Gauge Wheel LF/RR             |
| 2       | 872 14 05-06 | Bolt Rdhd Sqnk 5/16-18 unc x 3/4   | 35      | 532 40 01-04 | Bracket Gauge Wheel RF/LR             |
| 3       | 532 16 55-69 | Bracket Asm. S-Bar Chass 92 CRD    | 36      | 532 14 67-63 | Pulley Idler V-Groove Dim 4.25        |
| 4       | 532 16 91-67 | Bracket Bar Sway Deck 107 CRD      | 38      | 532 16 98-51 | Spacer Hub Arm Idler 107 CRD          |
| 5       | 532 12 46-70 | Retainer Spring                    | 39      | 872 11 06-22 | Bolt Rdhd<br>3/8-16 Unc x 2-3/4 Gr. 5 |
| 6       | 532 16 55-57 | Bar Sway CRD                       | 40      | 873 68 06-00 | Nut Crownlock 3/8-16 unc              |
| 8       | 532 18 17-12 | Bolt 3/8-24 x 1.25 Gr8 Patched     | 41      | 873 90 06-00 | Nut Flangelock 3/8-16 unc             |
| 9       | 810 03 06-00 | Washer Lock Hvy 3/8 Unplated       | 44      | 532 17 55-38 | Cover Mandrel Lh 107 CRD              |
| 10      | 532 14 02-96 | Washer Hardened                    | 45      | 532 17 55-39 | Cover Mandrel Rh 107 CRD              |
| 11      | 532 18 05-83 | Blade 3-1 Lh 107 CRD               | 46      | 532 13 77-29 | Screw Thd Roll 1/4-20 x 5/8           |
| 13      | 532 13 76-45 | Shaft Asm. W/Lower Bearing         | 55      | 532 16 98-49 | Arm Idler 107 CRD                     |
| 14      | 532 12 87-74 | Housing Mandrel Vented (Machd)     | 61      | 532 19 94-87 | Spring Tension Belt                   |
| 15      | 532 11 04-85 | Bearing Ball Mandrel               | 68      | 532 40 20-09 | Hex-Belt 107 Mower                    |
| 16      | 532 18 05-84 | Blade 3-1 Rh 107 CRD               | 69      | 532 16 54-82 | Shaft Asm W/Lwr Brg Rh Thd<br>CRD     |
| 18      | 872 11 06-06 | Bolt RdHd Sqnk 3/8-16 x 3/4        | 84      | 532 15 60-85 | Keeper Belt Idler                     |
| 19      | 532 13 28-27 | Bolt Shoulder 5/16-18 Thd Form     | 116     | 532 19 34-06 | Bolt Shoulder                         |
| 20      | 532 18 17-13 | Bolt 3/8-24 x 1.25 Gr.8 Ptch Lhthd | 117     | 532 17 48-73 | Wheel Gage Donut Wide                 |
| 21      | 873 68 05-00 | Nut Crown Lock 5/16-18             | 118     | 873 93 06-00 | Nut Centerlock 3/8-16 unc             |
| 22      | 532 16 91-65 | Bracket Idler Sprt RR 107 CRD      | 119     | 819 13 20-12 | Washer 13/32 x 1-1/4 x 12             |
| 23      | 532 16 91-66 | Bracket Idler Sprt RF 107 CRD      | 124     | 872 11 06-12 | Bolt Carr Sh 3/8-16 x 1-1/2 Gr5       |
| 24      | 532 16 91-70 | Bracket Suspension LF 107 CRD      | 130     | 872 11 05-06 | Bolt Rdhdsqnk 5/16-18 unc x 3/4       |
| 25      | 532 40 01-05 | Bracket Suspension RF 107 CRD      | 131     | 532 16 56-61 | Chute Bagger CRD 92cm                 |
| 26      | 532 40 01-10 | Brace Support Susp Frt CRD         | 164     | 532 12 49-37 | Bearing Col. Strg.                    |
| 27      | 532 16 91-72 | Bracket Asm. Susp RR 107 CRD       | --      | 532 13 07-94 | Mandrel Asm Service                   |
| 28      | 532 16 91-68 | Bracket Asm. Susp LR 107 CRD       | --      | 532 16 55-79 | Mandrel Asm CRD LH Threads<br>SVC     |
| 30      | 532 17 39-84 | Screw Thd Rolling Hex              | --      | 532 40 39-30 | Replacement Mower Complete            |
| 31      | 532 18 76-90 | Washer Spacer                      |         |              |                                       |
| 32      | 532 19 81-45 | Mandrel Pulleys                    |         |              |                                       |
| 33      | 532 40 02-34 | Nut Flg Top Lock                   |         |              |                                       |

**NOTE:** All component dimensions given in U.S. inches  
1 inch = 25.4 mm

# REPAIR PARTS

TRACTOR- -MODEL NO. CTH2542 TWIN (96061021800), PRODUCT NO. 960 61 02-18  
MOWER LIFT



lift-rh.1piece\_9

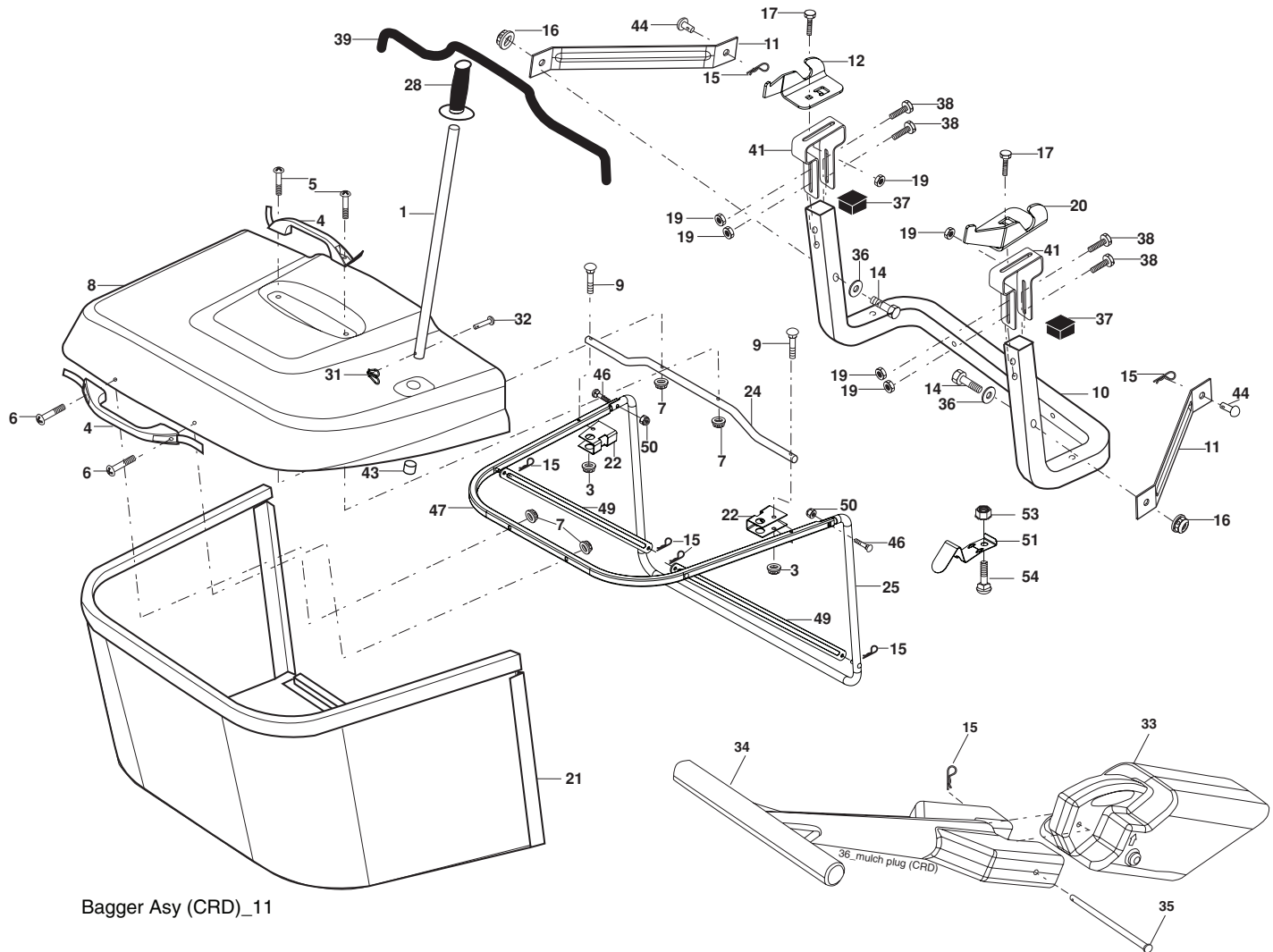
| KEY NO. | PART NO.     | DESCRIPTION                     |
|---------|--------------|---------------------------------|
| 1       | 532 19 84-17 | Shaft Asm. Lift                 |
| 2       | 532 19 80-70 | Wire Asm Inner Spring W/Plunger |
| 3       | 532 18 88-22 | Pin Groove                      |
| 4       | 812 00 00-02 | E Ring #5133-62                 |
| 5       | 819 21 16-21 | Washer 21/32 x 1 x 21 Ga.       |
| 6       | 532 12 01-83 | Bearing Nylon                   |
| 7       | 532 12 56-31 | Grip Handle                     |
| 8       | 532 12 45-26 | Button Plunger Black            |
| 11      | 532 16 58-29 | Link Lift L.H.                  |
| 12      | 532 16 58-31 | Link Lift R.H.                  |
| 13      | 532 12 46-70 | Retainer Spring                 |
| 15      | 532 17 32-88 | Link Front                      |
| 16      | 873 35 08-00 | Nut Jam Hex 1/2-13 unc          |
| 17      | 532 17 56-89 | Trunnion                        |
| 18      | 873 80 08-00 | Nut Lock W/Wsh 1/2-13 unc       |
| 19      | 532 13 98-68 | Arm Suspension Mower            |
| 20      | 532 19 42-09 | Pin Cotter 7/16 Bow Tie Lock    |
| 23      | 532 11 08-07 | Nut Special                     |

| KEY NO. | PART NO.     | DESCRIPTION                   |
|---------|--------------|-------------------------------|
| 24      | 819 13 10-16 | Washer 13/32 x 5/8 x 16 Ga.   |
| 25      | 532 16 40-24 | Spring 2-1/8                  |
| 26      | 532 16 94-84 | Retainer Clip                 |
| 27      | 532 16 45-43 | Rod Adj Lift Zinc             |
| 28      | 873 35 06-00 | Nut Hex Jam 3/8-16 unc        |
| 29      | 532 13 80-57 | Knob Inf 3/8-16 unc           |
| 30      | 532 15 02-33 | Trunnion Infin Height         |
| 31      | 532 16 98-65 | Bearing, Pvt. Lift.           |
| 32      | 873 54 06-00 | Nut Crownlock 3/8-24          |
| 36      | 532 15 50-97 | Pointer Height Indicator      |
| 37      | 532 12 39-35 | Plug Hole Blk                 |
| 38      | 817 06 05-16 | Screw 5/16-18 x 1             |
| 40      | 819 11 24-10 | Washer 11/32 x 1-1/2 x 10 Ga. |
| 41      | 532 12 39-34 | Scale Ind Height Blk          |
| 49      | 532 14 52-12 | Nut Hex flange lock           |
| 50      | 532 11 04-52 | Nut Push Phos & Oil           |

**NOTE:** All component dimensions given in U.S. inches  
1 inch = 25.4 mm

# REPAIR PARTS

TRACTOR- -MODEL NO. CTH2542 TWIN (96061021800), PRODUCT NO. 960 61 02-18  
BAGGER



Bagger Asy (CRD)\_11

| KEY NO. | PART NO.     | DESCRIPTION                           | KEY NO. | PART NO.     | DESCRIPTION                     |
|---------|--------------|---------------------------------------|---------|--------------|---------------------------------|
| 1       | 532 16 52-49 | Tube Handle Bagger CRD                | 31      | 532 16 94-84 | Retainer Clip                   |
| 3       | 532 12 39-76 | Nut Lock 1/4 Lge Flg Gr. 5 Zinc       | 32      | 532 12 68-75 | Rivet Rd Hd Drilled 3/8 Dia     |
| 4       | 532 16 99-16 | Handle Bagger w/Lvrs Blk CRD          | 33      | 532 16 93-80 | Plug Mulcher 92 CRD             |
| 5       | 874 98 10-24 | Screw Pan Head #10-24 x 1.50 Blk      | 34      | 532 16 55-70 | Handle Mulcher 92/107 CRD       |
| 6       | 874 98 10-32 | Screw Pan Hd                          | 35      | 532 16 55-72 | Pin Mulcher 92/107 CRD          |
| 7       | 873 40 10-00 | Nut Wiz Lock Hex Serr/Hd 10-24        | 36      | 819 13 20-12 | Washer 13/32 x 1-1/4 x 12 Ga.   |
| 8       | 532 18 10-95 | Cover Bagger CRD MS422                | 37      | 532 17 54-01 | Plug Support Bagger CRD         |
| 9       | 872 14 04-18 | Bolt Carriage 1/4-20 x 2.25d x Gr. 5  | 38      | 872 01 05-20 | Bolt 5/16-18 x 2-1/2            |
| 10      | 532 18 12-82 | Tube Support Bagger CRD               | 39      | 532 18 09-85 | Seal 37"                        |
| 11      | 532 16 57-19 | Bracket Support Upper Bag CRD         | 41      | 532 16 96-83 | Bracket Vert Adj Bagger CRD     |
| 12      | 532 18 88-48 | Bracket Pivotn Lh                     | 43      | 532 17 40-83 | Plug Tubing                     |
| 14      | 874 52 06-36 | Bolt Carr.                            | 44      | 532 19 33-12 | Pin Clevis                      |
| 16      | 873 90 06-00 | Nut Lock Flg. 3/8-16 UNC              | 46      | 872 11 05-10 | Bolt Carr. 5/16-18 x 1-1/4 Gr.5 |
| 15      | 532 12 46-70 | Retainer Spring                       | 47      | 532 19 37-04 | Tube Upper Bagger               |
| 17      | 872 14 05-06 | Bolt Rdhd Sht Sqnk 5/16 -18 unc x 3/4 | 49      | 532 19 33-05 | Bar Spreader                    |
| 19      | 873 90 05-00 | Nut Lock Hexflange 5/16-18            | 50      | 873 80 05-00 | Nut Lock Thx w/Ins. 5/16-18 UNC |
| 20      | 532 18 88-47 | Bracket Pivot Rh                      | 51      | 532 19 99-03 | Latch Spring Bagger             |
| 21      | 532 40 61-80 | Bag Asm CRD                           | 53      | 873 51 04-00 | Nut Keps Hex 1/4-20 UNC         |
| 22      | 532 16 57-81 | Bracket Side Bagger CRD               | 54      | 872 14 04-06 | Bolt Carr.                      |
| 24      | 532 16 57-83 | Tube Pivot Bagger CRD                 |         |              |                                 |
| 25      | 532 19 37-05 | Tube Front Bagger CRD                 |         |              |                                 |
| 28      | 532 16 57-87 | Grip Handle Black                     |         |              |                                 |

**NOTE:** All component dimensions given in U.S. inches  
1 inch = 25.4 mm