

CT151

Spare parts

Ersatzteile

Pièces détachées

Reserve onderdelen

Repuestos

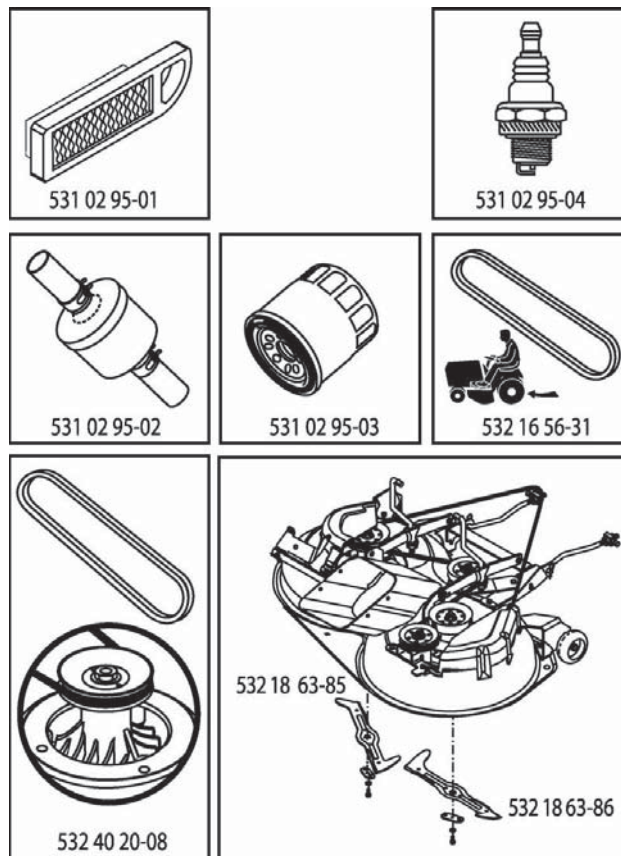
Reservdelar

ILLUSTRATED PARTS LIST

MFG. ID NO. 96061017905

CUSTOMER CATALOG NO. CT151

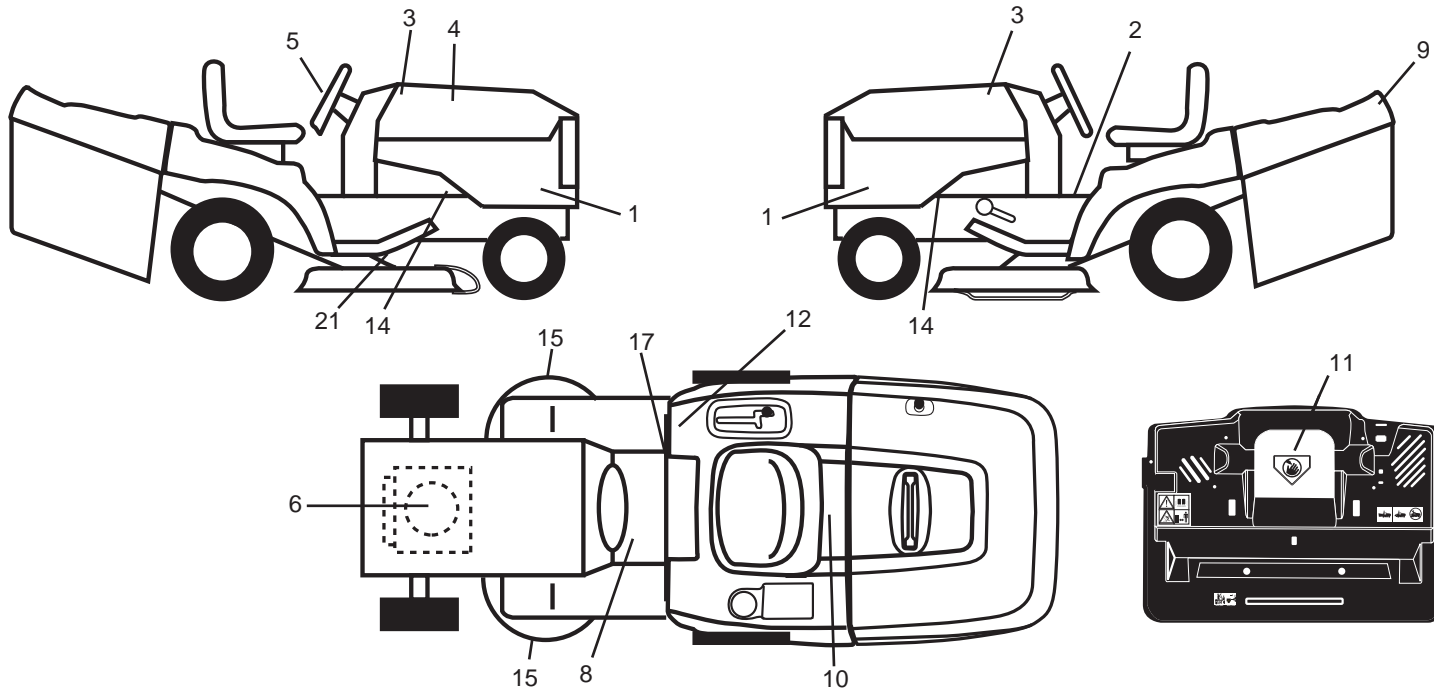
PRODUCT NO. 960 61 00-79



413396

REPAIR PARTS

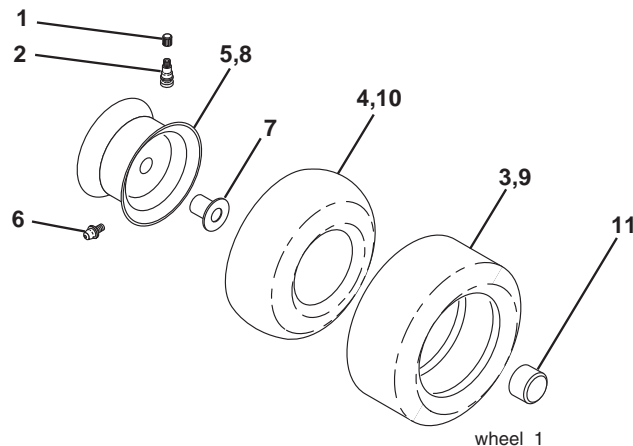
TRACTOR- -MODEL NO. CT151 (96061017905) PRODUCT NO. 960 61 01-79
DECALS



| KEY NO. | PART NO. | DESCRIPTION |
|---------|---------------------|-------------------------------|
| 1 | 532 41 22-41 | Decal Side Panel |
| 2 | 532 40 03-89 | Decal Warning Symbols CE |
| 3 | 532 40 28-32 | Decal Hood |
| 4 | 532 41 33-96 | Decal Replacement |
| 5 | 532 40 44-84 | Decal Wheel Logo |
| 6 | 532 19 68-41 | Decal Warning Engine Symbols |
| 8 | 532 15 97-37 | Decal Brake/Clutch Symbol |
| 9 | 532 40 28-32 | Decal Fender Logo |
| 10 | 532 14 50-05 | Decal Bat Dan/Poi P/L Sym Wpn |
| 11 | 532 18 21-66 | Decal Mower Cut Finger Symbol |
| 12 | 532 18 04-32 | Decal Fender 100 DB/CE |

| KEY NO. | PART NO. | DESCRIPTION |
|---------|---------------------|----------------------------|
| 14 | 532 15 97-36 | Decal Chassis Hot Muffler |
| 15 | 532 19 68-42 | Decal Warning Cut Finger |
| 17 | 532 14 08-37 | Decal Saddle Brake Parking |
| 21 | 532 16 62-86 | Decal Deck Sch 92 CRD |
| -- | 532 13 83-11 | Decal Lift Handle |
| -- | 532 18 19-16 | Pad Footrest LH |
| -- | 532 18 19-17 | Pad Footrest RH |
| -- | 532 41 19-43 | Manual Operator's (Euro) |
| -- | 532 41 19-45 | Manual Operator's (Scan) |
| -- | 532 41 19-44 | Manual Operator's (EBloc) |
| -- | 532 41 19-46 | Manual Operator's (Baltic) |

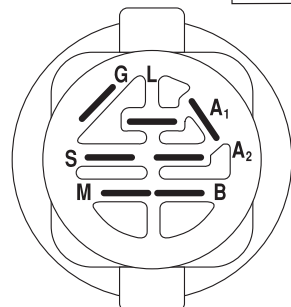
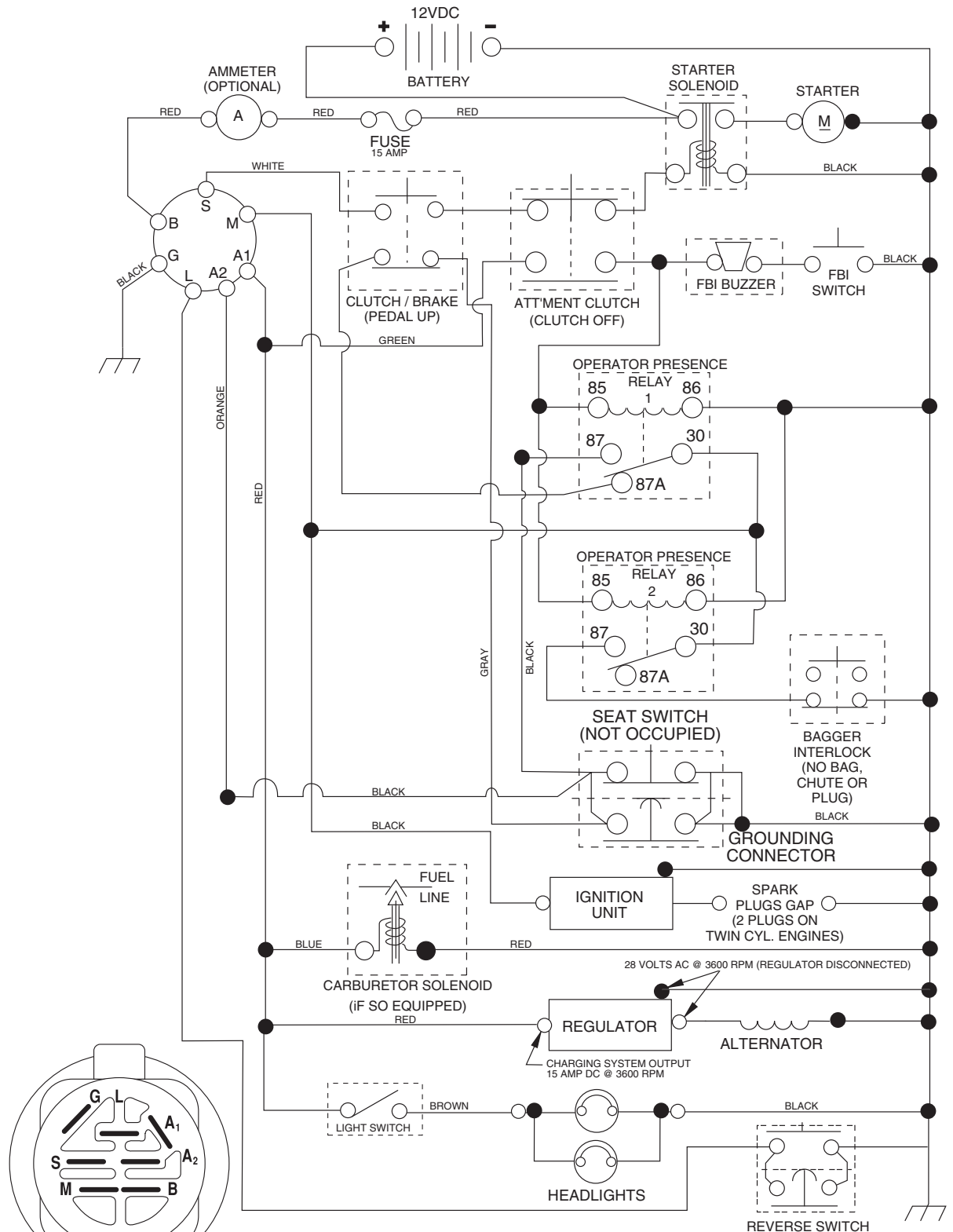
WHEELS & TIRES



| KEY NO. | PART NO. | DESCRIPTION |
|---------|--------------|--------------------------------|
| 1 | 532 05 91-92 | Cap Valve Tire |
| 2 | 532 06 51-39 | Stem Valve |
| 3 | 532 10 62-22 | Tire F Ts 15 x 6 0 - 6 Service |
| 4 | 532 05 99-04 | Tube Inner Front #35060 |
| 5 | 532 13 83-36 | Rim Asm 6" front Service |
| 6 | 532 12 49-57 | Fitting Grease |
| 7 | 532 12 49-59 | Bearing Flange |
| 8 | 532 13 83-37 | Rim Asm 8" rear Service |
| 9 | 532 10 62-68 | Tire R Ts 18 x 9.5-8 Service |
| 10 | 532 12 49-26 | Tube Rear 9 5 x 8 Service |
| 11 | 532 17 50-39 | Cap Axle Blk 1 50 x 1 00 |
| -- | 532 14 43-34 | Sealant, Tire (10 oz. tube) |

NOTE: All component dimensions given in U.S. inches.
1 inch = 25.4 mm

TRACTOR- -MODEL NO. CT151 (96061017905) PRODUCT NO. 960 61 01-79 SCHEMATIC



IGNITION SWITCH

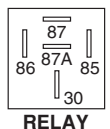
| POSITION | CIRCUIT | "MAKE" |
|--------------|------------|--------|
| OFF | M+G+A1 | |
| RUN/OVERRIDE | B+A1 | |
| RUN | B+A1 | L+A2 |
| START | B + S + A1 | |

WIRING INSULATED CLIPS

NOTE: IF WIRING INSULATED CLIPS WERE REMOVED FOR SERVICING OF UNIT, THEY SHOULD BE REPLACED TO PROPERLY SECURE YOUR WIRING.

○
REMOVABLE CONNECTIONS

●
NON-REMOVABLE CONNECTIONS

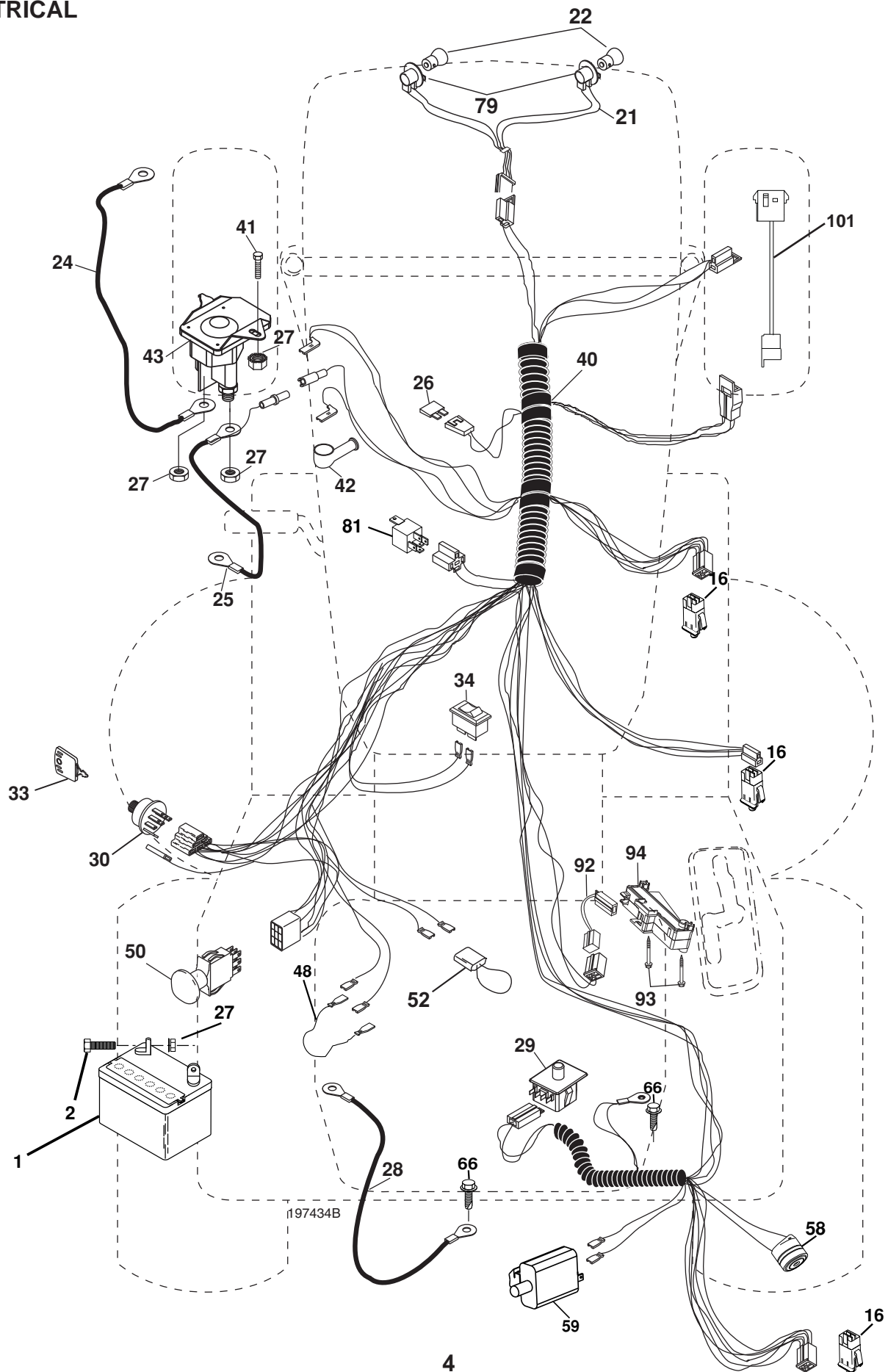


RELAY

03050

REPAIR PARTS

TRACTOR- -MODEL NO. CT151 (96061017905) PRODUCT NO. 960 61 01-79
ELECTRICAL



REPAIR PARTS

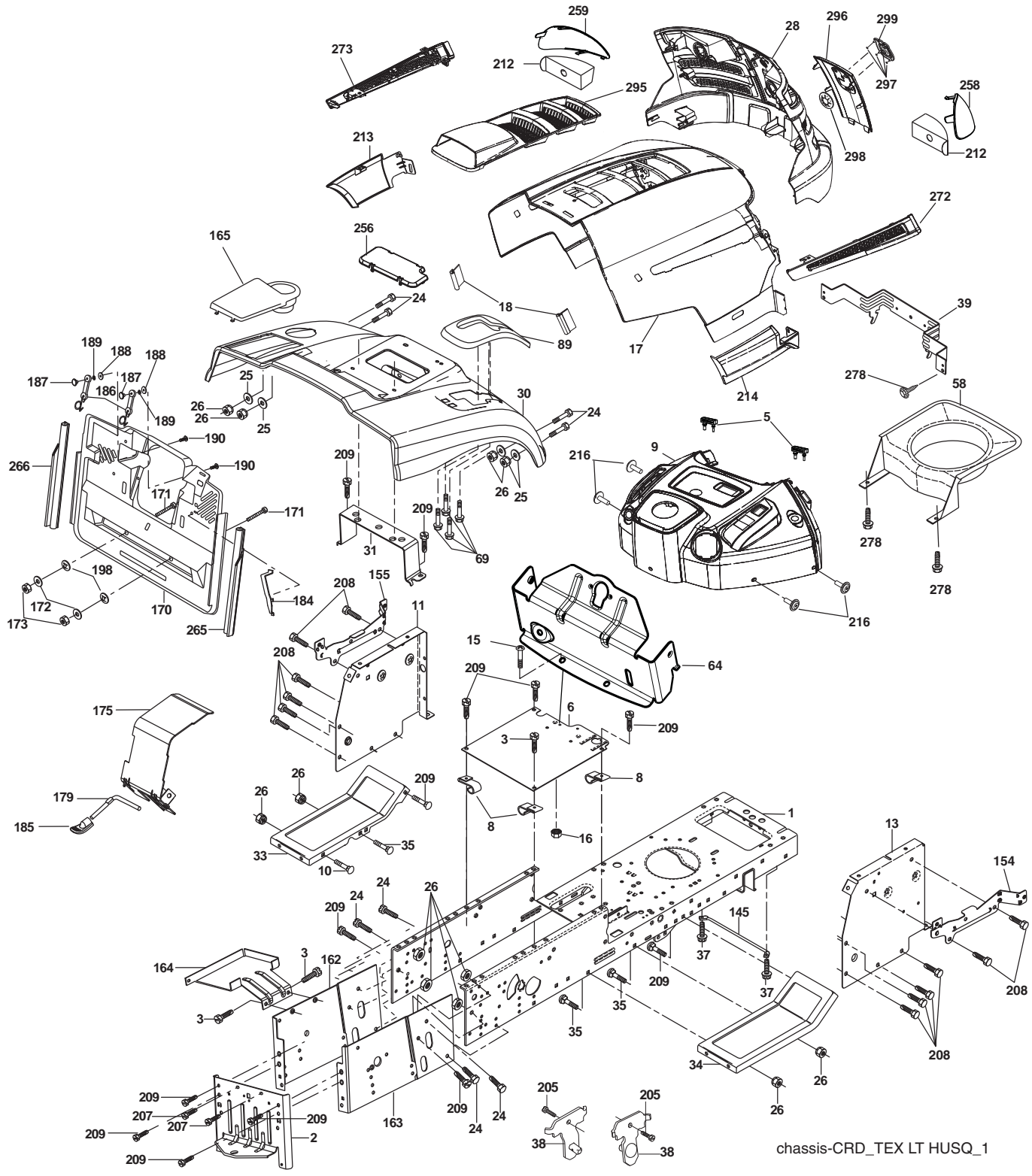
TRACTOR- -MODEL NO. CT151 (96061017905) PRODUCT NO. 960 61 01-79
ELECTRICAL

| KEY NO. | PART NO. | DESCRIPTION |
|------------|--------------|-----------------------------------|
| 1 | 532 14 49-27 | Battery |
| 2 | 874 76 04-12 | Bolt Hex Hd 1/4-20 UNC x 3/4 |
| 16 | 532 17 61-38 | Switch Interlock |
| 21 | 532 40 02-52 | Harness Asm Light W/4152J |
| 22 | 532 00 41-52 | Bulb Light #1156 |
| 24 | 532 12 47-80 | Cable Starter 6 Ga. 11" Red |
| 25 | 532 16 59-87 | Cable Battery Crd 56" Red |
| 26 | 532 17 51-58 | Fuse |
| 27 | 873 51 04-00 | Nut Keps Hex 1/4-20 UNC |
| 28 | 532 12 77-25 | Cable Ground 6 Ga. 18" Black |
| 29 | 532 19 27-49 | Switch Seat |
| 30 | 532 19 33-50 | Switch Ignition |
| 33 | 532 14 04-01 | Key Ign Molded |
| 34 | 532 11 07-12 | Switch Light |
| 40 | 532 19 74-34 | Harness Ign |
| 41 | 871 11 04-08 | Bolt Flk Fin Hex 1/4-20 UNC x 1/2 |
| 42 | 532 13 15-63 | Cover Terminal Red |
| 43 | 532 19 25-07 | Solenoid |
| 48 | 532 14 08-44 | Adapter Ammeter Rectangular |
| 50 | 532 17 46-51 | Switch PTO |
| 52 | 532 14 19-40 | Protection Wire Loop |
| 58 | 532 16 94-19 | Buzzer Crd |
| 59 | 532 18 03-79 | Switch FBI CRD |
| 66 | 817 49 06-08 | Screw Thdrol 3/8-16 x 1/2 Ty-Tt |
| 79 | 532 17 52-52 | Socket Asm Bulb |
| 81 | 532 10 97-48 | Relay Asm |
| 92 | 532 19 66-15 | Harness Pigtail |
| 93 | 532 19 25-40 | Screw Plastite 10-14 x 2.0 |
| 94 | 532 19 18-34 | Module Reverse |
| 101 | 532 19 83-17 | Pigtail MATNLK |

NOTE: All component dimensions given in U.S. inches.
1 inch = 25.4 mm.

REPAIR PARTS

TRACTOR- -MODEL NO. CT151 (96061017905) PRODUCT NO. 960 61 01-79
CHASSIS AND ENCLOSURES



chassis-CRD_TEX LT HUSQ_1

REPAIR PARTS

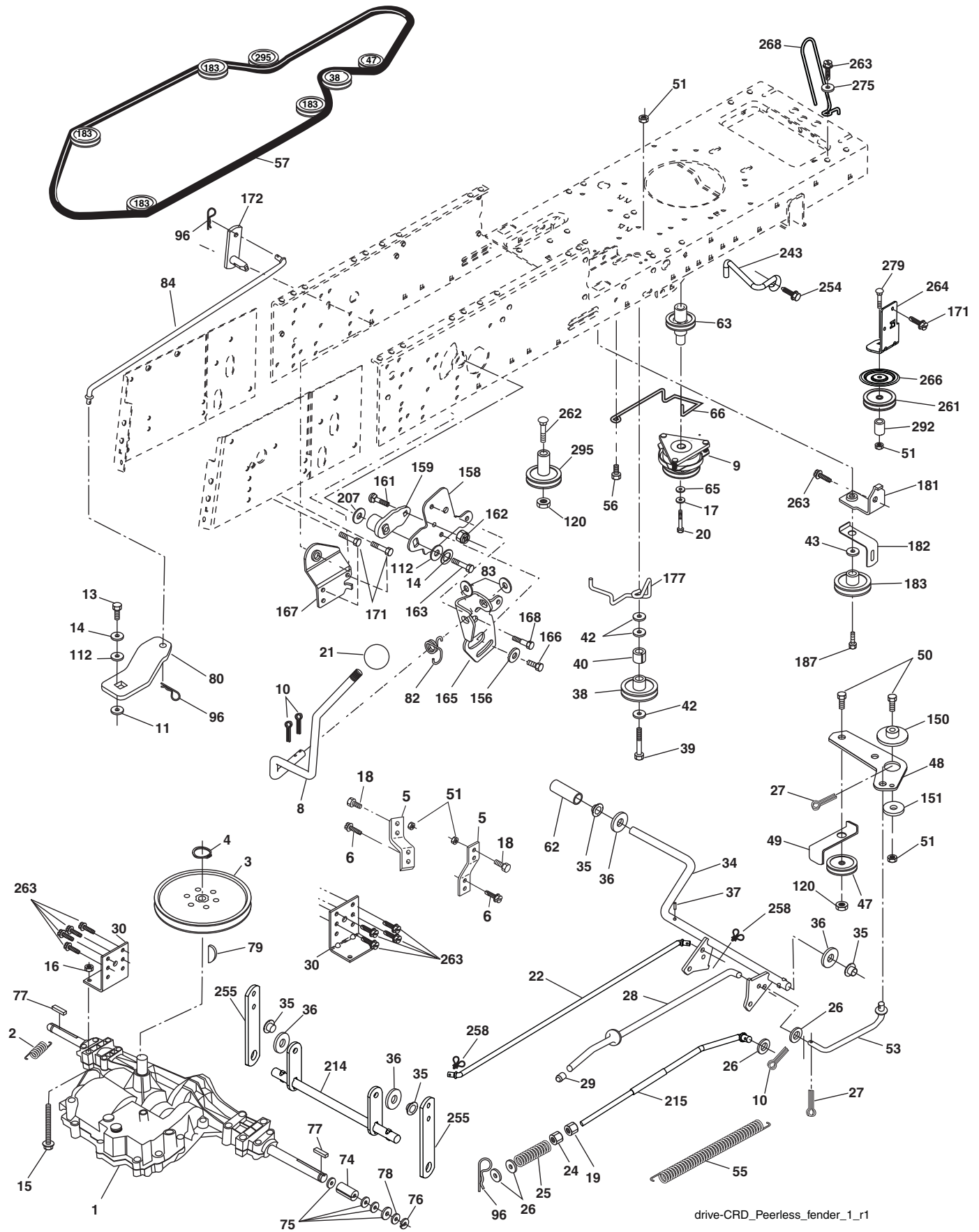
TRACTOR- -MODEL NO. CT151 (96061017905) PRODUCT NO. 960 61 01-79 CHASSIS AND ENCLOSURES

| KEY NO. | PART NO. | DESCRIPTION | KEY NO. | PART NO. | DESCRIPTION |
|---------|---------------------|---|---------|---------------------|----------------------------------|
| 1 | 532 17 46-20 | Chassis | 173 | 873 51 06-00 | Nut, Keps Hex 3/8-16 UNC |
| 2 | 532 18 03-84 | Drawbar | 175 | 532 18 82-03 | Door Trap |
| 3 | 817 06 06-12 | Screw 3/8-16 x 3/4 | 179 | 532 18 82-02 | Rod Pivot FBI CRD |
| 5 | 532 40 75-90 | Bumper Hood/Dash | 184 | 532 17 46-62 | Bracket Actuator Bagger CRD |
| 6 | 532 18 44-19 | Saddle | 185 | 532 18 11-01 | Knob Rod Brake Parking |
| 8 | 532 12 64-71 | Clip Insulator 13/32 Mtg. Hole | 186 | 532 16 07-93 | Latch Asm Mulch/Bagger |
| 9 | 532 40 94-67 | Dash | 187 | 532 12 50-04 | Nut Weld |
| 10 | 872 14 06-08 | Bolt, Carriage 3/8-16 x 3/4 | 188 | 819 06 12-16 | Washer #10 |
| 11 | 532 17 49-96 | Panel, Dash, L.H. | 189 | 810 07 10-00 | Washer Lock #10 |
| 13 | 532 17 21-06 | Panel, Dash R.H. | 190 | 871 08 10-10 | Screw Pan Hd Phillip 10-24 x 5/8 |
| 15 | 874 18 05-12 | Screw, Machine, Truss Head 5/16-18 UNC x 3/4 | 198 | 532 16 89-37 | Nut, Push |
| 16 | 873 51 05-00 | Nut | 205 | 817 49 06-08 | Screw Thdrol 3/8-16 x 1/2 |
| 17 | 532 41 10-73 | Hood | 207 | 817 67 05-08 | Screw Thdrl. 5/16-18 x 1/2 |
| 18 | 532 40 47-42 | Bumper Hood | 208 | 817 67 06-08 | Screw Thdrol 3/8-16 x 1/2 |
| 24 | 874 78 06-16 | Bolt | 209 | 817 00 06-12 | Screw Hex Wsh Thdrol 3/8-16 |
| 25 | 819 13 13-12 | Washer 13/32 x 13/16 x 12 Ga. | 212 | 532 40 66-65 | Insert Lens Reflect |
| 26 | 873 80 06-00 | Nut | 213 | 532 41 10-77 | Skirt Side LH |
| 28 | 532 40 66-67 | Grille /Lens Asm | 214 | 532 41 10-76 | Skirt Side RH |
| 30 | 532 19 73-76 | Fender | 216 | 817 67 04-12 | Screw 1/4-20 x 3/4 |
| 31 | 532 16 51-56 | Bracket, Fender Support | 256 | 532 18 13-61 | Cover Fender Rack |
| 33 | 532 18 10-57 | Footrest, L.H. | 258 | 532 41 10-78 | Lens RH |
| 34 | 532 18 10-58 | Footrest, R.H. | 259 | 532 41 10-79 | Lens LH |
| 35 | 872 11 06-06 | Bolt | 265 | 532 18 57-04 | Seal RH Side Bagger |
| 37 | 817 49 05-08 | Screw Thdrol 5/16-18 x 1/2 TYT | 266 | 532 18 57-03 | Seal LH Side Bagger |
| 38 | 532 18 17-48 | Bracket Asm Pivot Mower Rear | 272 | 532 41 10-74 | Vent Hood RH |
| 39 | 532 40 78-07 | Bracket Pivot | 273 | 532 41 10-75 | Vent Hood LH |
| 58 | 532 40 75-37 | Duct Air Engine | 278 | 532 19 16-11 | Screw 10 x 3/4 Single Lead Hex |
| 64 | 532 40 81-27 | Dash Lower | 295 | 532 41 11-16 | Vent Top Hood |
| 69 | 532 14 24-32 | Screw HxWsh Hi-Lo | 296 | 532 41 11-19 | Trim |
| 89 | 532 19 74-07 | Console CRD 6 Sp. 418 | 297 | 532 19 91-45 | Clip Retainer Tinner |
| 145 | 532 40 91-67 | Rod Pivot Chassis/Hood | 298 | 532 11 04-52 | Nut Push |
| 154 | 532 40 81-22 | Bracket Dash RH | 299 | 532 40 50-12 | Logo |
| 155 | 532 40 81-23 | Bracket Dash LH | -- | 532 41 11-15 | Plug Dash |
| 162 | 532 18 03-82 | Bracket Exten Chassis Lh CRD | | | |
| 163 | 532 18 03-83 | Bracket Exten Chassis Rh CRD | | | |
| 164 | 532 16 56-05 | Support Battery CRD | | | |
| 165 | 532 18 11-00 | Cover Battery | | | |
| 170 | 532 19 94-88 | Backplate CRD | | | |
| 171 | 872 14 06-20 | Bolt Rdhd Sqnk 3/8-16 x 2-1/2 Gr. 5 | | | |
| 172 | 819 13 20-16 | Washer 13/32 x 1-1/4 x 16 Ga. | | | |

NOTE: All component dimensions given in U.S. inches.
1 inch = 25.4 mm.

REPAIR PARTS

TRACTOR- -MODEL NO. CT151 (96061017905) PRODUCT NO. 960 61 01-79
DRIVE



drive-CRD_Peerless_fender_1_r1

REPAIR PARTS

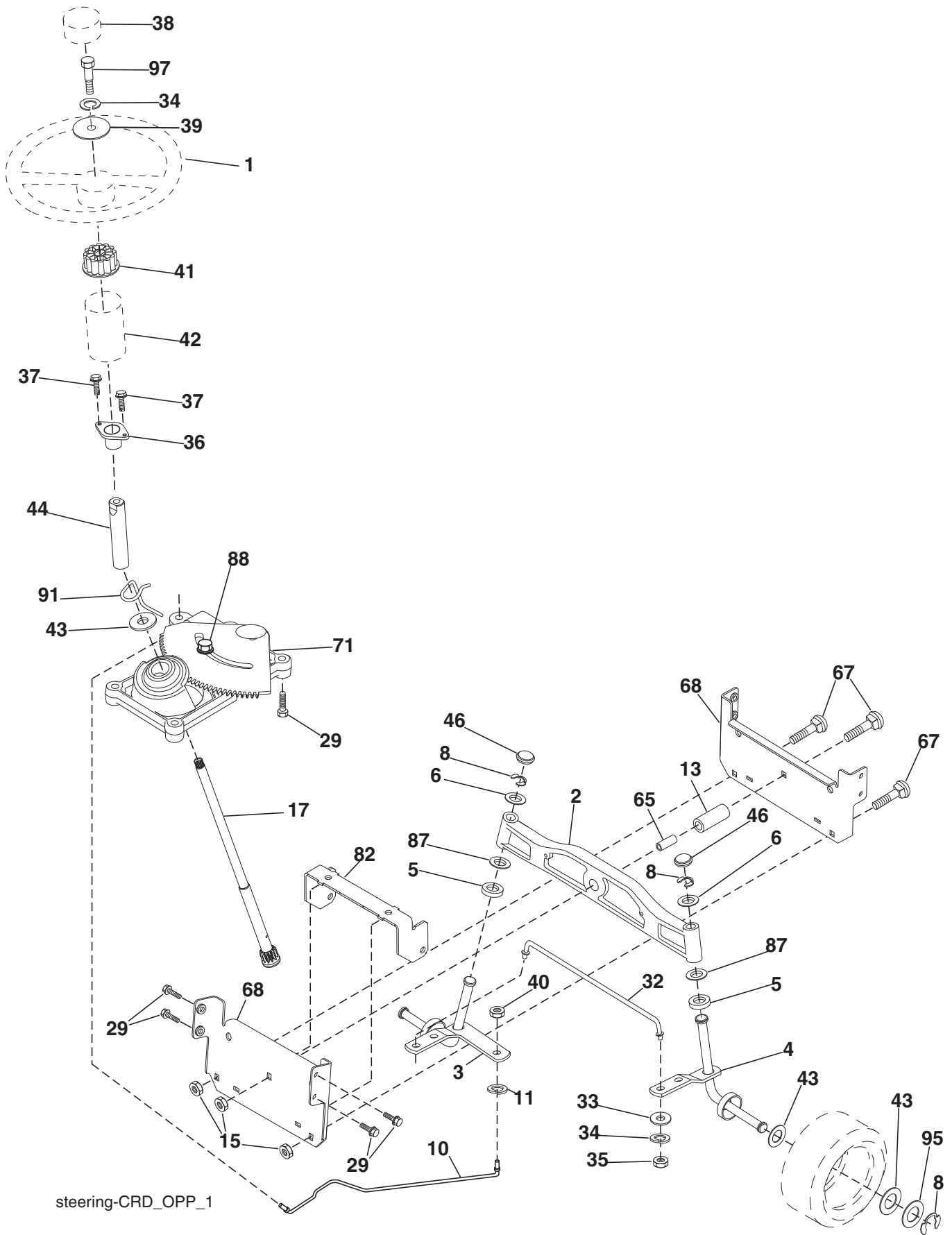
TRACTOR- -MODEL NO. CT151 (96061017905) PRODUCT NO. 960 61 01-79
DRIVE

| KEY NO. | PART NO. | DESCRIPTION | KEY NO. | PART NO. | DESCRIPTION |
|---------|---------------------|--|---------|--------------|-----------------------------------|
| 1 | ----- | Transaxle Peerless 206-546 (Order parts from transaxle manufacturer) | 78 | 532 12 17-48 | Washer 25/32 x 1-5/8 x 16 Ga. |
| 2 | 532 14 66-82 | Spring Brake Return | 79 | 532 12 50-96 | Key Woodruff |
| 3 | 532 16 59-99 | Pulley Transaxle | 80 | 532 14 50-90 | Arm Shift PMST 20" Tires |
| 4 | 812 00 00-28 | Ring Retainer #5100-62 | 82 | 532 16 57-11 | Spring, Torsion |
| 5 | 532 12 15-20 | Strap torque 30 degrees | 83 | 819 17 12-16 | Washer 17/32 x 3/4 x 16 Ga. |
| 6 | 817 06 05-12 | Screw 5/16-18 x 3/4 | 84 | 532 16 56-21 | Link Shift CRD Pmst 18" Tires |
| 8 | 532 19 27-06 | Rod Shift | 96 | 532 12 47-88 | Spring, Retainer 1" |
| 9 | 532 18 02-20 | Clutch Ogura | 112 | 819 09 12-10 | Washer 9/32 x 3/4 x 10 Ga. |
| 10 | 876 02 04-16 | Pin, Cotter 1/8 x 1 | 120 | 873 90 06-00 | Nut Lock Flg. 3/8-16 UNC |
| 11 | 532 10 57-01 | Washer Plate Shf .3888 sq hole | 150 | 532 16 58-50 | Bushing, Bellcrank Grnd Dr |
| 13 | 874 55 04-12 | Bolt 1/4-28 unf Gr. 8 w/patch | 151 | 819 13 32-10 | Washer 13/32 x 2 x 10 Ga. |
| 14 | 810 04 04-00 | Washer, Lock Hvy Helical | 156 | 532 16 60-02 | Washer Srrd 5/16 ID x 1.125 |
| 15 | 874 49 05-44 | Bolt Hex Flghd 5/16-18 Gr. 5 | 158 | 532 16 55-89 | Bracket Shift Mount |
| 16 | 873 80 05-00 | Nut, Lock Hex w/Ins 5/16-18 UNC | 159 | 532 18 39-00 | Hub Shift |
| 17 | 532 12 61-97 | Washer 1-1/2 ODX 15/32 ID x .250 | 161 | 872 14 04-06 | Bolt Rdhd Sqnk 1/4-20 x 3/4 Gr 5 |
| 18 | 874 78 06-16 | Bolt Hex 3/8-16 UNC x 1 Gr. 5 | 162 | 873 68 04-00 | Nut Crownlock 1/4-20 UNC |
| 19 | 873 80 06-00 | Nut, Lock Hex w/Wsh 3/8-16 UNC | 163 | 874 78 04-16 | Bolt Hex Fin 1/4-20 UNC x 1 Gr 5 |
| 20 | 532 17 39-37 | Bolt Hex 7/16-20 x 4 x GR5-1.5 | 165 | 532 16 56-23 | Bracket Pivot Lever |
| 21 | 532 12 12-74 | Knob Duckhead | 166 | 817 49 05-10 | Screw 5/16-18 x 5/8 |
| 22 | 532 17 56-07 | Rod, Brake CRD | 167 | 532 16 55-88 | Bracket Support Shift CRD |
| 24 | 873 35 06-00 | Nut | 168 | 532 16 54-92 | Bolt Shoulder 5/16-18 x .561 |
| 25 | 532 10 68-88 | Spring, Rod, Brake | 171 | 817 49 06-08 | Screw Thdrol 3/8-16 x 1/2 Ty-Tt |
| 26 | 819 13 13-16 | Washer 13/32 x 13/16 x 16 Ga. | 172 | 532 16 56-35 | Shaft Asm Shift Front CRD PMST |
| 27 | 876 02 04-12 | Pin, Cotter 1/8 x 3/4 | 177 | 532 16 59-32 | Keeper Flat Idler 3.06" CRD |
| 28 | 532 17 57-65 | Rod, Parking Brake | 181 | 532 18 02-11 | Bracket Idler Ground Drive CRD |
| 29 | 532 12 42-36 | Cap Brake Parking | 182 | 532 18 26-82 | Keeper Belt 2.5" Od V-Idler CRD |
| 30 | 532 17 49-73 | Bracket, Mfg. Transaxle | 183 | 532 19 95-32 | Pulley V-Idler |
| 34 | 532 17 55-78 | Shaft, Asm Pedal Foot | 187 | 817 58 05-20 | Screw 5/16-18 x 1.25 |
| 35 | 532 12 01-83 | Bearing, Nylon | 207 | 532 16 98-45 | Washer Nylon Rear |
| 36 | 819 21 16-16 | Washer 21/32 x 1 x 16 Ga. | 214 | 532 17 56-09 | Shaft Asm Blade |
| 37 | 532 12 49-63 | Pin, Roll 3/16 x 1" | 215 | 532 41 01-42 | Rod Brake |
| 38 | 532 16 59-36 | Pulley, Flat | 243 | 532 19 07-36 | Bracket Anti-Rotation |
| 39 | 874 76 06-44 | Bolt Fin Hex 3/8-16 UNC x 2-3/4 | 254 | 817 00 06-16 | Screw 3/8-16 x 1 |
| 40 | 532 12 49-65 | Spacer, Split 395 x 59 Bzp | 255 | 532 17 56-08 | Brace Shaft Brake Mtg. |
| 42 | 819 13 13-12 | Washer 13/32 x 13/16 x 12 Ga. | 258 | 532 17 80-62 | Clip Retainer |
| 43 | 819 11 10-12 | Washer 11/32 x 5/8 x 12 Ga. | 261 | 532 13 14-94 | Pulley Idler |
| 47 | 532 12 77-83 | Pulley, Idler, V Groove Plasitc | 263 | 817 00 06-12 | Screw 3/8-16 x 3/4 |
| 48 | 532 15 44-07 | Bellcrank Clutch Grnd Drv | 262 | 872 11 06-22 | Bolt Rdhd 3/8-16 UNC x 2-3/4 Gr.5 |
| 49 | 532 12 32-05 | Retainer, Belt Style Spring | 264 | 532 19 76-07 | Bracket Idler Chass. |
| 50 | 872 11 06-12 | Bolt 3/8-16 UNC x 1-1/2 | 266 | 532 18 20-61 | Shield Idler Mower |
| 51 | 873 68 06-00 | Nut, Crownlock 3/8-16 UNC | 268 | 532 18 24-02 | Guard Muffler RH |
| 53 | 532 19 96-52 | Link, Clutch 7.66 | 275 | 819 13 16-14 | Washer 13/32 x 1 x 14 Ga. |
| 55 | 532 10 57-09 | Spring, Return, Clutch | 279 | 872 11 06-16 | Bolt 3/8-16 UNC x 2 |
| 56 | 817 06 06-20 | Screw 3/8-16 x 1-1/4 | 292 | 532 40 02-71 | Spacer |
| 57 | 532 16 56-31 | V-Belt Kev PMST CRD | 295 | 532 17 91-14 | Pulley Idler |
| 62 | 532 12 48-72 | Cover, Pedal | | | |
| 63 | 532 18 03-97 | Pulley Engine | | | |
| 65 | 810 04 07-00 | Washer | | | |
| 66 | 532 15 47-78 | Keeper, Belt Engine F-Proof | | | |
| 74 | 532 13 70-57 | Spacer Axle | | | |
| 75 | 532 12 17-49 | Washer 25/32 x 1-1/4 x 16 Ga. | | | |
| 76 | 812 00 00-01 | Ring, E | | | |
| 77 | 532 12 35-83 | Key, Square | | | |

NOTE: All component dimensions given in U.S. inches
1 inch = 25.4 mm

REPAIR PARTS

TRACTOR- -MODEL NO. CT151 (96061017905) PRODUCT NO. 960 61 01-79
STEERING ASSEMBLY



steering-CRD_OPP_1

REPAIR PARTS

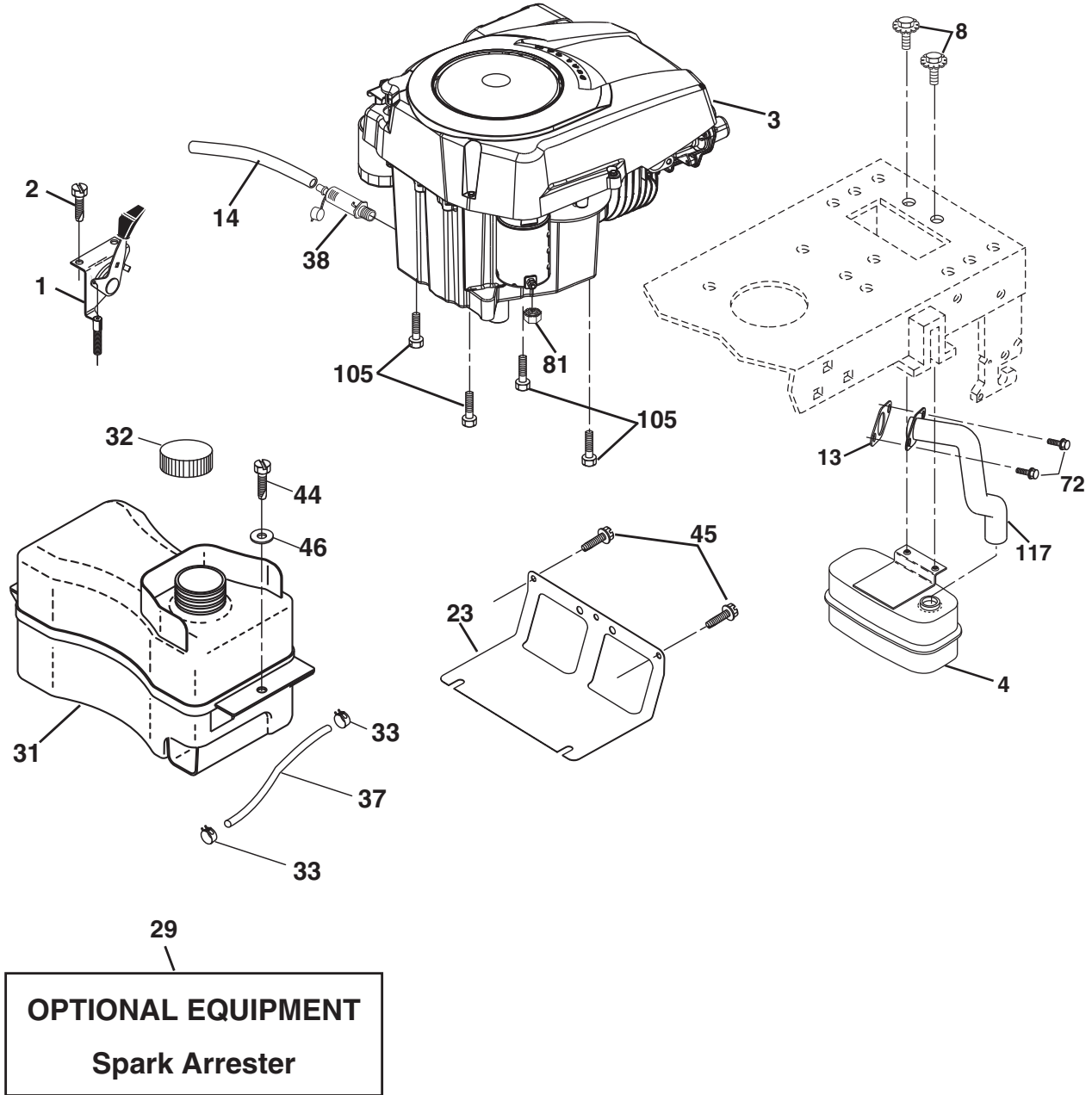
TRACTOR- -MODEL NO. CT151 (96061017905) PRODUCT NO. 960 61 01-79
STEERING ASSEMBLY

| KEY NO. | PART NO. | DESCRIPTION |
|---------|---------------------|--------------------------------------|
| 1 | 532 19 36-51 | Steering Wheel |
| 2 | 532 18 47-06 | Axle Asm Cast Iron Lt |
| 3 | 532 16 98-40 | Spindle Assembly, L.H. |
| 4 | 532 16 98-39 | Spindle Assembly, R.H. |
| 5 | 532 12 49-31 | Bearing, Race, Thrust, Hardened |
| 6 | 532 12 17-48 | Washer 25/32 x 1-5/8 x 16 Ga. |
| 8 | 812 00 00-29 | Ring, Klip |
| 10 | 532 17 51-21 | Link, Drag |
| 11 | 810 04 06-00 | Washer, Lock |
| 13 | 532 13 65-18 | Spacer Brg Axle Front |
| 15 | 532 14 52-12 | Nut Hex Flange Lock |
| 17 | 532 19 07-53 | Shaft, Steering |
| 29 | 817 00 06-12 | Screw 3/8-16 x 3/4 |
| 32 | 532 17 18-88 | Rod, Tie |
| 33 | 819 11 12-16 | Washer 11/32 x 3/4 x 16 Ga. |
| 34 | 810 04 05-00 | Washer Lock Hvy Hlcl Spr 5/16 |
| 35 | 873 54 05-00 | Crownlock Nut 5/16-24 unf 3847 |
| 36 | 532 15 50-99 | Bushing, Steering |
| 37 | 532 15 29-27 | Screw TT #10-32 x 5 x 3/8 Flange |
| 38 | 532 19 36-52 | Cap Wheel Steering |
| 39 | 819 11 38-12 | Washer 11/32 ID x 2- 3/8 OD x 12 Ga. |
| 40 | 873 54 06-00 | Nut Crownlock 3/8-24 |
| 41 | 532 18 67-37 | Adaptor, Steering Wheel |
| 42 | 532 41 11-39 | Boot, Steering Dash |
| 43 | 532 12 17-49 | Washer 25/32 x 1-1/4 x 16 Ga. |
| 44 | 532 19 07-52 | Extension Steering Shaft |
| 46 | 532 12 12-32 | Cap, Spindle |
| 65 | 532 16 03-67 | Spacer Brace Axle |
| 67 | 872 11 06-18 | Bolt Rdhd Sqnk 3/8-16 x 2-1/4 |
| 68 | 532 16 98-27 | Brace Axle |
| 71 | 532 17 51-46 | Steering Asm. |
| 82 | 532 19 99-78 | Bracket Susp Chassis Front |
| 87 | 532 17 39-66 | Washer Flat .781 x 1 1/2 x .14 |
| 88 | 532 17 51-18 | Bolt Shoulder 7/16-20 UNC |
| 91 | 532 17 55-53 | Clip Steering |
| 95 | 532 18 89-67 | Washer |
| 97 | 874 78 05-64 | Bolt 5/16-18 UNC x 4" L. Gr. 5 |

NOTE: All component dimensions given in U.S. inches.
1 inch = 25.4 mm.

REPAIR PARTS

TRACTOR- -MODEL NO. CT151 (96061017905) PRODUCT NO. 960 61 01-79
ENGINE



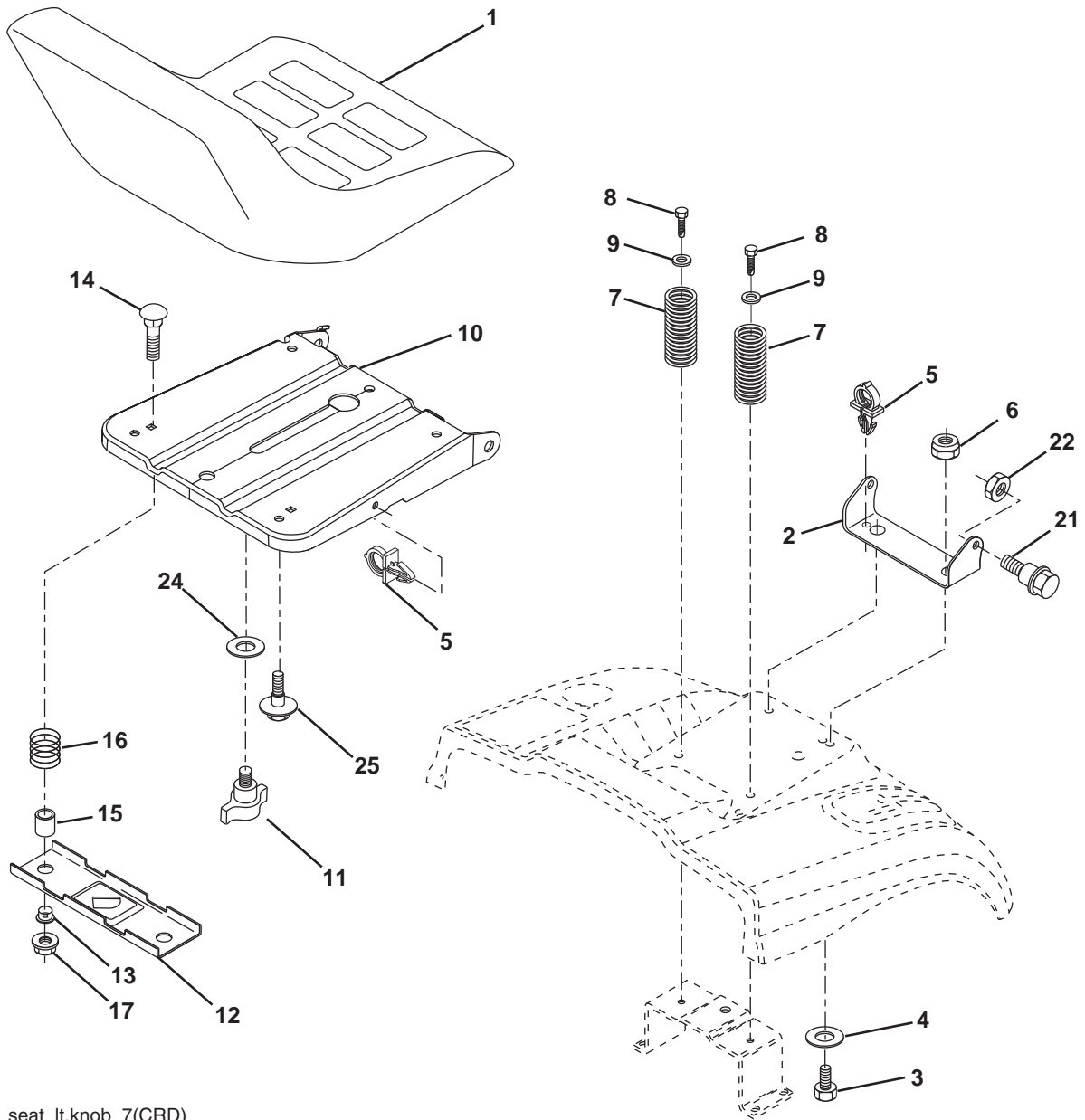
engine-CRD_Kohl_1

| KEY NO. | PART NO. | DESCRIPTION | KEY NO. | PART NO. | DESCRIPTION |
|---------|--------------|--|---------|--------------|----------------------------------|
| 1 | 532 18 38-97 | Control Throt /Ch Flag | 37 | 532 13 70-40 | Line Fuel 20" |
| 2 | 817 19 16-11 | Screw 10 x 3/4 | 38 | 532 18 16-54 | Plug Drain Oil Easy |
| 3 | ----- | Engine Kohler SV470 (Order Parts from Engine Manufacturer) | 44 | 817 67 04-12 | Screw Hexwsh Thdrol 1/4-20 x 3/4 |
| 4 | 532 18 86-55 | Muffler Exhaust | 45 | 817 00 06-12 | Screw Hexwsh Thdr 3/8-16 x 3/4 |
| 8 | 532 17 18-77 | Bolt 5/16-18 x 3/4 | 46 | 819 09 14-16 | Washer 9/32 x 7/8 x 16ga |
| 13 | 532 18 59-09 | Gasket | 72 | 532 19 23-34 | Screw 5/16-18 x .75 |
| 14 | 532 14 84-56 | Tube Drain Oil Easy | 81 | 873 51 04-00 | Nut Keps 1/4-20 UNC |
| 23 | 532 16 98-37 | Shield Browning/Debris Guard | 105 | 817 12 06-16 | Screw 3/8-16 x 1 |
| 29 | 532 13 71-80 | Arrestor Spark | 117 | 532 18 86-54 | Tube Exhaust |
| 31 | 532 40 75-45 | Tank Fuel | | | |
| 32 | 532 19 77-25 | Cap Asm Fule Top | | | |
| 33 | 532 12 34-87 | Clamp Hose Blk | | | |

NOTE: All component dimensions given in U.S. inches.
1 inch = 25.4 mm

REPAIR PARTS

TRACTOR- -MODEL NO. CT151 (96061017905) PRODUCT NO. 960 61 01-79
SEAT ASSEMBLY



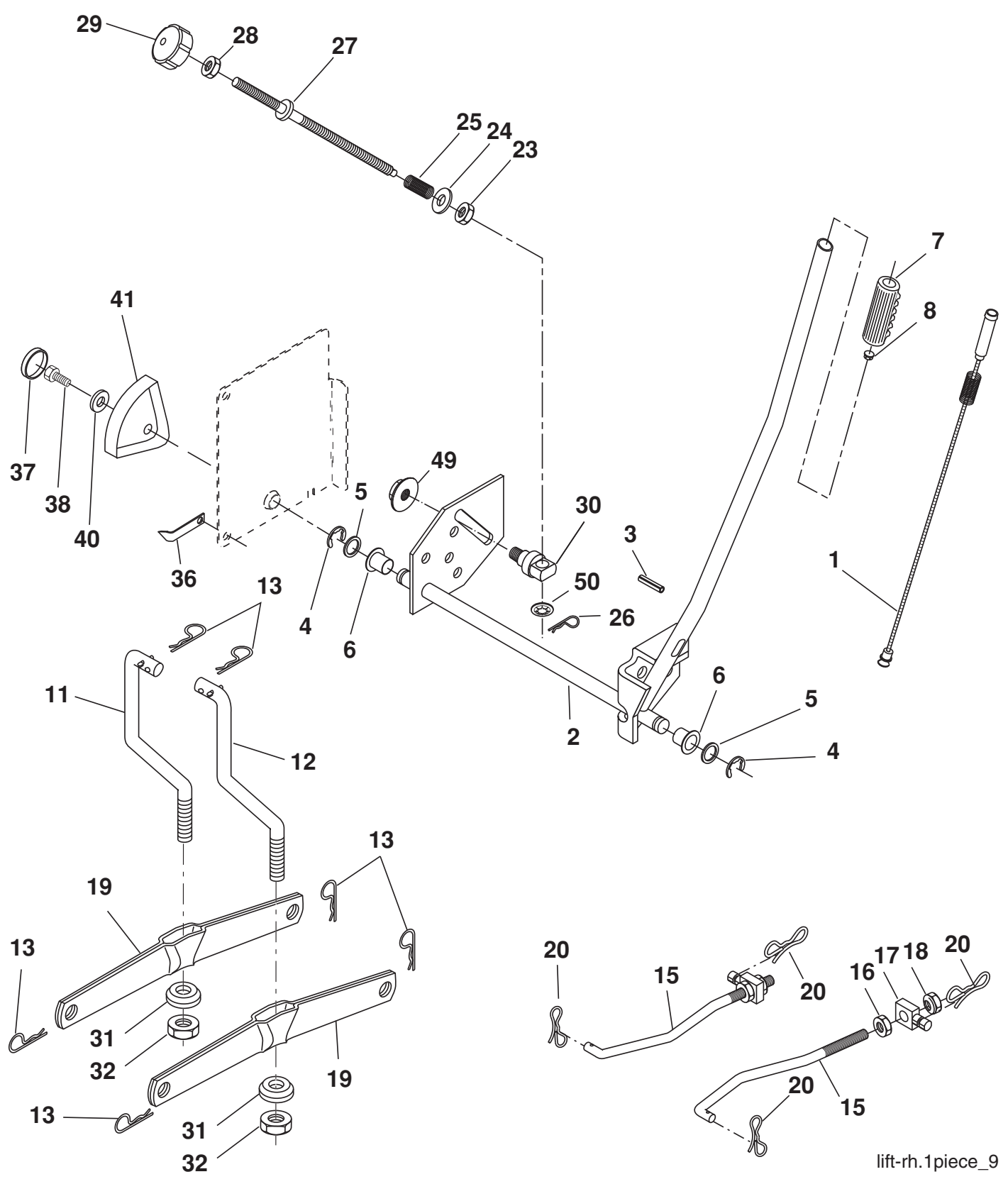
seat_lt.knob_7(CRD)

| KEY NO. | PART NO. | DESCRIPTION | KEY NO. | PART NO. | DESCRIPTION |
|---------|--------------|--------------------------------|---------|--------------|---------------------------------|
| 1 | 532 19 01-20 | Seat | 13 | 532 12 12-48 | Bushing Snap Blk Nyl 50 Id |
| 2 | 532 14 05-51 | Bracket Pnt Pivot Seat (blk) | 14 | 872 05 04-12 | Bolt Rdhd Sht Nk 1/4-20 x 1-1/2 |
| 3 | 871 11 06-16 | Bolt Fin Hex 3/8-16 x 1 | 15 | 532 13 43-00 | Spacer Split |
| 4 | 819 13 16-10 | Washer Flat 13/32 x 1 x 10 Ga. | 16 | 532 12 12-50 | Spring Cprsn Plate SW 1.310 Ga. |
| 5 | 532 14 50-06 | Clip Push In Hinged | 17 | 532 12 39-76 | Nut Lock 1/4 Lge Flg Gr 5 Zinc |
| 6 | 873 80 06-00 | Nut Lock Hx w/Ins. 3/8-16 | 21 | 532 17 18-52 | Bolt Shoulder 5/16-18 UNC-2A |
| 7 | 532 12 41-81 | Spring Seat Cprsn 2 250 Blk Zi | 22 | 873 80 05-00 | Nut Hex Lock w/Ins 5/16-18 |
| 8 | 817 00 06-16 | Screw 3/8-16 x 1-1/2 | 24 | 819 17 19-12 | Washer 17/32 x 1-3/16 x 12 Ga. |
| 9 | 819 13 16-14 | Washer 13/32 x 1 x 14 Ga. | 25 | 532 12 70-18 | Bolt Shoulder 5/16-18 x 62 |
| 10 | 532 19 55-30 | Pan Pnt Seat | | | |
| 11 | 532 16 63-69 | Knob Seat Adj. Wingnut | | | |
| 12 | 532 17 46-48 | Bracket Pnt Mounting Switch | | | |

NOTE: All component dimensions given in U.S. inches.
1 inch = 25.4 mm

REPAIR PARTS

TRACTOR- -MODEL NO. CT151 (96061017905) PRODUCT NO. 960 61 01-79
MOWER LIFT



lift-rh.1piece_9

REPAIR PARTS

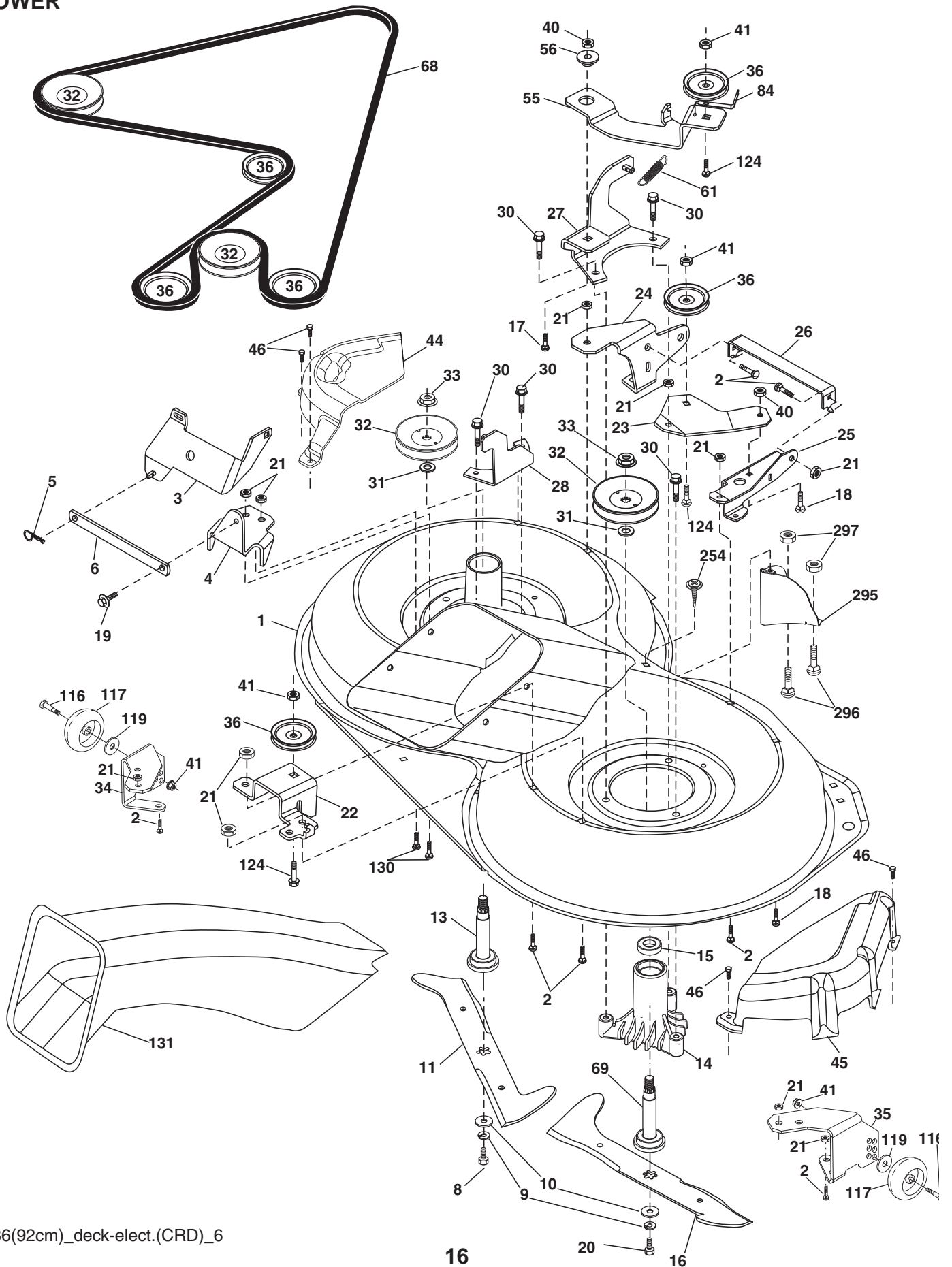
TRACTOR- -MODEL NO. CT151 (96061017905) PRODUCT NO. 960 61 01-79
MOWER LIFT

| KEY NO. | PART NO. | DESCRIPTION |
|---------|---------------------|-----------------------------------|
| 1 | 532 15 94-60 | Washer Asm Inner Spring W/Plunger |
| 2 | 532 15 94-71 | Shaft Asm. Lift |
| 3 | 532 10 57-67 | Pin Groove |
| 4 | 812 00 00-02 | E Ring #5133-62 |
| 5 | 819 21 16-21 | Washer 21/32 x 1 x 21 Ga. |
| 6 | 532 12 01-83 | Bearing Nylon |
| 7 | 532 12 56-31 | Grip Handle |
| 8 | 532 12 23-65 | Button Plunger Black |
| 11 | 532 16 58-29 | Link Lift L.H. |
| 12 | 532 16 58-31 | Link Lift R.H. |
| 13 | 532 12 46-70 | Retainer Spring |
| 15 | 532 17 32-88 | Link Front |
| 16 | 873 35 08-00 | Nut Jam Hex 1/2-13 UNC |
| 17 | 532 17 56-89 | Trunnion |
| 18 | 873 80 08-00 | Nut Lock W/Wsh 1/2-13 UNC |
| 19 | 532 13 98-68 | Arm Suspension Mower |
| 20 | 532 19 42-09 | Pin Cotter 7/16 Bow Tie Lock |
| 23 | 532 11 08-07 | Nut Special |
| 24 | 819 13 10-16 | Washer 13/32 x 5/8 x 16 Ga. |
| 25 | 532 16 40-24 | Spring Comp |
| 26 | 532 16 94-84 | Retainer Clip |
| 27 | 532 16 45-43 | Rod Adj Lift Zinc |
| 28 | 873 35 06-00 | Nut Hex Jam 3/8-16 UNC |
| 29 | 532 13 80-57 | Knob Inf 3/8-16 UNC |
| 30 | 532 15 02-33 | Trunnion Infin Height |
| 31 | 532 16 98-65 | Bearing, Pvt. Lift. |
| 32 | 873 54 06-00 | Nut Crownlock 3/8-24 |
| 36 | 532 15 50-97 | Pointer Height Indicator |
| 37 | 532 12 39-35 | Plug Hole Blk |
| 38 | 817 06 05-16 | Screw 5/16-18 x 1 |
| 40 | 819 11 24-10 | Washer 11/32 x 1-1/2 x 10 Ga. |
| 41 | 532 12 39-34 | Scale Ind Height Blk |
| 49 | 532 14 52-12 | Nut Hex flange lock |
| 50 | 532 11 04-52 | Nut Push Phos &Oil |

NOTE: All component dimensions given in U.S. inches.
1 inch = 25.4 mm

REPAIR PARTS

TRACTOR- -MODEL NO. CT151 (96061017905) PRODUCT NO. 960 61 01-79
MOWER



REPAIR PARTS

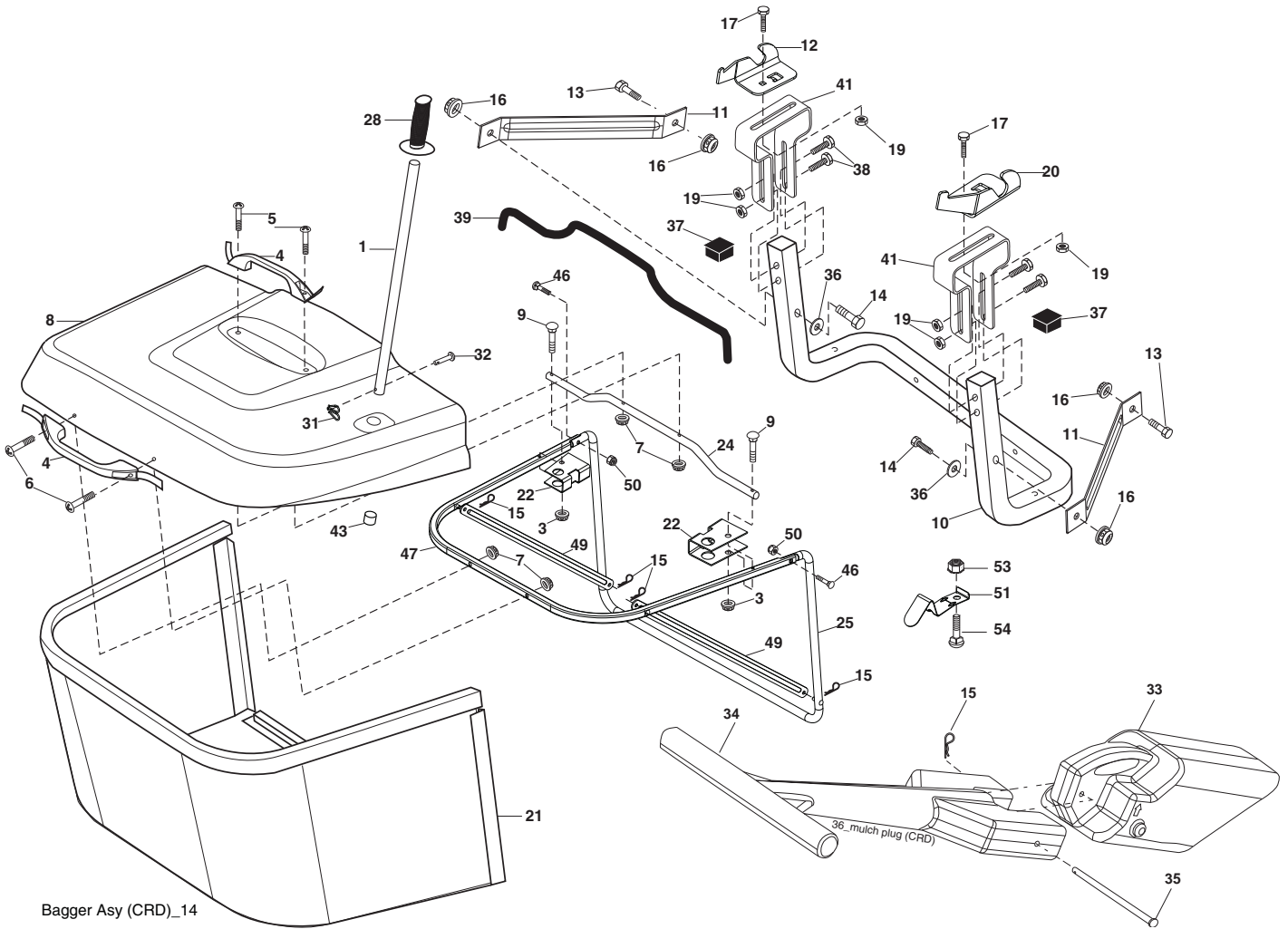
TRACTOR- -MODEL NO. CT151 (96061017905) PRODUCT NO. 960 61 01-79
MOWER

| KEY NO. | PART NO. | DESCRIPTION | KEY NO. | PART NO. | DESCRIPTION |
|---------|---------------------|-------------------------------------|---------|---------------------|--|
| 1 | 532 40 01-08 | Housing Asm. Mower 92 CRD | 41 | 873 90 06-00 | Nut Lock Flg. 3/8-16 UNC |
| 2 | 872 14 05-06 | Bolt Rdhd Sqnk 5/16-18 UNC x 3/4 | 44 | 532 17 55-38 | Cover Mandrel Lh 92 CRD |
| 3 | 532 16 55-69 | Bracket Asm. S-Bar Chass 92 CRD | 45 | 532 17 55-39 | Cover Mandrel Rh 92 CRD |
| 4 | 532 16 55-58 | Bracket Bar Sway Deck 92 CRD | 46 | 532 13 77-29 | Screw Thd Roll 1/4-20 x 5/8 |
| 5 | 532 12 46-70 | Retainer Spring | 55 | 532 19 94-98 | Arm Idler 92 CRD |
| 6 | 532 16 55-57 | Bar Sway 92 CRD | 56 | 532 16 57-23 | Spacer Retainer Mower |
| 8 | 532 18 17-12 | Bolt 3/8-24 x 1.25 Gr. 8 Patched | 61 | 532 16 59-45 | Spring Tension Belt |
| 9 | 810 03 06-00 | Washer Lock Hvy 3/8 Unplated | 68 | 532 40 20-08 | Hex-Belt 92 Mower |
| 10 | 532 14 02-96 | Washer Hard | 69 | 532 16 54-82 | Shaft Asm W/Lwr Brg Rh Thd CRD |
| 11 | 532 18 63-85 | Blade 3-1 Lh 92 CRD | 84 | 532 15 60-85 | Keeper Belt Idler |
| 13 | 532 13 76-45 | Shaft Asm. W/Lower Bearing | 116 | 532 19 34-06 | Bolt Shoulder |
| 14 | 532 12 87-74 | Housing Mandrel Vented (Machd) | 117 | 532 17 48-73 | Wheel Gage |
| 15 | 532 11 04-85 | Bearing Ball Mandrel | 118 | 873 90 06-00 | Nut Lock 3/8-16 UNC |
| 16 | 532 18 63-86 | Blade 3-1 Rh 92 CRD | 119 | 819 13 20-12 | Washer 13/32 x 1-1/4 x 12 GA. |
| 17 | 872 14 06-10 | Bolt Carriage 3/8-16 x 1-1/4 | 124 | 872 11 06-12 | Bolt Carr Sh 3/8-16 x 1-1/2 Gr. 5 |
| 18 | 872 11 06-06 | Bolt Rdhd Sqnk 3/8-16 x 3/4 | 130 | 872 11 05-06 | Bolt Rdhdsqnk 5/16-18 UNC x 3/4 |
| 19 | 532 13 28-27 | Bolt Shoulder 5/16-18 Thd Form | 131 | 532 16 56-61 | Chute Bagger CRD 92cm |
| 20 | 532 18 17-13 | Bolt 3/8-24 x 1.25 Gr. 8 Ptch Lhthd | 254 | 817 00 06-16 | Screw 3/8-16 x 1 |
| 21 | 873 68 05-00 | Nut Crown Lock 5/16-18 | 295 | 532 41 21-71 | Baffle Front |
| 22 | 532 19 95-90 | Bracket Idler Sprt 92 CRD | 296 | 872 14 04-06 | Bolt RDHD SQNK 1/4-20 x 3/4 Gr. 5 |
| 23 | 532 16 54-46 | Bracket Idler Sprt RF 92 CRD | 297 | 873 93 04-00 | Nut Centerlock 1/4-20 UNC |
| 24 | 532 16 52-42 | Bracket Suspension LF 92 CRD | -- | 532 18 18-57 | Mandrel Assembly (Includes hous- ing, shaft assembly, and bear- ing only - pulley/nut/washer and blade bolt/washers not included) |
| 25 | 532 16 52-44 | Bracket Suspension RF 92 CRD | -- | 532 18 18-58 | Mandrel Asm CRD Lh Threads SVC |
| 26 | 532 40 01-10 | Brace Susp Frt CRD | -- | 532 41 37-11 | Replacement Mower, Complete (Std. Deck - Order separately guage wheel components key nos. 116 - 119) |
| 27 | 532 16 55-68 | Bracket Asm. Susp RR 92 CRD | | | |
| 28 | 532 16 55-67 | Bracket Asm. Susp LR 92 CRD | | | |
| 30 | 532 17 39-84 | Screw Thd Rolling | | | |
| 31 | 532 18 76-90 | Washer Spacer Mower Vented | | | |
| 32 | 532 15 35-32 | Mandrel Pulleys | | | |
| 33 | 532 40 02-34 | Nut Flg Top Lock | | | |
| 34 | 532 40 01-07 | Bracket Gauge Wheel Lf 92 CRD | | | |
| 35 | 532 40 01-06 | Bracket Gauge Wheel Rf 92 CRD | | | |
| 36 | 532 14 67-63 | Pulley Idler V-Groove Dim 4.25 | | | |
| 40 | 873 68 06-00 | Nut Crownlock 3/8-16 UNC | | | |

NOTE: All component dimensions given in U.S. inches
1 inch = 25.4 mm

REPAIR PARTS

TRACTOR- -MODEL NO. CT151 (96061017905) PRODUCT NO. 960 61 01-79
BAGGER



REPAIR PARTS

TRACTOR- -MODEL NO. CT151 (96061017905) PRODUCT NO. 960 61 01-79
BAGGER

| KEY NO. | PART NO. | DESCRIPTION |
|---------|---------------------|---------------------------------------|
| 1 | 532 16 52-49 | Tube Handle Bagger CRD |
| 3 | 532 12 39-76 | Nut Lock 1/4 Lge Flg Gr. 5 Zinc |
| 4 | 532 16 99-16 | Handle Bagger w/Lvrs Blk CRD |
| 5 | 874 98 10-24 | Screw Pan Head #10-24 x 1.50 Blk |
| 6 | 874 98 10-32 | Screw Pan Hd |
| 7 | 873 40 10-00 | Nut Wiz Lock Hex Serr/Hd 10-24 |
| 8 | 532 18 10-95 | Cover Bagger CRD MS422 |
| 9 | 872 14 04-18 | Bolt Carriage 1/4-20 x 2.25d x Gr. 5 |
| 10 | 532 18 12-82 | Tube Support Bagger CRD |
| 11 | 532 16 57-19 | Bracket Support Upper Bag CRD |
| 12 | 532 18 88-48 | Bracket Pivotn Lh |
| 13 | 874 76 06-12 | Bolt fin Hex 3/8-16 UNC x 3/4 |
| 14 | 874 52 06-36 | Bolt Carr. |
| 16 | 873 90 06-00 | Nut Lock Flg. 3/8-16 UNC |
| 15 | 532 12 46-70 | Retainer Spring |
| 17 | 872 14 05-06 | Bolt Rdhd Sht Sqnk 5/16 -18 UNC x 3/4 |
| 19 | 873 90 05-00 | Nut Lock Hexflange 5/16-18 |
| 20 | 532 18 88-47 | Bracket Pivot Rh |
| 21 | 532 40 61-80 | Bag Asm CRD |
| 22 | 532 16 57-81 | Bracket Side Bagger CRD |
| 24 | 532 16 57-83 | Tube Pivot Bagger CRD |
| 25 | 532 19 37-05 | Tube Front Bagger CRD |
| 28 | 532 16 57-87 | Grip Handle Black |
| 31 | 532 16 94-84 | Retainer Clip |
| 32 | 532 12 68-75 | Rivet Rd Hd Drilled 3/8 Dia |
| 33 | 532 16 55-71 | Plug Mulcher 92 CRD |
| 34 | 532 16 55-70 | Handle Mulcher 92/107 CRD |
| 35 | 532 16 55-72 | Pin Mulcher 92/107 CRD |
| 36 | 819 13 20-12 | Washer 13/32 x 1-1/4 x 12 Ga. |
| 37 | 532 17 54-01 | Plug Support Bagger CRD |
| 38 | 872 01 05-20 | Bolt 5/16-18 x 2-1/2 |
| 39 | 532 18 09-85 | Seal 37" |
| 41 | 532 16 96-83 | Bracket Vert Adj Bagger CRD |
| 43 | 532 17 40-83 | Plug Tubing |
| 46 | 872 11 05-10 | Bolt Carr. 5/16-18 x 1-1/4 Gr.5 |
| 47 | 532 19 37-04 | Tube Upper Bagger |
| 49 | 532 19 33-05 | Bar Spreader |
| 50 | 873 80 05-00 | Nut Lock Thx w/Ins. 5/16-18 UNC |
| 51 | 532 19 99-03 | Latch Spring Bagger |
| 53 | 873 51 04-00 | Nut Keps Hex 1/4-20 UNC |
| 54 | 872 14 04-06 | Bolt Rdhd Sqnk 1/4-20 x 3/4 Gr. 5 |

NOTE: All component dimensions given in U.S. inches
1 inch = 25.4 mm