



# LTH171

**Spare parts**

**Ersatzteile**

**Pièces détachées**

**Reserve onderdelen**

**Repuestos**

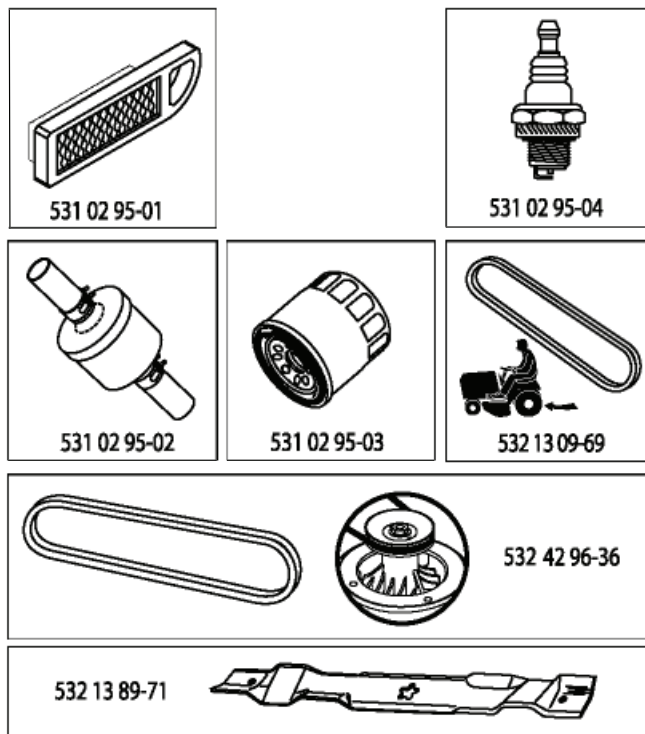
**Reservdelar**

# ILLUSTRATED PARTS LIST

**MODEL NO. 96041002302**

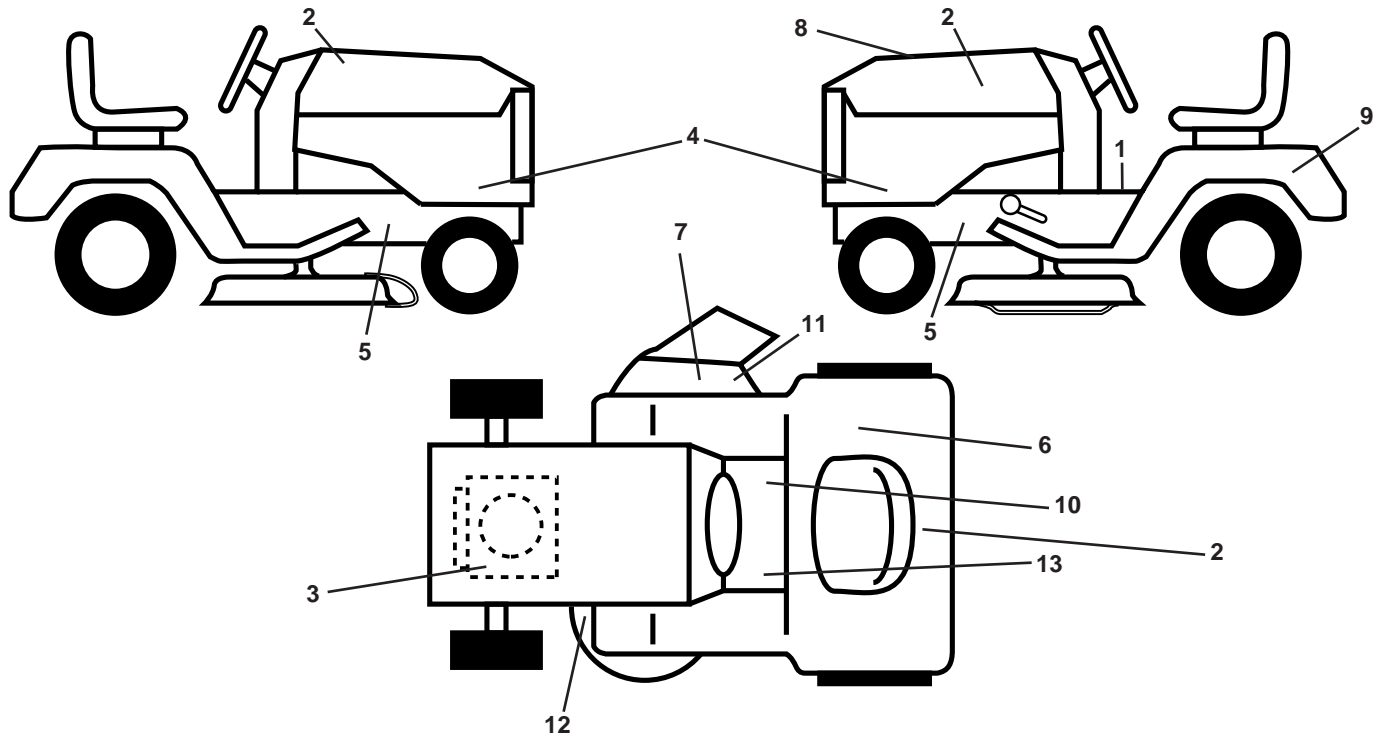
**CUSTOMER CATALOG NO. LTH171**

**PRODUCT NO. 960 41 00-23**



408773

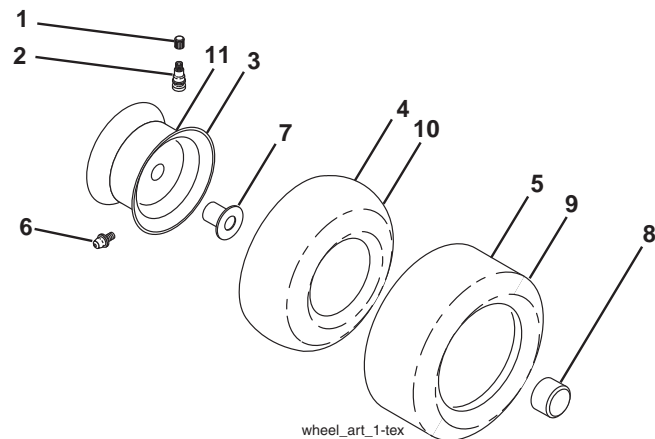
**TRACTOR - - MODEL NUMBER LTH171 (96041002302), PRODUCT NO. 960 41 00-23  
DECALS**



KEY NO.	PART NO.	DESCRIPTION
1	532 40 03-89	Decal, Operators
2	532 40 28-32	Decal, Hood
3	532 19 68-41	Decal, Warning Eng. Symbols
4	532 40 85-99	Decal, Hood Panel
5	532 15 97-36	Decal, Chassis Hot Muffler
6	532 18 04-32	Decal, Fender 100 DB/CE
7	532 18 21-66	Decal, Cutfinger CE
8	532 40 87-73	Decal, Rpl. Kohl 17
9	532 14 50-05	Decal, Battery Dan./Poi.
10	532 14 08-37	Decal, Saddle Brake Parking
11	532 19 63-57	Decal, Warning

KEY NO.	PART NO.	DESCRIPTION
12	532 16 03-96	Decal, Mower V-Belt Schematic
13	532 15 97-37	Decal, Brake/Clutch Symbol
--	532 41 08-05	Pad, Footrest, LH
--	532 41 10-56	Pad, Footrest, RH
--	532 16 25-98	Decal, Drawbar Load Limit
--	532 16 69-60	Decal, Bypass
--	532 40 89-69	Manual Oper. Euro
--	532 40 89-70	Manual Oper. Scand
--	532 40 89-71	Manual Oper. E-Bloc
--	532 40 89-72	Manual Oper. Baltic

**WHEELS AND TIRES**

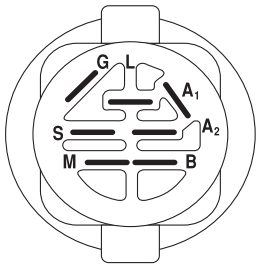
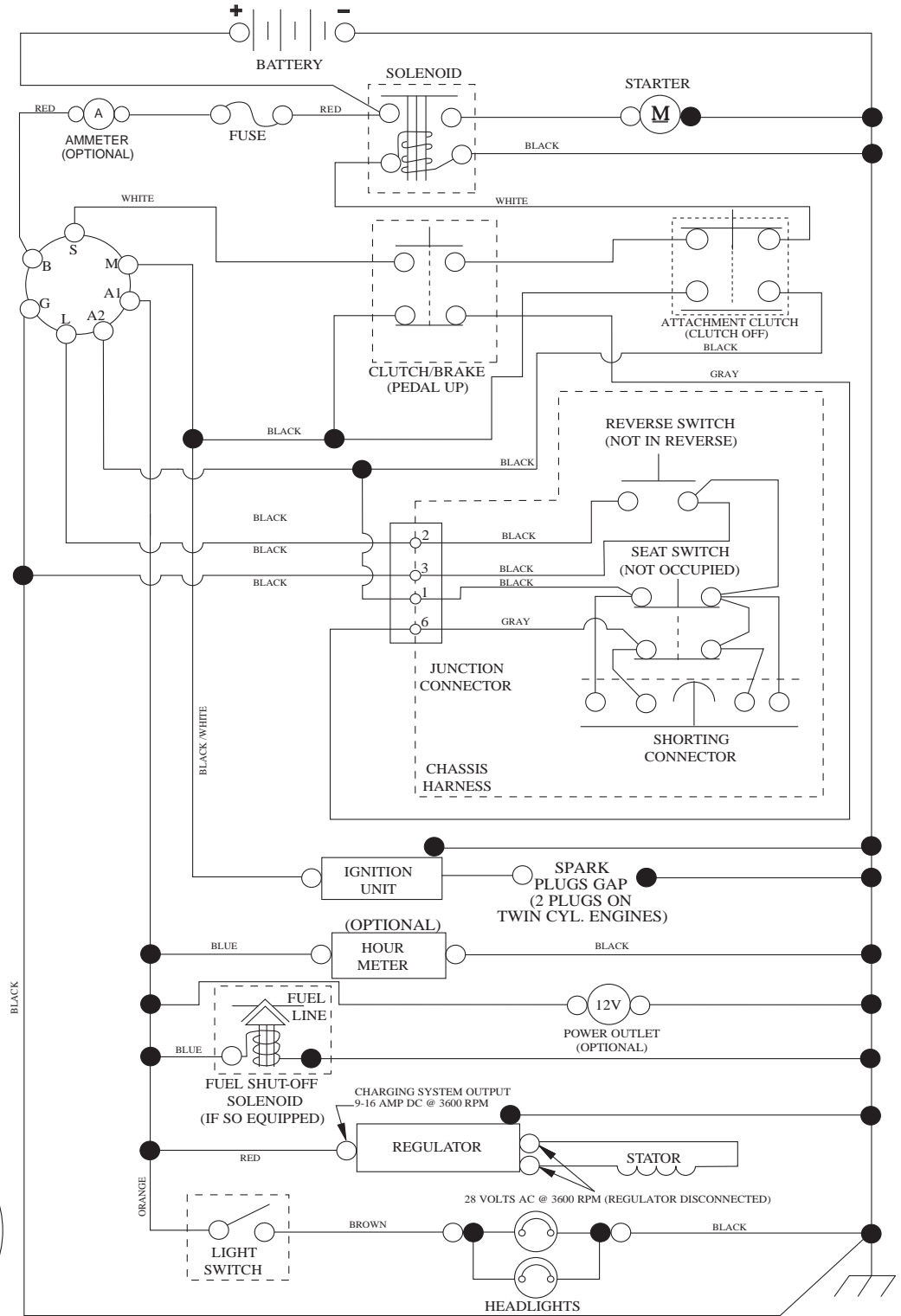


KEY NO.	PART NO.	DESCRIPTION
1	532 05 91-92	Cap Valve Tire
2	532 06 51-39	Stem Valve
3	532 13 83-36	Rim Asm. 6" Front Service
4	532 05 99-04	Tube Front (Service Item Only)
5	532 10 62-22	Tire F T 15 x 6 0 - 6 Service
6	532 12 49-57	Fitting Grease (Front Wheel Only)
7	532 12 49-59	Bearing Flange (Front Wheel Only)
8	532 17 50-39	Cap Axle Blk. 1 50 x 1 00
9	532 12 20-82	Tire R T 20 x 10-8 Service
10	532 12 49-26	Tube Rear (Service Item Only)
11	532 13 83-37	Rim Asm. 8" Rear Service
--	532 14 43-34	Sealant, Tire (10 oz. Tube)

**NOTE:** All component dimensions given in U.S. inches  
1 inch = 25.4 mm

# TRACTOR - - MODEL NUMBER LTH171 (96041002302), PRODUCT NO. 960 41 00-23 SCHEMATIC

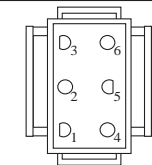
SCH10



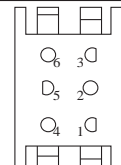
IGNITION SWITCH

POSITION	CIRCUIT	"MAKE"
OFF	M+G+A1	
RUN/OVERRIDE	B+A1	
RUN	B+A1	L+A2
START	B + S + A1	

03107



CHASSIS HARNESS CONNECTOR (MATING SIDE)



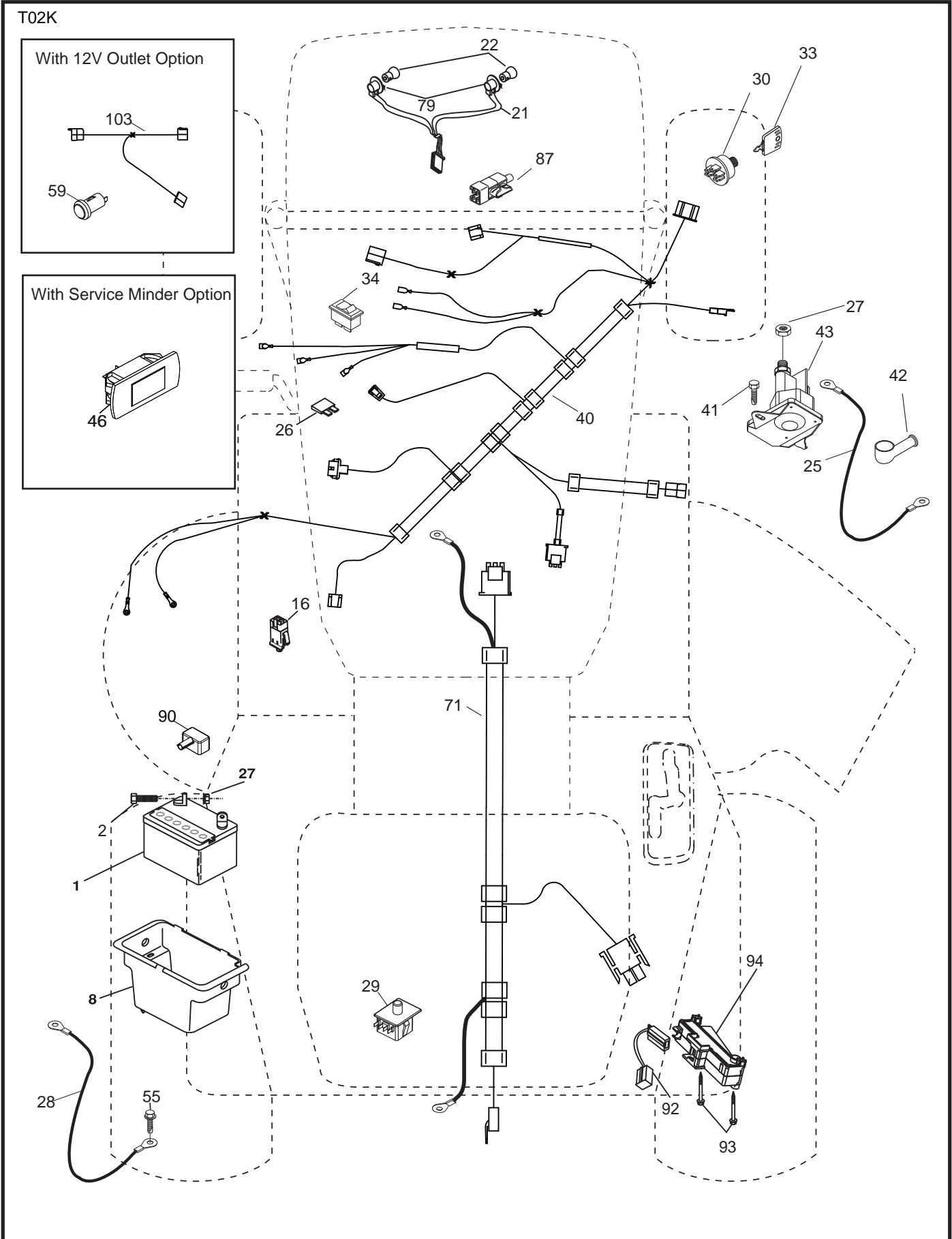
DASH HARNESS CONNECTOR (MATING SIDE)

WIRING INSULATED CLIPS  
NOTE: IF WIRING INSULATED CLIPS WERE REMOVED FOR SERVICING OF UNIT, THEY SHOULD BE RE-INSTALLED TO PROPERLY SECURE YOUR WIRING.

NON-REMOVABLE CONNECTIONS

REMOVABLE CONNECTIONS

**TRACTOR - - MODEL NUMBER LTH171 (96041002302), PRODUCT NO. 960 41 00-23  
ELECTRICAL**

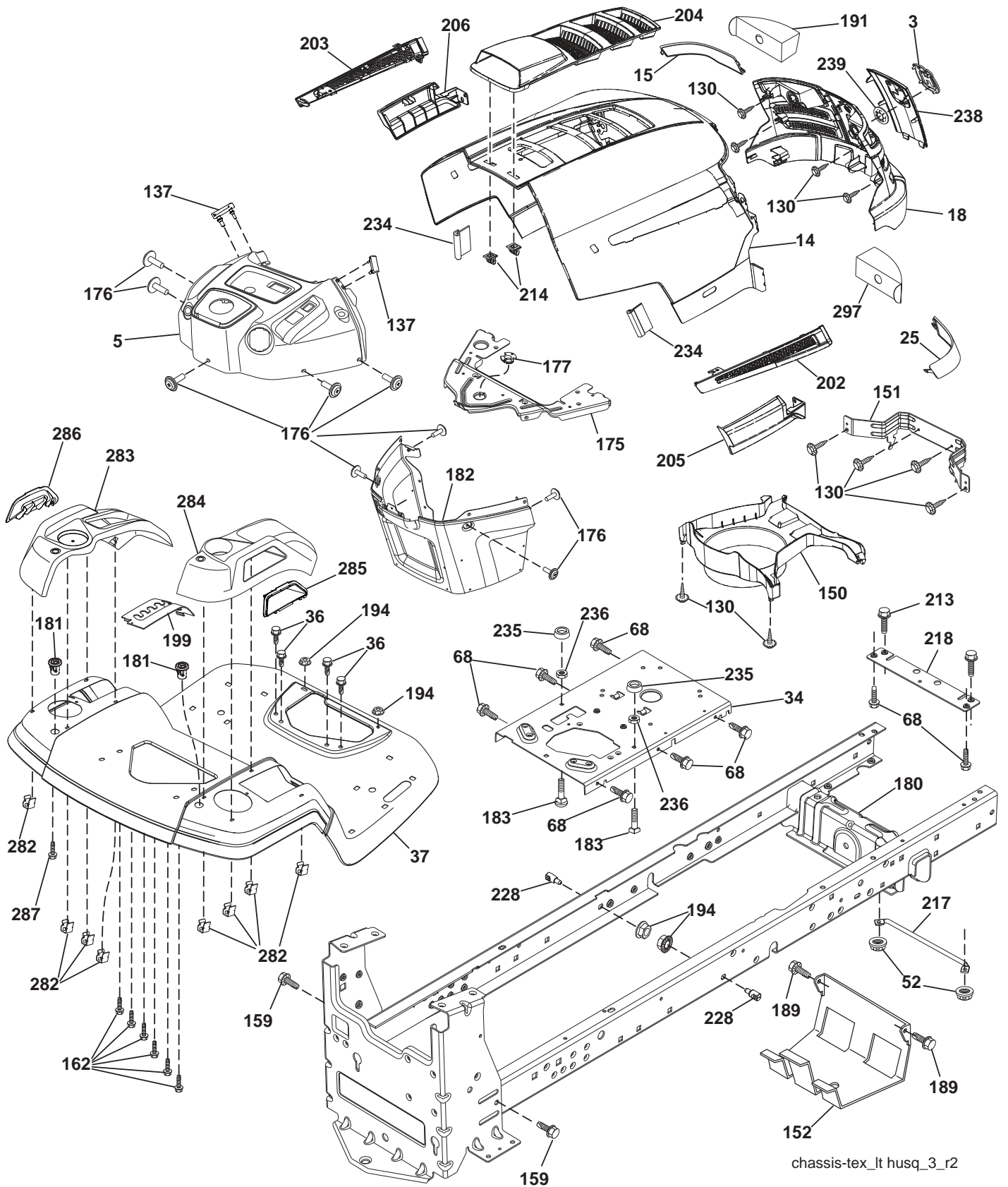


**TRACTOR - - MODEL NUMBER LTH171 (96041002302), PRODUCT NO. 960 41 00-23  
ELECTRICAL**

<b>KEY NO.</b>	<b>PART NO.</b>	<b>DESCRIPTION</b>
1	532 16 34-65	Battery
2	874 76 04-12	Bolt Hex Head 1/4-20 x 3/4
8	532 19 32-28	Box Battery
16	532 17 61-38	Switch Interlock Push-In
21	532 40 02-52	Harness Socket Light w/4152J
22	532 00 41-52	Bulb Light
25	532 40 16-62	Cable Starter
26	532 17 51-58	Fuse
27	873 51 04-00	Nut Keps Hex 1/4-20 unc
28	532 19 88-85	Cable, Ground
29	532 40 15-45	Switch, Seat
30	532 19 33-50	Switch, Ign.
33	532 41 19-35	Key/Chain
34	532 11 07-12	Switch Light/Reset
40	532 40 10-98	Harness Ign. Dash
41	817 72 04-08	Screw Thd. Cut 1/4-20 x 1/2
42	532 13 15-63	Cover, Terminal
43	532 19 25-07	Solenoid
46	532 41 39-31	Gauge Srvc. Mndr. Hr. Mtr.
55	817 06 05-12	Screw Thdrol. 5/16-18 x 3/4 TYTT
71	532 40 04-49	Harness Ign. Chassis
79	532 17 52-42	Socket Asm.
87	532 19 78-02	Switch Interlock Clutch Cable
90	532 40 07-25	Cover Terminal
92	532 19 66-15	Harness Pigtail Reverse Switch
93	532 19 25-40	Screw Plastite 10-14 x 2.0
94	532 19 18-34	Module Reverse ROS

**NOTE:** All component dimensions given in U.S. inches  
1 inch = 25.4 mm

TRACTOR -- MODEL NUMBER LTH171 (96041002302), PRODUCT NO. 960 41 00-23  
CHASSIS



chassis-tex\_lt husq\_3\_r2

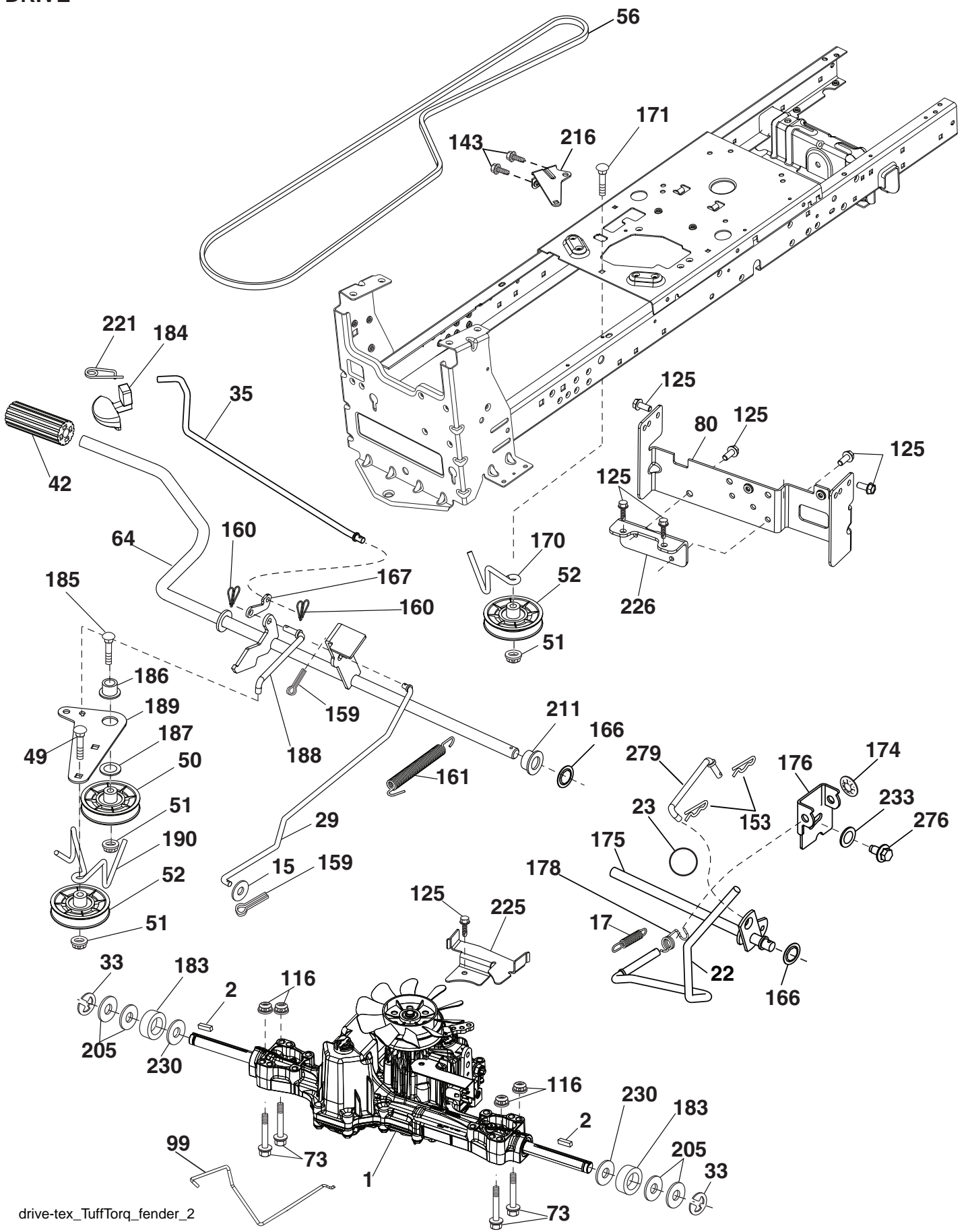
**TRACTOR - - MODEL NUMBER LTH171 (96041002302), PRODUCT NO. 960 41 00-23  
CHASSIS**

<b>KEY NO.</b>	<b>PART NO.</b>	<b>DESCRIPTION</b>	<b>KEY NO.</b>	<b>PART NO.</b>	<b>DESCRIPTION</b>
3	532 40 50-12	Logo	199	532 41 34-85	Plate Deck Lift Husqvarna LT
5	532 40 75-92	Dash	202	532 41 10-74	Vent Side Hood RH
14	532 41 10-73	Hood	203	532 41 10-75	Vent Side Hood LH
15	532 41 10-79	Lens LH	204	532 41 11-16	Vent Top Hood
18	532 40 66-67	Grille/Lens Asm.	205	532 41 10-76	Skirt Side RH
25	532 41 10-78	Lens RH	206	532 41 10-77	Skirt Side LH
34	532 19 61-25	Plate Engine	213	874 76 05-12	Bolt 5/16-18 x 3/4
36	817 06 05-12	Screw 5/16-18 x 3/4	214	532 19 91-45	Clip Retainer
37	532 41 63-07	Fender	217	532 40 91-67	Rod Pivot Hood
52	873 68 05-00	Nut Crown Lock 5/16	218	532 19 63-95	X-Piece Hood Stop
68	817 49 05-08	Screw Thdrol. 5/16-18 x 1/2	228	532 19 51-61	Stud Fastener
130	532 19 16-11	Screw 10 x 3/4 Single Lead-Hex	234	532 40 47-42	Bumper Hood
137	532 40 75-90	Bumper Dash	235	532 40 61-29	Spacer Fender
150	532 40 75-37	Air Duct	236	873 93 05-00	Nut Lock 5/16-18 unc
151	532 40 78-07	Bracket Pivot	238	532 41 11-19	Trim
152	532 19 95-35	Shield Browning	239	532 40 48-83	Clip Tinnerman
159	<b>817 00 06-12</b>	Screw Hexwsh Thdr 3/8-16 x 3/4	282	532 41 41-10	Clip Retainer Console
162	532 14 24-32	Screw	283	532 41 63-16	Console Deck Lift Husq. N/FR GR
175	532 19 94-72	Crossmember	284	532 41 63-45	Console Shft. Hyd. HUSQ. LT
176	532 40 07-76	Screw 10-24 x 5/8	285	532 41 63-15	Console INSRT RH HUSQ
177	532 19 52-28	Bushing Steering	286	532 41 63-17	Console INSRT LH HUSQ
180	532 19 54-57	Chassis	287	817 60 04-06	Screw Hex WASHEAD 1/4-20 x 3/8
182	532 40 71-76	Dash Lower			
183	874 78 05-20	Bolt 5/16-18 unc x 1-1/4			
189	817 00 05-12	Screw 5/16-18 x 3/4			
191	532 40 66-65	Insert Reflective			
194	873 90 05-00	Nut Lock Hex Flange 5/16-18			

**NOTE:** All component dimensions given in U.S. inches  
1 inch = 25.4 mm



TRACTOR - - MODEL NUMBER LTH171 (96041002302), PRODUCT NO. 960 41 00-23  
DRIVE



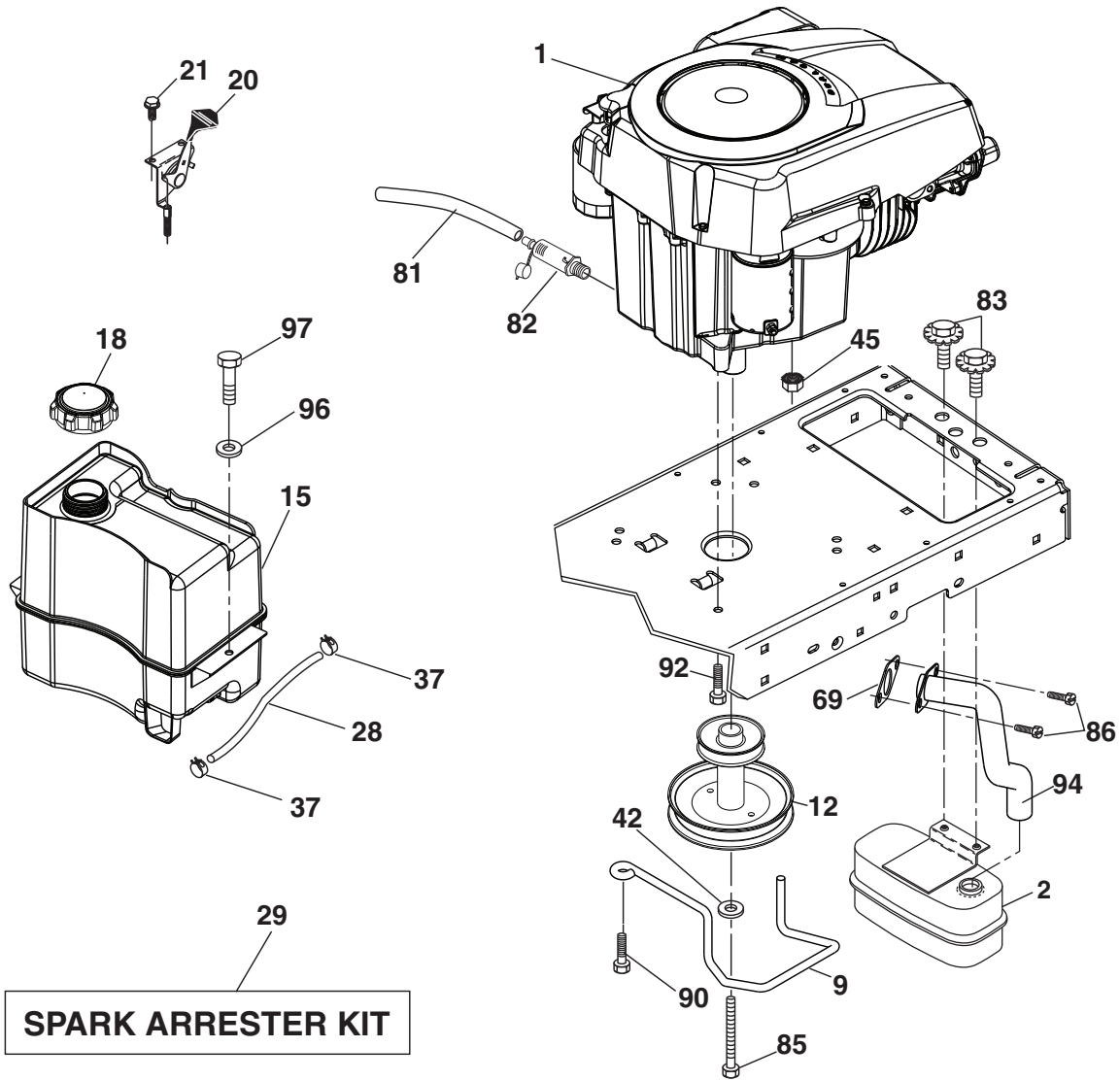
drive-tex\_TuffTorq\_fender\_2

**TRACTOR - - MODEL NUMBER LTH171 (96041002302), PRODUCT NO. 960 41 00-23  
DRIVE**

KEY NO.	PART NO.	DESCRIPTION	KEY NO.	PART NO.	DESCRIPTION
1	----	Transaxle, TUFFTORQ K46 BA (Internal parts not available)	170	532 19 43-22	Keeper Belt Centerspan
2	532 12 35-83	Key	171	872 11 06-16	Bolt Rdhd. Sqnk. 3/8-16 unc x 2
15	819 13 13-16	Washer 13/32 x 13/16 x 16 Ga.	174	532 19 72-89	Nut Push
17	532 41 36-78	Spring Brake	175	532 40 62-08	Shaft Asm. Shift
22	532 19 76-60	Rod Shift	176	532 19 62-14	Arm Clevis Rod Shift
23	532 12 12-74	Knob	178	532 19 74-56	Spring Shift
29	532 40 38-06	Rod, Brake	183	532 13 70-57	Spacer Split
33	812 00 00-01	Ring E	184	532 40 97-47	Handle Parking Brake
35	532 40 10-31	Rod Brake Park	185	872 11 06-20	Bolt Rdhd. Sqnk. 3/8-16 x 2-1/2
42	532 12 48-72	Cover Foot Pedal	186	532 19 43-21	Spacer Retainer
49	872 11 06-14	Bolt	187	819 13 32-10	Washer
50	532 19 43-27	Pulley Idler Flat	188	532 19 43-23	Link Clutch Ground Drive
51	873 90 06-00	Lock Nut 3/8-16	189	532 19 43-17	Bellcrank Ground Drive
52	532 19 43-26	Idler V-Groove 910" Offset	190	532 19 43-18	Keeper Bellcrank Ground Drive
56	532 13 09-69	V-Belt Drive	205	532 12 17-48	Washer
64	532 19 62-00	Shaft Asm. Pedal Brake Control	211	532 19 62-12	Bushing Brake Shaft
73	874 49 05-44	Bolt Hex Flghd. 5/16-18 Gr. 5	216	532 19 61-31	Bracket Pulley Idler
80	532 41 00-24	Strap Torque	221	532 40 31-87	Retainer Spring Clip Handle
99	532 40 59-03	Rod Asm. Bypass	225	532 40 33-19	Keeper Belt Trans.
116	873 90 05-00	Nut Lock Hex Flange 5/16-18	226	532 40 15-64	Bracket Mount Torque
125	817 00 05-12	Screw 5/16-18 x 3/4	230	532 18 89-67	Washer Hardened
143	817 49 05-08	Screw 5/16-18 x 1/2	233	532 40 52-96	Washer Serrated
153	532 12 47-88	Retainer Spring	276	874 78 07-16	Bolt 7/16-14 x 1 Gr. 5
159	876 02 04-12	Pin Cotter 1/8 x 3/4	279	532 40 62-07	Link Shift
160	532 16 94-84	Retainer Clip			
161	532 19 54-03	Spring Return Clutch			
166	532 19 72-90	Nut Push			
167	532 40 52-57	Latch Brake Parking			

**NOTE:** All component dimensions given in U.S. inches  
1 inch = 25.4 mm

**TRACTOR - - MODEL NUMBER LTH171 (96041002302), PRODUCT NO. 960 41 00-23  
ENGINE**



**SPARK ARRESTER KIT**

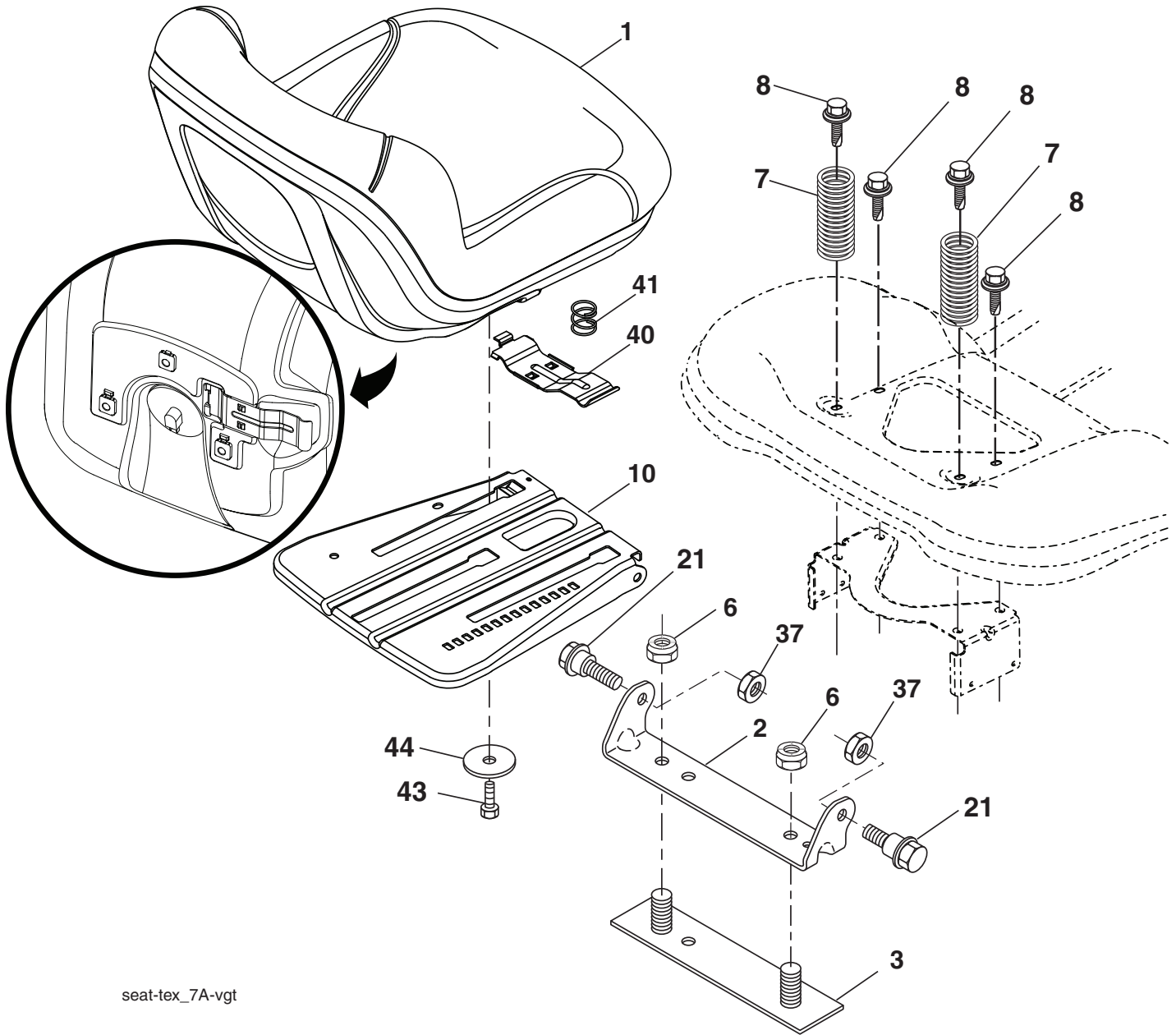
engine-tex\_13-Kohl\_r3

KEY NO.	PART NO.	DESCRIPTION
1	-----	Engine Kohler Model No. SV530
2	532 18 86-55	Muffler
9	532 19 43-20	Keeper Belt Engine
12	532 40 54-71	Pulley Engine
15	532 40 75-45	Tank Fuel 1.5
18	532 19 77-25	Cap Asm.
20	532 18 38-97	Control Throttle
21	532 19 16-11	Screw 10 x 3/4 Single Lead-Hex
28	532 13 70-40	Fuel Line
29	532 13 71-80	Spark Arrester Kit
37	532 12 34-87	Clamp Hose
42	810 04 07-00	Bolt 5/16-18 unc x 3/4 w/Sems.
45	873 51 04-00	Nut Keps Hex 1/4-20 unc
69	532 18 59-09	Gasket (Order From Eng. Mfgr.)

KEY NO.	PART NO.	DESCRIPTION
81	532 14 84-56	Tube Drain Oil Easy
82	532 18 16-54	Plug Drain Oil
83	532 17 18-77	Bolt 5/16-18 unc x 3/4 w/Sems.
85	532 17 39-37	Bolt Hex 7/16-20 x 4 Gr. 5
86	532 19 23-34	Screw Socket 5/16-18 x .75
90	817 00 06-16	Screw 3/8-16 x 1
92	817 12 06-16	Screw 3/8-16 x 1
94	532 18 86-54	Tube Exhaust
96	819 09 14-16	Washer 9/32 x 7/8 x 16 Ga.
97	817 67 04-12	Screw 1/4-20 x 3/4

**NOTE:** All component dimensions given in U.S. inches  
1 inch = 25.4 mm

**TRACTOR - - MODEL NUMBER LTH171 (96041002302), PRODUCT NO. 960 41 00-23  
SEAT ASSEMBLY**



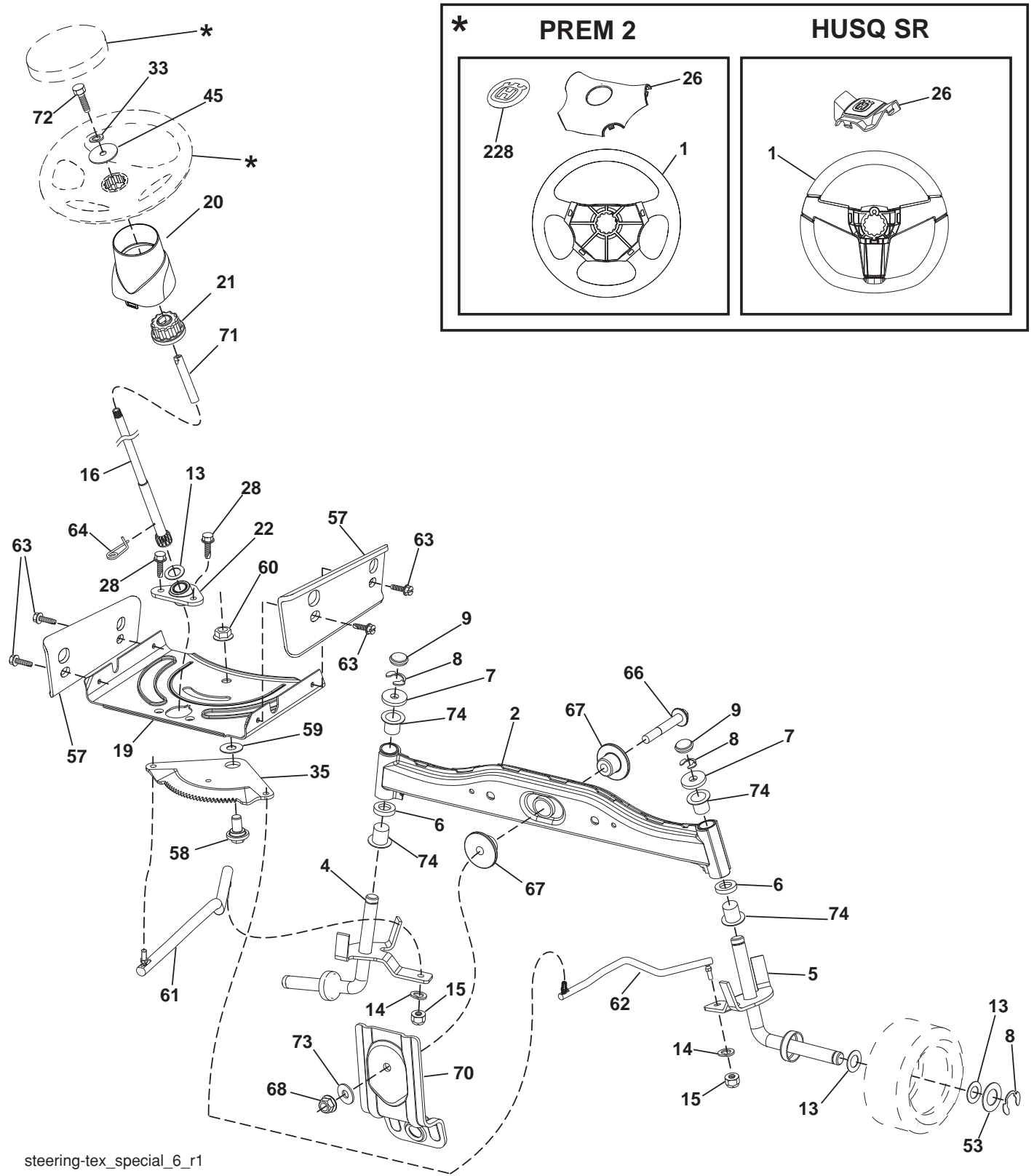
seat-tex\_7A-vgt

KEY NO.	PART NO.	DESCRIPTION
1	532 19 75-18	Seat
2	532 18 01-66	Bracket Pivot Fender
3	532 14 06-75	Strap, Asm. Fender
6	873 80 06-00	Nut, Lock w/Ins. 3/8-16 unc
7	532 12 41-81	Spring, Seat Cprsn.
8	532 17 18-77	Bolt 5/16-18 unc x 3/4 w/Sems.
10	532 19 69-77	Pan, Seat
21	532 17 18-52	Bolt, Shoulder 5/16-18

KEY NO.	PART NO.	DESCRIPTION
37	873 80 05-00	Nut, Lock 5/16-18 unc
40	532 19 76-61	Handle Slide
41	532 19 82-00	Spring Latch
43	874 76 06-12	Bolt 3/8-16 unc x 3/4
44	819 13 38-12	Washer 13/32 x 2 3/8 x 12 Ga.

**NOTE:** All component dimensions given in U.S. inches  
1 inch = 25.4 mm

**TRACTOR - - MODEL NUMBER LTH171 (96041002302), PRODUCT NO. 960 41 00-23  
STEERING ASSEMBLY**



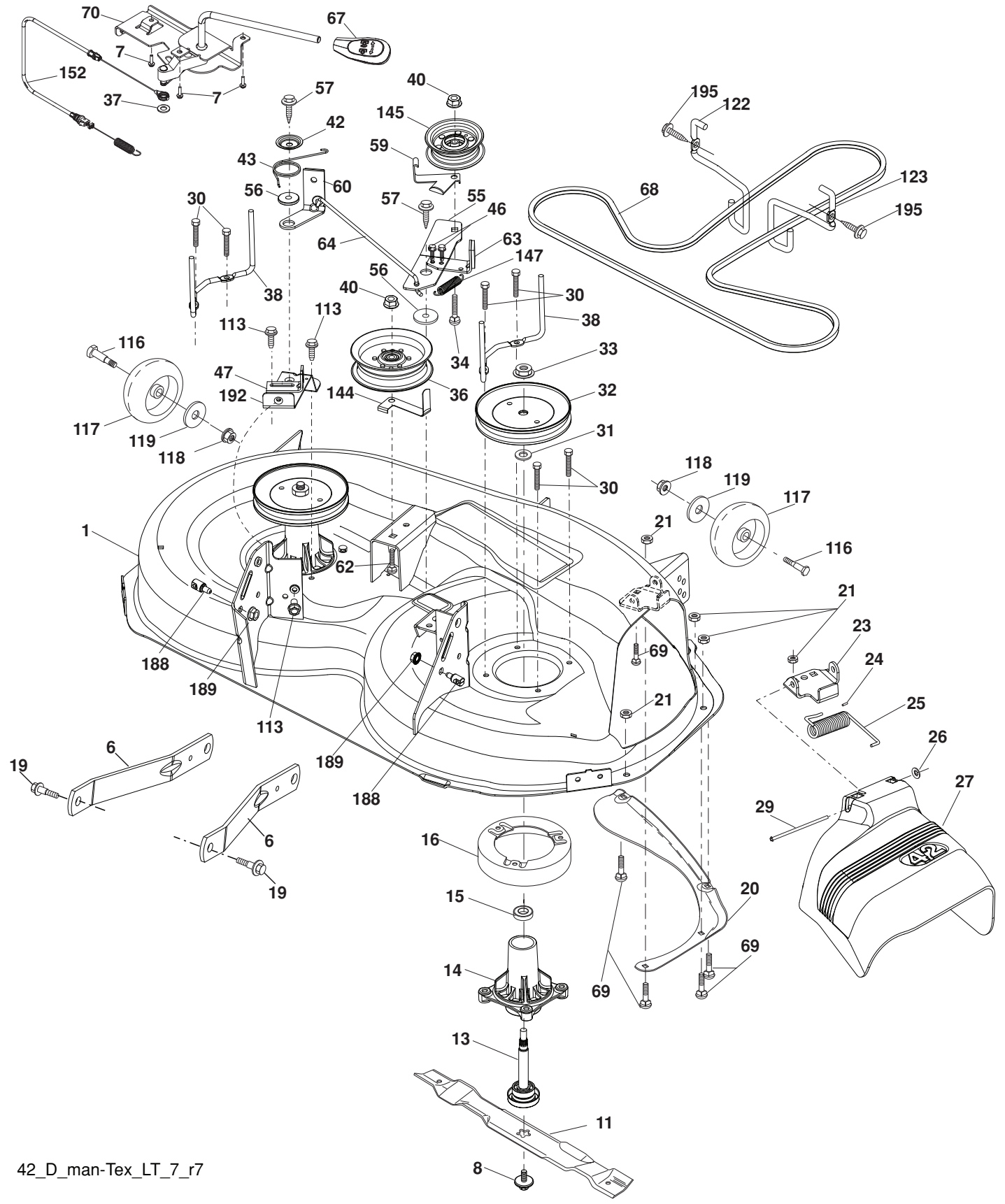
steering-tex\_special\_6\_r1

**TRACTOR - - MODEL NUMBER LTH171 (96041002302), PRODUCT NO. 960 41 00-23  
STEERING ASSEMBLY**

<b>KEY NO.</b>	<b>PART NO.</b>	<b>DESCRIPTION</b>
1	532 41 64-80	Wheel, Steering Husq SR
--	532 19 36-51	Wheel, Steering Prem 2
2	532 19 56-73	Axle Asm., Front
4	532 40 30-87	Spindle Asm., LH
5	532 40 30-88	Spindle Asm., RH
6	532 12 49-31	Bearing, Race Thrust Harden
7	532 12 17-48	Washer 25/32 x 1-5/8 x 16 Ga.
8	812 00 00-29	Ring, Clip #T5304-75
9	532 12 12-32	Cap, Spindle
13	532 12 17-49	Washer 25/32 x 1-1/4 x 16 Ga.
14	810 04 06-00	Washer, Lock Hvy. Hlcl. Spr. 3/8
15	873 54 06-00	Nut, Crown Lock 3/8-24 unf
16	532 19 60-74	Shaft Steering
19	532 19 47-29	Plate Steering
20	532 41 11-39	Boot, Steering
21	532 18 67-37	Adapter, Wheel Steering
22	532 19 48-45	Bushing, Strg. Blk.
26	532 41 59-87	Insert, Wheel, Steering Husq SR
--	532 19 36-52	Insert, Wheel, Steering Prem 2
28	817 00 06-12	Screw 3/8-16 x 3/4
33	810 04 05-00	Washer Lock 5/16
35	532 19 47-32	Gear, Sector Plate
45	819 11 38-12	Washer 11/32 x 3/8 x 12 Ga.
53	532 18 89-67	Washer Hardened
57	532 40 74-65	Bracket Upstop
58	532 19 47-47	Bolt Shoulder Sector Pivot CFM
59	532 19 47-48	Washer Thrust Sector Steering
60	873 97 10-00	Nut Flange Lock 5/8-11
61	532 19 47-40	Draglink, LH
62	532 19 47-41	Draglink, RH
63	817 00 05-12	Screw 5/16-18 x 3/4
64	532 19 98-49	Retainer Clip Spring Steering
66	871 02 07-48	Bolt Hex Fghd. 7/16-14 x 3 Serr.
67	532 19 47-37	Bushing PM Front Axle
68	873 90 07-00	Nut Lock Flange 7/16-14 Gr. 5
70	532 19 61-97	Bracket Deck Susp. Front
71	532 19 60-75	Shaft Extension Steering
72	874 78 05-72	Bolt 5/16-18 unc x 4.5. Gr. 5
73	532 19 91-62	Washer 1.5 x .505 x .118
74	532 12 49-37	Bearing
228	532 40 44-84	Decal Wheel Steering

**NOTE:** All component dimensions given in U.S. inches  
1 inch = 25.4 mm

TRACTOR - - MODEL NUMBER LTH171 (96041002302), PRODUCT NO. 960 41 00-23  
MOWER DECK



42\_D\_man-TeX\_LT\_7\_r7

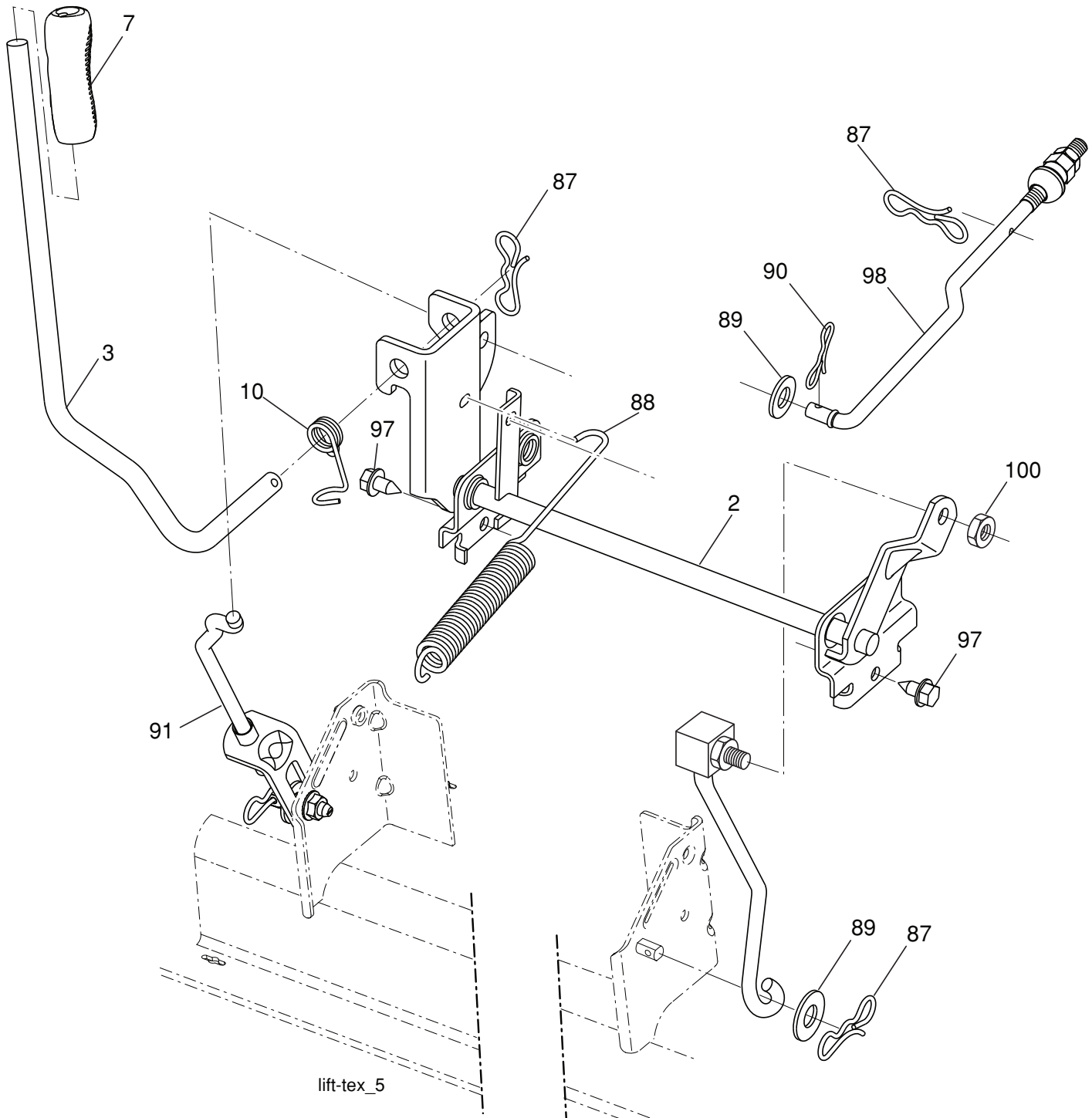
**TRACTOR - - MODEL NUMBER LTH171 (96041002302), PRODUCT NO. 960 41 00-23  
MOWER DECK**

KEY NO.	PART NO.	DESCRIPTION	KEY NO.	PART NO.	DESCRIPTION
1	532 19 64-95	Mower Housing	57	817 00 06-16	Screw 3/8-16 x 1
6	532 19 51-86	Arm Suspension	59	532 14 10-43	Guard, Tuv. Idler
7	532 19 16-11	Screw 10 x 3/4 Single Lead Hex	60	532 19 72-61	Arm Brake Mower
8	532 19 30-03	Bolt/Washer Asm. 7/16-20 unf	62	872 11 06-16	Bolt 3/8-16 unc x 2
11	532 13 89-71	Blade Mower 42" Hi Lift Premium (For better wear when mulching)	63	532 19 94-77	Arm Brake Mower
13	532 19 28-72	Shaft Assembly, Mandrel	64	532 19 97-90	Link Brake
14	532 18 72-81	Housing, Mandrel	67	532 40 30-12	Handle Clutch Cable
15	532 11 04-85	Bearing, Ball, Mandrel	68	532 42 96-36	V-Belt
16	532 17 44-93	Stripper Mandrel Deck	69	872 14 05-05	Bolt
19	532 19 65-39	Bolt, Shoulder	70	532 40 12-46	Clutch Asm. Manual
20	532 15 97-70	Baffle Vortex	113	817 00 05-10	Screw 5/16-18
21	873 68 05-00	Nut, Crownlock 5/16-18 unc	116	532 12 48-42	Bolt Shoulder
23	532 19 25-57	Bracket, Deflector	117	532 18 86-06	Wheel Gauge
24	532 10 53-04	Cap, Sleeve	118	873 93 06-00	Nut Centerlock 3/8-16 unc
25	532 19 70-26	Spring, Torsion, Deflector	119	819 12 14-14	Washer 3/8 x 7/8 x 14 Ga.
26	532 11 04-52	Nut, Push	122	532 19 72-58	Keeper Belt Engine LH
27	532 40 30-04	Shield, Deflector	123	532 19 72-59	Keeper Belt Engine RH
29	532 13 14-91	Rod, Hinge	144	532 19 92-04	Keeper Belt
30	532 17 39-84	Screw Thdrol. Rolling Wsh. Hd.	145	532 19 31-97	Pulley Idler
31	532 18 76-90	Washer, Spacer	147	532 40 19-71	Spring Return
32	532 19 74-73	Pulley, Mandrel	152	532 40 87-14	Manual Clutch Cable
33	532 40 02-34	Nut, Toplock, Flanged	188	532 19 51-61	Stud Fastener
34	872 11 06-12	Bolt Carr. Sh. 3/8-16 x 1-1/2 Gr. 5	189	873 90 05-00	Nut Lock Hex Flange
36	532 19 73-79	Pulley, Idler, Flat	192	532 19 72-60	Bracket Brake Stand LH
37	819 13 13-16	Washer	195	817 00 06-12	Screw 3/8-16 x 3/4
38	532 19 91-89	Keeper Belt LH Mandrel	--	532 19 28-70	Mandrel Assembly (Includes housing, shaft assembly, and bearing only - pulley/nut/washer and blade bolt/washers not included)
40	873 90 06-00	Nut, Lock Flg. 3/8-16 unc	--	532 19 96-08	Replacement Mower, Complete
42	532 19 84-10	Spring Torsion Brake			
43	532 19 72-56	Spring Torsion Retainer			
46	532 13 77-29	Screw 1/4-20 x 5/8			
47	532 19 72-50	Bracket Clutch Cable			
55	532 19 72-49	Arm, Idler			
56	532 19 90-92	Spacer, Retainer			

**NOTE:** All component dimensions given in U.S. inches  
1 inch = 25.4 mm



**TRACTOR - - MODEL NUMBER LTH171 (96041002302), PRODUCT NO. 960 41 00-23  
MOWER LIFT**



KEY NO.	PART NO.	DESCRIPTION
2	532 19 52-23	Shaft Asm., Lift
3	532 19 52-31	Lever Asm., Lift RH
7	532 41 15-55	Grip, Lever
10	532 19 63-14	Spring Torsion
87	532 19 42-09	Pin Cotter 7/16 Bow Tie Lock
88	532 41 07-10	Spring Lift Assist
89	819 19 19-12	Washer Clear Zinc
90	532 19 42-08	Pin Cotter 5/16 Bow Tie Lock

KEY NO.	PART NO.	DESCRIPTION
91	532 19 51-81	Link Lift Susp. Mower Rear
97	817 00 06-12	Screw 3/8-16 x .75
98	532 19 52-70	Link Lift Susp. Front Mower
100	873 93 06-00	Nut Centerlock 3/8-16

**NOTE:** All component dimensions given in U.S. inches  
1 inch = 25.4 mm