

Kohler Courage 17hp

Spare parts

Ersatzteile

Pièces détachées

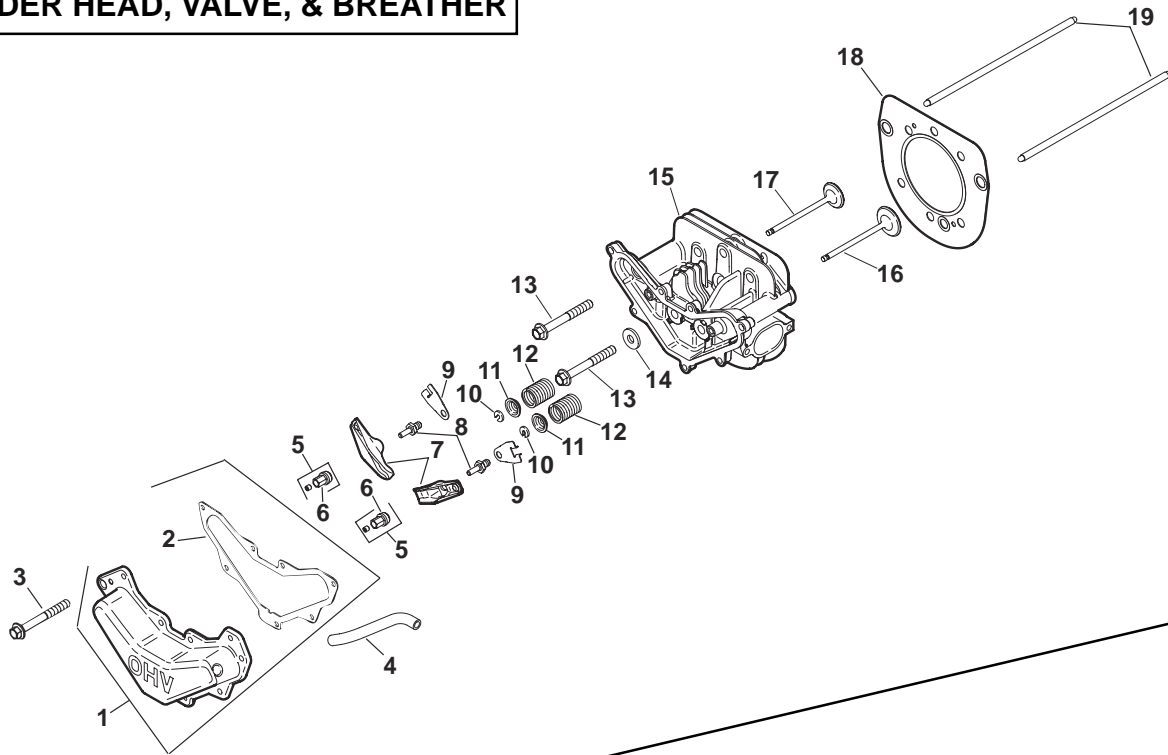
Reserve onderdelen

Repuestos

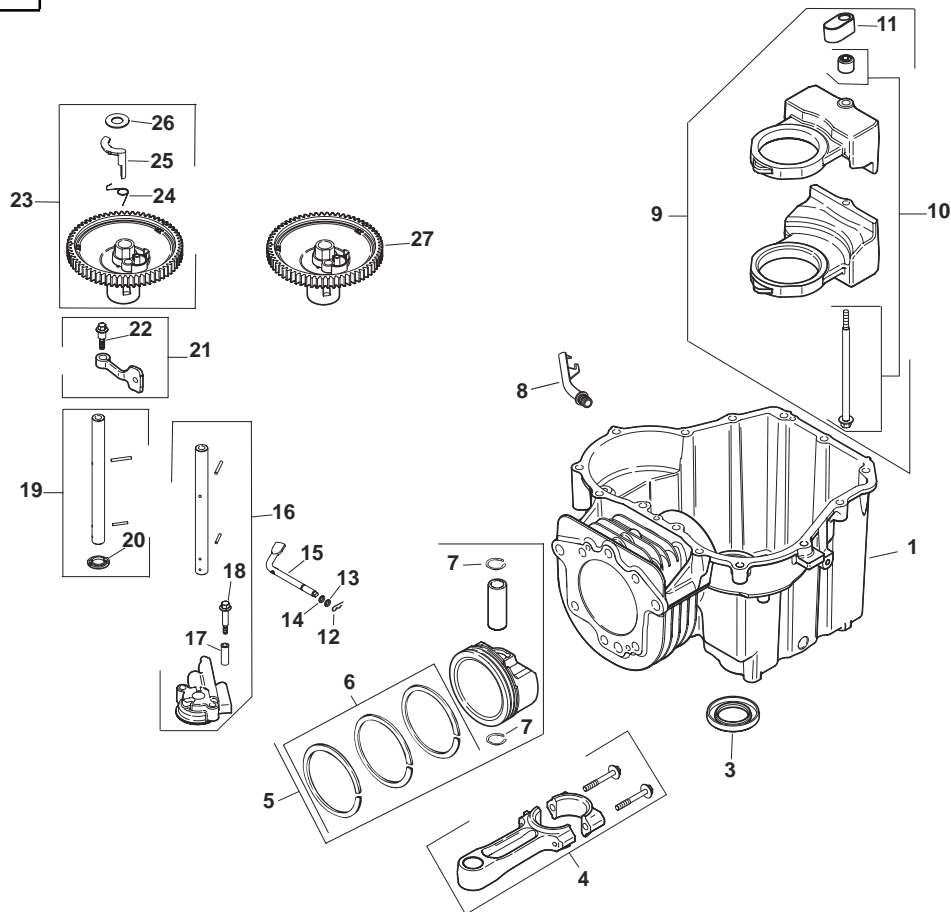
Reservdelar

KOHLER ENGINE - MODEL NO. SV530, TYPE NO. 0018

CYLINDER HEAD, VALVE, & BREATHER



CRANKCASE



KOHLER ENGINE - MODEL NO. SV530, TYPE NO. 0018

HEAD/VALVE/BREATHER - Group 4

1. 531 02 98-79 1 Kit, valve cover (Includes 2)
2. 531 02 95-54 1 Gasket, valve cover
3. 531 02 95-55 7 Screw, hex. flange M6x1.0x20
4. 531 02 95-56 1 Hose, breather
5. 531 02 95-58 2 Screw, set (Includes 6)
6. 531 02 95-57 2 Pivot, rocker arm
7. 531 02 95-59 2 Arm, rocker
8. 531 02 95-60 2 Stud, rocker
9. 531 02 95-61 2 Plate, push rod guide
10. 531 02 95-62 2 Lock, retainer
11. 531 02 95-63 2 Cap, valve spring
12. 531 02 95-64 2 Spring, valve
13. 531 02 95-65 6 Screw, hex. flange M10x1.5x37
14. 531 02 95-66 1 Washer, flat 1/2"
15. 531 02 95-67 1 Head, cylinder
16. 531 02 95-68 1 Valve, exhaust
17. 531 02 95-69 1 Valve, intake
18. 531 02 98-72 1 Kit, cylinder head gasket
(Includes head mounting hardware)
19. 531 02 95-71 2 Rod, push

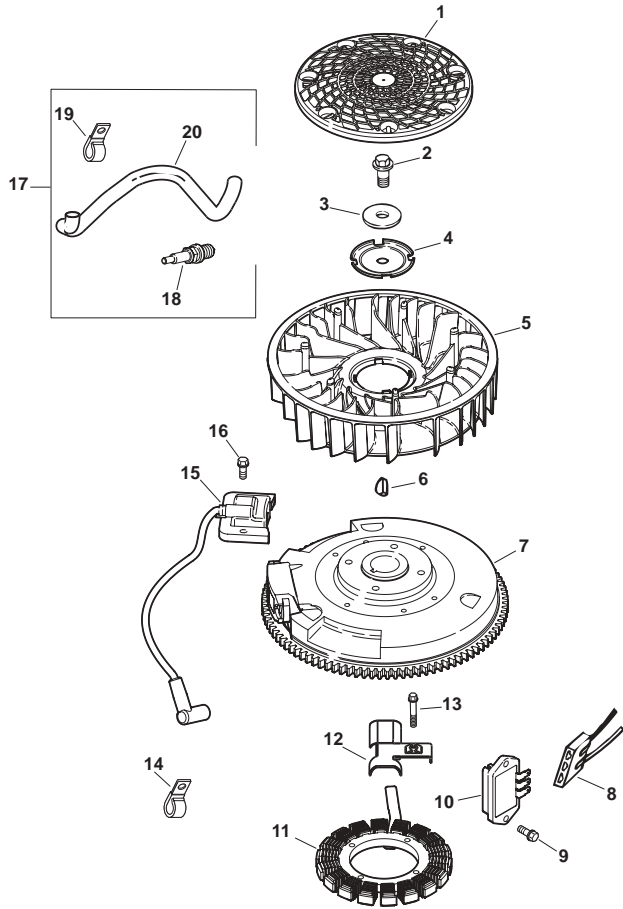
CRANKCASE - Group 2

1. -- --- -- 1 Crankcase
(USE: Short Block 531 02 95-10)
3. 531 02 95-14 1 Seal, oil
4. 531 02 95-16 1 Rod, connecting
5. 531 02 95-77 1 Piston w/Ring Set (Includes 7,8)
6. 531 02 96-86 1 Ring Set (89 mm)
7. 531 02 95-19 2 Retainer, piston pin
8. 531 02 98-85 1 Tube, drain back
9. 531 02 95-20 1 Kit, balance weight
(Includes 10,11)
10. 531 02 95-21 1 Kit, screw/guide pin
11. 531 02 95-22 1 Shoe, guide
12. 531 02 95-23 1 Clip, hitch pin
13. 531 02 95-24 1 Washer, plain
14. 531 02 95-39 1 Washer, plain
15. 531 02 95-25 1 Shaft, governor cross
16. 531 02 98-39 1 Pump assembly, oil
(Includes 17,18)
17. 531 02 95-27 2 Spacer, oil pump screw
18. 531 02 95-28 2 Screw, oil pump
19. 531 02 98-77 1 Shaft center, cam - Exhaust
(Includes 20)
20. 531 02 95-32 1 Washer, thrust
21. 531 02 95-33 1 Lever assembly, cam (2)
(Includes 22)
22. 531 02 95-34 1 Screw, shoulder
23. 531 02 95-35 1 Gear assembly, cam
(Includes 24-26)
24. 531 02 95-36 1 Spring, ACR
25. 531 02 95-37 1 Weight, ACR
26. 531 02 95-38 2 Washer, thrust - ACR
27. 531 02 95-35 1 Gear assembly, cam

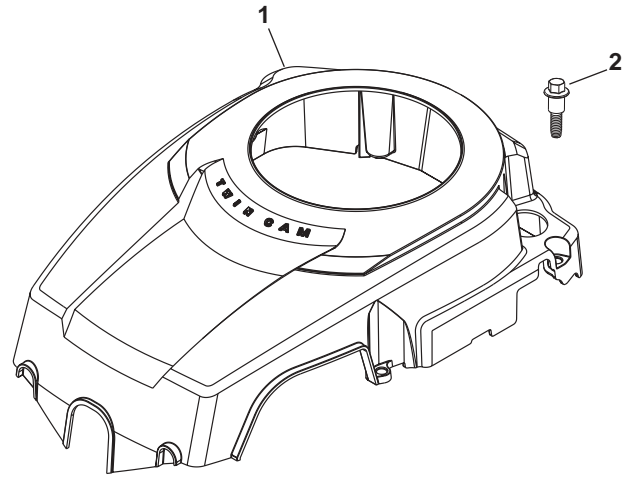
NOTE: All component dimensions given in U.S. inches
1 inch = 25.4 mm

KOHLER ENGINE - MODEL NO. SV530, TYPE NO. 0018

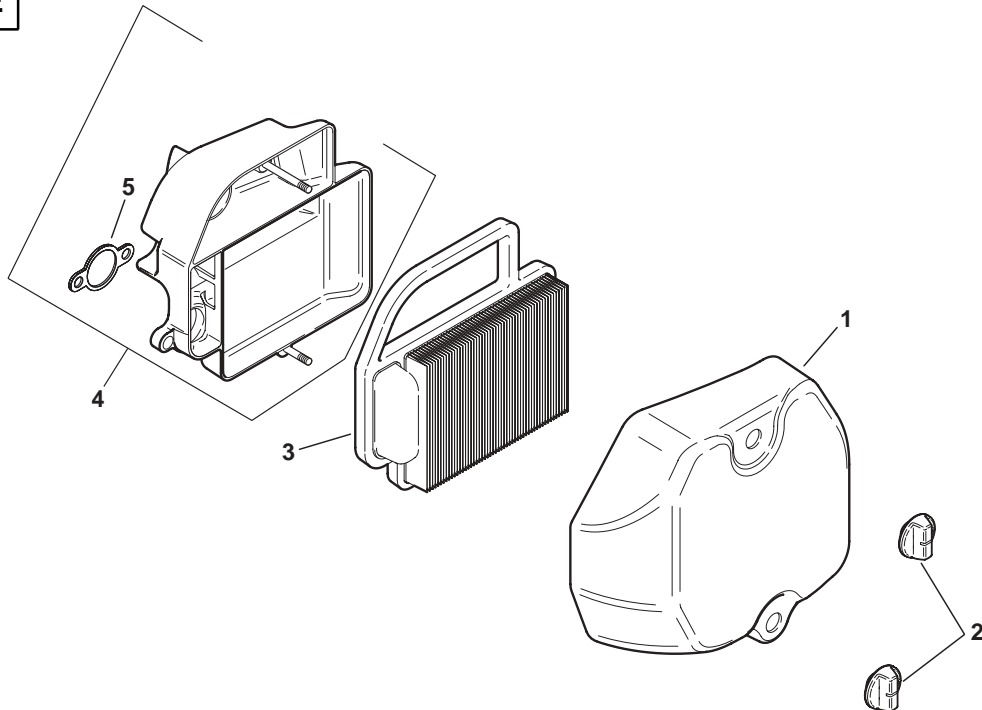
IGNITION/ELECTRICAL



BLOWER HOUSING & BAFFLES



AIR INTAKE



KOHLER ENGINE - MODEL NO. SV530, TYPE NO. 0018

IGNITION/ELECTRICAL - Group 5

1. 531 02 95-72 1 Screen, grass
2. 531 02 95-73 1 Screw, hex. flange M10x1.5x46
3. 531 02 95-74 1 Washer, spring 3/16"
4. 531 02 95-75 1 Plate, fan mounting
5. 531 02 95-76 1 Fan
6. 531 02 95-11 1 Key, woodruff
7. 531 02 95-78 1 Flywheel
8. 531 02 95-83 1 Connector, body (3 contact)
9. 531 02 95-84 2 Screw, hex. flange thread forming M5x0.8x20
10. 531 02 95-85 1 Rectifier-regulator
11. 531 02 95-82 1 Kit, stator
12. 531 02 99-40 1 Clip, wire
13. 531 02 98-87 2 Screw, hex. socket thread forming M5x0.8x25
14. 531 02 95-80 2 Clip, cable
15. 531 02 95-87 1 Module, ignition
16. 531 02 95-79 2 Screw, hex. socket thread forming M5x0.8x25
17. 531 02 97-73 1 Kit, RFI Suppression (Includes 18-20)
18. 531 02 98-76 1 Plug, spark
19. 531 02 97-85 1 Clip, cable
20. 531 02 97-99 1 Tube, RFI

NOT ILLUSTRATED

- 531 02 95-88 1 Harness, wiring

BLOWER HOUSING & BAFFLES - Group 6

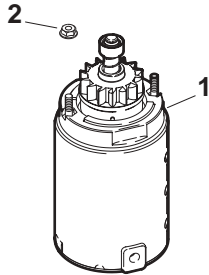
1. 531 02 95-89 1 Housing, blower
2. 531 02 95-34 4 Screw, shoulder M5x0.8x36

AIR INTAKE/FILTRATION - Group 10

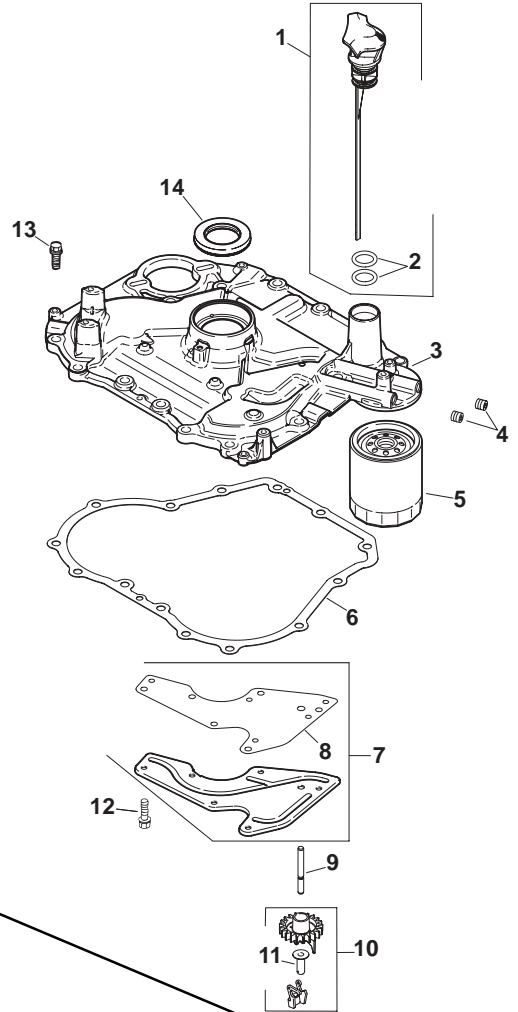
1. 531 02 97-25 1 Cover, air cleaner
2. 531 02 98-38 2 Knob, cover
3. 531 02 95-01 1 Element, air cleaner
4. 531 02 96-29 1 Kit, air cleaner base (Includes 5)
5. 531 02 96-00 1 Gasket, air cleaner base

KOHLER ENGINE - MODEL NO. SV530, TYPE NO. 0018

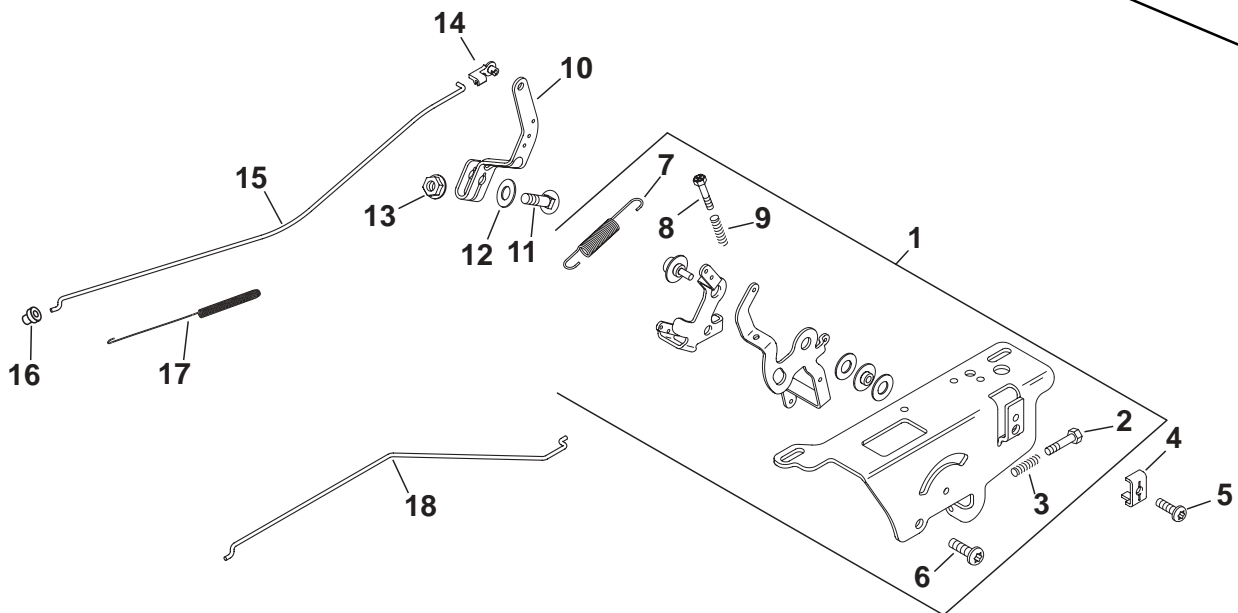
STARTING SYSTEM



OIL PAN/LUBRICATION



ENGINE CONTROLS



KOHLER ENGINE - MODEL NO. SV530, TYPE NO. 0018

STARTING SYSTEM - Group 7

1. 531 02 95-93 1 Starter assembly, inertia drive
2. 531 02 95-94 2 Nut, hex. free spinning
serrated flange lock #10-24

OIL PAN/LUBRICATION - Group 3

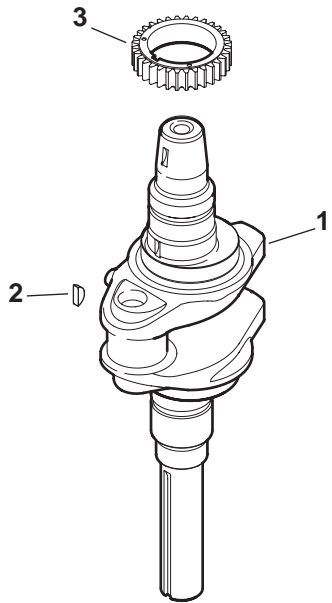
1. 531 02 95-40 1 Kit, dipstick assembly
(Includes 2)
2. 531 02 95-41 2 O-Ring, dipstick
3. 531 02 95-42 1 Plate assembly, closure
(Includes 4,10,11)
4. 531 02 95-43 2 Plug, pipe
5. 531 02 95-03 2 Filter, oil
6. 531 02 95-44 1 Gasket, closure plate
7. 531 02 95-45 1 Kit, oil passage cover
Includes 8)
8. 531 02 95-46 1 Gasket, oil passage
9. 531 02 95-47 1 Shaft, governor gear
10. 531 02 95-48 1 Kit, gear and weight assembly
(Includes 11)
11. 531 02 95-49 1 Pin, governor regulating
12. 531 02 95-50 6 Screw, hex. flange M5x0.8x13
13. 531 02 95-51 14 Screw, hex. flange M8x1.25x30
14. 531 02 95-14 1 Seal, oil

ENGINE CONTROLS - Group 9

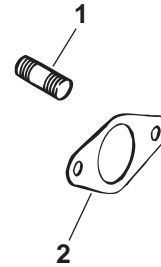
1. 531 02 98-79 1 Control assembly, speed
(Includes 2,3,6-9)
2. 531 02 98-94 1 Screw, thread forming M40.7x38
3. 531 02 98-95 1 Spring, speed control
4. 531 02 96-13 1 Clamp, cable
5. 531 02 96-14 1 Screw, 6 lobed sckt. thread
forming M5x0.8x16
6. 531 02 96-15 2 Screw, 6 lobed sckt. thread
forming M6x1.0x20
7. 531 02 96-17 2 Spring, speed control
8. 531 02 96-10 2 Screw, thread forming

KOHLER ENGINE - MODEL NO. SV530, TYPE NO. 0018

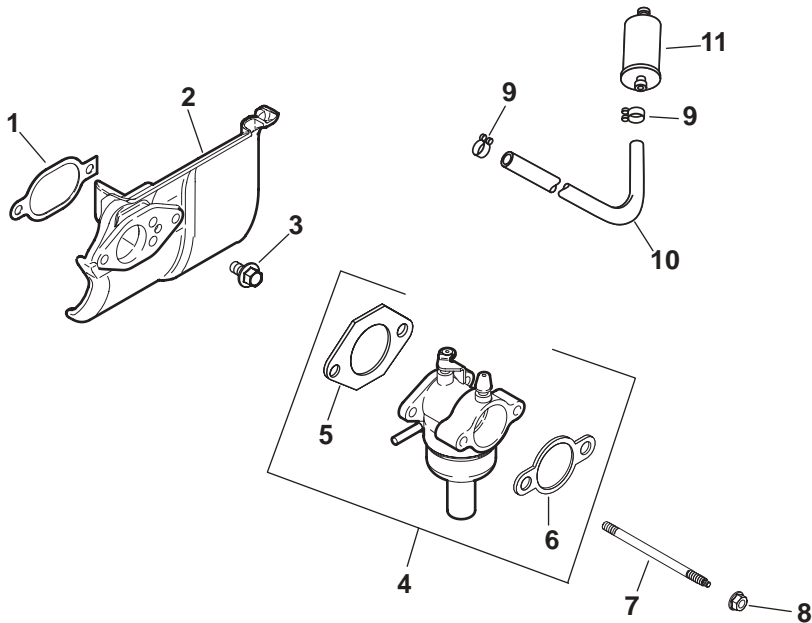
CRANKSHAFT



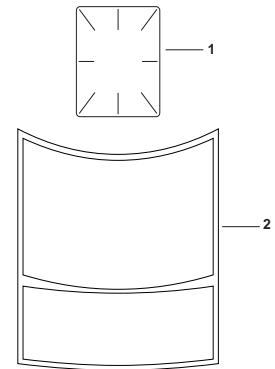
EXHAUST



FUEL SYSTEM



DECALS



Artwork is representative.
Actual labels may differ depending on model and specification number.

KOHLER ENGINE - MODEL NO. SV530, TYPE NO. 0018

CRANKSHAFT - Group 1

1. 531 02 95-52 1 Crankshaft (Includes 2)
2. 531 02 95-11 1 Key 3/16"
3. 531 02 95-12 1 Gear, crankshaft

EXHAUST - Group 11

1. 531 02 96-31 2 Stud, exhaust
2. 531 02 96-32 1 Gasket, exhaust

NOT ILLUSTRATED

- | | | |
|--------------|---|--------------------|
| SV530-0018 | 1 | Replacement Engine |
| 522 90 58-01 | 1 | Short Block |
| 531 02 96-34 | 1 | Gasket Set |

FUEL SYSTEM - Group 8

1. 531 02 95-95 1 Gasket, heat deflector
2. 531 02 95-96 1 Deflector, heat
3. 531 02 95-97 1 Screw, hex. flange M6x1.0x20
4. 531 02 99-41 1 Carburetor w/gaskets
(Includes 5,6)
5. 531 02 95-99 1 Gasket, carburetor
6. 531 02 96-00 1 Gasket, air cleaner
7. 531 02 96-01 1 Stud, carburetor mounting
8. 531 02 96-02 2 Nut, hex. flange M6x1.0
9. 531 02 96-04 2 Clamp, hose
10. 531 02 99-87 1 Line, fuel (Fuel line comes in
lengths of 24" - cut to needed
lengths for carburetor connec
tions)
11. 531 02 95-02 1 Filter, fuel

NOT ILLUSTRATED

- | | | |
|--------------|---|--|
| 531 02 96-06 | 1 | Washer, int. tooth lock 1/4"
(ground) |
| 531 02 96-07 | 1 | Kit, float |
| 531 02 96-08 | 1 | Kit, carburetor repair |
| 531 02 96-09 | 1 | Kit, solenoid repair |
| 531 02 96-10 | 1 | Kit, bowl replacement w/gaskets |
| 531 02 99-98 | 1 | Kit, high altitude (5000 ft) |
| 531 02 96-11 | 1 | Tie, wire |

DECALS - Group 12

1. 531 02 98-42 1 Decal, clear lamination
2. 531 02 97-57 1 Decal, 17 HP