

K750

Reservdelar

Spare parts

Ersatzteile

Pieces de rechange

Piezas de repuesto

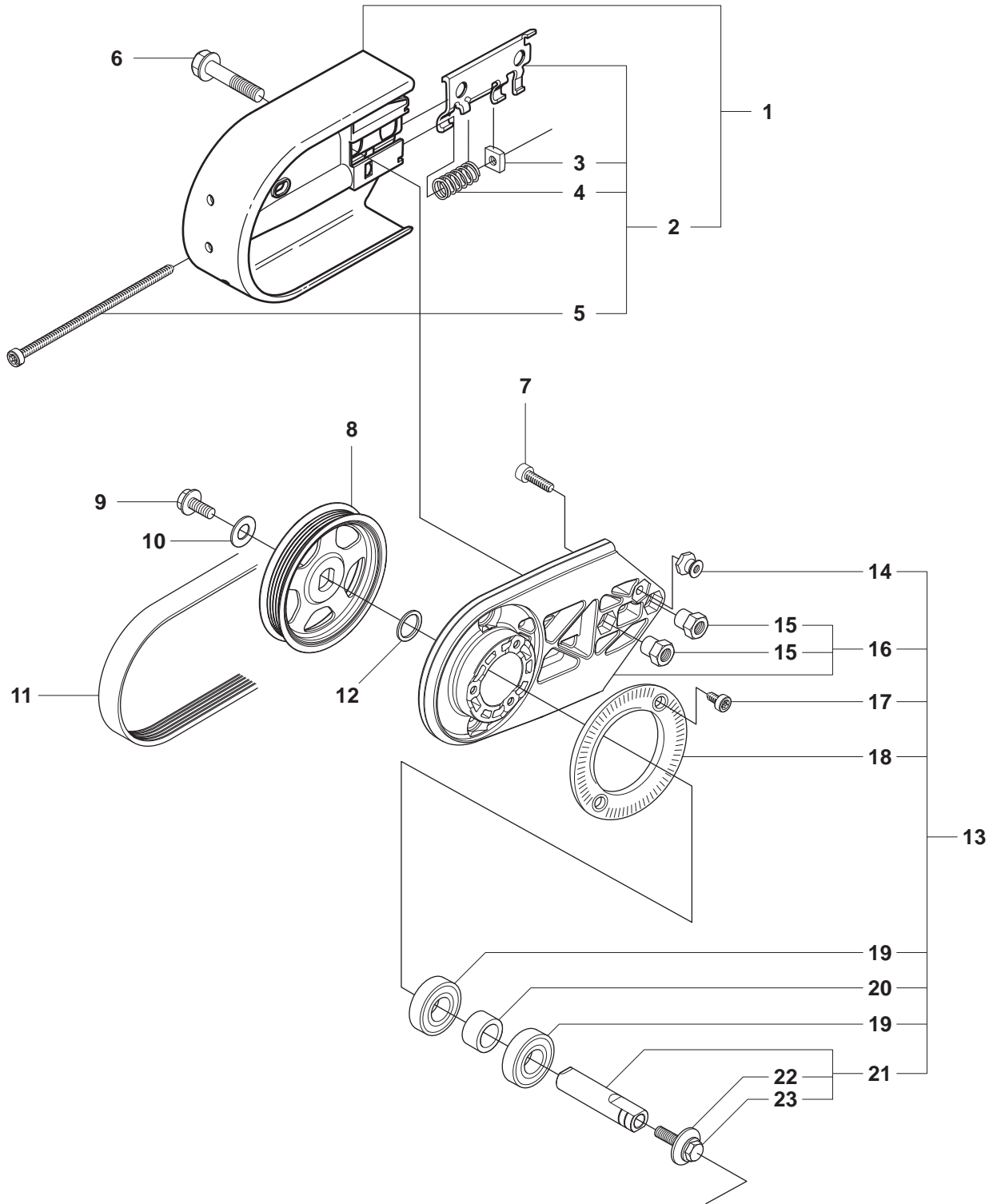
Ricambi

Peças sobresselente

No.	Pos.	Description	No.	Pos.	Description
501 27 08-01	C	GUIDE BUSHING	506 25 30-01	H	COMPRESSION SPRING
501 27 13-02	F	CABLE GROMMET	506 25 59-03	F	TANK CAP ASSY
501 48 54-02	J	SPARK PLUG CAP	506 25 81-02	H	STARTER PULLEY
501 63 48-01	J	SPRING	506 25 89-01	H	RECOIL SPRING
501 67 32-03	J	PAWL	506 26 31-01	H	SPACING SLEEVE
501 76 83-28	F	FUEL HOSE	506 26 41-01	F	FUEL FILTER
501 81 99-01	J	SCREW	506 26 41-11	F	FUEL FILTER
503 12 79-01	H	STARTER HANDLE	506 26 63-02	B	LINING
503 16 40-01	F	TANK VENT	506 26 64-01	B	SCREEN PATTERN FLANG
503 20 00-45	A	SCREW COLLAR	506 26 65-01	B	FLANGE
503 20 03-12	C	SCREW	506 26 66-04	A	BELT TENSIONER ASSY
503 20 72-75	A	SCREW	506 26 68-01	A	COMPRESSION SPRING
503 21 28-06	FJ	SCREW	506 27 11-01	F	HOSE CLAMP
503 21 28-10	HJ	SCREW	506 27 27-10	J	FLYWHEEL
503 21 45-16	F	SCREW	506 28 41-02	B	LABEL
503 21 53-10	ALDG	SCREW	506 28 41-04	B	LABEL
503 21 53-20	JL	SCREW	506 28 41-12	B	LABEL
503 21 53-21	CDGHK	SCREW	506 28 41-14	B	LABEL
503 21 53-25	D	SCREW	506 28 44-02	A	COLLAR SCREW
503 21 53-40	G	SCREW	506 28 73-01	A	NUT
503 21 53-41	CD	SCREW	506 28 84-01	A	SCREEN PATTERN FLANG
503 21 53-56	DKL	SCREW	506 29 21-01	F	GASKET
503 21 54-20	DFGN	SCREW	506 29 56-01	N	NIPPLE
503 21 67-22	H	SCREW	506 29 57-02	N	NIPPLE
503 22 10-11	J	NUT	506 29 83-63	A	SHAFT
503 22 65-04	CFL	NUT	506 29 88-01	N	FILTER
503 23 00-42	J	WASHER STEEL	506 31 86-02	J	STOP SWITCH
503 23 00-73	C	WASHER STEEL	506 32 48-01	B	SUPPORT FLANGE
503 23 01-01	J	WASHER STEEL	506 32 87-01	N	Y-TUBE
503 23 01-04	A	WASHER STEEL	506 33 56-15	H	STARTER CORD
503 23 01-16	A	WASHER STEEL	506 33 56-50	H	STARTER CORD 50 M
503 23 51-09	J	SPARK PLUG	506 34 05-02	B	WHEEL GUARD ASSY
503 25 21-01	A	BALL BEARING	506 34 05-04	B	WHEEL GUARD ASSY
503 25 56-01	DE	NEEDLE BEARING	506 34 46-02	B	HANDLE
503 26 02-04	CDP	SEALING RING	506 36 42-03	D	MUFFLER
503 26 30-21	N	O-RING	506 36 68-02	K	FILTER COVER
503 26 60-01	GN	COUPLER	506 36 69-02	K	FILTER BOTTOM
503 28 32-09	LM	CARBURETTOR	506 36 71-01	K	PREFILTER
503 28 90-47	D	PISTON RING	506 36 88-01	D	BRACKET
503 40 06-09	L	IMPULSE HOSE	506 36 91-03	C	BELT GUARD
503 47 96-01	M	SCREW	506 36 92-03	H	STARTER COVER
503 48 00-01	M	PIN RETAINING SCREW	506 36 96-01	A	PULLEY
503 48 11-01	M	PIECE	506 36 97-01	L	INLET PIPE
503 48 18-01	M	SCREW	506 36 98-01	L	INLET PIPE
503 53 56-01	M	PLUG WELCH	506 37 03-01	K	AIR NOZZLE
503 53 57-01	M	STRAINER	506 37 04-01	K	BELLOWS
503 55 22-01	D	PLUG	506 37 05-01	L	FLANGE INLET PIPE
503 57 76-03	F	FUEL HOSE	506 37 06-01	L	FLANGE INLET PIPE
503 57 89-01	F	HOLDER	506 37 10-71	E	CRANKSHAFT ASSY
503 61 66-01	M	GASKET PUMP	506 37 11-03	G	FRONT HANDLE
503 71 53-01	D	DECOMPRESSION VALVE	506 37 13-01	F	THROTTLE ROD
503 74 43-01	C	CLUTCH SPRING	506 37 19-02	F	BASE PLATE
503 74 44-04	C	CLUTCH ASSY	506 37 20-03	F	THROTTLE TRIGGER
503 84 61-01	C	BUFFER	506 37 24-01	D	PISTON ASSY
504 35 72-01	F	FUEL FILTER	506 37 55-02	G	GROUND SUPPORT
505 27 75-16	J	INSULATING CUP	506 37 56-02	G	GROUND SUPPORT
505 30 24-15	C	NEEDLE BEARING	506 37 58-02	D	COOLING PLATE
505 39 75-13	B	INFORMATION LABLE	506 37 67-02	CDP	CYLINDER BASE GASKET
506 02 87-01	B	WASHER	506 37 68-02	LCDP	GASKET CARBURETTOR
506 02 88-30	B	BUSHING	506 37 70-02	CDP	GASKET CRANKCASE
506 07 08-01	A	SPACING SLEEVE	506 37 70-03	CDP	GASKET CRANKCASE
506 07 09-01	B	WASHER	506 37 72-02	G	SPRING RETAINER
506 09 56-06	N	HOSE CLAMP	506 37 80-01	F	GROMMET
506 09 58-24	N	HOSE	506 37 83-03	C	CLUTCH WHEEL
506 09 75-02	N	HOSE	506 37 84-02	J	CABLE
506 13 95-11	A	WASHER	506 37 85-01	J	CABLE
506 13 96-01	A	COLLAR SCREW	506 37 95-01	F	SPRING
506 14 32-01	A	TORSION STOP	506 37 96-20	B	BUSHING
506 22 28-02	F	THROTTLE LOCKOUT	506 37 96-25	B	BUSHING
506 25 14-01	H	GROMMET	506 38 15-01	F	HEAT SHIELD

No.	Pos.	Description	No.	Pos.	Description
506 38 26-01	P	COMBINATION TOOL	544 22 90-01	F	CHOKE CONTROL
506 38 53-04	CDP	GASKET KIT	544 38 39-01	H	AIR CONDUCTOR
506 38 55-05	L	CARBURETTOR BRACKET	544 39 32-01	F	HOSE CLIP
506 38 56-12	H	STARTER	544 83 64-01	M	PUMP COVER
506 38 58-02	G	HANDLE	544 83 65-01	M	SPRING
506 38 59-04	GN	HOSE	544 87 44-01	K	LABEL
506 38 60-12	N	VALVE ASSY	544 87 44-02	K	LABEL
506 38 61-71	D	CYLINDER ASSY	544 87 44-03	K	LABEL
506 38 62-01	K	COVER	544 88 90-02	C	CRANKCASE ASSY
506 38 64-01	L	INLET PIPE	544 88 90-03	Q	CRANKCASE ASSY
506 38 65-12	F	FUEL TANK	544 88 90-04	R	CRANKCASE ASSY
506 38 66-01	F	TANK VENT ASSY	544 89 08-01	H	LABEL
506 38 67-02	F	GROUND SUPPORT	544 89 09-01	K	LABEL
506 38 71-02	G	STOP	544 89 10-01	K	LABEL
506 38 78-34	J	IGNITION CABLE	544 89 11-01	C	LABEL
506 38 91-02	D	VIB.INSULATOR	544 90 84-02	A	BELT
506 39 30-01	C	WASHER	720 12 40-20	F	PARALLEL PIN
506 39 32-02	L	CARBURETTOR BRACKET	725 53 29-55	AB	SCREW
506 39 36-02	A	BELT GUARD	725 53 31-05	B	SCREW
506 39 42-03	A	BEARING HOUSING	737 43 12-00	D	RETAINING
506 39 42-11	A	BEARING HOUSING	738 22 02-25	CE	BALL BEARING
506 39 46-01	F	CAP	740 43 13-00	H	O-RING
506 39 52-01	L	PLATE			
506 39 54-01	M	COLLAR			
506 39 55-01	M	COVER			
506 39 56-01	M	COVER			
506 39 57-01	M	DIAPHRAGM ASSY			
506 39 58-01	M	GASKET			
506 39 60-01	M	DIAPHRAGM PUMP			
506 39 61-01	M	NOZZLE ASSY			
506 39 62-01	M	GASKET			
506 39 64-01	M	QUAD RING			
506 39 65-01	M	ROD			
506 39 66-01	M	SCREW			
506 39 69-01	M	SCREW			
506 39 70-01	M	SCREW			
506 39 71-01	M	SHAFT ASSY			
506 39 72-01	M	SCREW			
506 39 73-01	M	SHAFT ASSY CHOKE			
506 39 74-01	M	SHAFT ASSY			
506 39 75-01	M	SPRING			
506 39 78-01	M	VALVE			
506 39 79-01	M	WASHER			
506 39 84-02	K	CYLINDER COVER ASSY			
506 39 90-01	M	O-RING			
506 39 91-01	M	PLUG			
506 40 93-01	A	NUT			
506 40 99-01	M	GASKET KIT			
506 41 00-01	M	GASKET KIT CARB			
506 41 23-01	CDP	GASKET			
537 01 25-01	M	BALL			
537 01 26-01	M	SPRING			
537 17 62-01	M	VALVE			
537 17 64-01	M	LEVER			
537 17 70-01	M	VALVE			
537 17 78-01	M	PLUG			
537 20 33-01	E	CUP			
537 21 03-07	F	AV-ELEMENT			
537 21 03-08	G	AV-ELEMENT			
537 27 34-01	M	SPRING			
537 38 51-01	M	SCREW			
537 38 52-01	M	E-CLIP			
544 00 14-02	D	MUFFLER KIT			
544 00 31-02	N	WATER HOSE KIT			
544 00 78-01	C	BRACKET			
544 04 75-02	J	IGNITION MODULE			
544 06 12-01	CFG	SCREW			
544 08 21-01	M	SCREW			
544 08 22-01	M	SCREW			
544 18 16-02	L	FILTER			

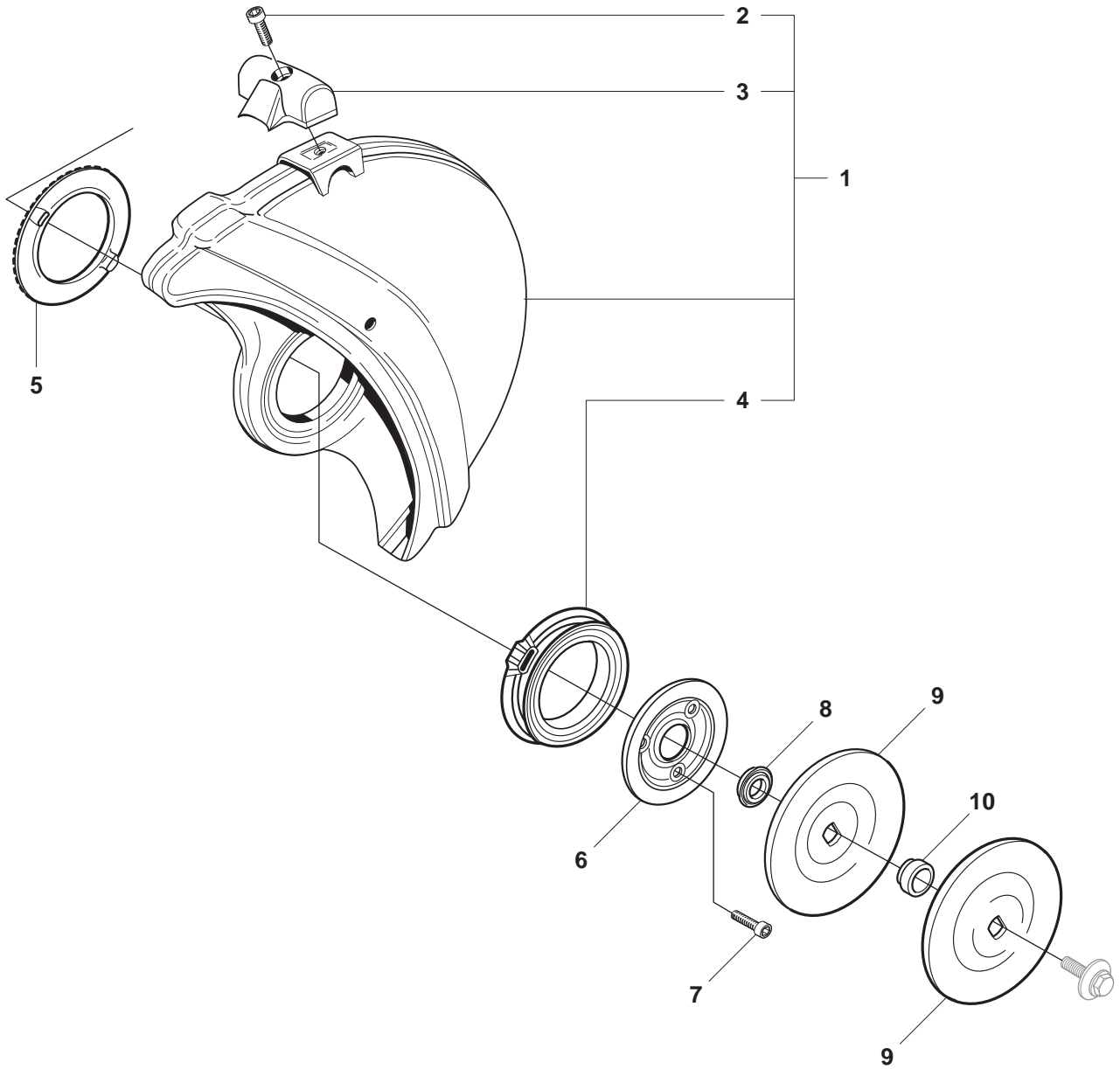
A K750



A K750

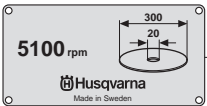
Pos.	Compl No.	Part No.	Description	Qty.	Notes
1		506 39 36-02	BELT GUARD	1	Incl. 2
2		506 26 66-04	BELT TENSIONER ASSY	1	Incl. 3, 4, 5
3		506 40 93-01	NUT	1	
4		506 26 68-01	COMPRESSION SPRING	1	
5		503 20 72-75	SCREW	1	
6		506 28 44-02	COLLAR SCREW	2	
7		725 53 29-55	SCREW	1	
8		506 36 96-01	PULLEY	1	
9		503 20 00-45	SCREW COLLAR	1	
10		503 23 01-16	WASHER STEEL	1	
11		544 90 84-02	BELT	1	
12		503 23 01-04	WASHER STEEL	1	
13		506 39 42-03	BEARING HOUSING	1	Incl. 14, 16, 17, 18, 19, 20, 21
14		506 14 32-01	TORSION STOP	1	
15		506 28 73-01	NUT	2	
16		506 39 42-11	BEARING HOUSING	1	Incl. 15
17		503 21 53-10	SCREW	2	
18		506 28 84-01	SCREEN PATTERN FLANG	1	
19		503 25 21-01	BALL BEARING	2	
20		506 07 08-01	SPACING SLEEVE	1	
21		506 29 83-63	SHAFT	1	Incl. 22, 23
22		506 13 95-11	WASHER	1	
23		506 13 96-01	COLLAR SCREW	1	

B K750



- Maskinen får ej användas innan skylt med rätt spindelvarvtal monterats.
- The machine must not be used before the label is mounted stating correct spindle speed.
- Dieses Gerät darf erst nach montage des typschil- des mit Spindelvarvtal-Angabe benutzt werden.
- La machine ne devra être mise en service qu'après installation préalable d'une plaque indiquant de la broche.

11

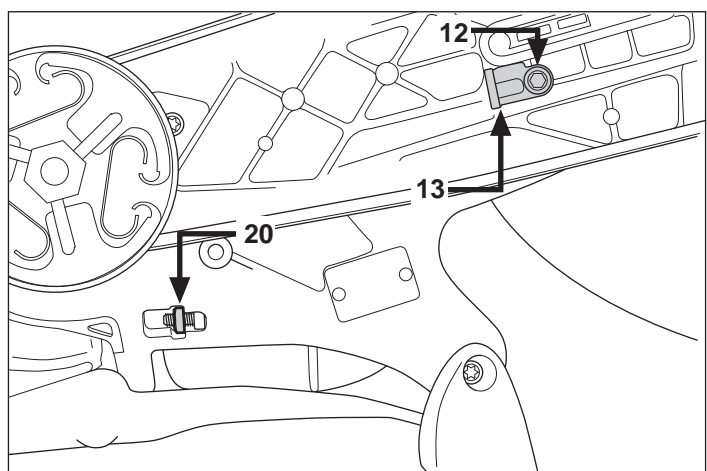
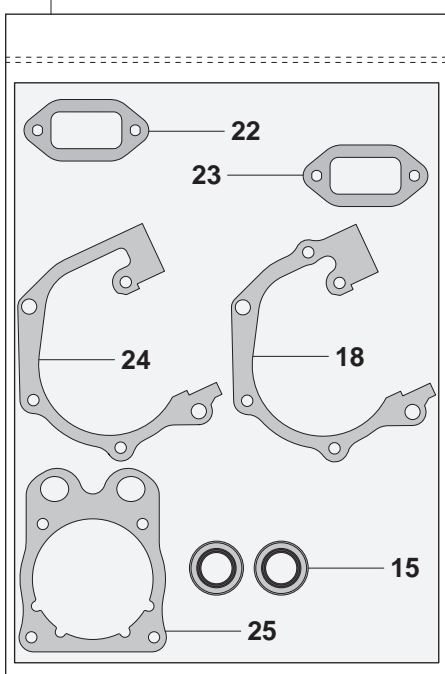
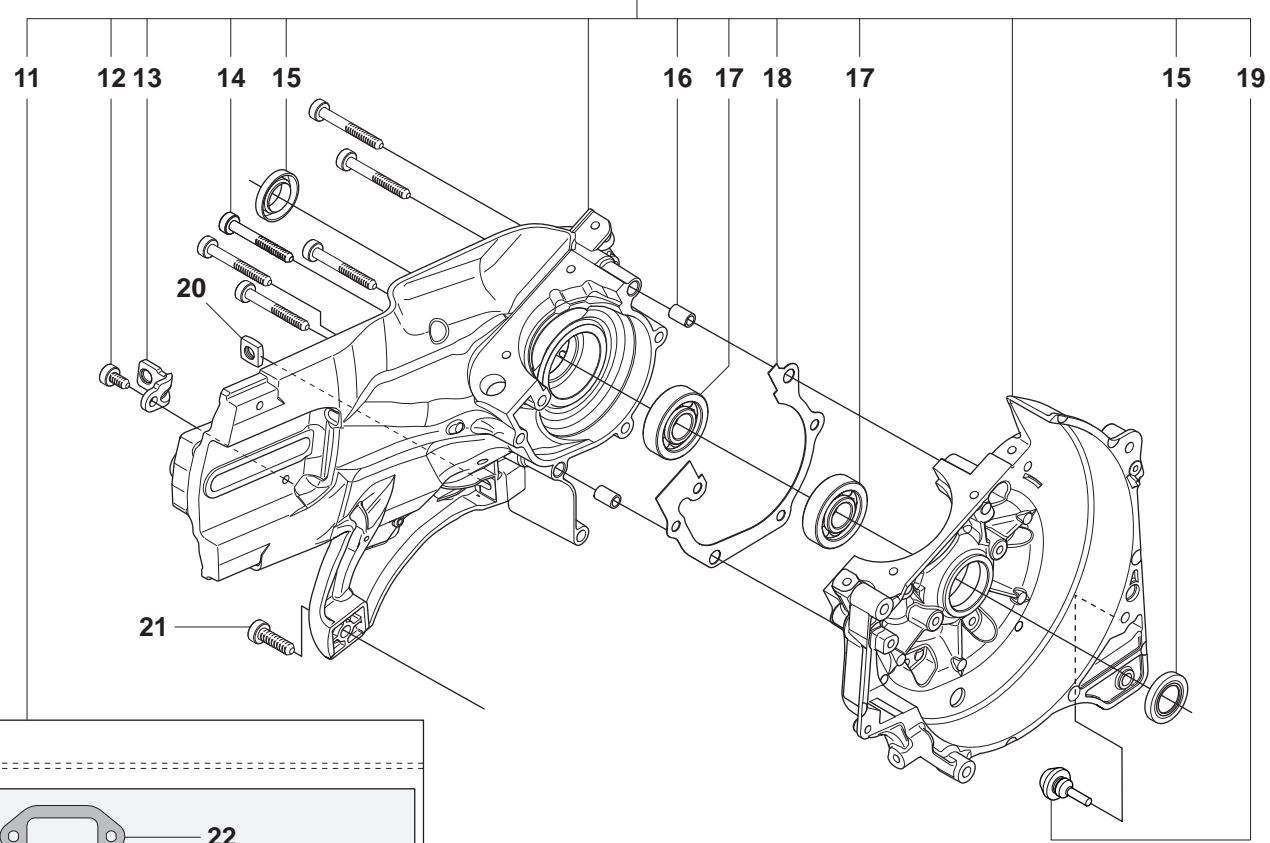
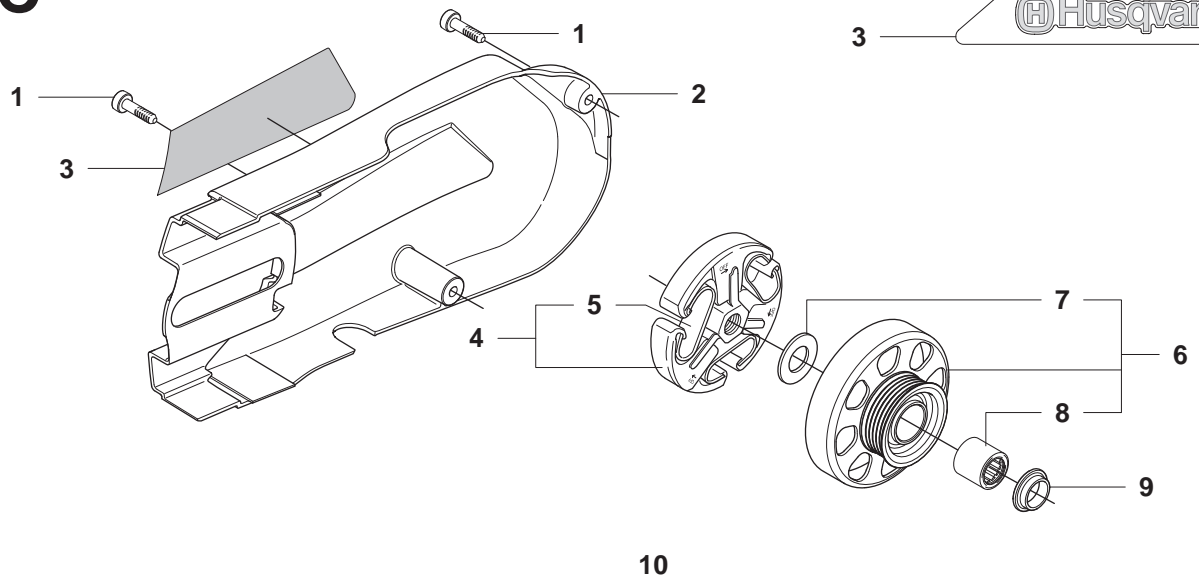


12

B K750

Pos.	Compl No.	Part No.	Description	Qty.	Notes
1		506 34 05-02	WHEEL GUARD ASSY	1	12", Incl. 2, 3, 4
1		506 34 05-04	WHEEL GUARD ASSY	1	14", Incl. 2, 3, 4
2		725 53 31-05	SCREW	1	
3		506 34 46-02	HANDLE	1	
4		506 26 63-02	LINING	1	
5		506 26 64-01	SCREEN PATTERN FLANG	1	
6		506 26 65-01	FLANGE	1	
7		725 53 29-55	SCREW	1	
8		506 32 48-01	SUPPORT FLANGE	1	
9		506 02 87-01	WASHER	2	Diam 105 mm
9		506 07 09-01	WASHER	2	Diam 119 mm
10		506 37 96-22	BUSHING	1	Diam 20 mm
10		506 37 96-20	BUSHING	1	Diam 22,2 mm
10		506 37 96-25	BUSHING	1	Diam 25,4 mm
10		506 02 88-30	BUSHING	1	Diam 30,5 mm
11		505 39 75-13	INFORMATION LABEL	1	
12		506 28 41-04	LABEL	1	12", Diam 1"
12		506 28 41-02	LABEL	1	12", Diam 20 mm
12		506 28 41-14	LABEL	1	14", Diam 1"
12		506 28 41-12	LABEL	1	14", Diam 20 mm

C K750

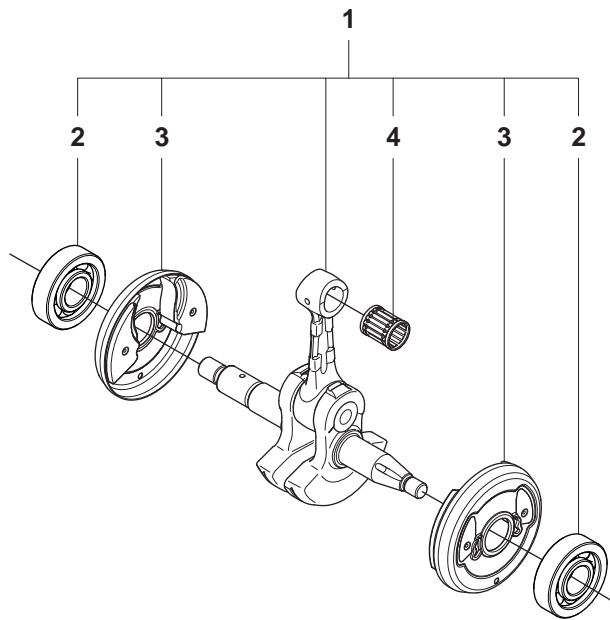


C K750

Pos.	Compl No.	Part No.	Description	Qty.	Notes
1		503 21 53-21	SCREW	2	
2		506 36 91-03	BELT GUARD	1	
3		544 89 11-01	LABEL	1	
4		503 74 44-04	CLUTCH ASSY	1	Incl. 5
5		503 74 43-01	CLUTCH SPRING	3	
6		506 37 83-03	CLUTCH WHEEL	1	Incl. 7, 8
7		503 23 00-73	WASHER STEEL	1	
8		505 30 24-15	NEEDLE BEARING	1	
9		506 39 30-01	WASHER	1	
10		544 88 90-02	CRANKCASE ASSY	1	Incl. 11, 12, 13, 14, 15, 16, 17, 18, 19
11		506 38 53-04	GASKET KIT	1	
12		503 20 03-12	SCREW	1	
13		544 00 78-01	BRACKET	1	
14		503 21 53-41	SCREW	6	
15		503 26 02-04	SEALING RING	2	
16		501 27 08-01	GUIDE BUSHING	2	
17		738 22 02-25	BALL BEARING	2	
18		506 37 70-03	GASKET CRANKCASE	1	6 bolts crakcase
19		503 84 61-01	BUFFER	1	
20		503 22 65-04	NUT	1	
21		544 06 12-01	SCREW	1	
22		506 41 23-01	GASKET	1	
23		506 37 69-02	GASKET MUFFLER	1	
24		506 37 70-02	GASKET CRANKCASE	1	5 bolts crakcase
25		506 37 67-02	GASKET CYLINDER BASE	1	

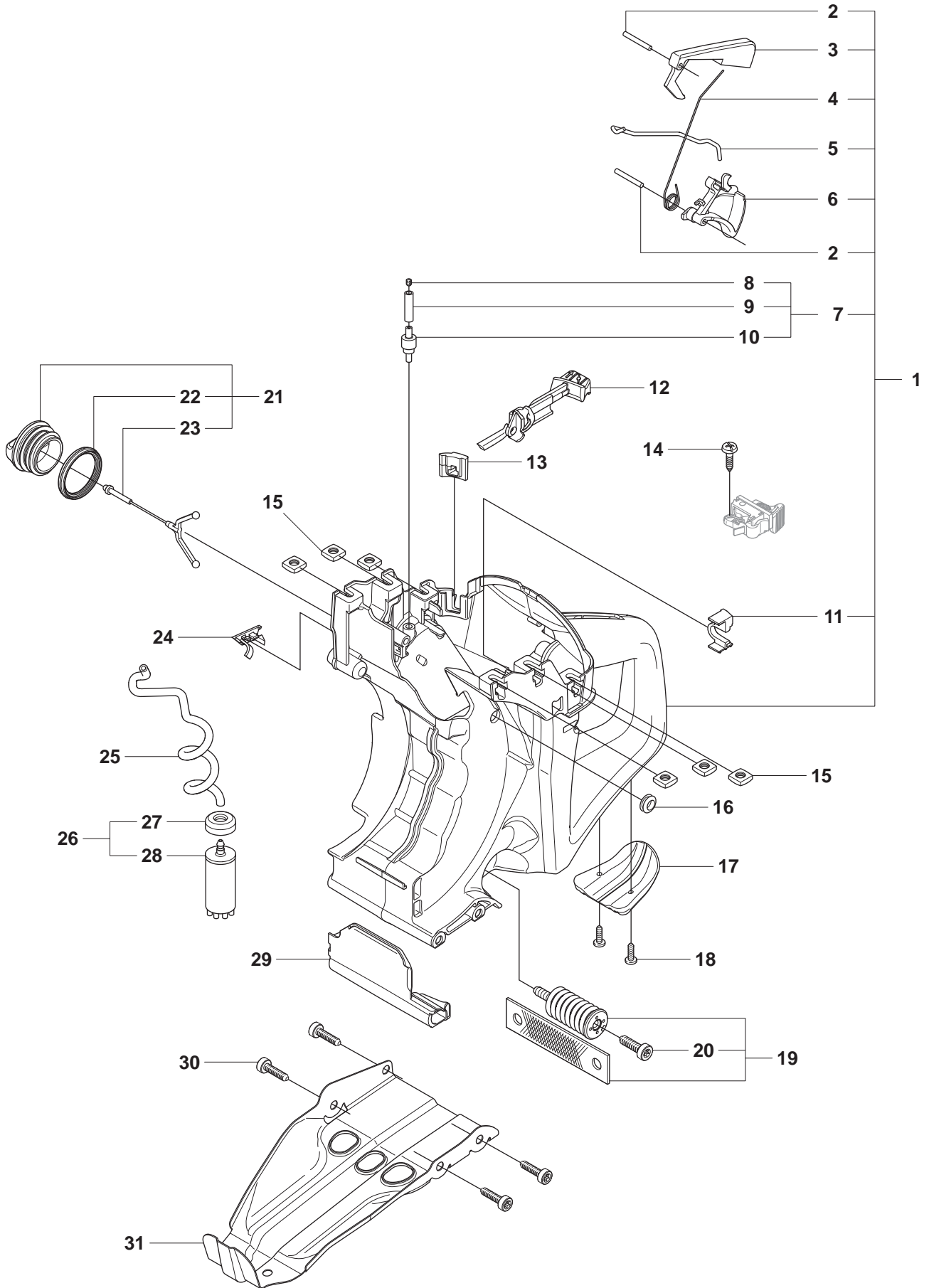
D K750

Pos.	Compl No.	Part No.	Description	Qty.	Notes
1		506 38 61-71	CYLINDER ASSY	1	Incl. 2, 3, 4, 5, 6, 7
2		503 55 22-01	PLUG	1	
3		506 41 23-01	GASKET	1	
4		506 37 69-02	GASKET MUFFLER	1	
5		506 37 67-02	GASKET CYLINDER BASE	1	
6		506 37 24-01	PISTON ASSY	1	Incl. 8, 9
7		503 25 56-01	NEEDLE BEARING	1	
8		503 28 90-47	PISTON RING	2	
9		737 43 12-00	RETAINING	2	
10		506 38 91-02	VIB.INSULATOR	1	
11		503 21 53-25	SCREW	4	
12		503 21 53-16	SCREW	2	
13		506 36 88-01	BRACKET	1	
14		506 37 58-02	COOLING PLATE	1	
15		503 21 54-20	SCREW	1	
16		503 71 53-01	DECOMPRESSION VALVE	1	
17		544 00 14-02	MUFFLER KIT	1	Incl. 3, 4, 18, 19, 20, 21
18		506 36 42-03	MUFFLER	1	
19		503 21 53-41	SCREW	2	
20		503 21 53-56	SCREW	1	
21		503 21 53-21	SCREW	1	
22		506 38 53-04	GASKET KIT	1	Incl. 4, 5, 6, 23, 24, 25
23		506 37 70-02	GASKET CRANKCASE	1	5 bolts crakcase
24		506 37 70-03	GASKET CRANKCASE	1	6 bolts crakcase
25		503 26 02-04	SEALING RING	2	



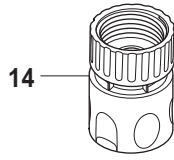
E K750

Pos.	Compl No.	Part No.	Description	Qty.	Notes
1		506 37 10-71	CRANKSHAFT ASSY	1	Incl. 2, 3, 4
2		738 22 02-25	BALL BEARING	2	
3		537 20 33-01	CUP	2	
4		503 25 56-01	NEEDLE BEARING	1	

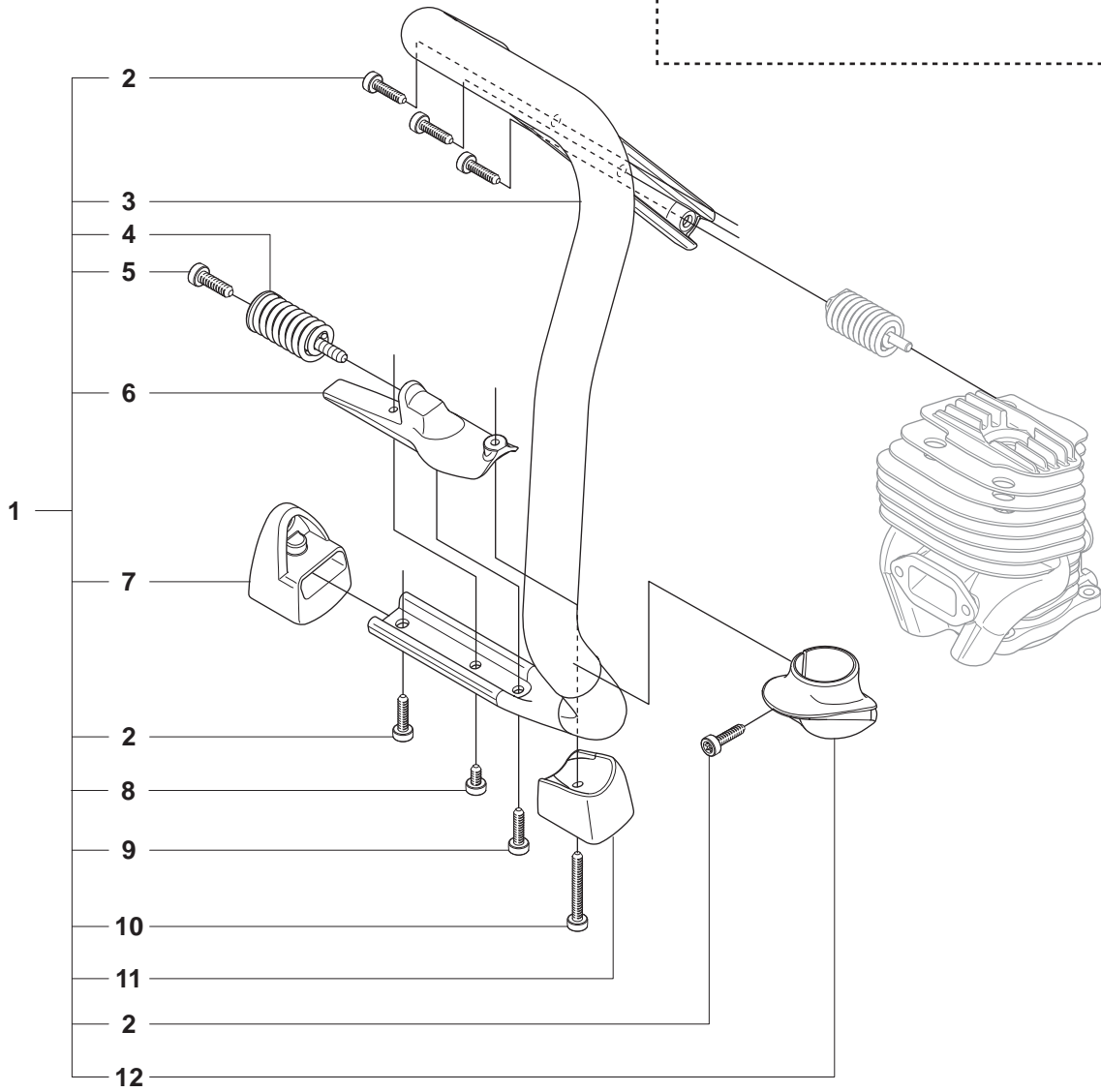
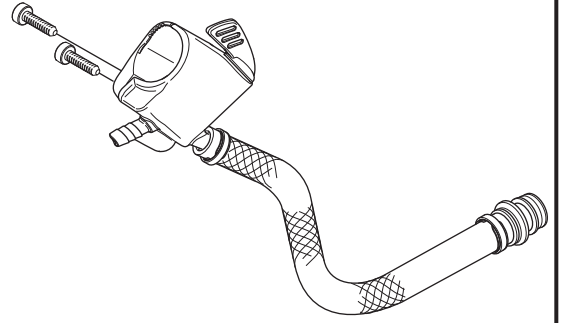


F K750

Pos.	Compl No.	Part No.	Description	Qty.	Notes
1		506 38 65-12	FUEL TANK	1	Incl. 2, 3, 4, 5, 6, 7, 11
2		720 12 40-20	PARALLEL PIN	1	
3		506 22 28-02	THROTTLE LOCKOUT	1	
4		506 37 95-01	SPRING	1	
5		506 37 13-01	THROTTLE ROD	1	
6		506 37 20-03	THROTTLE TRIGGER	1	
7		506 38 66-01	TANK VENT ASSY	1	Incl. 8, 9, 10
8		504 35 72-01	FILTER PLUG	1	
9		501 76 83-28	FUEL HOSE	1	
10		503 16 40-01	TANK VENT	1	
11		544 39 32-01	HOSE CLIP	1	
12		544 22 90-01	CHOKE CONTROL	1	
13		506 37 80-01	GROMMET	1	
14		503 21 28-06	SCREW CCRPANT	1	
15		503 22 65-04	NUT	6	
16		501 27 13-02	CABLE GROMMET	1	
17		506 38 67-02	GROUND SUPPORT	1	
18		503 21 45-16	SCREW	2	
19		537 21 03-07	AV-ELEMENT	1	Incl. 20
20		544 06 12-01	SCREW	1	
21		506 25 59-03	TANK CAP ASSY	1	Incl. 22, 23
22		506 29 21-01	GASKET	1	
23		503 57 89-01	HOLDER	1	
24		506 39 46-01	CAP	1	
25		503 57 76-03	FUEL HOSE	1	
26		506 26 41-11	FUEL FILTER	1	Incl. 27, 28
27		506 27 11-01	HOSE CLAMP	1	
28		506 26 41-01	FUEL FILTER	1	
29		506 38 15-01	HEAT SHIELD	1	
30		503 21 54-20	SCREW	4	
31		506 37 19-02	BASE PLATE	1	

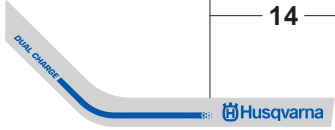
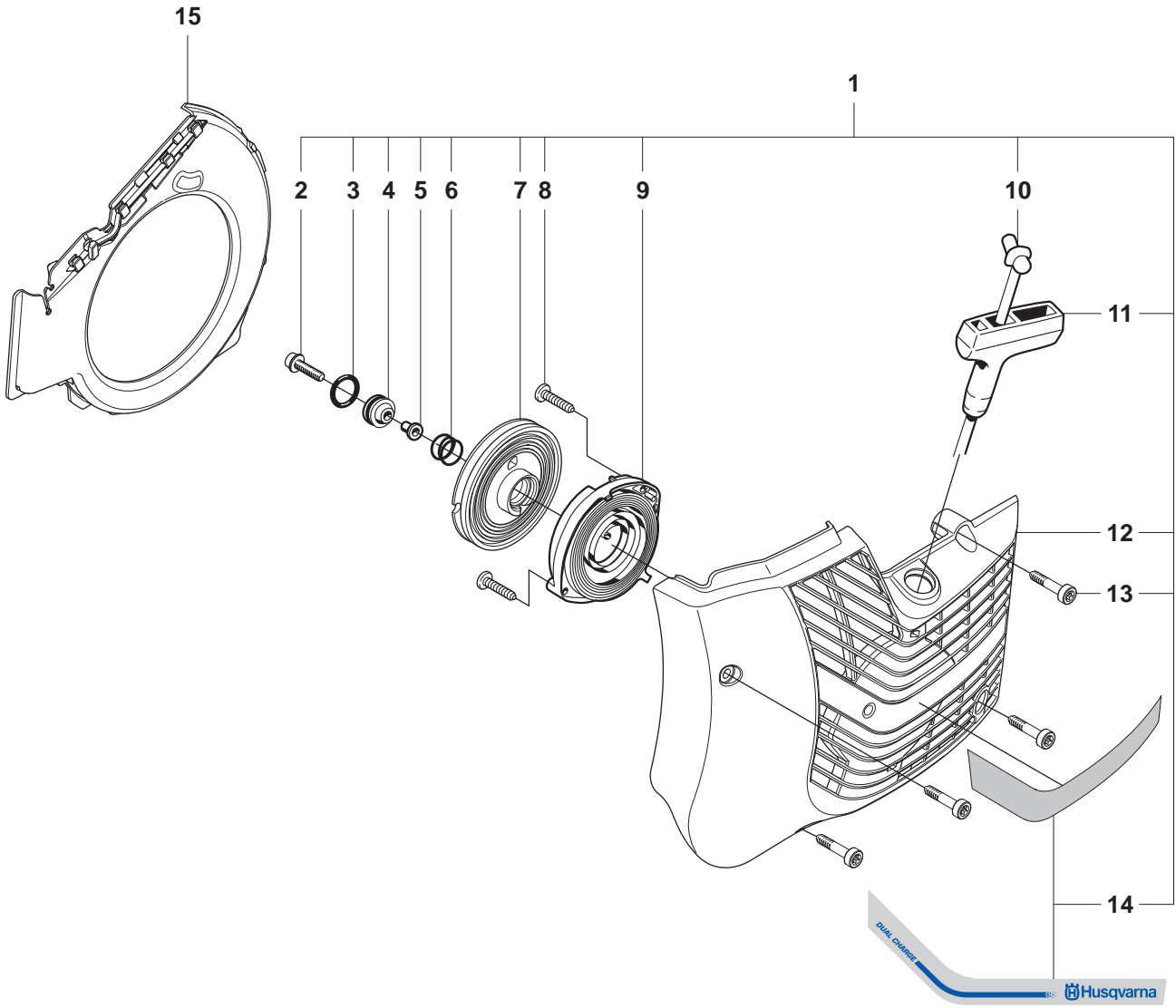


13



G K750

Pos.	Compl No.	Part No.	Description	Qty.	Notes
1		506 38 58-02	HANDLE	1	Incl. 2, 3, 4, 5, 6, 7, 8, 9, 10, 11, 12, 13
2		503 21 54-20	SCREW	5	
3		506 37 11-03	FRONT HANDLE	1	
4		537 21 03-08	AV-ELEMENT	1	
5		544 06 12-01	SCREW	1	
6		506 37 72-02	SPRING RETAINER	1	
7		506 37 55-02	GROUND SUPPORT	1	
8		503 21 53-16	SCREW	1	
9		503 21 53-21	SCREW	1	
10		503 21 53-40	SCREW	1	
11		506 37 56-02	GROUND SUPPORT	1	
12		506 38 71-02	STOP	1	
13		506 38 59-04	HOSE	1	
14		503 26 60-02	COUPLER	1	

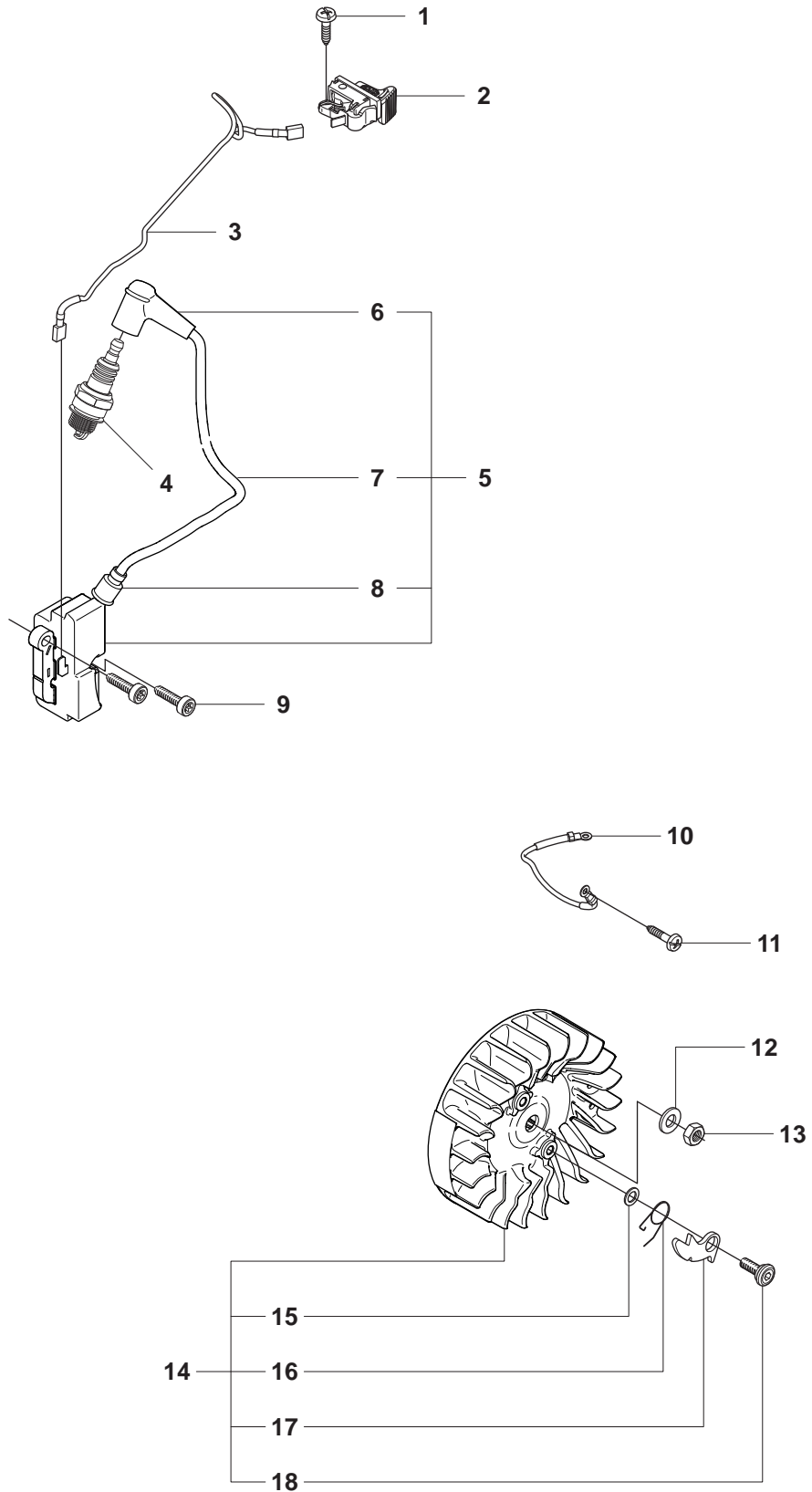


H K750

Pos.	Compl No.	Part No.	Description	Qty.	Notes
1		506 38 56-12	STARTER	1	Incl. 2, 3, 4, 5, 6, 7, 8, 9, 10, 11, 12, 13, 14
2		503 21 67-22	SCREW	1	
3		740 43 13-00	O-RING	1	
4		506 25 14-01	GROMMET	1	
5		506 26 31-01	SPACING SLEEVE	1	
6		506 25 30-01	COMPRESSION SPRING	1	
7		506 25 81-02	STARTER PULLEY	1	
8		503 21 28-10	SCREW	2	
9		506 25 89-01	RECOIL SPRING	1	
10		506 33 56-15	STARTER CORD	1	
10		506 33 56-50	STARTER CORD	1	50m Coil
11		503 12 79-01	STARTER HANDLE	1	
12		506 36 92-03	STARTER COVER	1	
13		503 21 53-21	SCREW	4	
14		544 89 08-01	LABEL	1	
15		544 38 39-01	AIR CONDUCTOR	1	

J

K750

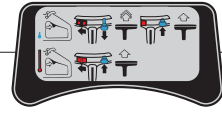
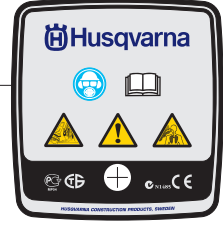
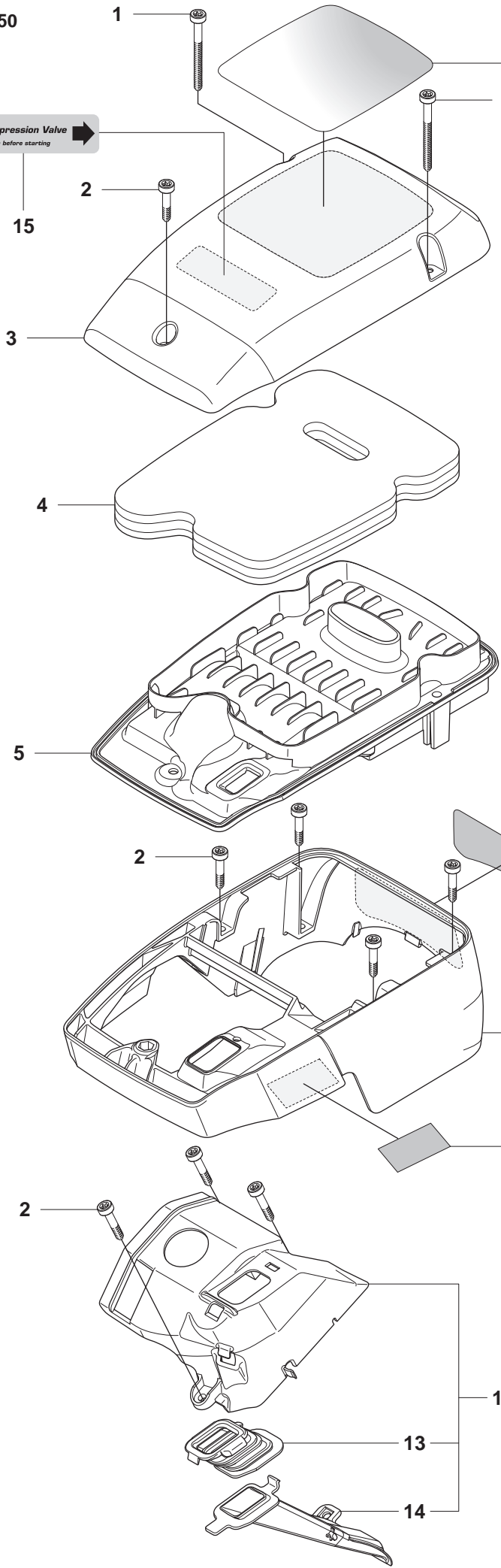


J K750

Pos.	Compl No.	Part No.	Description	Qty.	Notes
1		503 21 28-06	SCREW	1	
2		506 31 86-02	STOP SWITCH	1	
3		506 37 84-02	CABLE	1	
4		503 23 51-09	SPARK PLUG	1	RCJ 6 Y
5		544 04 75-02	IGNITION MODULE	1	Incl. 6, 7, 8
6		501 48 54-02	SPARK PLUG CAP	1	
7		506 38 78-34	IGNITION CABLE	1	
8		505 27 75-16	INSULATING CUP	1	
9		503 21 53-20	SCREW	2	
10		506 37 85-01	CABLE	1	
11		503 21 28-10	SCREW	1	
12		503 23 01-01	WASHER STEEL	1	
13		503 22 10-11	NUT	1	
14		506 27 27-10	FLYWHEEL	1	Incl. 15, 16, 17, 18
15		503 23 00-42	WASHER STEEL	2	
16		501 63 48-01	SPRING	2	
17		501 67 32-03	PAWL	2	
18		501 81 99-01	SCREW	2	

K K750

Decompression Valve
Push before starting

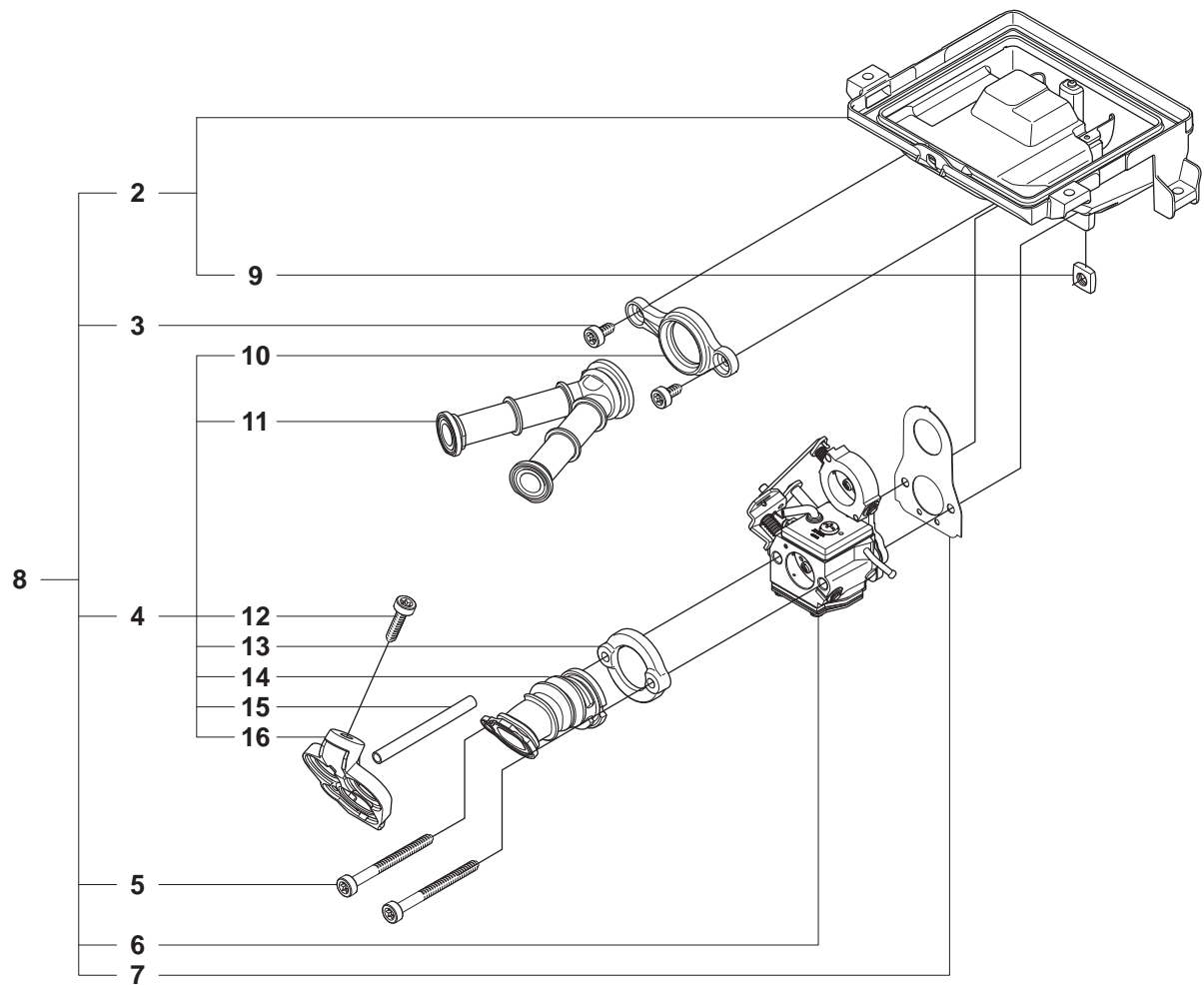
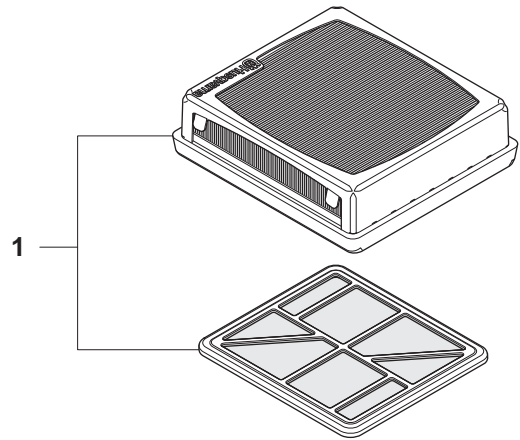


K K750

Pos.	Compl No.	Part No.	Description	Qty.	Notes
1		503 21 53-56	SCREW	2	
2		503 21 53-21	SCREW	8	
3		506 36 68-02	FILTER COVER	1	
4		506 36 71-01	PREFILTER	1	
5		506 36 69-02	FILTER BOTTOM	1	
6		544 87 44-02	LABEL	1	CE
7		544 87 44-01	LABEL	1	EPA USA
8		544 87 44-03	LABEL	1	EPA Canada
9		506 39 84-02	CYLINDER COVER ASSY	1	Incl. 10, 11
10		544 89 09-01	LABEL	1	
11		544 89 10-01	LABEL	1	
12		506 38 62-01	COVER	1	Incl. 13, 14
13		506 37 04-01	BELLOWS	1	
14		506 37 03-01	AIR NOZZLE	1	



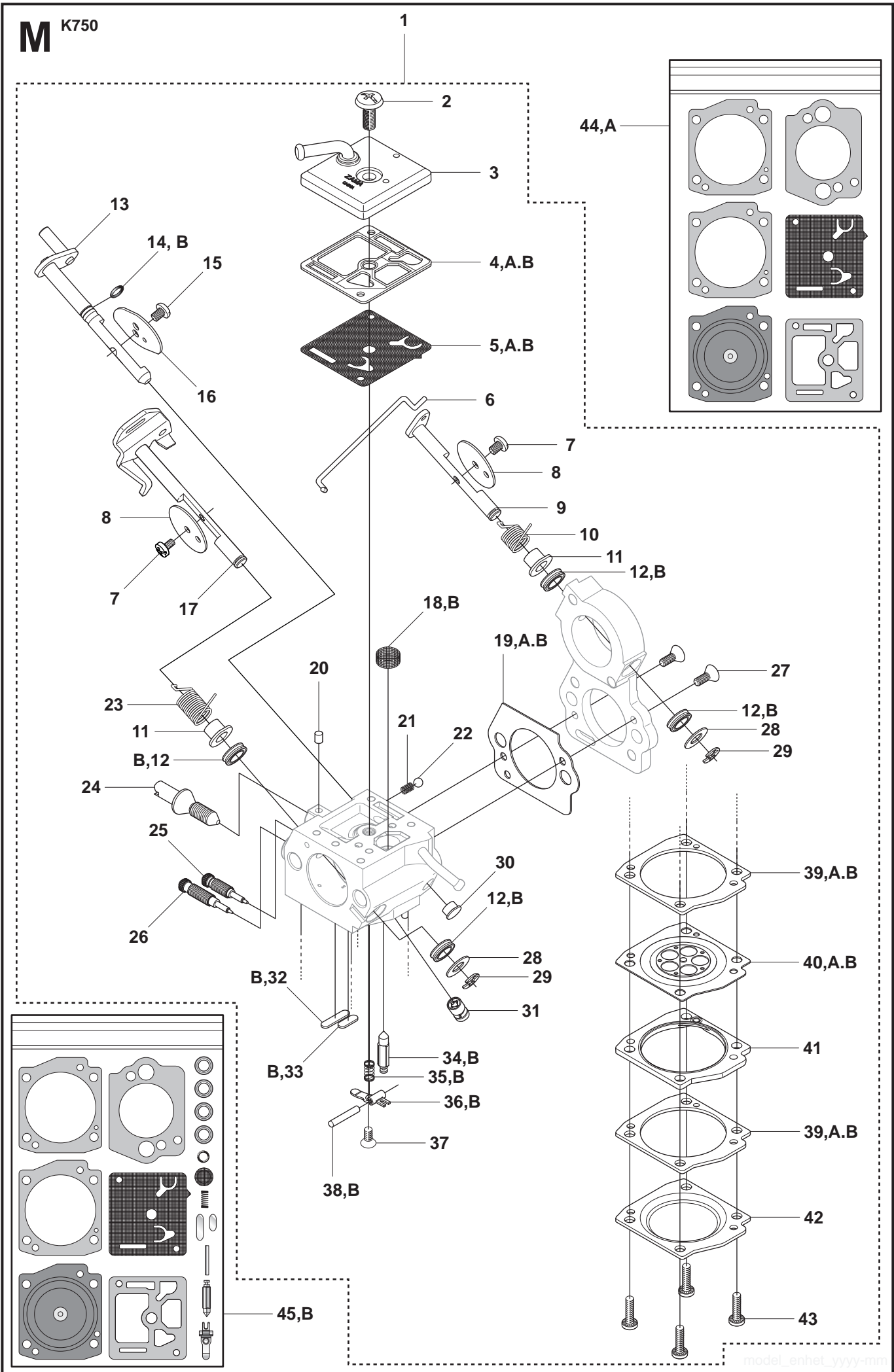
K750





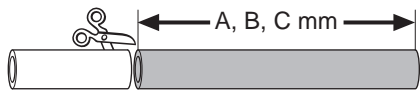
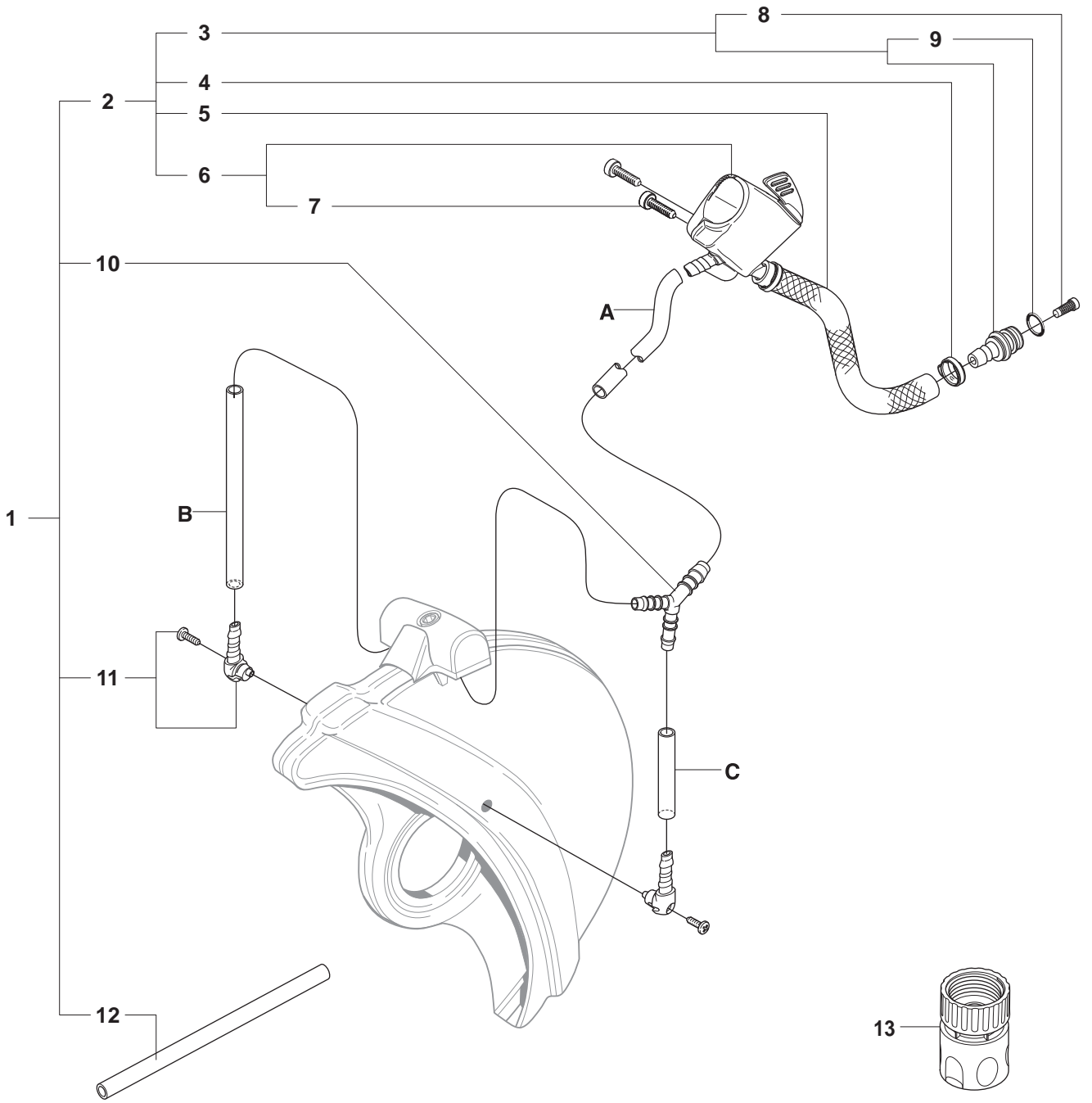
K750

Pos.	Compl No.	Part No.	Description	Qty.	Notes
1		544 18 16-02	FILTER	1	
2		506 39 32-02	CARBURETTOR BRACKET	1	Incl. 9
3		503 21 53-10	SCREW	2	
4		506 38 64-01	INLET PIPE	1	Incl. 10, 11, 12, 13, 14, 15, 16
5		503 21 53-56	SCREW	2	
6		503 28 32-09	CARBURETTOR	1	Zama C3-EL29
7		506 37 68-02	GASKET CARBURETTOR	1	
8		506 38 55-05	CARBURETTOR BRACKET	1	Incl. 2, 3, 4, 5, 6, 7
9		503 22 65-04	NUT	4	
10		506 37 06-01	FLANGE INLET PIPE	1	
11		506 36 98-01	INLET PIPE	1	
12		503 21 53-20	SCREW	1	
13		506 37 05-01	FLANGE INLET PIPE	1	
14		506 36 97-01	INLET PIPE	1	
15		503 40 06-09	IMPULSE HOSE	1	
16		506 39 52-01	PLATE	1	



M K750

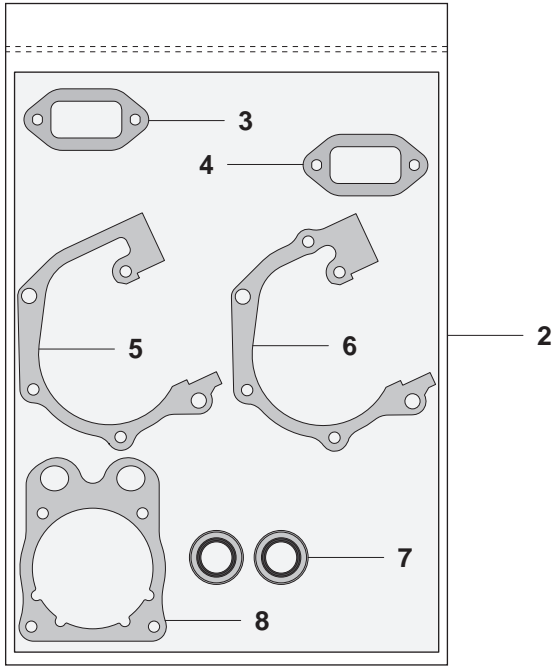
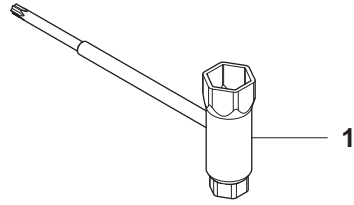
Pos.	Compl No.	Part No.	Description	Qty.	Notes
1		503 28 32-09	CARBURETTOR	1	Zama C3-EL29, Incl. 2 - 43
2		503 47 96-01	SCREW	1	
3		544 83 64-01	PUMP COVER	1	
4		503 61 66-01	GASKET PUMP	1	
5		506 39 60-01	DIAPHRAGM PUMP	1	
6		506 39 65-01	ROD	1	
7		544 08 22-01	SCREW	2	
8		537 17 70-01	VALVE	2	
9		506 39 71-01	SHAFT ASSY	1	
10		506 39 75-01	SPRING	1	
11		506 39 54-01	COLLAR	2	
12		506 39 64-01	QUAD RING	4	
13		506 39 73-01	SHAFT ASSY CHOKE	1	
14		506 39 90-01	O-RING	1	
15		503 48 18-01	SCREW	1	
16		506 39 78-01	VALVE	1	
17		506 39 74-01	SHAFT ASSY	1	
18		503 53 57-01	STRAINER	1	
19		506 39 58-01	GASKET	1	
20		503 48 11-01	PIECE	1	
21		537 01 26-01	SPRING	1	
22		537 01 25-01	BALL	1	
23		544 83 65-01	SPRING	1	
24		506 39 72-01	SCREW	1	
25		506 39 70-01	SCREW	1	
26		506 39 69-01	SCREW	1	
27		537 38 51-01	SCREW	2	
28		506 39 79-01	WASHER	2	
29		537 38 52-01	E-CLIP	2	
30		506 39 91-01	PLUG	1	
31		506 39 61-01	NOZZLE ASSY	1	
32		503 53 56-01	PLUG WELCH	1	
33		537 17 78-01	PLUG	1	
34		537 17 62-01	VALVE	1	
35		537 27 34-01	SPRING	1	
36		537 17 64-01	LEVER	1	
37		544 08 21-01	SCREW	1	
38		503 48 00-01	PIN RETAINING SCREW	1	
39		506 39 62-01	GASKET	2	
40		506 39 57-01	DIAPHRAGM ASSY	1	
41		506 39 55-01	COVER	1	
42		506 39 56-01	COVER	1	
43		506 39 66-01	SCREW	4	
44		506 40 99-01	GASKET KIT	1	Incl. 4, 5, 19, 39, 40
45		506 41 00-01	GASKET KIT CARB	1	Incl. 4, 5, 12, 14, 32, 33, 34, 35, 36, 38, 39, 40



Product	A (mm)	B (mm)	C (mm)
K750 12"	240	240	45
K750 14"	240	280	45

N K750

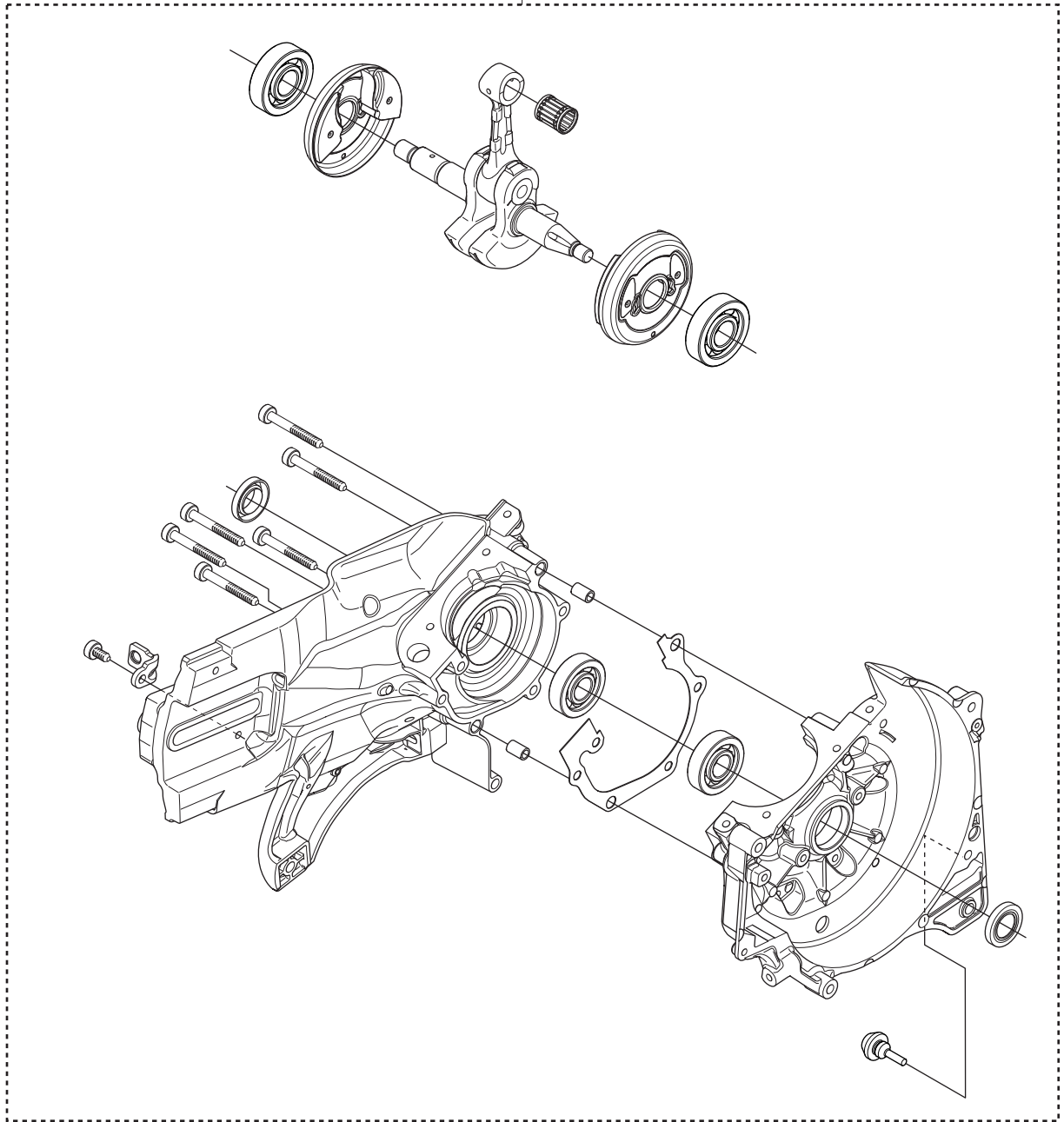
Pos.	Compl No.	Part No.	Description	Qty.	Notes
1		544 00 31-02	WATER HOSE KIT	1	Incl. 2, 10, 11, 12
2		506 38 59-04	HOSE	1	Incl. 3, 4, 5, 6
3		506 29 57-02	NIPPLE	1	Incl. 8, 9
4		506 09 56-06	HOSE CLAMP	2	
5		506 09 75-02	HOSE	1	L=230 mm
6		506 38 60-12	VALVE ASSY	1	Incl. 7
7		503 21 54-20	SCREW	2	
8		506 29 88-01	FILTER	1	
9		503 26 30-21	O-RING	1	
10		506 32 87-01	Y-TUBE	1	
11		506 29 56-01	NIPPLE	2	
12		506 09 58-24	HOSE	1	800 mm
13		503 26 60-01	COUPLER	1	



P K750

Pos.	Compl No.	Part No.	Description	Qty.	Notes
1		506 38 26-01	COMBINATION TOOL	1	
2		506 38 53-04	GASKET KIT	1	Incl. 3, 4, 5, 6, 7, 8
3		506 41 23-01	GASKET	1	
4		506 37 69-02	GASKET MUFFLER	1	
5		506 37 70-02	GASKET CRANKCASE	1	5 bolts crakcase
6		506 37 70-03	GASKET CRANKCASE	1	6 bolts crakcase
7		506 37 67-02	GASKET CYLINDERBASE	1	
8		503 26 02-04	SEALING RING	2	

1

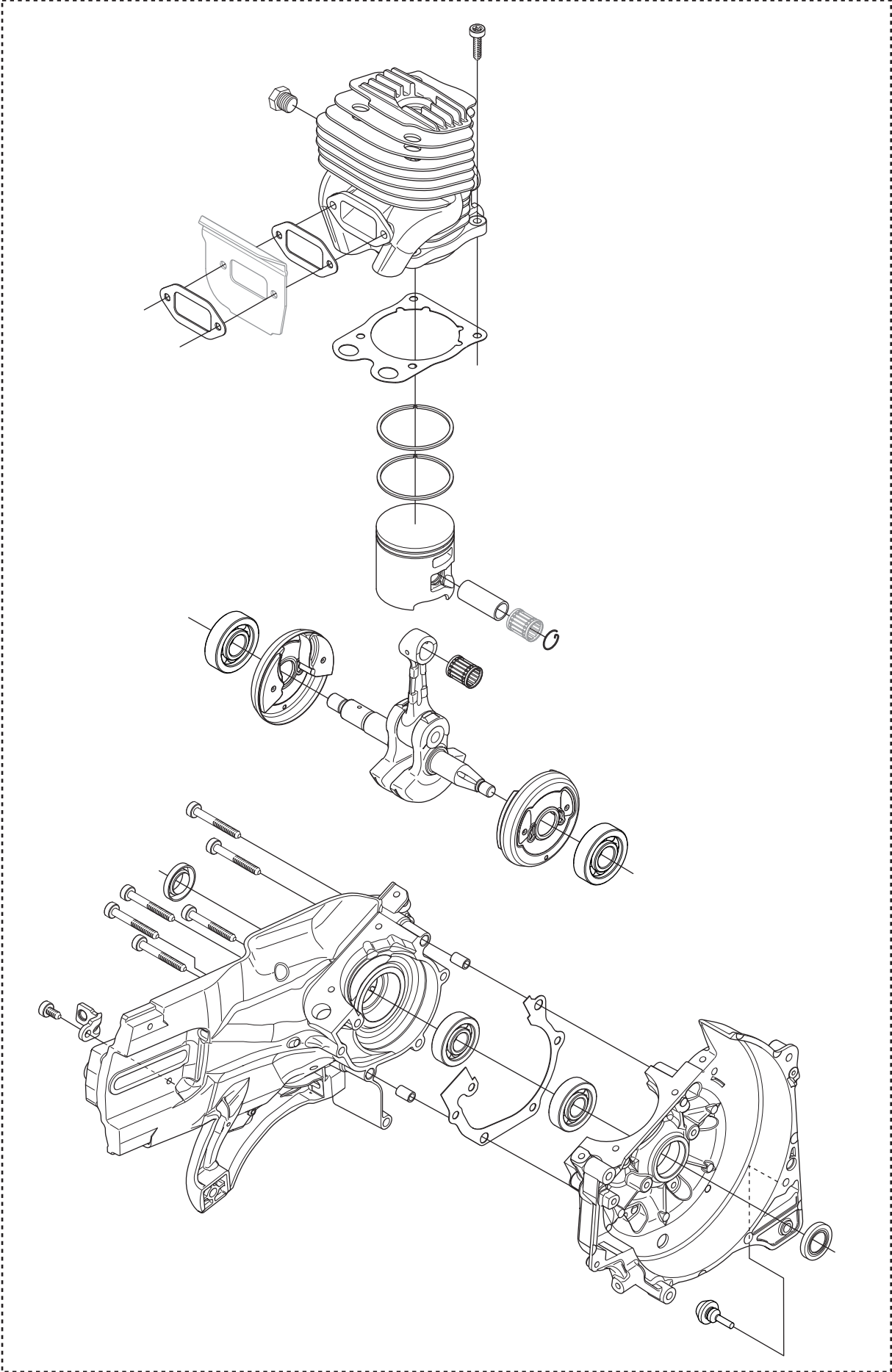


Q

K750

Pos.	Compl No.	Part No.	Description	Qty.	Notes
1		544 88 90-03	CRANKCASE ASSY	1	

1



R K750

Pos.	Compl No.	Part No.	Description	Qty.	Notes
1		544 88 90-04	CRANKCASE ASSY	1	