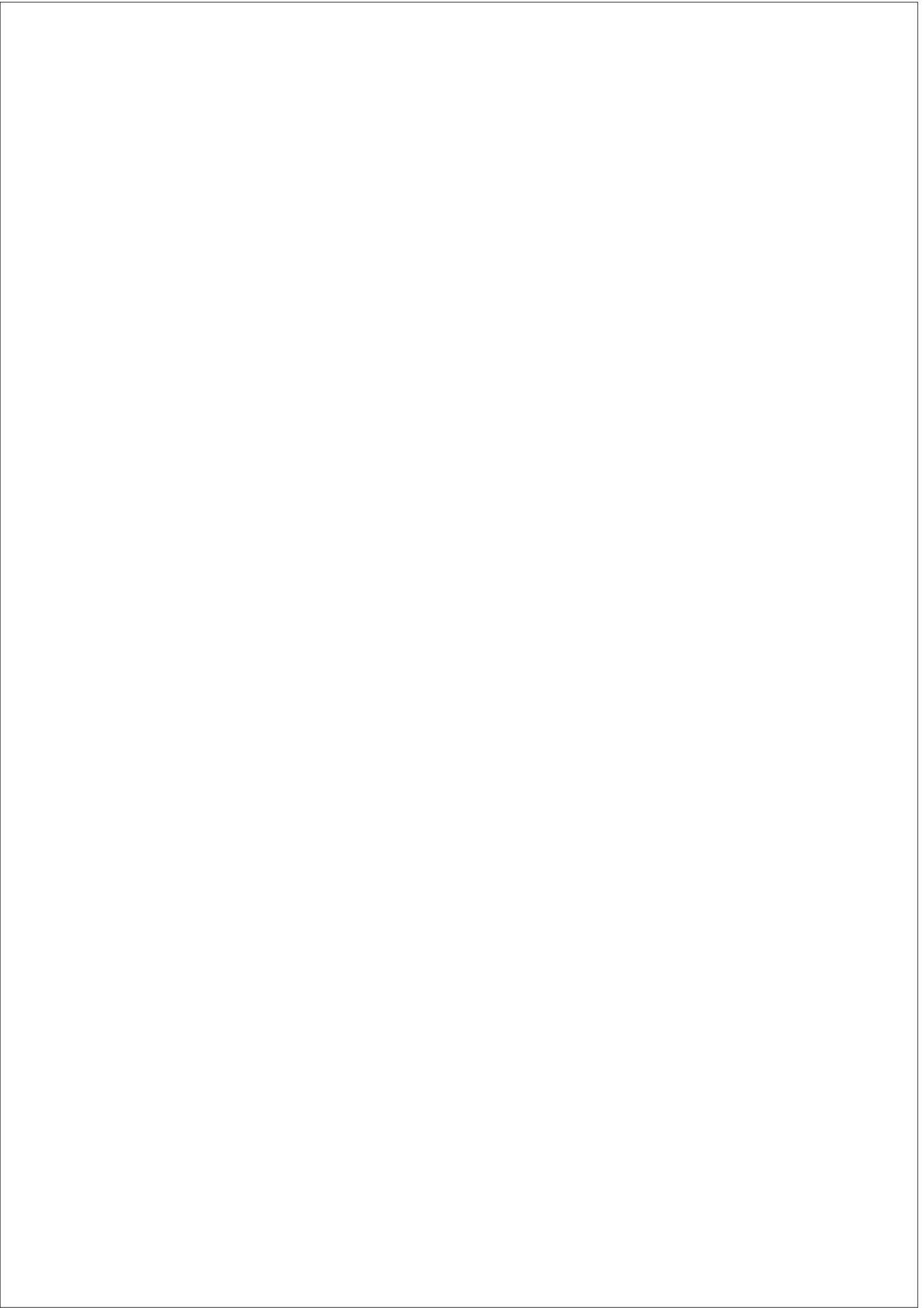




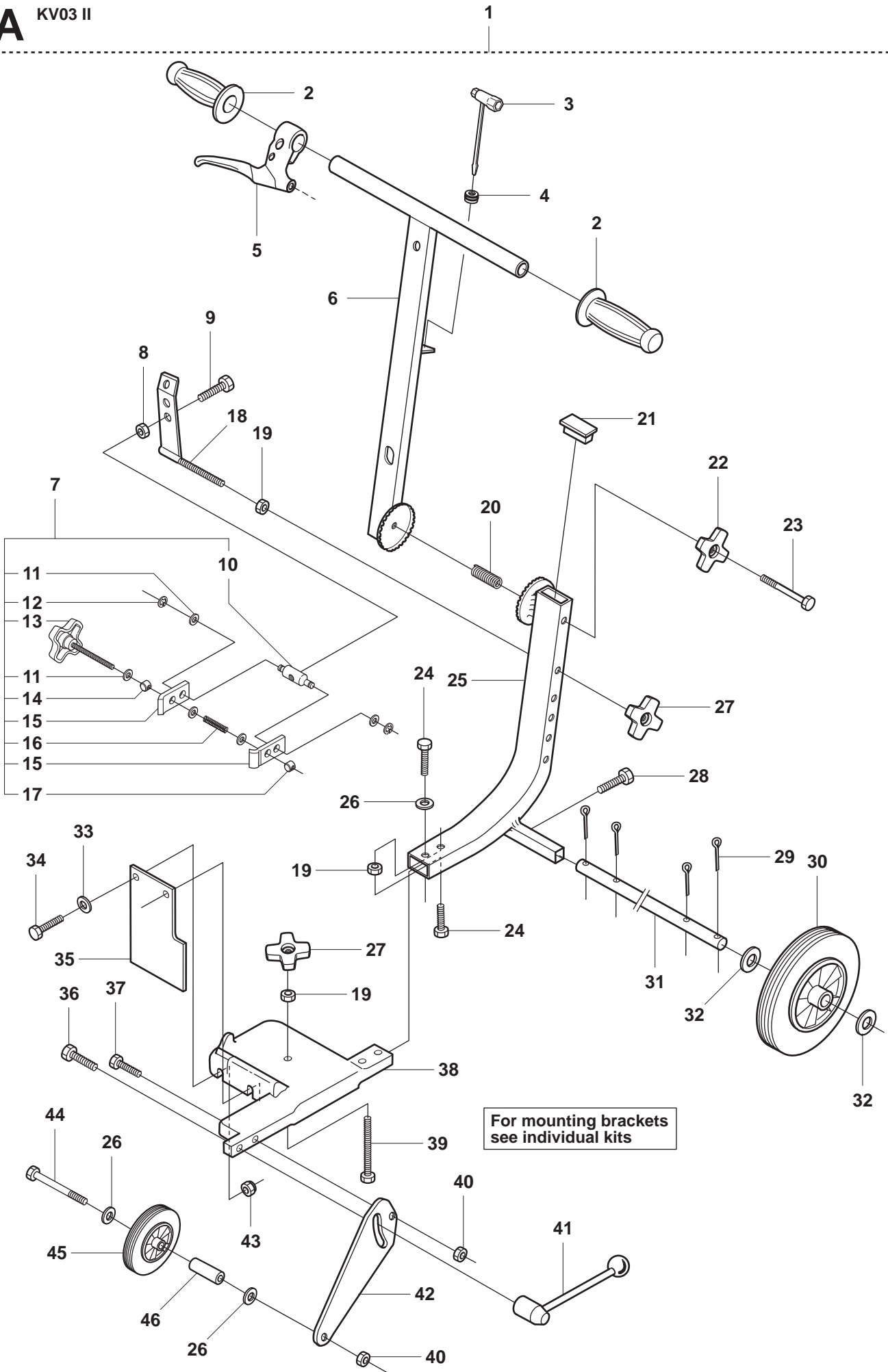
KV03

Spare parts



No.	Pos.	Description	No.	Pos.	Description
501 69 17-02	A	COMBINATION TOOL	506 36 10-01	A	HOOK
			506 36 11-01	A	RETAINER
503 22 65-04	A	NUT	506 36 12-01	A	NUT
503 47 16-01	GH	BUFFER	506 36 13-01	A	NUT
			506 36 14-01	A	STEERING WHEEL
			506 36 15-01	A	COMPRESSION SPRING
			506 36 16-01	GH	THROTTLE WIRE
504 11 17-04	G	ASSEMBLY KIT			
504 11 17-05	G	ASSEMBLY KIT	506 36 20-01	H	THROTTLE
504 11 17-06	H	ASSEMBLY KIT			
504 12 50-17	AB	ANTIVIBE ELEMENT	506 36 22-01	H	CLAMP
506 10 88-01	GH	CABLE RETAINER	506 36 23-01	H	LEVER
506 13 66-02	A	SPACING SLEEVE	506 36 24-01	H	BRACKET
506 13 97-01	A	HANDLE			
506 20 07-03	A	WHEEL	506 36 58-01	G	KIT
506 20 07-04	A	WHEEL			
506 20 52-01	A	SHAFT			
506 20 55-02	GH	COMPRESSION SPRING			
506 22 21-01	A	HANDLE			
506 29 54-04	A	CUTTING TROLLEY	531 03 10-12	A	WASHER
506 29 55-12	B	WATER TANK	720 12 71-52	B	PIN
			721 61 98-01	A	LOOP
506 30 20-02	B	LABEL			
506 30 47-01	A	LEVER			
506 30 51-02	A	BRACKET			
			725 23 29-51	AGH	SCREW
506 30 66-01	G	RETAINER	725 24 51-51	AGH	SCREW
506 30 70-01	GH	CLAMP	725 24 55-71	A	SCREW
			725 24 59-51	A	SCREW
506 30 76-01	G	PRESSURE PLATE	725 24 63-51	H	SCREW
			725 24 65-51	A	SCREW
506 30 81-01	H	BRACKET	725 24 65-71	A	SCREW
506 30 83-01	H	PRESSURE PLATE	725 24 69-51	H	SCREW
			725 24 75-51	A	SCREW
506 30 84-01	B	WATER TANK	725 24 99-71	A	SCREW
506 30 85-01	B	CAP	725 25 40-71	A	SCREW
506 30 86-01	B	BRACKET	725 53 29-55	H	SCREW
506 30 87-01	B	COUPLER			
506 30 88-01	B	COUPLER			
506 30 92-01	B	NUT	731 23 18-01	AH	NUT
506 30 94-01	B	KNOB	731 23 20-51	A	NUT
506 30 96-01	A	SPRAY GUARD	732 21 14-01	H	LOCK NUT
506 31 05-01	GH	RETAINER	732 21 18-01	A	LOCK NUT
506 31 39-01	A	PLUG			
506 31 41-01	B	VALVE	734 11 52-01	A	WASHER
506 31 42-01	B	HOSE			
506 31 45-01	H	SPACER TUBE	734 11 65-41	A	WASHER
506 31 47-01	E	CLIP	734 18 09-51	A	WASHER
			735 31 09-20	A	WASHER
506 31 58-01	E	BRACKET ASSY			
506 31 95-01	AGH	STEERING WHEEL	740 42 09-00	B	O-RING
506 35 98-01	A	FRAME TUBE	740 48 03-03	B	O-RING
			740 48 12-04	B	O-RING
506 35 99-01	A	HANDLE			
506 36 00-01	A	COMPRESSION SPRING			
506 36 01-01	A	STEERING WHEEL			
506 36 02-01	A	WEIGHT			
506 36 03-01	A	THROTTLE HANDLE			
506 36 04-01	G	CLAMP			
506 36 05-01	G	LEVER			
506 36 09-01	A	BRACKET			

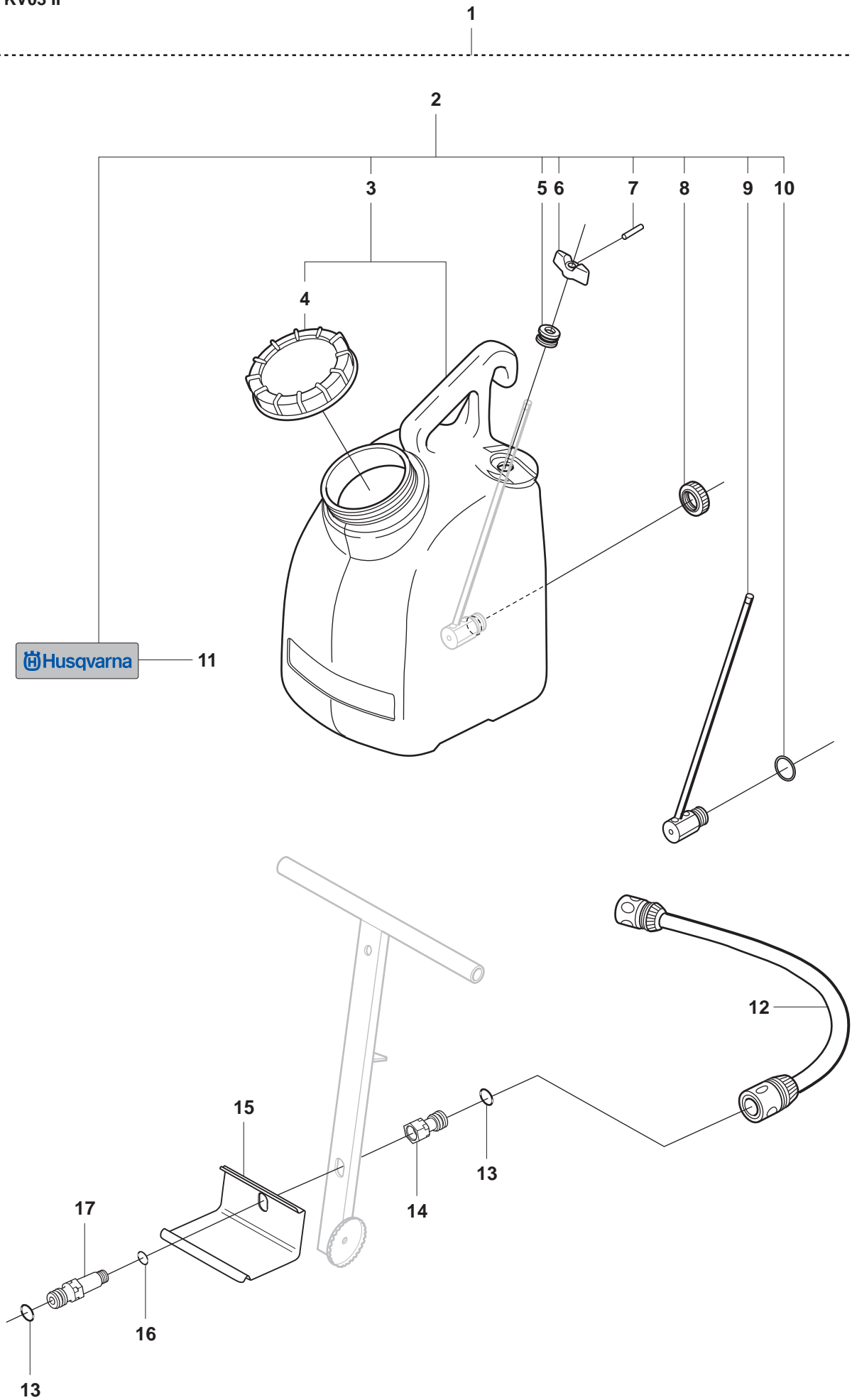
A KV03 II



For mounting brackets
see individual kits

Page A
KV03 II

Pos.	Part No.	Description	Quantity	Notes
1	506 29 54-04	CUTTING TROLLEY	1	Incl. 2 - 46
2	506 22 21-01	HANDLE	2	
3	501 69 17-02	COMBINATION TOOL	1	
4	504 12 50-17	ANTIVIBE ELEMENT	1	
5	506 36 03-01	THROTTLE HANDLE	1	
6	506 35 99-01	HANDLE	1	
7	506 36 09-01	BRACKET	1	Incl. 10 - 17
8	731 23 20-51	MUTTER M10 FZ	1	
9	725 24 99-71	SCREW	1	
10	506 36 11-01	RETAINER	1	
11	734 11 52-01	WASHER	5	
12	735 31 09-20	WASHER	2	
13	506 36 14-01	STEERING WHEEL	1	
14	506 36 13-01	NUT	1	
15	506 36 10-01	HOOK	2	
16	506 36 15-01	COMPRESSION SPRING	1	
17	506 36 12-01	NUT	1	
18	506 30 51-02	BRACKET	1	
19	731 23 18-01	NUT	3	
20	506 36 00-01	COMPRESSION SPRING	1	
21	506 31 39-01	PLUG	1	
22	506 36 01-01	STEERING WHEEL	1	
23	725 24 75-51	SCREW	1	
24	725 24 55-71	SCREW	2	
25	506 35 98-01	FRAME TUBE	1	
26	734 11 65-41	WASHER	1	
27	506 31 95-01	STEERING WHEEL	2	
28	725 24 51-51	SCREW	1	
29	721 61 98-01	LOOP	4	
30	506 20 07-03	WHEEL	2	
31	506 20 52-01	SHAFT	1	
32	531 03 10-12	WASHER	2	
33	734 18 09-51	WASHER	2	
34	725 23 29-51	SCREW	2	
35	506 30 96-01	SPRAY GUARD	1	
36	725 25 40-71	SCREW	1	
37	725 24 59-51	SCREW	1	
38	506 36 02-01	WEIGHT	1	
39	725 24 65-71	SCREW	1	
40	732 21 18-01	LOCK NUT	2	
41	506 13 97-01	HANDLE	1	
42	506 30 47-01	LEVER	1	
43	503 22 65-04	NUT	2	
44	725 24 65-51	SCREW	1	
45	506 20 07-04	WHEEL	1	
46	506 13 66-02	SPACING SLEEVE	1	



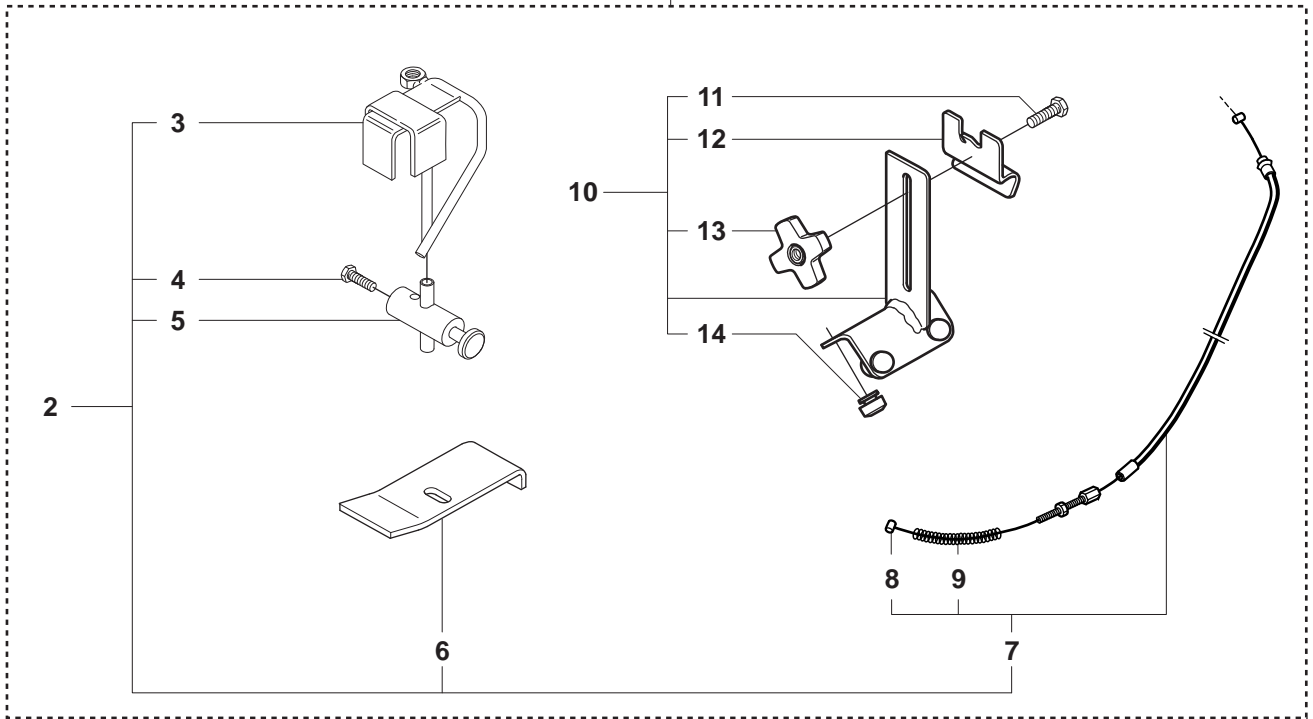
Page B
KV03 II

Pos.	Part No.	Description	Quantity	Notes
1	504 14 30-01	WATER TANK CPL.	1	Incl. 2 - 17
2	506 29 55-12	WATER TANK	1	Incl. 3 - 11
3	506 30 84-01	WATER TANK	1	Incl. 4
4	506 30 85-01	CAP	1	
5	504 12 50-17	ANTIVIBE ELEMENT	1	
6	506 30 94-01	KNOB	1	
7	720 12 71-52	PIN	1	
8	506 30 92-01	NUT	1	
9	506 31 41-01	VALVE	1	
10	740 48 12-04	O-RING	1	
11	506 30 20-02	LABEL	1	
12	506 31 42-01	HOSE	1	
13	740 48 03-03	O-RING	1	
14	506 30 87-01	COUPLER	1	
15	506 30 86-01	BRACKET	1	
16	740 42 09-00	O-RING	1	
17	506 30 88-01	COUPLER	1	

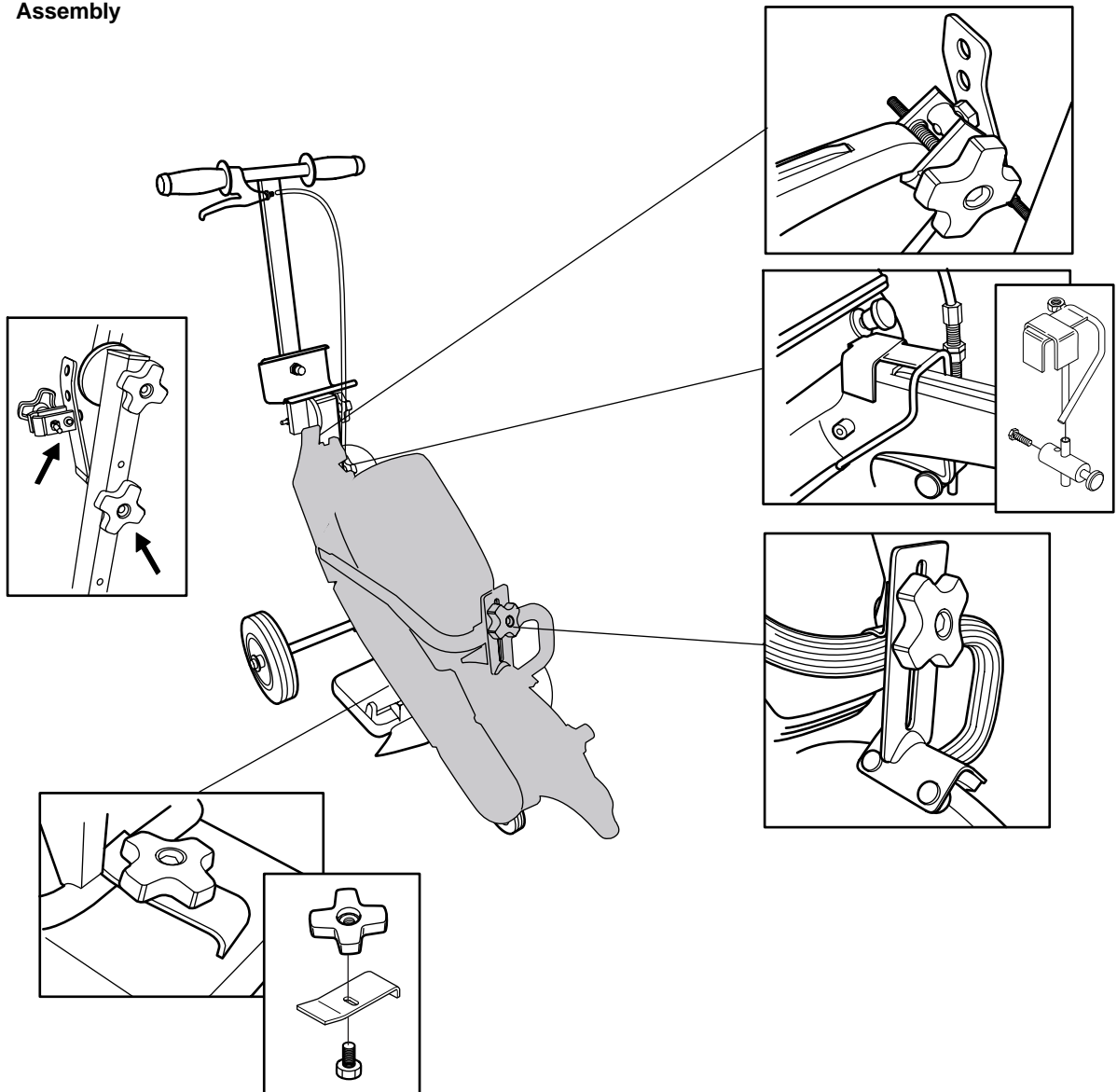


KV03 II
Mounting kit for K1250, 3120K

1



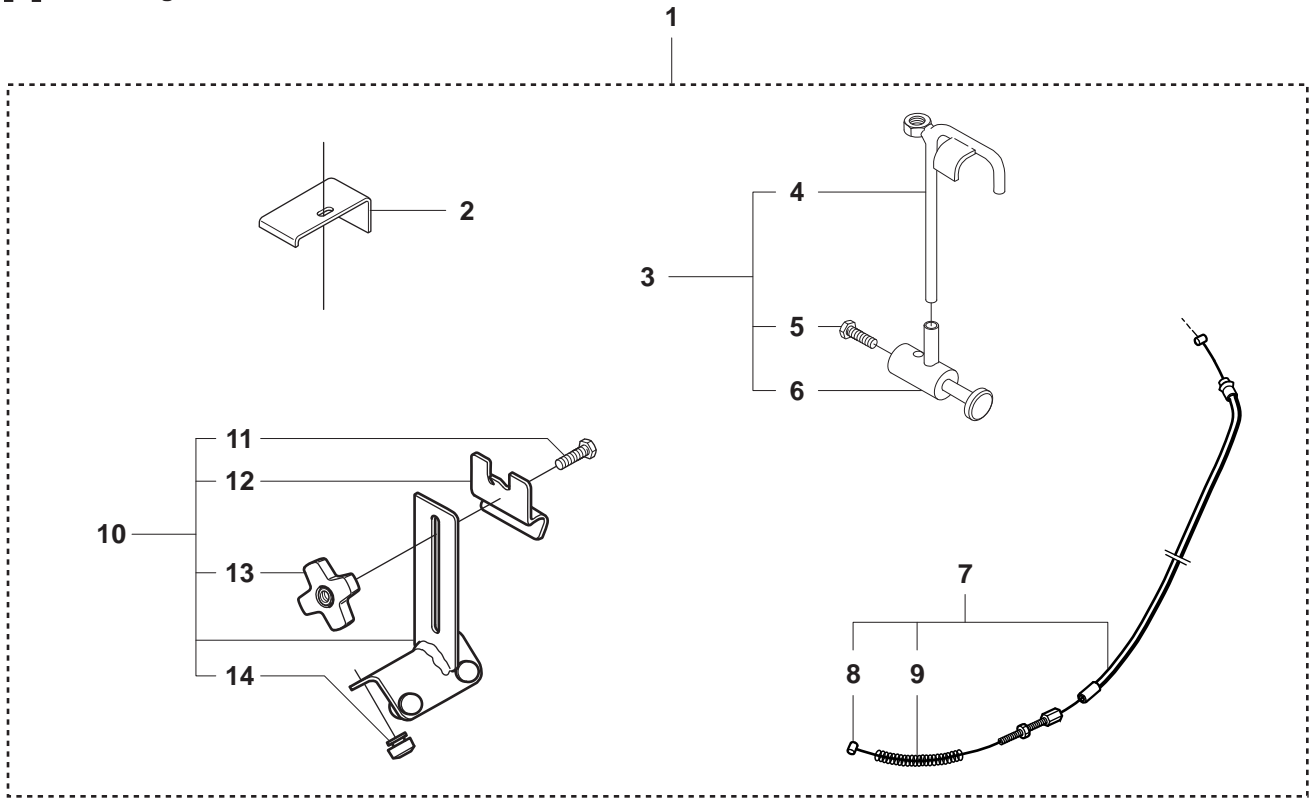
K1250 Active Assembly



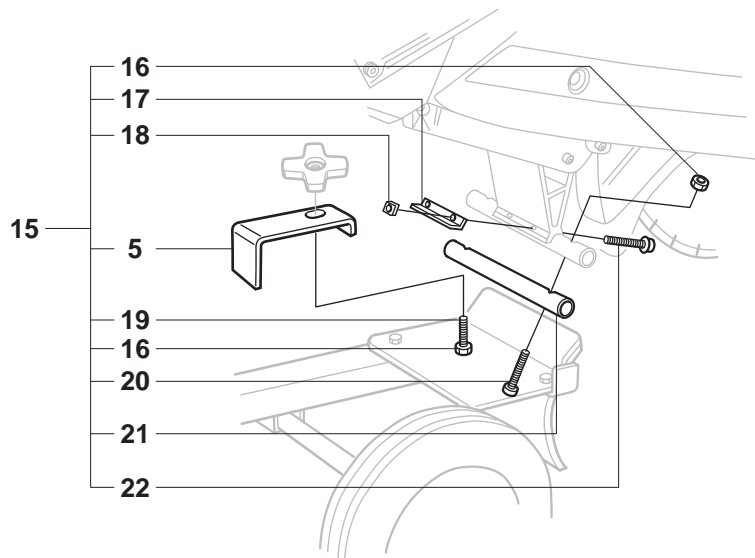
Page G**KV03 II**

Pos.	Part No.	Description	Quantity	Notes
1	504 11 17-04	ASSEMBLY KIT	1	K1250. Incl. 2, 10
1	504 11 17-05	ASSEMBLY KIT	1	3120K. Incl. 2, 10
2	506 36 58-01	KIT	1	Incl. 3 - 7
3	506 36 04-01	CLAMP	1	
4	725 23 29-51	SCREW	1	
5	506 36 05-01	LEVER	1	
6	506 30 76-01	PRESSURE PLATE	1	K1250
7	506 36 16-01	THROTTLE WIRE	1	Incl. 8, 9
8	506 10 88-01	CABLE RETAINER	1	
9	506 20 55-02	COMPRESSION SPRING	1	
10	506 30 66-01	RETAINER	1	K1250. Incl. 11 - 14
10	506 31 05-01	RETAINER	1	3120K. Incl. 11 - 14
11	725 24 51-51	SCREW	1	
12	506 30 70-01	CLAMP	1	
13	506 31 95-01	STEERING WHEEL	1	
14	503 47 16-01	BUFFER	4	

H KV03 II
Mounting kit for 371K



Adapter Kit 371K



Page H
KV03 II

Pos.	Part No.	Description	Quantity	Notes
1	504 11 17-06	ASSEMBLY KIT	1	Incl. 2, 3, 7, 10
2	506 30 83-01	PRESSURE PLATE	1	
3	506 36 20-01	THROTTLE	1	Incl. 4, 5, 6
4	506 36 22-01	CLAMP	1	
5	725 23 29-51	SCREW	1	
6	506 36 23-01	LEVER	1	
7	506 36 16-01	THROTTLE WIRE	1	Incl. 8, 9
8	506 10 88-01	CABLE RETAINER	1	
9	506 20 55-02	COMPRESSION SPRING	1	
10	506 31 05-01	RETAINER	1	Incl. 11, 12, 13, 14
11	725 24 51-51	SCREW	1	
12	506 30 70-01	CLAMP	1	
13	506 31 95-01	STEERING WHEEL	1	
14	503 47 16-01	BUFFER	4	
15	506 36 24-01	BRACKET	1	Incl. 5, 16 - 22
16	731 23 18-01	NUT	2	
17	506 30 81-01	BRACKET	1	
18	732 21 14-01	LOCK NUT	2	
19	725 24 69-51	SCREW	1	
20	725 24 63-51	SCREW	2	
21	506 31 45-01	SPACER TUBE	2	
22	725 53 29-55	SCREW	2	

ASSEMBLY INSTRUCTION

KV03 MKII Cart

