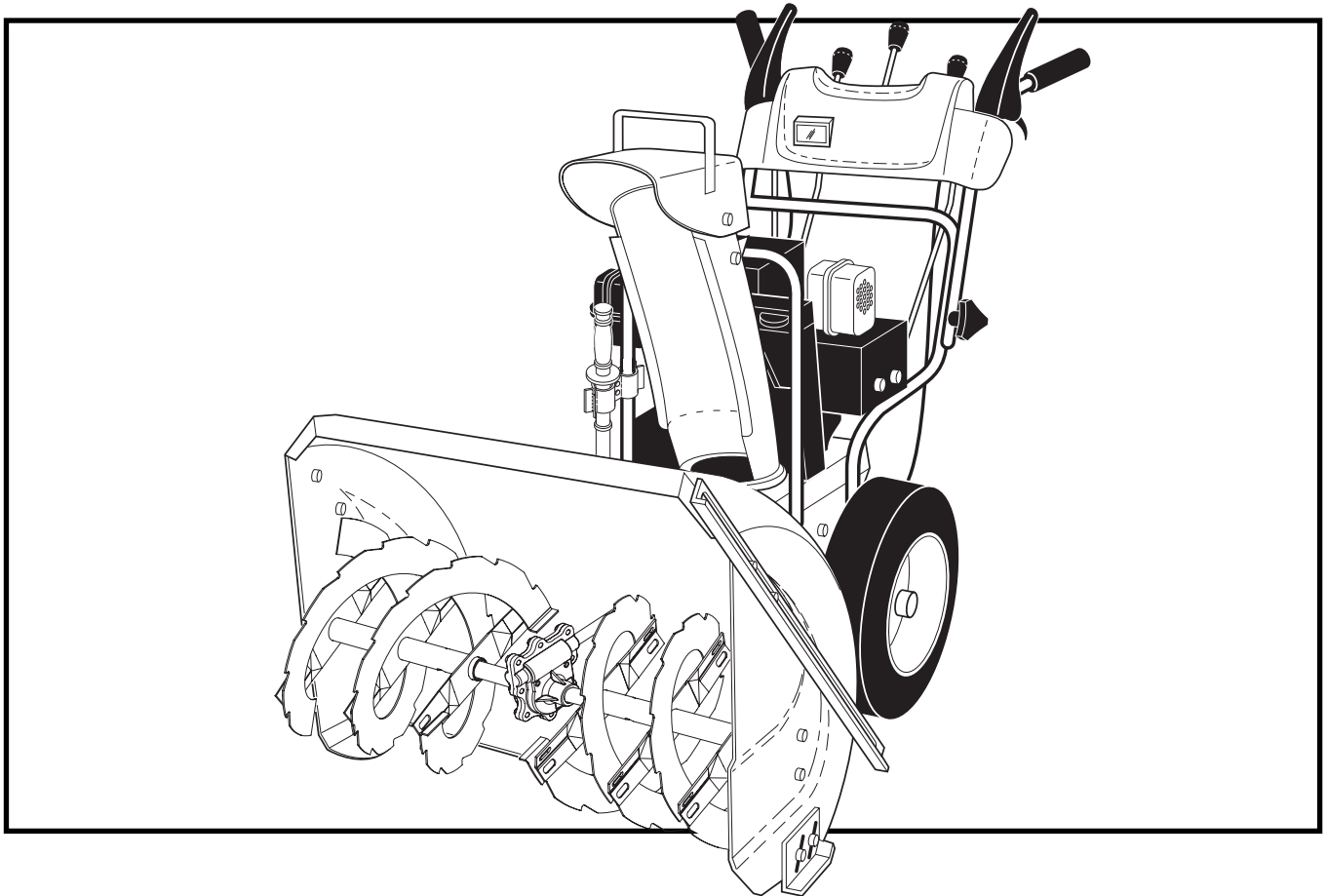


Snow Thrower

# 10527 SBE

## 96193001603

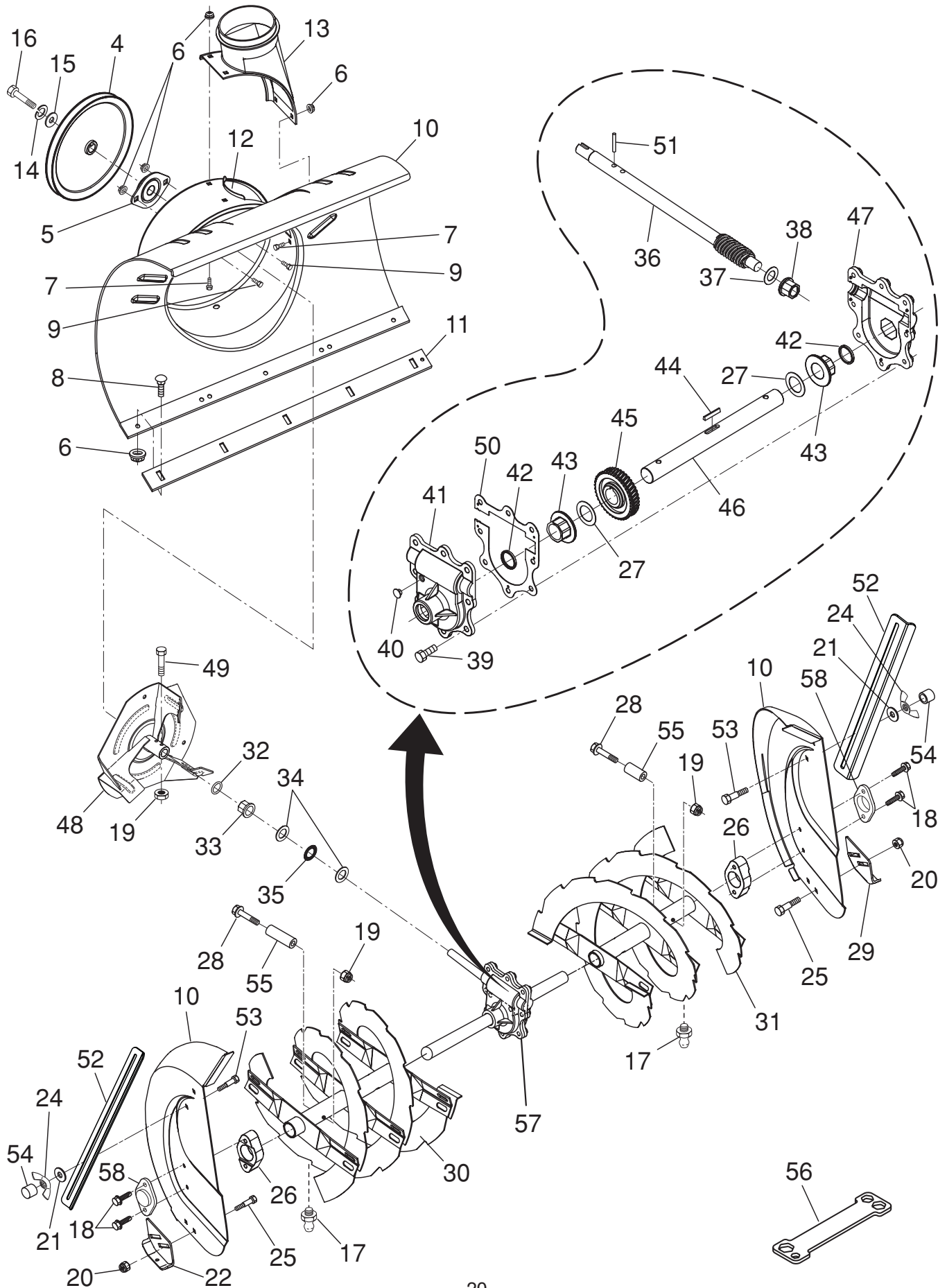


**Repair Parts Manual**

# REPAIR PARTS

# AUGER HOUSING / IMPELLER ASSEMBLY

SNOW THROWER - MODEL NO. 10527SBE (96193001603), PRODUCT NO. 961 93 00-16



**REPAIR PARTS****AUGER HOUSING / IMPELLER ASSEMBLY****SNOW THROWER - MODEL NO. 10527SBE (96193001603), PRODUCT NO. 961 93 00-16**

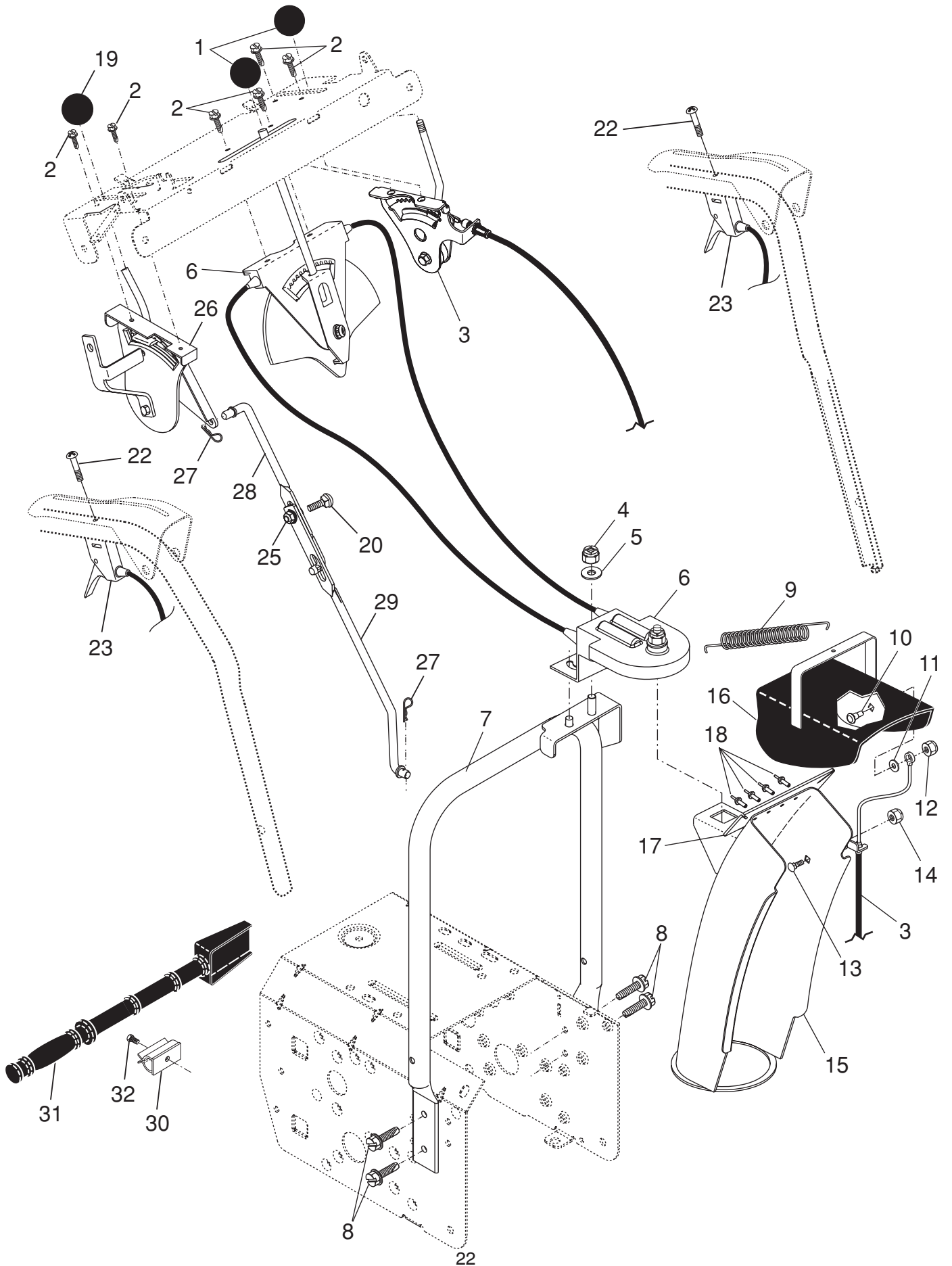
<b>KEY PART NO. NO.</b>	<b>DESCRIPTION</b>	<b>KEY PART NO. NO.</b>	<b>DESCRIPTION</b>
4 532 19 10-79	Pulley, Impeller	32 532 40 77-68	O-Ring
5 532 18 89-09	Bearing Assembly, Flange	33 <b>532 40 77-69</b>	Bushing, Flange 3/4
6 <b>532 15 53-77</b>	Nut, Hex Flange 5/16-18	34 532 17 46-81	Washer, Thrust 3/4
7 532 18 03-55	Bolt, Flat Head, Carriage 5/16-18 x 5/8	35 532 17 46-84	Bearing, Thrust 3/4
8 872 27 05-05	Bolt, Carriage 5/16-1 8 x 5/8	36 <b>532 40 77-57</b>	Shaft, Impeller
9 <b>532 16 31-83</b>	Bolt	37 532 17 46-83	Washer, Thrust 5/8
10 532 40 77-39	Housing, Auger	38 <b>532 40 77-58</b>	Bushing, Flange 5/8
11 532 40 77-27	Bar, Scraper	39 <b>532 40 77-67</b>	Screw, Hex Washer Head 5/16-18 x 3/4
12 532 18 40-95	Bracket, Corner Discharge	40 <b>532 40 77-60</b>	Plug, Case
13 532 17 53-22	Base, Discharge Chute	41 <b>532 40 77-61</b>	Housing, Gearbox, RH
14 <b>810 04 05-00</b>	Washer, Lock 5/16	42 <b>532 40 77-70</b>	Seal, Oil
15 819 11 15-07	Washer, Flat	43 <b>532 40 77-62</b>	Bushing, Flange, 1"
16 <b>874 94 05-16</b>	Screw, Hex Head 5/16-18 x 3/4	44 532 18 92-82	Key, Square 1/4 x 1/4 x 7/8
17 532 40 56-37	Grease Fitting	45 <b>532 40 77-63</b>	Gear, Worm
18 532 17 95-82	Screw, Hex Head 5/16 x 1	46 <b>532 40 77-64</b>	Shaft, Auger
19 873 80 04-00	Nut, Hex Lock 1/4-20	47 <b>532 40 77-65</b>	Housing, Gearbox, LH
20 <b>532 15 53-77</b>	Nut, Hex Lock 5/16-18	48 532 18 41-05	Impeller Assembly
21 532 40 13-47	Washer, Flat 5/16	49 874 78 04-26	Screw, Hex Head 1/4-20 x 1-5/8
22 532 40 78-34	Skid Plate, Heavy Duty	50 <b>532 40 77-66</b>	Gasket, Gearbox
24 532 12 86-38	Wing Nut	51 532 18 42-05	Pin, Roll 3/16 x 1-1/8
25 <b>872 27 05-06</b>	Bolt, Shoulder 1/4-20	52 <b>532 18 47-47</b>	Bar, Drift
26 532 18 81-70	Plastic Retainer	53 <b>872 27 05-06</b>	Bolt, Hex Head
27 532 17 46-97	Washer, Thrust, 1"	54 532 19 87-09	Stop
28 532 19 86-36	Bolt, Shear	55 532 19 86-38	Spacer
30 532 40 78-96	Auger Assembly, RH	56 532 18 06-84	Multi-Wrench
31 532 40 78-95	Auger Assembly, LH	57 <b>532 19 67-10</b>	Gearbox Assembly
		58 <b>532 18 79-25</b>	Bearing

**NOTE:** All component dimensions given in U.S. inches. 1 inch = 25.4 mm**IMPORTANT:** Use only Original Equipment Manufacturer (O.E.M.) replacement parts.  
Failure to do so could be hazardous, damage your snow thrower and void your warranty.

# REPAIR PARTS

# CONTROL PANEL / DISCHARGE CHUTE

SNOW THROWER - MODEL NO. 10527SBE (96193001603), PRODUCT NO. 961 93 00-16



## REPAIR PARTS

## CONTROL PANEL / DISCHARGE CHUTE

SNOW THROWER - MODEL NO. **10527SBE** (96193001603), PRODUCT NO. 961 93 00-16

KEY NO.	PART NO.	DESCRIPTION
1	<b>532 41 42-80</b>	Knob, Lever
2	817 50 10-10	Screw #10-24 x 5/8
3	532 19 84-75	Control Assembly, Deflector
4	873 80 06-00	Nut, Lock 3/8-16
5	819 13 13-16	Washer, Flat 3/8
6	532 40 49-74	Control Assembly, Chute Rotater
7	532 40 76-43	Support, Pivot
8	532 15 00-78	Screw, Hex Head 5/16-18 x 3/4
9	532 18 45-05	Spring, Deflector
10	532 17 98-29	Bolt, Shoulder
11	532 17 92-46	Washer, Friction, Nylon
12	<b>532 19 17-30</b>	Nut, Lock 1/4-20
13	872 25 05-05	Bolt, Carriage 5/16-18
14	532 75 11-53	Nut, Lock 5/16-18
15	532 40 76-50	Chute Assembly
16	532 18 41-13	Deflector Assembly
17	532 17 91-45	Seal, Deflector
18	532 12 84-15	Rivet, Blind
19	<b>532 41 42-81</b>	Knob, Speed Control Lever
20	872 27 05-06	Bolt, Carriage 5/16-18 x 3/4
22	874 04 10-24	Screw #10-24 x 1-1/2
23	532 19 24-49	Control Assembly, Power Steering
25	<b>532 15 53-77</b>	Nut, Lock 5/16-18
26	532 19 84-74	Lever Assembly, Speed Control
27	532 16 96-75	Retainer, Hairpin
28	532 18 04-45	Rod, Upper, Speed Control
29	532 18 77-16	Rod, Lower, Speed Control
30	<b>532 40 54-00</b>	Clamp, Clean-Out Tool
31	532 19 21-99	Tool, Clean-Out
32	<b>532 19 41-89</b>	Screw HI-LO 13-16 x 5/8

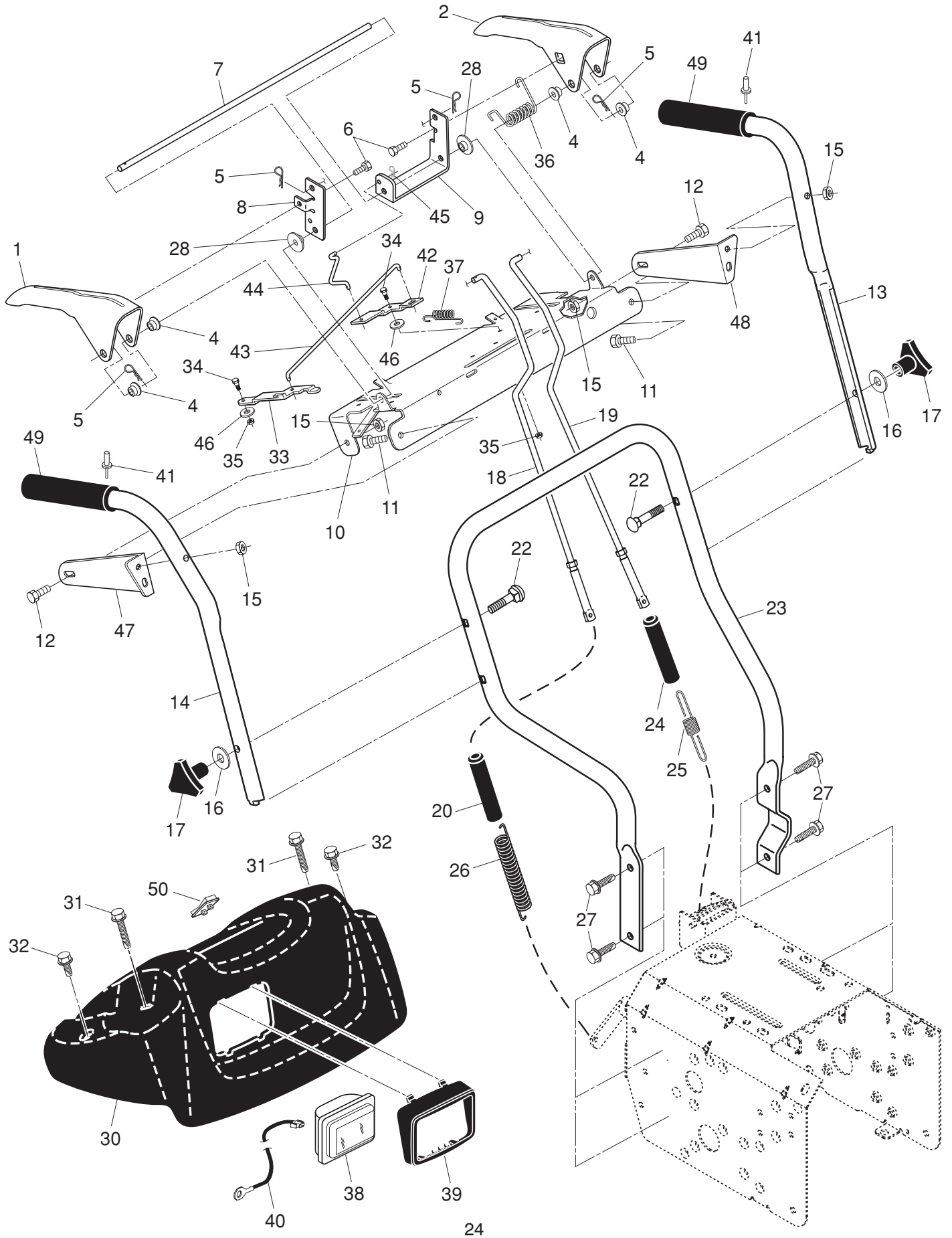
**NOTE:** All component dimensions given in U.S. inches. 1 inch = 25.4 mm

**IMPORTANT:** Use only Original Equipment Manufacturer (O.E.M.) replacement parts. Failure to do so could be hazardous, damage your snow thrower and void your warranty.

# REPAIR PARTS

# HANDLES

SNOW THROWER - MODEL NO. 10527SBE (96193001603), PRODUCT NO. 961 93 00-16



**REPAIR PARTS****HANDLES****SNOW THROWER - MODEL NO. 10527SBE (96193001603), PRODUCT NO. 961 93 00-16**

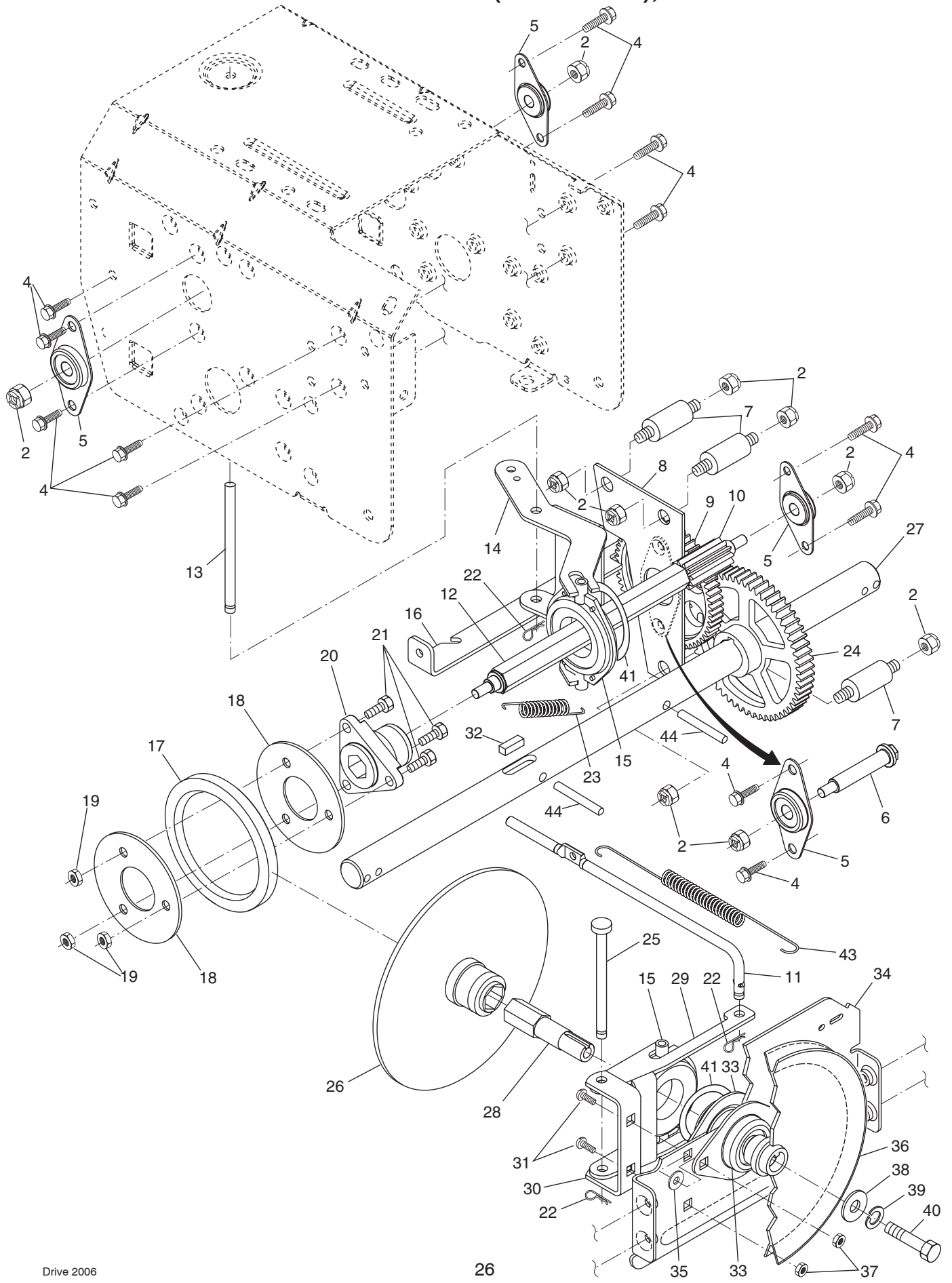
<b>KEY PART NO.</b>	<b>PART NO.</b>	<b>DESCRIPTION</b>
1	532 40 76-49	Lever, Auger Control, RH
2	532 40 76-48	Lever, Traction Drive Control, LH
4	532 17 88-88	Bushing, Flange
5	532 16 96-75	Retainer, Hairpin
6	817 06 04-08	Screw, Hex Head
7	532 17 86-52	Rod, Interlock
8	<b>532 41 52-35</b>	Arm, Impeller Rod
9	532 19 95-75	Arm, Traction Rod
10	532 19 95-31	Panel, Control
11	874 78 05-24	Screw, Hex Head 5/16-18 x 1-1/2
12	874 78 05-12	Screw, Hex Head 5/16-18 x 1-3/4
13	<b>532 41 52-36</b>	Handle Tube, LH
14	<b>532 41 52-37</b>	Handle Tube, RH
15	532 75 11-53	Nut, Lock 5/16-18
16	819 13 13-16	Washer, Flat 3/8
17	532 17 88-99	Knob, Handle
18	532 18 04-80	Rod, Auger Control
19	532 18 04-81	Rod, Traction Control
22	872 12 06-18	Bolt, Carriage 3/8-16 x 2-1/4
23	532 18 40-87	Handle Tube, Lower
24	532 18 04-47	Sleeve, Spring
25	532 18 09-26	Spring, Traction Drive
26	532 17 86-69	Spring, Auger Control
27	817 00 06-16	Screw, Hex Head 3/8-16 x 1
28	<b>532 41 26-80</b>	Spacer Control
29	532 40 57-81	Switch, Heated Handle Grips
30	532 40 58-79	Console, Panel
31	532 17 52-62	Screw, Hex Head, Tapping #10-24 x 1-1/4
32	532 18 44-71	Screw, Hex Head, Tapping #10-24 x 1/2
33	532 19 95-77	Latch, Interlock
34	<b>532 40 13-69</b>	Bolt, Shoulder
35	532 06 80-38	Nut, Lock 1/4-20
36	532 17 88-31	Spring, Torsion
37	532 19 38-85	Spring, Interlock
38	532 17 86-66	Headlight, Halogen (Includes Bulb)
--	532 40 16-20	Bulb, Halogen
39	532 17 86-68	Bezel, Headlight
40	532 40 56-99	Harness, Headlight (Halogen)
41	532 17 87-75	Pop Rivet
42	532 19 95-78	Lever, Interlock
43	532 19 96-38	Rod, Latch, Interlock
44	532 19 63-38	Rod, Arm, Interlock
45	532 70 02-79	Clip
46	<b>532 05 70-79</b>	Washer
47	532 19 69-43	Mounting Bracket, Handle, RH
48	532 19 69-44	Mounting Bracket, Handle, RH
49	<b>532 41 45-15</b>	Grip, Handle, Heated

**NOTE:** All component dimensions given in U.S. inches. 1 inch = 25.4 mm**IMPORTANT:** Use only Original Equipment Manufacturer (O.E.M.) replacement parts. Failure to do so could be hazardous, damage your snow thrower and void your warranty.

# REPAIR PARTS

# DRIVE

SNOW THROWER - MODEL NO. 10527SBE (96193001603), PRODUCT NO. 961 93 00-16





**REPAIR PARTS****DRIVE****SNOW THROWER - MODEL NO. 10527SBE (96193001603), PRODUCT NO. 961 93 00-16**

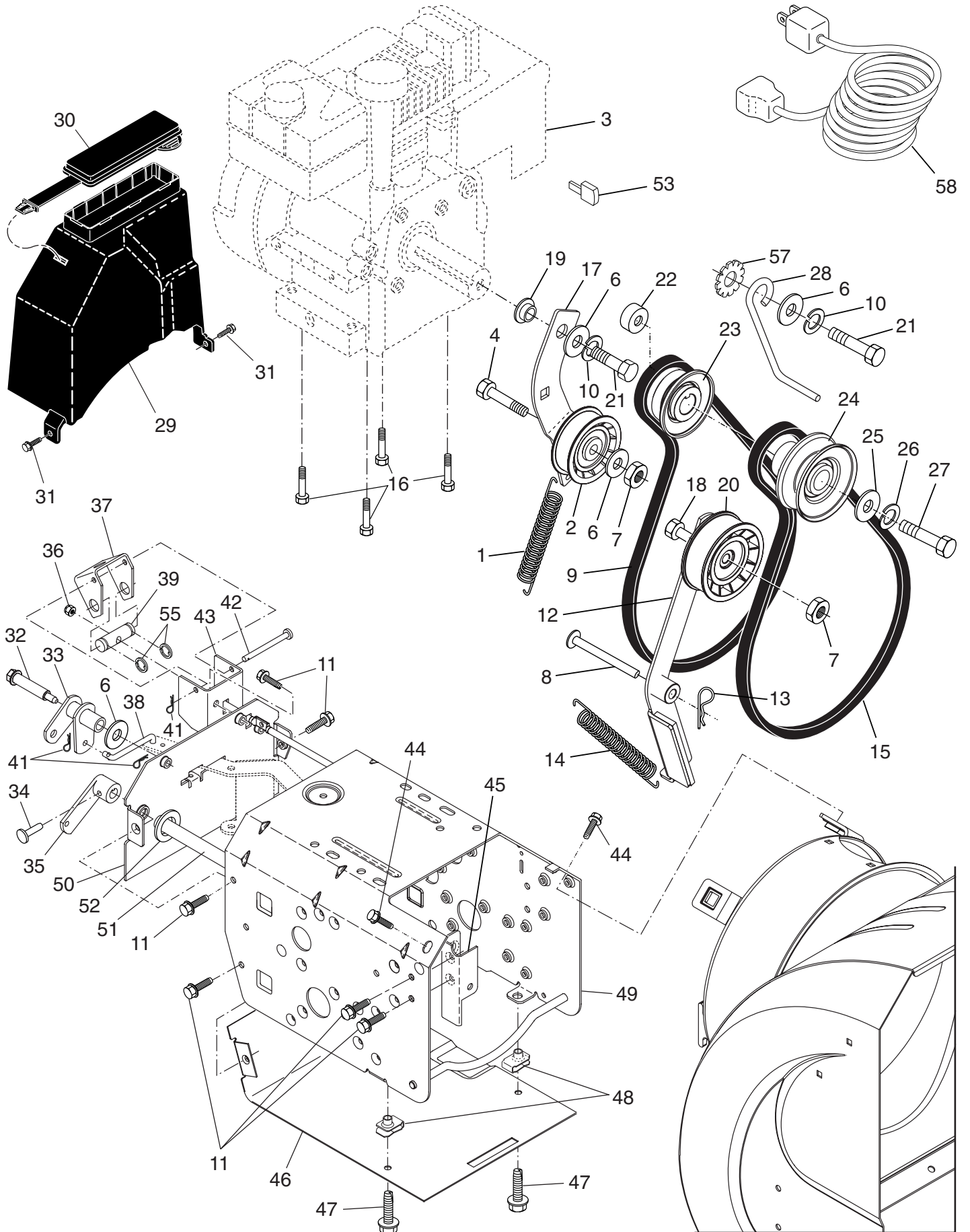
KEY NO.	PART NO.	DESCRIPTION
2	532 75 11-53	Nut, Lock 5/16-18
4	<b>817 49 05-08</b>	Screw, Hex Head 5/16-18 x 1/2
5	532 18 00-17	Bearing, Flange
6	532 18 01-34	Shaft, Auxiliary
7	532 17 92-70	Spacer, Plate
8	532 19 29-07	Plate, Auxiliary
9	532 18 00-82	Gear, Intermediate (12/58)
10	532 18 00-65	Gear, Pinion
11	532 18 77-14	Rod, Clutch
12	532 18 00-66	Shaft, Long, Hex
13	<b>532 12 88-07</b>	Pin, Pivot
14	532 18 40-80	Lever, Shifter / Wheel
15	532 17 53-44	Trunnion Bearing Assembly
16	532 18 78-57	Bracket, Pivot, Shift
17	532 17 98-31	Ring, Rubber Wheel
18	532 19 95-09	Plate, Rubber Wheel
19	<b>873 93 05-00</b>	Nut, Lock 5/16-18
20	532 17 86-13	Hub, Rubber Wheel
21	874 76 05-14	Screw, Hex Head 5/16-18 x 7/8
22	532 08 51-79	Retainer, Hairpin
23	532 18 01-35	Spring, Bias
24	532 18 00-81	Gear, Axle (58 Teeth)
25	532 17 86-95	Pin, Pivot Lever
26	532 19 77-63	Plate Assembly, Drive
27	532 40 49-23	Shaft, Axle
28	532 19 77-64	Shaft, Short Hex
29	532 18 40-77	Lever, Shifter Plate
30	532 18 40-76	Bracket, Shifter Support
31	872 27 05-05	Bolt, Carriage 5/16-18 x 5/8
32	<b>532 18 92-82</b>	Key, Square 1/4 x 1/4 x 7/8
33	532 18 89-09	Bearing, Flange
34	532 18 40-75	Plate, Drive Mounting
35	532 18 25-04	Spacer, Bearing
36	532 19 10-80	Pulley, Traction Drive
37	<b>532 15 53-77</b>	Nut, Lock 5/16-18
38	819 11 15-07	Washer, Flat
39	<b>810 04 05-00</b>	Washer, Lock 5/16
40	874 95 05-12	Screw, Hex Head 5/16-18 x 3/4
41	812 00 00-12	Ring, Retaining
43	532 17 90-95	Spring, Return
44	532 18 42-06	Pin, Roll

**NOTE:** All component dimensions given in U.S. inches. 1 inch = 25.4 mm**IMPORTANT:** Use only Original Equipment Manufacturer (O.E.M.) replacement parts. Failure to do so could be hazardous, damage your snow thrower and void your warranty.

# REPAIR PARTS

# CHASSIS / ENGINE / PULLEYS

SNOW THROWER - MODEL NO. 10527SBE (96193001603), PRODUCT NO. 961 93 00-16



# REPAIR PARTS

# CHASSIS / ENGINE / PULLEYS

SNOW THROWER - MODEL NO. **10527SBE** (96193001603), PRODUCT NO. 961 93 00-16

KEY PART NO.	KEY PART NO.	DESCRIPTION	KEY PART NO.	KEY PART NO.	DESCRIPTION
1	532 18 10-44	Spring, Traction Idler	28	532 15 54-52	Guide, Belt
2	532 18 05-22	Pulley, Idler (2-1/4)	29	532 19 22-13	Belt Cover Assembly (Includes Toolbox Cover)
3	- - -	Engine, Tecumseh, Model Number LH358SA (For engine service and replacement parts, call Tecumseh Products at 1-800-558-5402)	30	532 17 88-30	Cover, Toolbox
4	874 78 05-20	Screw, Hex Head 5/16-18 x 1-1/4	31	<b>817 49 04-08</b>	Screw, Hex Head 1/4-20 x 1/2
6	532 05 92-89	Washer, Flat	32	532 17 92-56	Bolt, Shoulder 5/16-18
7	873 93 05-00	Nut, Jam, Lock 5/16-18	33	532 18 78-53	Bellcrank Shifter
8	532 17 53-30	Pin, Idler Pivot	34	532 19 85-80	Clevis Pin
9	532 17 90-92	V-Belt, Traction Drive	35	532 40 54-85	Arm, Auger Control
10	<b>810 04 05-00</b>	Washer, Lock 5/16	36	873 80 05-00	Nut, Lock 5/16-18
11	<b>871 02 05-12</b>	Screw, Hex Head 5/16-18 x 1/2	37	532 18 40-86	Bellcrank
12	<b>532 41 04-20</b>	Impeller Arm	38	532 18 71-01	Link, Speed Control
13	532 08 51-79	Retainer, Hairpin	39	532 19 21-10	Trunnion, Pivot Bracket
14	532 17 88-28	Spring, Brake	41	532 70 02-79	Hairpin, Cotter 3/32 x 1/2
15	<b>532 40 80-10</b>	V-Belt, Impeller Drive	42	532 17 90-65	Pin, Bellcrank
16	532 15 04-06	Screw, Hex Head 3/8-16 x 1-1/4	43	532 18 40-85	Bracket, Bellcrank
17	532 18 48-04	Arm, Idler	44	817 00 06-16	Screw, Hex Head
18	874 78 05-24	Screw, Hex Head 5/16-18 x 1-1/2	45	532 18 40-74	Pivot Bracket, Impeller Idler Arm
19	532 17 53-31	Bushing, Idler Pivot	46	<b>532 18 40-84</b>	Pan, Frame Bottom
20	532 18 05-23	Pulley, Idler (2-3/4)	47	871 02 05-12	Screw, Hex Head 5/16-18 x 3/4
21	874 61 05-16	Screw, Hex Head 5/16-18 x 1	48	532 18 11-56	Nut, Speed 5/16-18
22	<b>532 40 94-25</b>	Spacer, Engine Pulley	49	532 40 76-42	Frame Assembly
23	532 18 04-78	Pulley, Engine, Traction Drive	50	532 18 80-02	Plate, Frame End
24	532 17 91-57	Pulley, Engine, Impeller Drive	51	532 40 61-09	Shaft, Auger Control
25	532 40 00-26	Washer, Flat 3/8	52	532 05 70-79	Washer, Hardened
26	532 85 02-63	Washer, Lock, Helical 3/8	53	<b>532 03 50-62</b>	Key
27	532 85 10-84	Screw, Hex Head 3/8-24 x 1-3/8	55	812 00 00-02	E-Ring
			57	811 05 05-00	Washer, Lock, External Tooth 5/16
			58	532 19 85-63	Power Cord

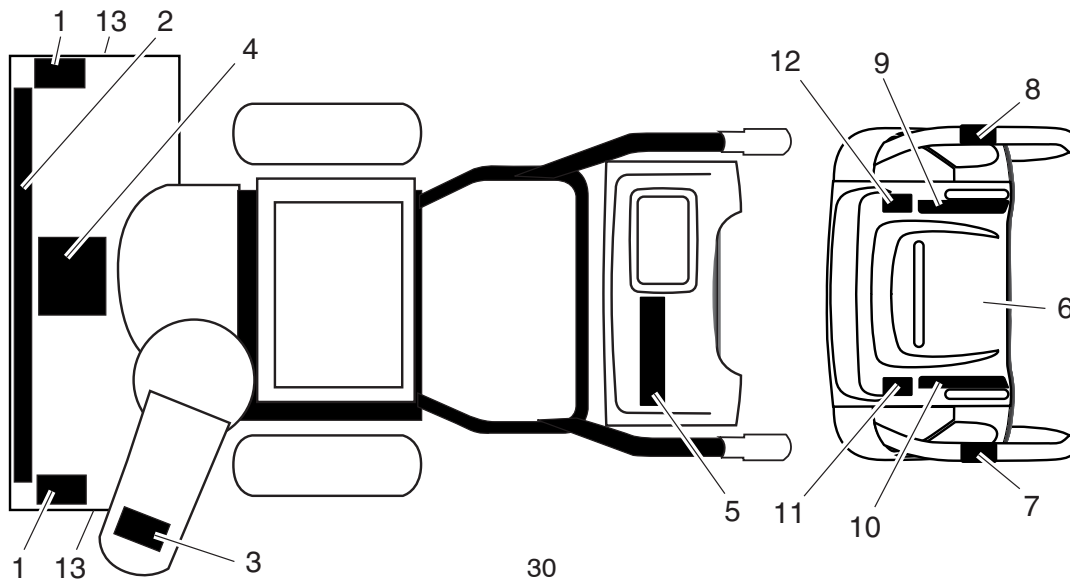
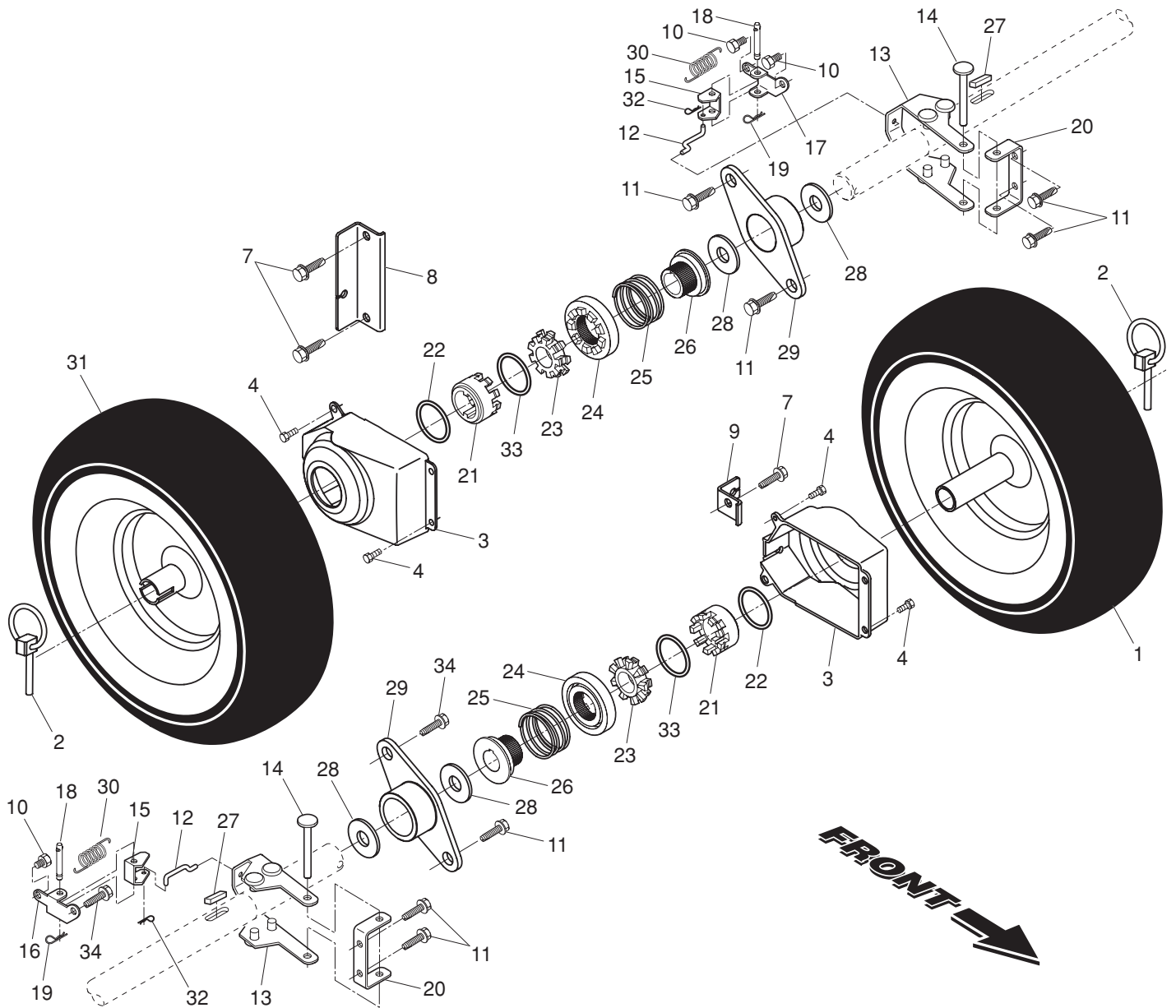
**NOTE:** All component dimensions given in U.S. inches. 1 inch = 25.4 mm

**IMPORTANT:** Use only Original Equipment Manufacturer (O.E.M.) replacement parts. Failure to do so could be hazardous, damage your snow thrower and void your warranty.

# REPAIR PARTS

# WHEELS / DECALS

SNOW THROWER - MODEL NO. 10527SBE (96193001603), PRODUCT NO. 961 93 00-16



# REPAIR PARTS

# WHEELS / DECALS

SNOW THROWER - MODEL NO. **10527SBE** (96193001603), PRODUCT NO. 961 93 00-16

KEY PART NO.	KEY PART NO.	DESCRIPTION	KEY PART NO.	KEY PART NO.	DESCRIPTION
1	532 19 95-01	Wheel Assembly, 16", Power Steering, LH	18	532 18 18-47	Pin, Steering Bellcrank
2	532 15 54-43	Pin, Klik 1/4	19	532 08 51-79	Retainer, Hairpin
3	532 40 51-61	Cover, Power Steering	20	532 18 41-97	Bracket, Steering
4	532 18 44-71	Bolt, Shoulder #10-24 x 5/8	21	532 19 21-26	Driver, Wheel
7	<b>817 49 05-08</b>	Capscrew, Hex Head, Flanged 3/8-16 x 1	22	532 18 24-66	Ring, Wire Retainer
8	532 18 78-59	Bracket, Steering Cable, RH	23	532 18 76-22	Lobe, Wheel
9	532 18 78-58	Bracket, Steering Cable, LH	24	532 19 49-41	Slide, Clutch
10	817 60 04-06	Screw, Hex Head 1/4-20 x 3/8	25	532 17 91-39	Spring, Clutch Slide
11	<b>817 49 05-08</b>	Screw, Hex Head 5/16-18 x 1/2	26	532 19 49-40	Lobe, Axle
12	<b>532 40 50-77</b>	Link, Steering Lever	27	532 18 92-82	Key, Square
13	<b>532 19 59-19</b>	Yoke, Steering	28	532 17 46-97	Washer, Thrust (1")
14	532 18 20-15	Pin, Steering Lever	29	532 17 98-30	Bearing, Axle
15	532 19 95-18	Bellcrank	30	532 19 38-85	Spring, Return
16	532 19 95-12	Bracket Assembly, LH Steering	31	532 19 95-02	Wheel Assembly, 16", Power Steering, RH
17	532 19 95-11	Bracket Assembly, RH Steering	32	532 70 02-79	Clip, Retainer
			33	812 00 00-45	Ring, Retaining
			34	532 14 63-15	Screw, Hex Head 5/16-18 x 5/8

KEY PART NO.	KEY PART NO.	DESCRIPTION
1	<b>532 18 10-37</b>	Decal, Danger
2	<b>532 41 47-45</b>	Decal, Husqvarna
3	<b>532 18 10-35</b>	Decal, Danger, Deflector
4	<b>532 18 10-42</b>	Decal, Danger
5	<b>532 41 47-46</b>	Decal, Husqvarna, 10527SBE
6	<b>532 18 10-33</b>	Decal, Instruction
7	532 15 57-98	Decal, Traction Lever
8	532 15 58-00	Decal, Auger Lever
9	<b>532 41 54-75</b>	Decal, Speed Control
10	<b>532 18 37-30</b>	Decal, Remote Deflector
11	<b>532 41 53-99</b>	Decal, LH Trigger
12	<b>532 41 53-98</b>	Decal, RH Trigger
13	532 15 57-94	Decal, Husqvarna, Crown

**NOTE:** All component dimensions given in U.S. inches. 1 inch = 25.4 mm  
**IMPORTANT:** Use only Original Equipment Manufacturer (O.E.M.) replacement parts.  
Failure to do so could be hazardous, damage your snow thrower and void your warranty.